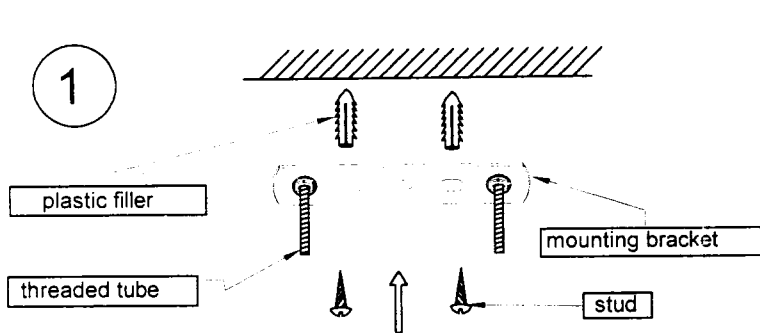
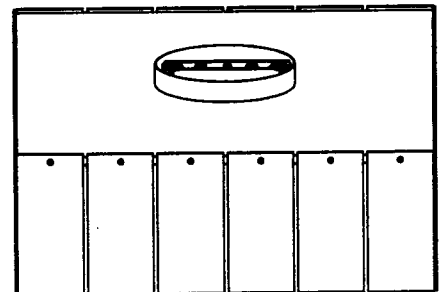
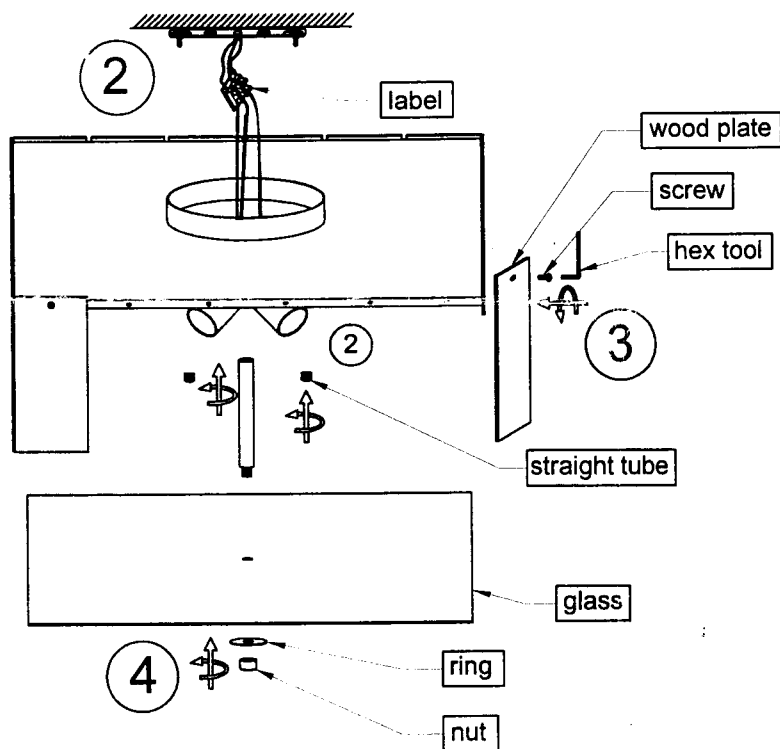


DC-21154-W



- 1 fix the mounting bracket to the ceiling with the studs and plastic fillers



- 2 connect the wires according to the label "L \oplus N" and then attach the canopy onto the mounting bracket by screwing the bolts into the threaded holes.
- 3 fix the wood plate on the frame, not tighted is better.
- 4 fix the straight tube to the frame, position the glass and tight it by a nut.