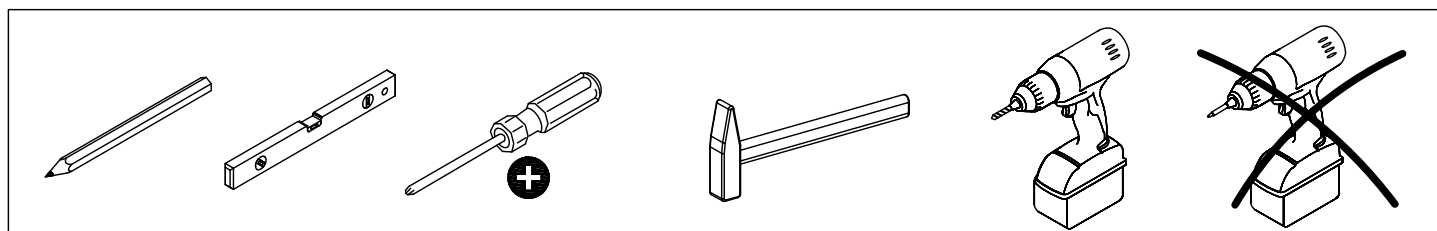
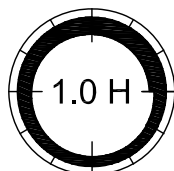
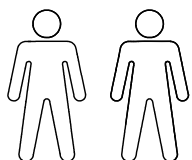
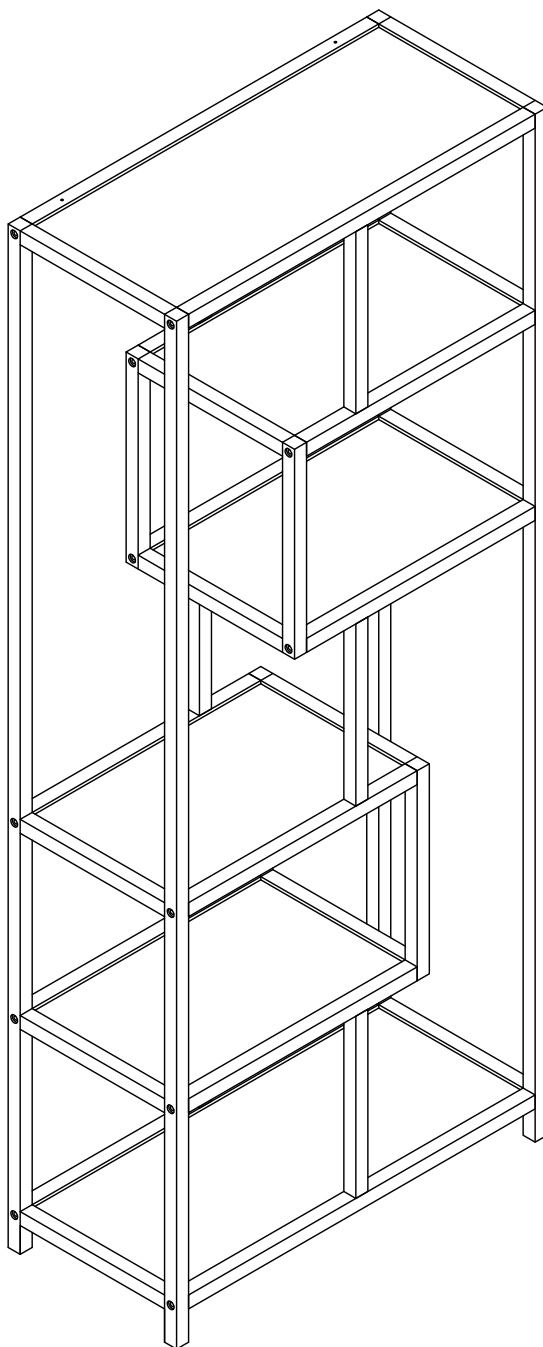
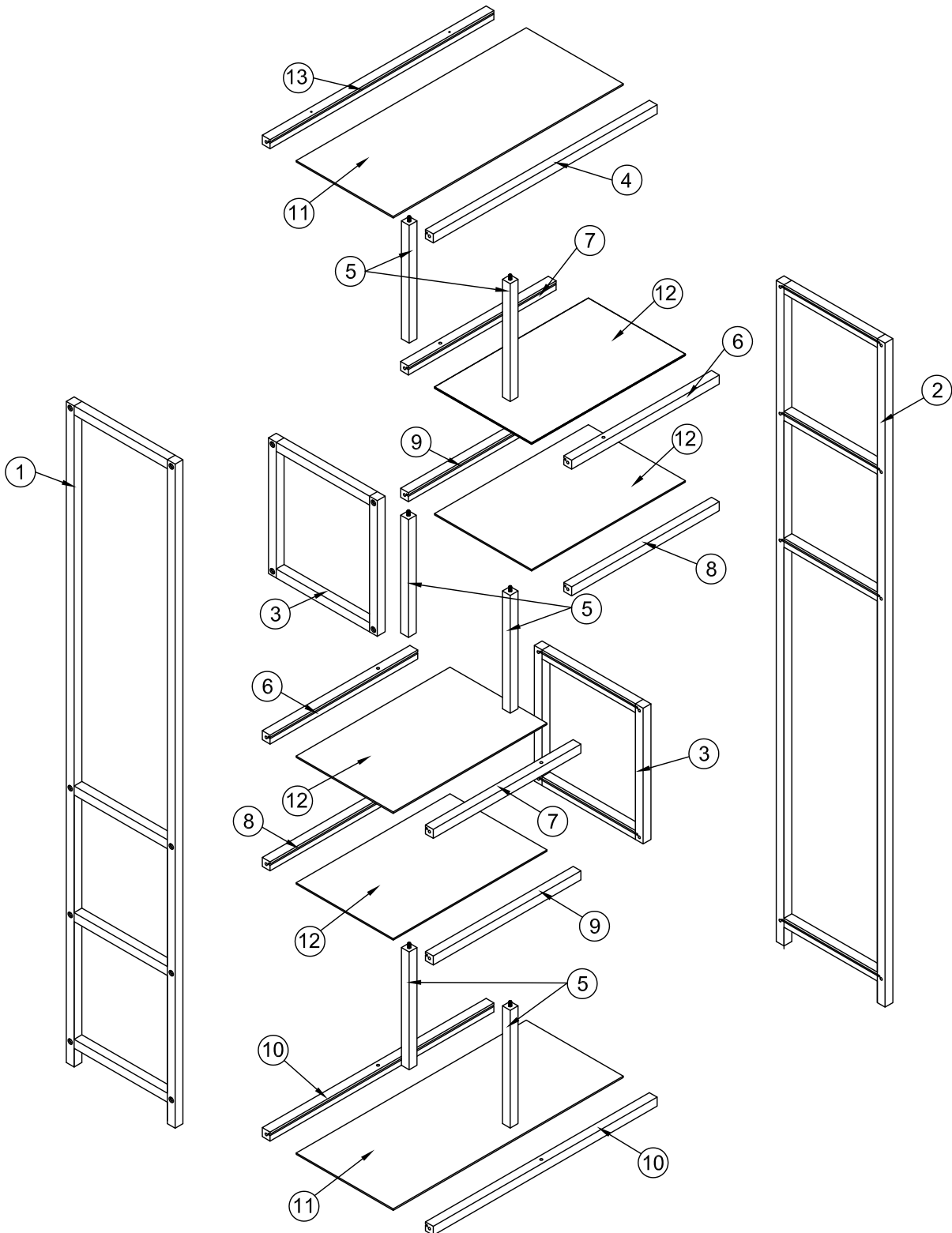


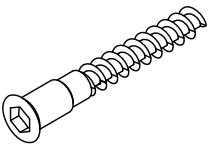
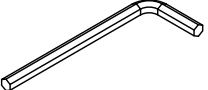
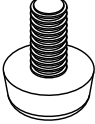
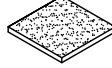

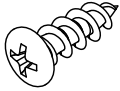
MOSO



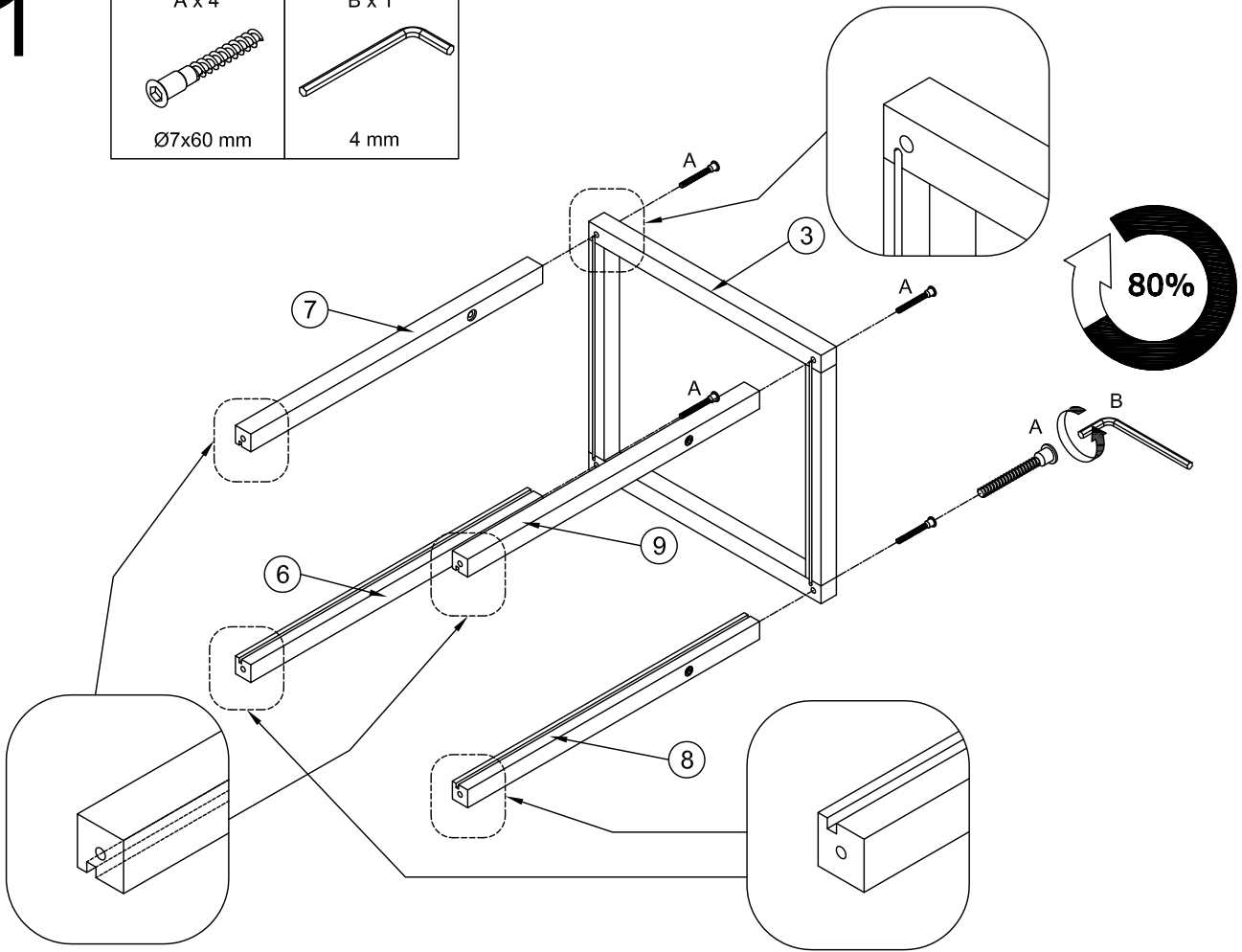
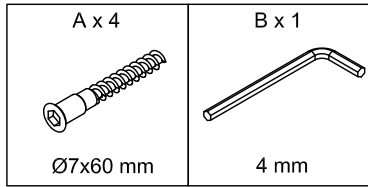
			✓
①	1	1850x350x25	
②	1	1850x350x25	
③	2	380x350x25	
④	1	720x25x25	
⑤	6	326x25x25	
⑥	2	475x25x25	
⑦	2	475x25x25	

			✓
⑧	2	475x25x25	
⑨	2	475x25x25	
⑩	2	720x25x25	
⑪	2	729x309x12	
⑫	4	484x309x12	
⑬	1	720x25x25	

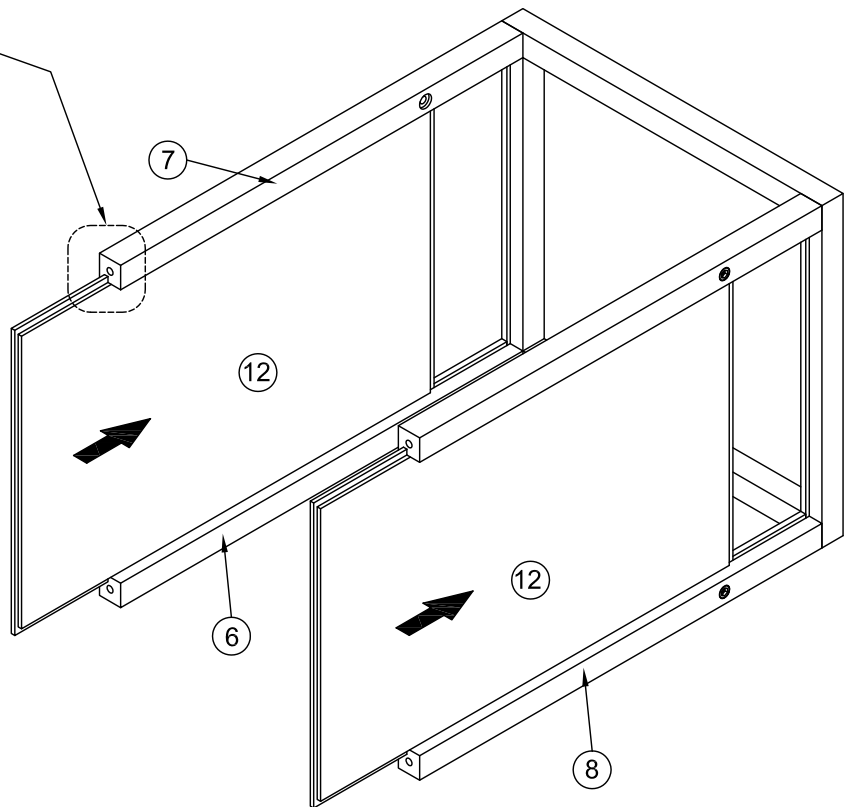
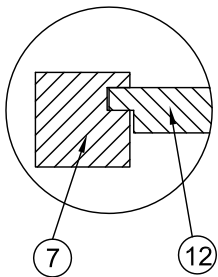
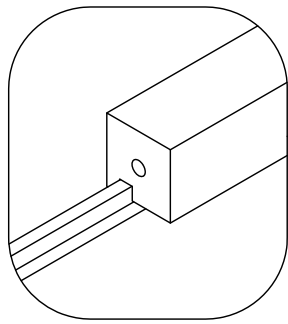


<p>A x 30</p>  <p>Ø7x60 mm</p>	<p>B x 1</p>  <p>4 mm</p>	<p>C x 2</p>  <p>Ø15x20 mm</p>	<p>D x 2</p>  <p>22x22x3 mm</p>	<p>E x 2</p>  <p>142x19 mm</p>
<p>F x 2</p>  <p>Ø4x16 mm</p>				

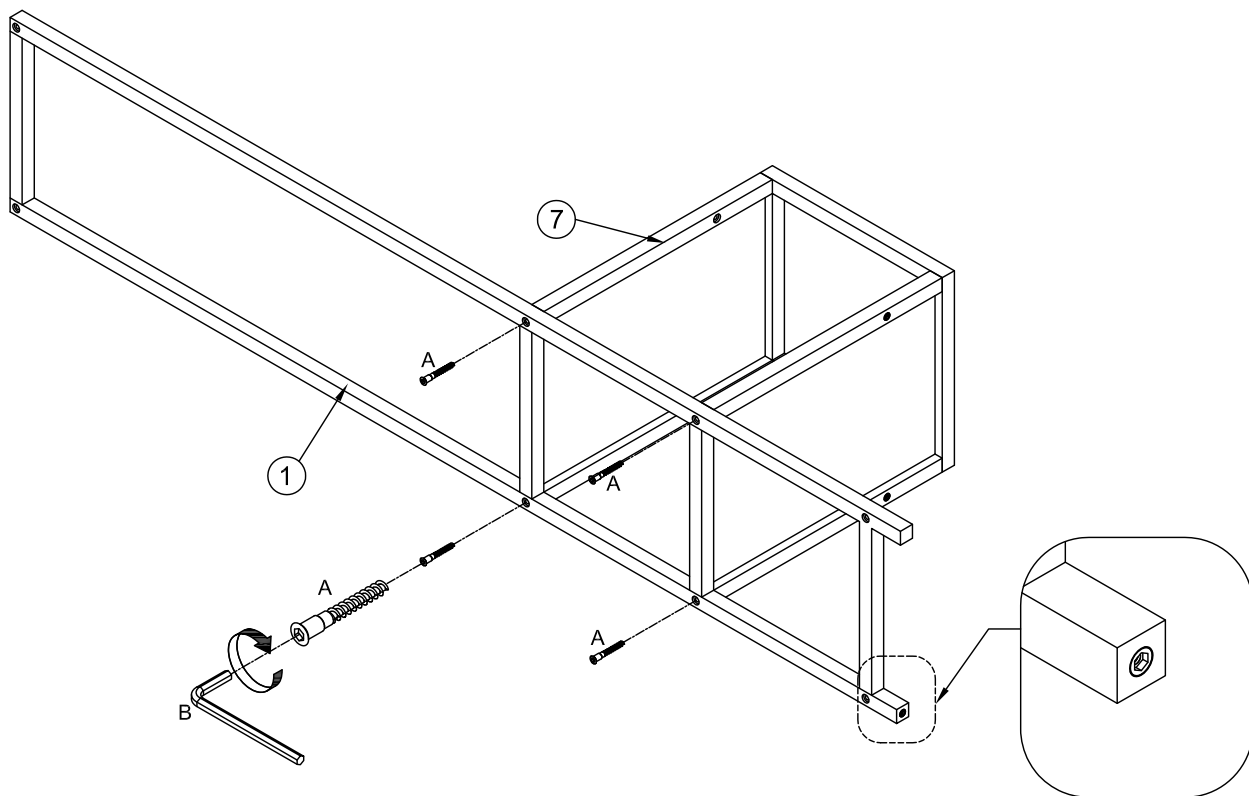
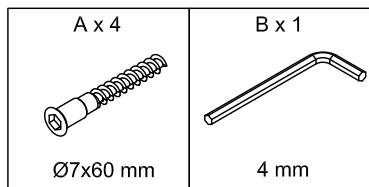
1



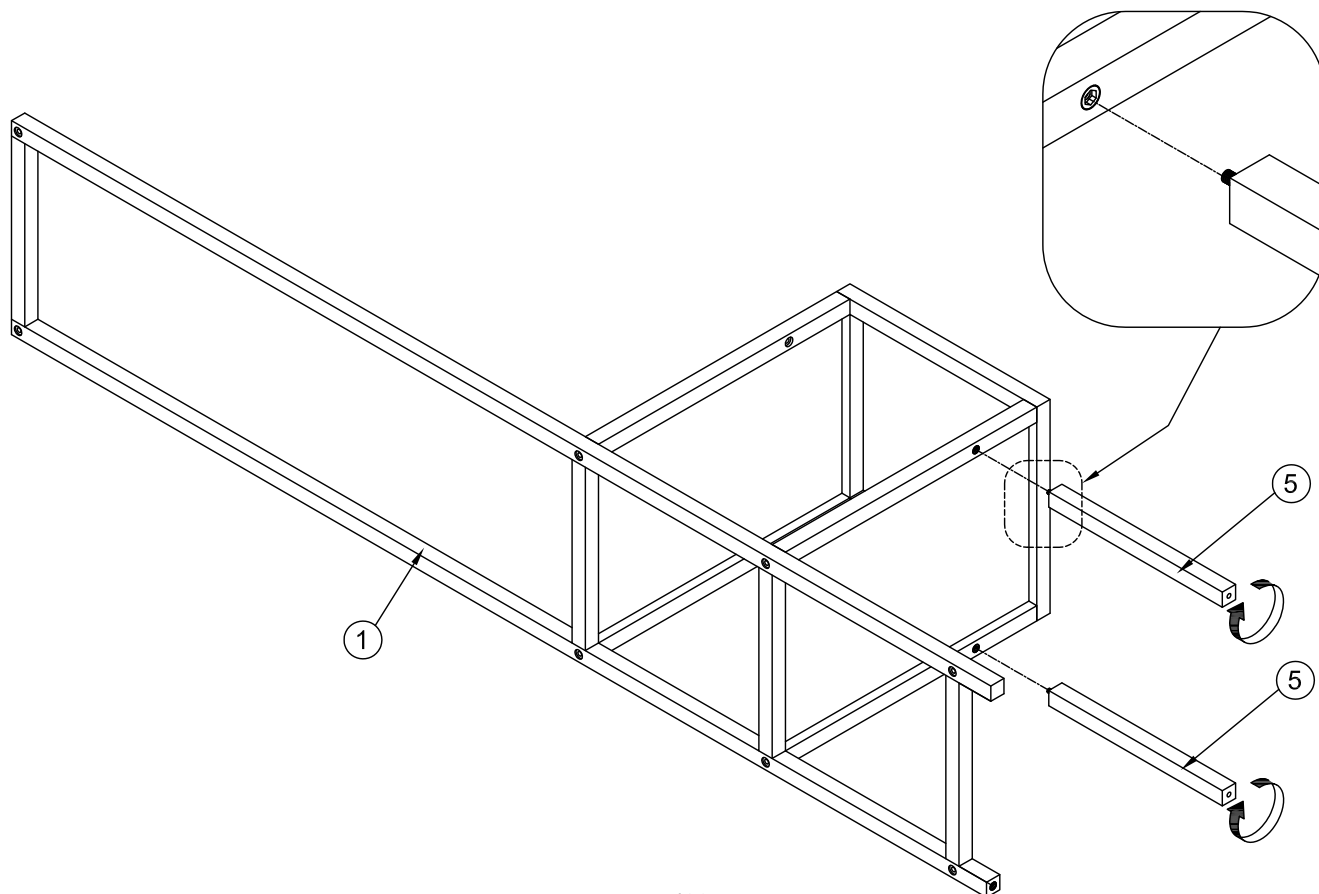
2



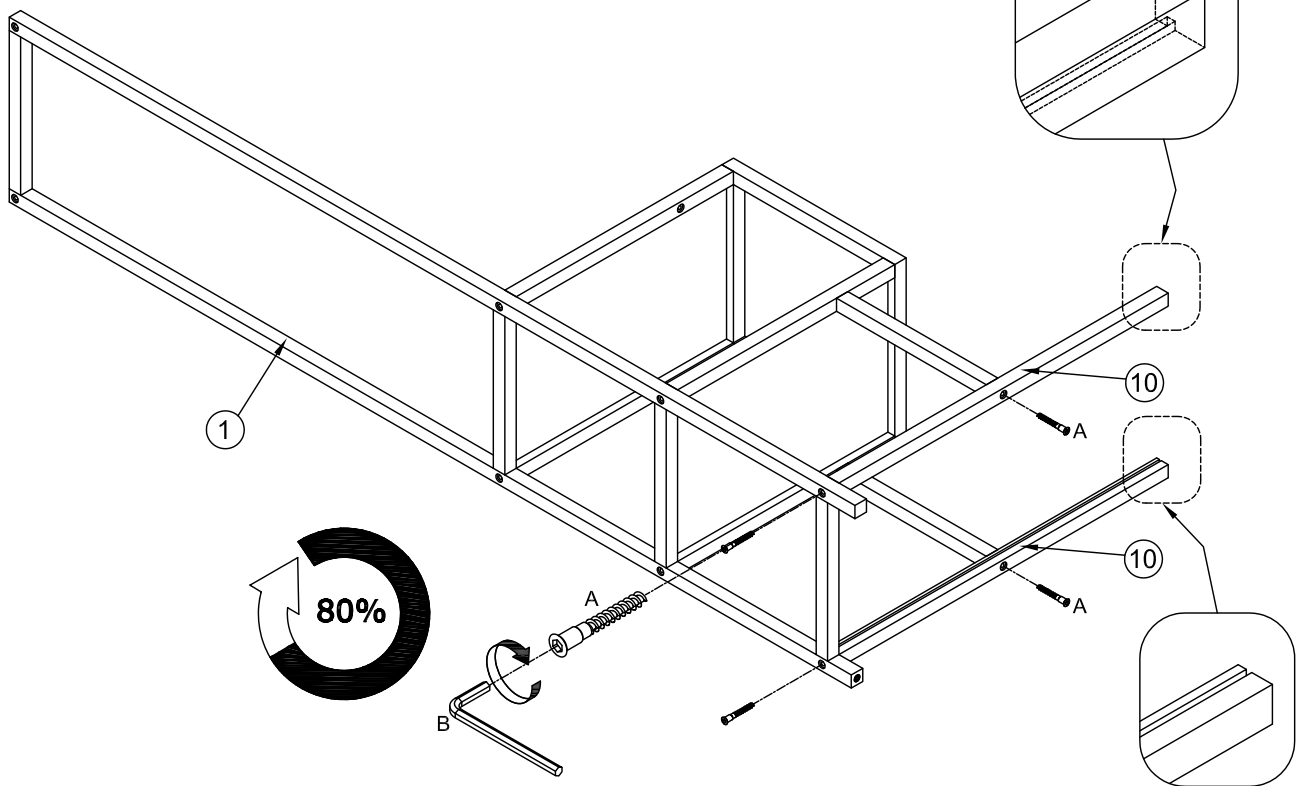
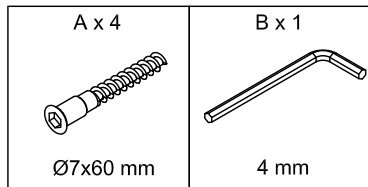
3



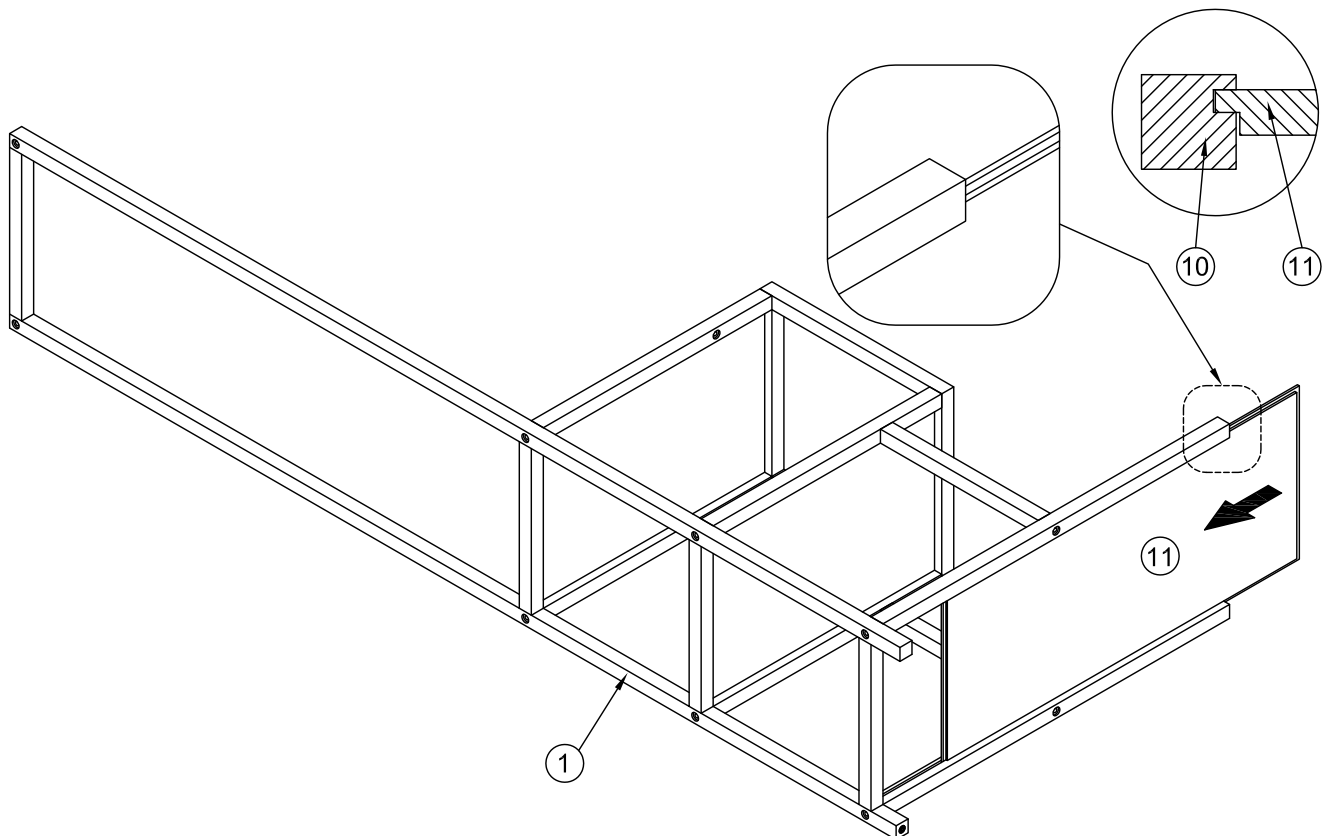
4



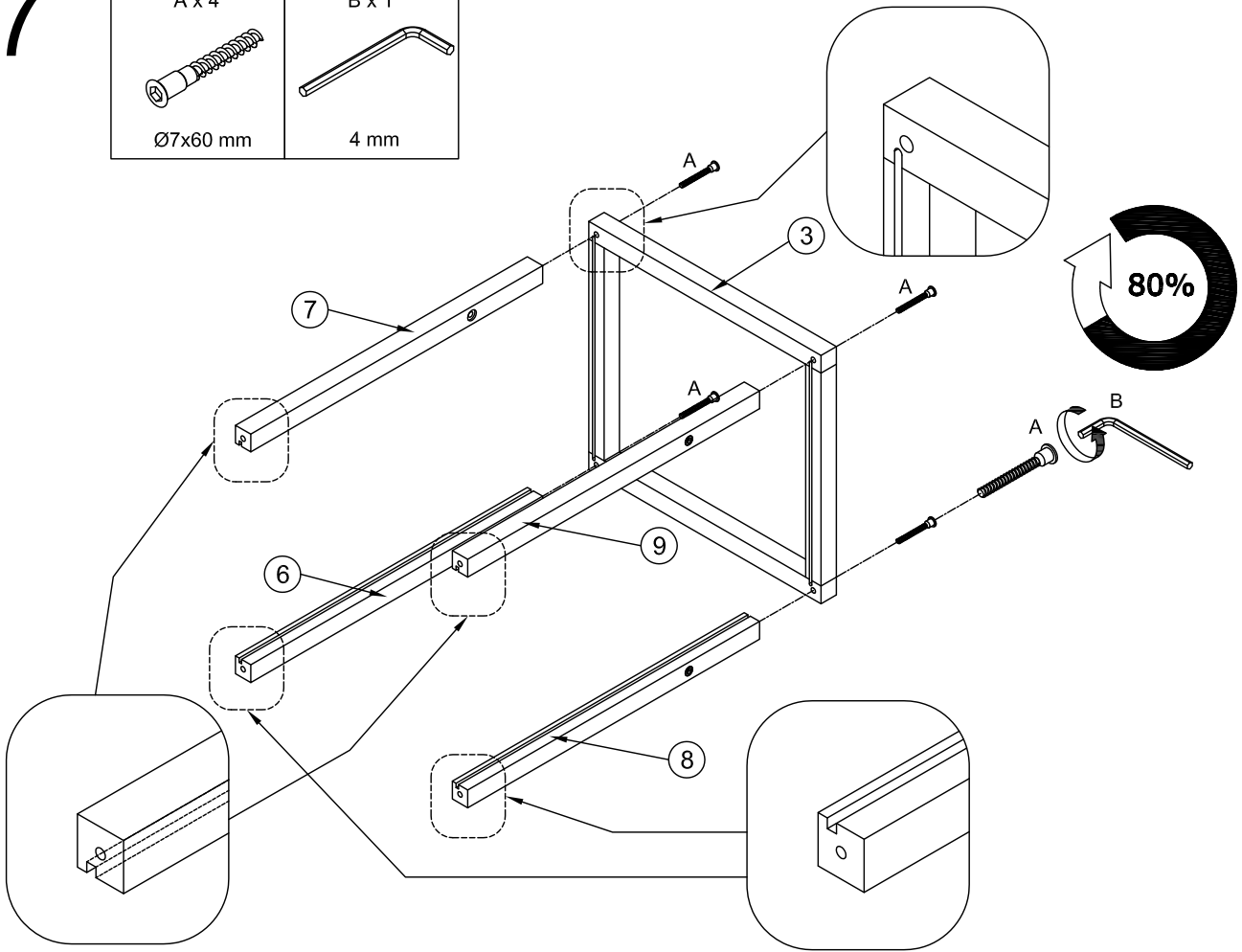
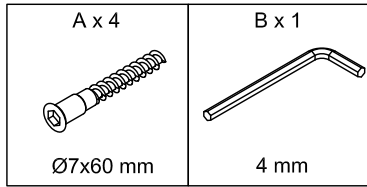
5



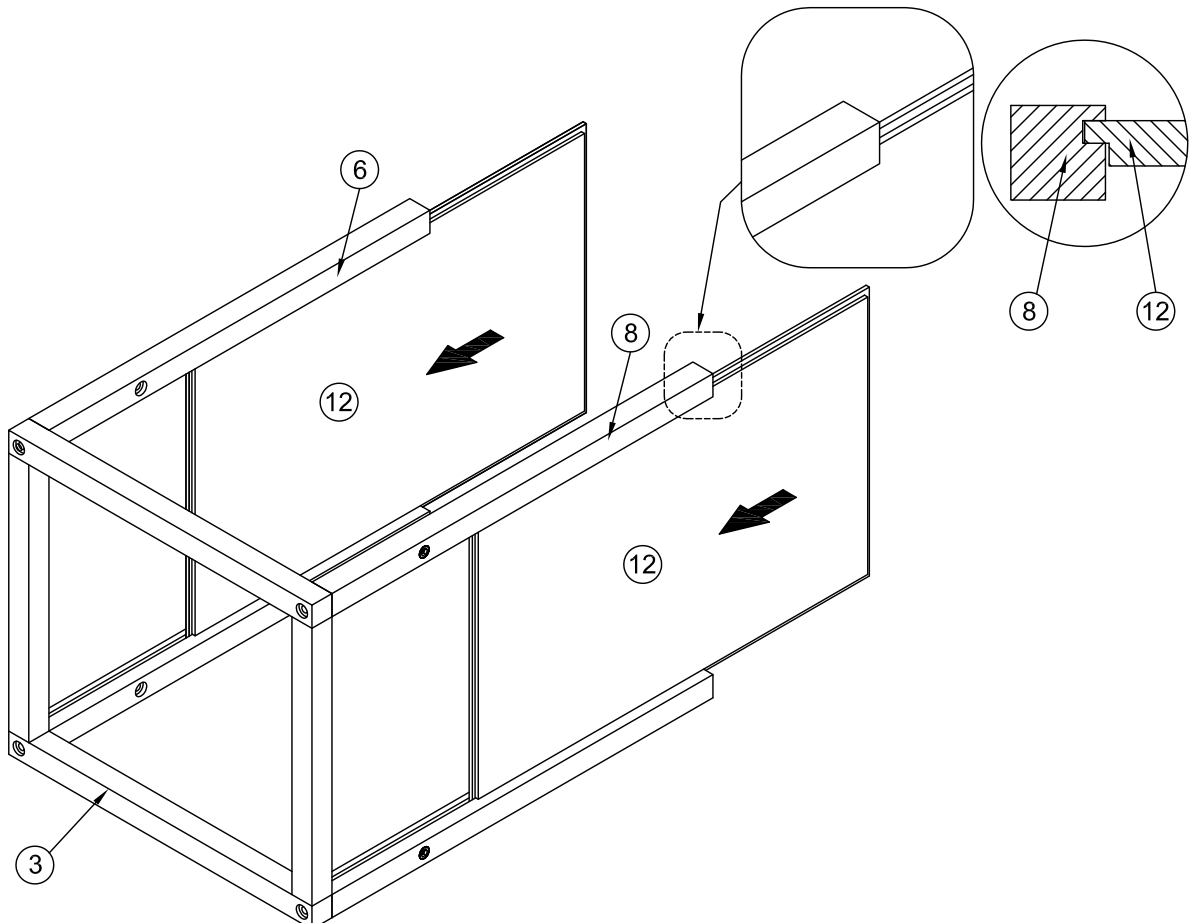
6



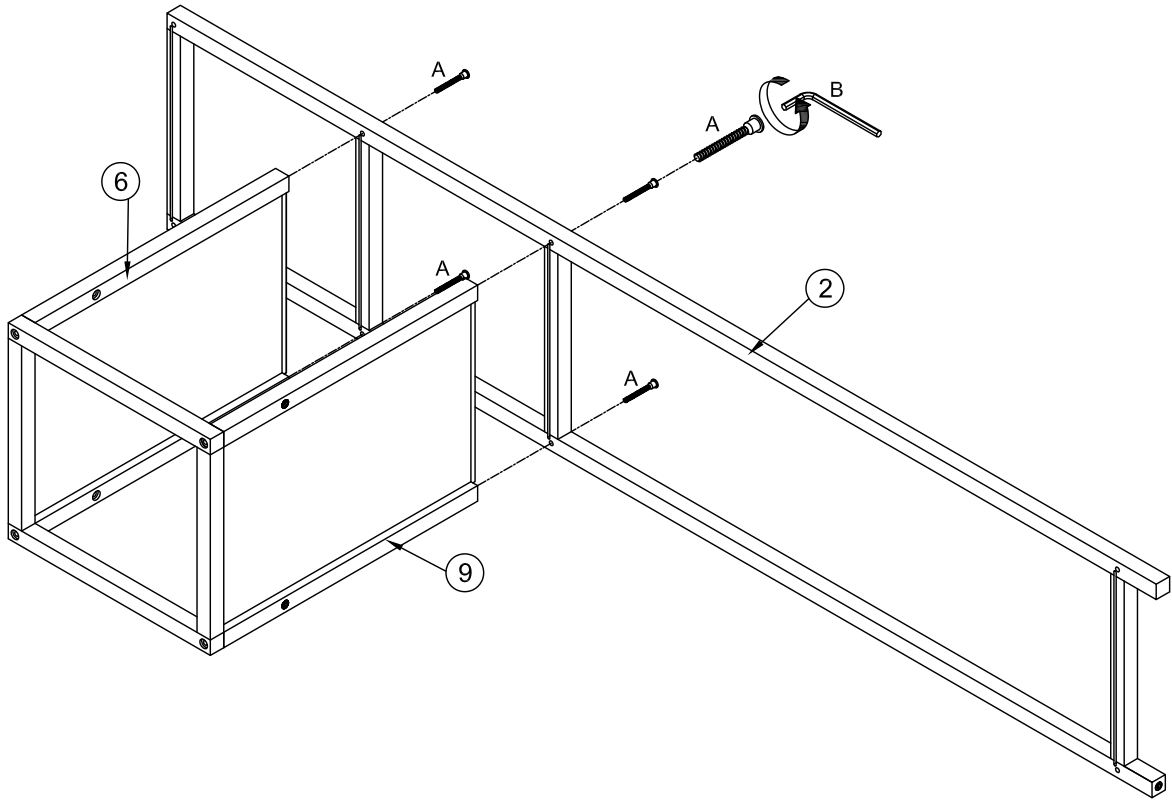
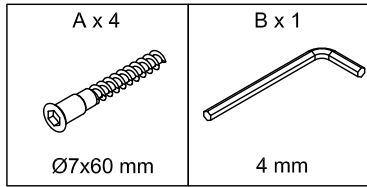
7



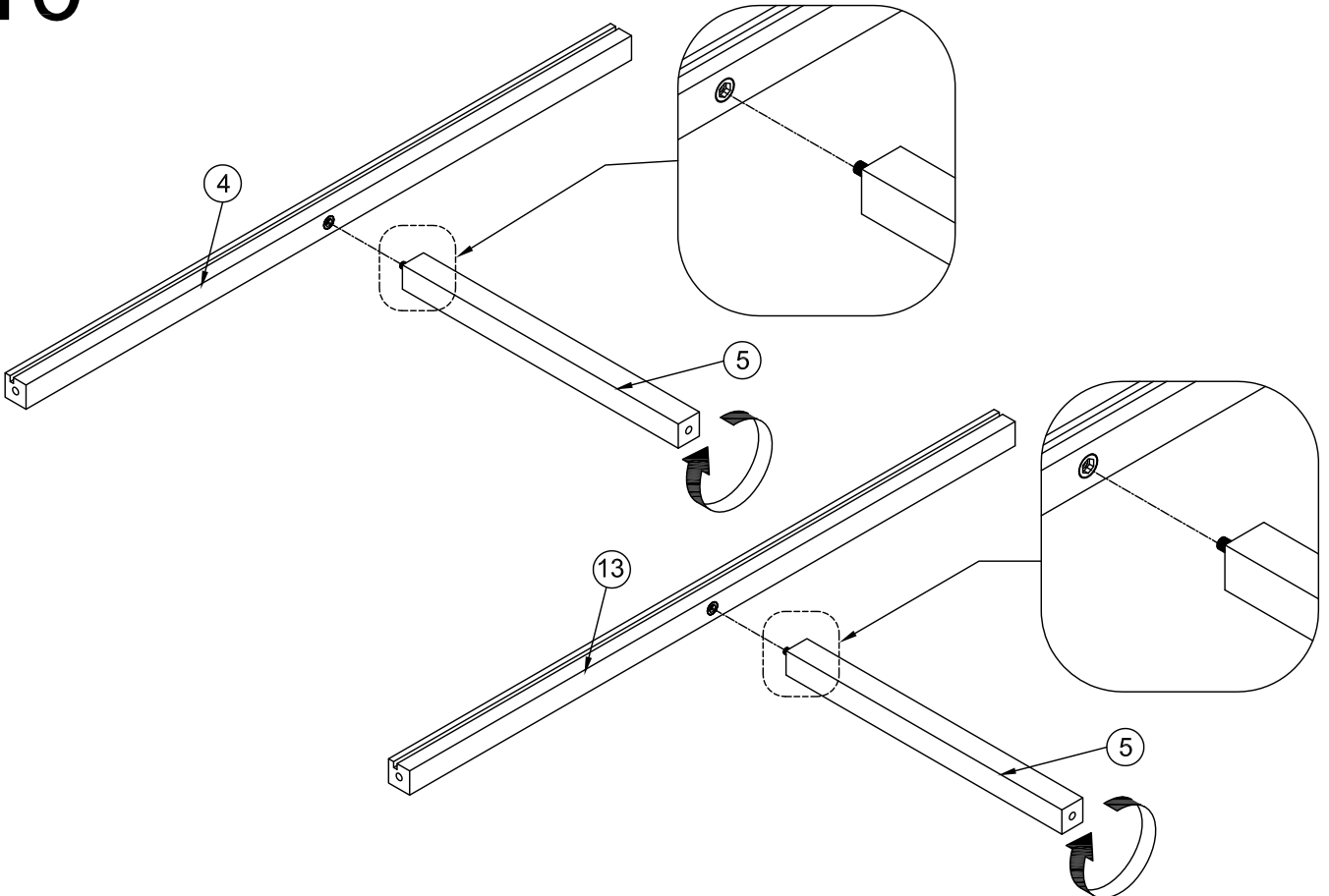
8



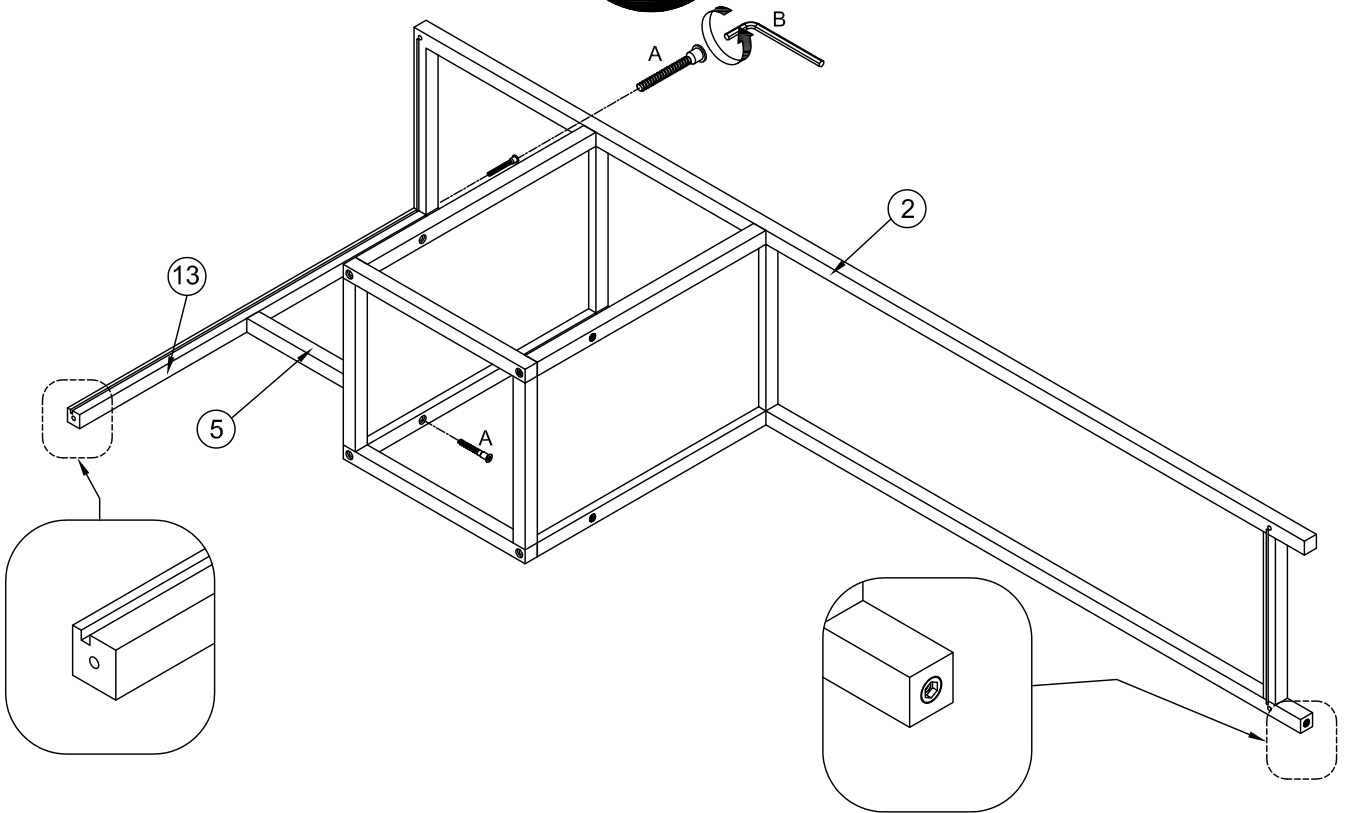
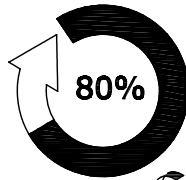
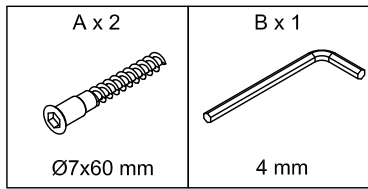
9



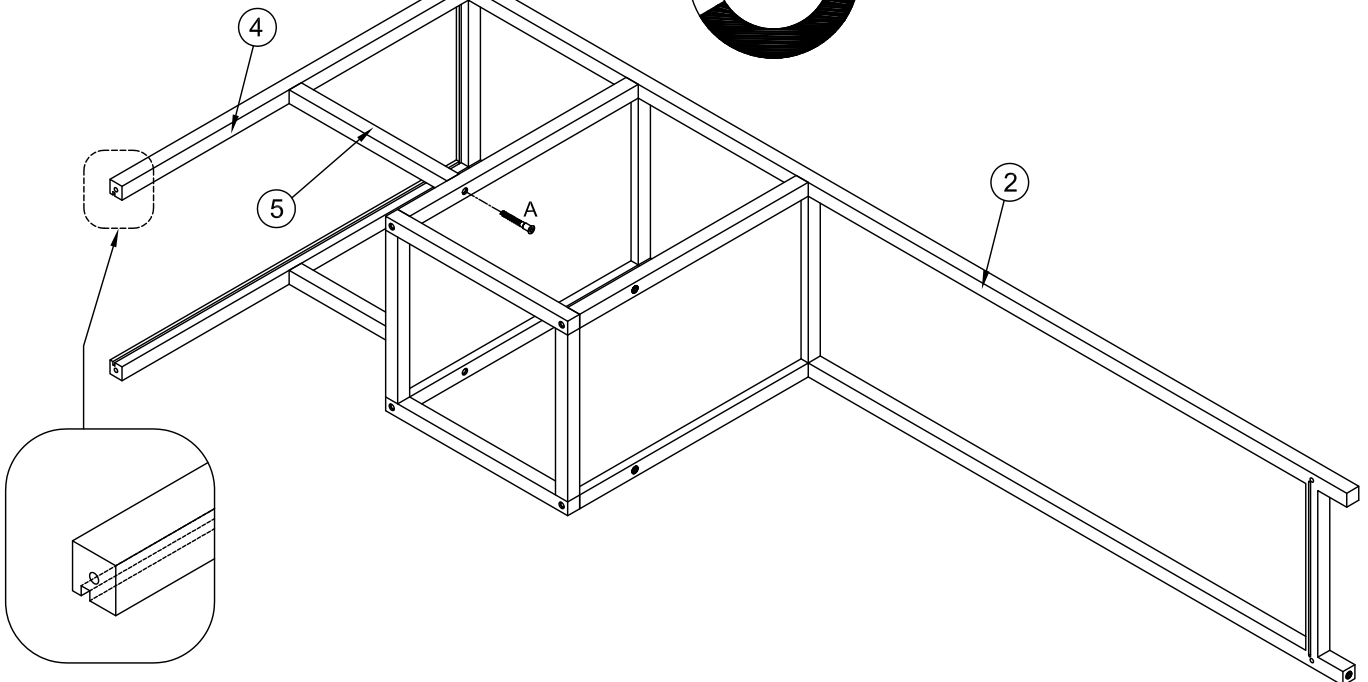
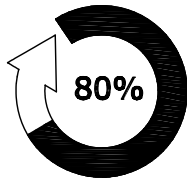
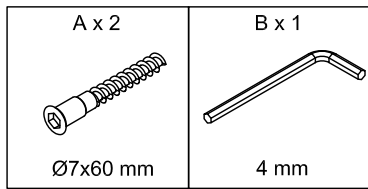
10



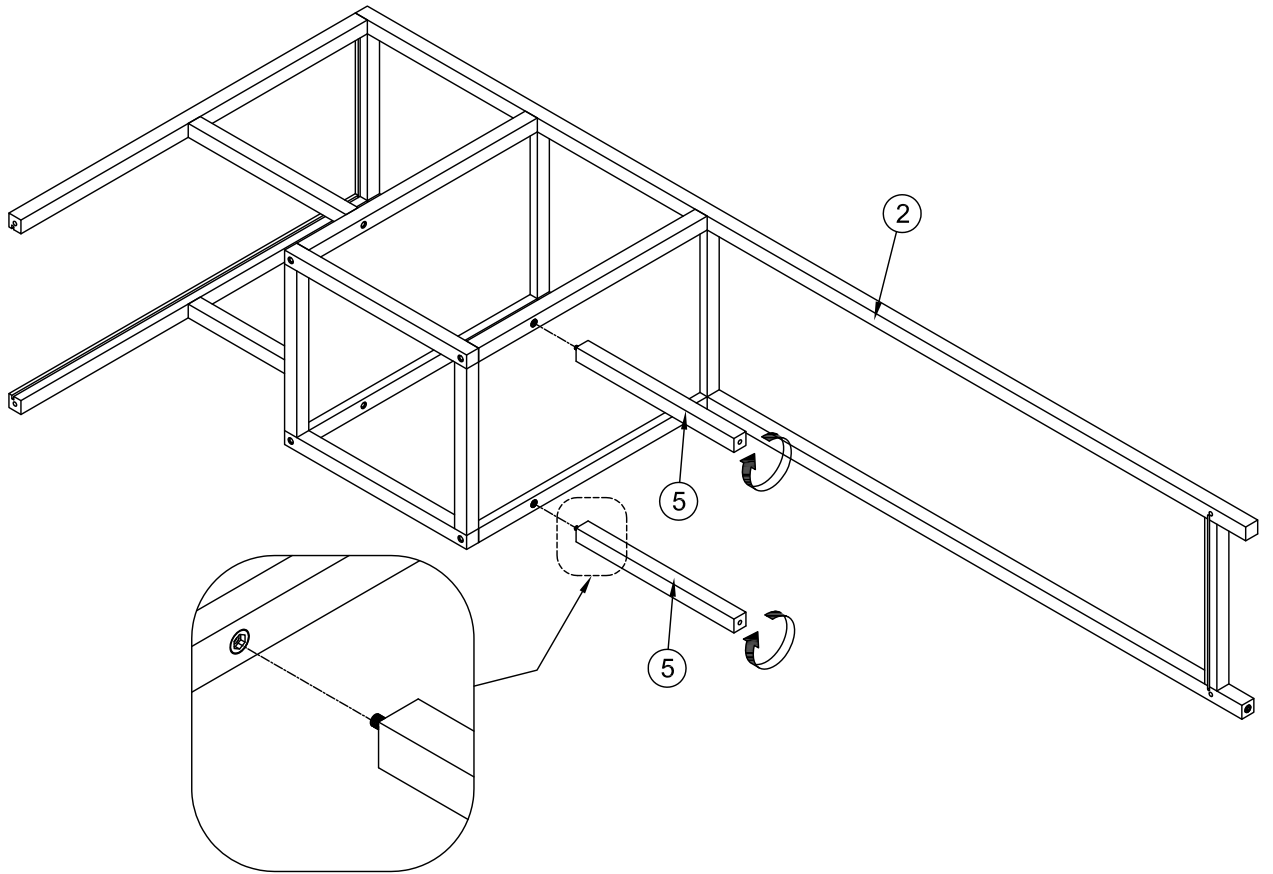
11



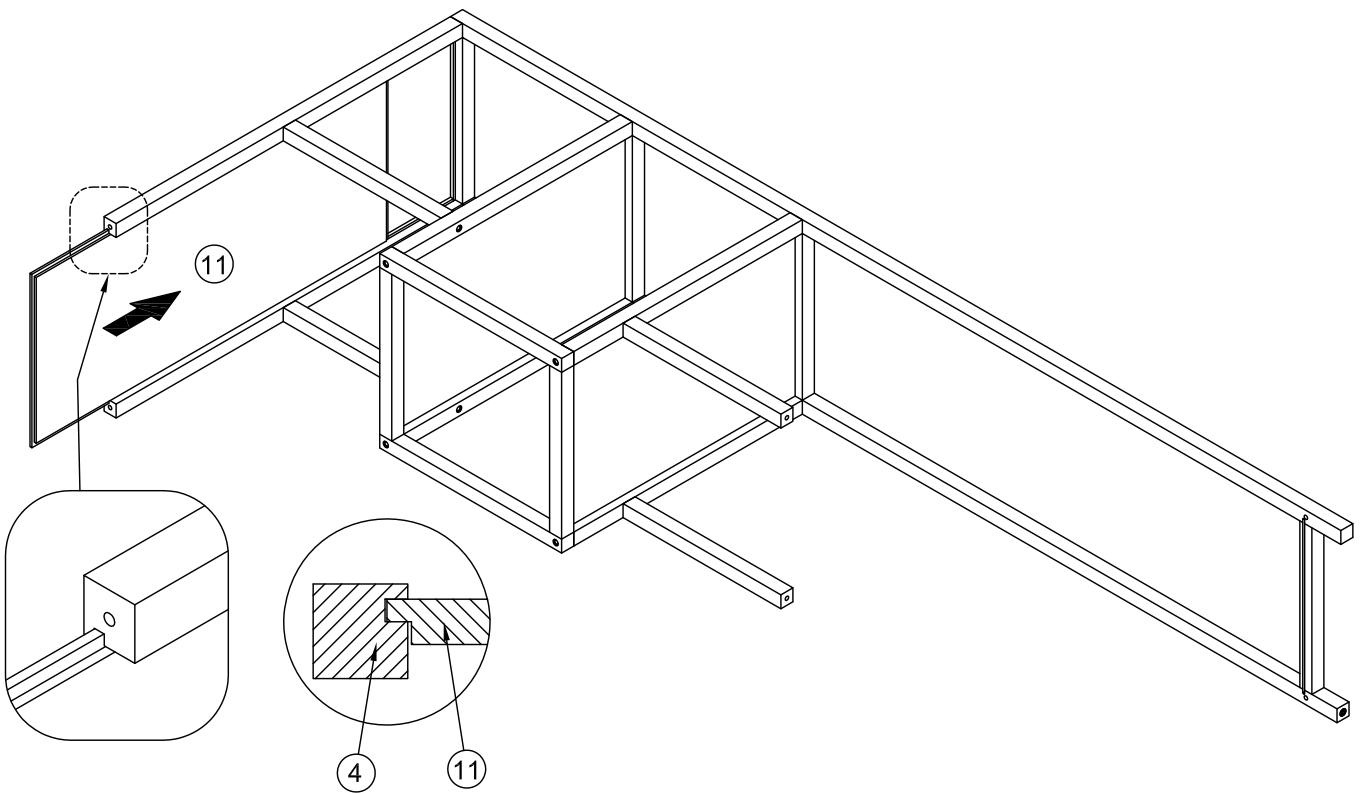
12



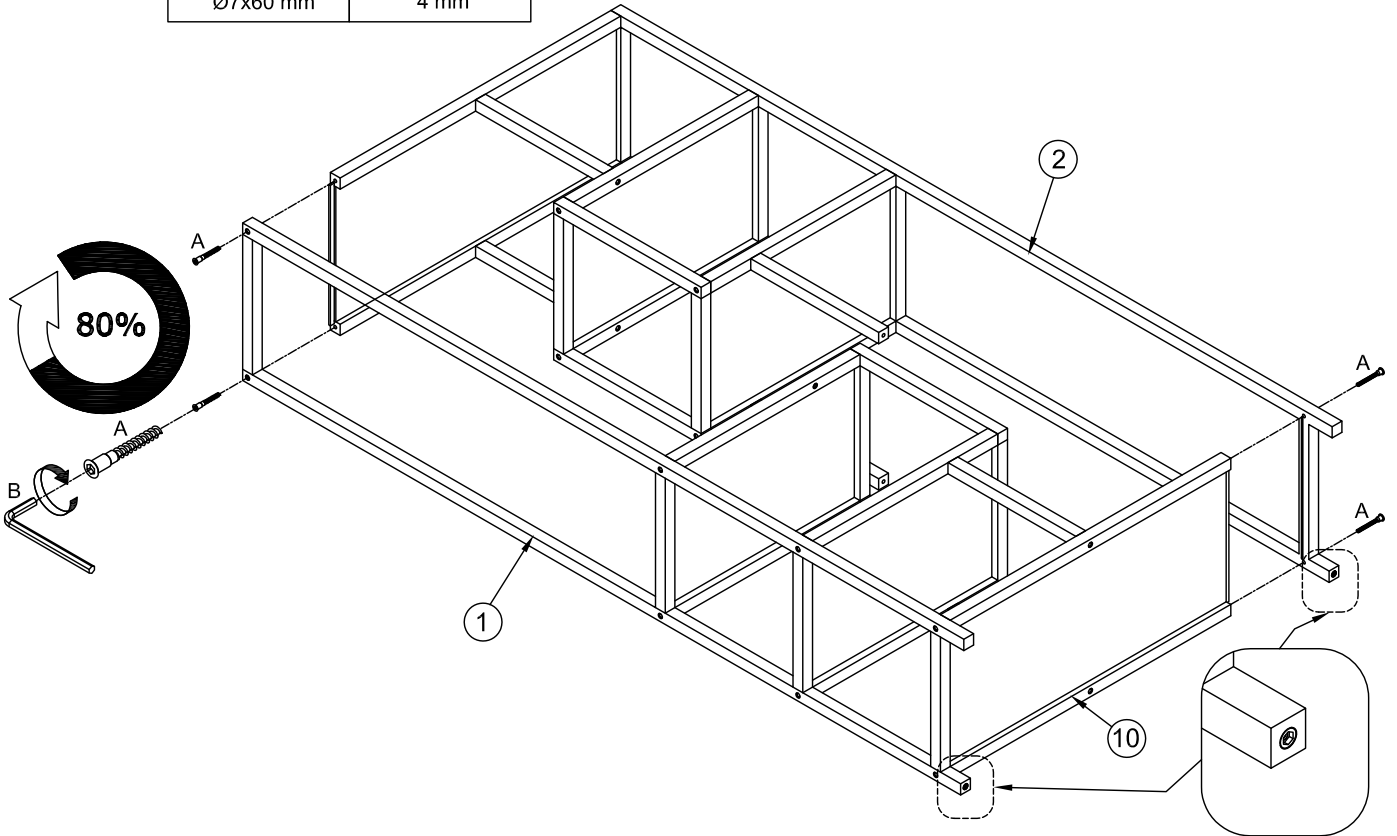
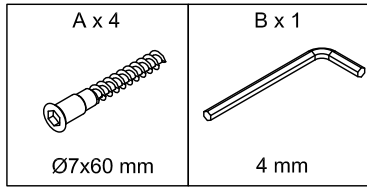
13



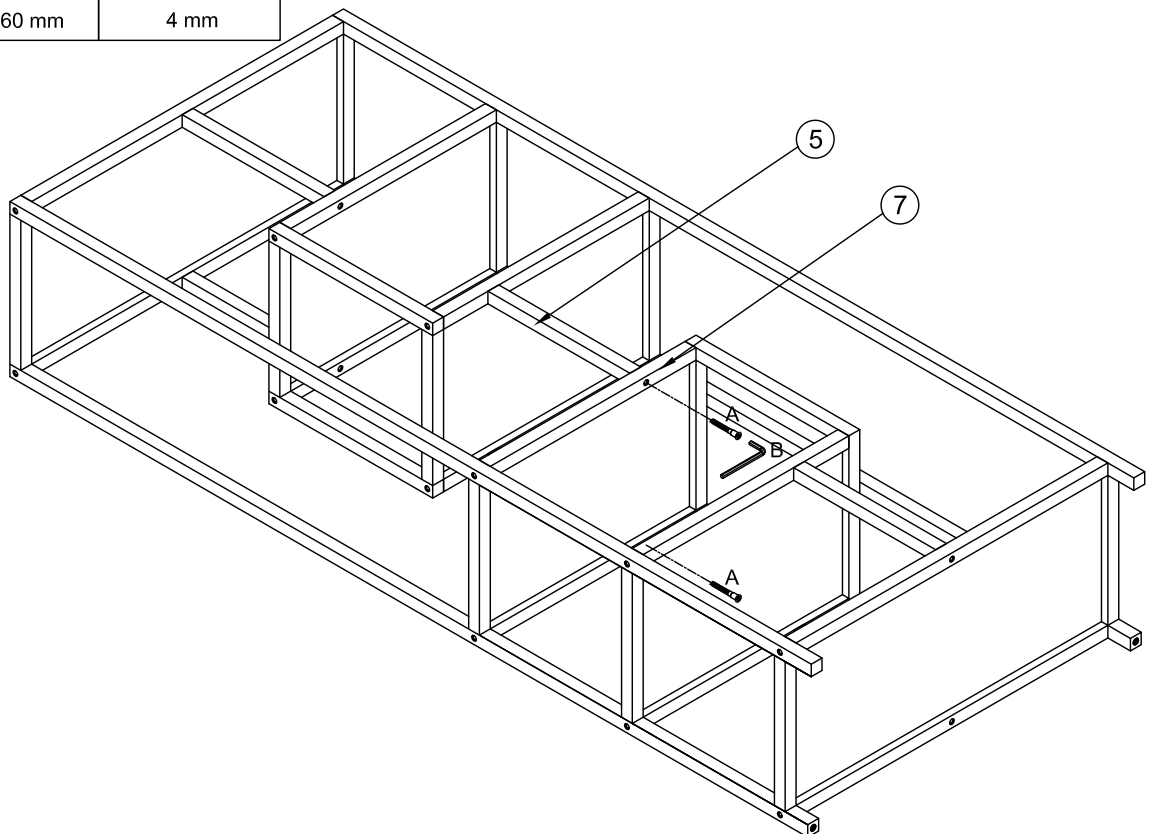
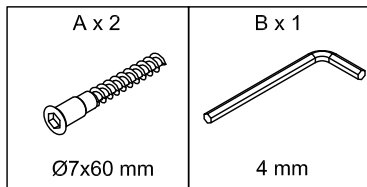
14



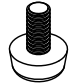

15

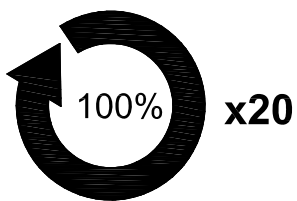
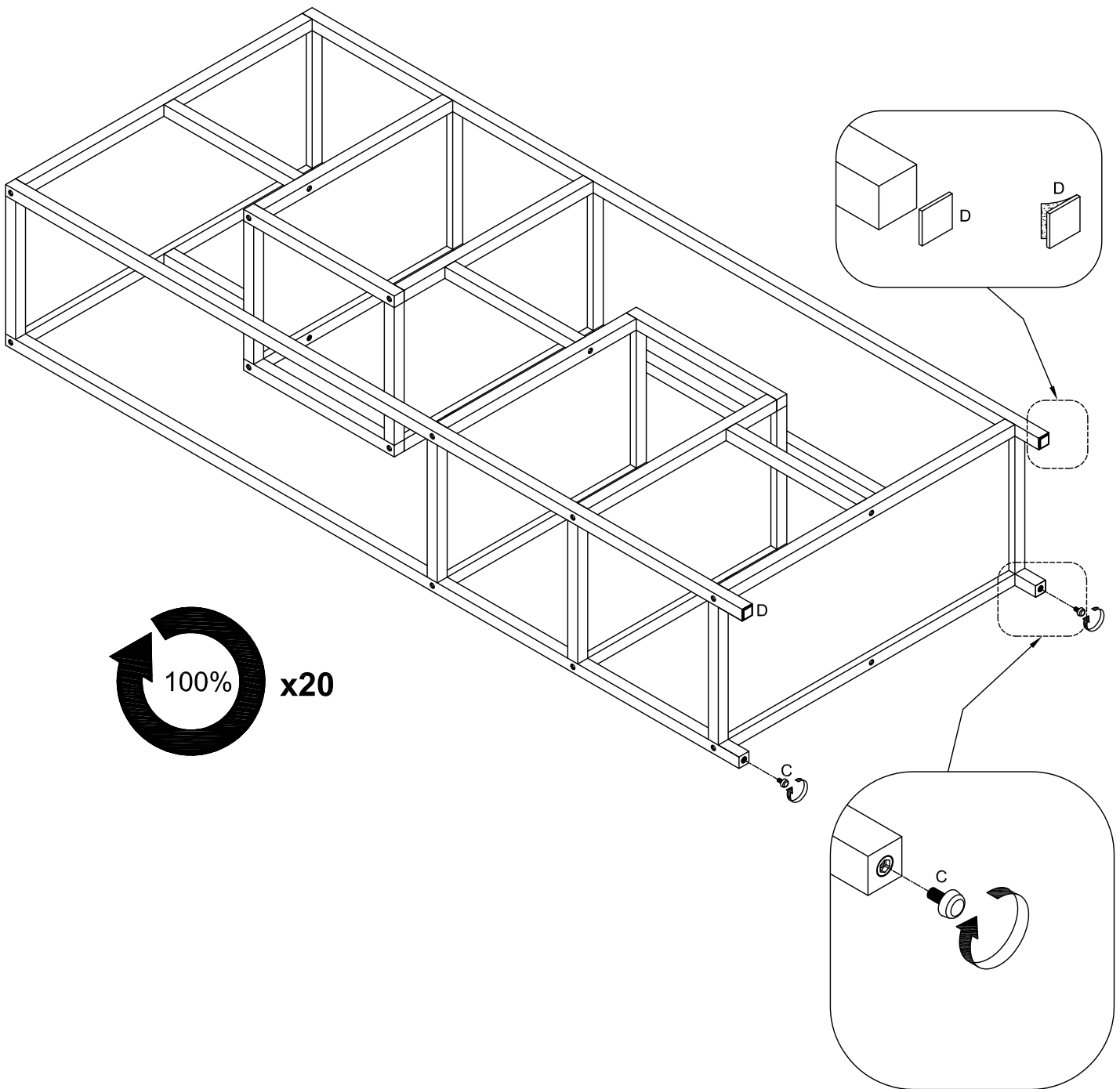


16


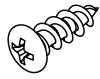


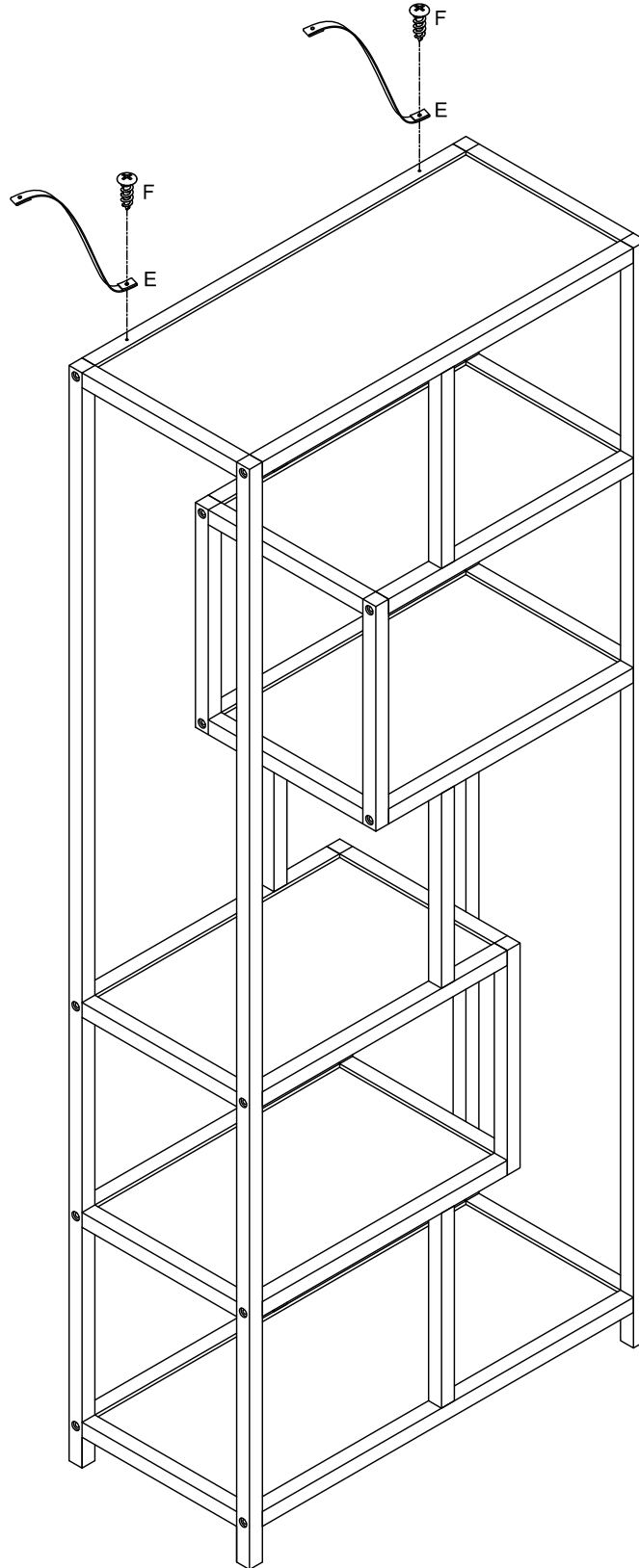
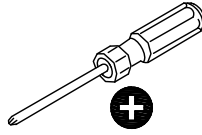
17

C x 2  Ø15x20 mm	D x 2  22x22x3 mm
---	--

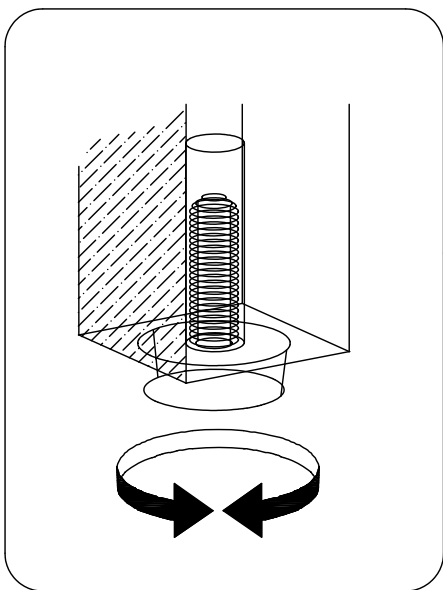
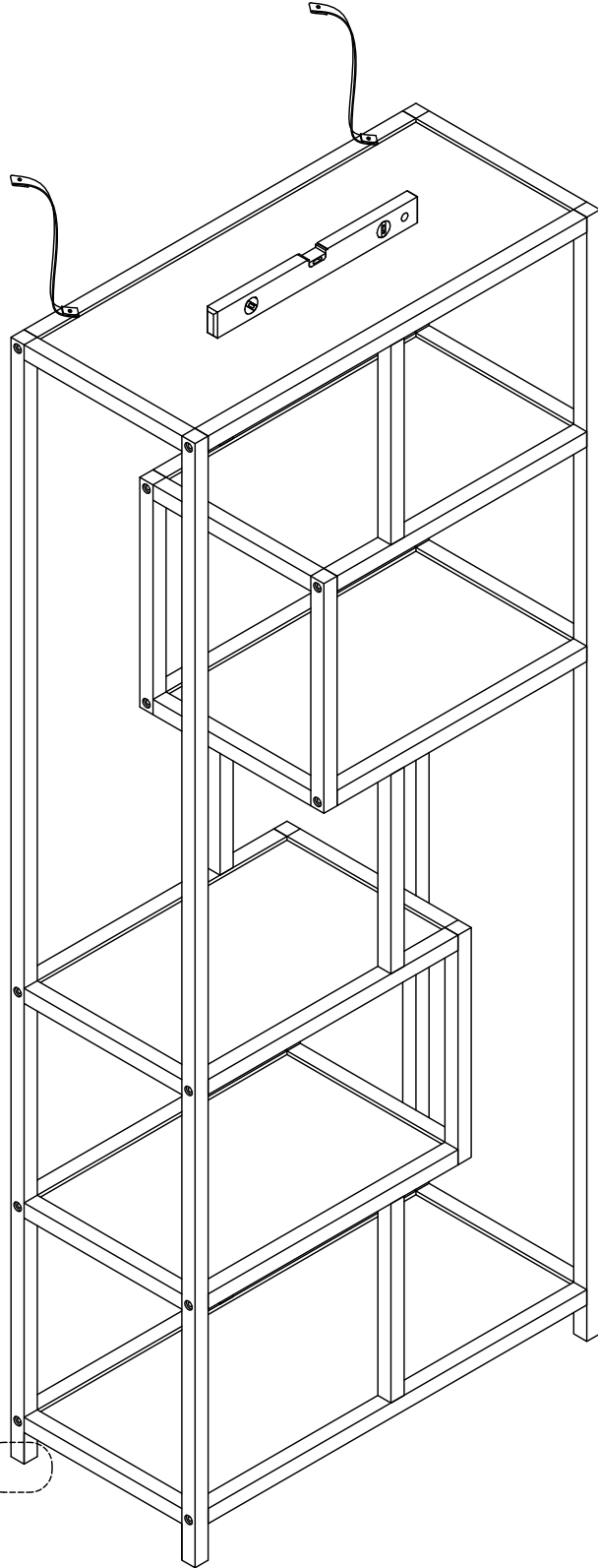
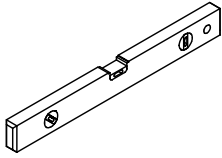


18

<p>E x 2</p>  <p>142x19 mm</p>	<p>F x 2</p>  <p>Ø4x16 mm</p>
---	--



19



20

