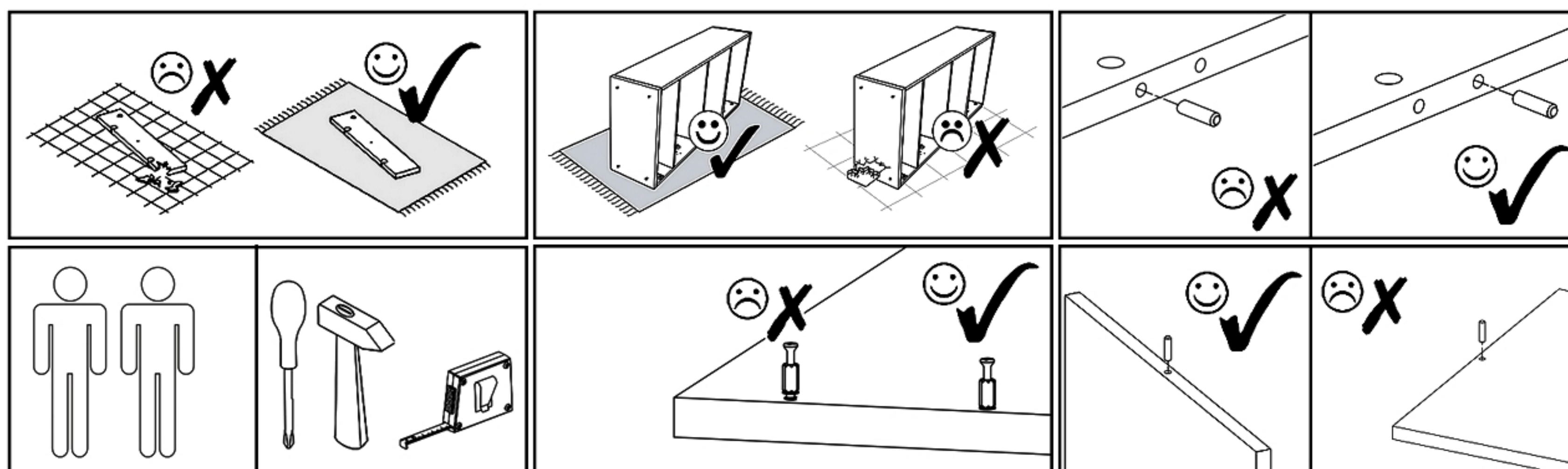
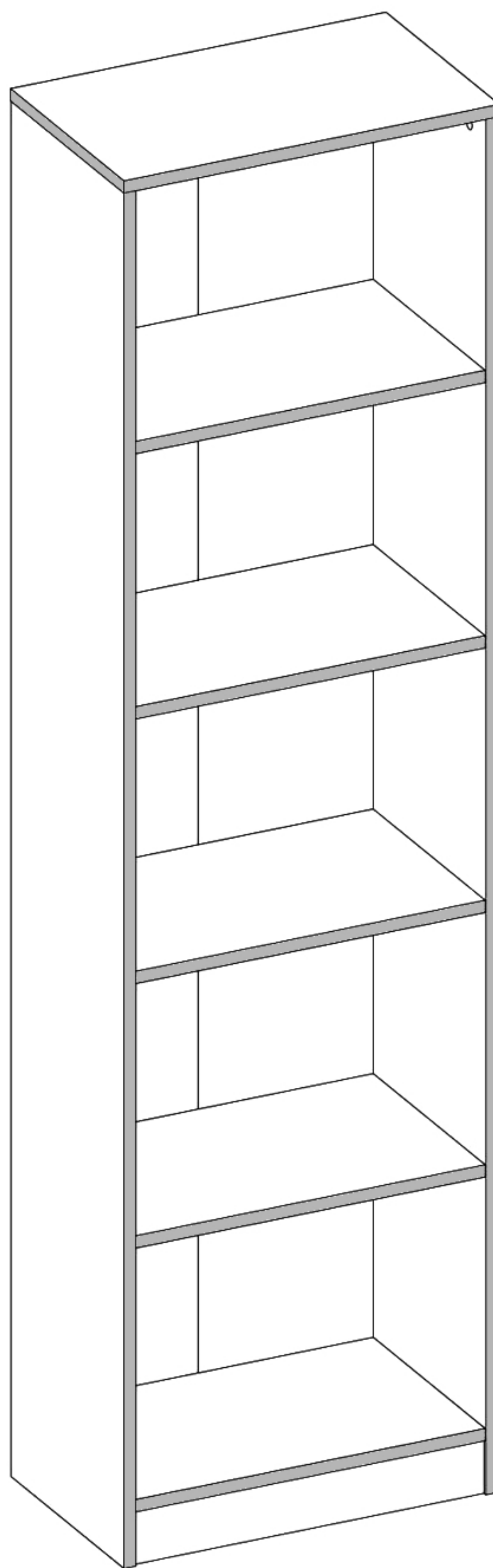









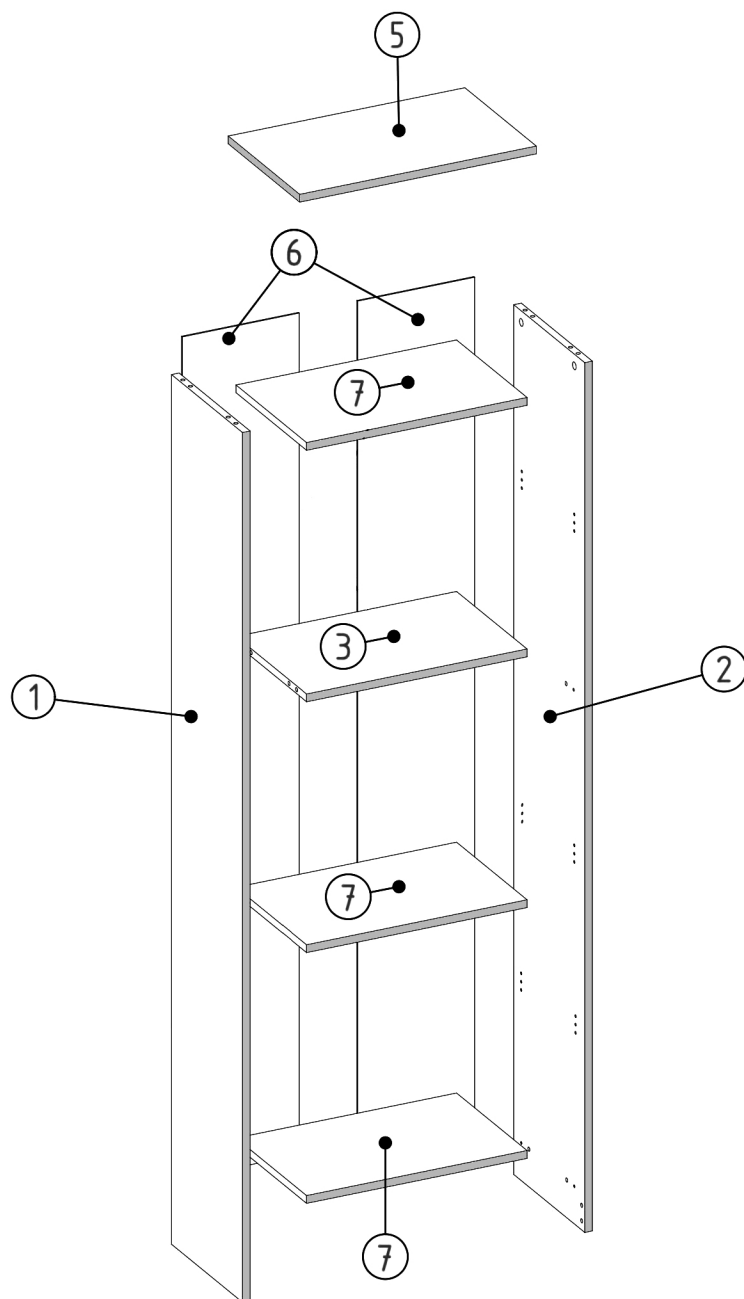


12/07/2021

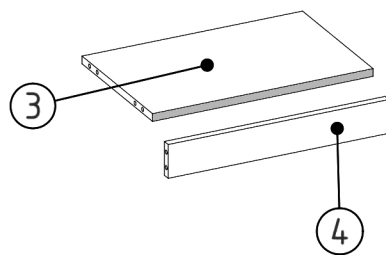
R40 60 80







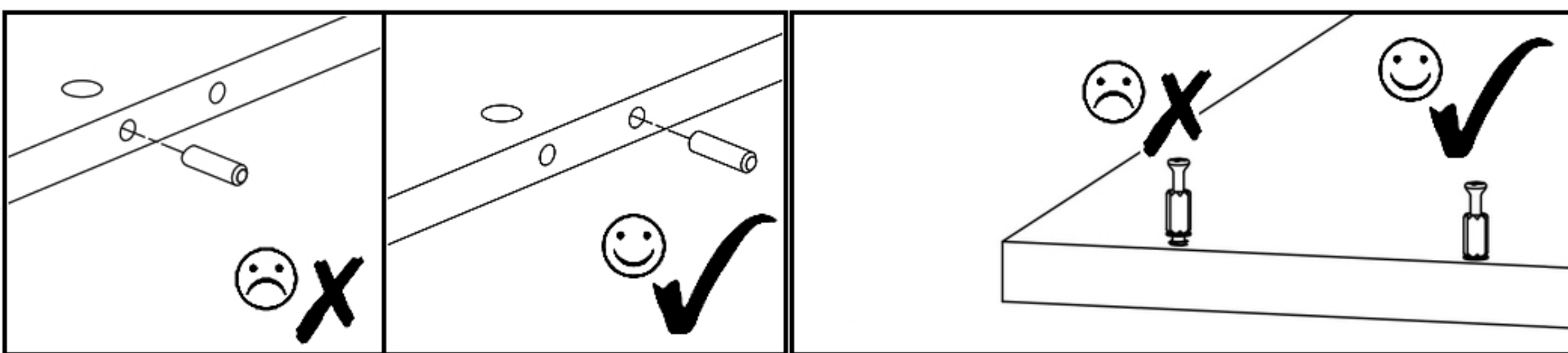
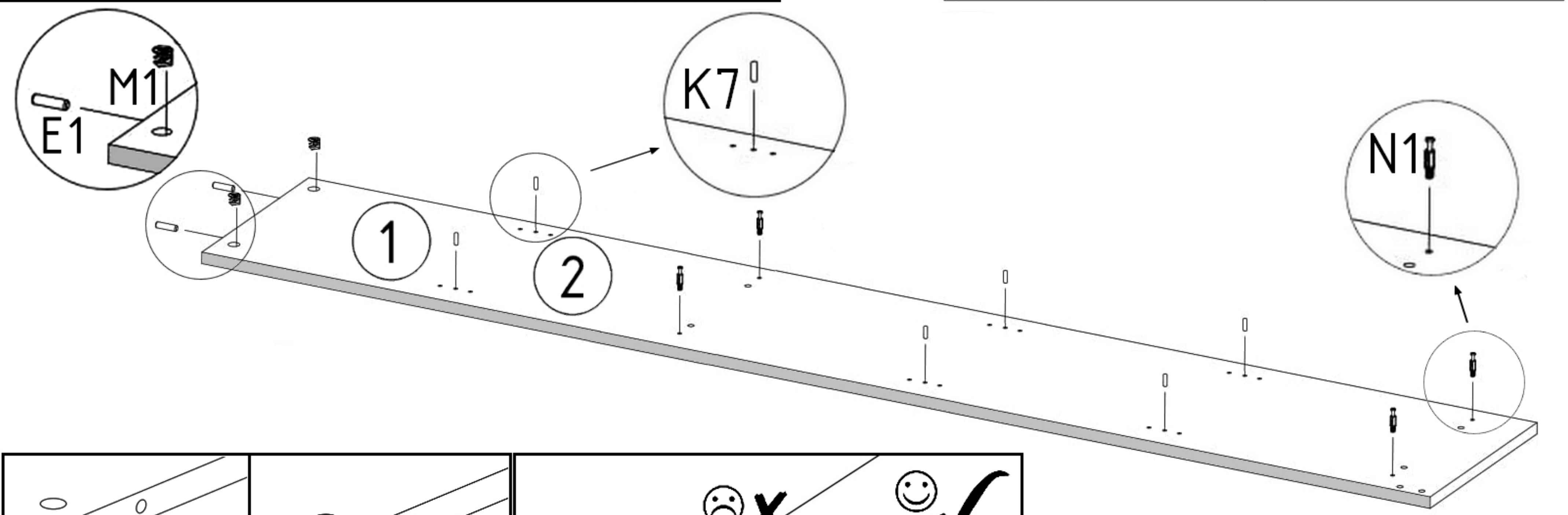
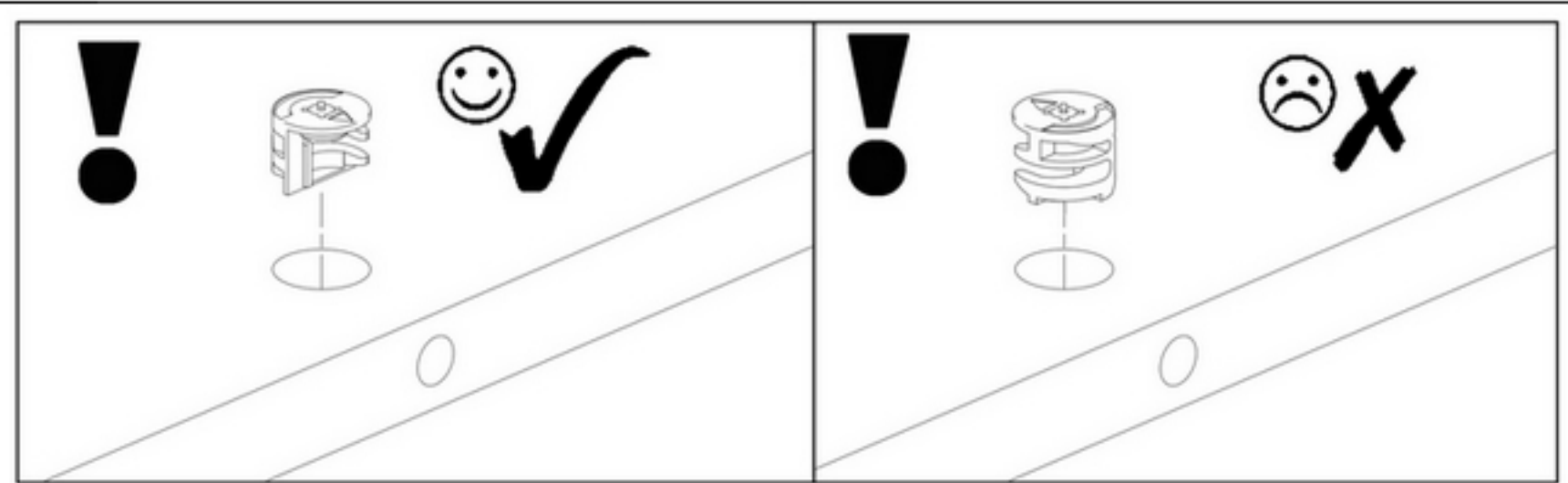
N1  L=45mm x12	M1  12x15mm x12	K2  x1	K7  L=16mm x12	
Z2  x 50	E1  8x35mm x16	L1  L=1712mm x 1	T1  x4	M2  ø17mm x4





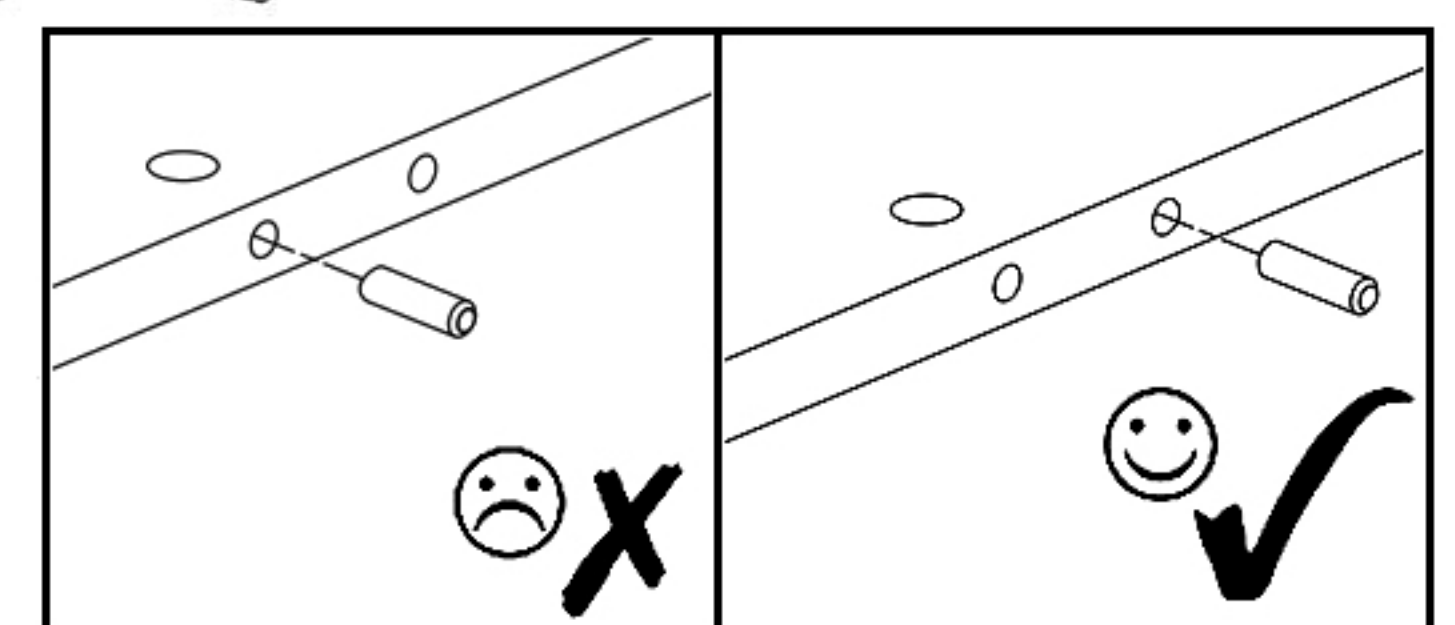
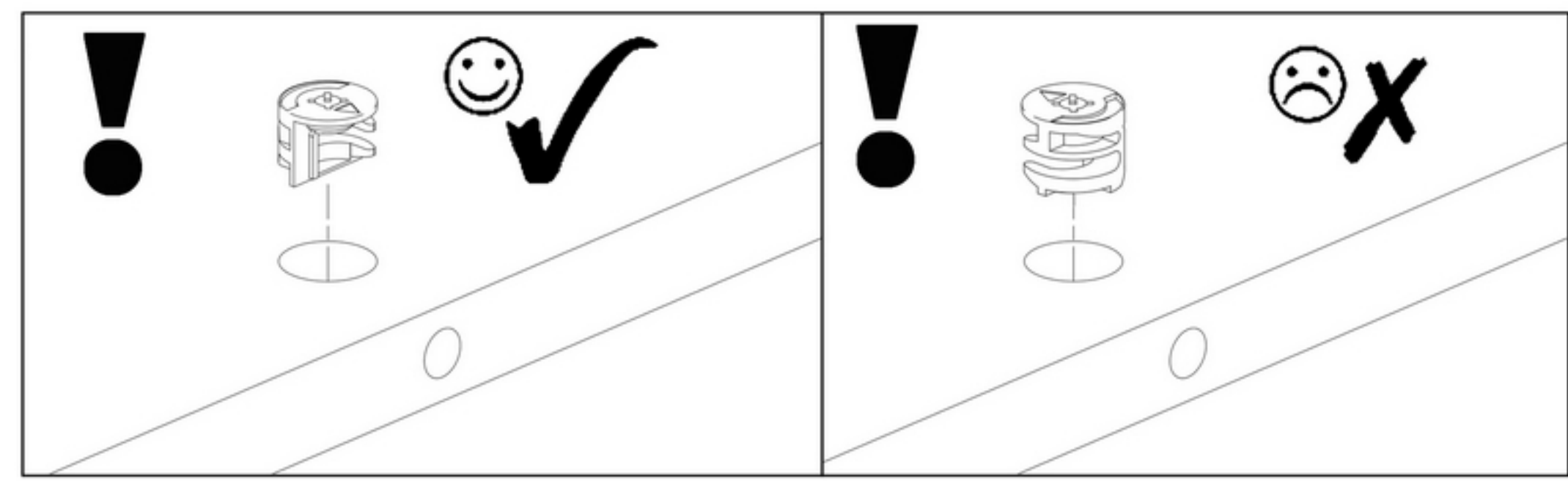
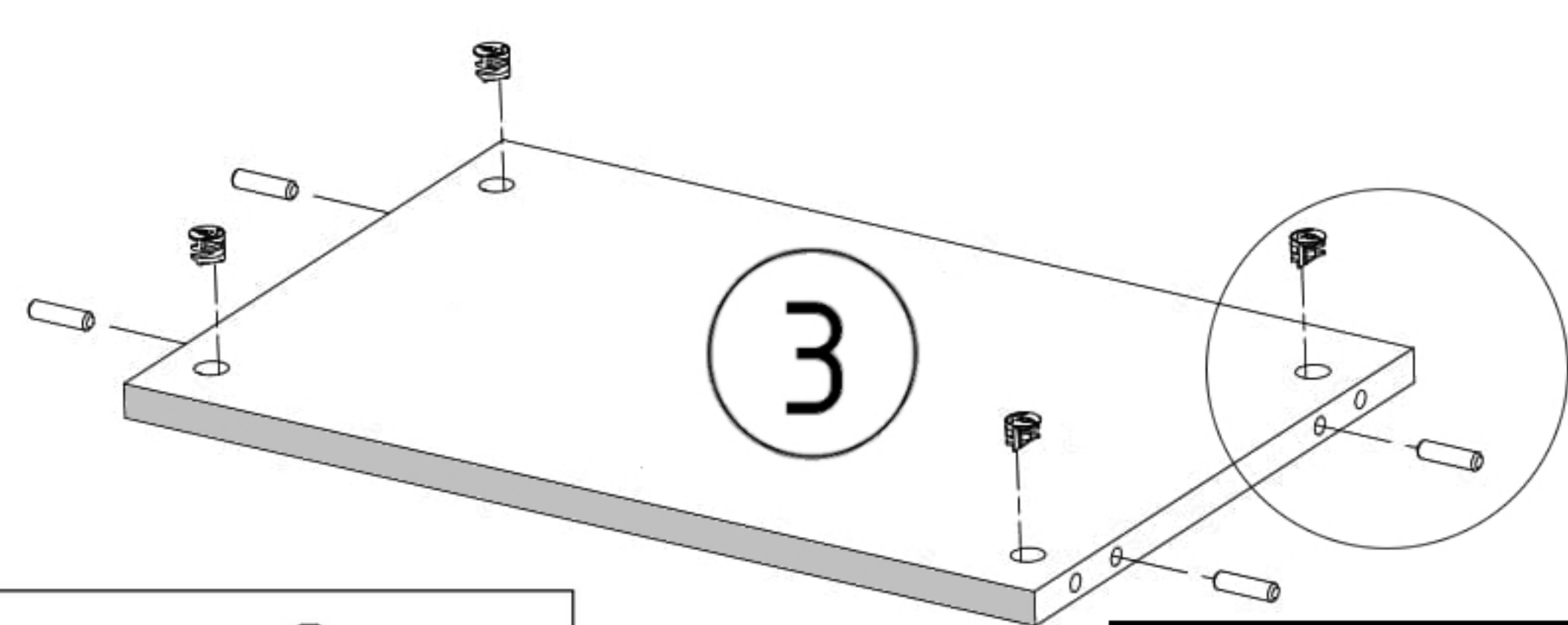
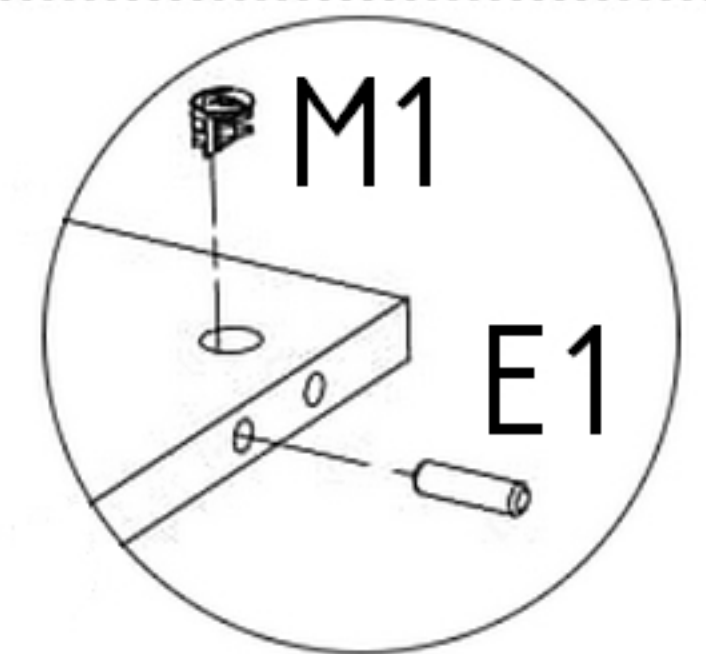
1	x	1
2	x	1
3	x	2
4	x	1
5	x	1
6	x	2
7	x	3

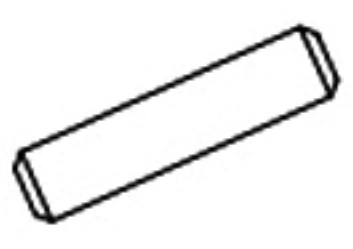


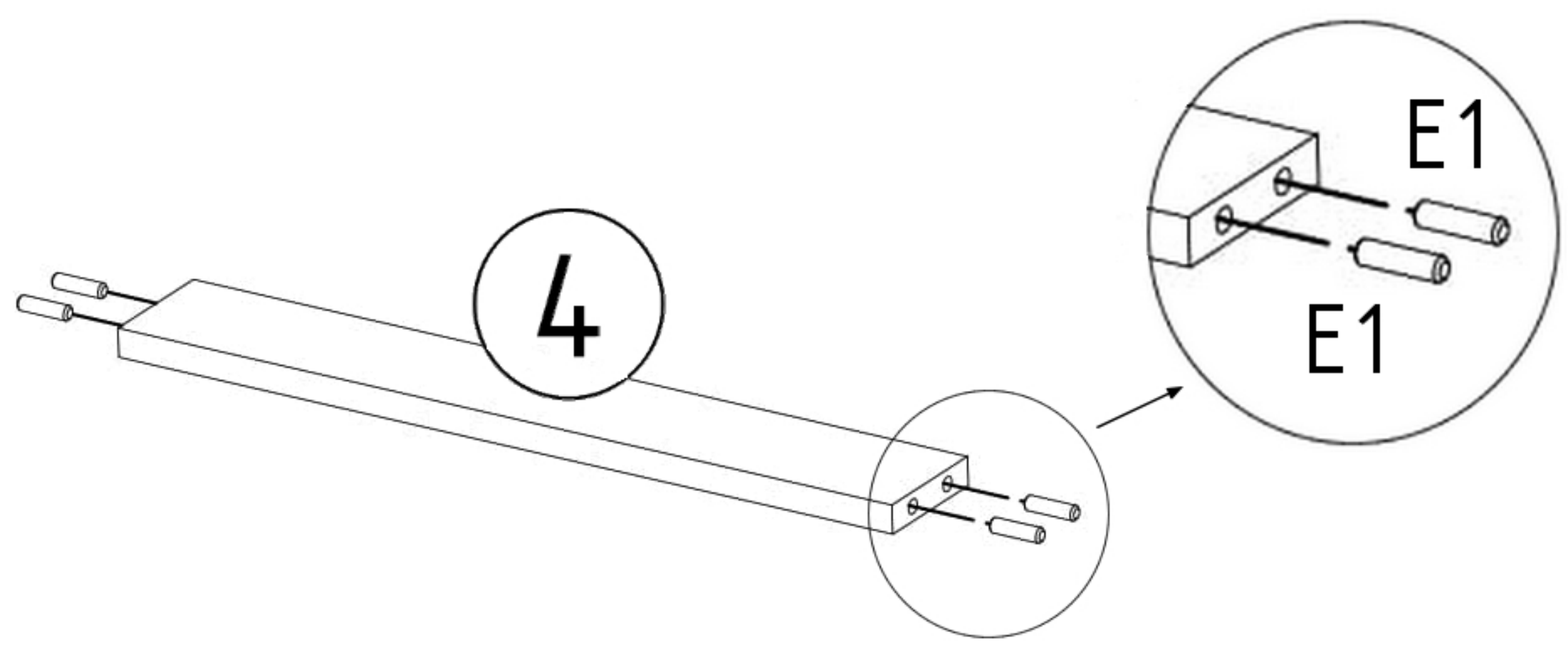
N1  L=45mm	M1  12x15mm	E1  8x35mm	K7  L=16mm
X4	X2	X2	X6

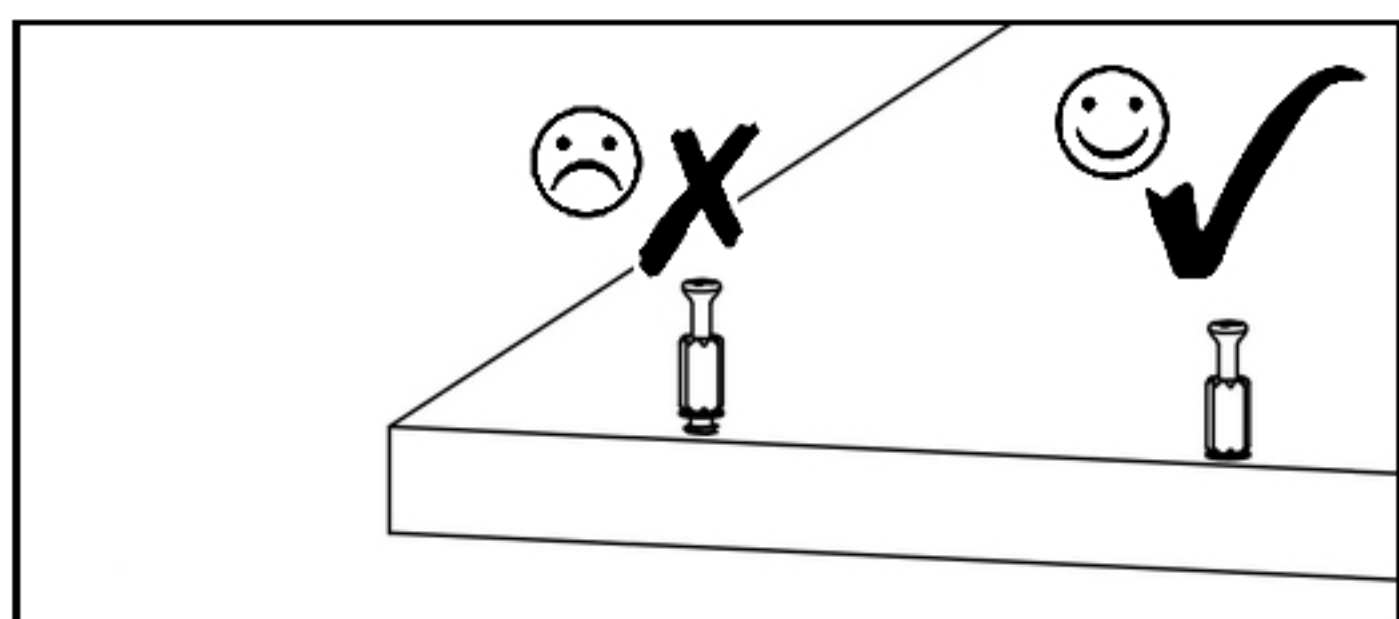
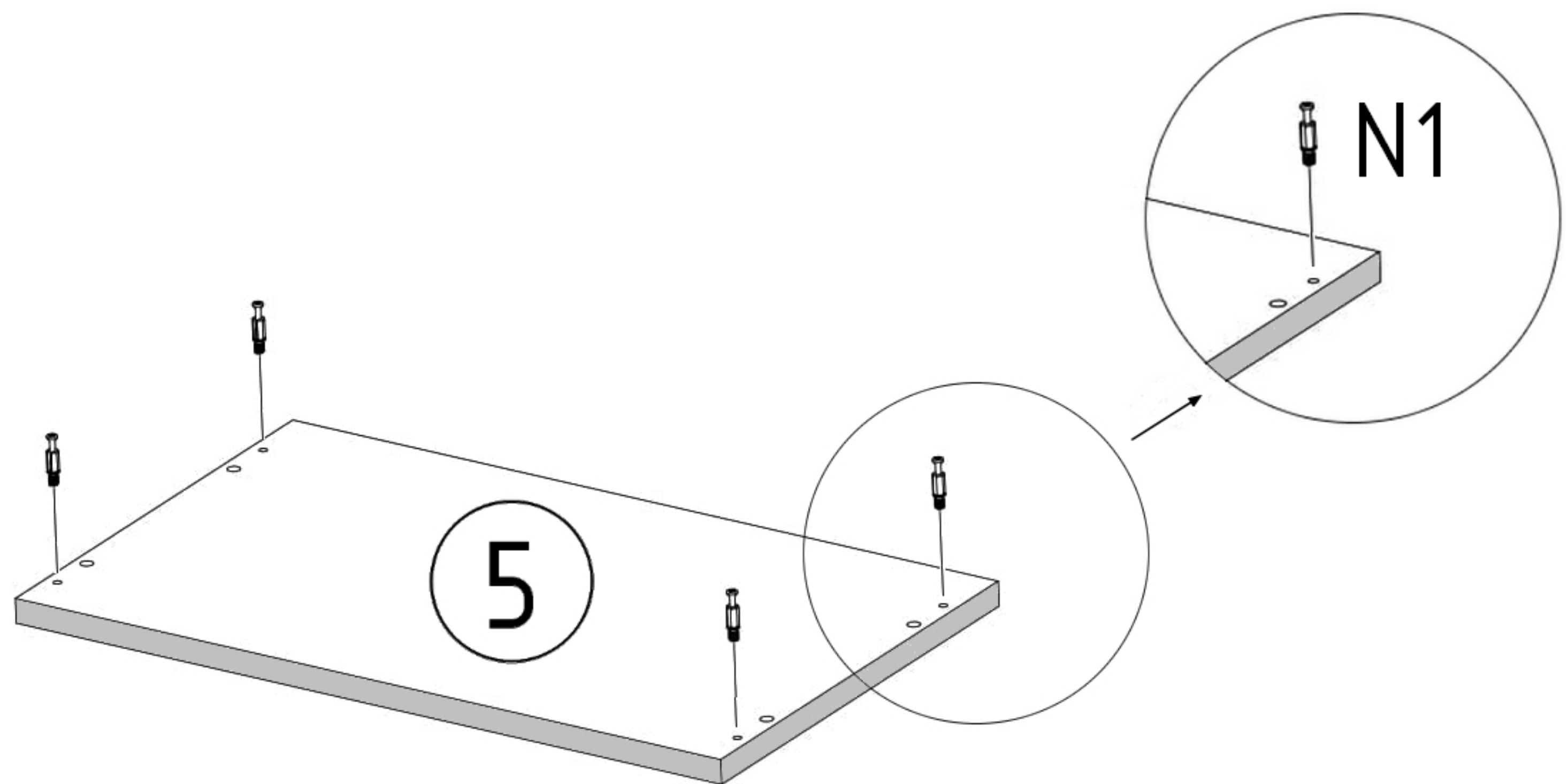
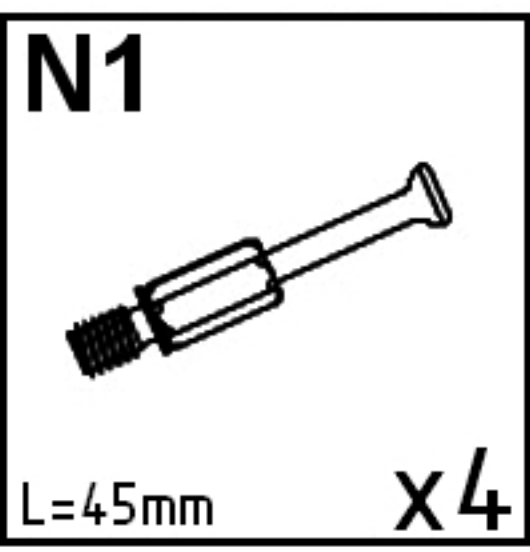
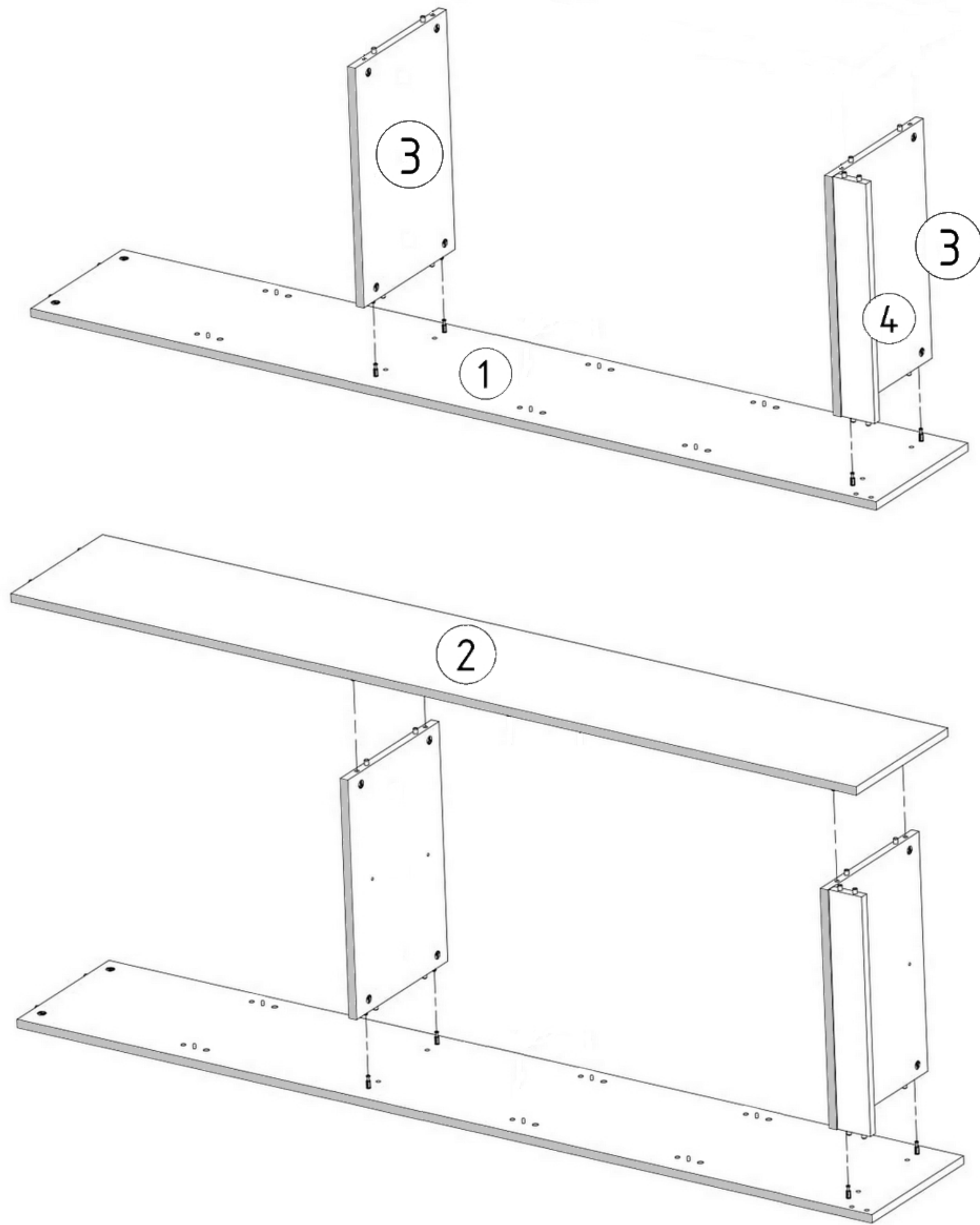
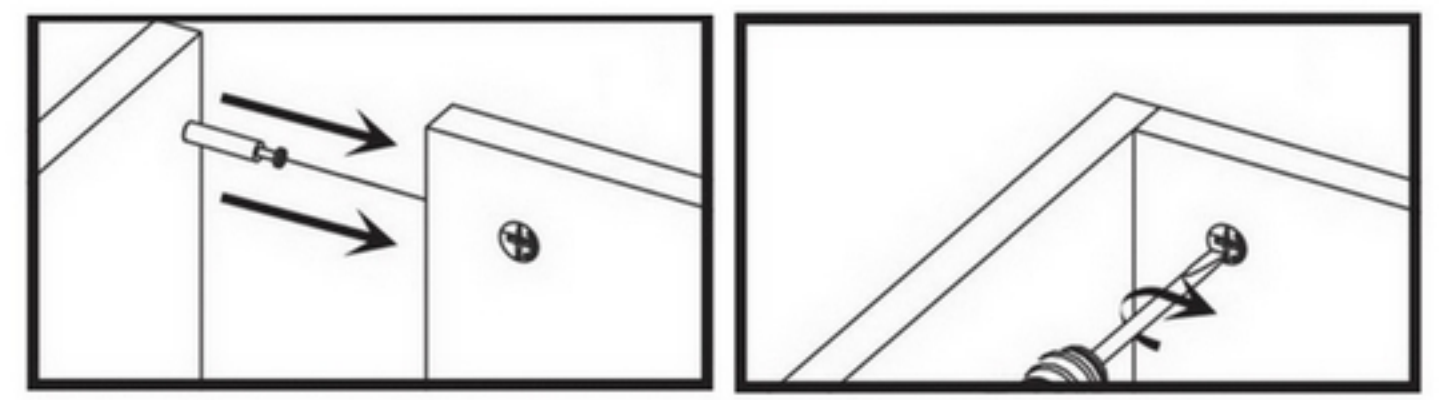


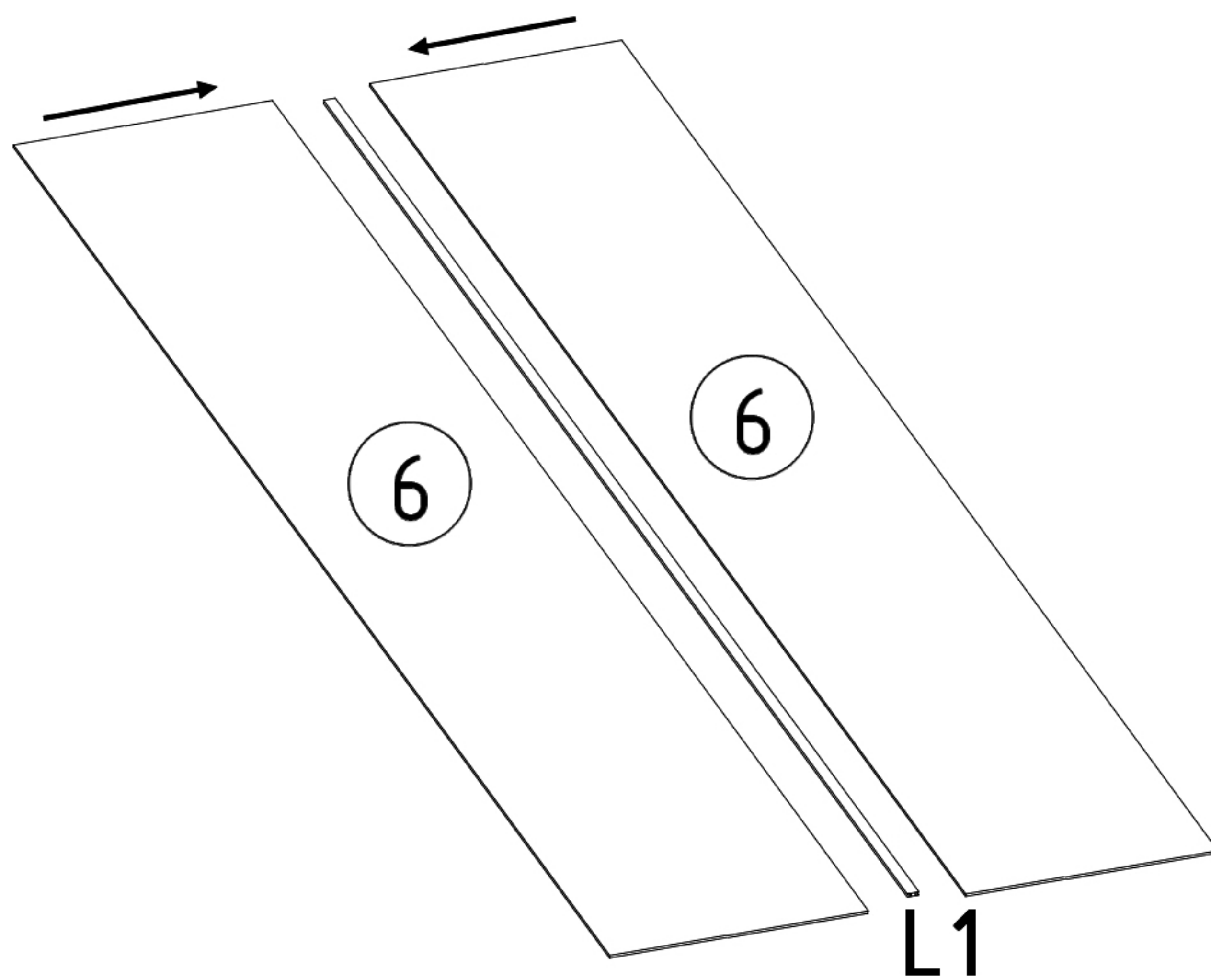
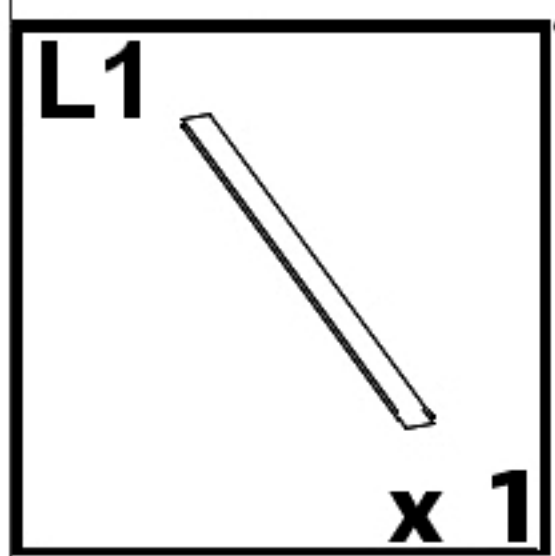
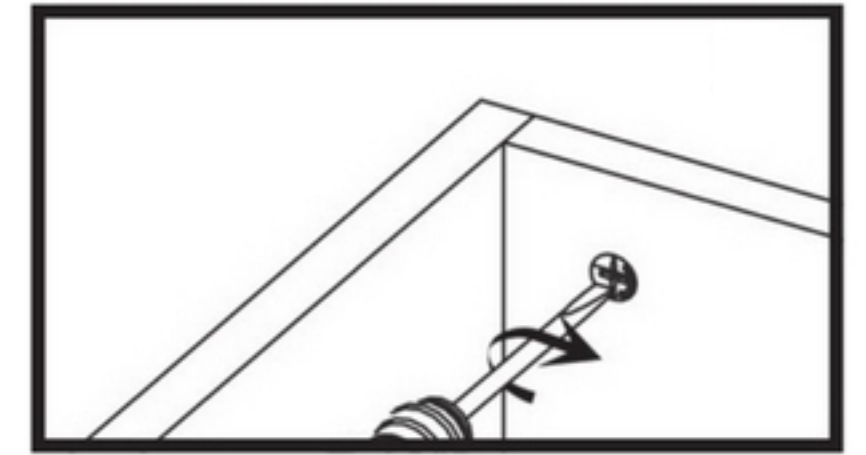
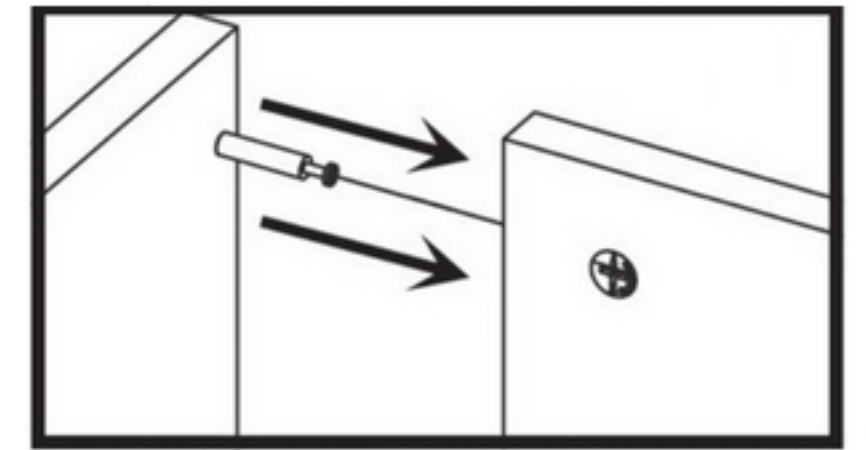
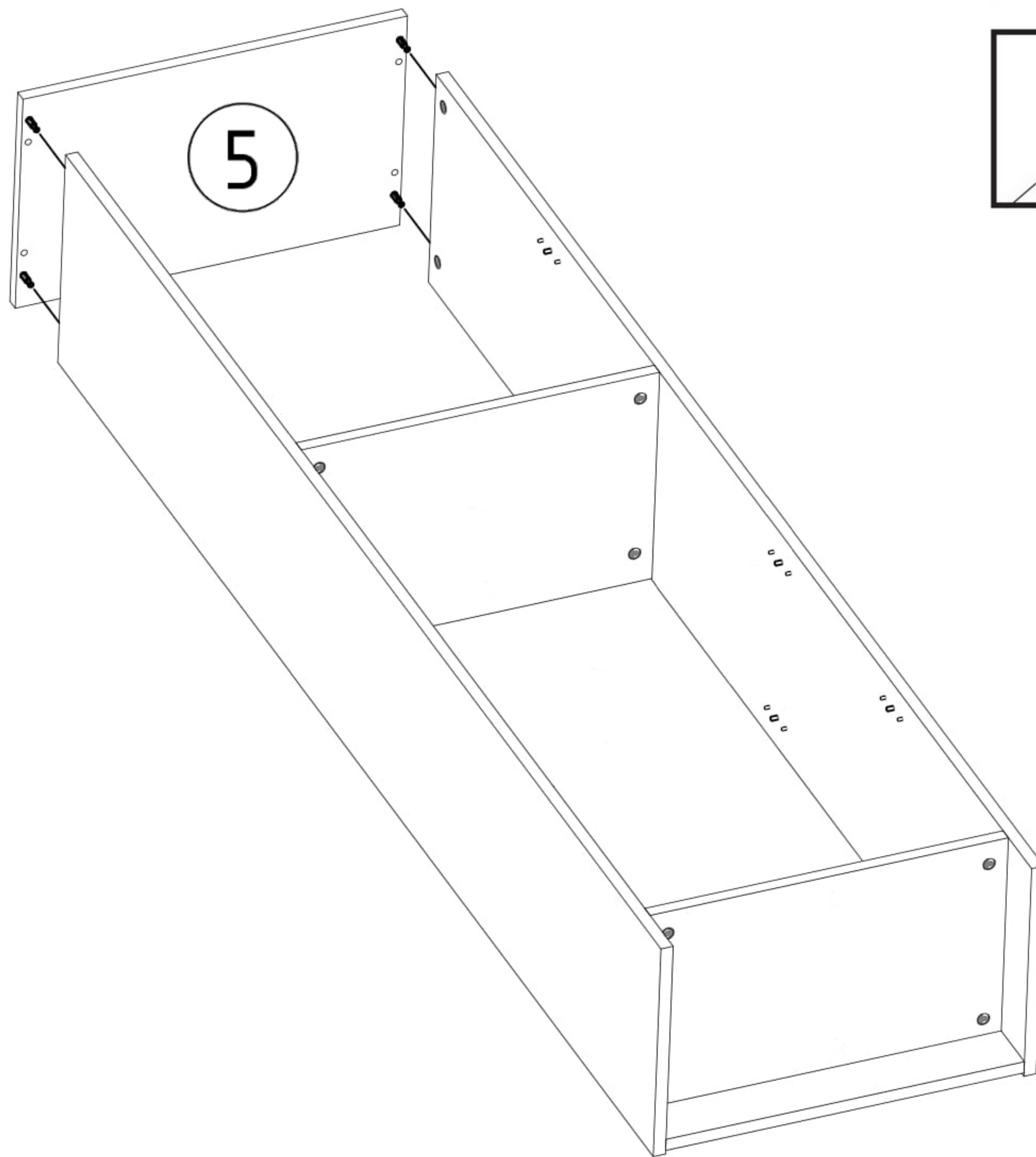
M1  12x15mm	E1  8x35mm
X4	X4

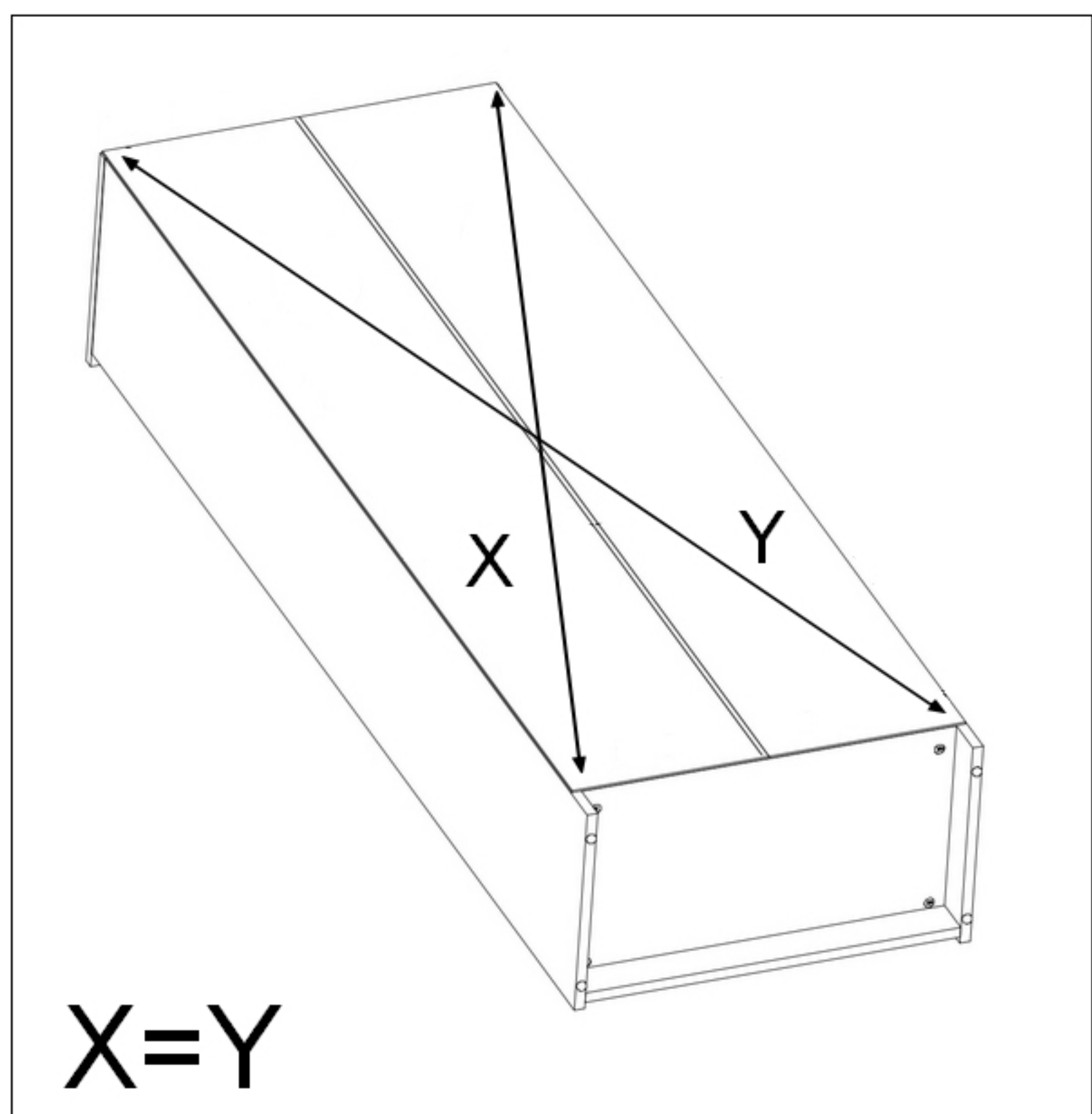
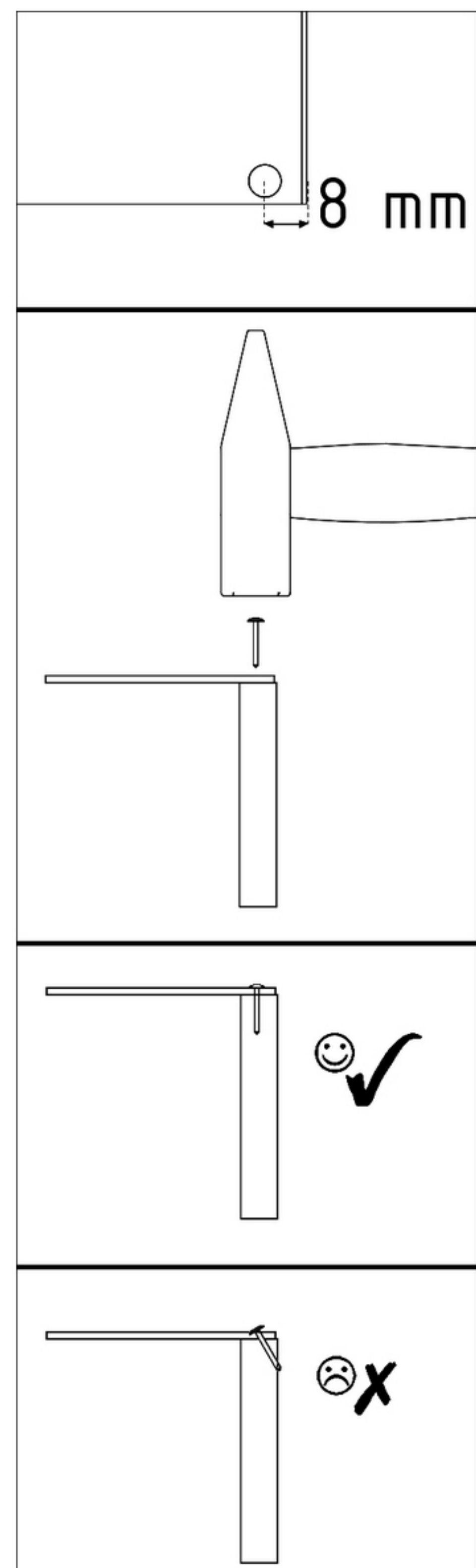
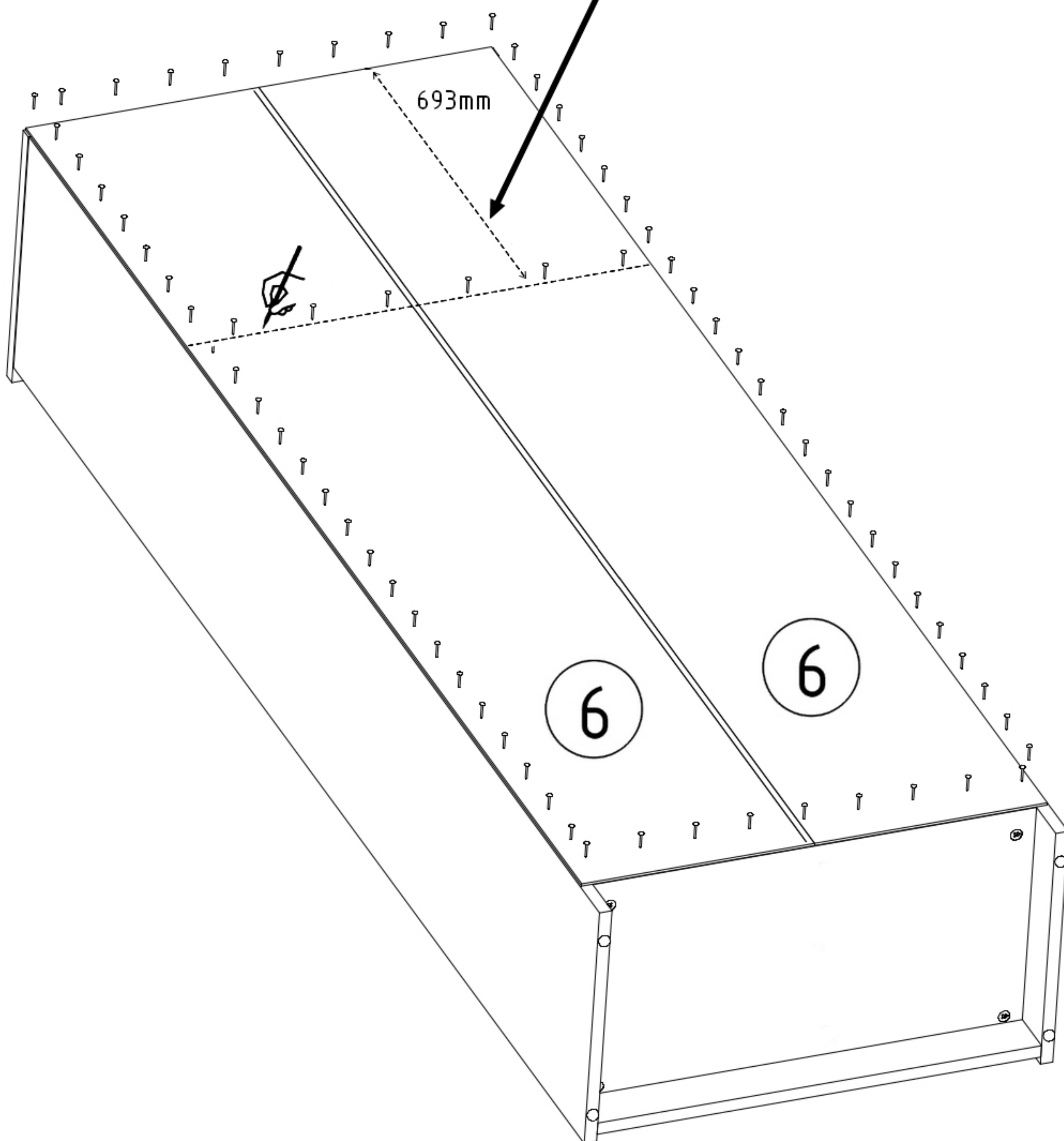
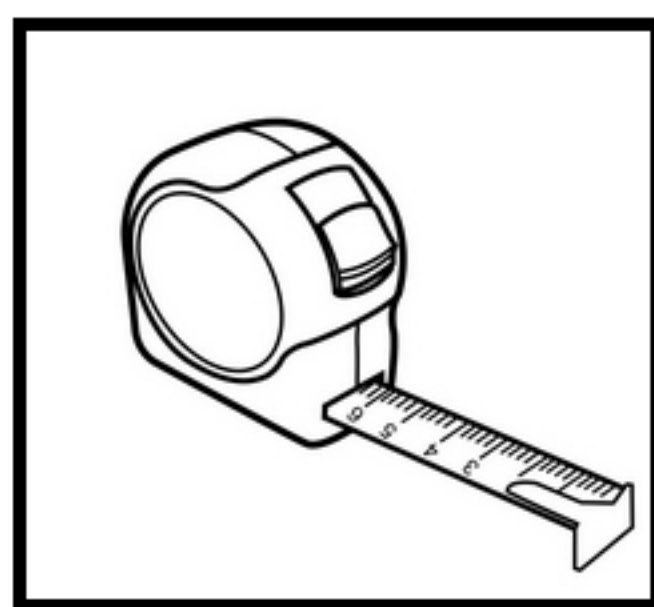
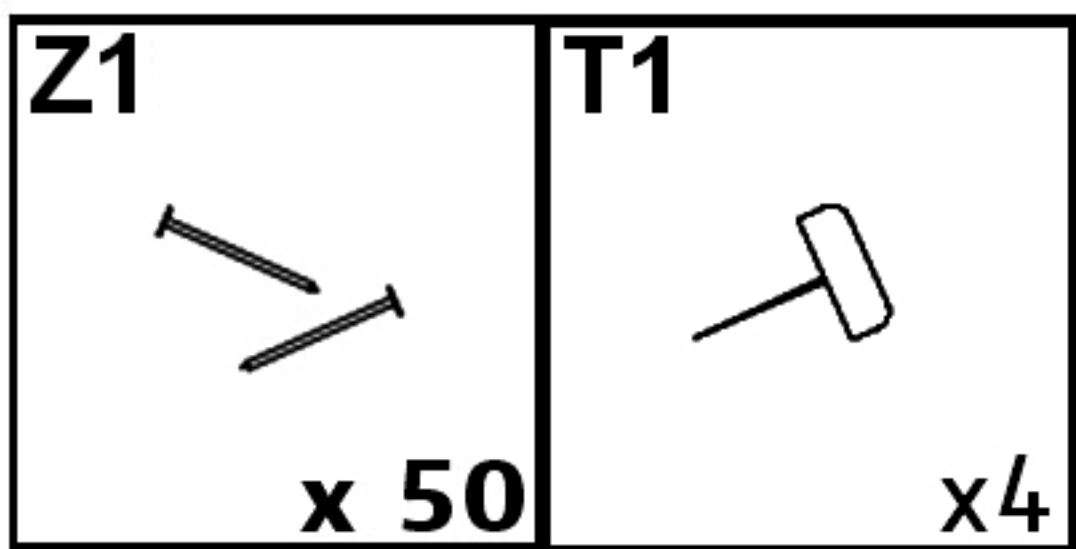




E1  8x35mm
X4

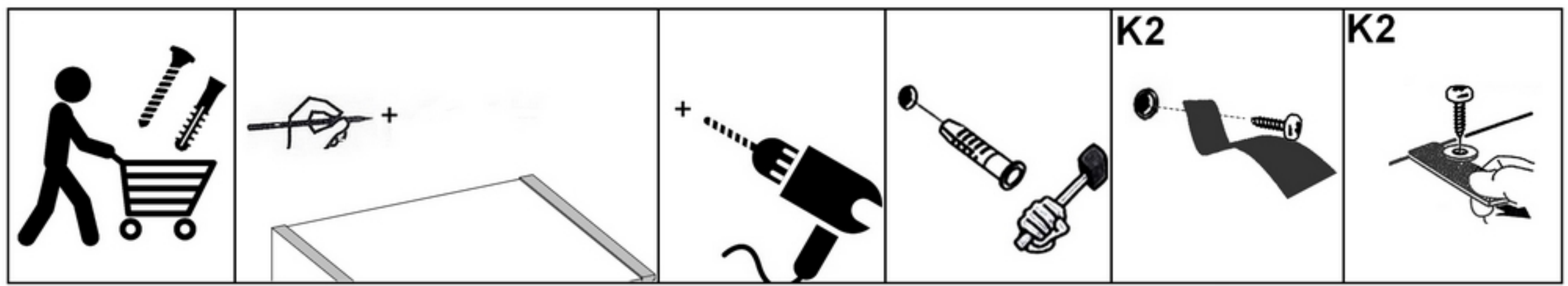



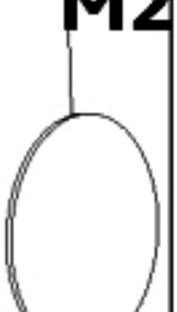






K2  x1	M2  ø17mm x4
---	--



M3 	M2 
--	--

