

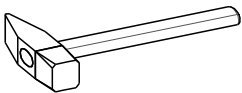
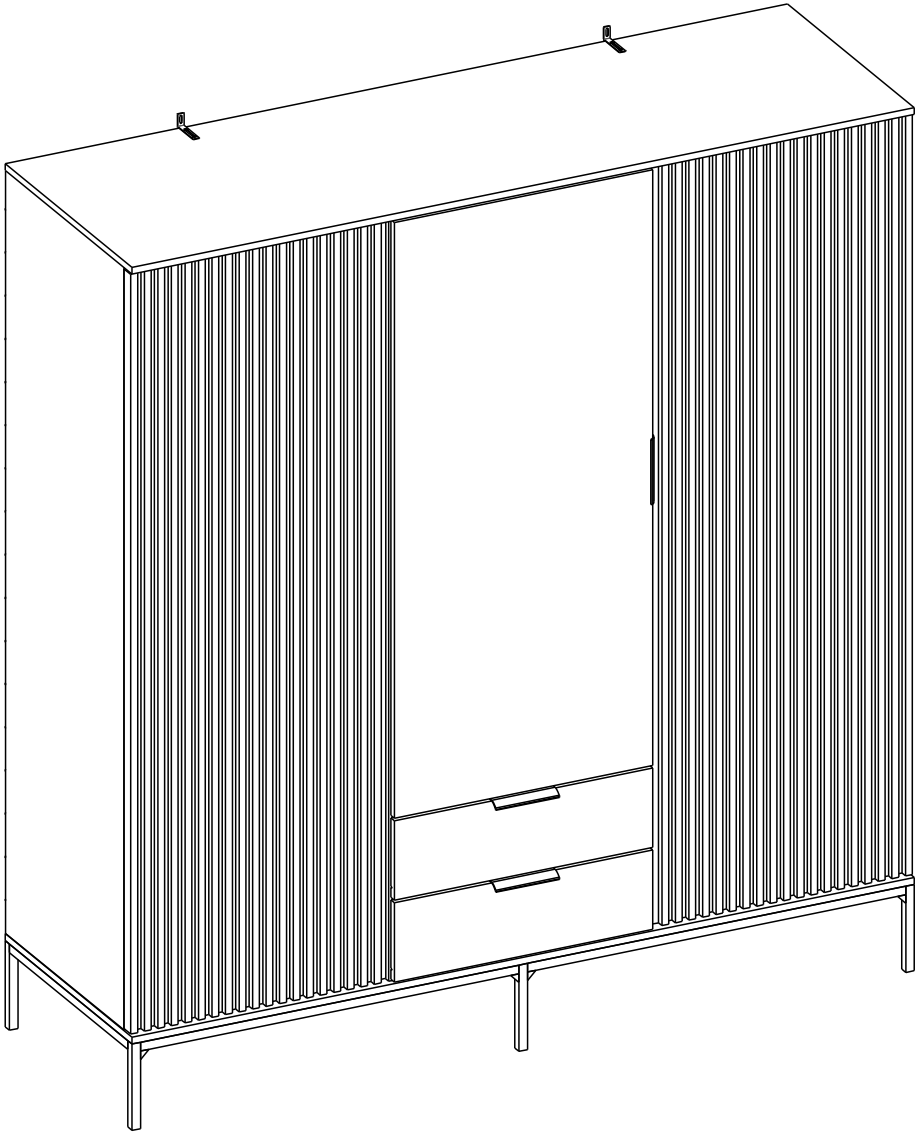
# szafa 185



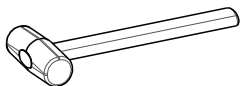
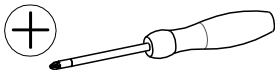
scan QR code

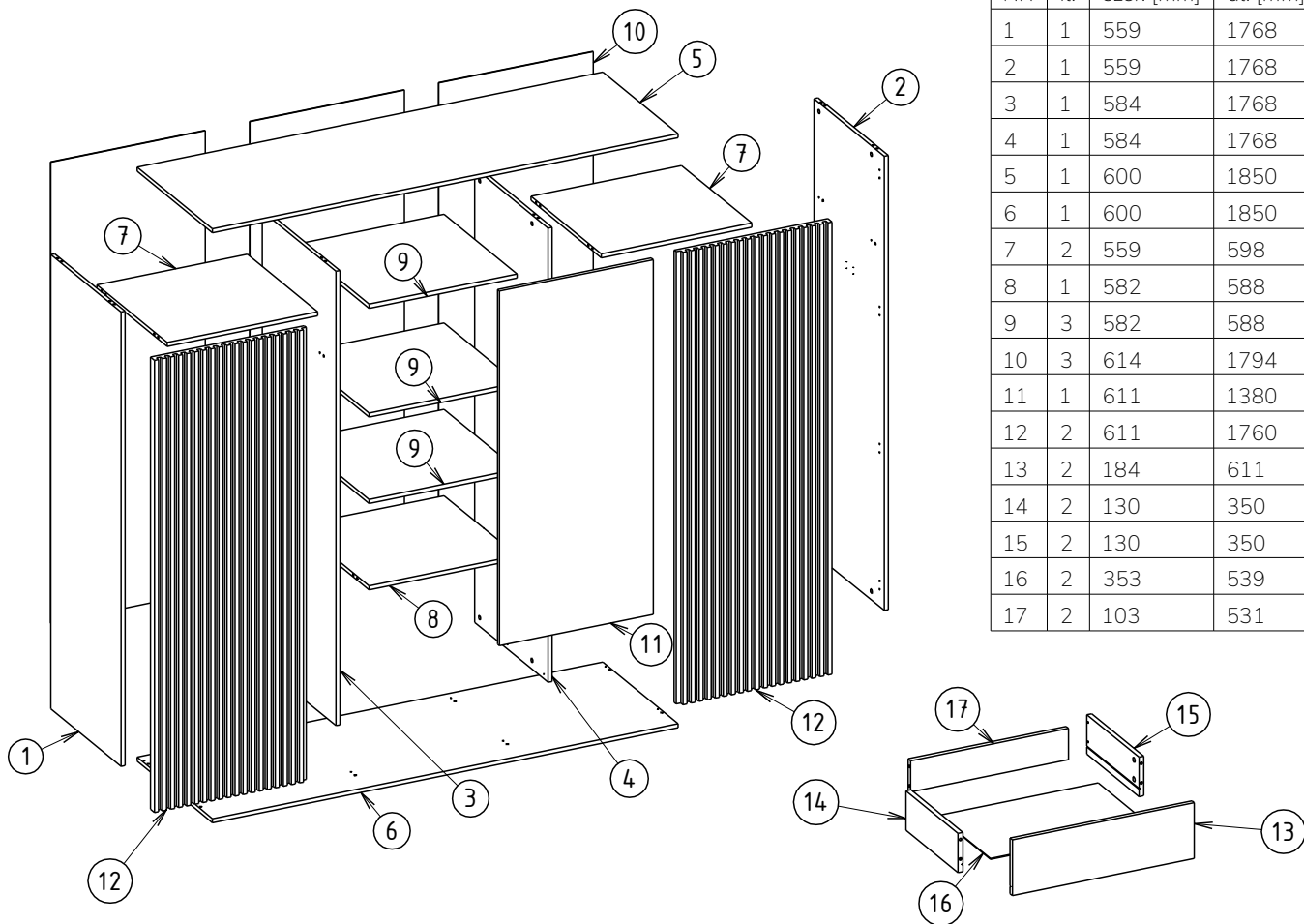


complete  
instruction for  
assembling  
the furniture

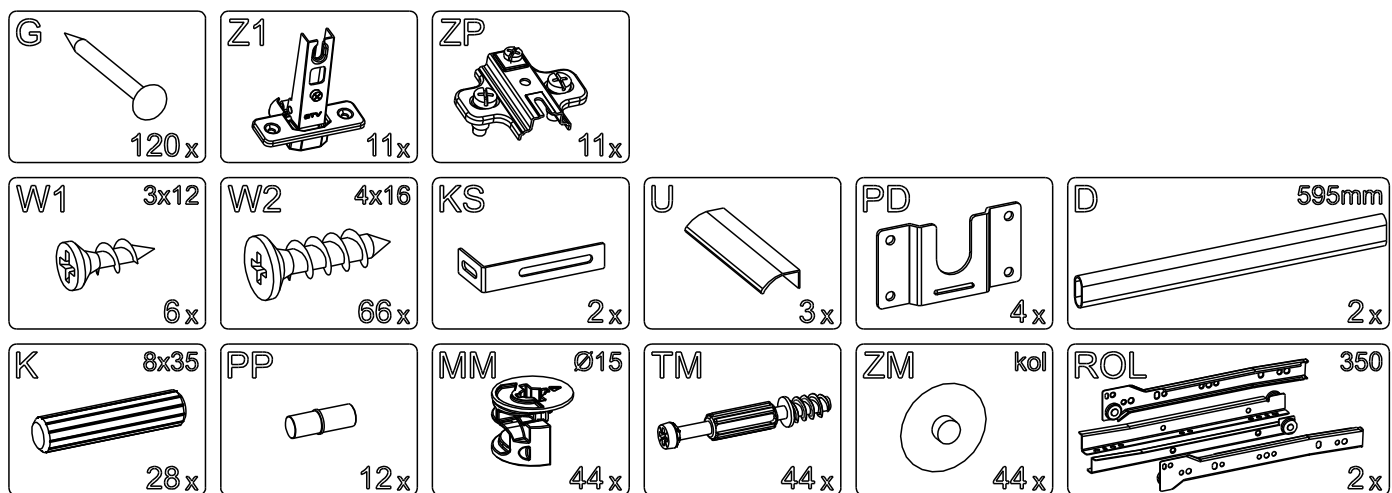


120min





| NR | il. | szer. [mm] | dt. [mm] |
|----|-----|------------|----------|
| 1  | 1   | 559        | 1768     |
| 2  | 1   | 559        | 1768     |
| 3  | 1   | 584        | 1768     |
| 4  | 1   | 584        | 1768     |
| 5  | 1   | 600        | 1850     |
| 6  | 1   | 600        | 1850     |
| 7  | 2   | 559        | 598      |
| 8  | 1   | 582        | 588      |
| 9  | 3   | 582        | 588      |
| 10 | 3   | 614        | 1794     |
| 11 | 1   | 611        | 1380     |
| 12 | 2   | 611        | 1760     |
| 13 | 2   | 184        | 611      |
| 14 | 2   | 130        | 350      |
| 15 | 2   | 130        | 350      |
| 16 | 2   | 353        | 539      |
| 17 | 2   | 103        | 531      |



ELTAP Spółka z ograniczoną odpowiedzialnością Sp.k.  
 Mroczeń 203, 63-604 Baranów  
[www.eltap.com](http://www.eltap.com)