

1	x	1
2	x	1
3	x	1
4	x	1
5	x	1
6	x	1
7	x	2
8	x	3

9	x	6
10	x	3
11	x	3
12	x	1

P3

L=350mm x3

N1

L=35mm x16

M1

12x15mm x20

N4

L=62mm x2

S1

3,5x16mm x12

E1

8x30mm x10

S3

6x8mm x12

U6

L=160/180mm x3

M2

16mm x8

Z1

x70

F1

7x50mm x10

K7

5x16mm x4

F3

x1

S7

4x30 mm x6

E3





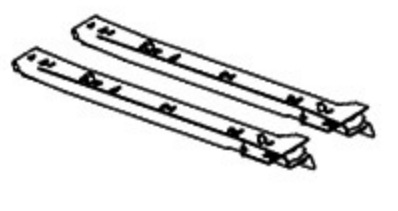

8x50mm x2

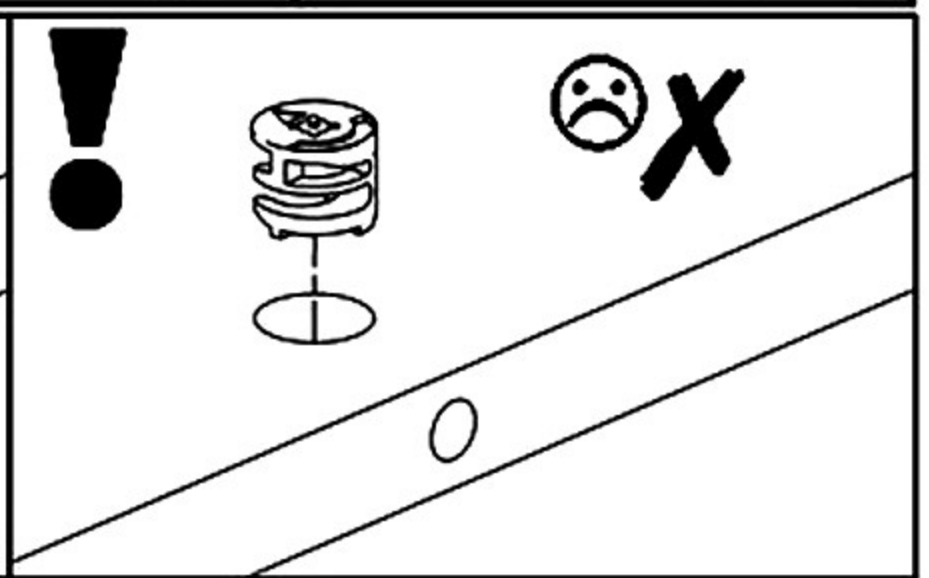
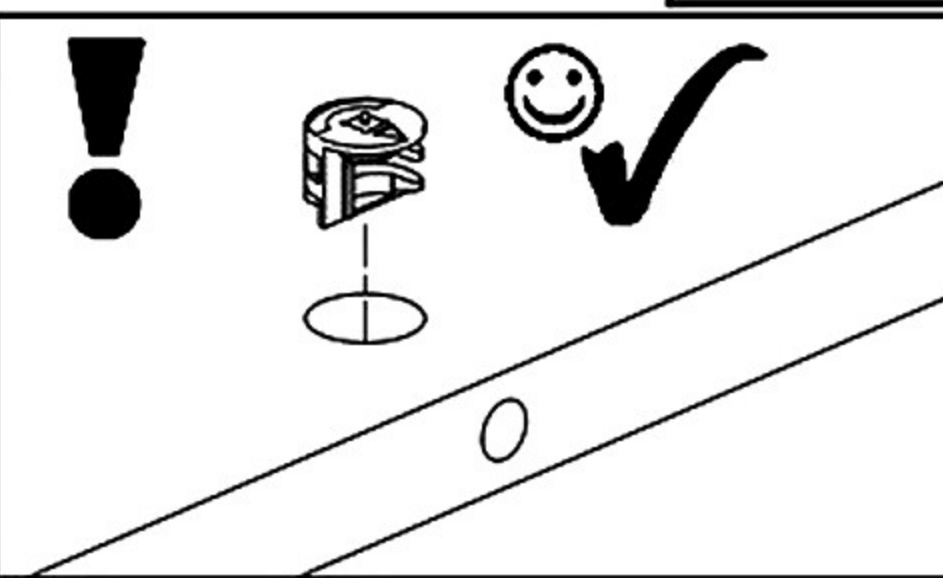
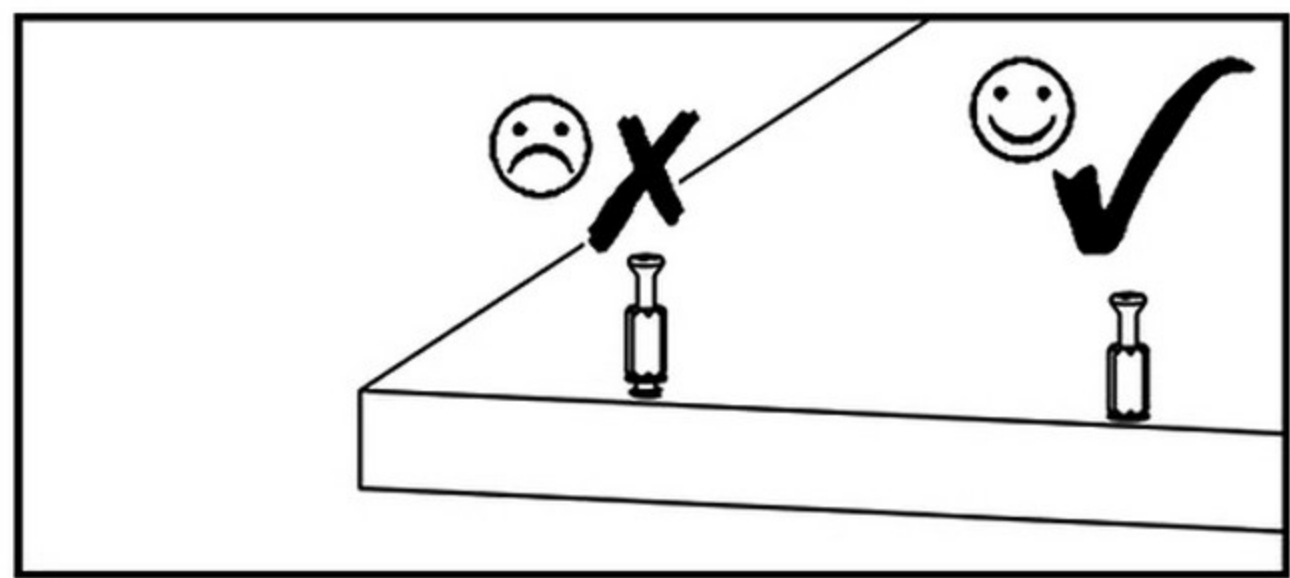
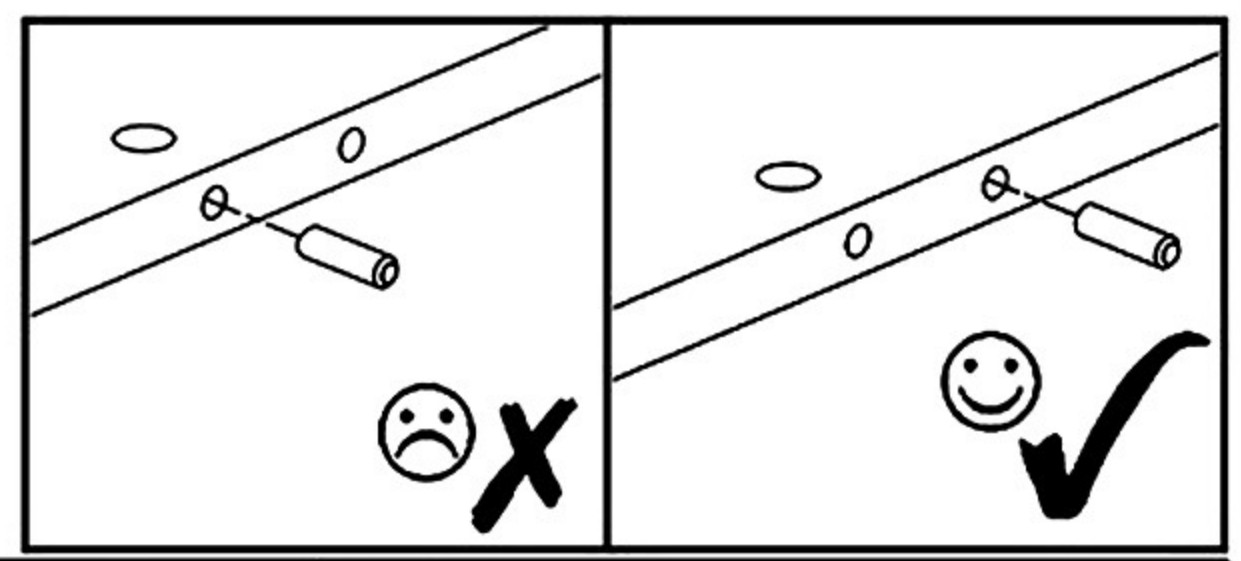
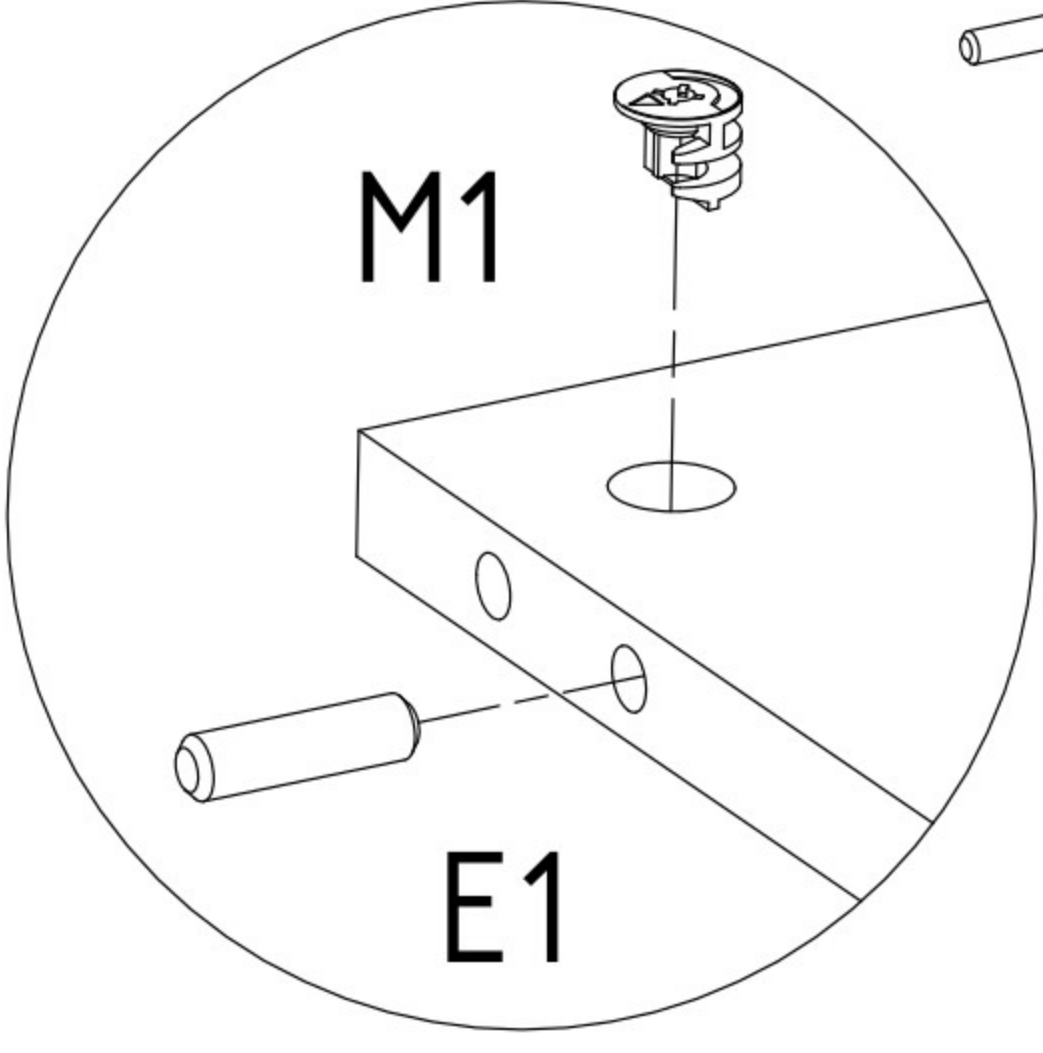
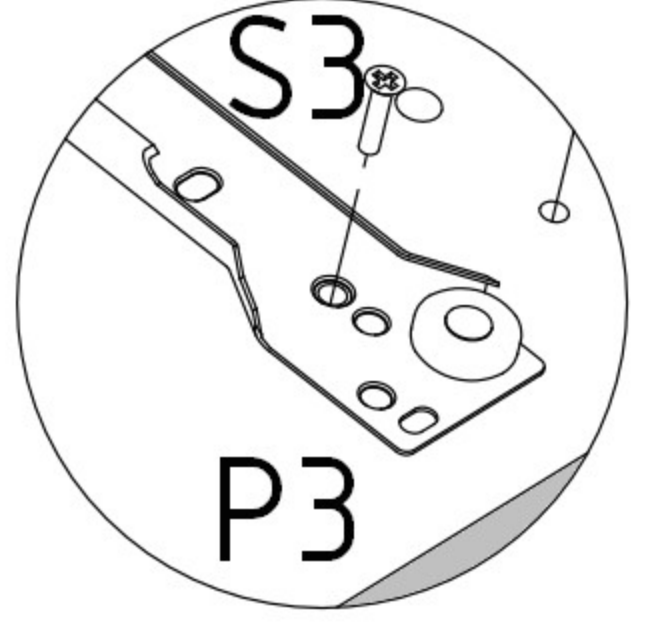
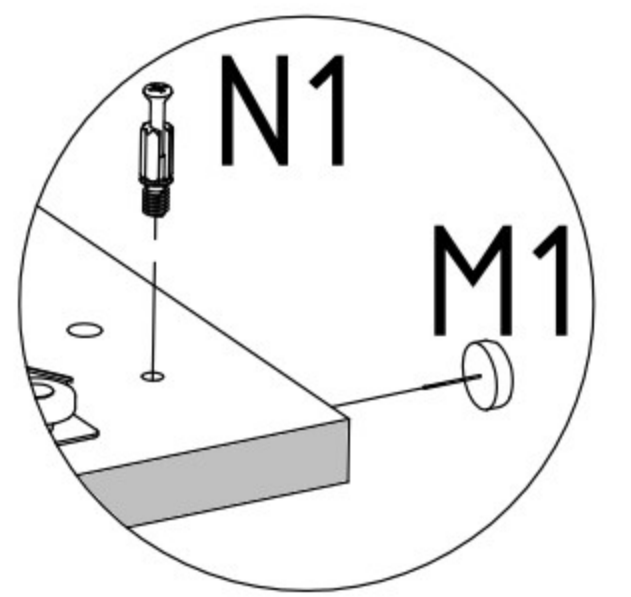
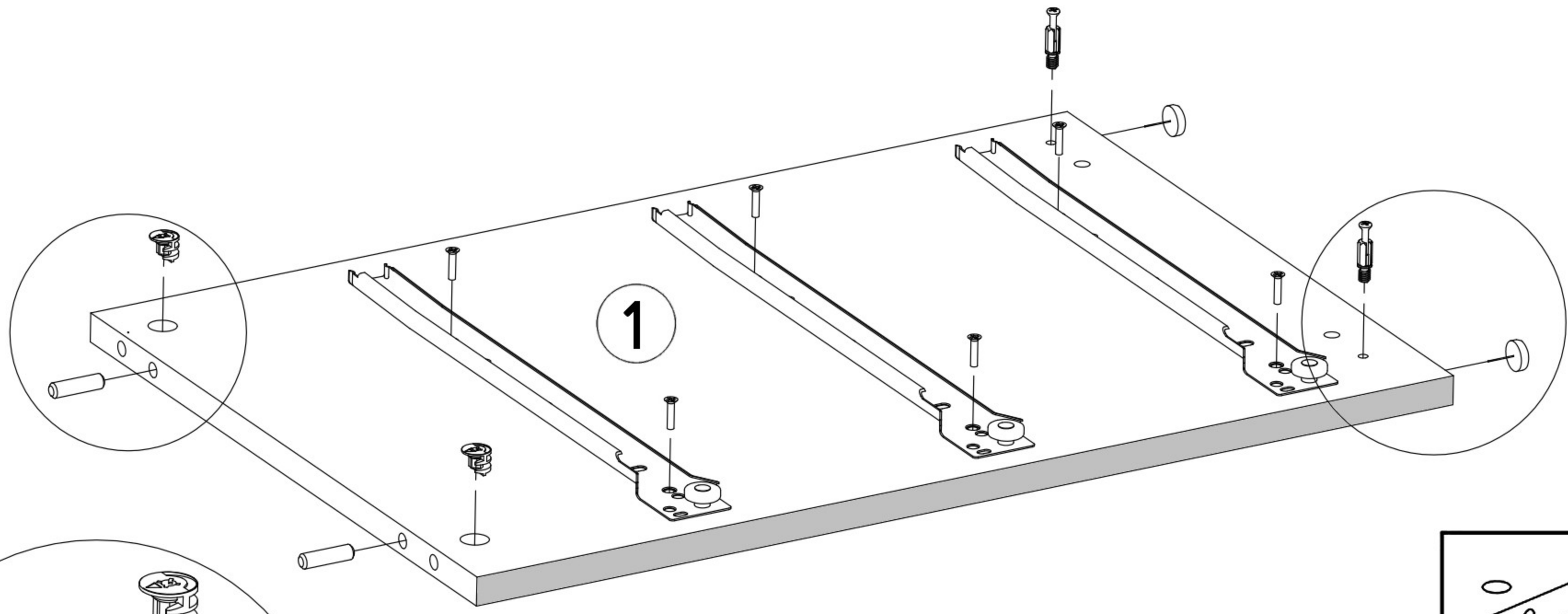
T1


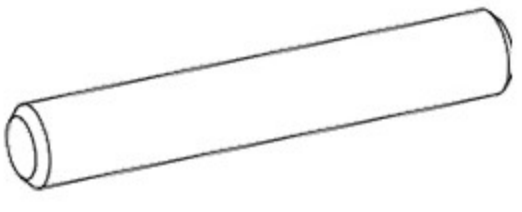

x6

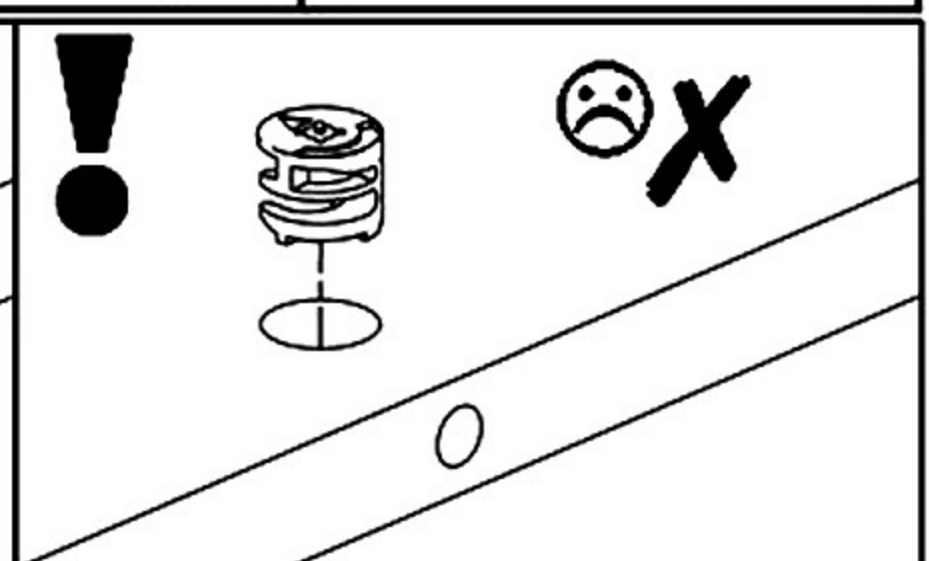
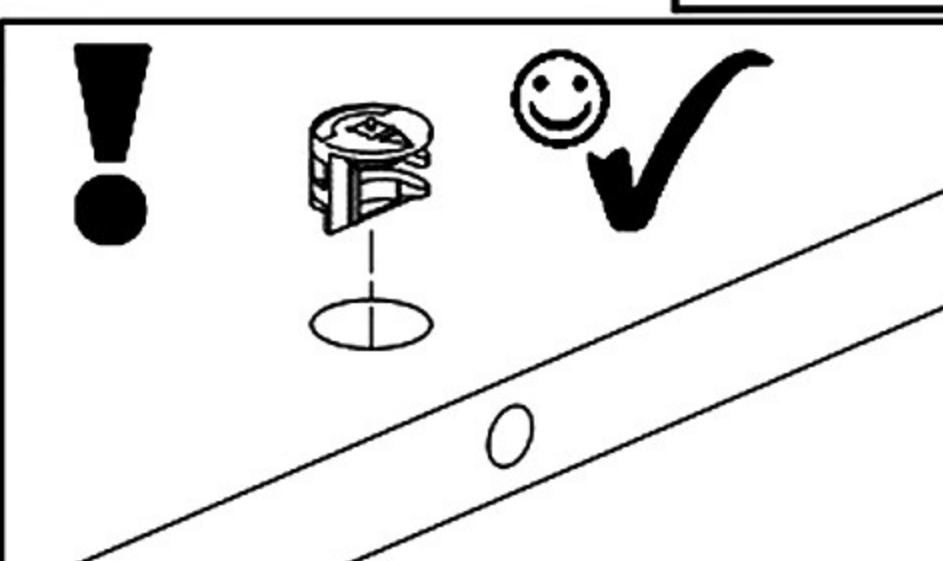
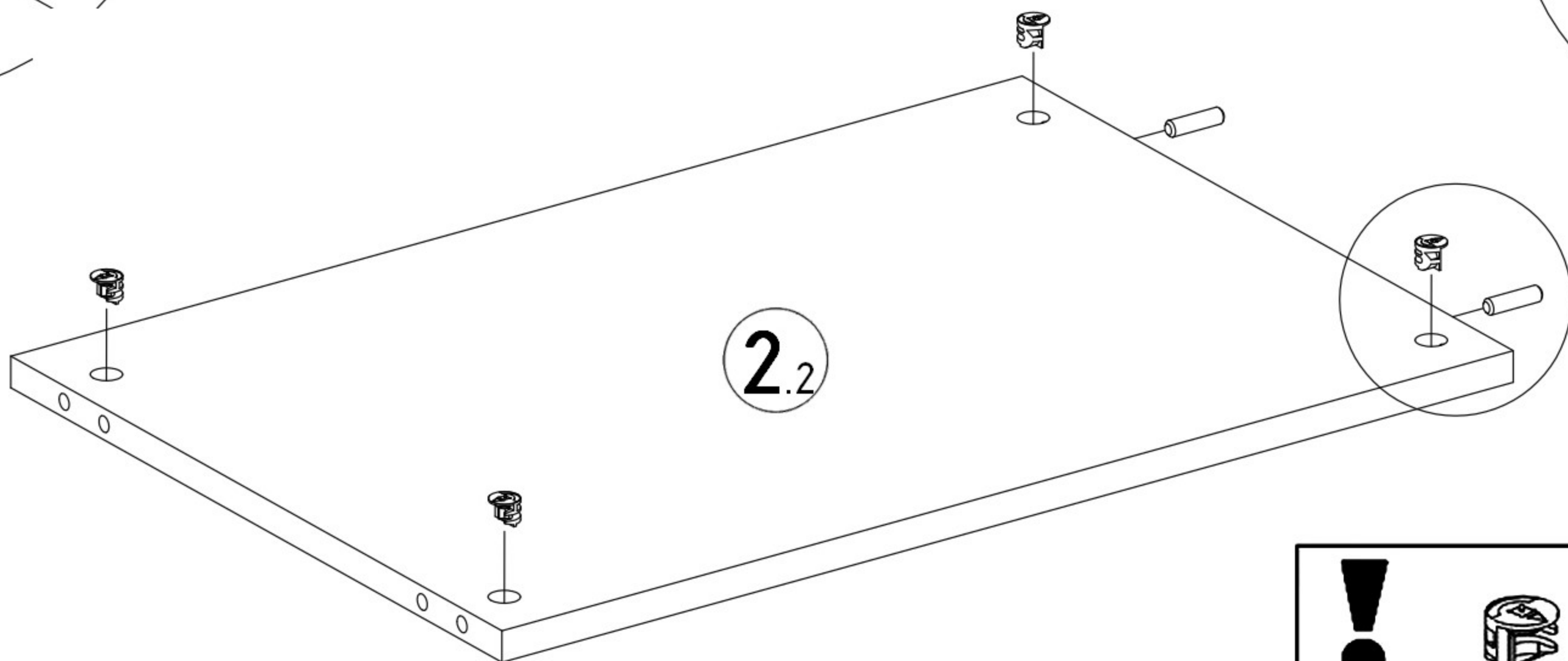
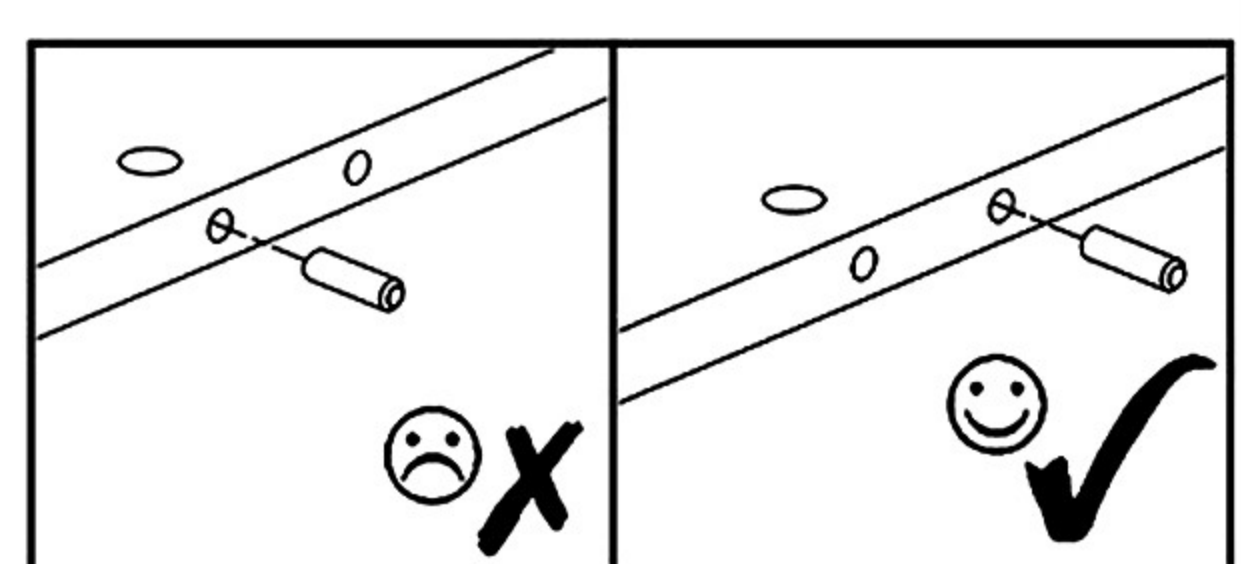
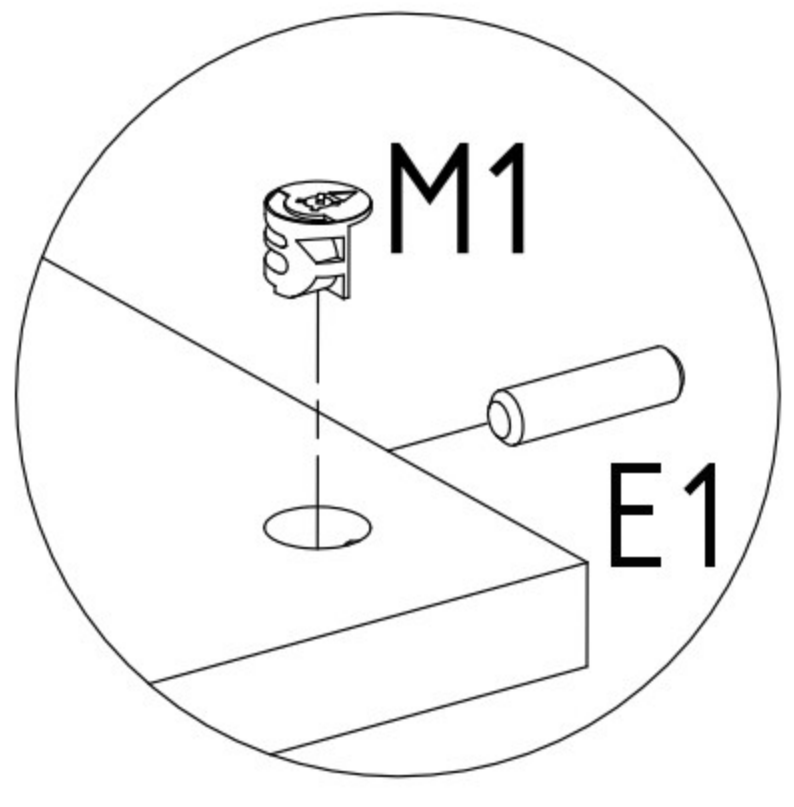
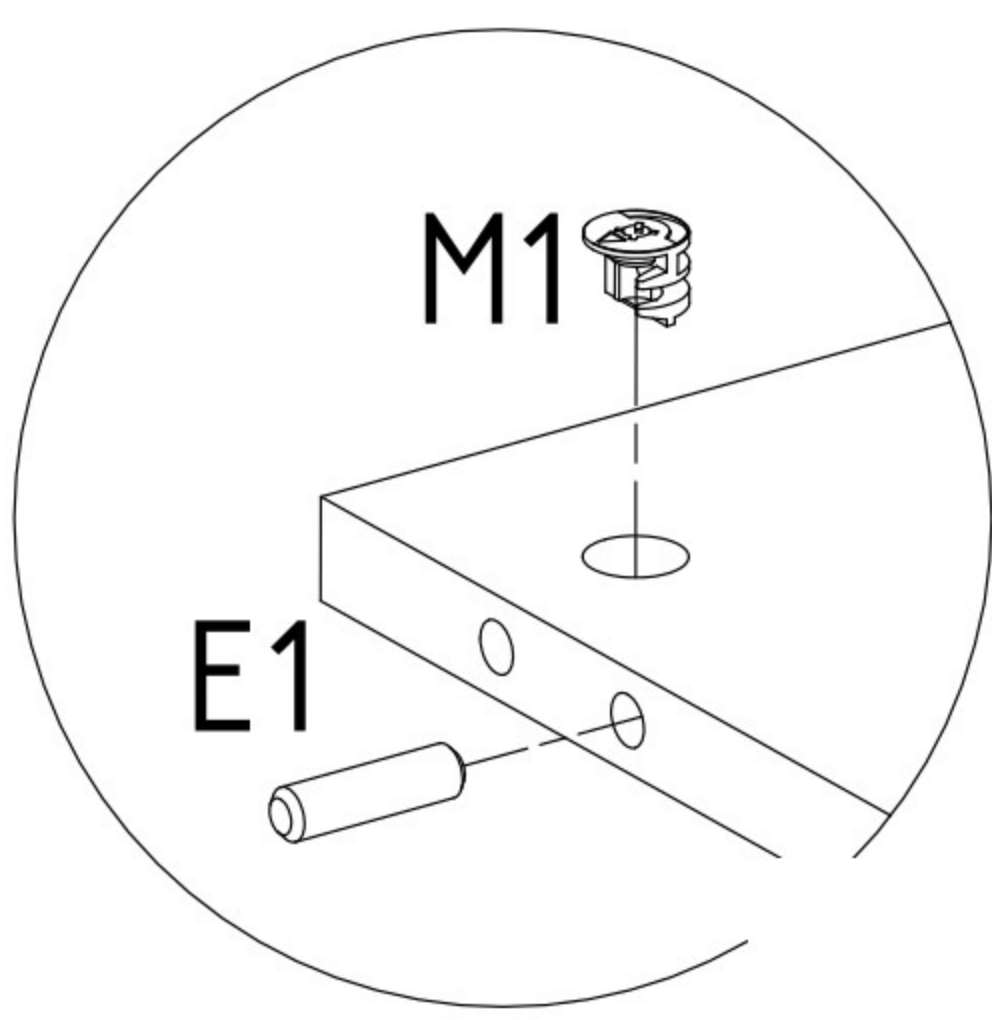
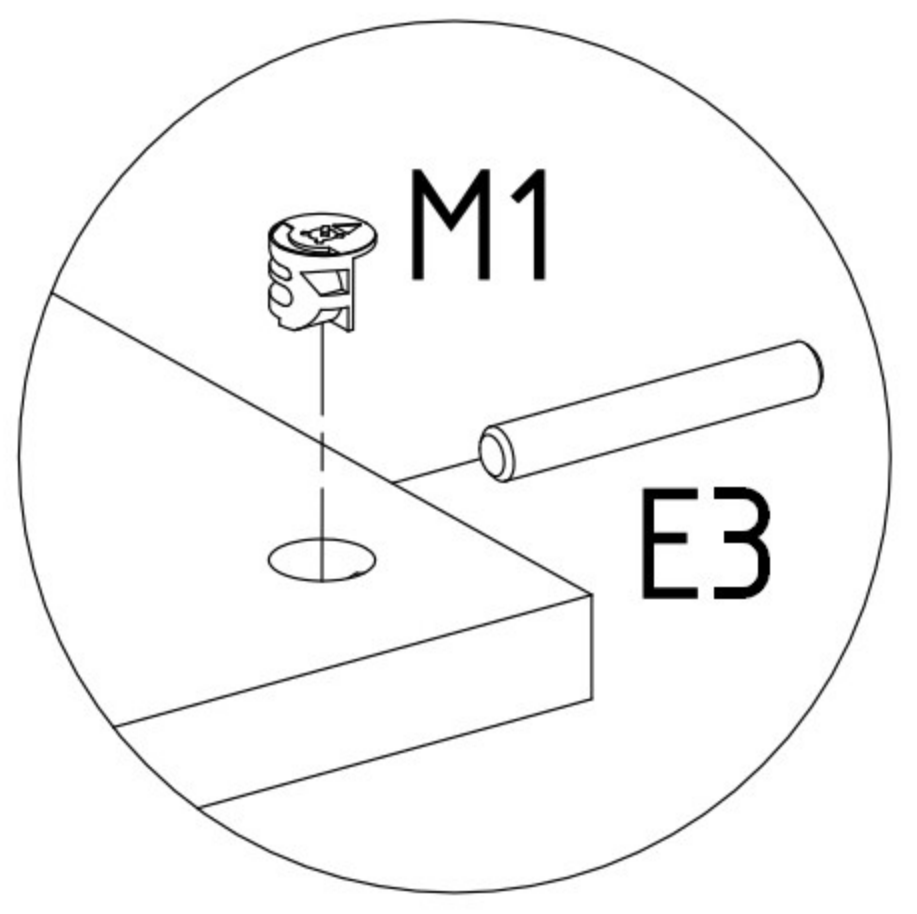
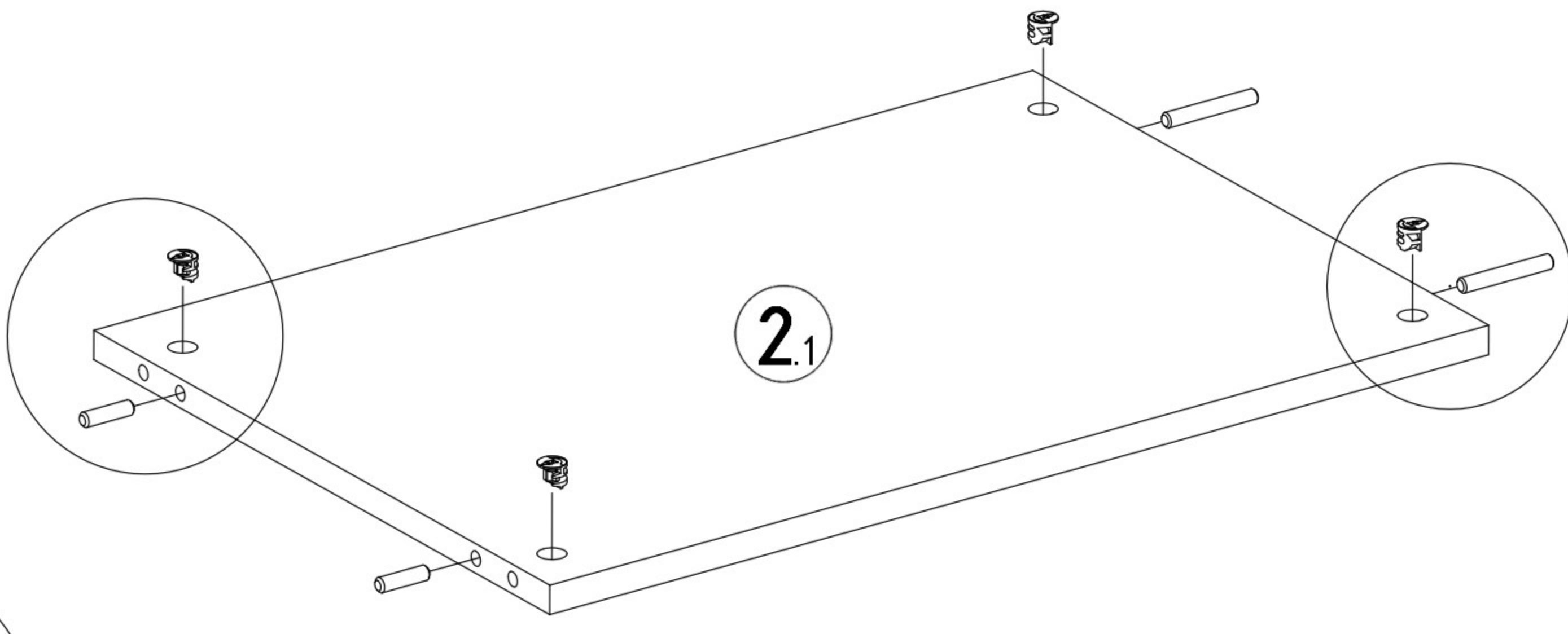
M2

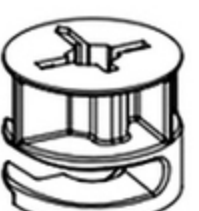

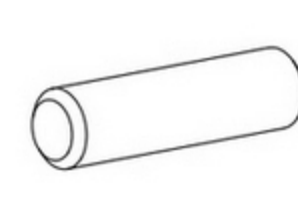
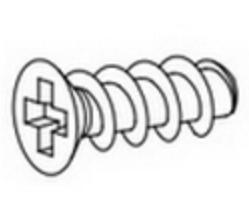
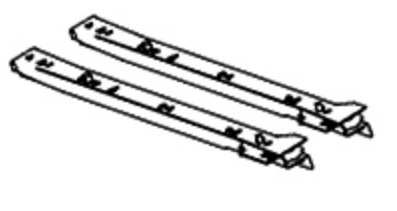
S-A 16mm x2

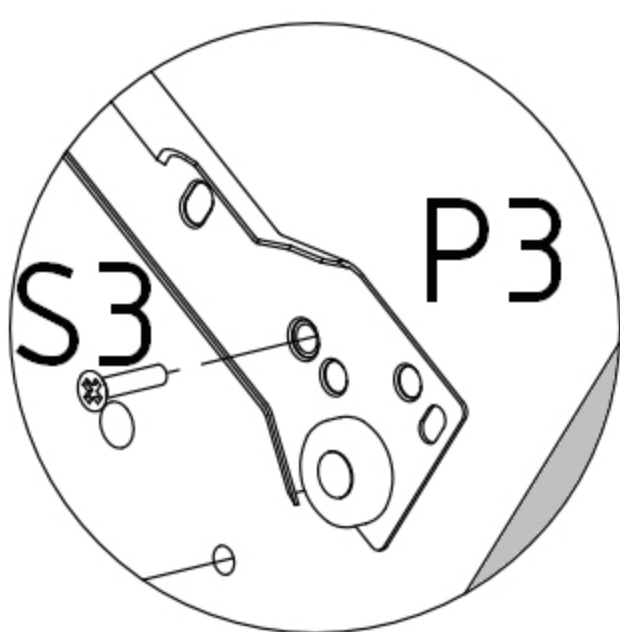
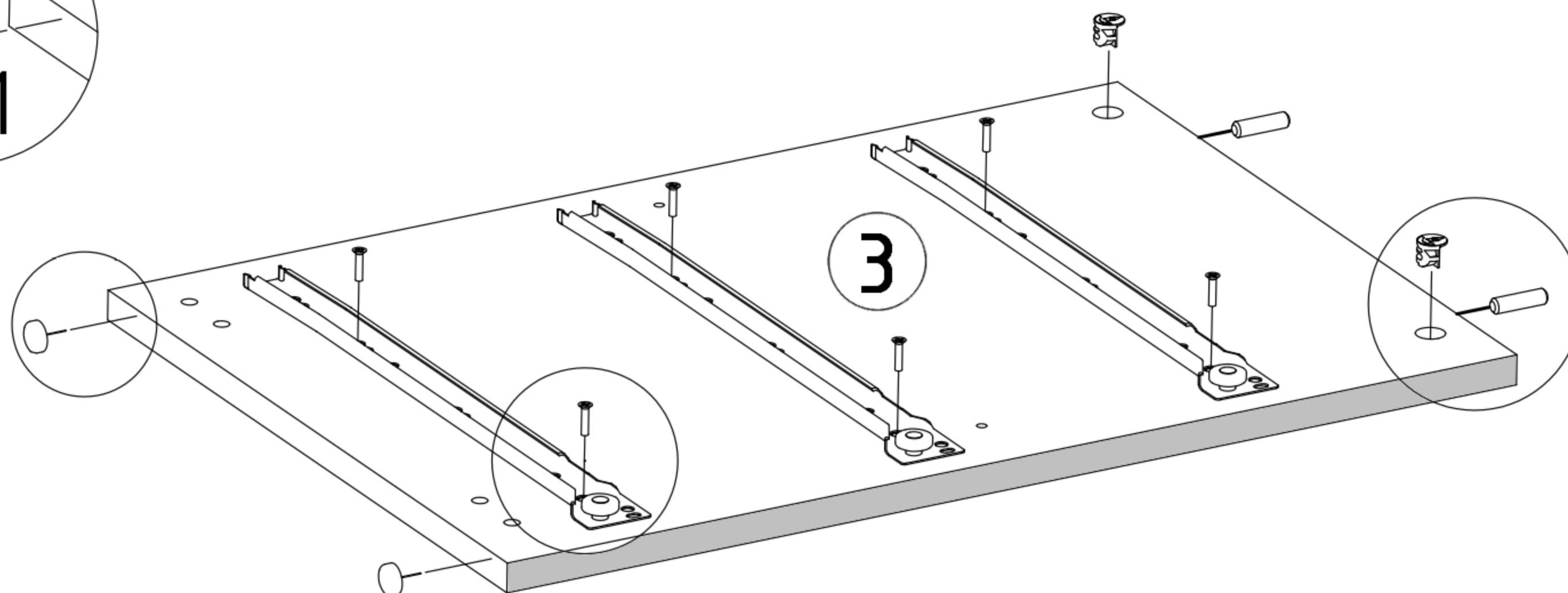
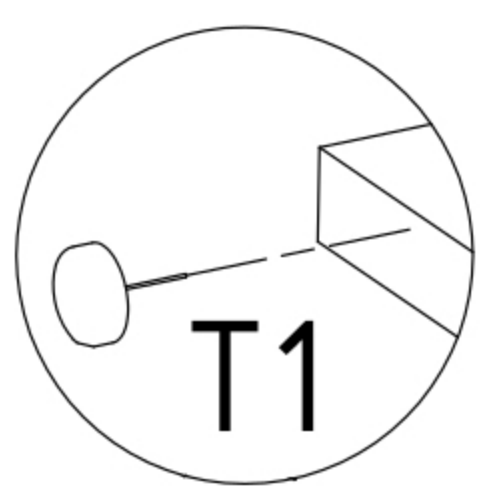
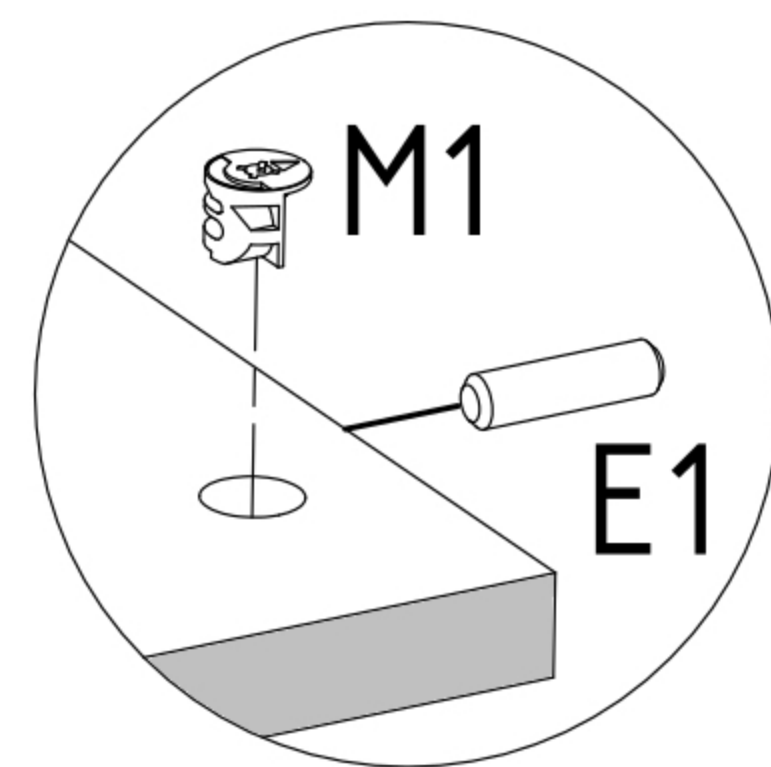
M1  12x15mm x2	N1  L=35mm x2	E1  8x30mm x2	S3  6x8mm x6	P3  L=350mm x3	T1  x2
--	---	---	--	--	--

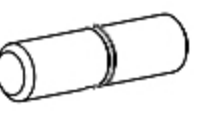


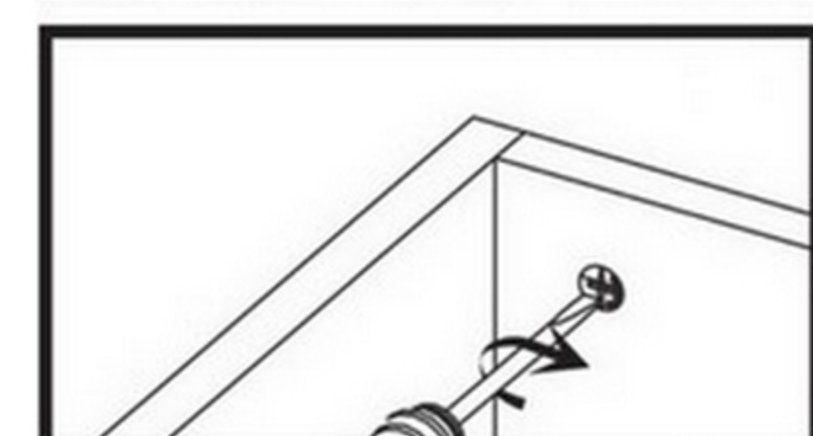
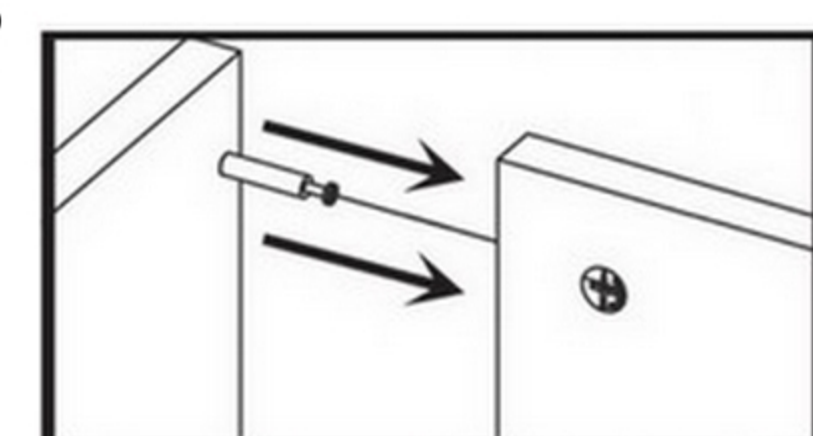
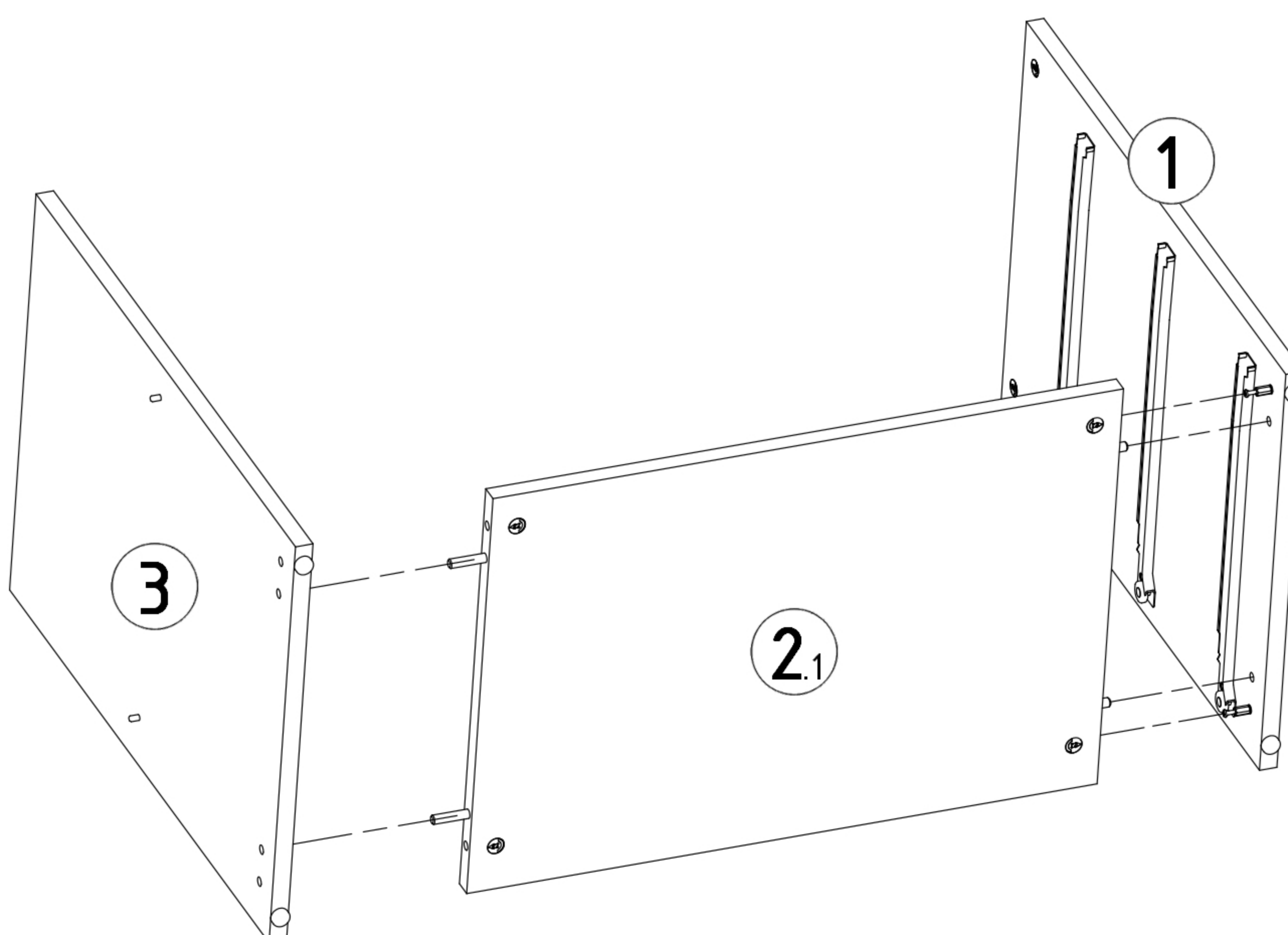
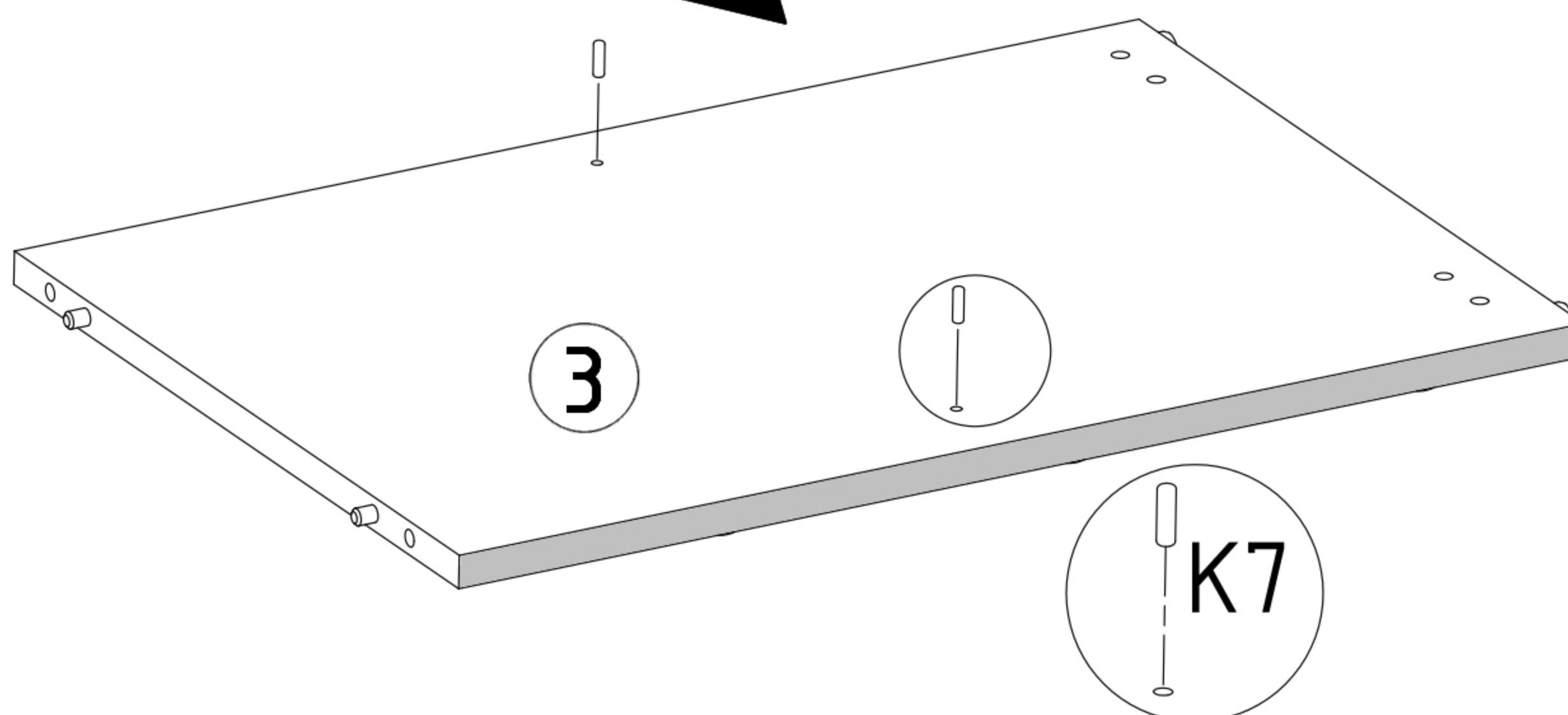
M1  12x15mm x8	E3  8x50mm x2	E1  8x30mm x4
--	---	---



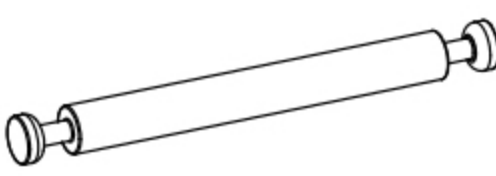
<p>M1</p>  <p>12x15mm x2</p>	<p>T1</p>  <p>x2</p>	<p>E1</p>  <p>8x30mm x2</p>	<p>S3</p>  <p>6x8mm x6</p>	<p>P3</p>  <p>L=350mm x3</p>
--	--	---	--	--



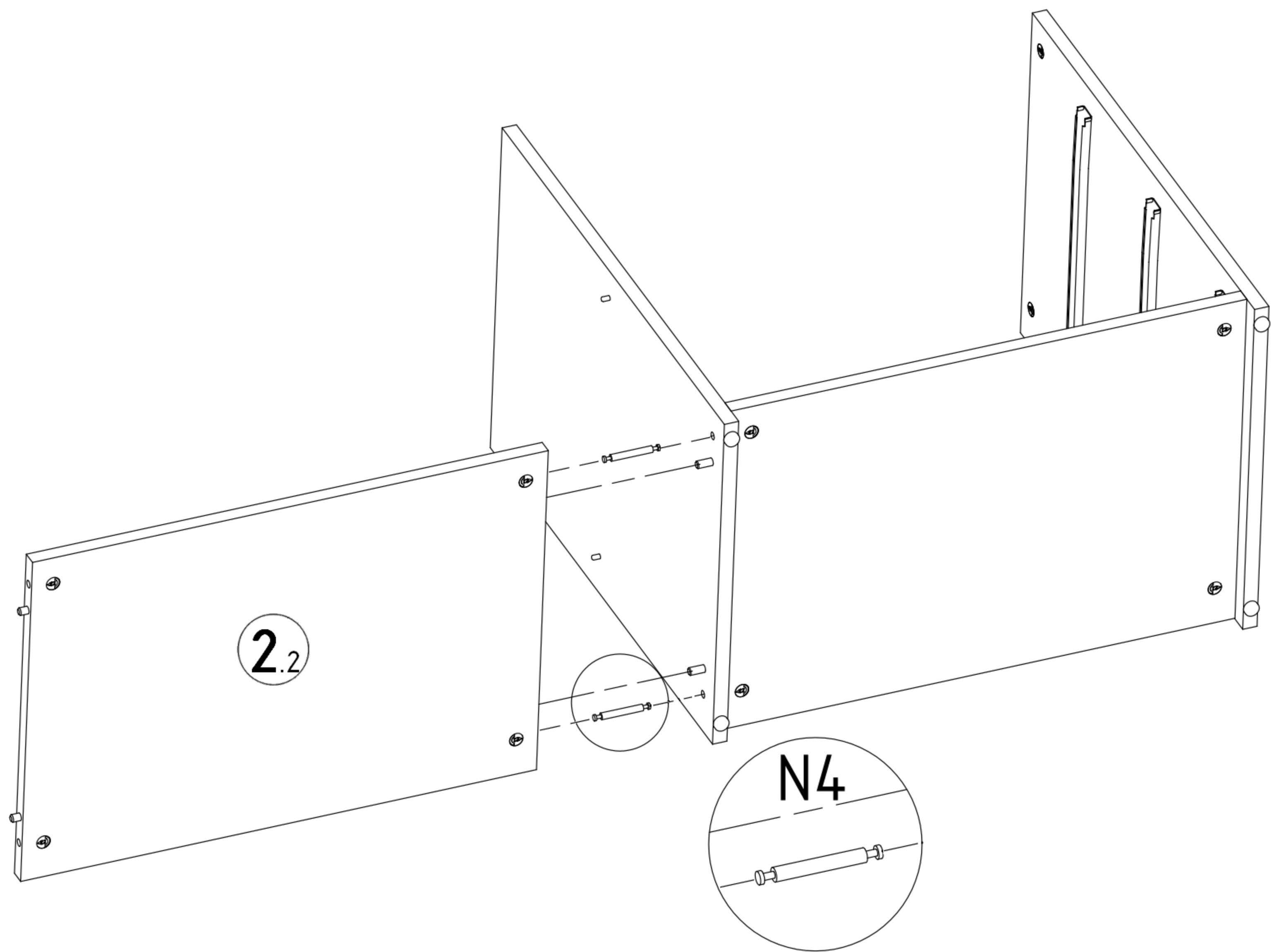
<p>K7</p>  <p>5x16mm x2</p>


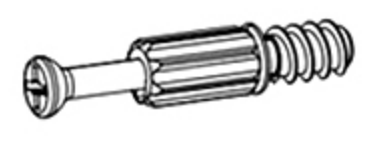

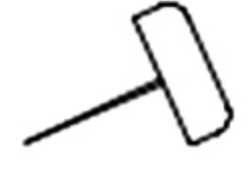
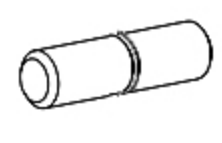


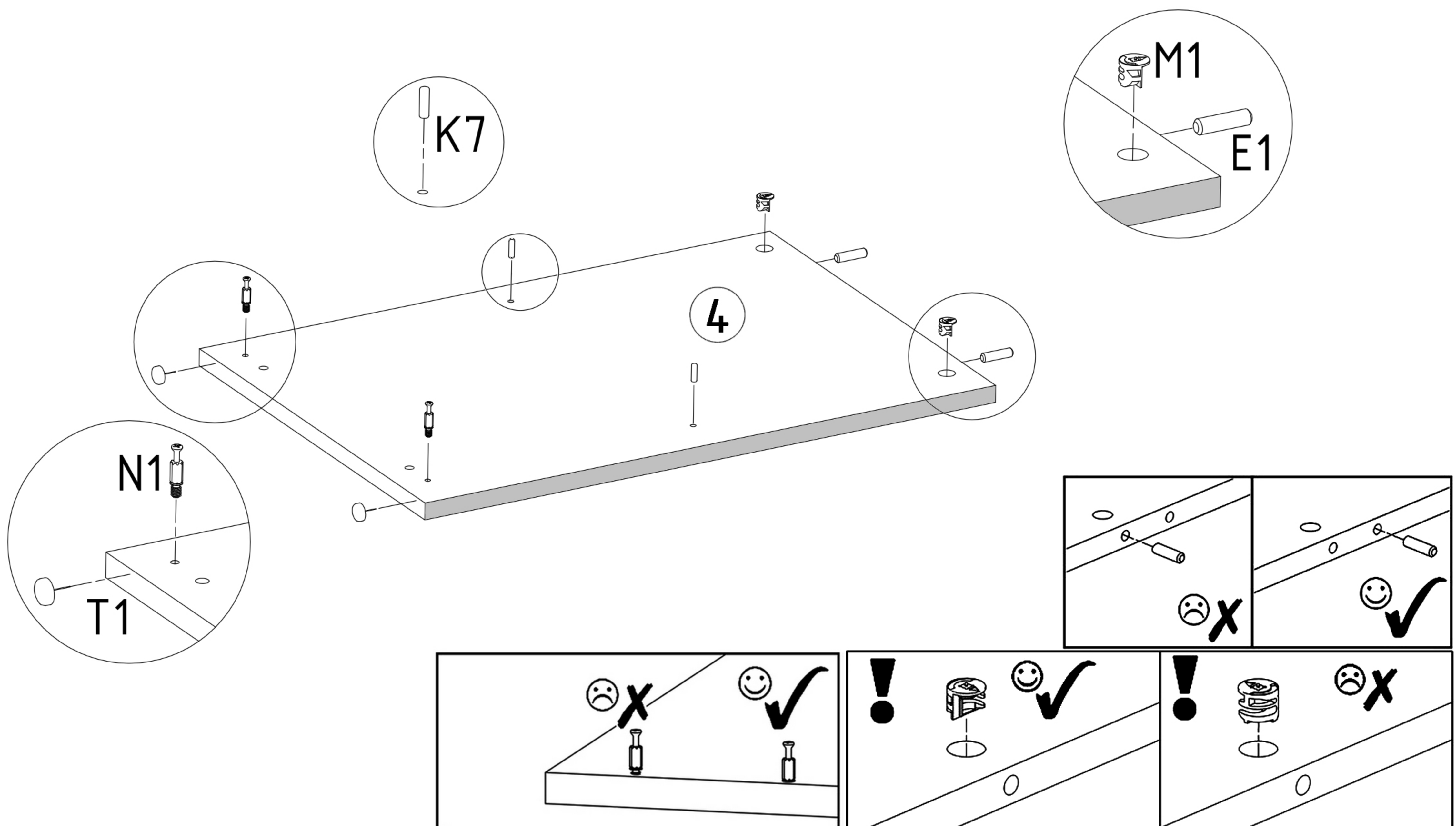
N4

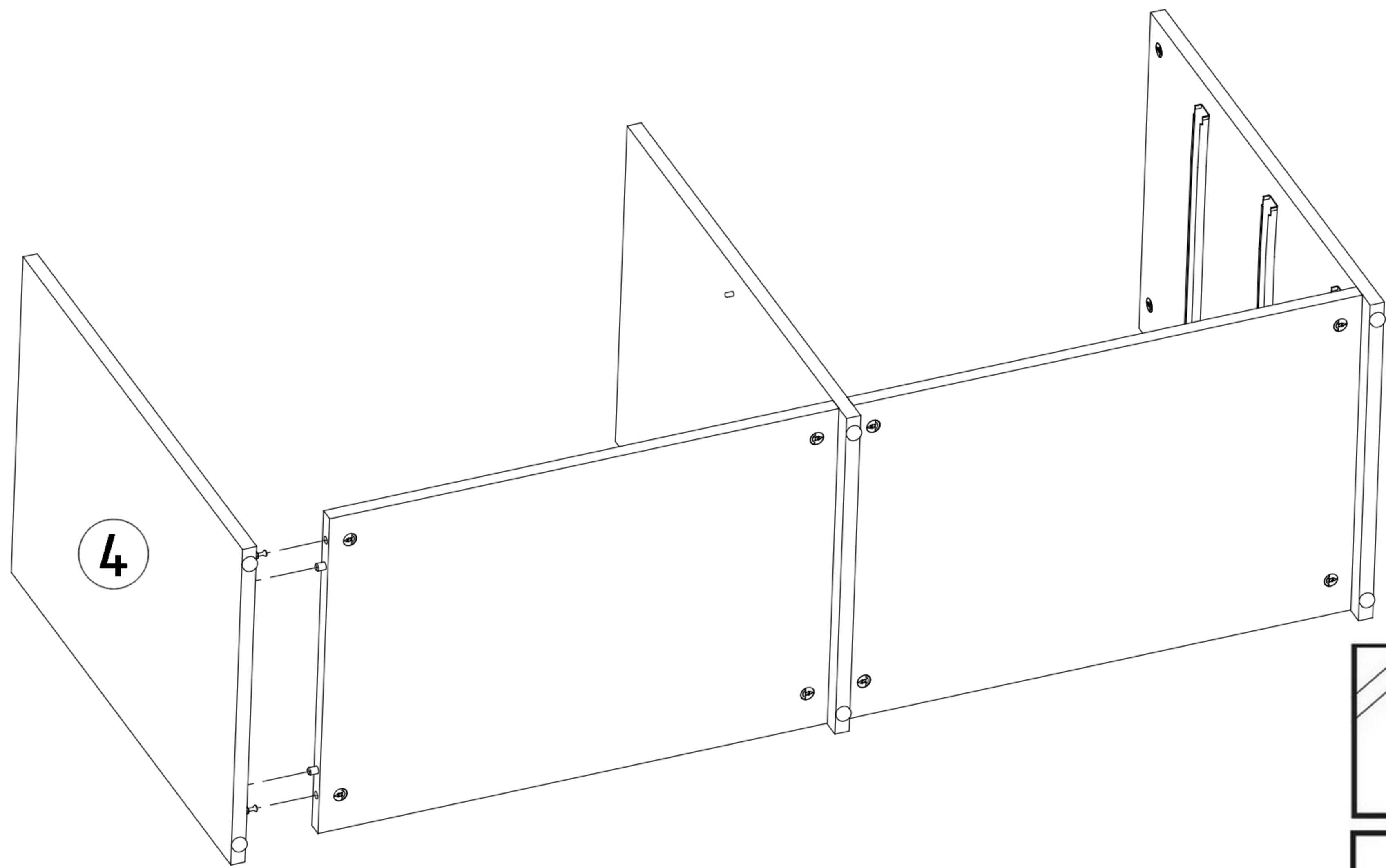


L=62mm **x2**

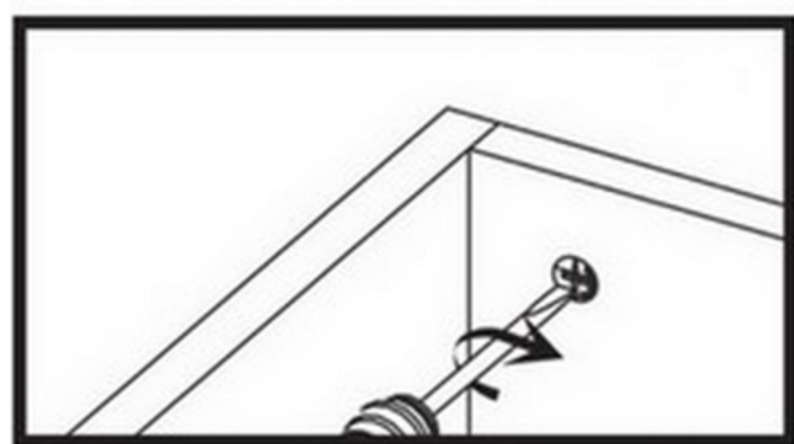
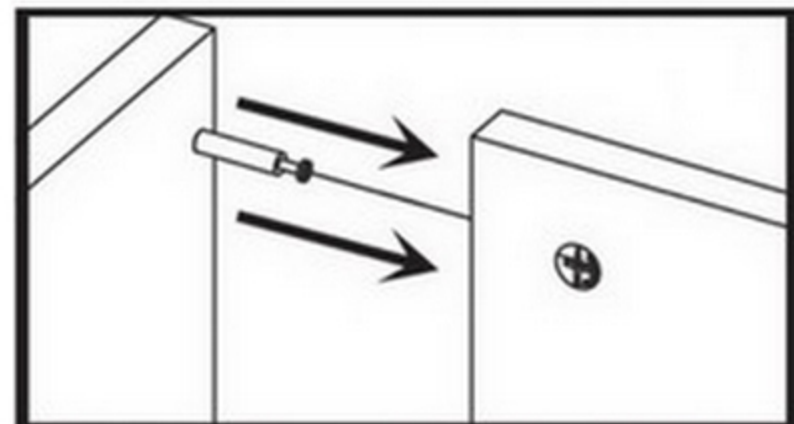


<p>M1</p>  <p>12x15mm x2</p>	<p>N1</p>  <p>L=35mm x2</p>	<p>E1</p>  <p>8x30mm x2</p>	<p>T1</p>  <p>x2</p>	<p>K7</p>  <p>5x16mm x2</p>
---	--	--	---	--

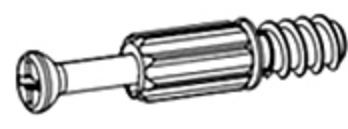




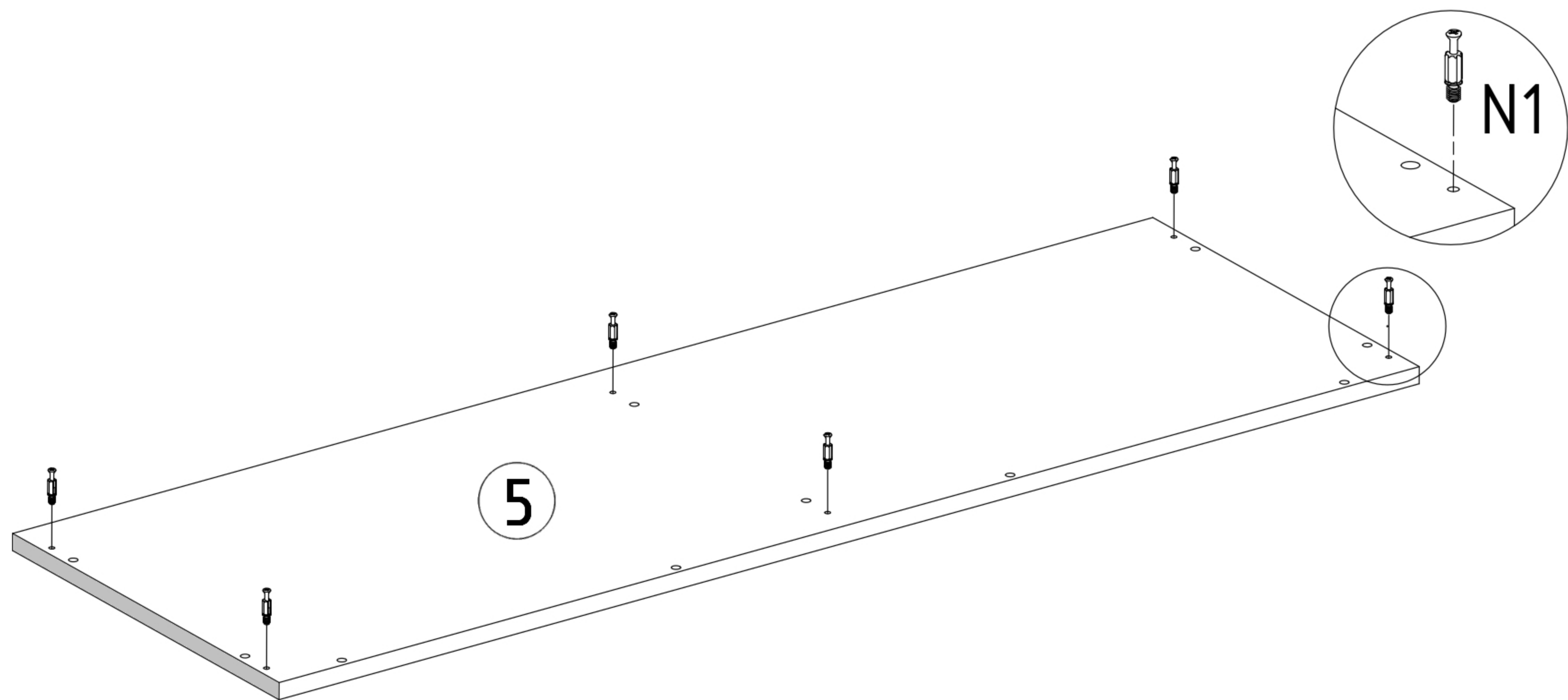
4



N1

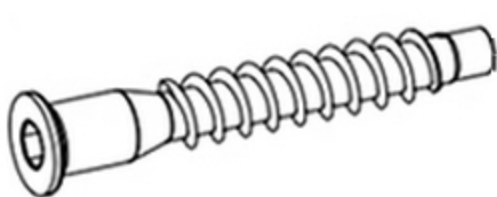
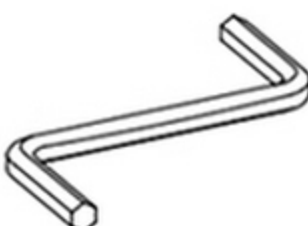


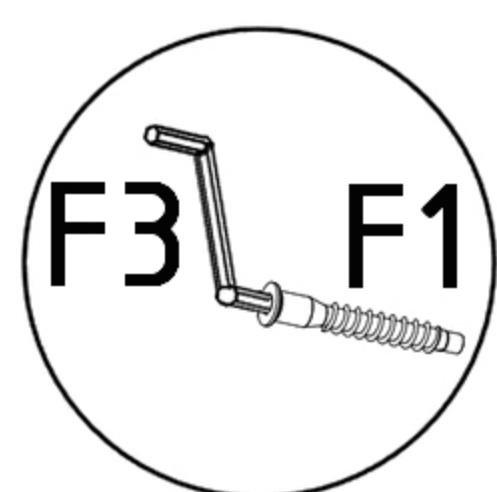
L=35mm **x6**



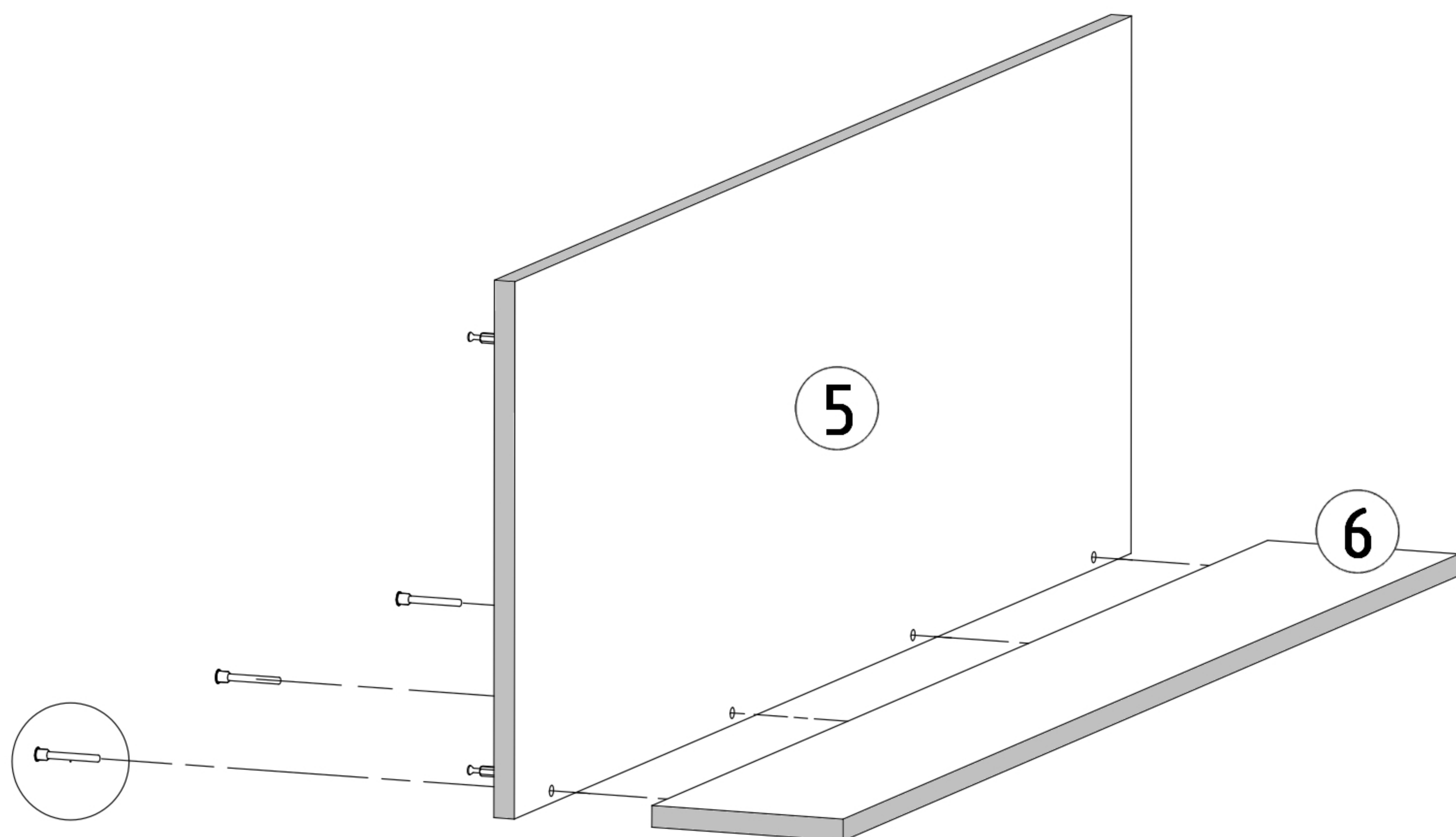
5

N1

F1	F3
	
7x50mm x4	

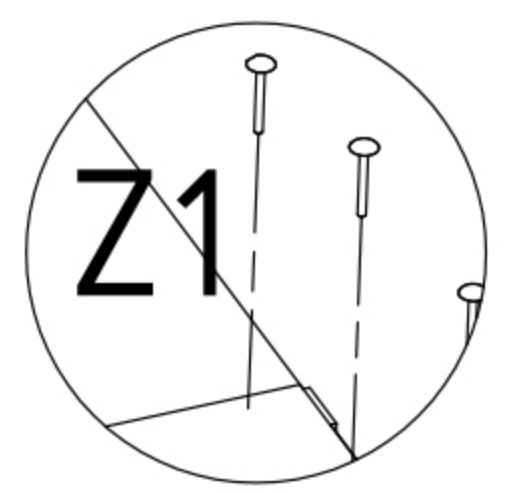
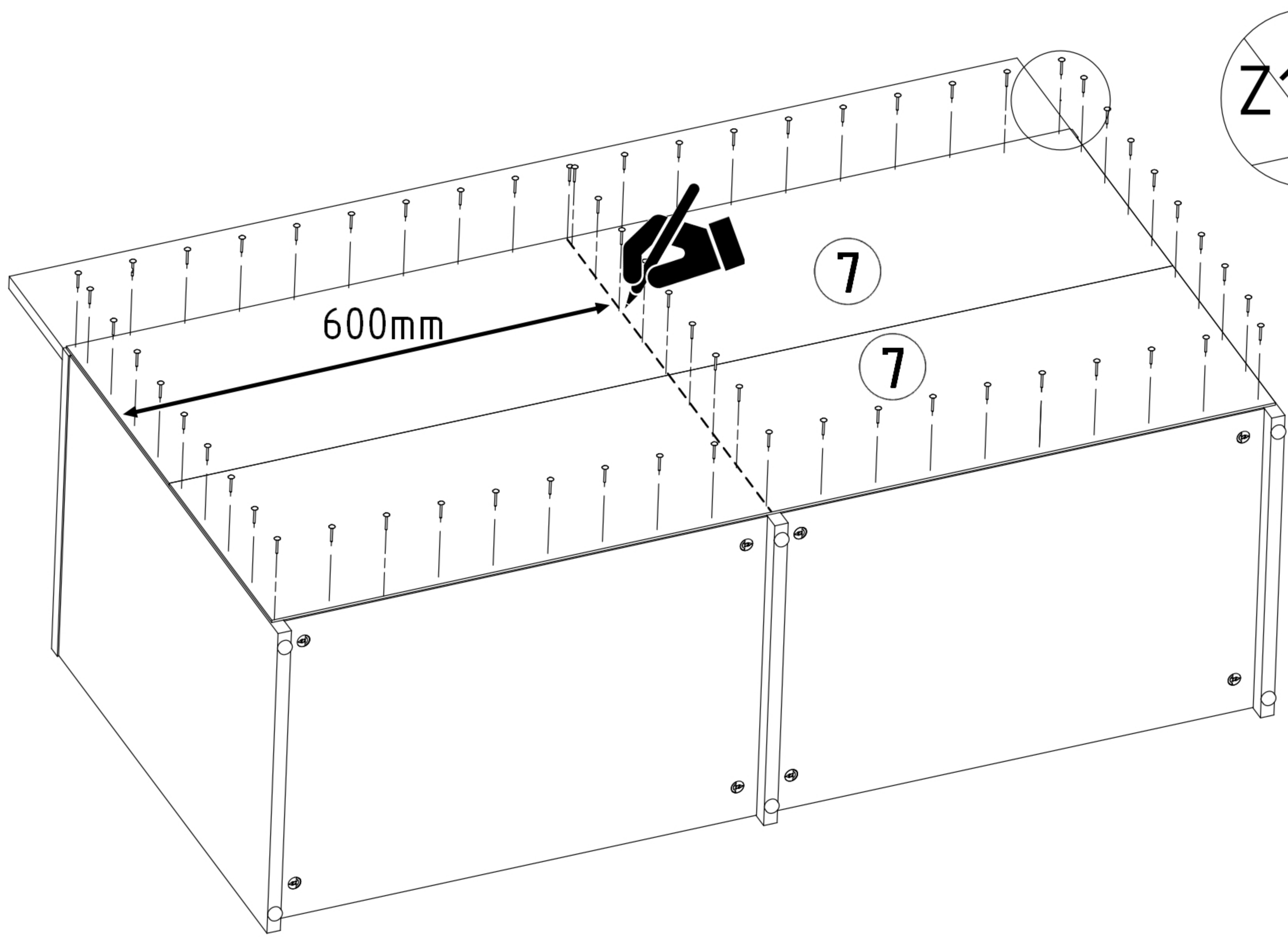
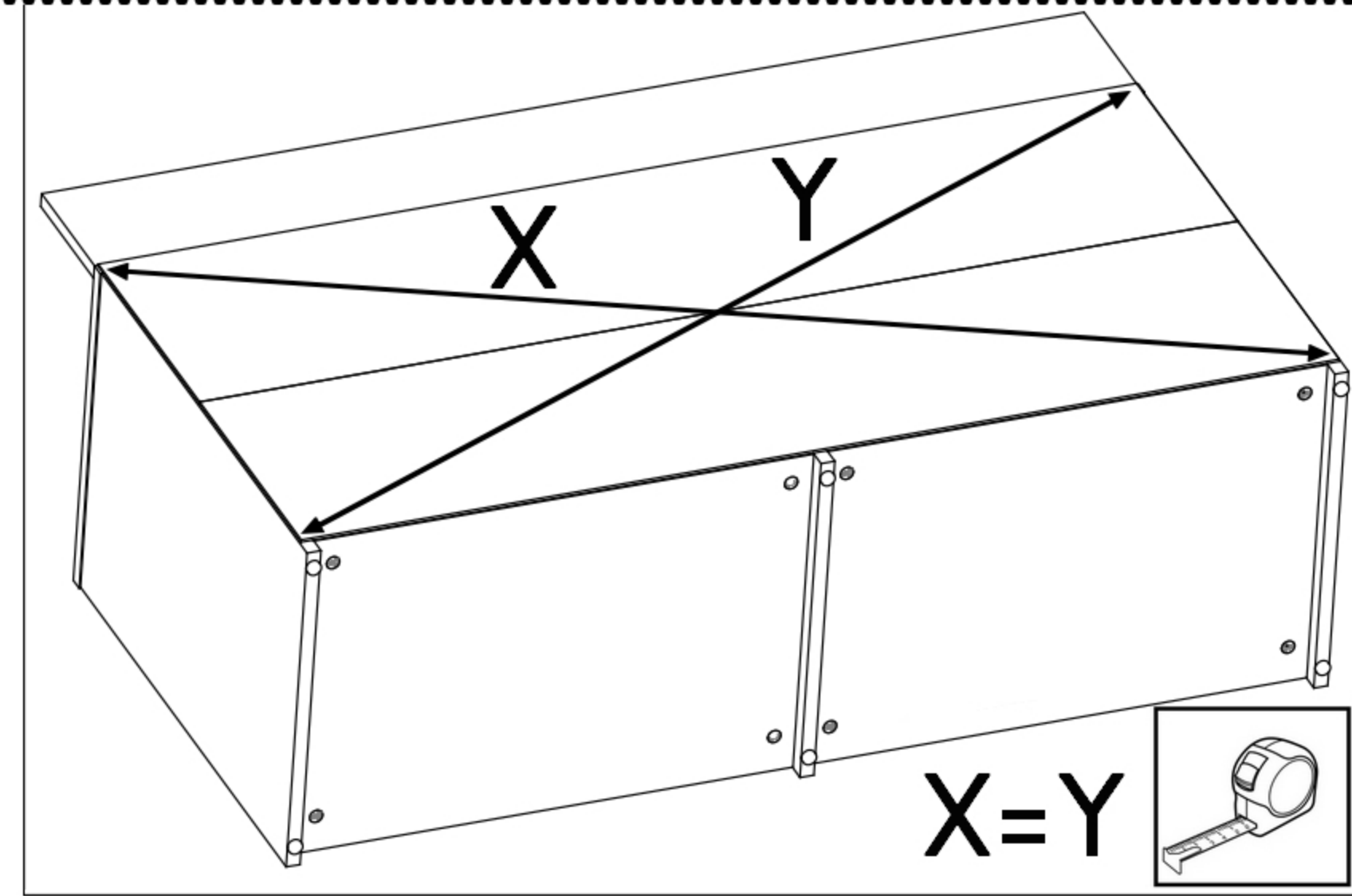
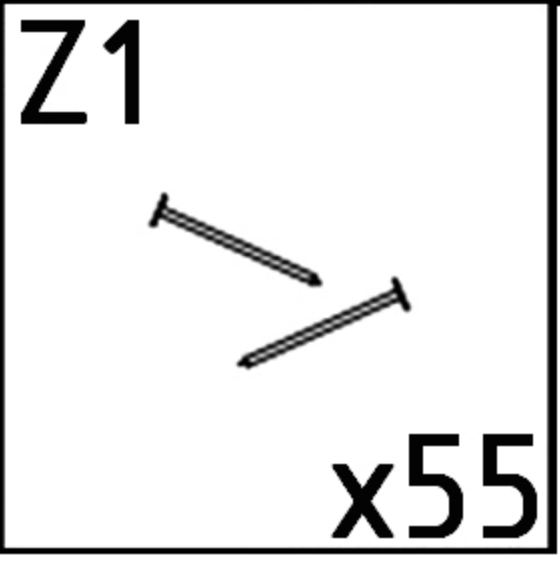
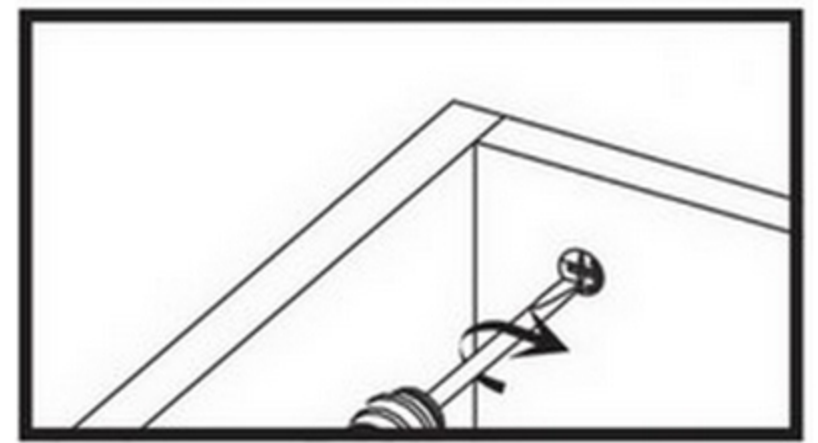
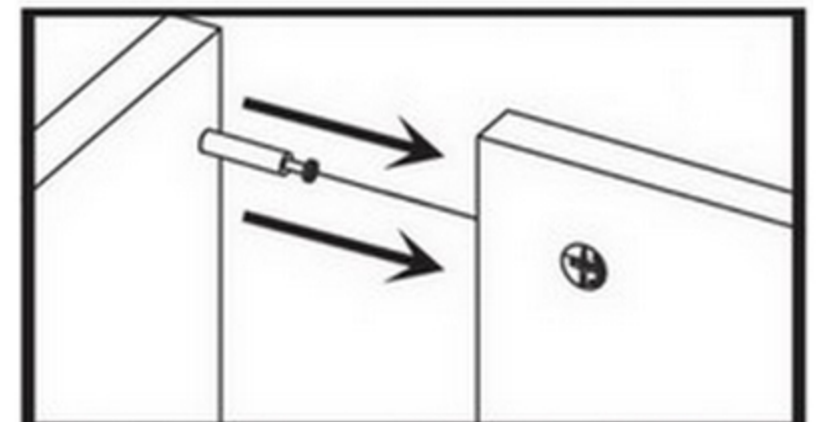
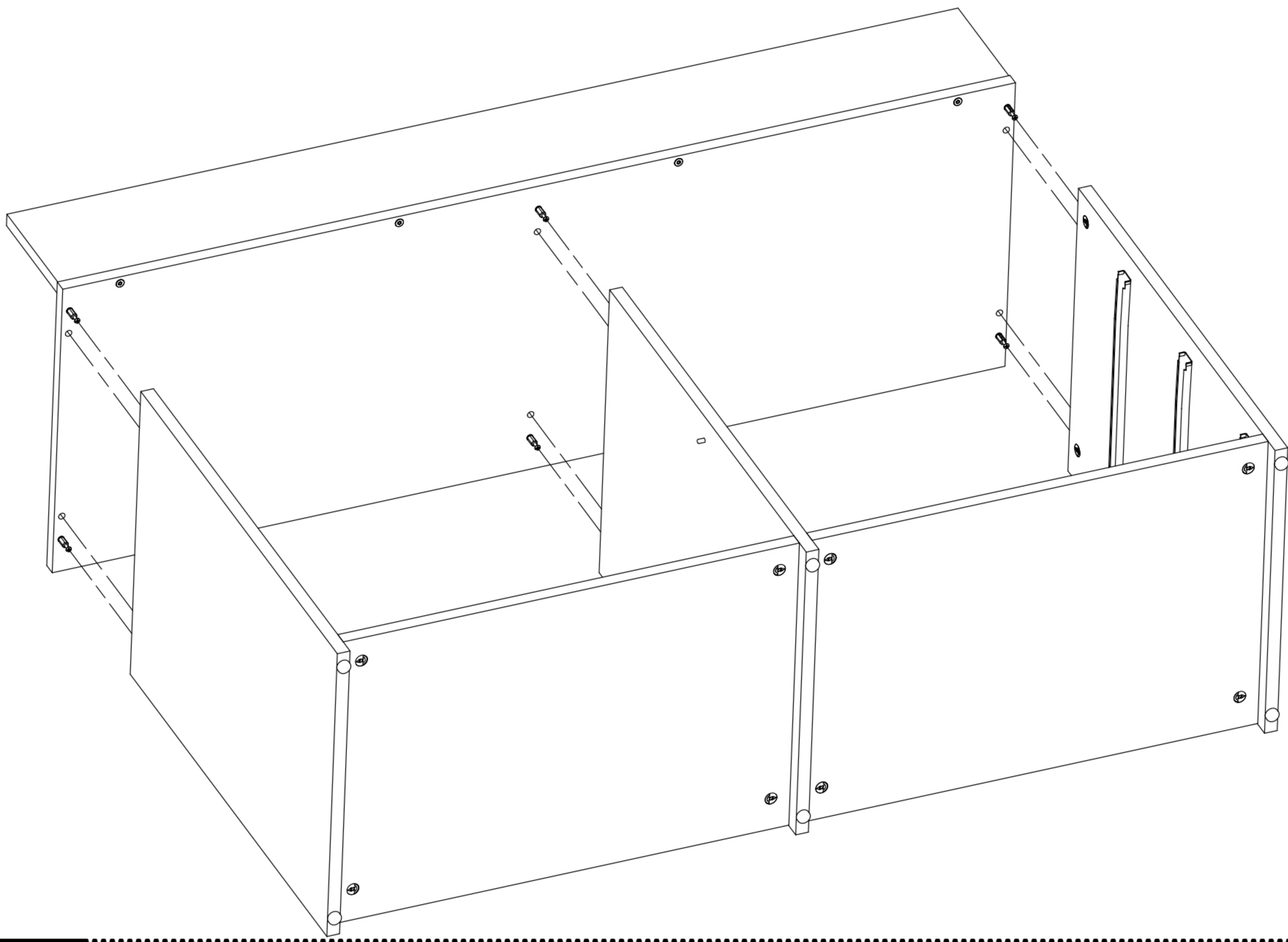



F3 F1

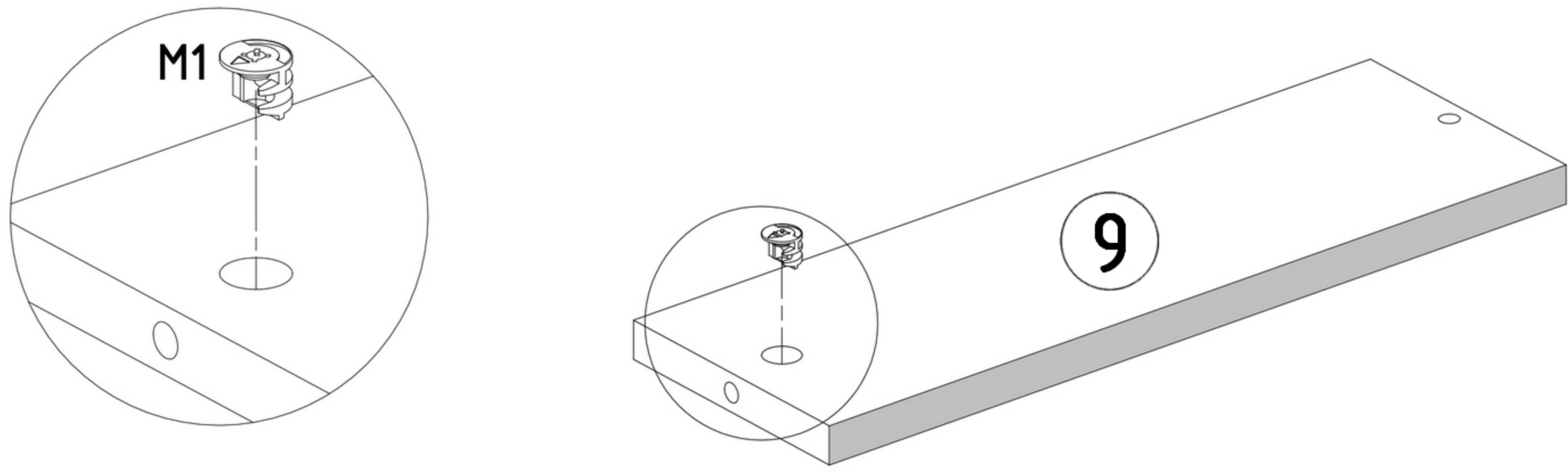


5

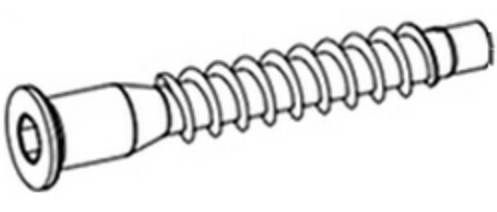
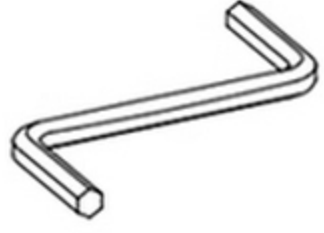
6

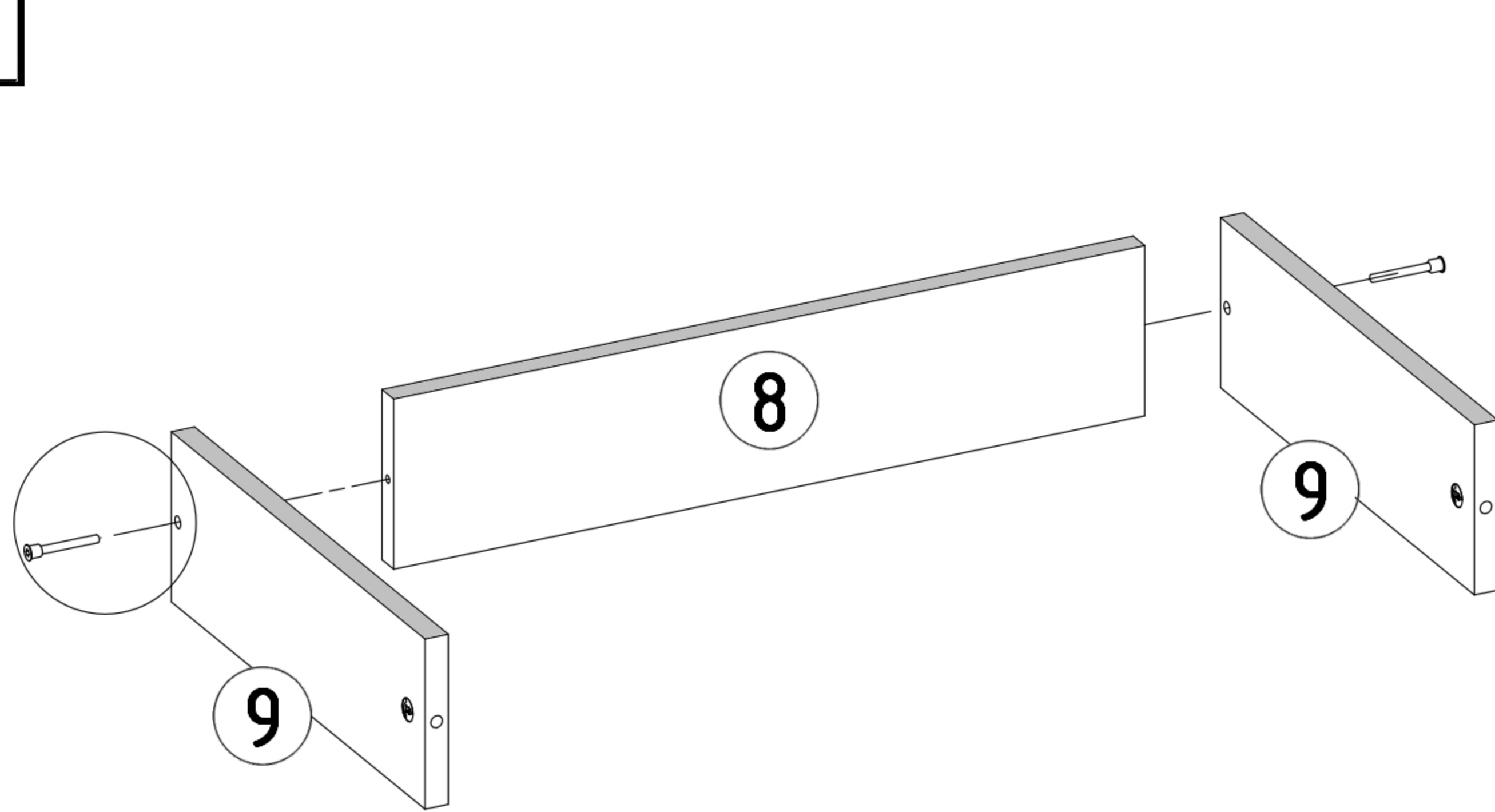


M1

12x15mm **x6**




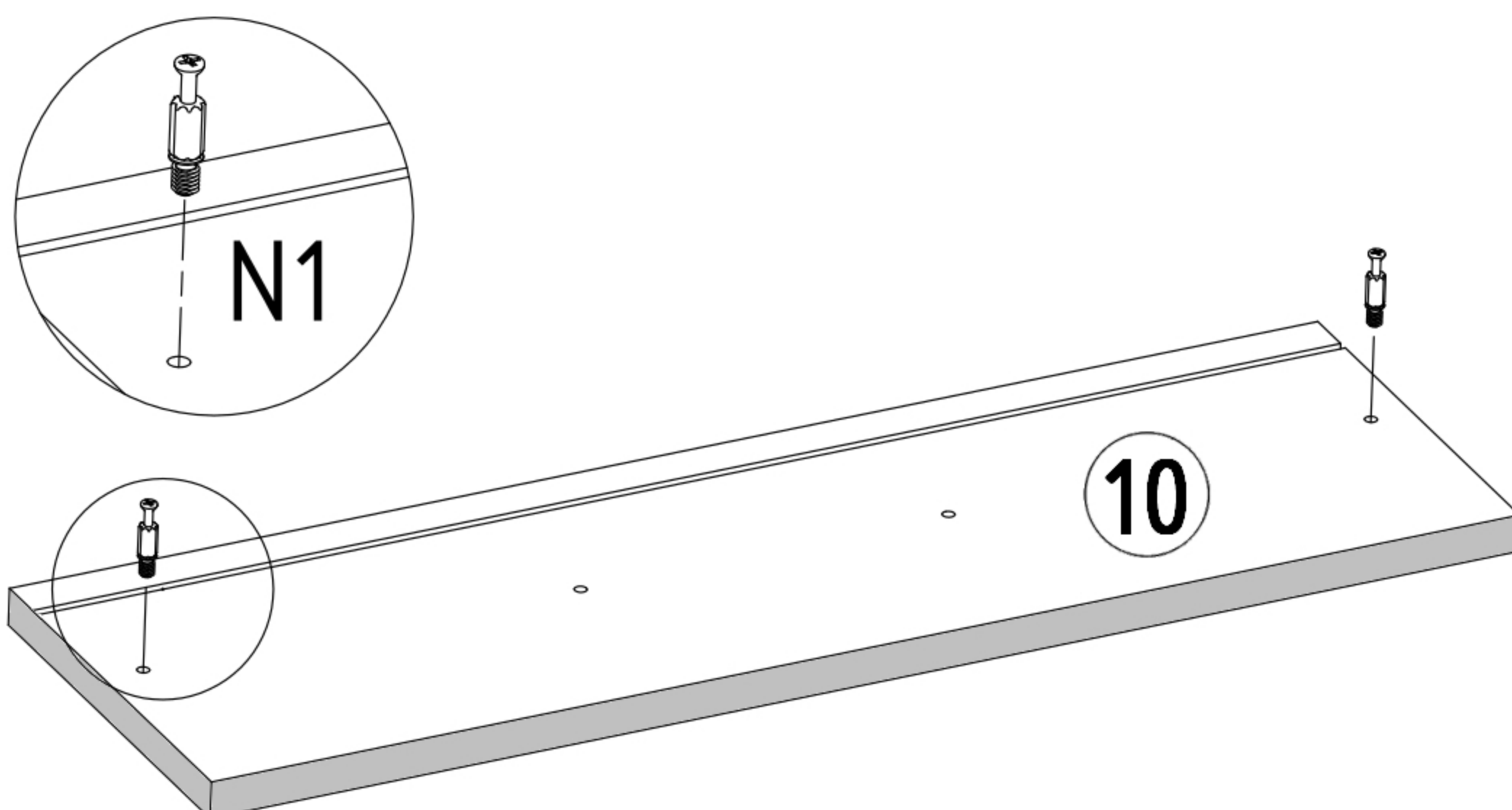
x6

F1 **F3**
 
7x50mm **x6**

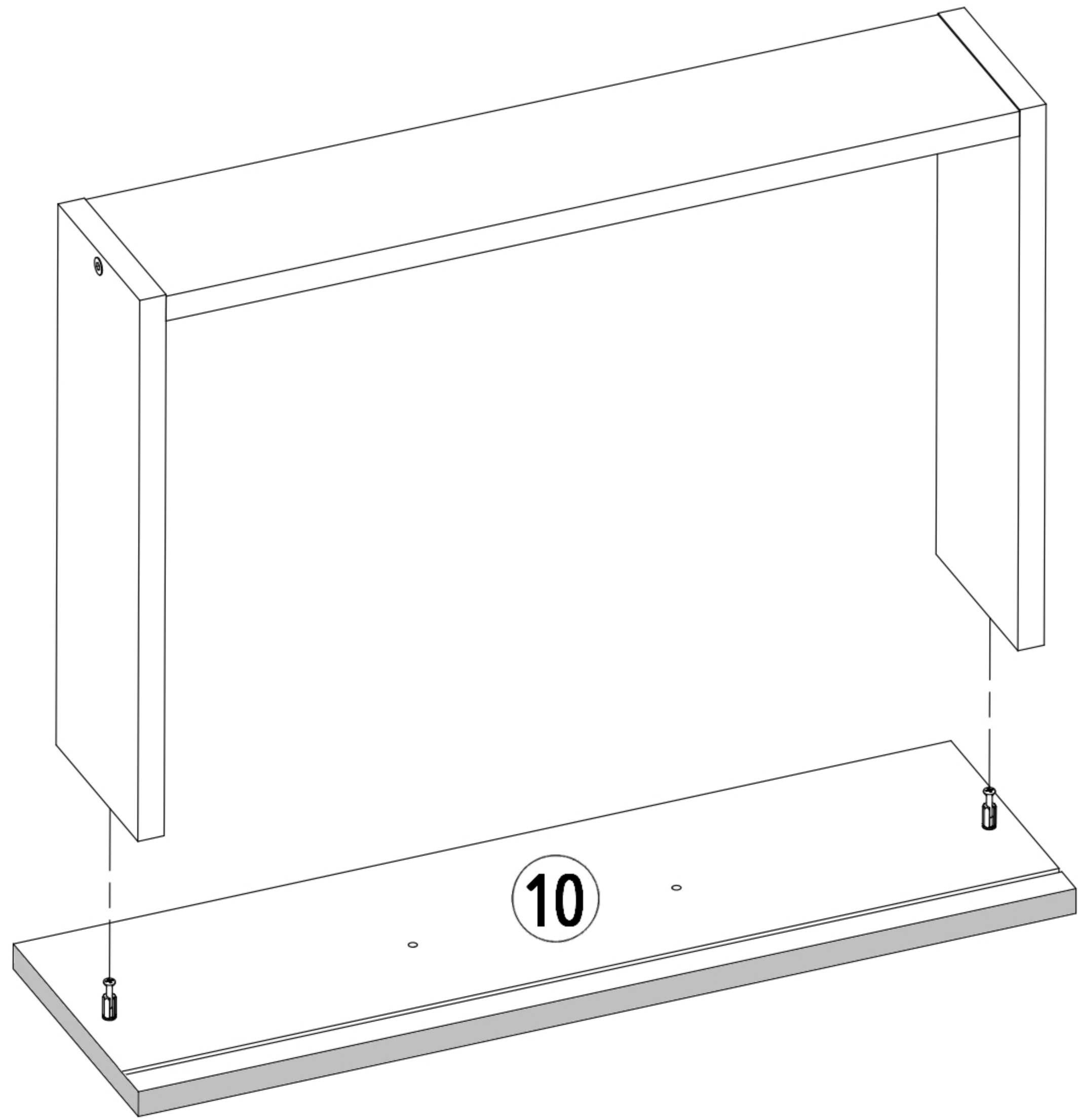


x3

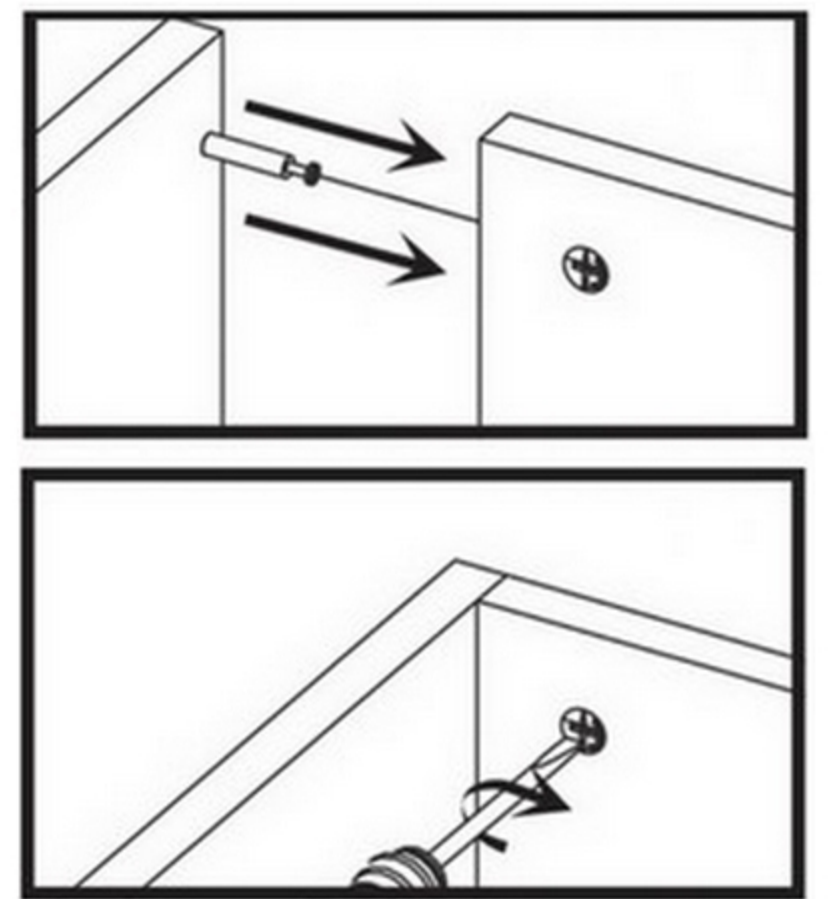
N1

L=35mm **x6**

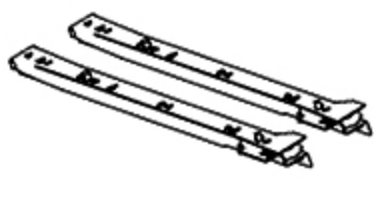

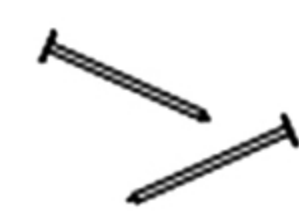
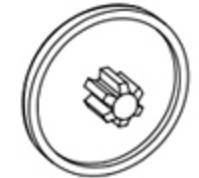


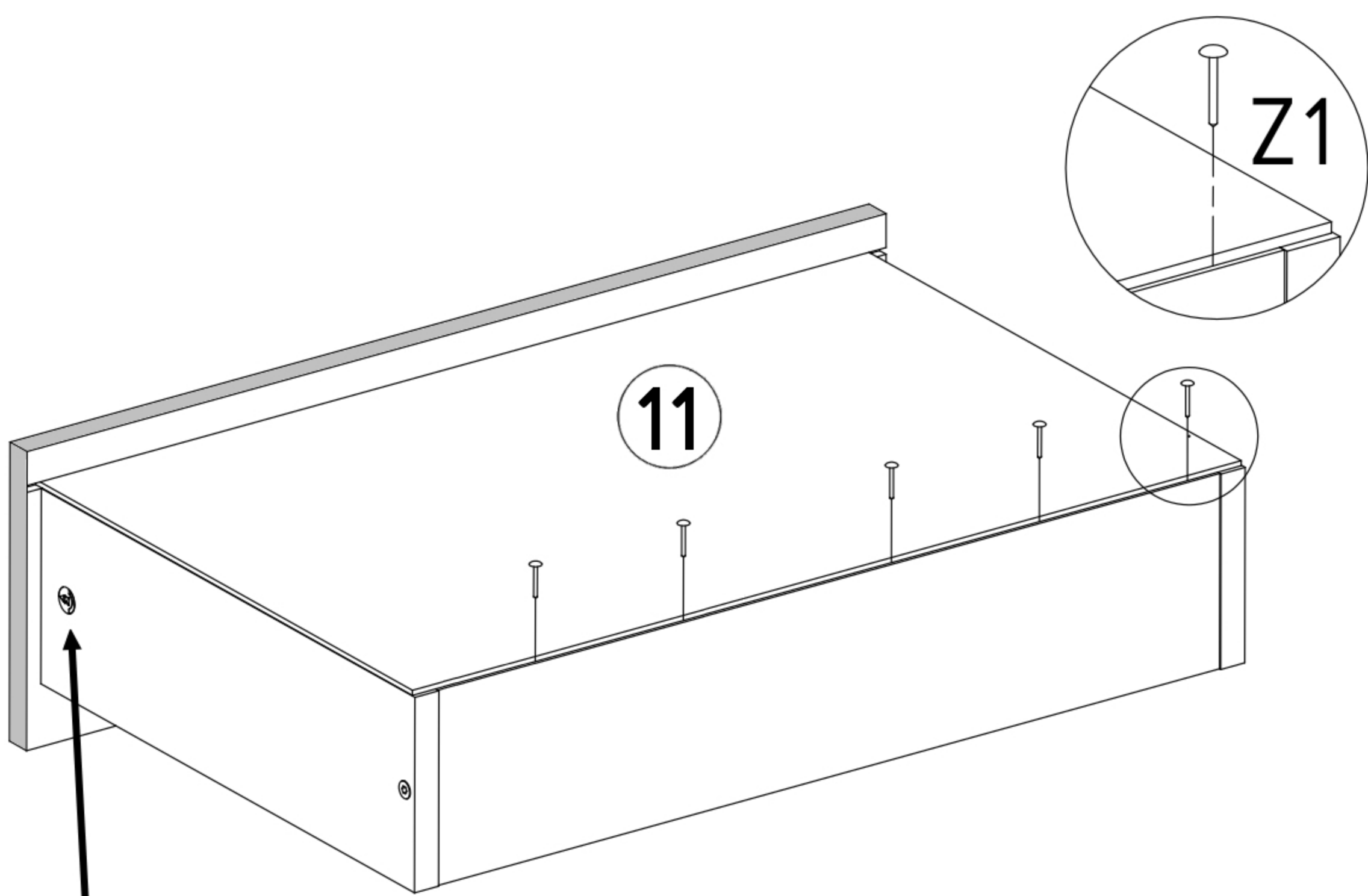
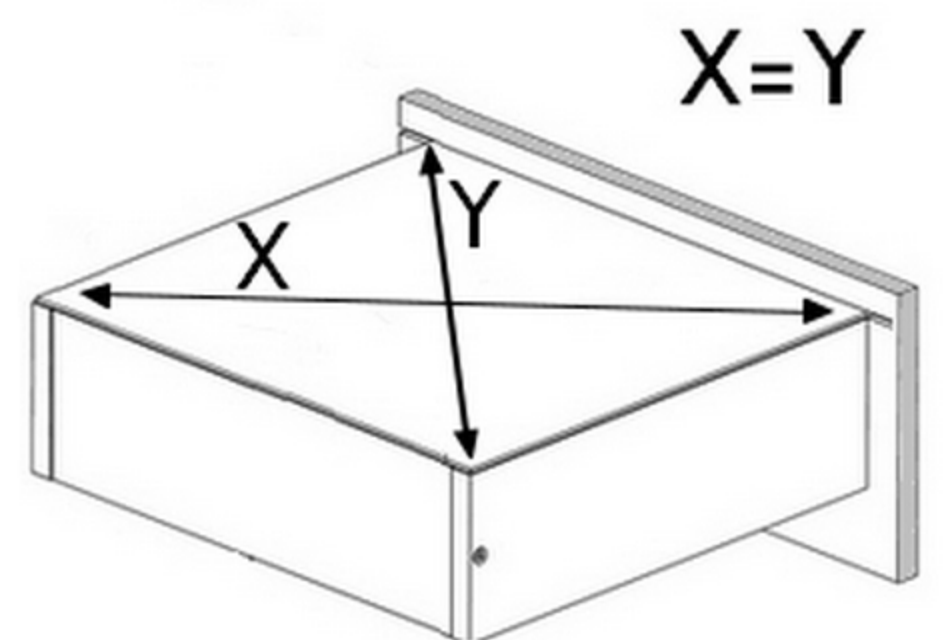
x3



x3

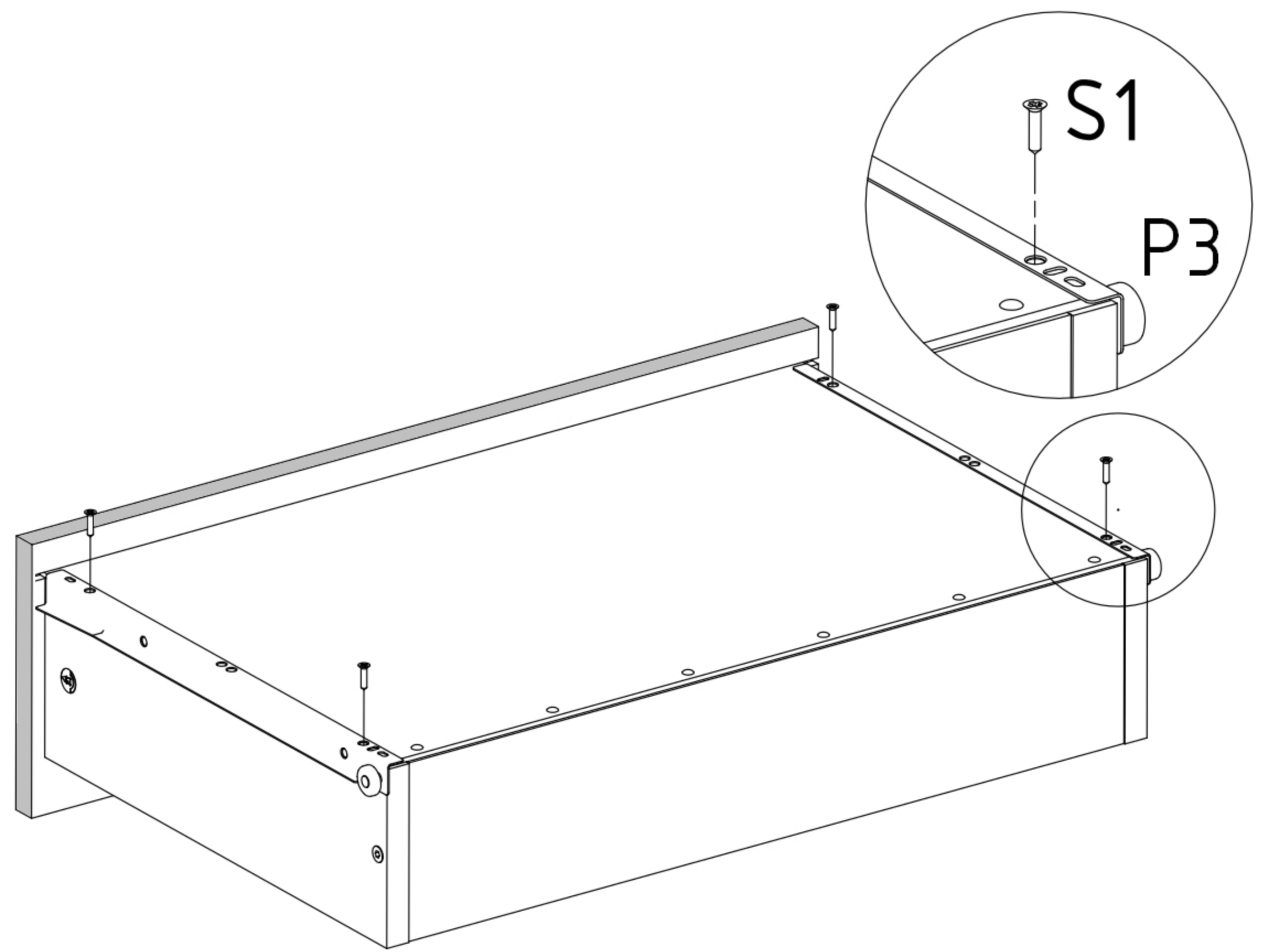


<p>P3</p>  <p>L=350mm x3</p>	<p>S1</p>  <p>3,5x16mm x12</p>	<p>Z1</p>  <p>x15</p>	<p>M2</p>  <p>B_{16mm} x6</p>
---	--	---	---



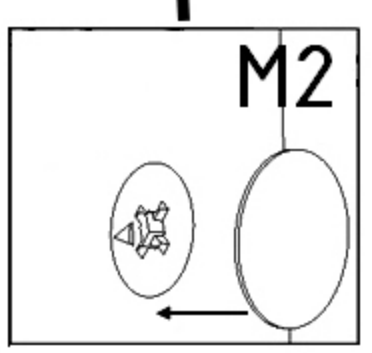
11

Z1



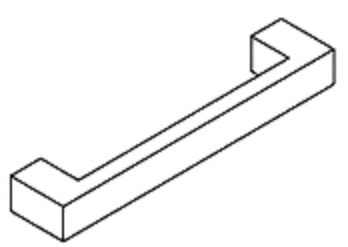
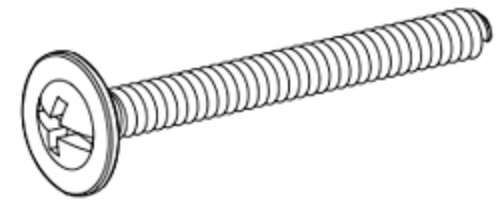
S1

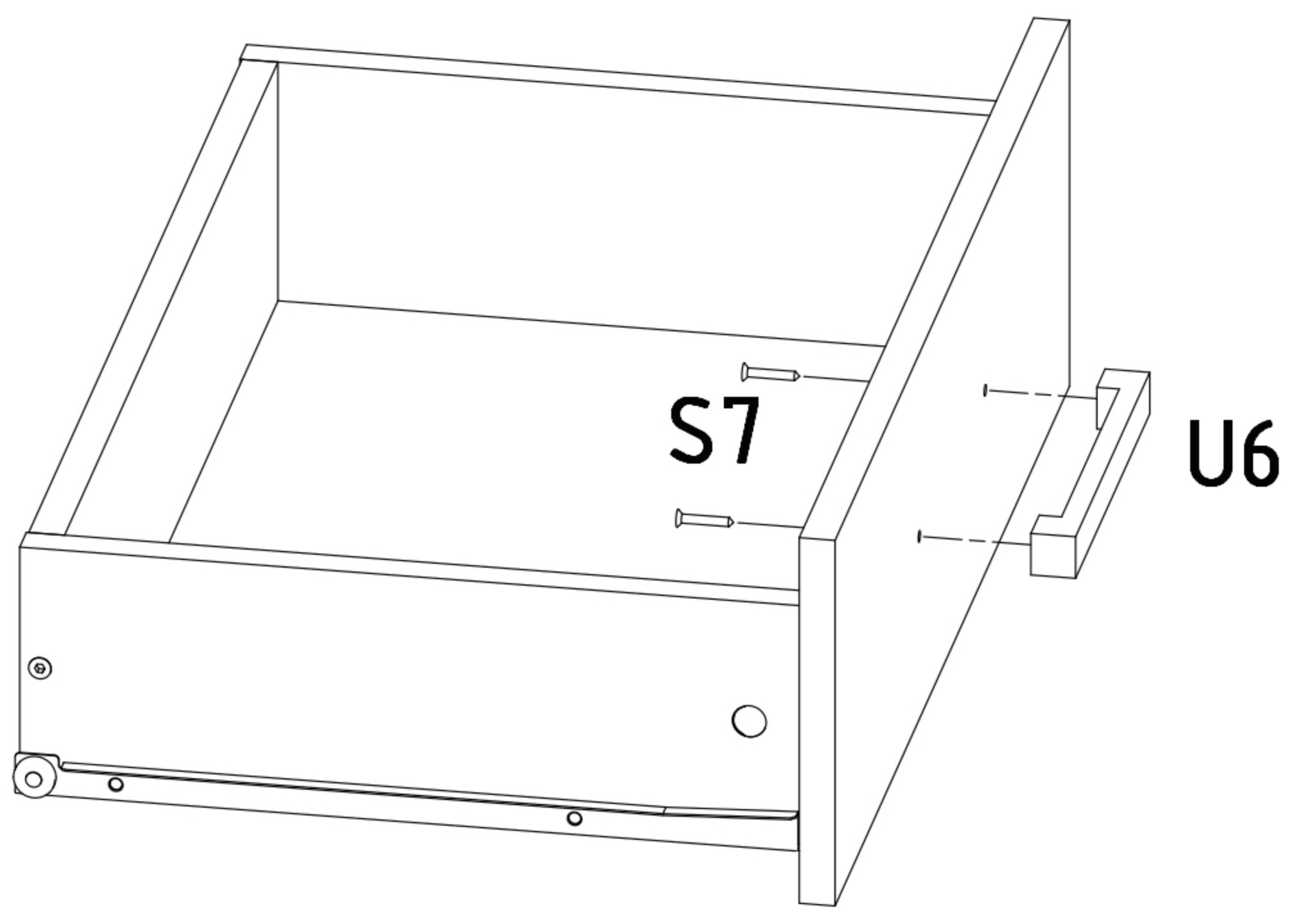
P3



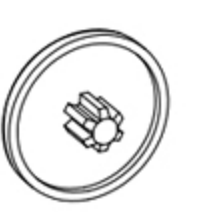
M2

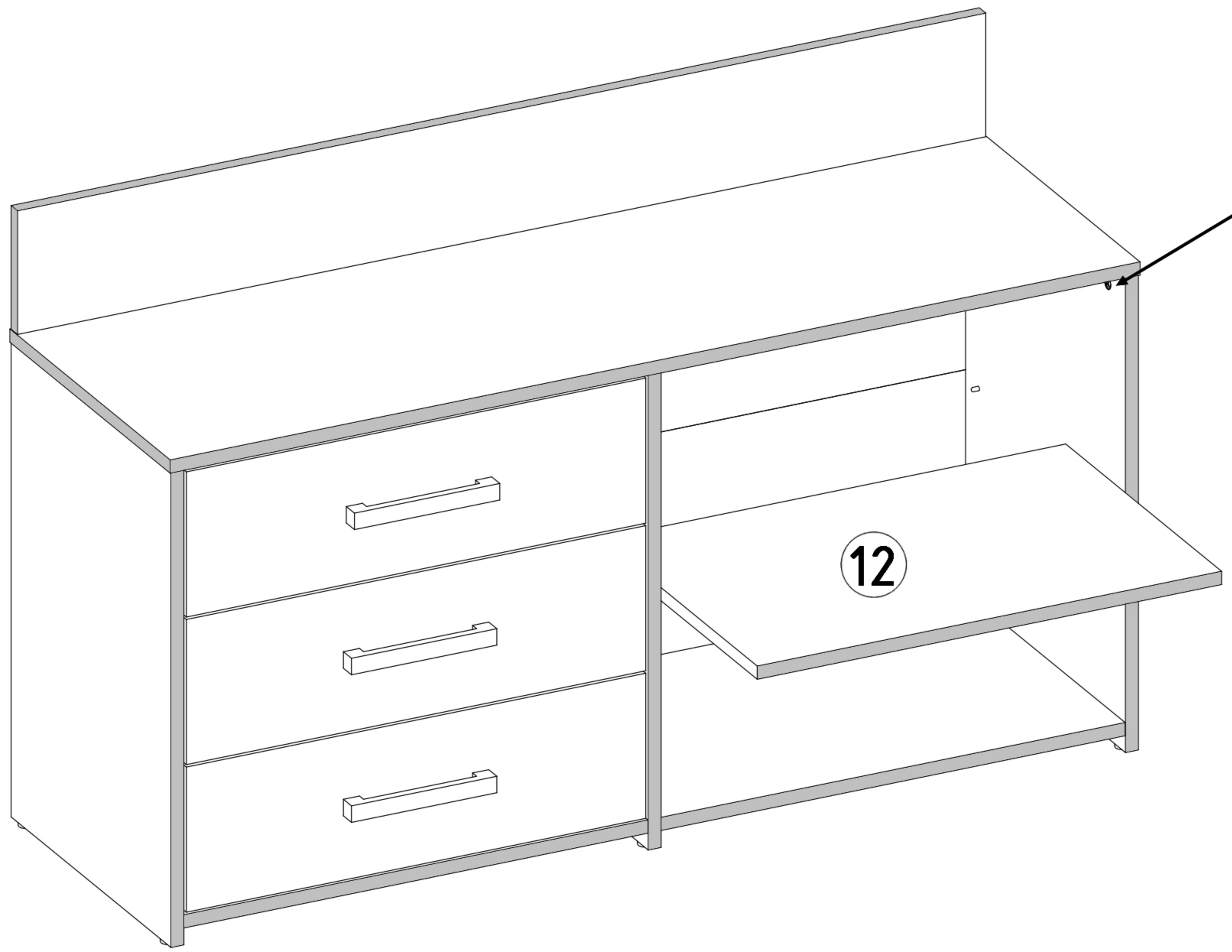
x3



U6  L=180mm	S7  4x30 mm
x3	x6

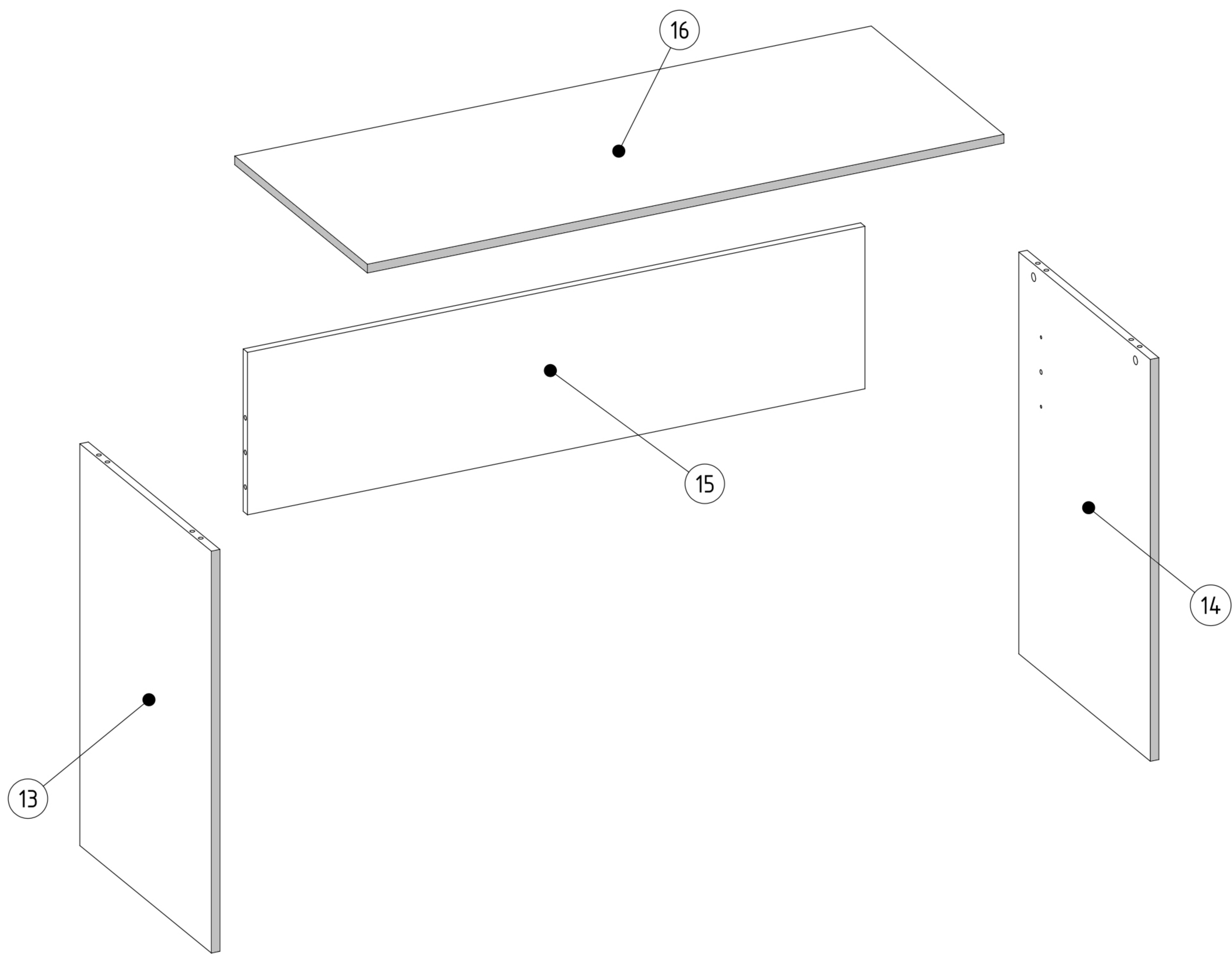


x3

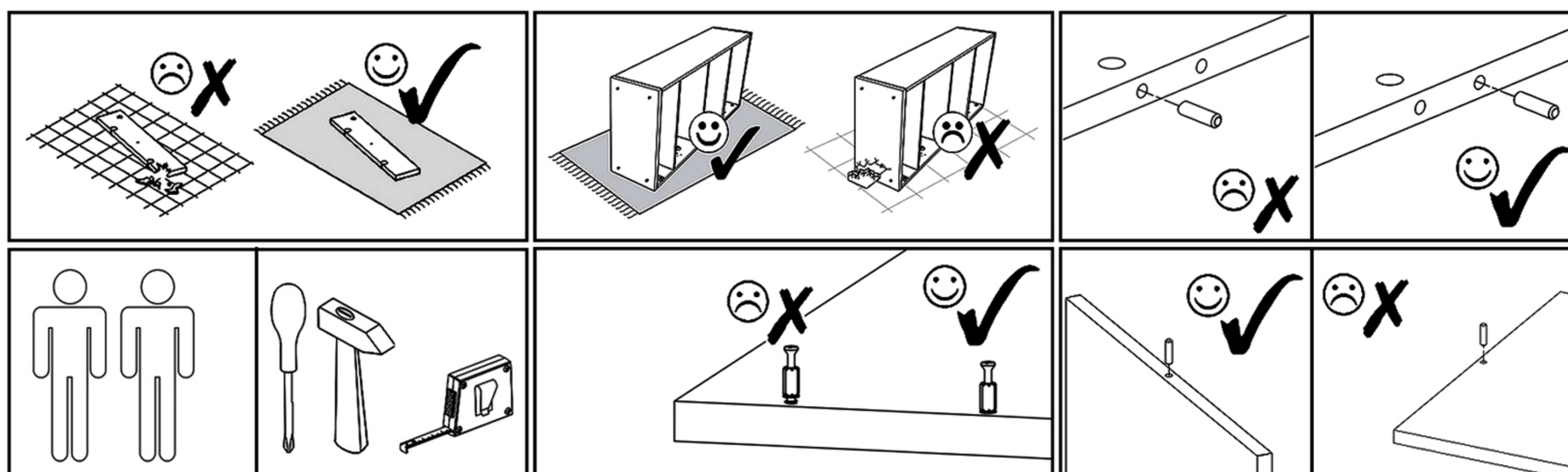
M2  16mm
x2

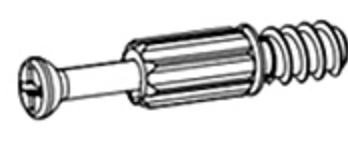
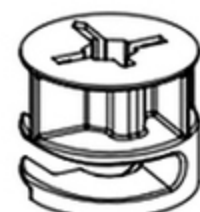





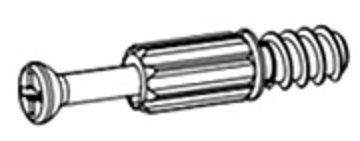
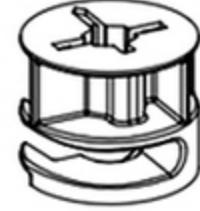


M1 	M2 
--	--

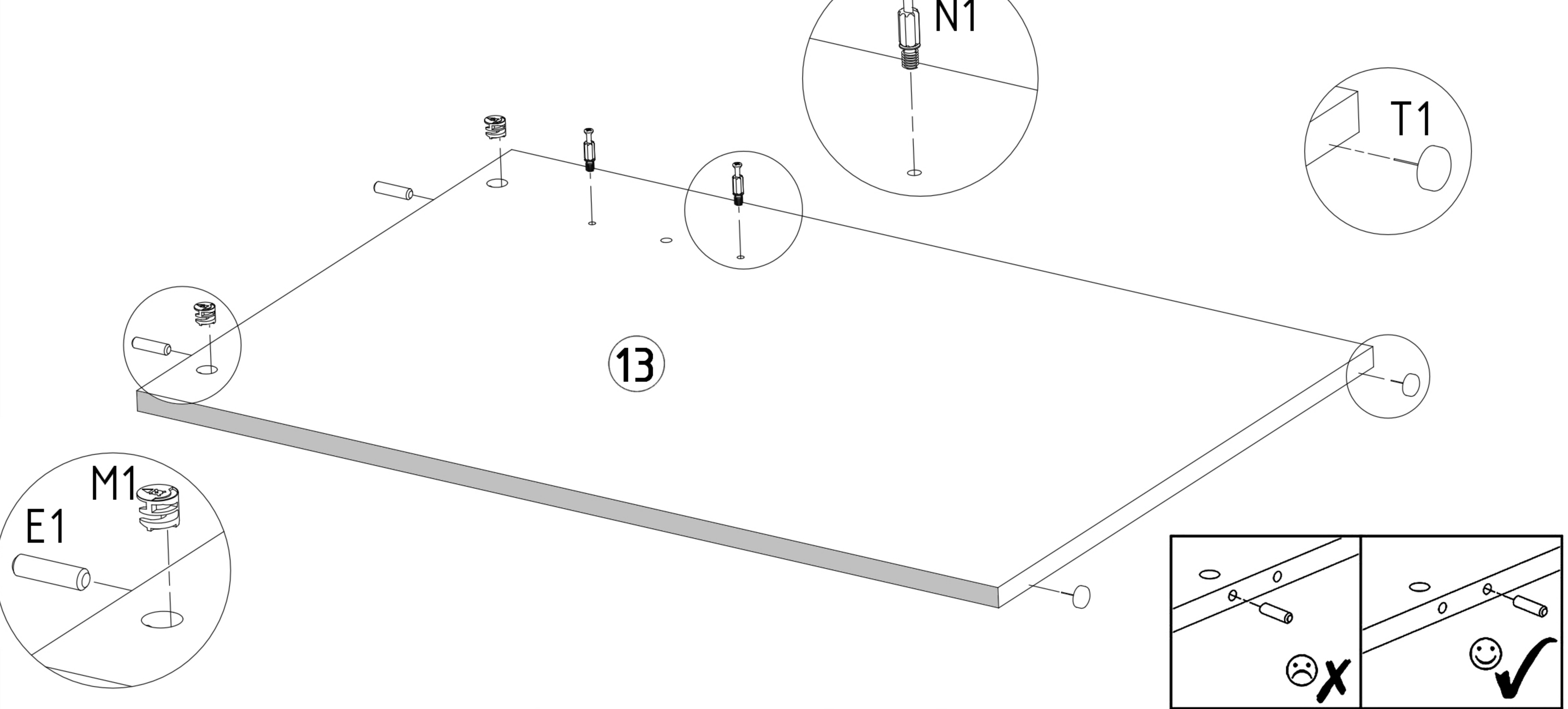


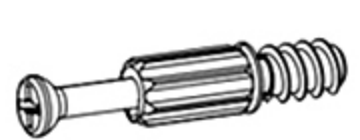
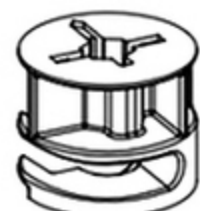


13	x	1
14	x	1
15	x	1
16	x	1

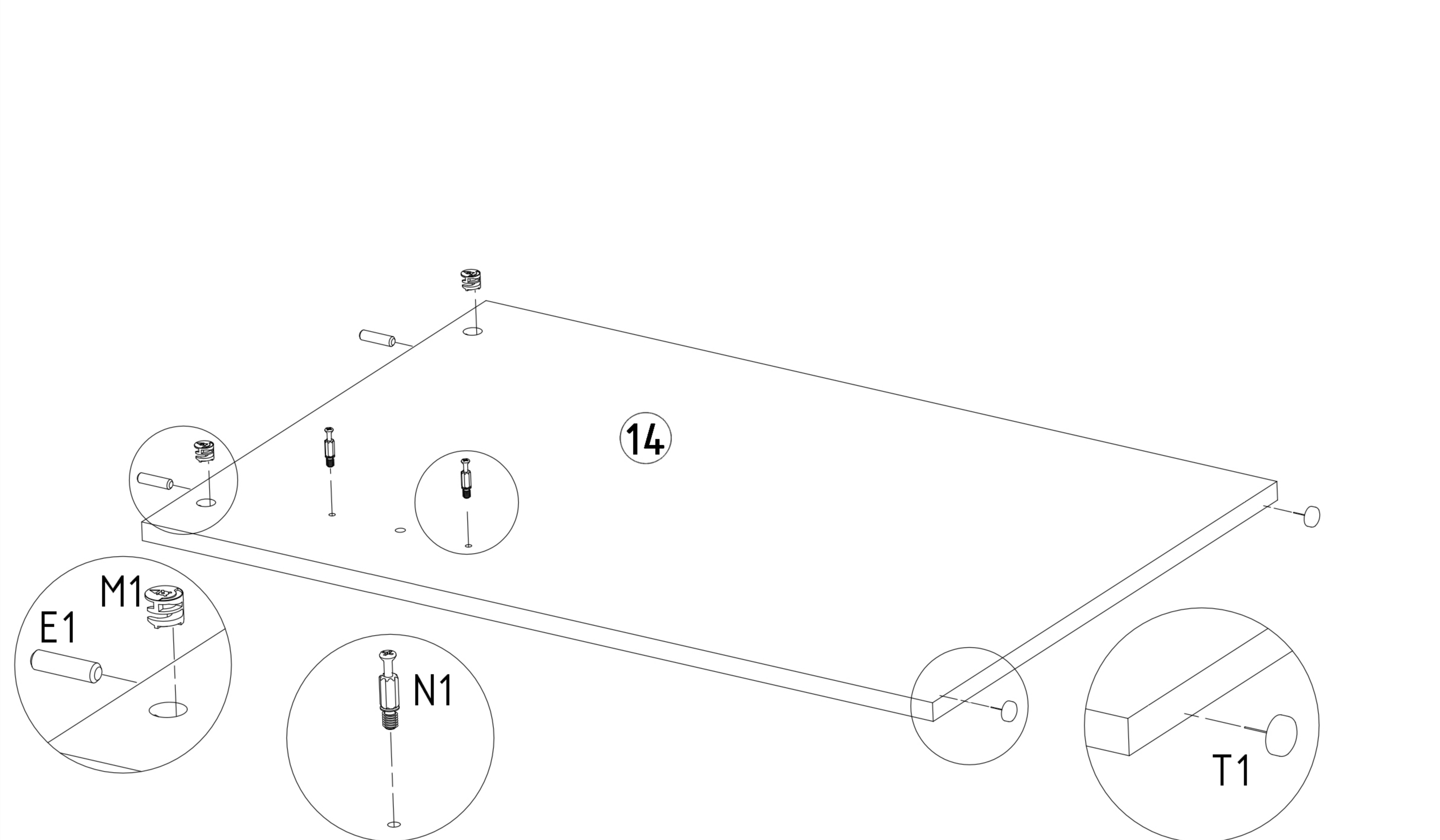




N1  L=35mm	M1  12x15mm	T1  x4	M2  B 16mm	E1  8x30mm
x8	x8		x8	x6

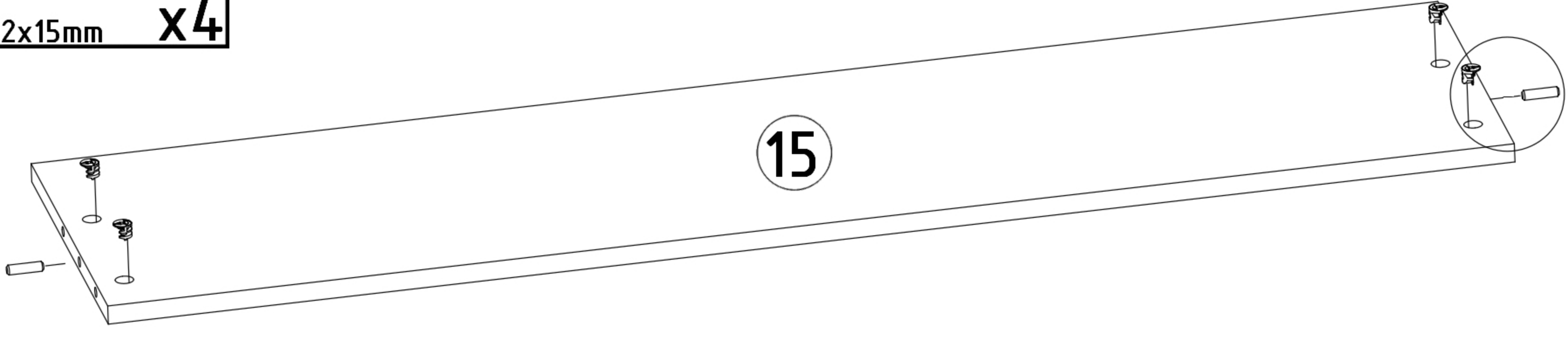
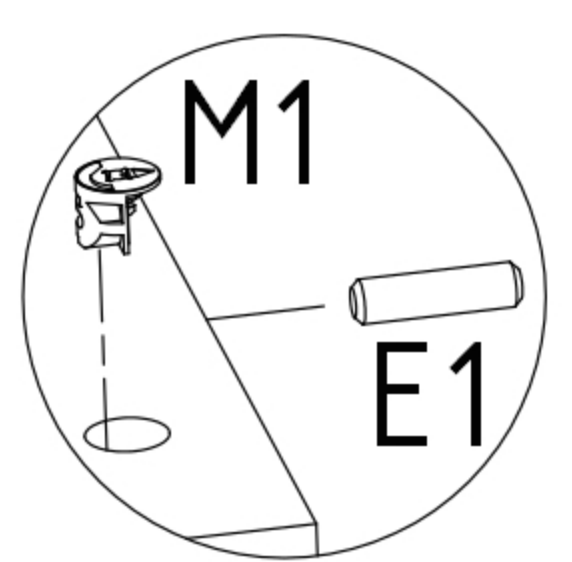
N1  L=35mm	M1  12x15mm	T1  x2	E1  8x30mm
---	---	--	--



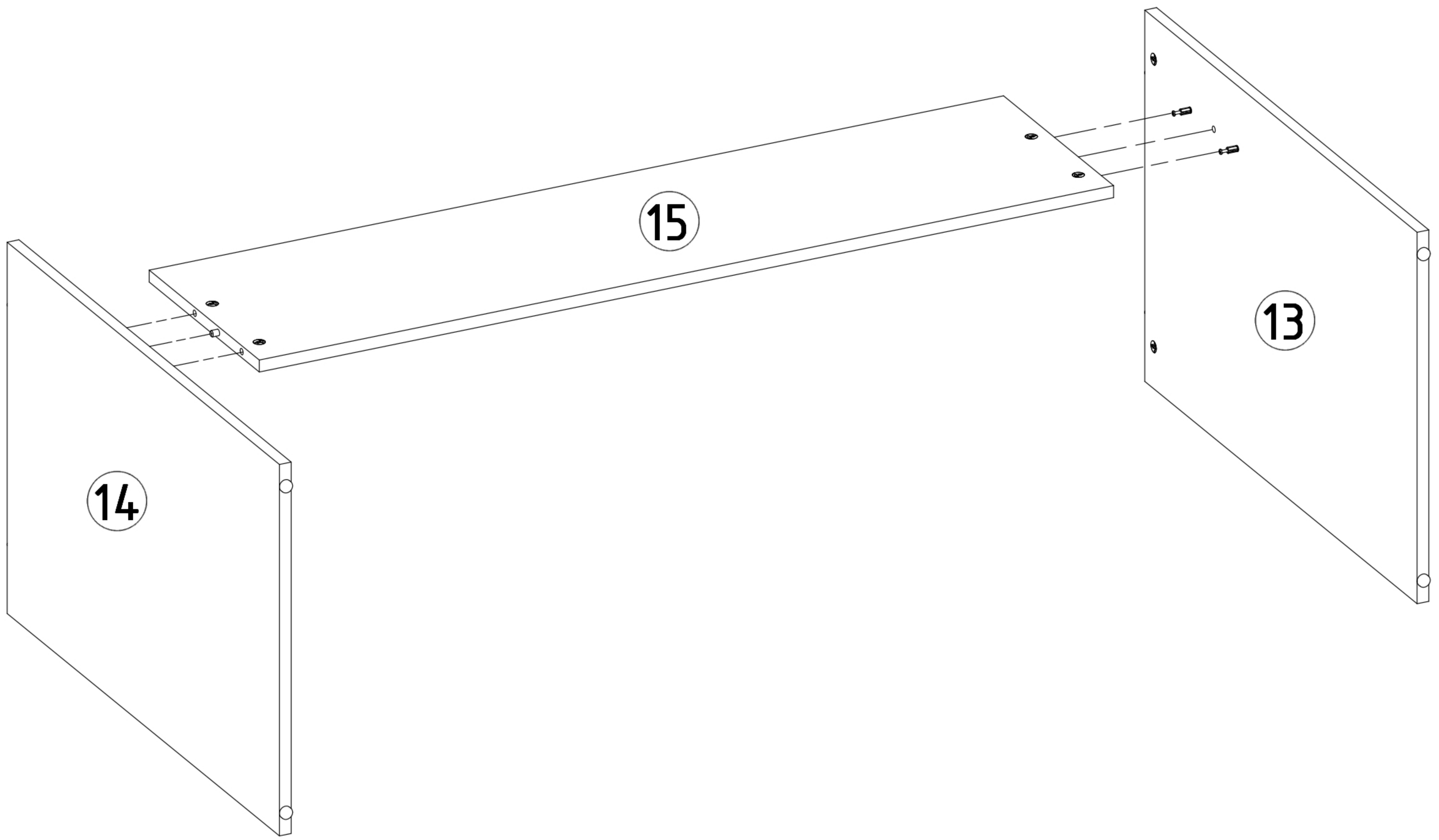
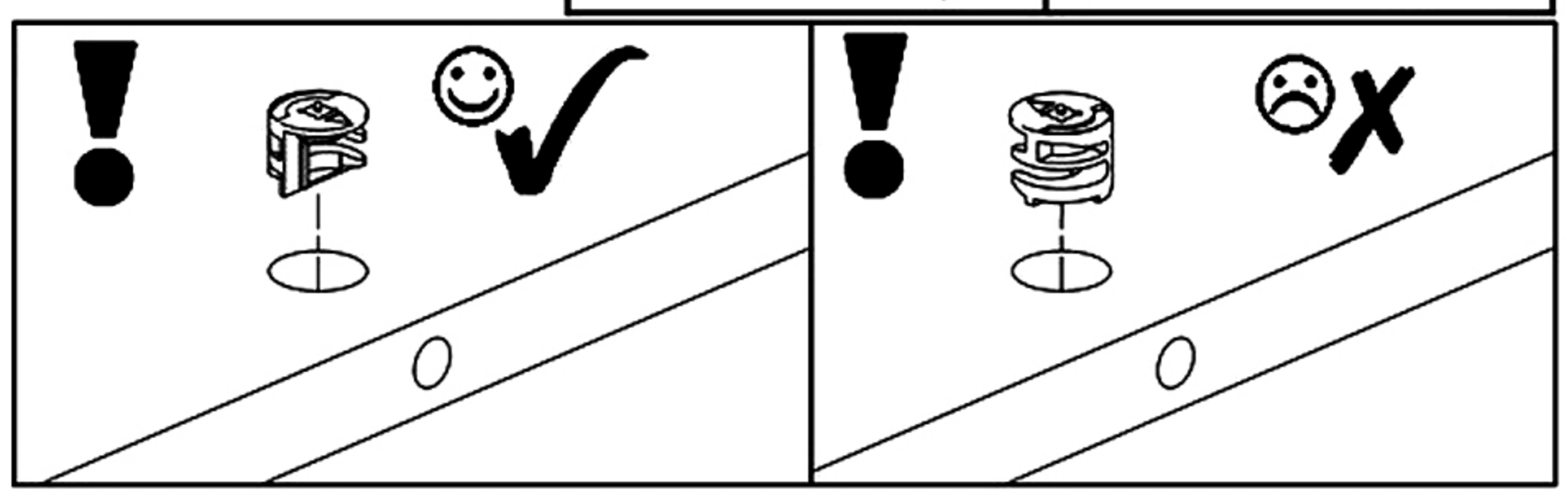
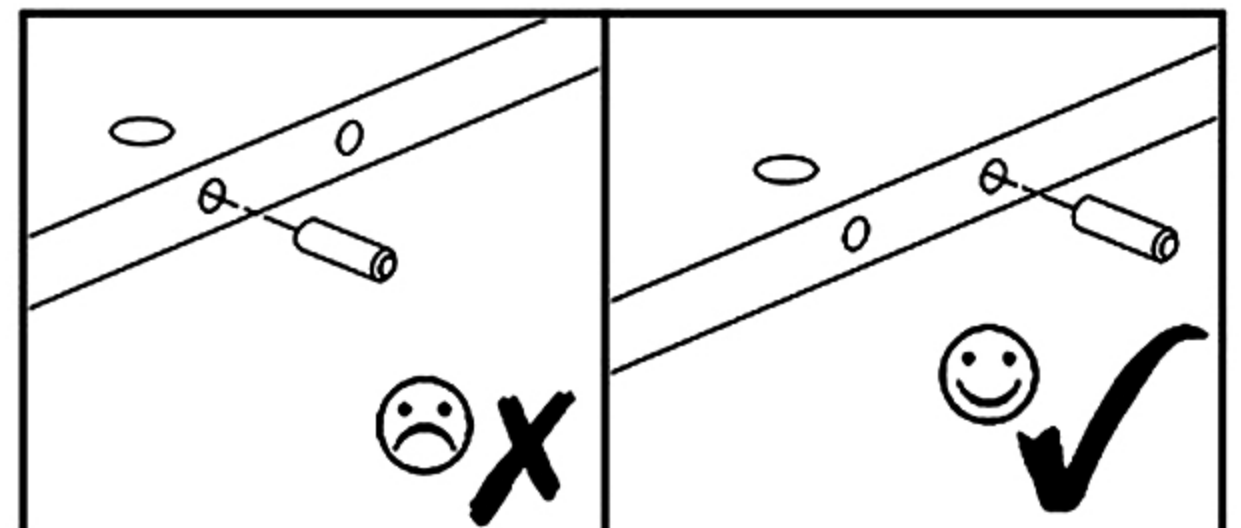
N1  L=35mm	M1  12x15mm	T1  x2	E1  8x30mm
---	---	--	--



E1  8x30mm	M1  12x15mm
x2	x4



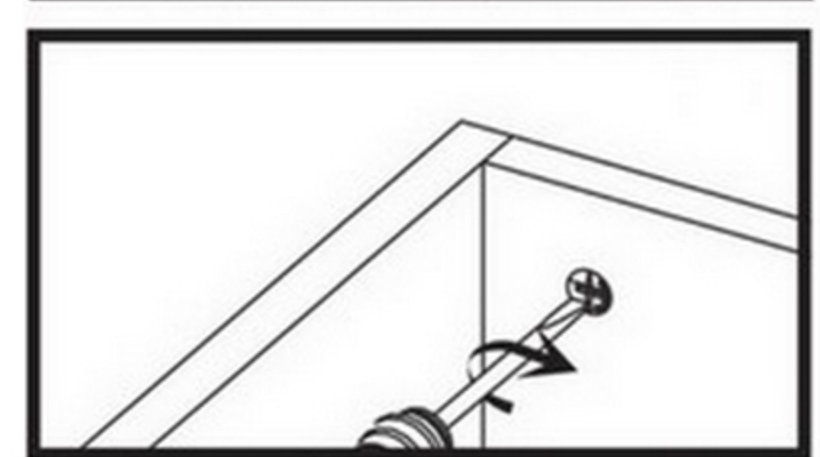
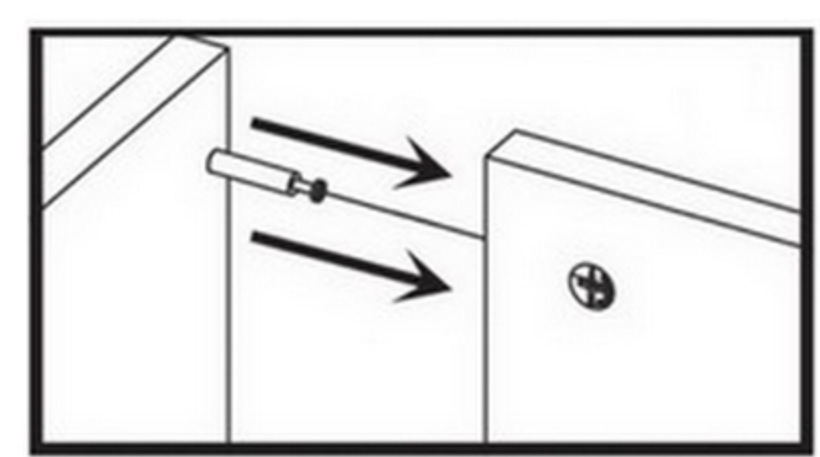
15

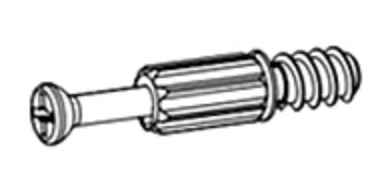



14

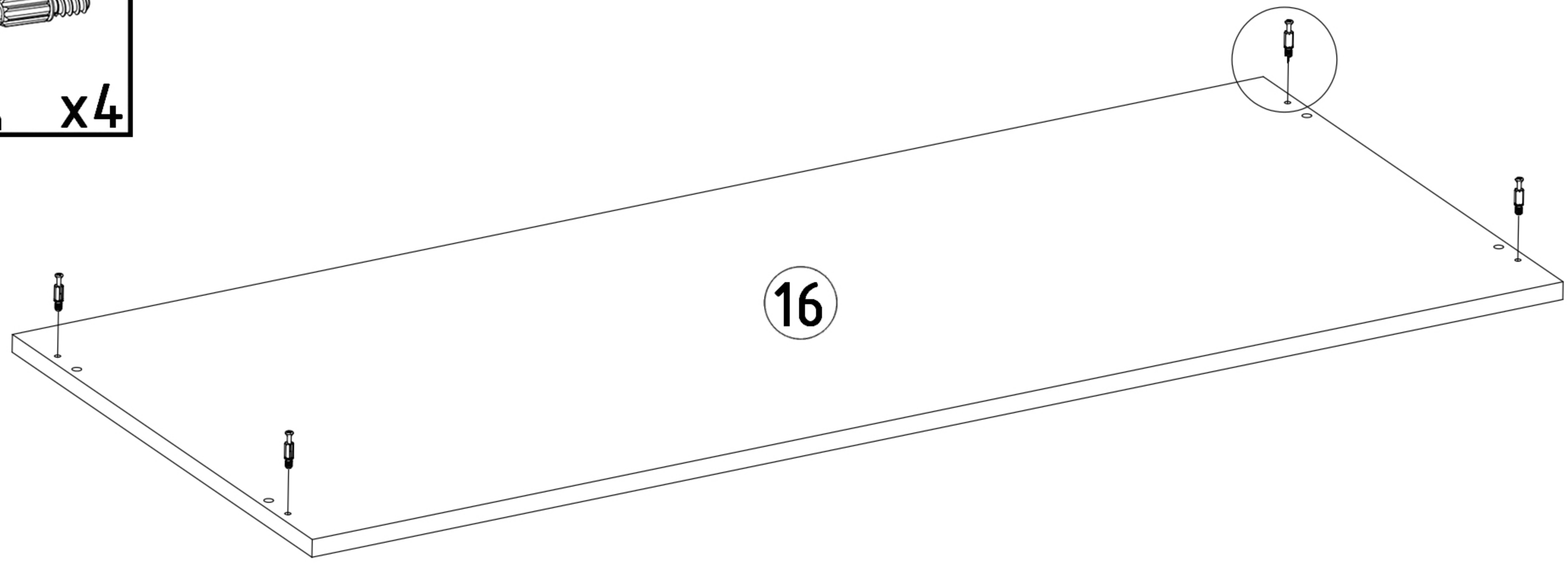
15

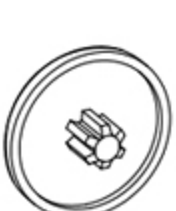
13

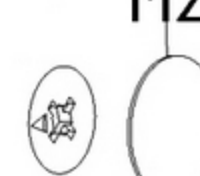


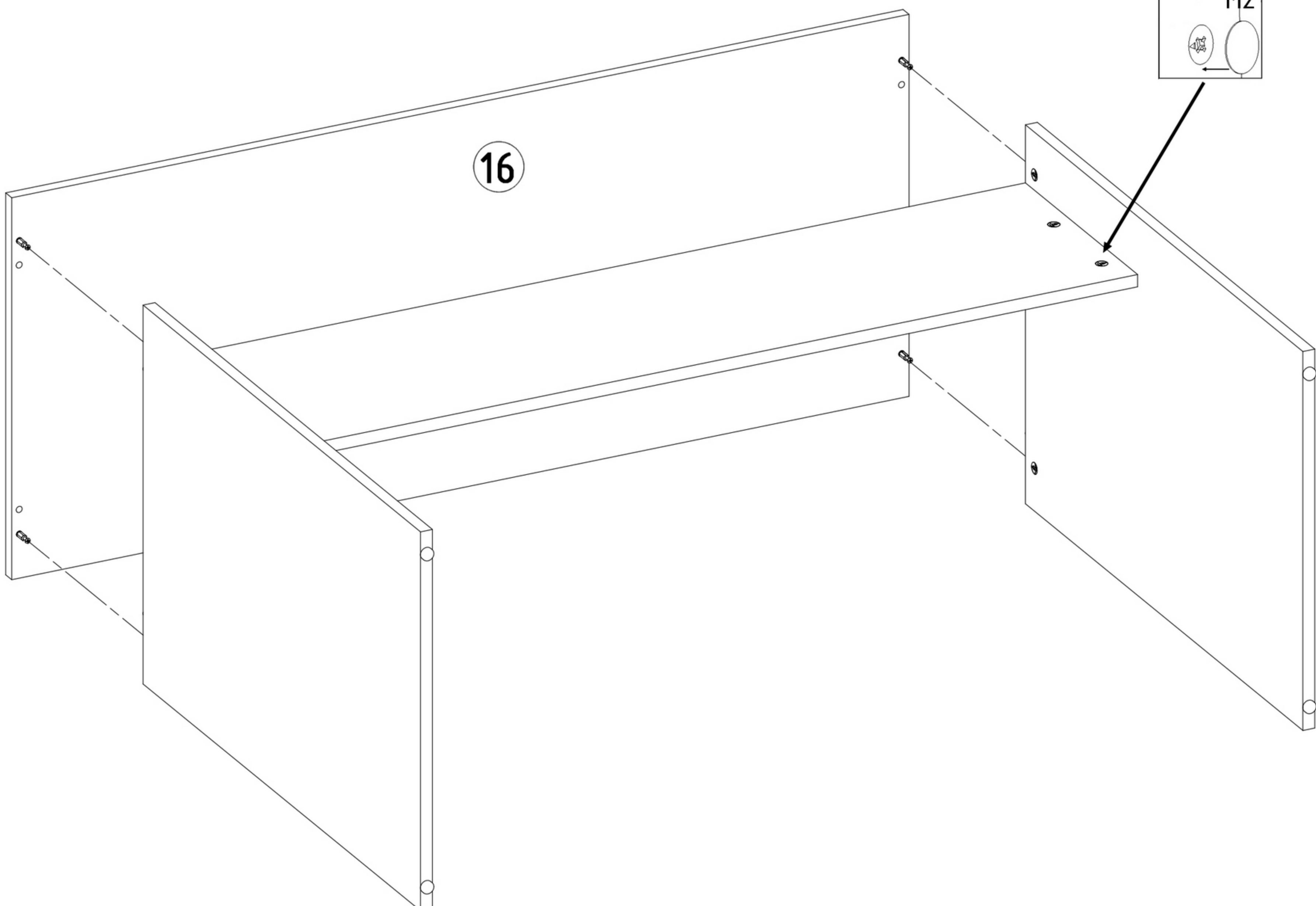
N1

L=35mm **X4**


N1




M2

16mm **X4**

M2




M2

16mm **X4**

M2
