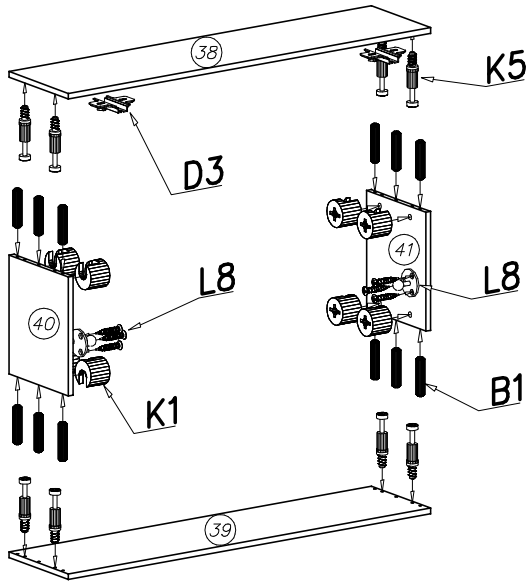
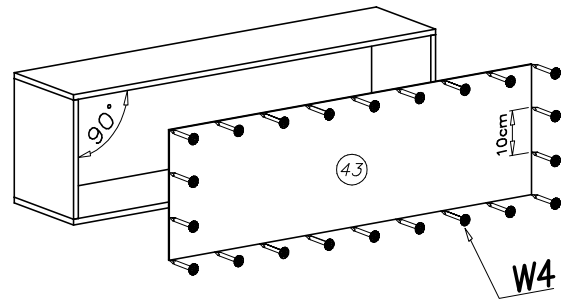


		G3 4x30 x6	K18 ø15x19 x2	L8
K1 ø15x12 x8	G8 4x25 x3	B1 ø8x35 x16	G34 3,5x16 x4	
K5 x10	D3 PZ35PR x2	C3 Z35PR x2	W4 1,6x20 x30	E9 x1

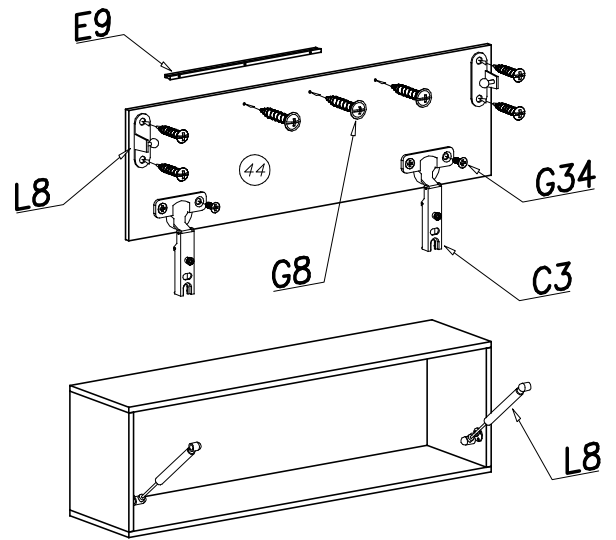
①



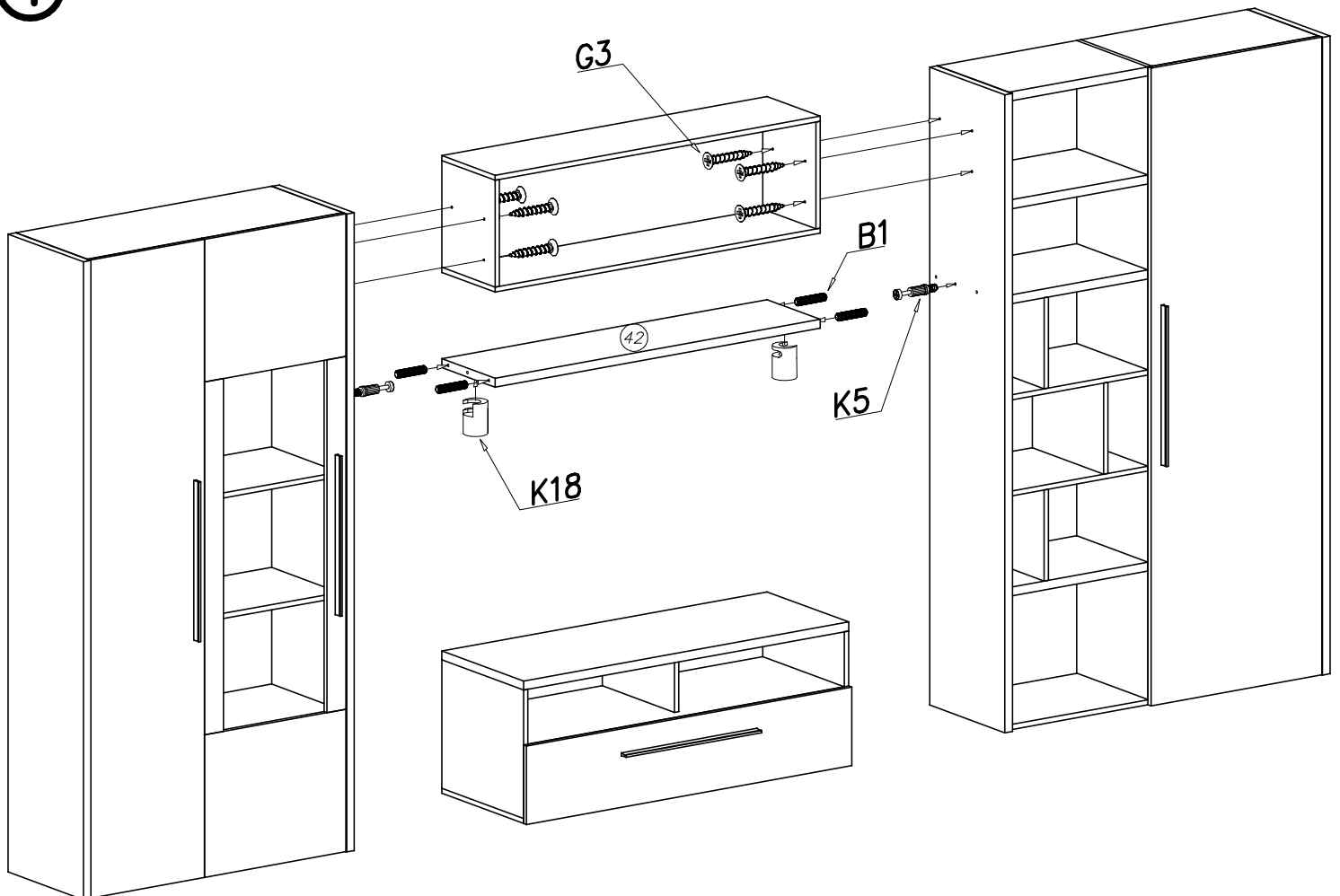
②

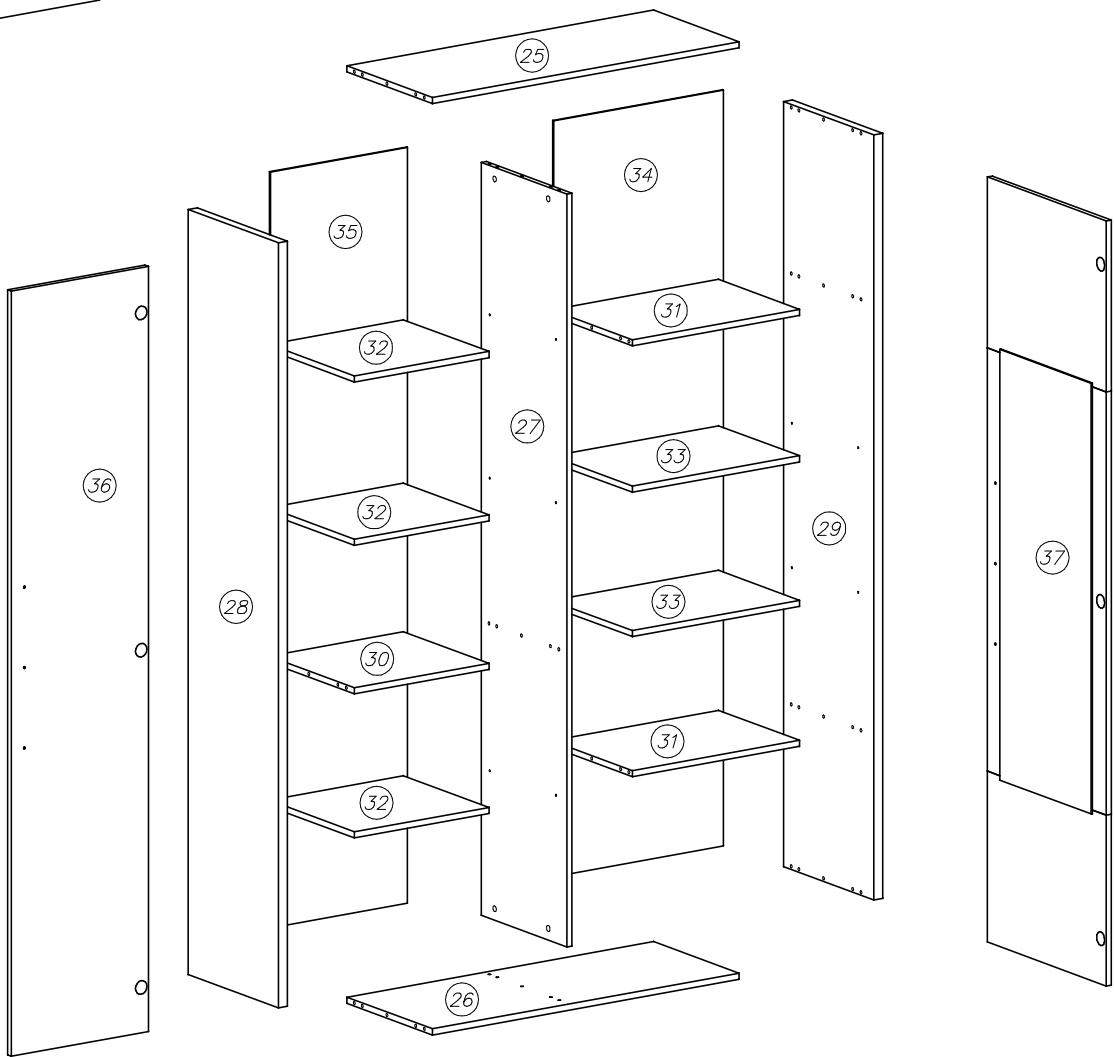
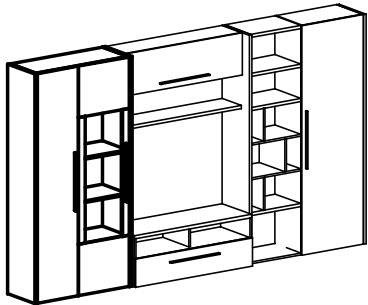
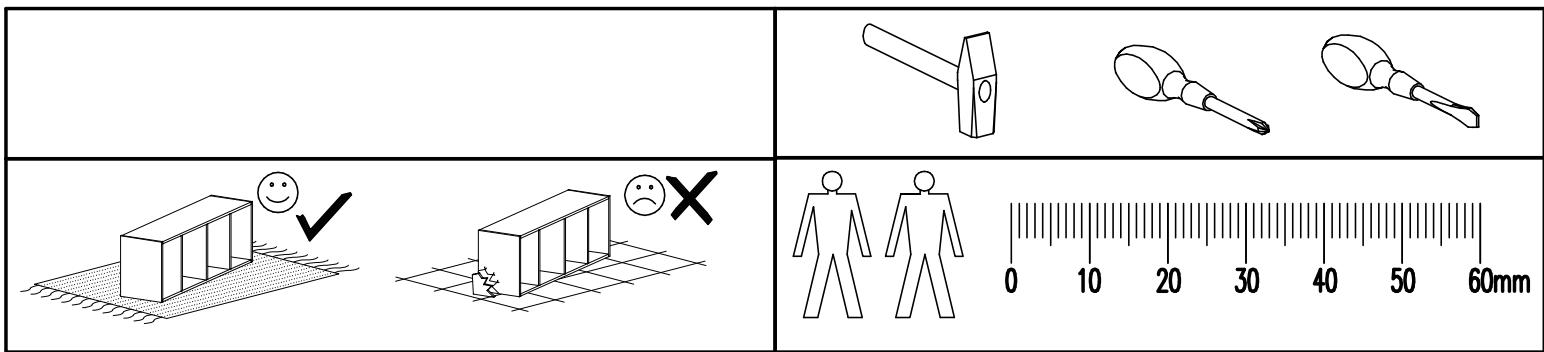


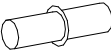
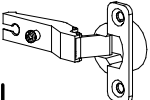
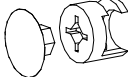



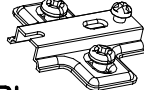
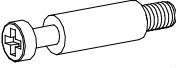
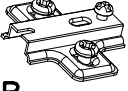
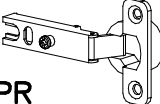


③



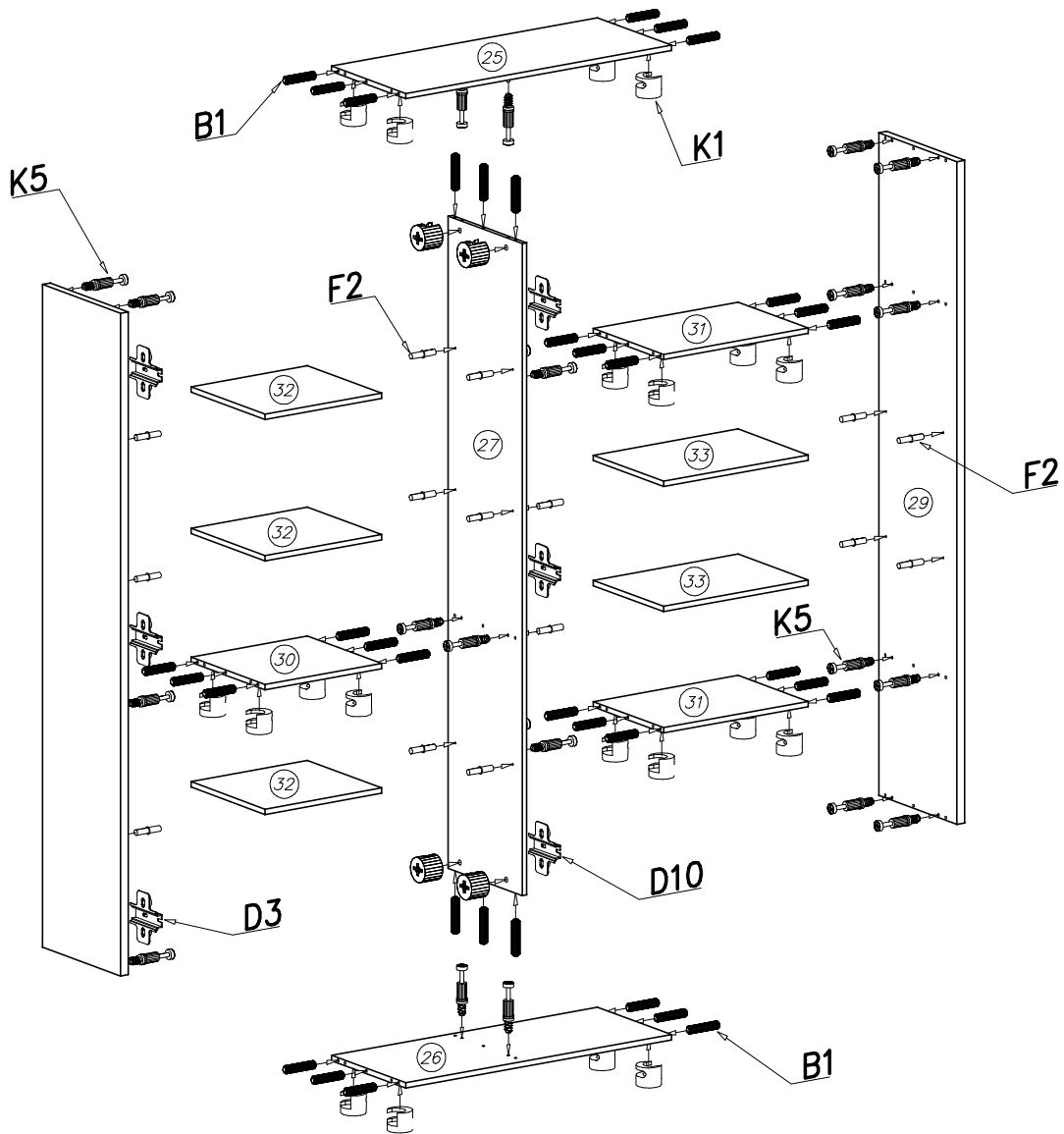
④



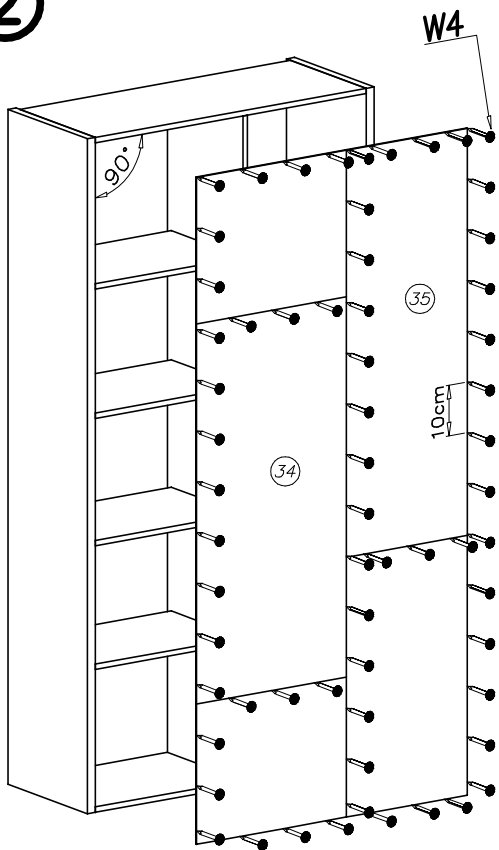


			F2  x20	C10  Z35PL x3
K1  ø15x12 x24	G8  4x25 x6	B1  ø8x35 x36	G34  3,5x16 x12	D10  PZ35PL x3
K5  x24	D3  PZ35PR x3	C3  Z35PR x3	W4  1,6x20 x110	E9  x2

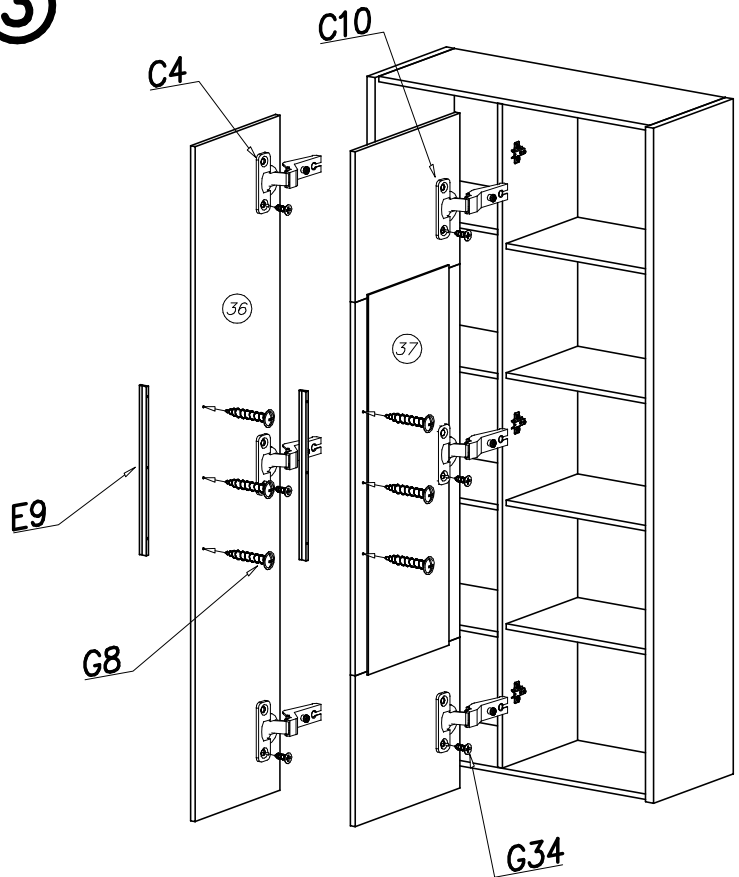
1

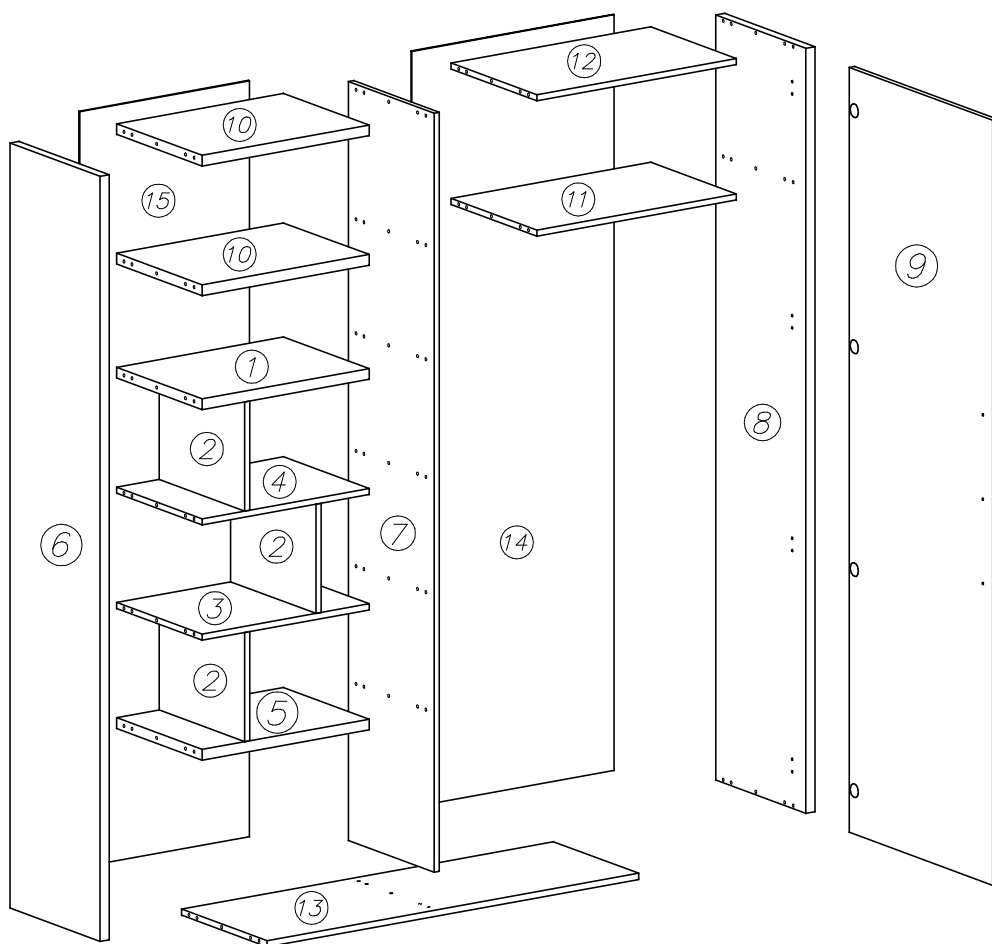
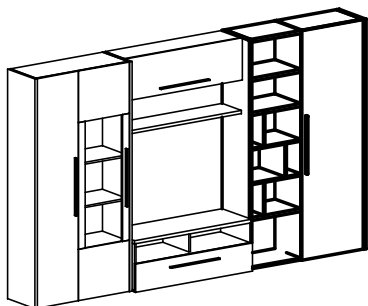
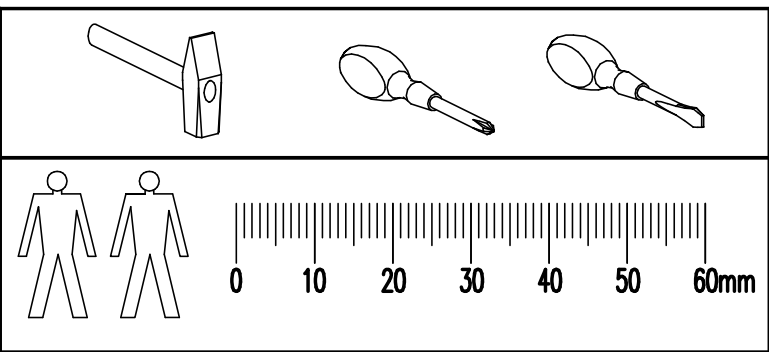
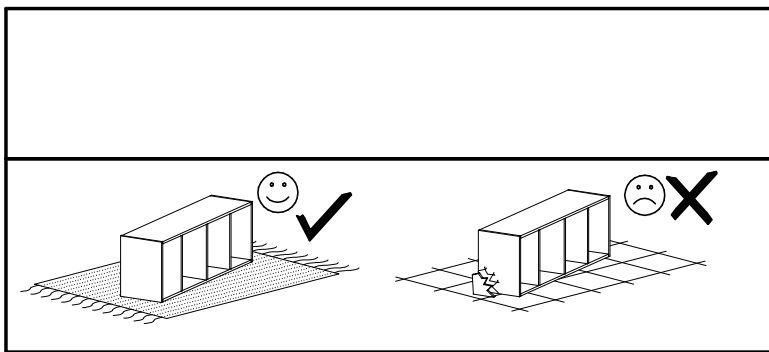


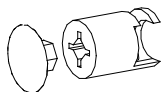
2

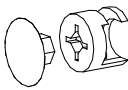


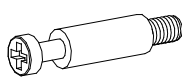
3







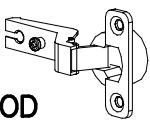
K18

 ø15x19 x16


K1

 ø15x12 x28


K5

 x44


D4

 PZ350D x4


G8

 4x25 x3


C4

 Z350D x4

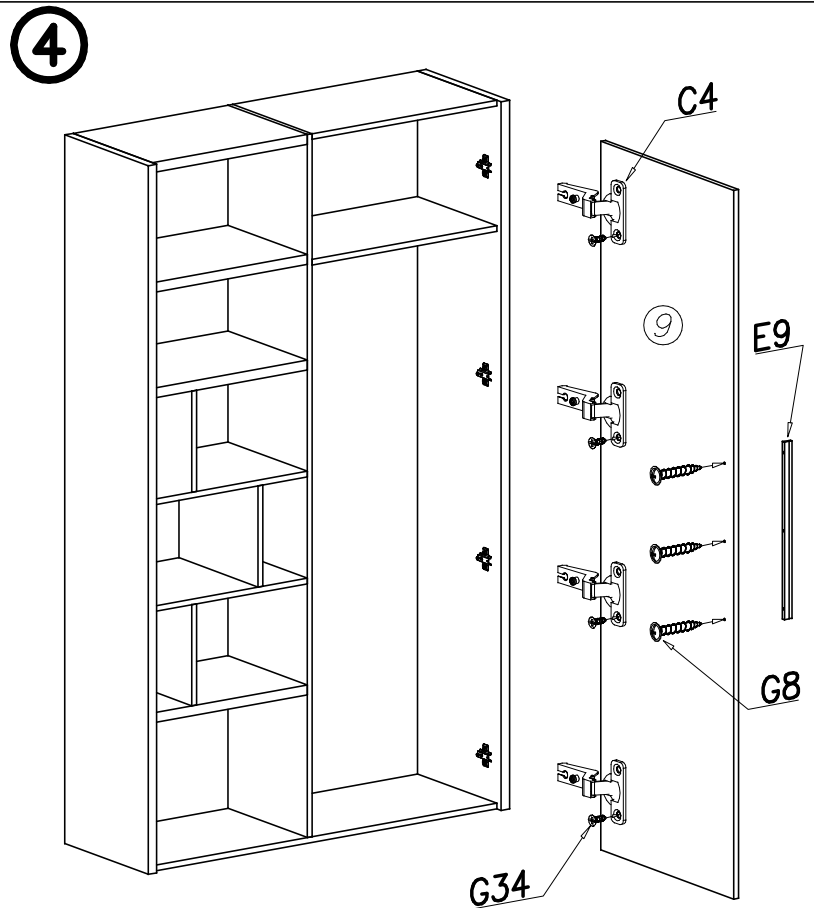
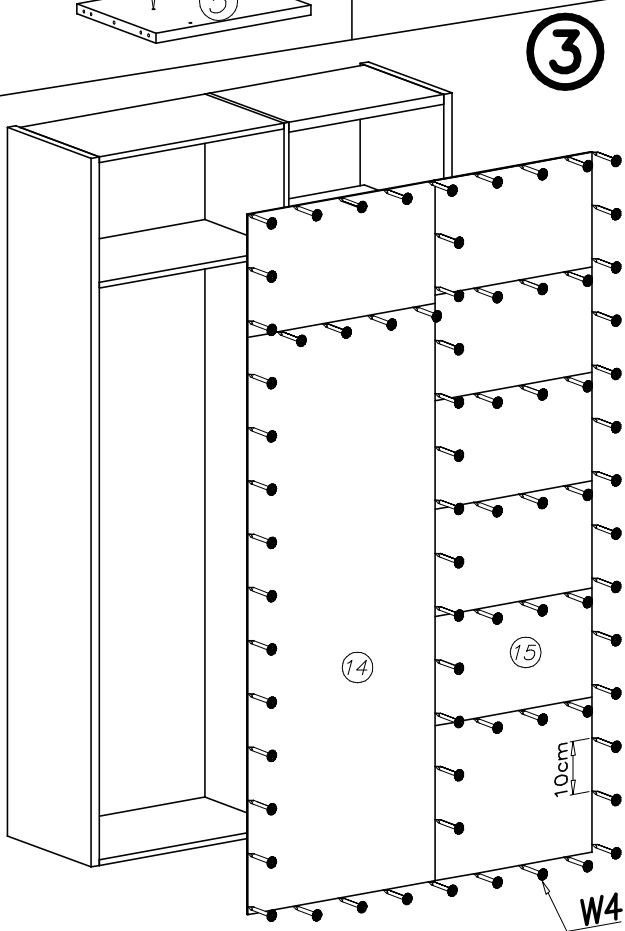
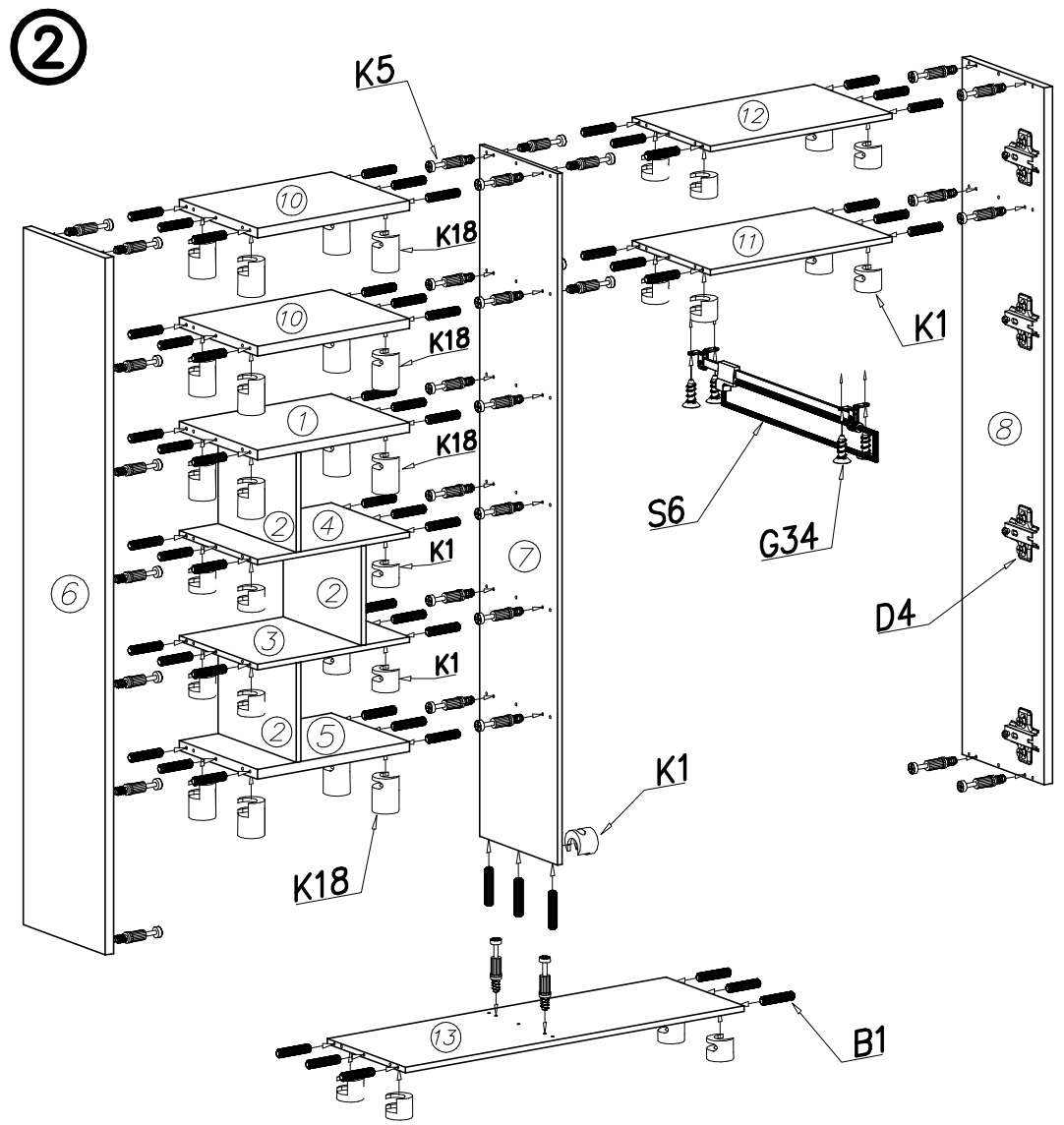
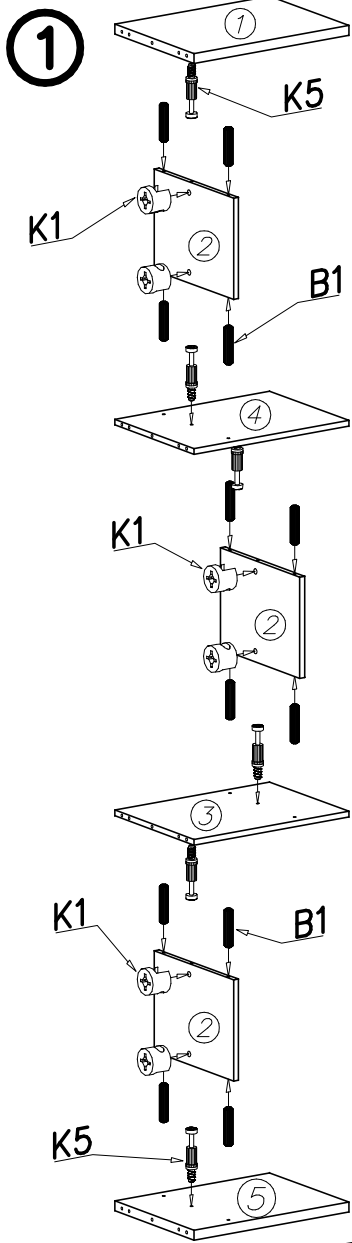
B1

 ø8x35 x69

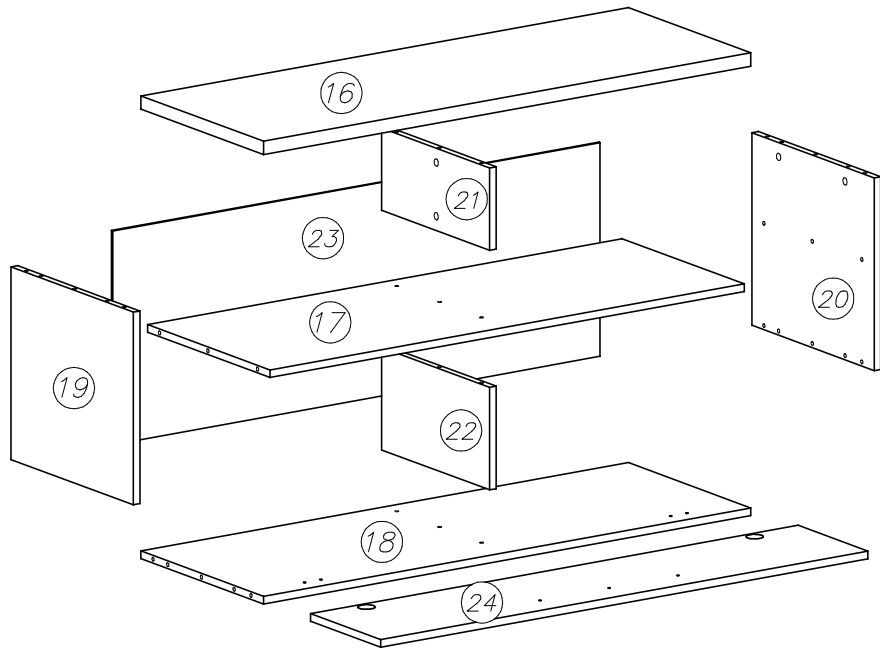
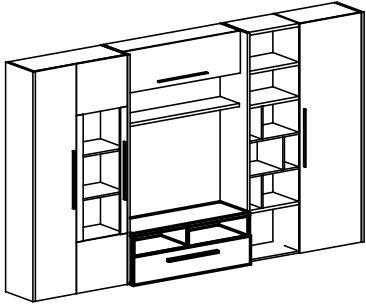
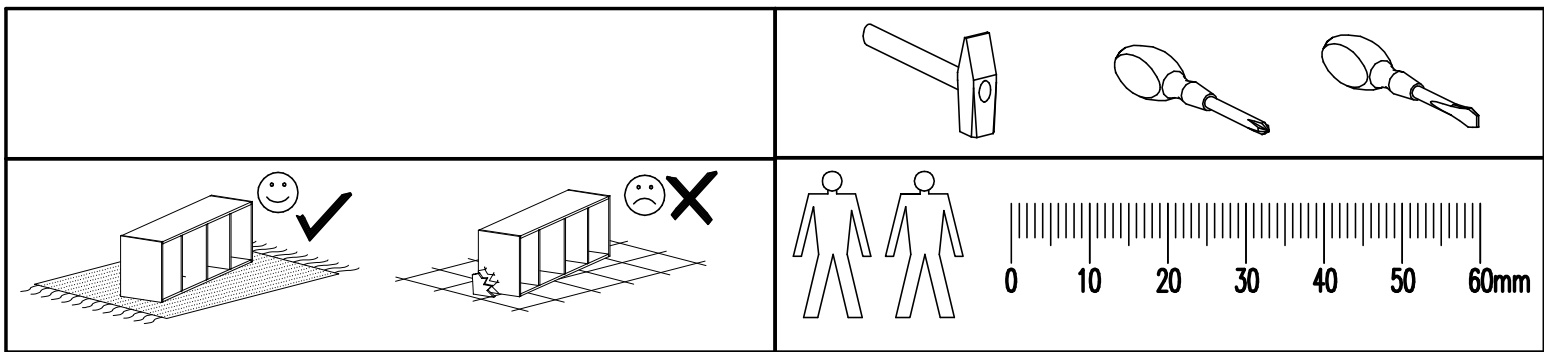
G34

 3,5x16 x12


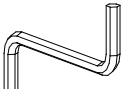
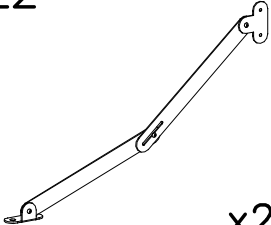
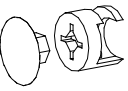



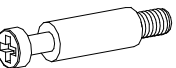
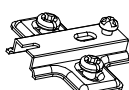
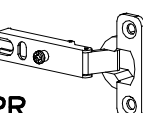


W4

 1,6x20 x110

S6

 x1

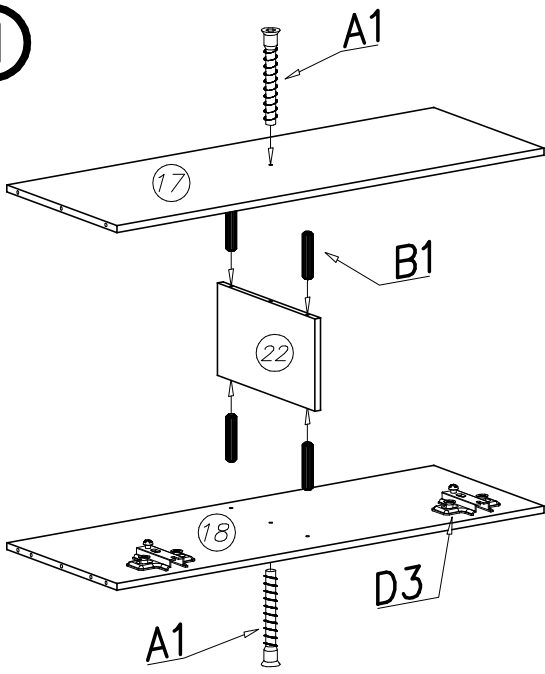
E9

 x1



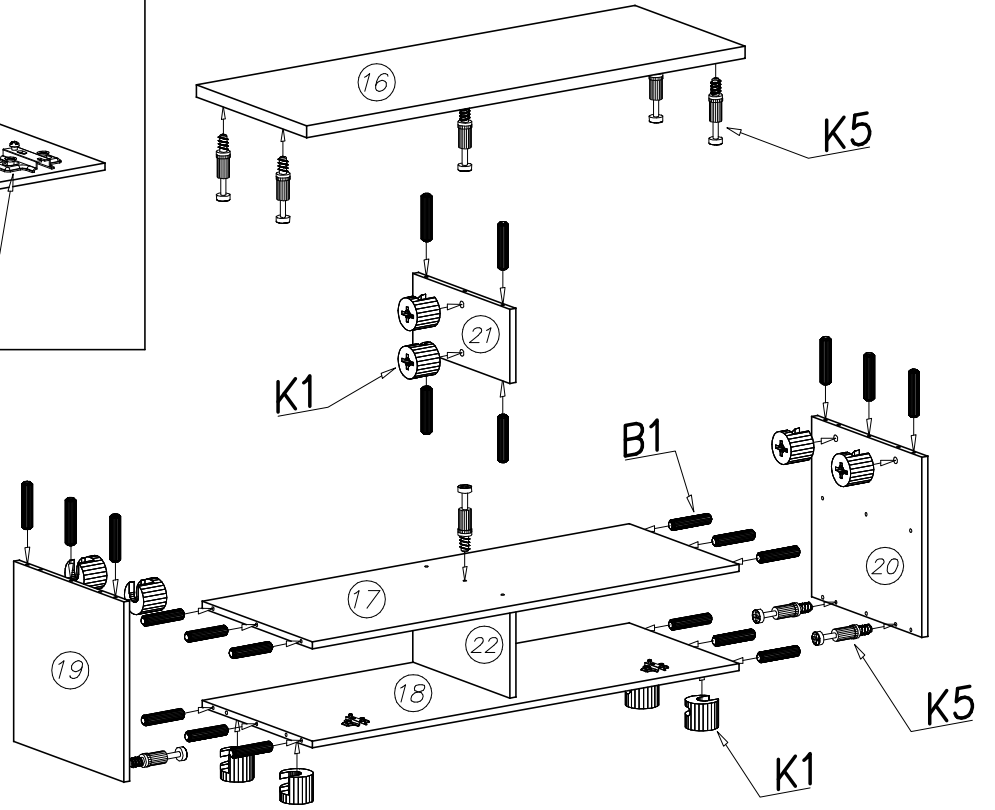


		A1  ø7x50 x2	W2  4mm x1	L2  x2
K1  ø15x12 x10	G8  4x25 x3	B1  ø8x35 x26	G34  3,5x16 x12	
K5  x10	D3  PZ35PR x2	C3  Z35PR x2	W4  1,6x20 x50	E9  x1

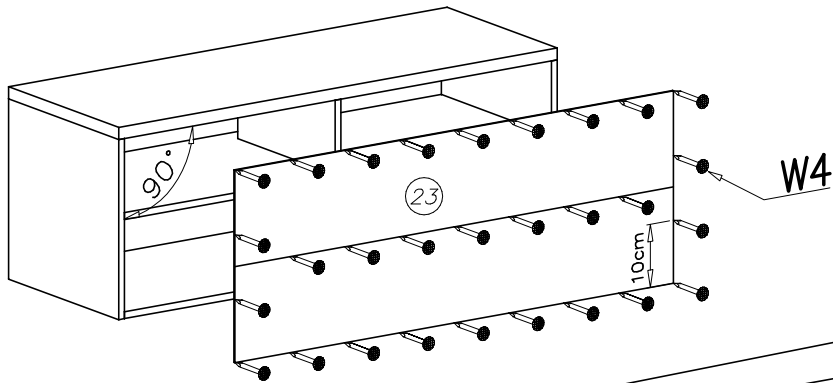
①



②



③



④

