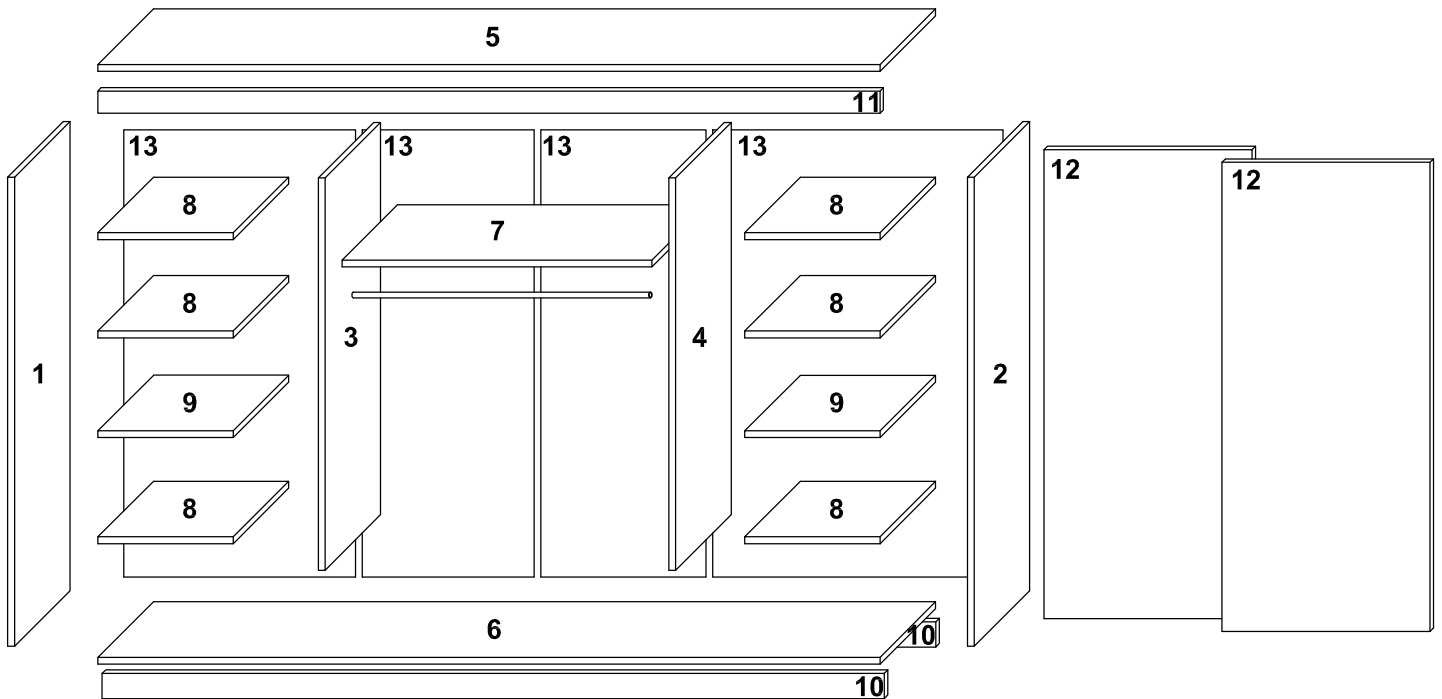
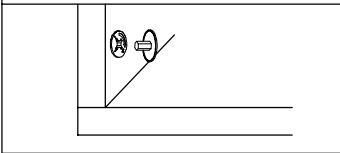
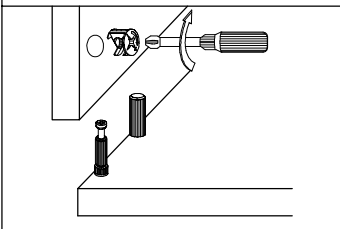
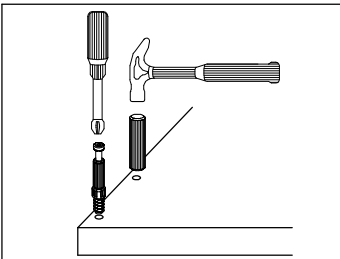
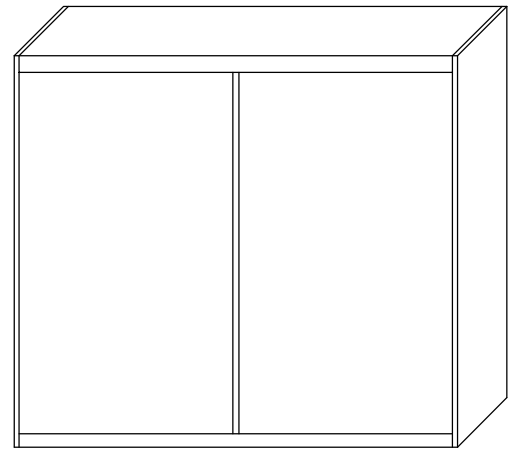
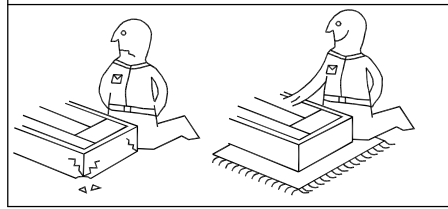
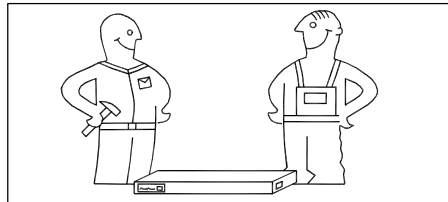
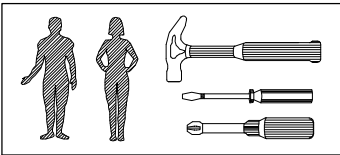
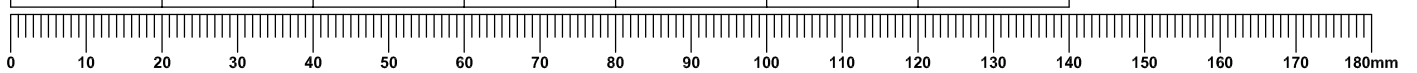


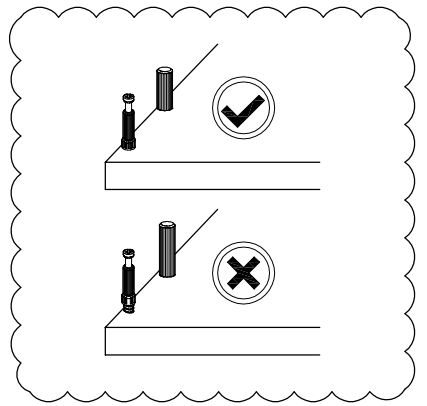
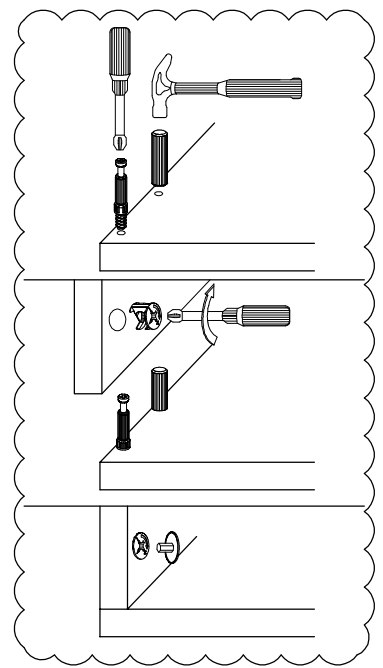
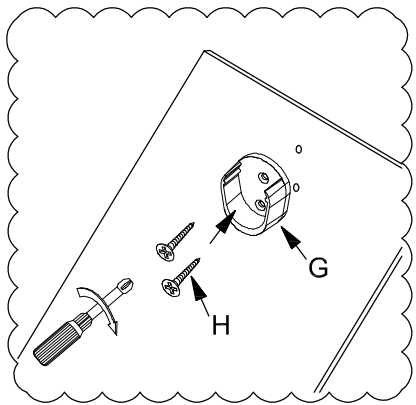
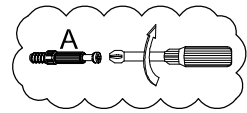
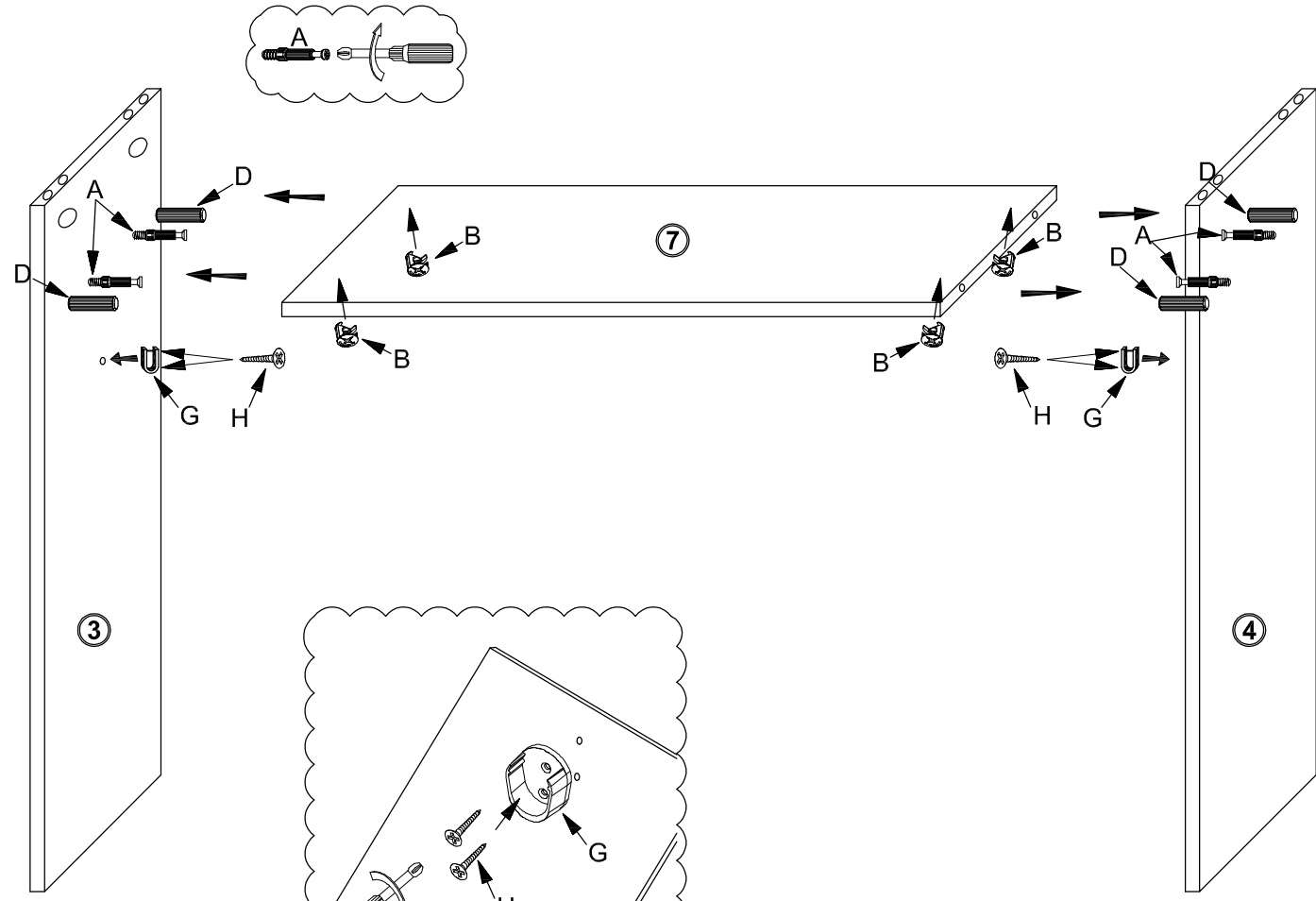
SZAFKA 200









33 A	33 B	33 C	38 D	24 E	14 F	
2 kpl I N	2 G	1 I	W4x30	I L	I M	I N



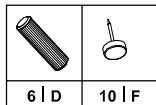
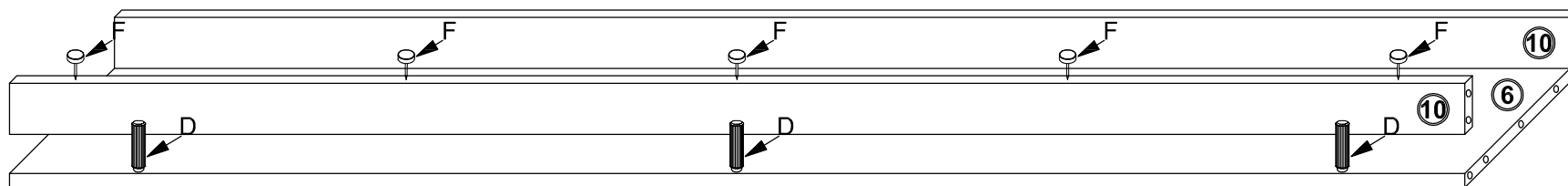
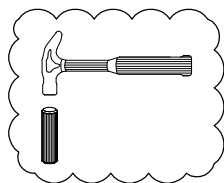
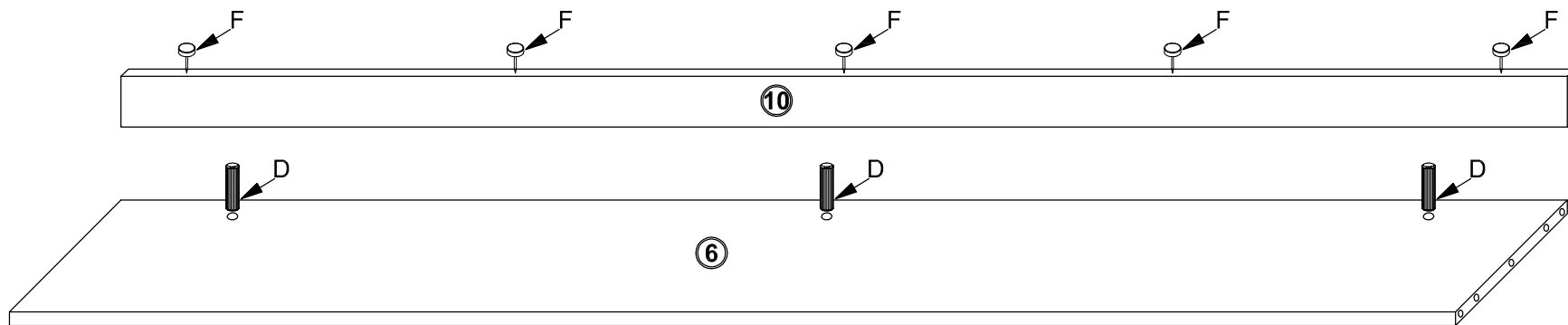
1







					
4 A	4 B	4 C	4 D	2 G	4 H

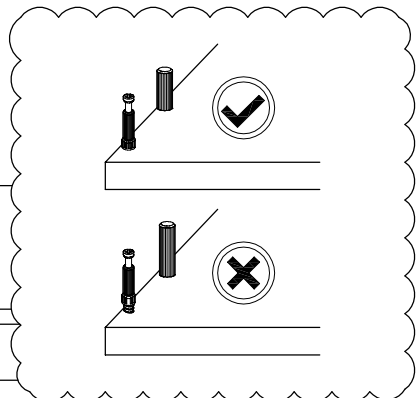
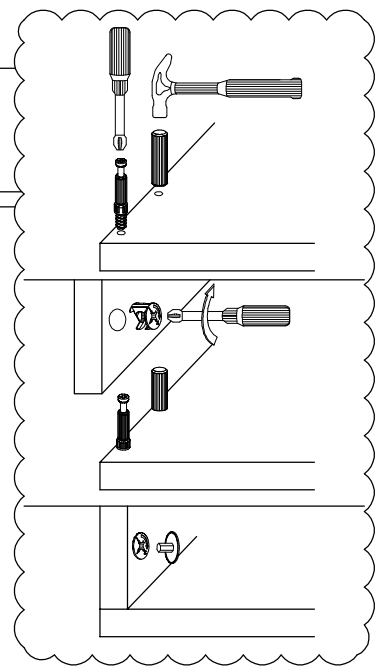
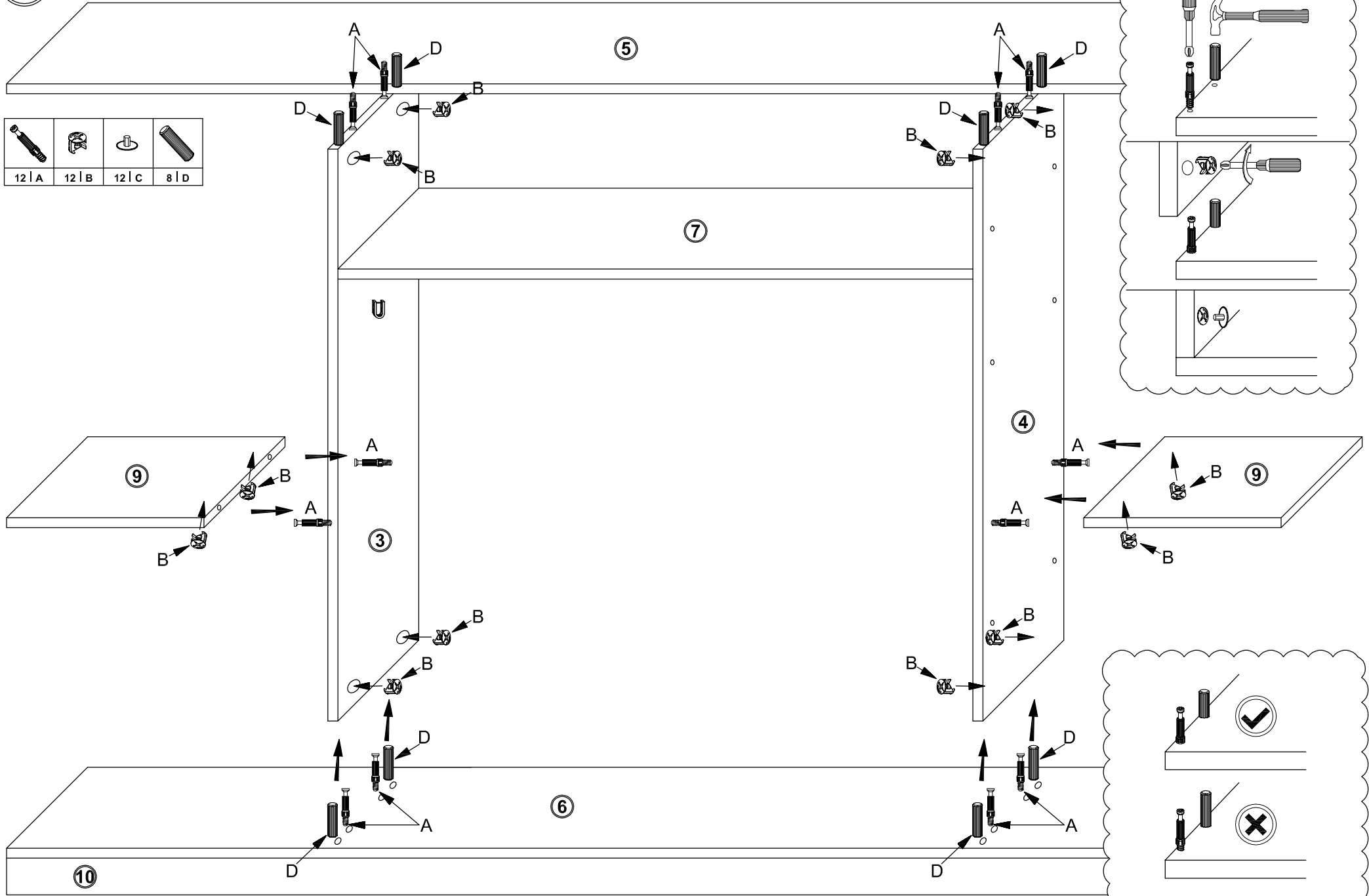
W3,5x13

2

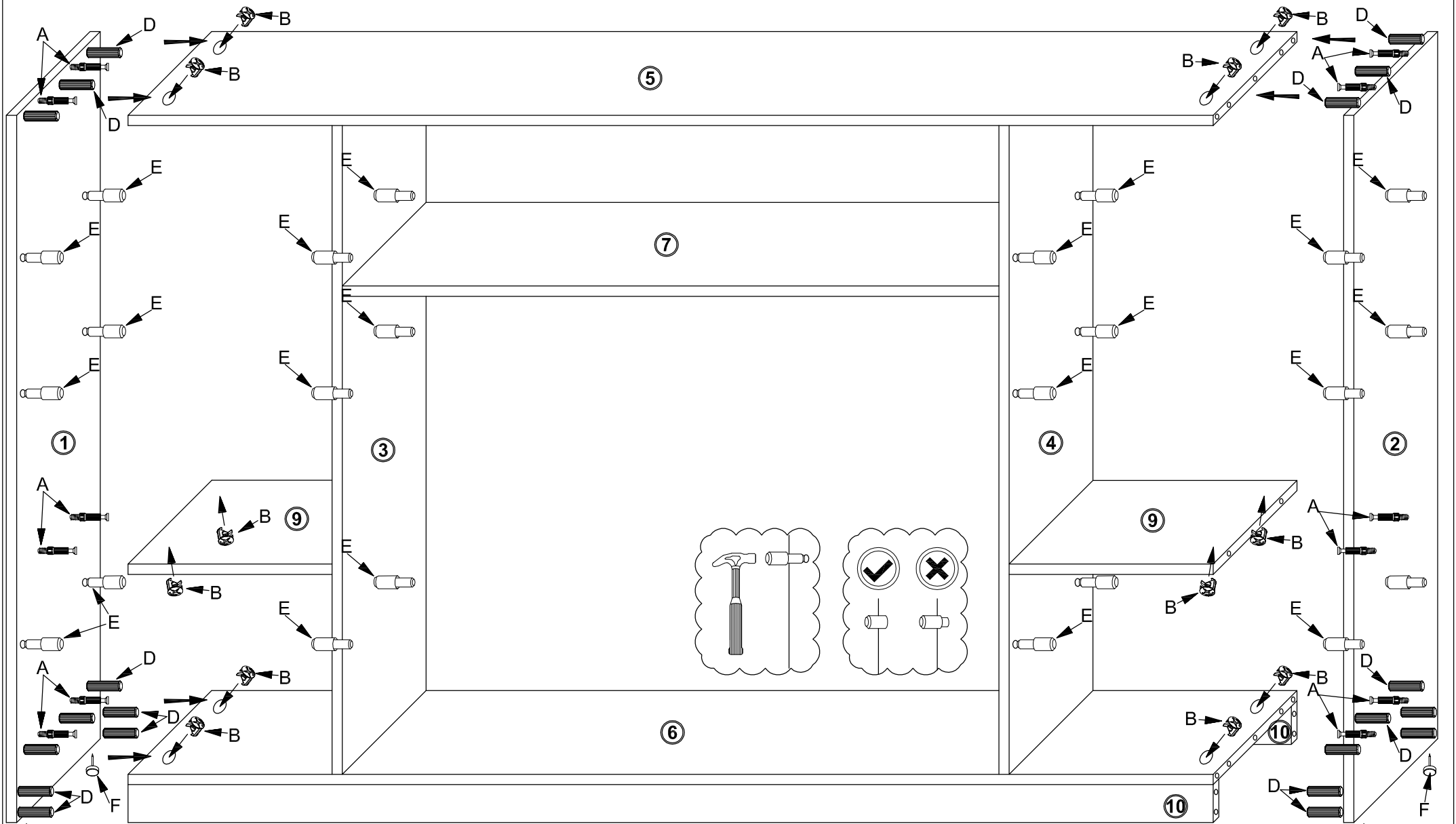


3

			
12 A	12 B	12 C	8 D



4

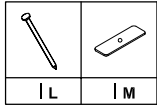
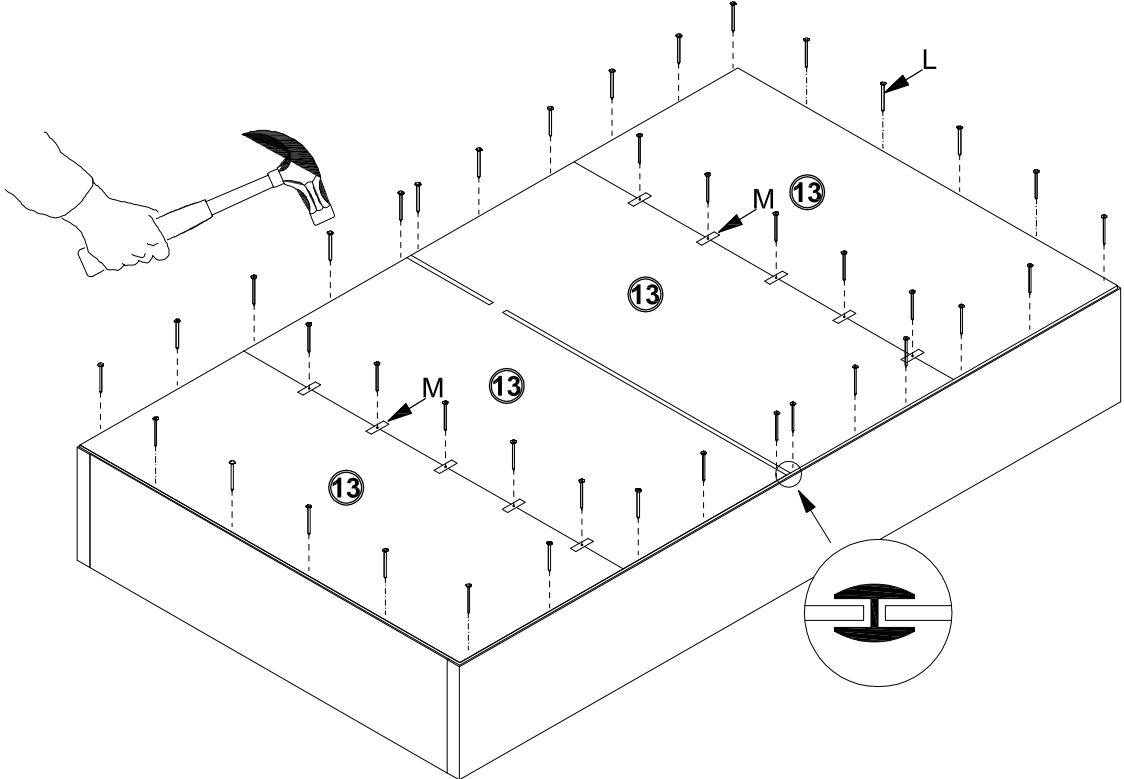
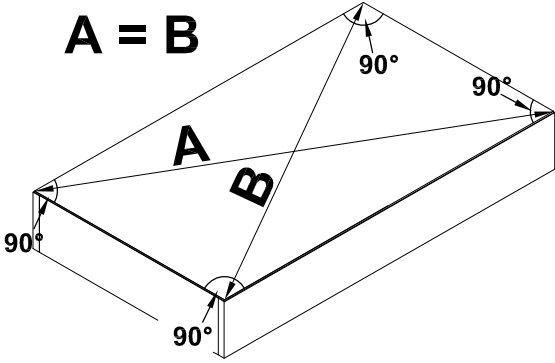


12 A	12 B	12 C	20 D	24 E	4 F

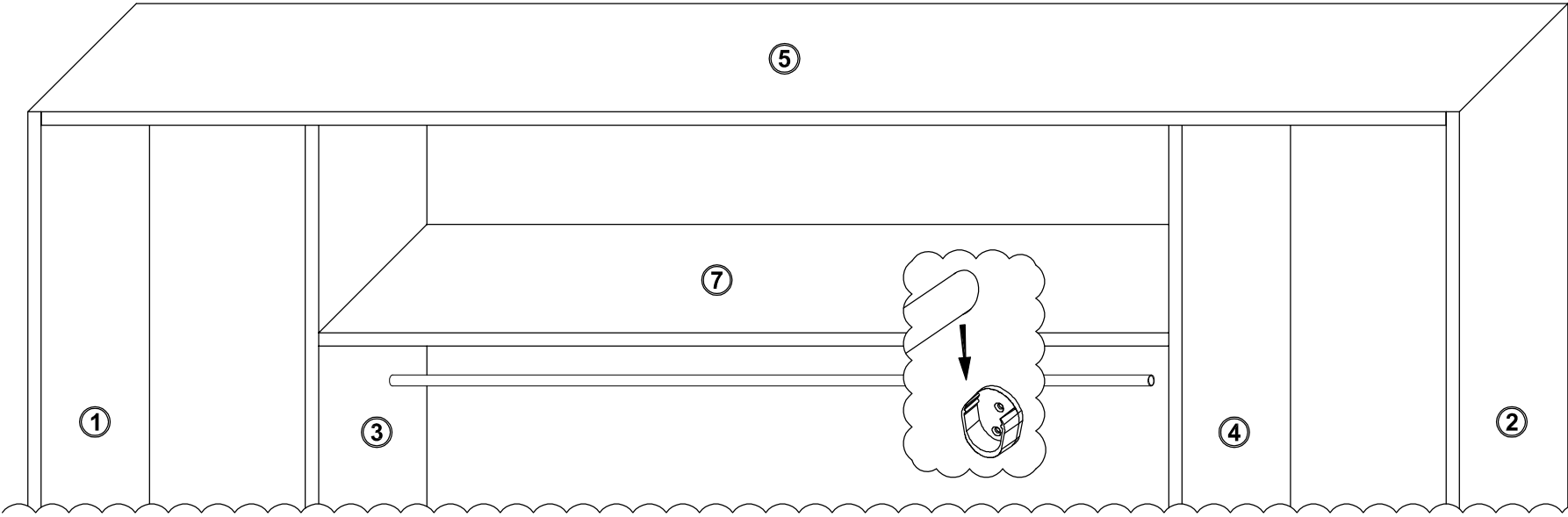
5

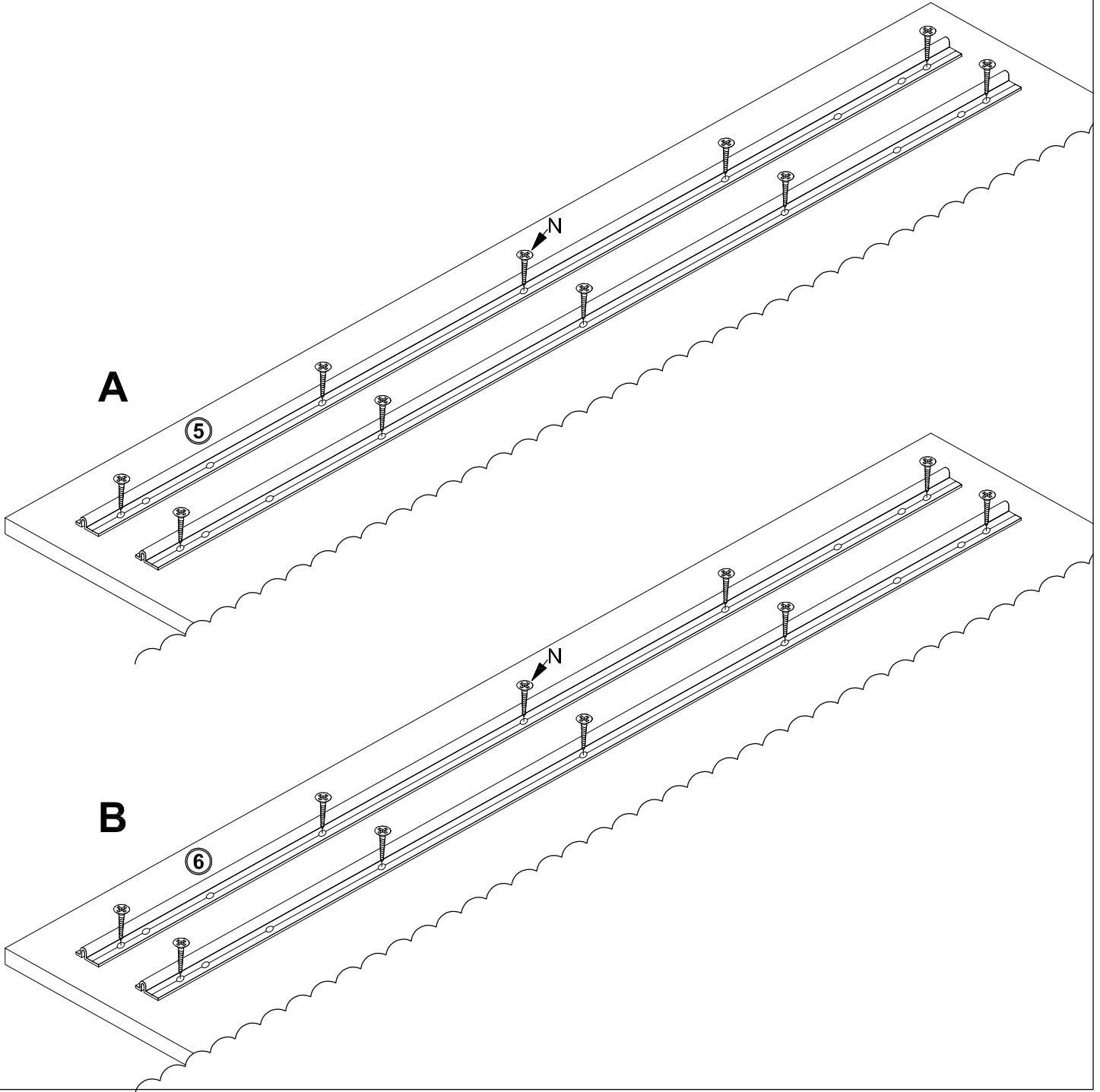
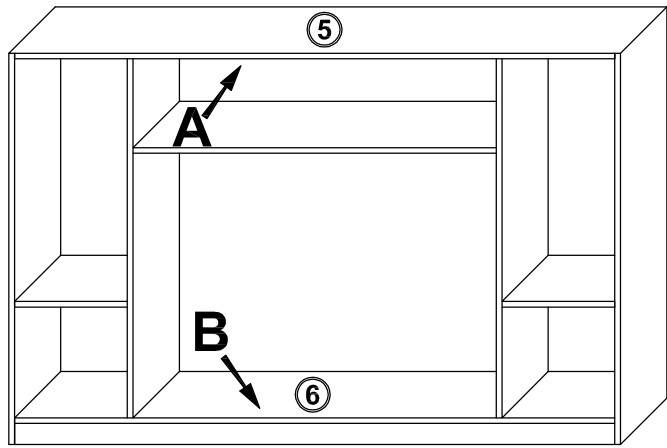
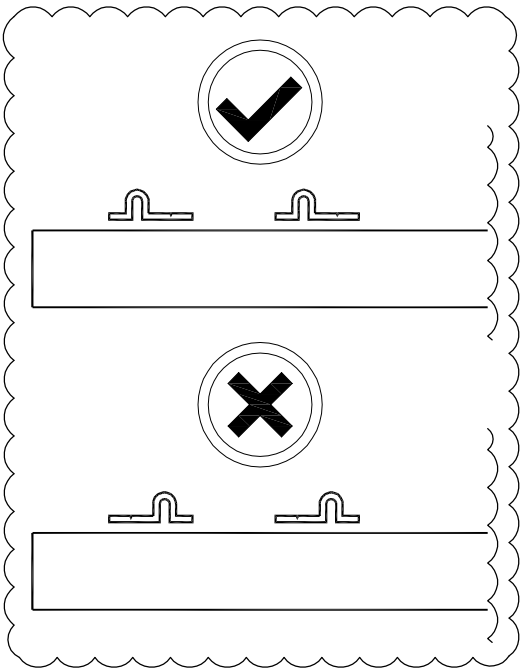


A = B



6



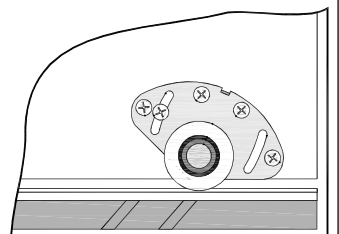
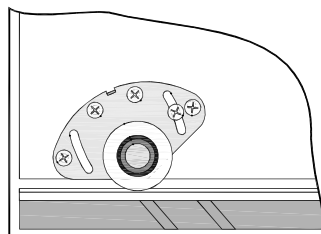
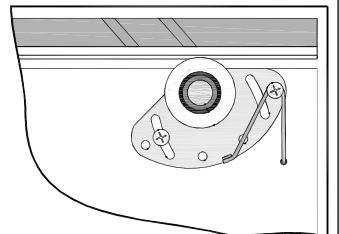
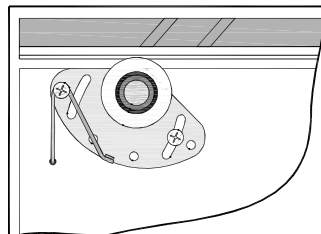
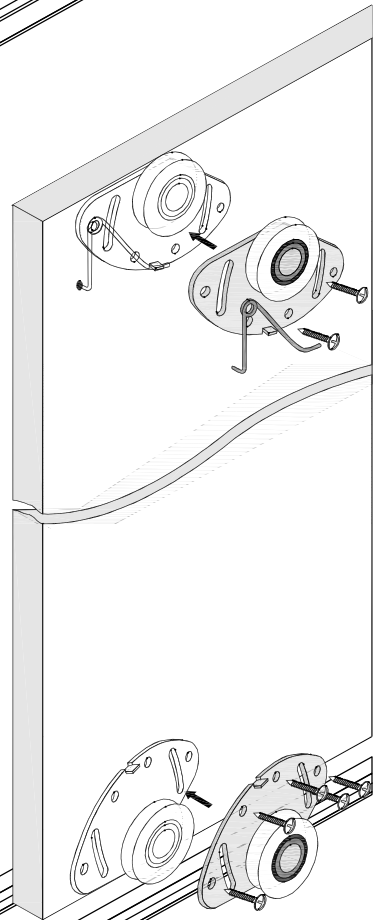
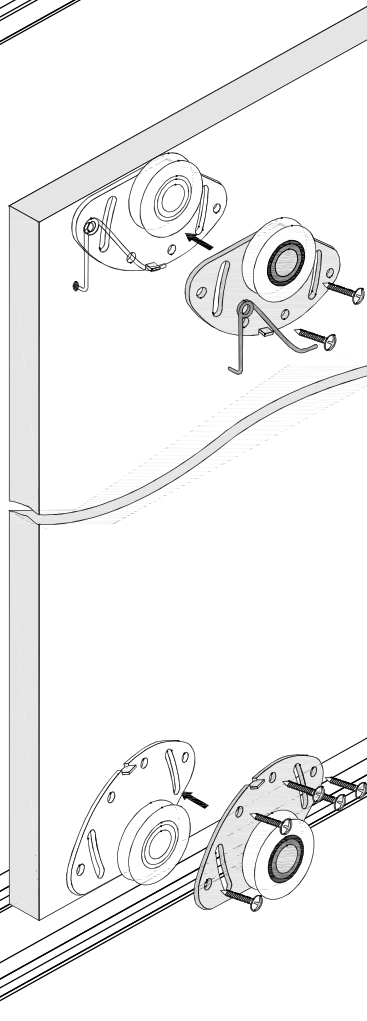
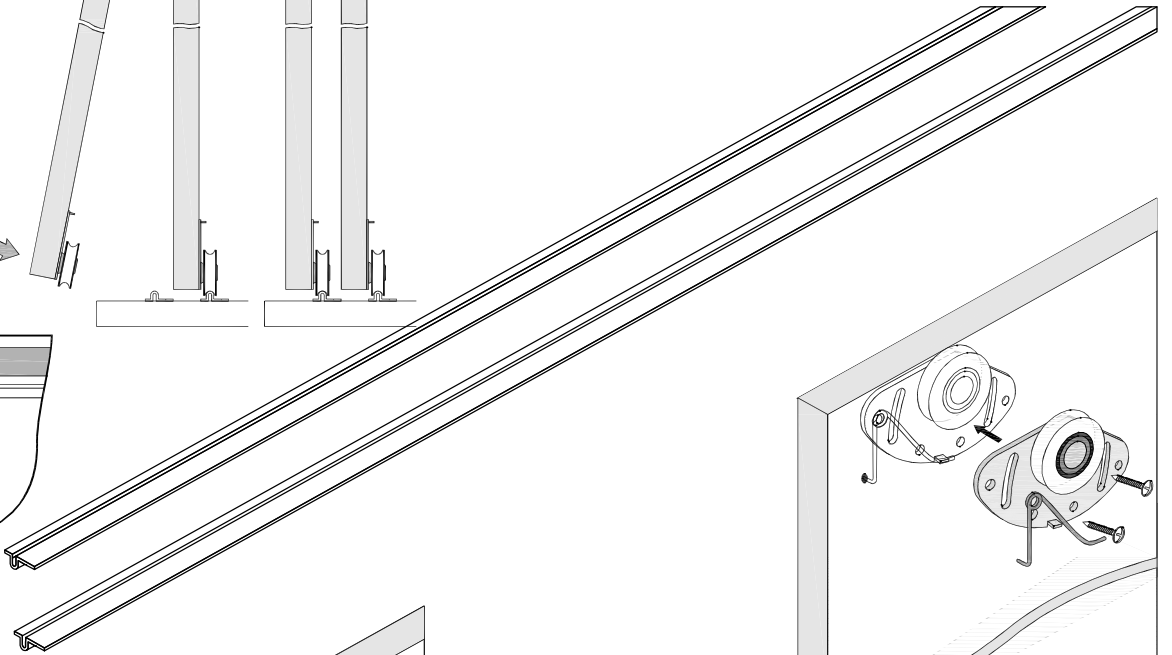
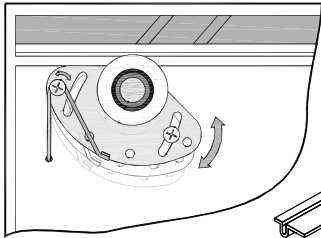
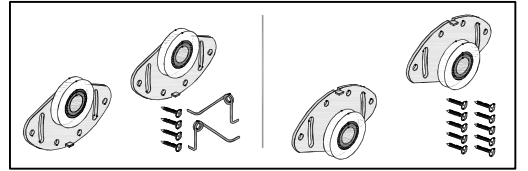


7

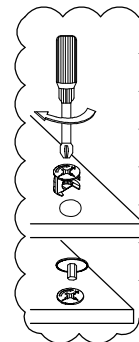
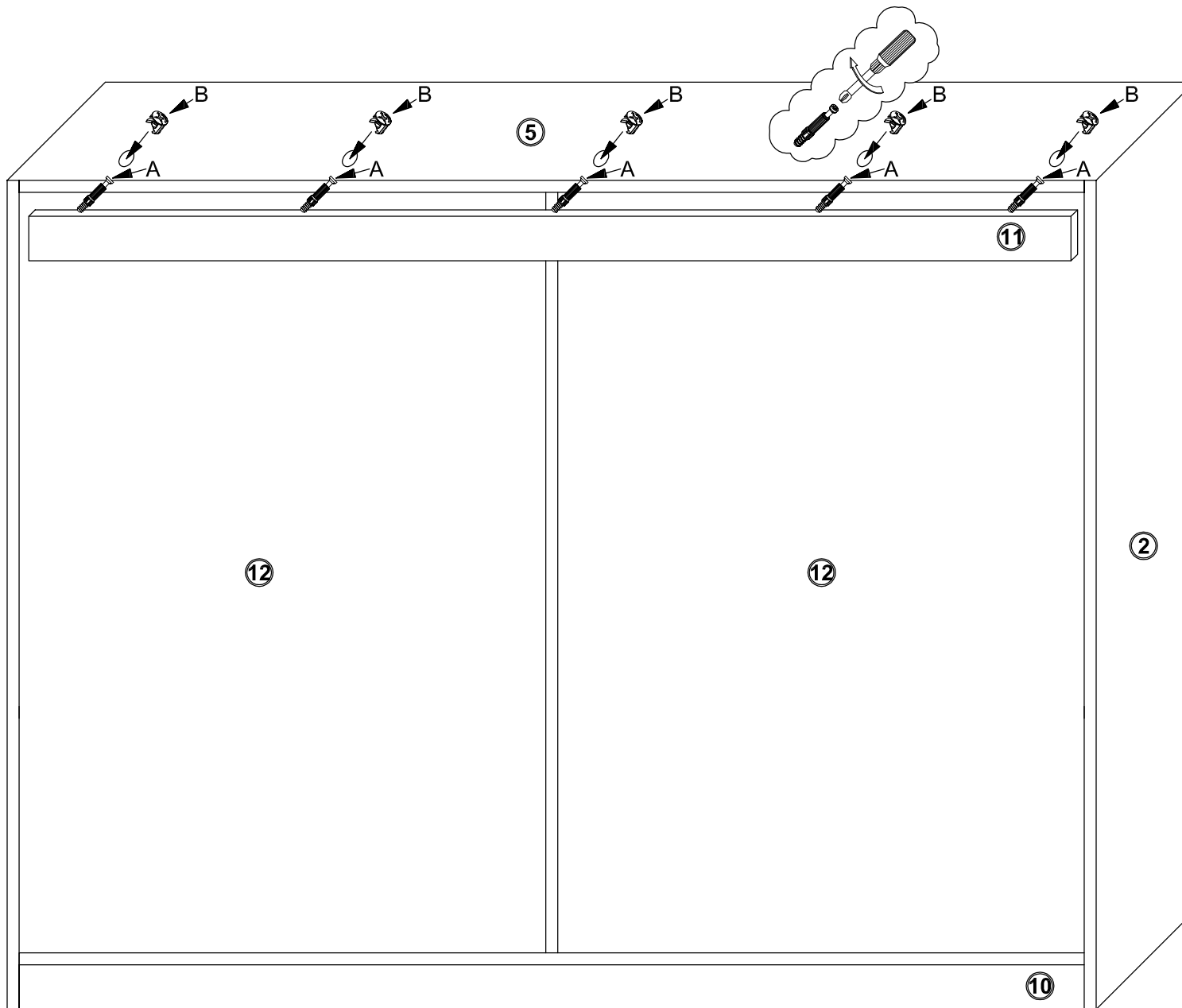
1




2

3



8



		
5 A	5 B	5 C