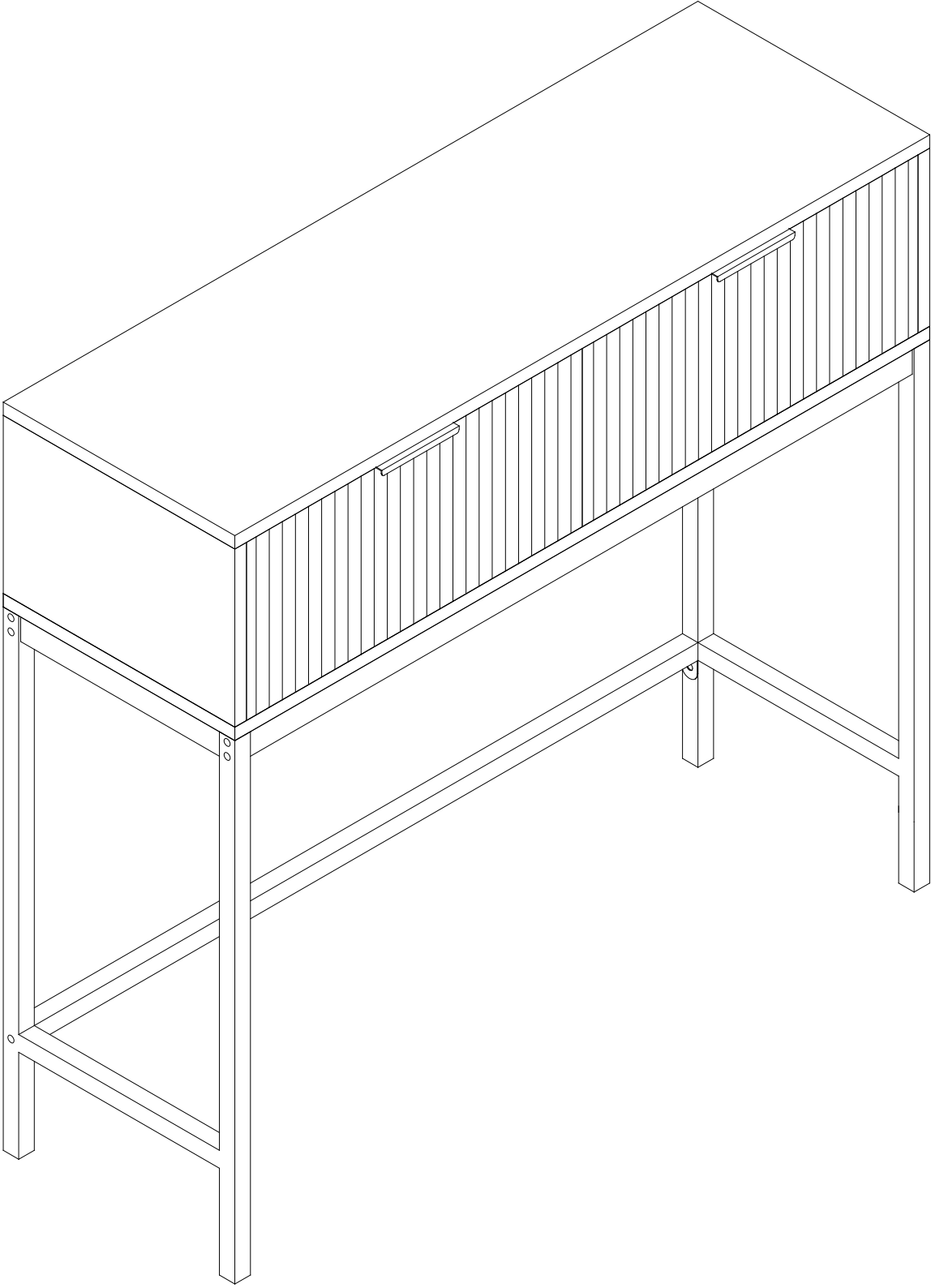
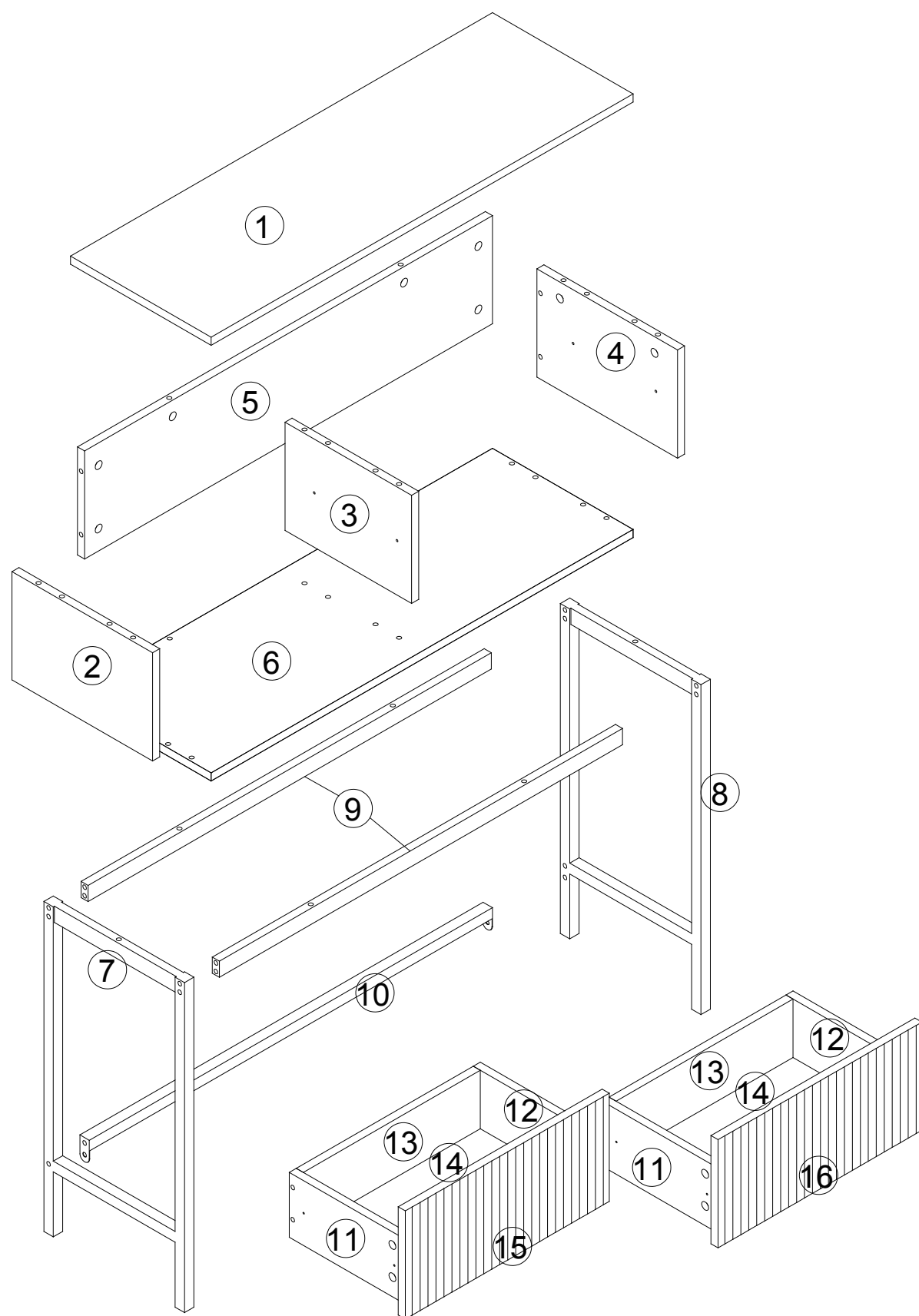

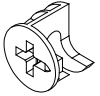
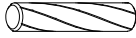

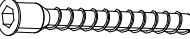
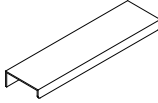
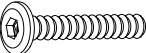
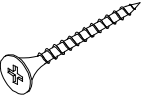
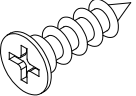
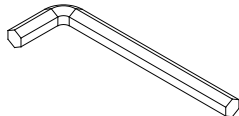
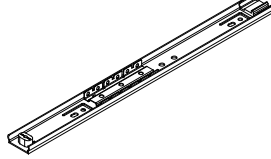





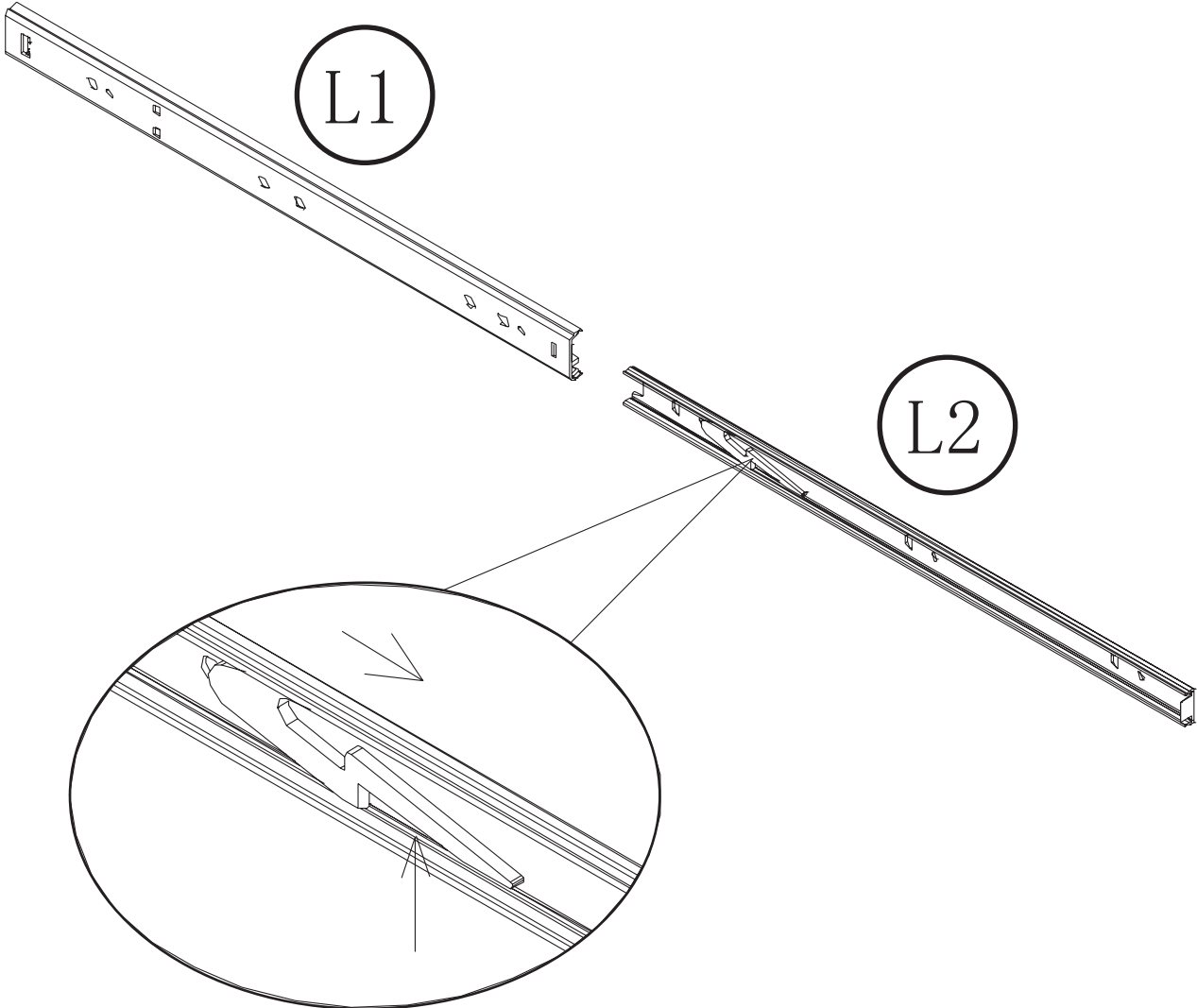
# ASSEMBLY INSTRUCTION



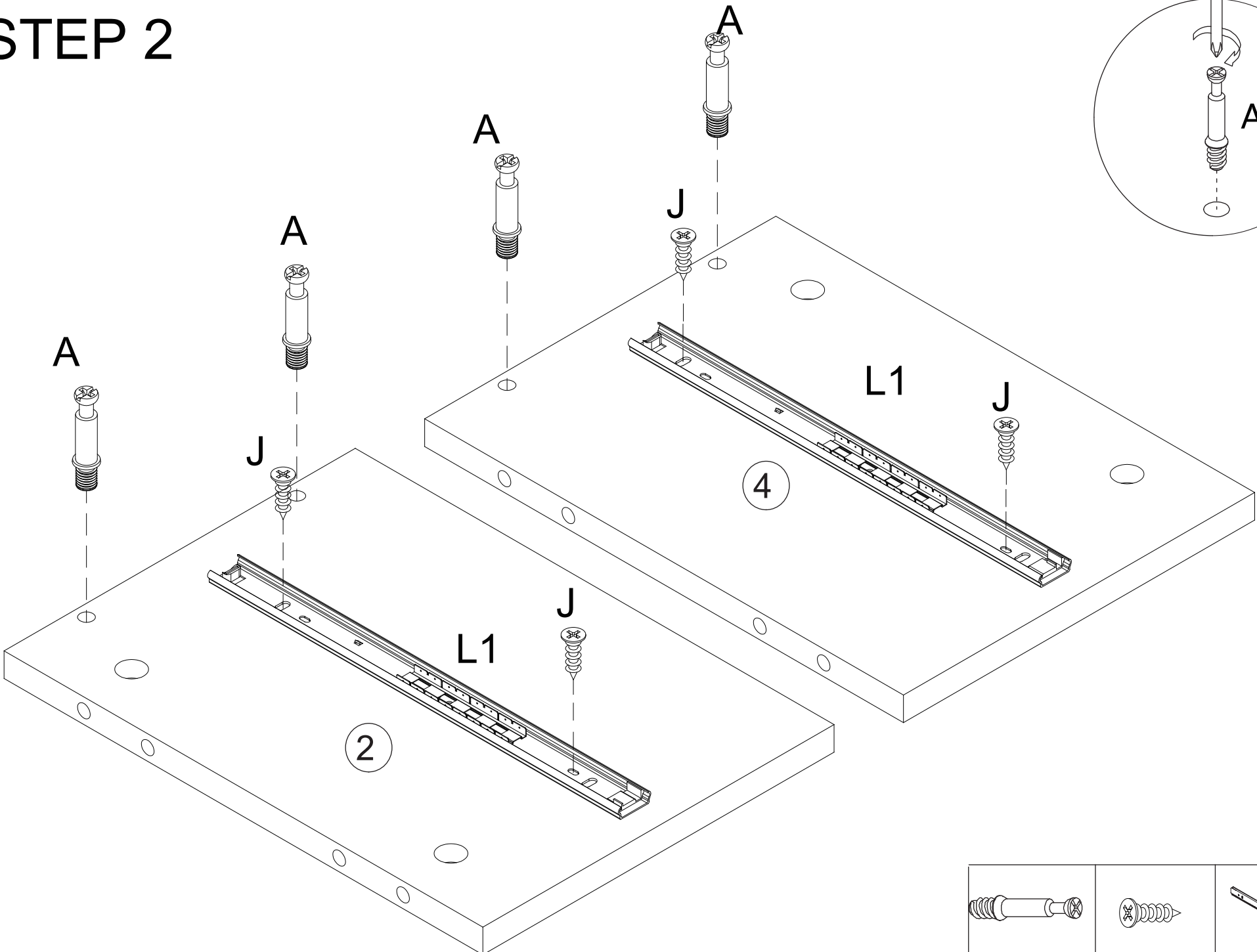


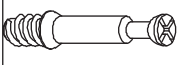

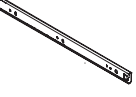
 <b>A x 20</b>	 <b>B x 20</b>	 <b>C x 12</b>	 <b>M6 x 40</b> <b>D x 16</b>	 <b>7 x 38</b> <b>E x 8</b>	 <b>F x 2</b>
 <b>M6 x 12</b> <b>G x 2</b>	 <b>3.5 x 35</b> <b>H x 1</b>	 <b>3.5 x 14</b> <b>J x 25</b>	 <b>K x 1</b>	 <b>L x 4</b>	 <b>4 x 35</b> <b>M x 8</b>
 <b>N x 1</b>	 <b>O x 1</b>				

# STEP 1

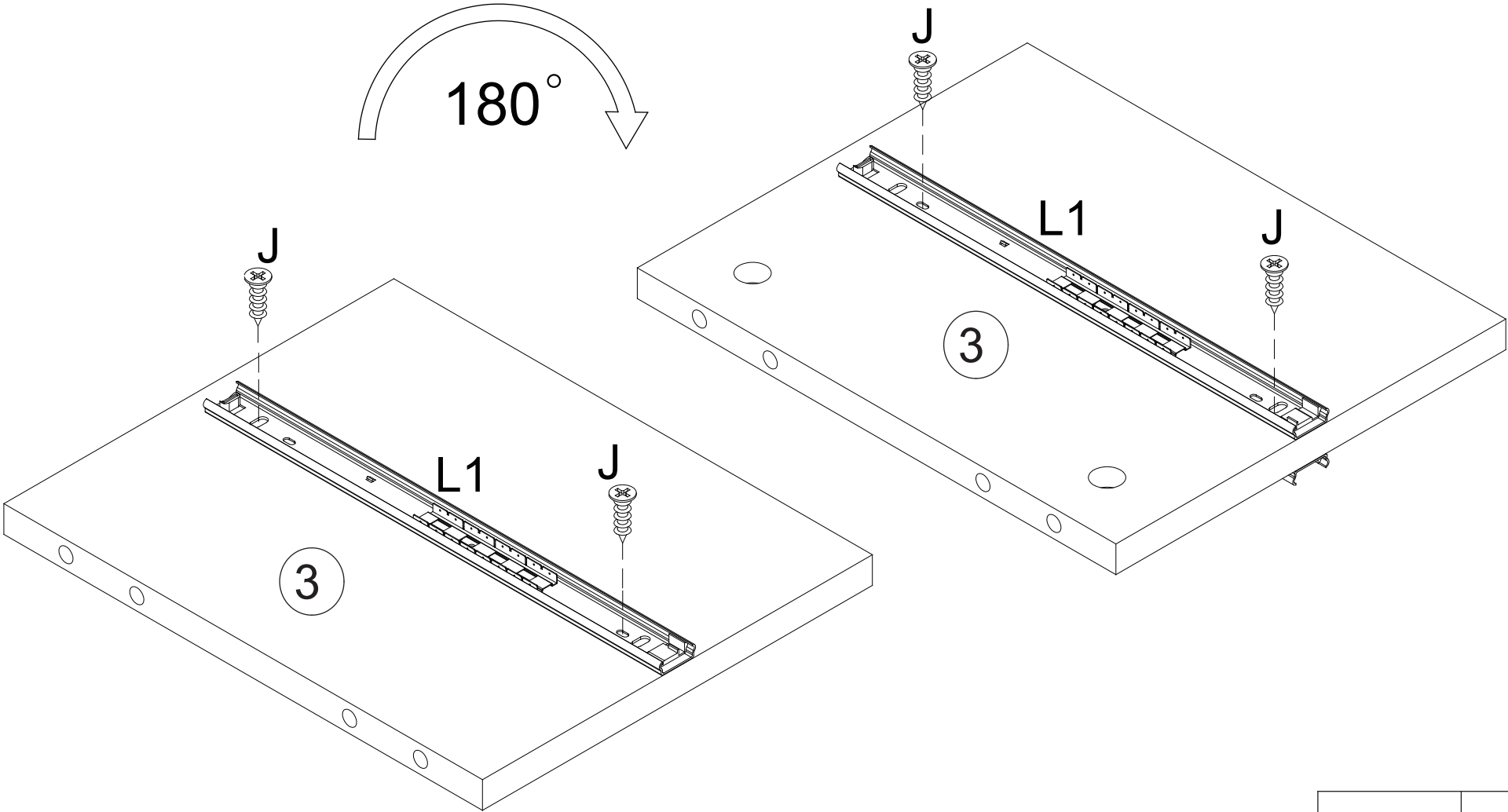



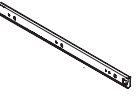
# STEP 2



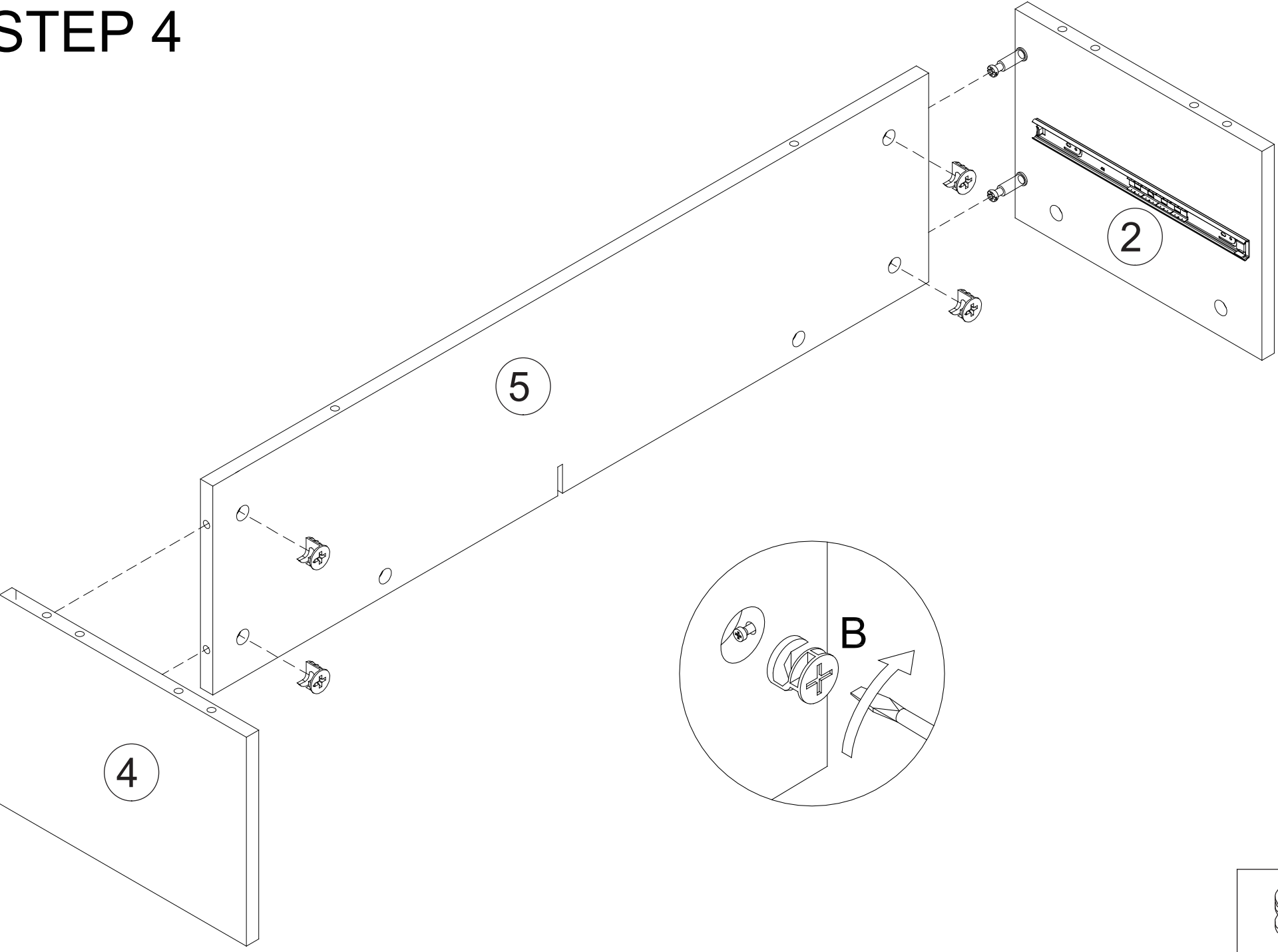
		
A x 4	J x 4	L x 2

# STEP 3



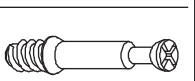
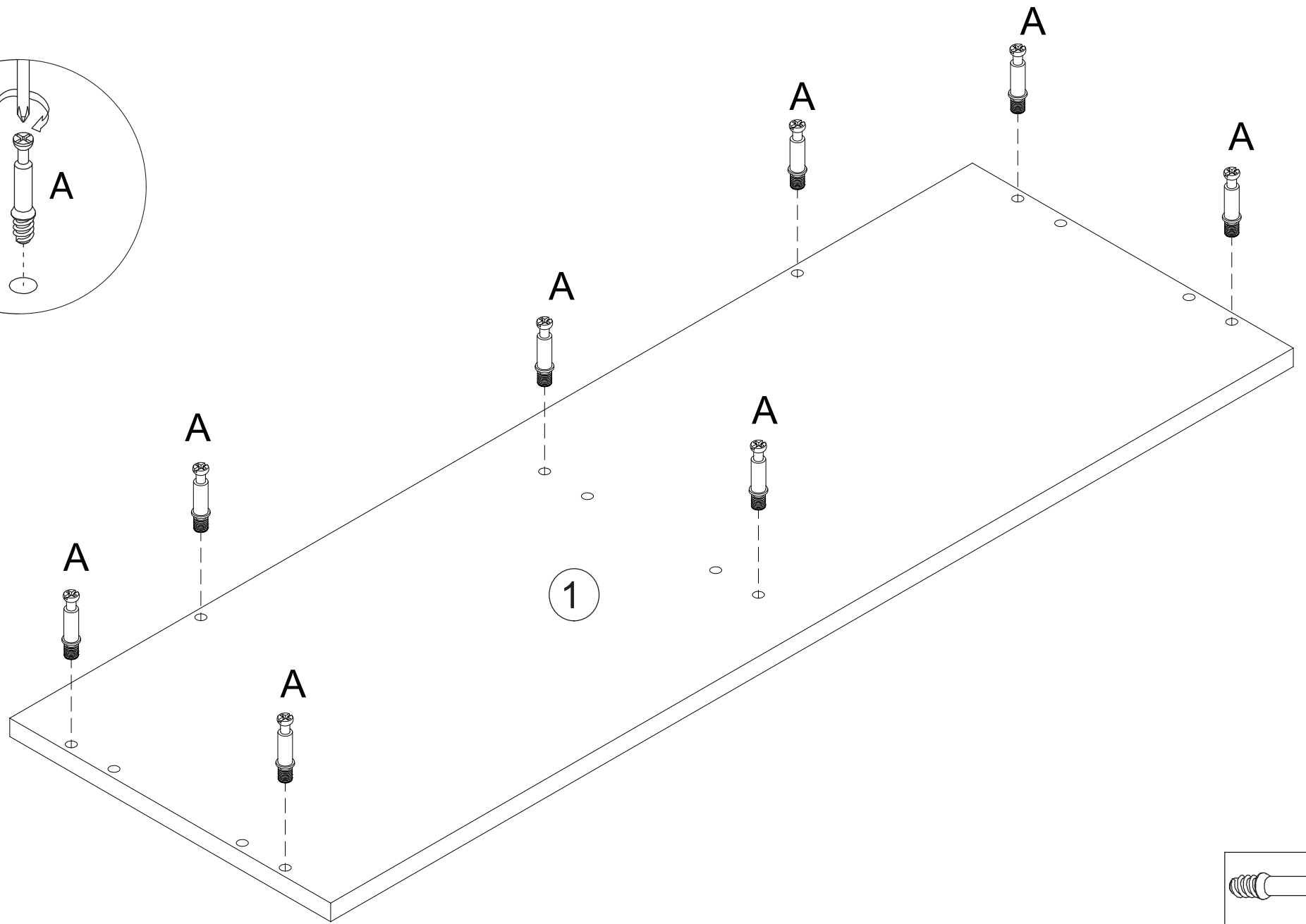
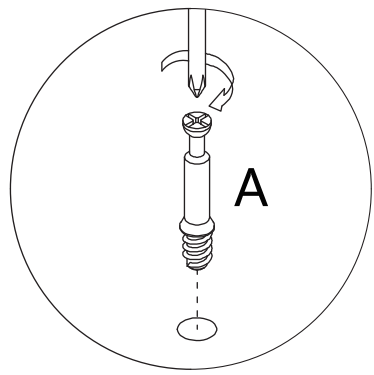
	
J x 4	L1 x 2

# STEP 4



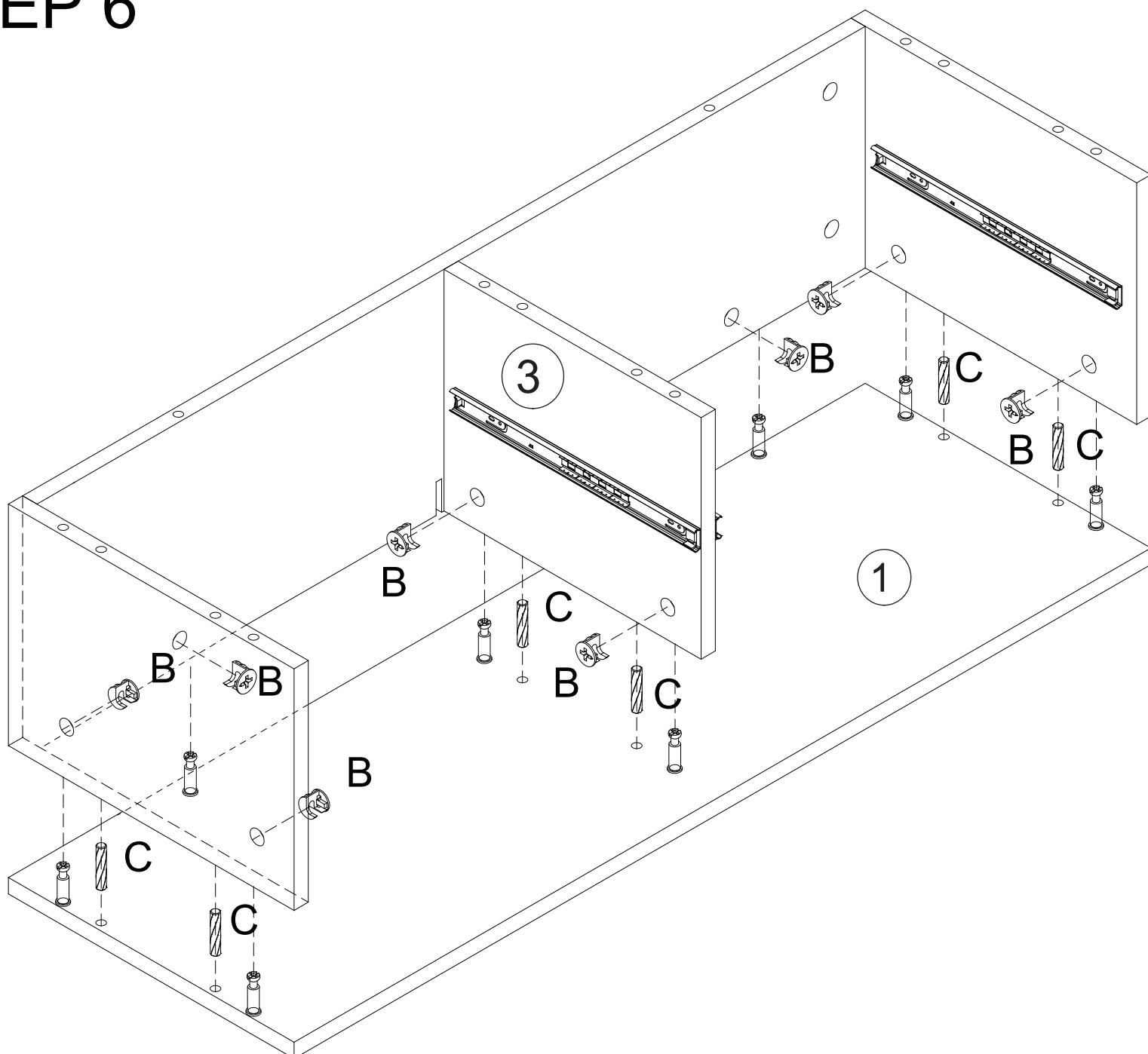

B x 4

# STEP 5



A x 8

# STEP 6

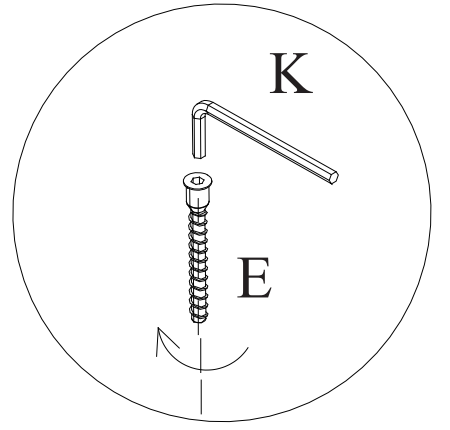
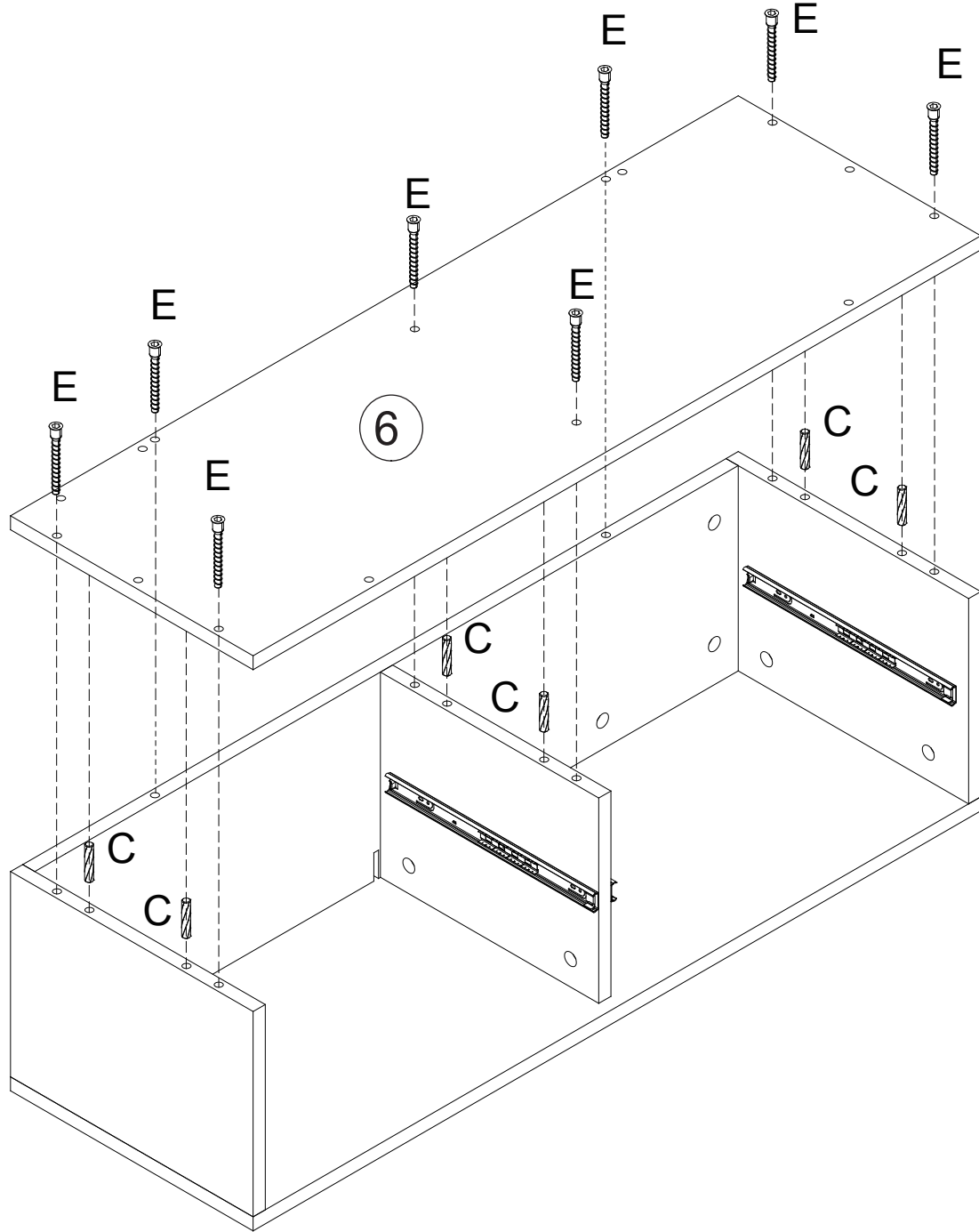



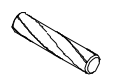
B x 8



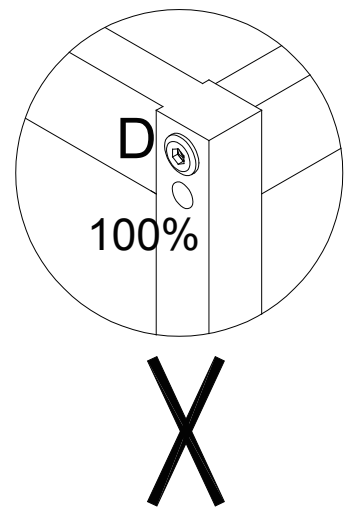
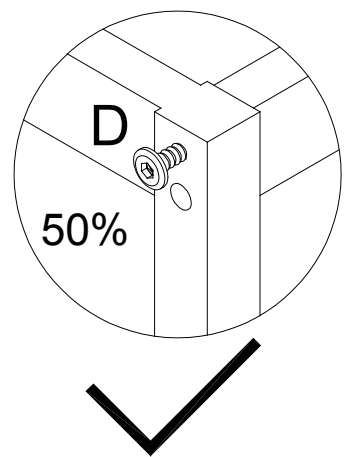
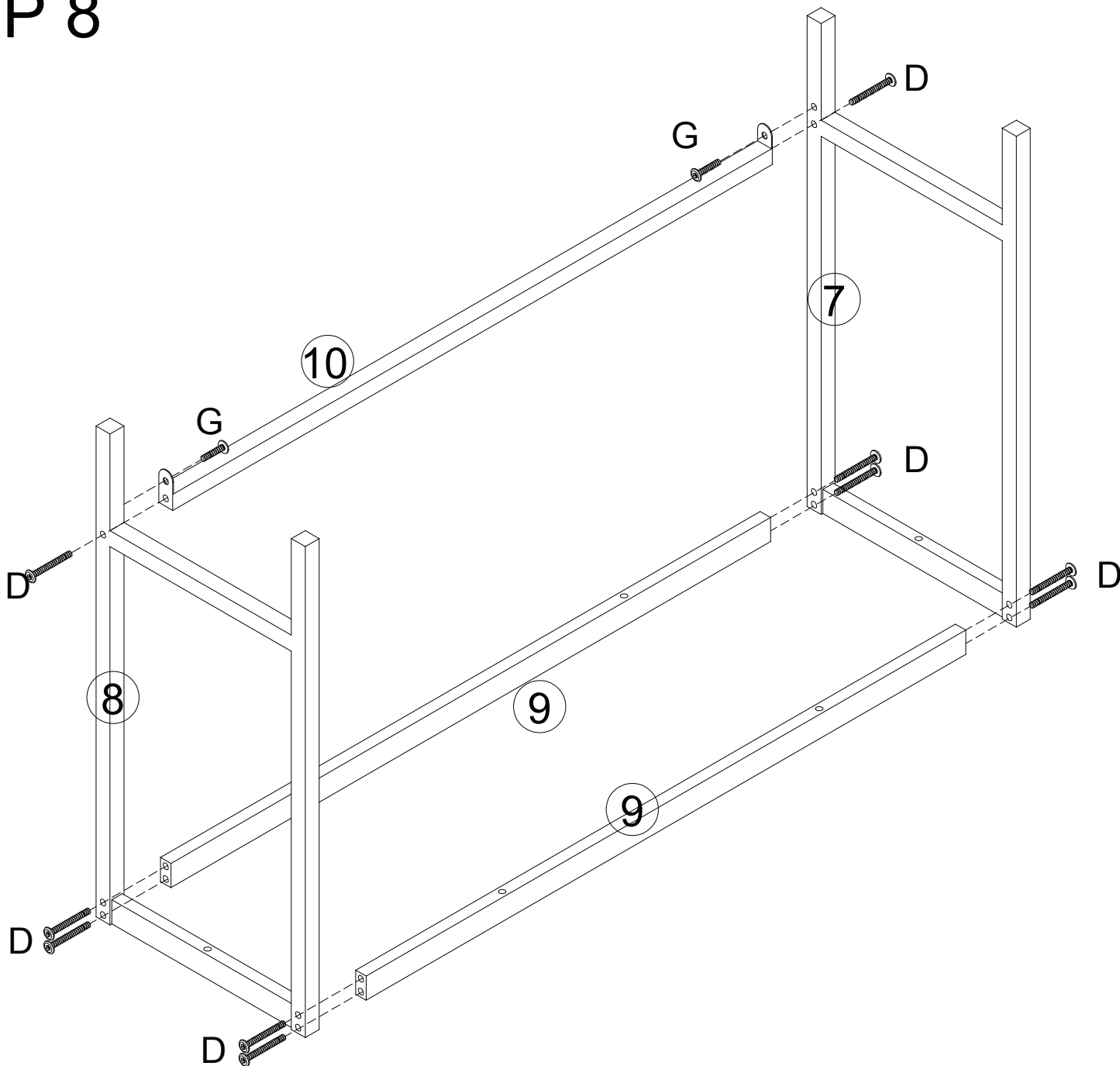
C x 6



# STEP 7



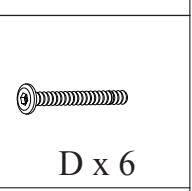
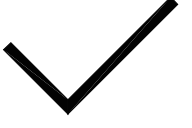
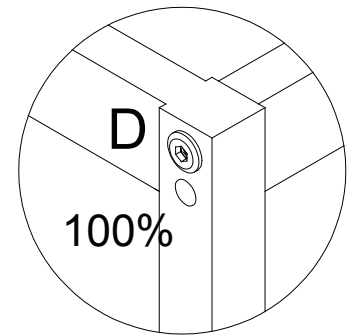
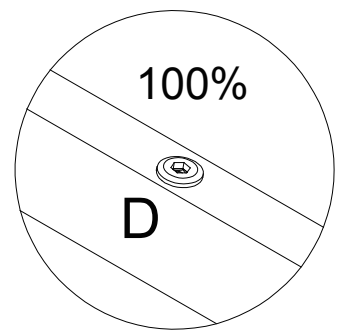
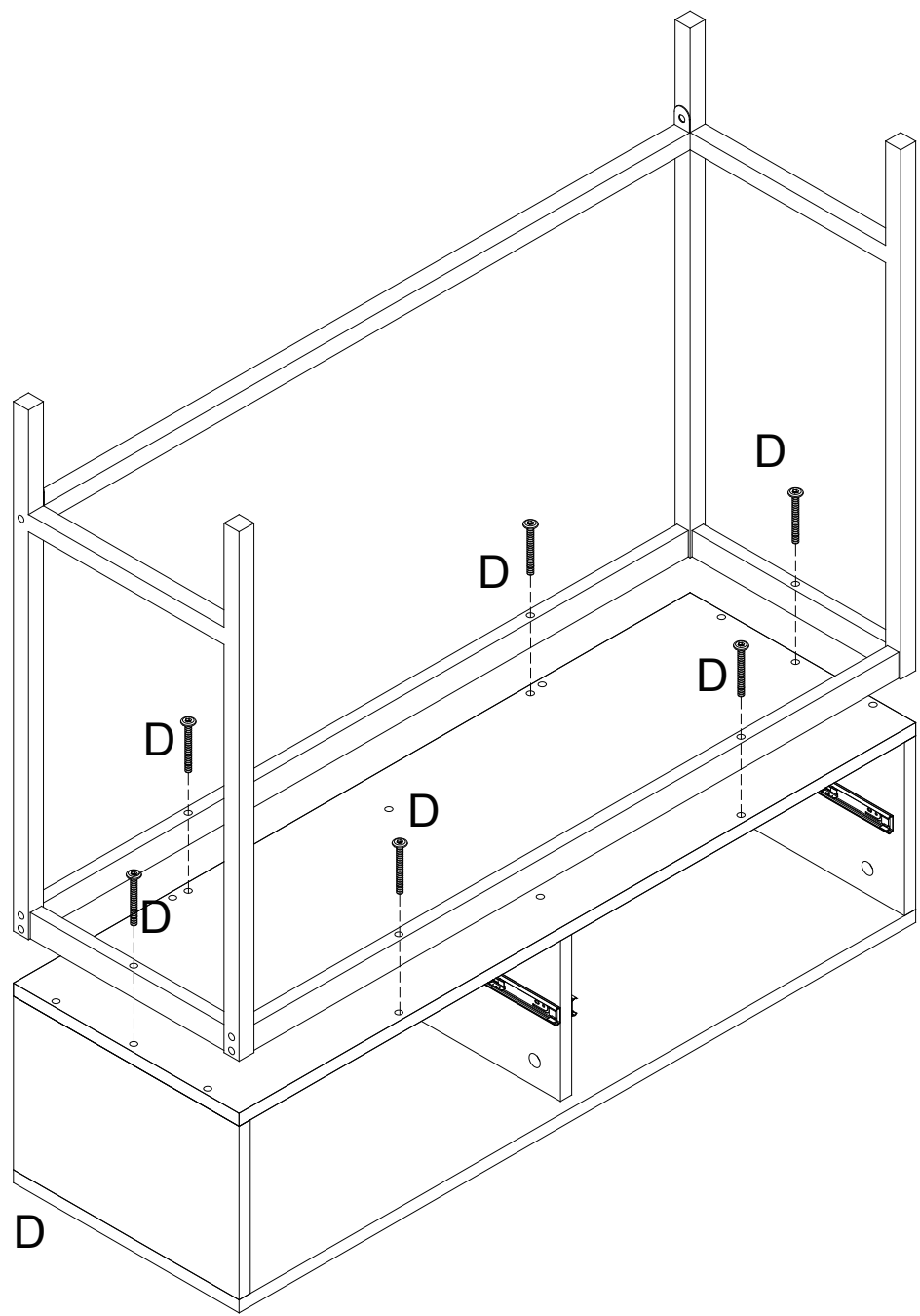
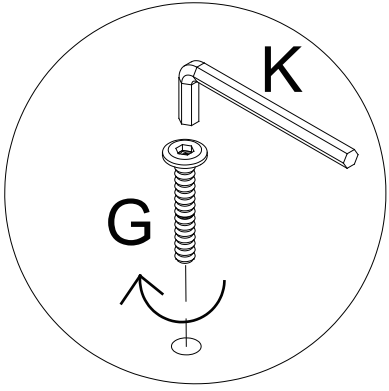
	
E x 8	C x 6

# STEP 8



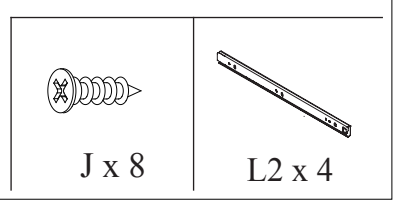
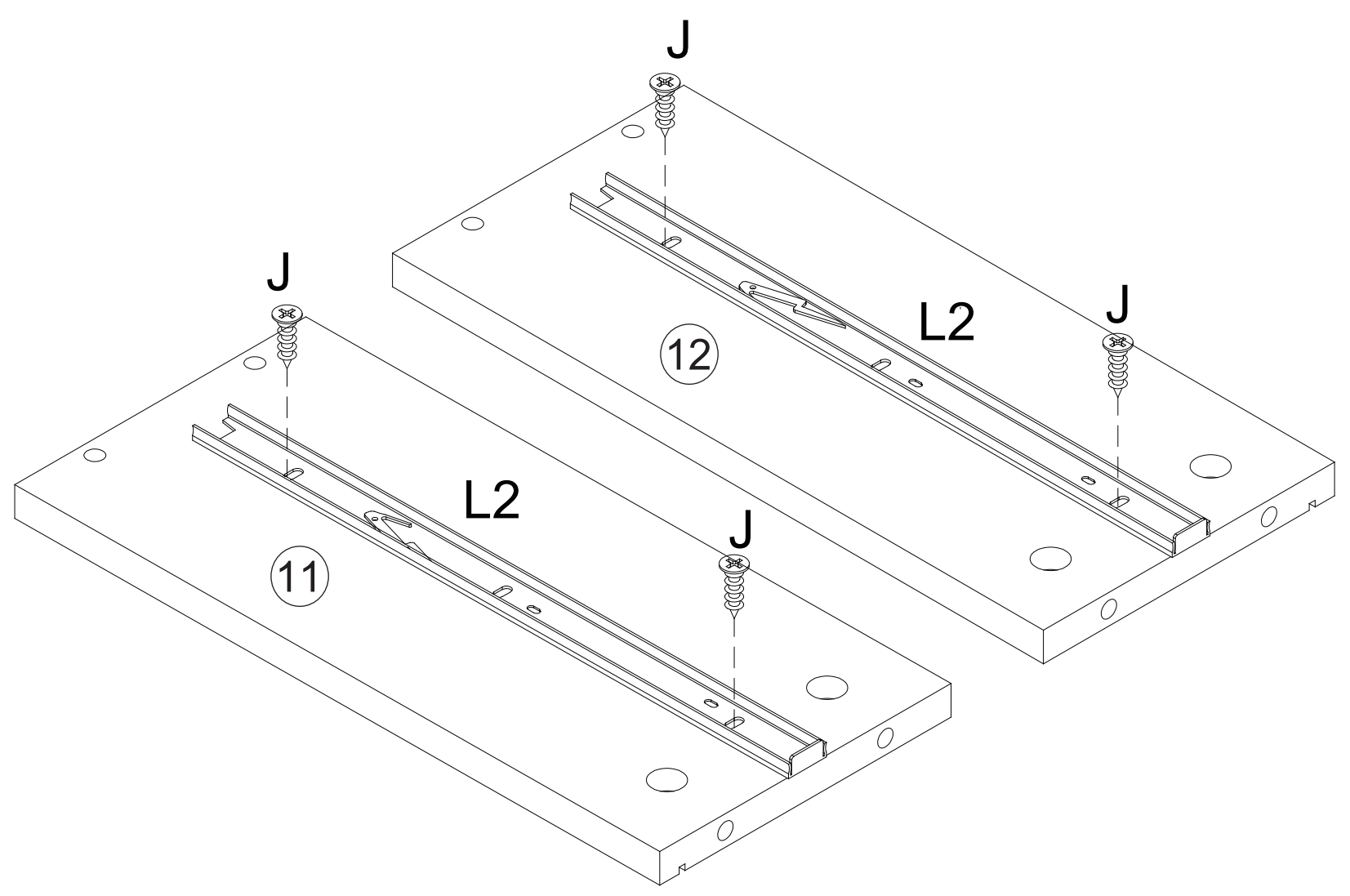
	
D x 10	G x 2

# STEP 9

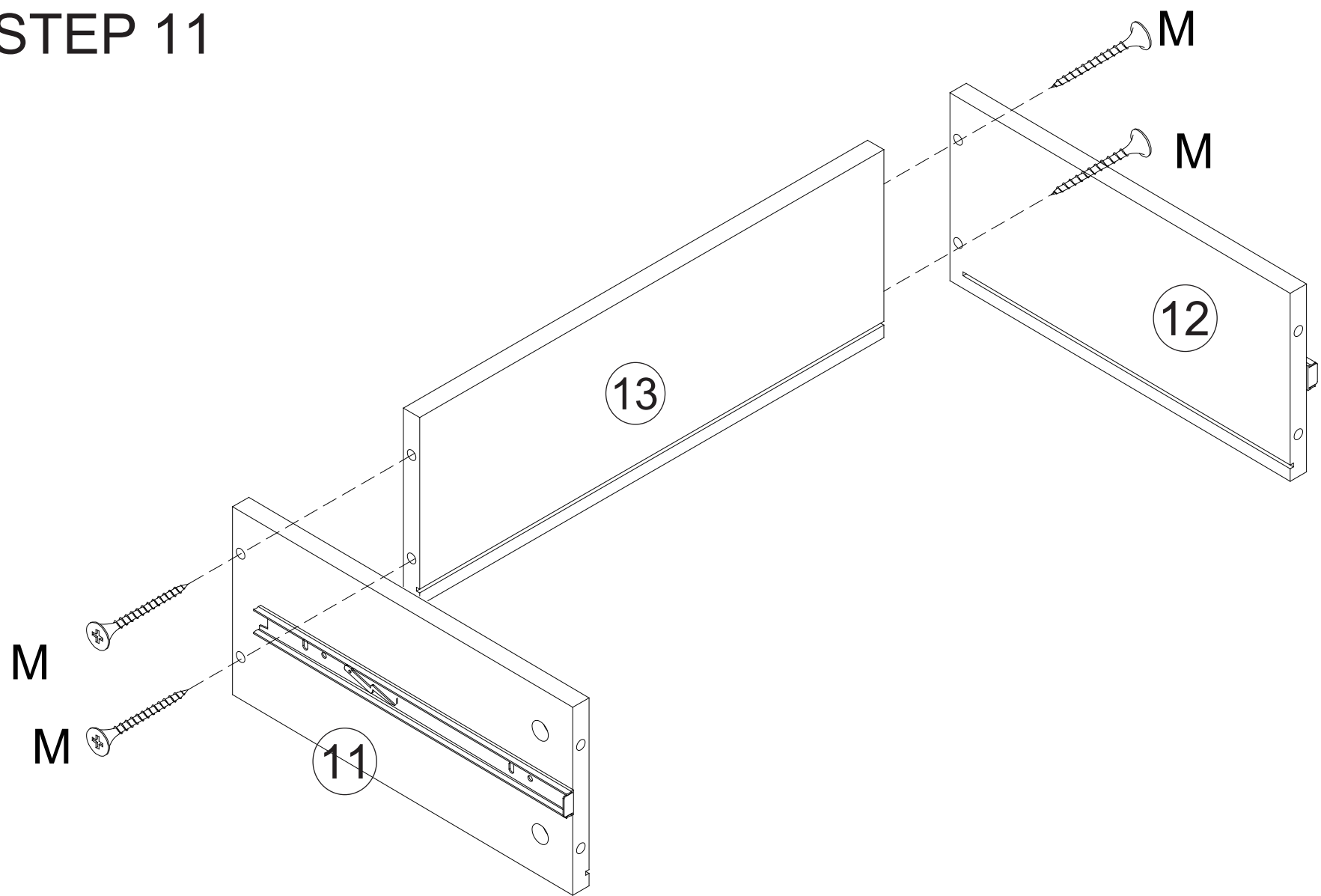


# STEP 10

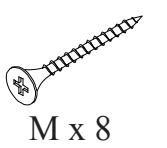
x2



# STEP 11

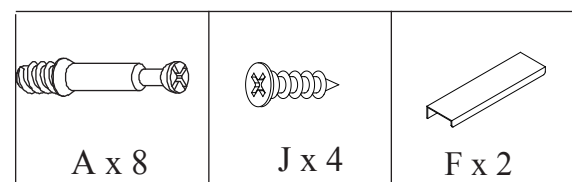
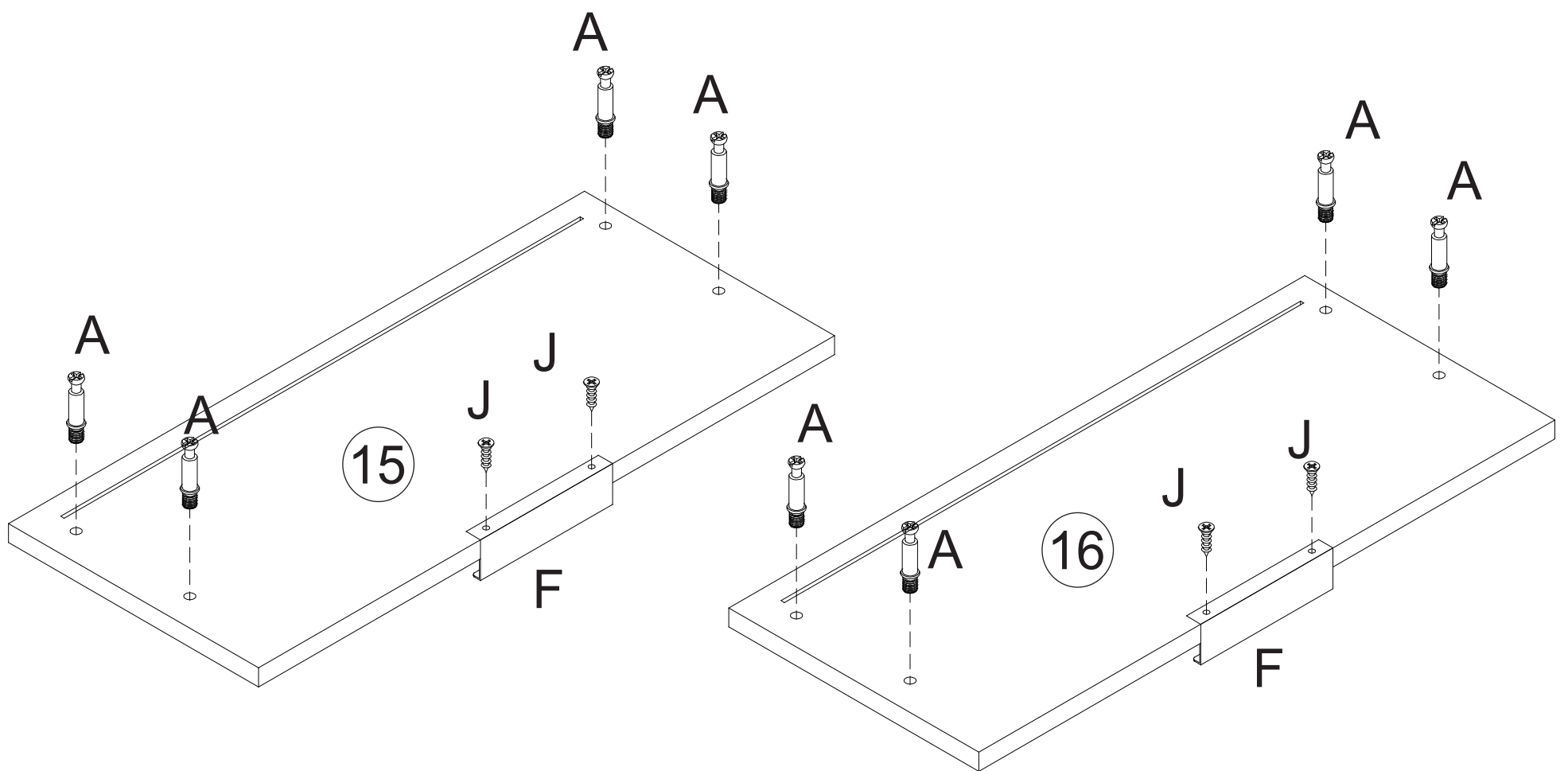


x2



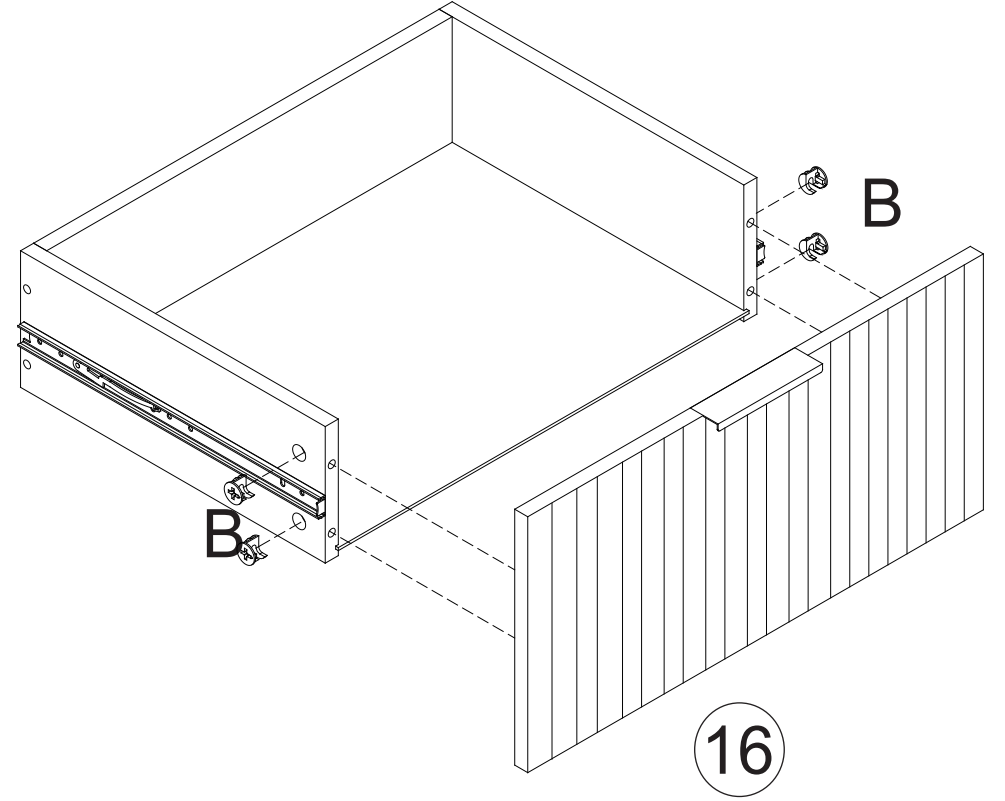
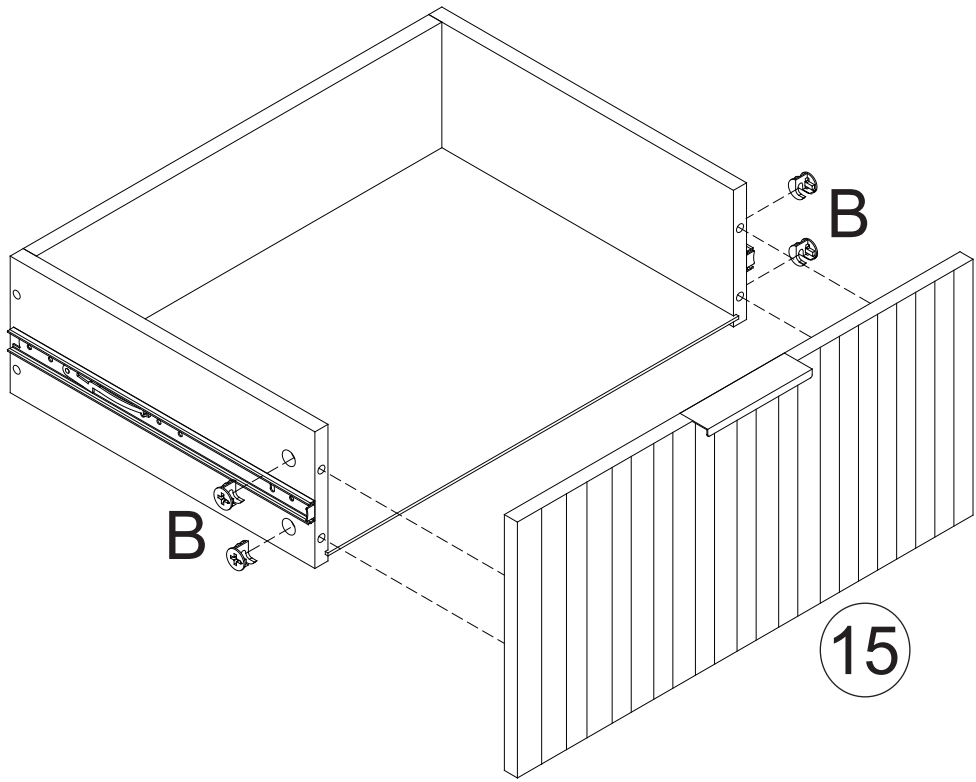
M x 8

# STEP 12



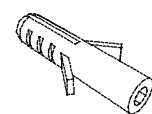
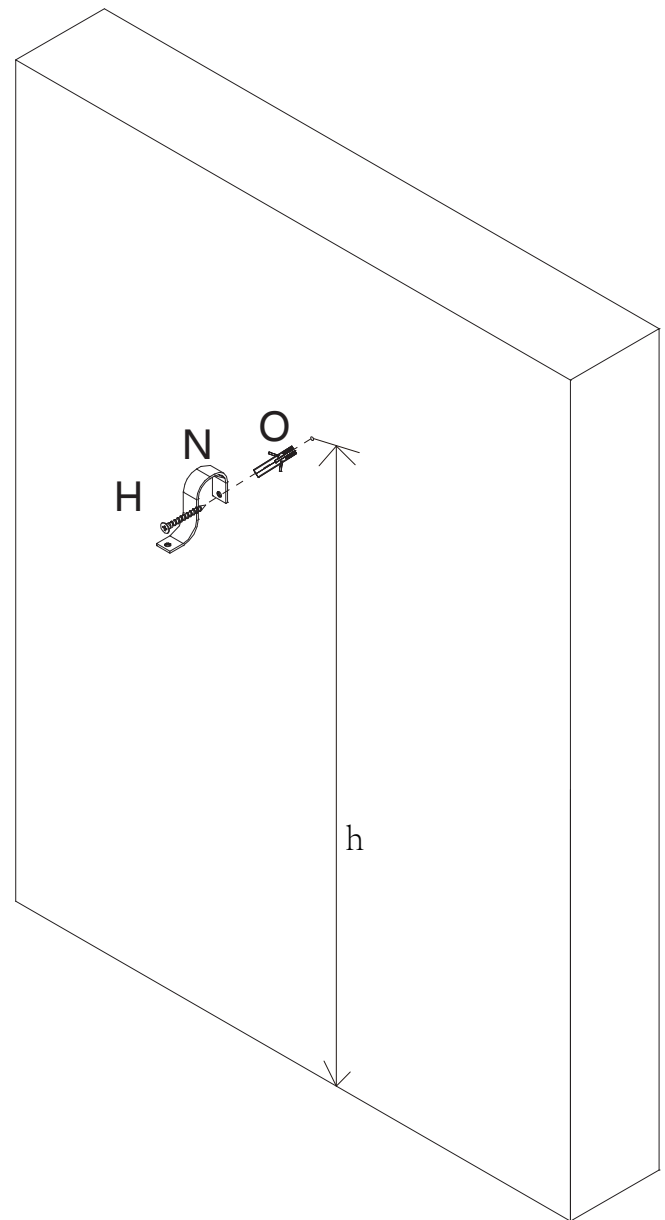
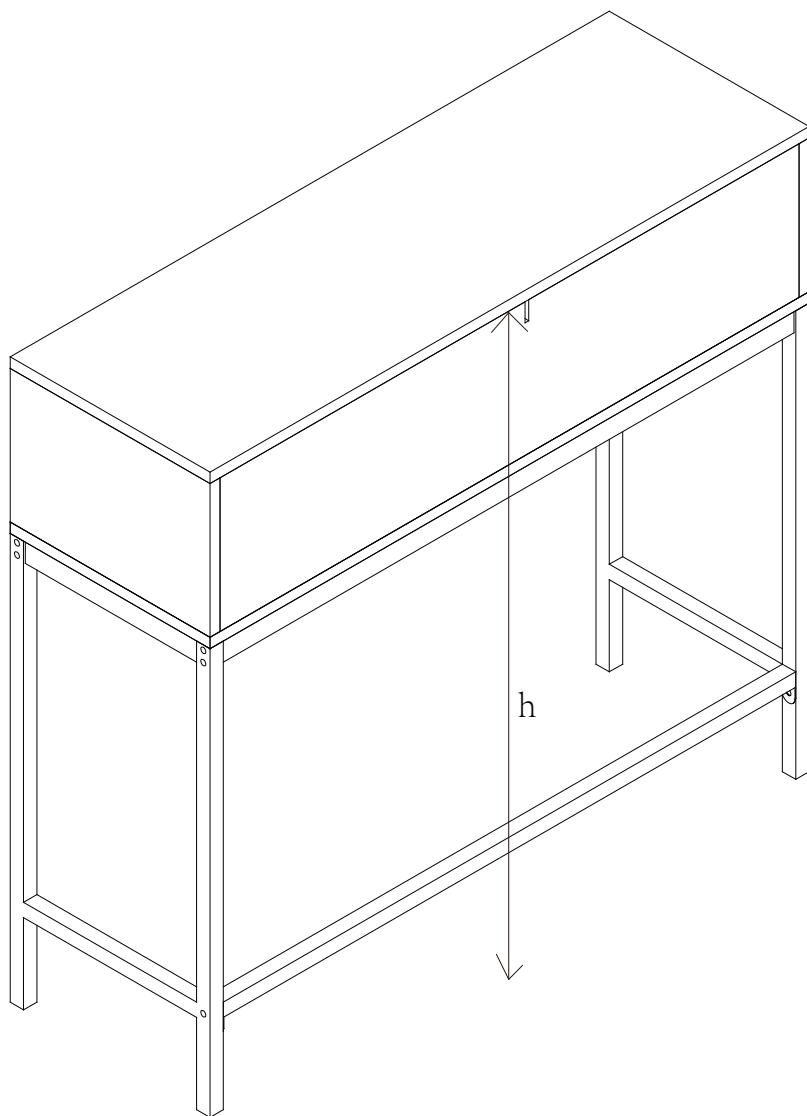


# STEP 13

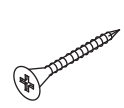


B x 8

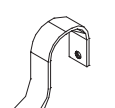
# STEP 14



O x 1

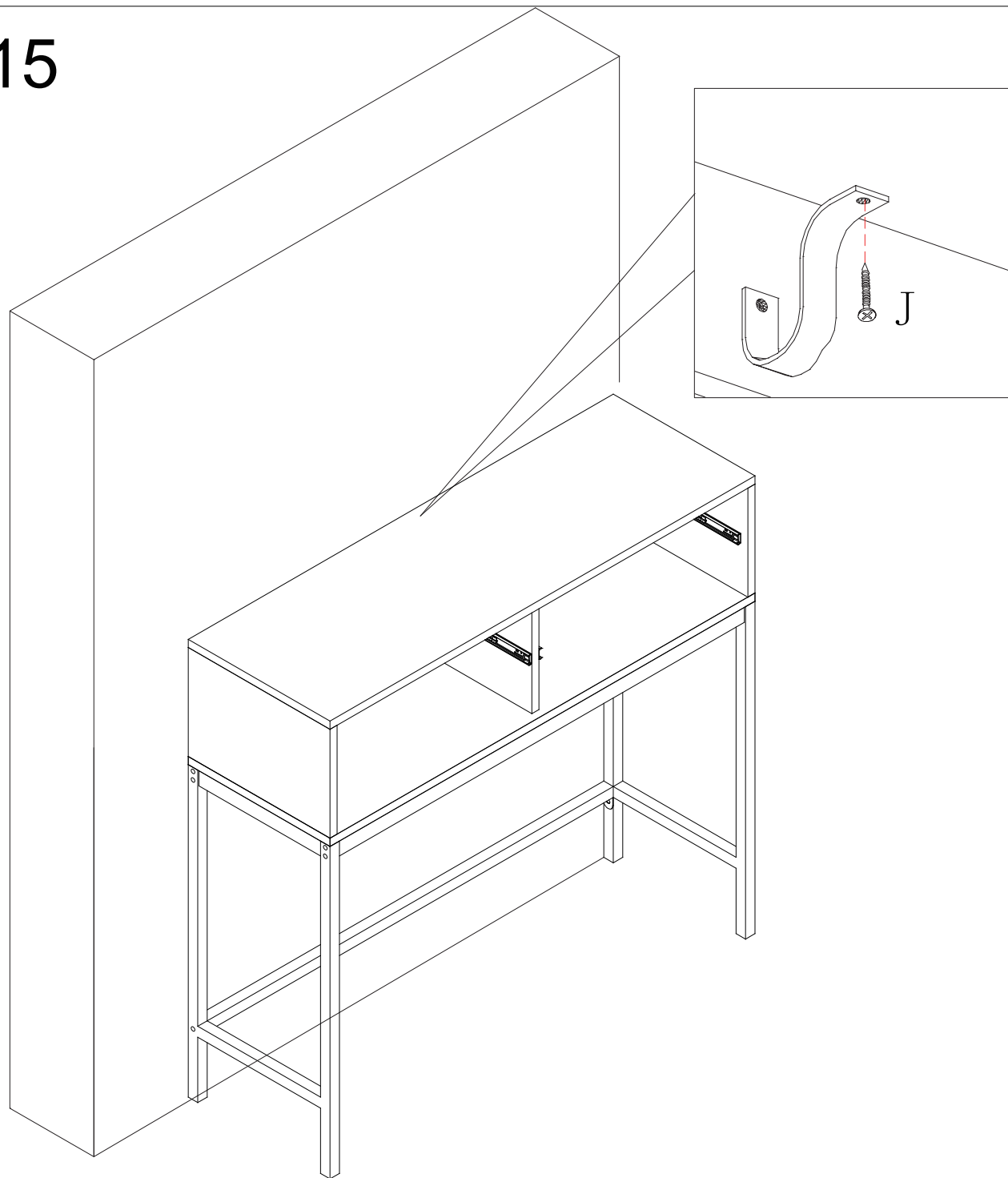


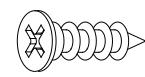
H x 1



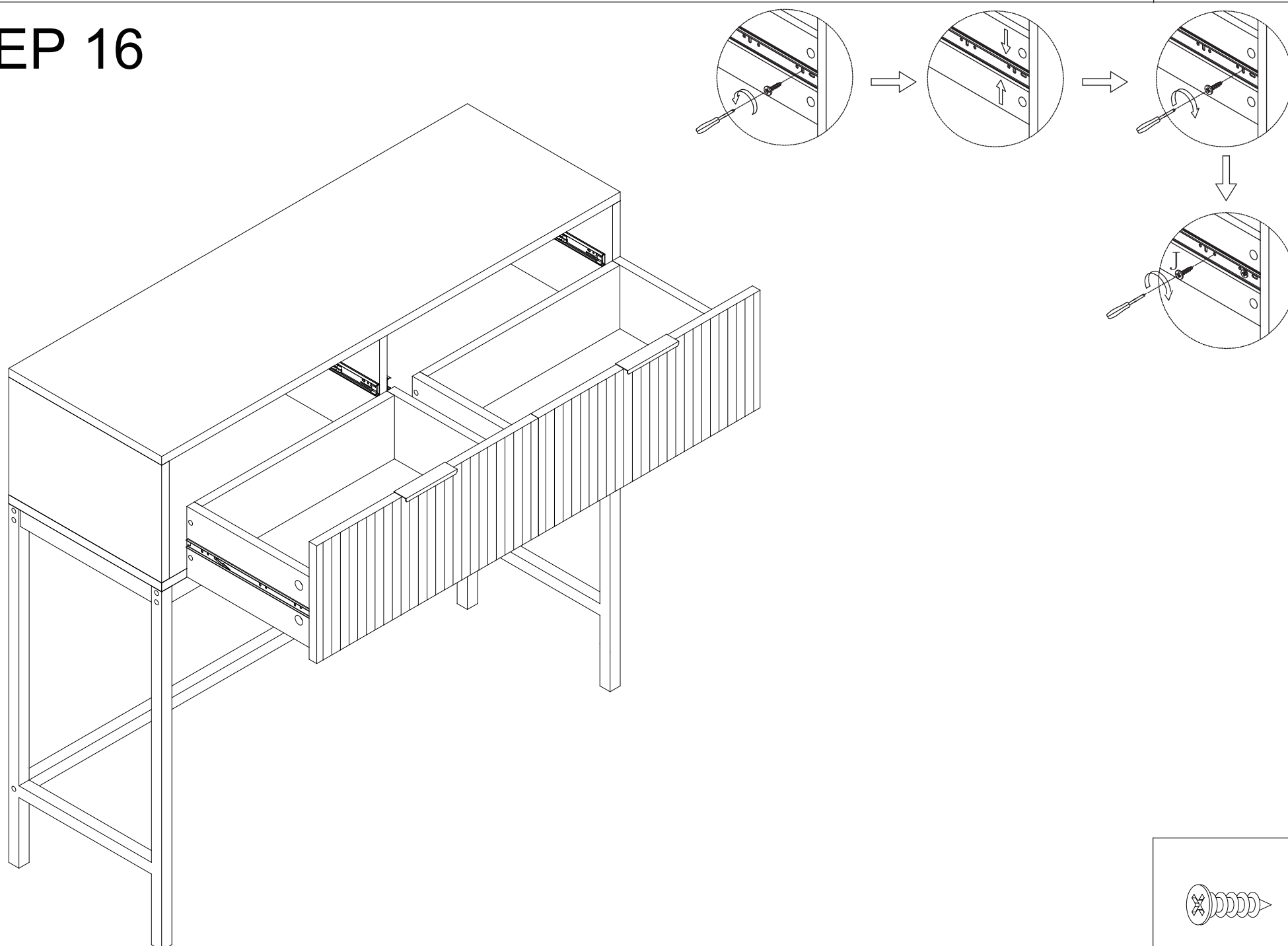
N x 1

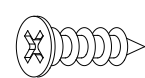
# STEP 15



  
J x 1

# STEP 16



  
J x 4