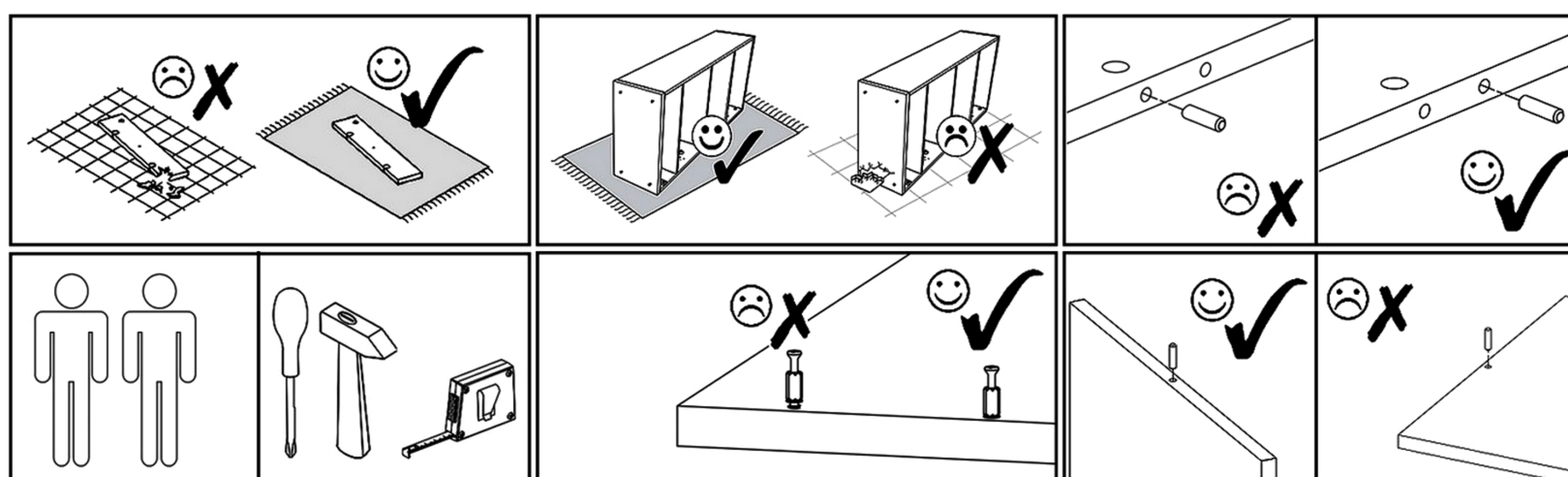
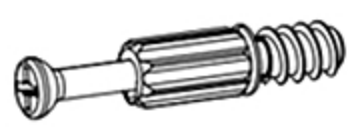
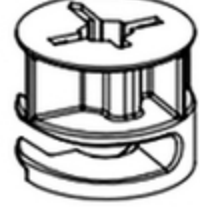
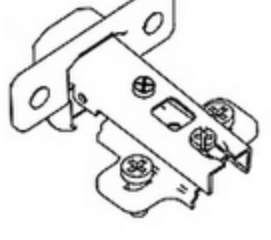



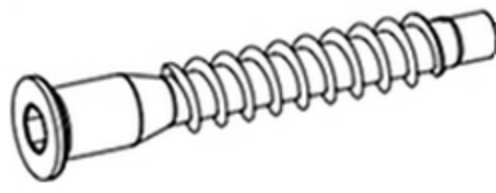
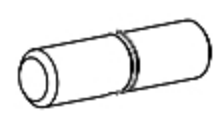
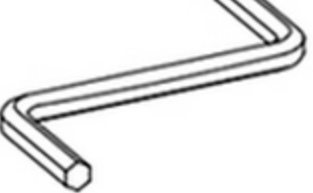
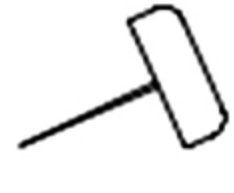

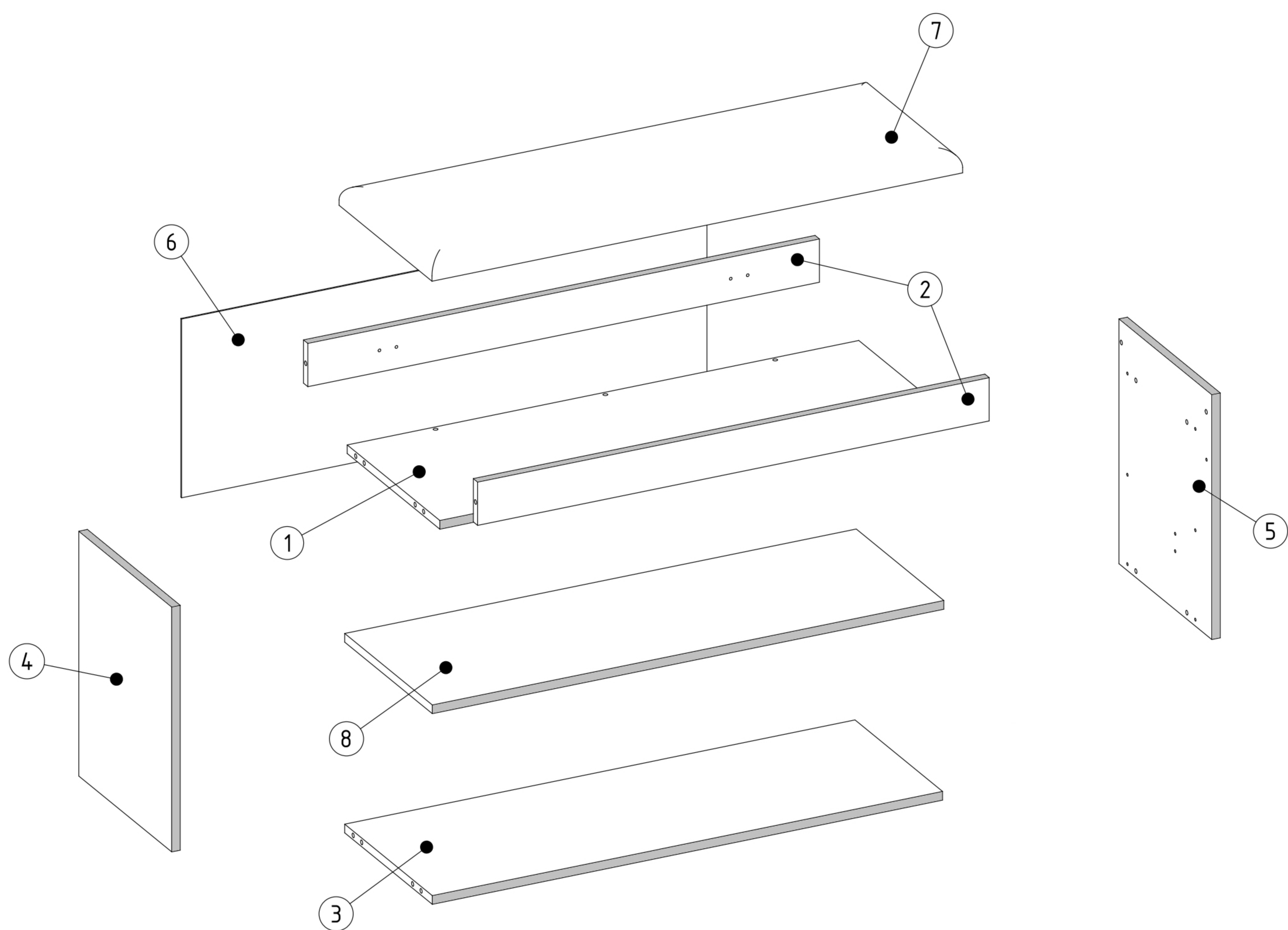


05/07/2022

PARMA 2P

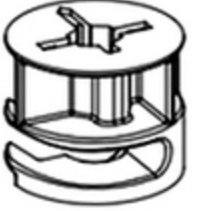
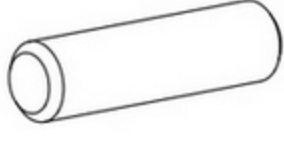


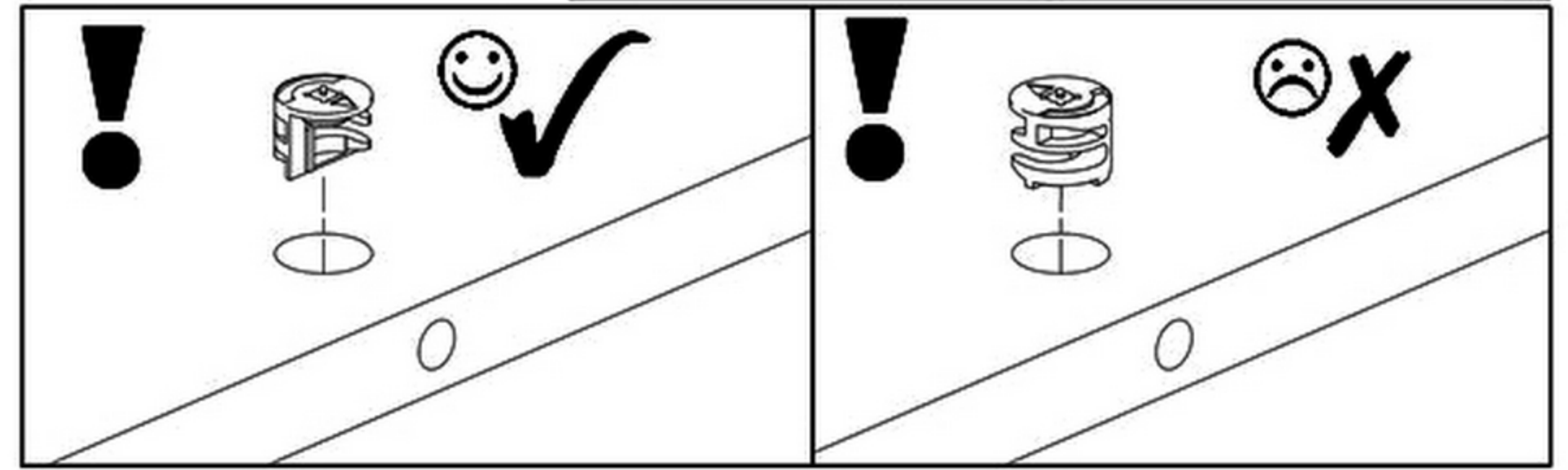
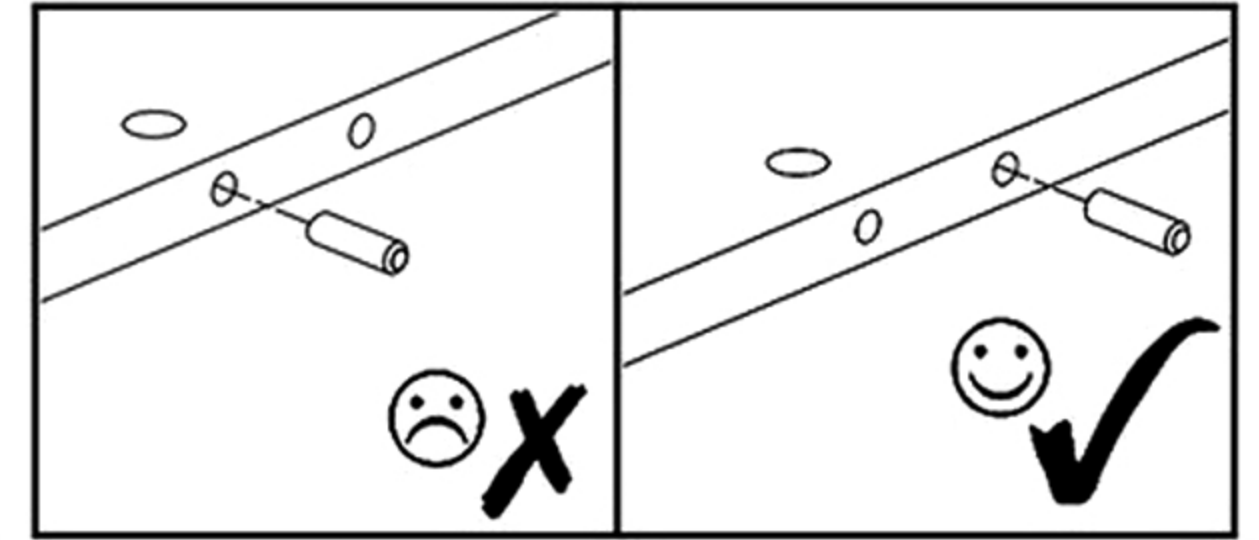
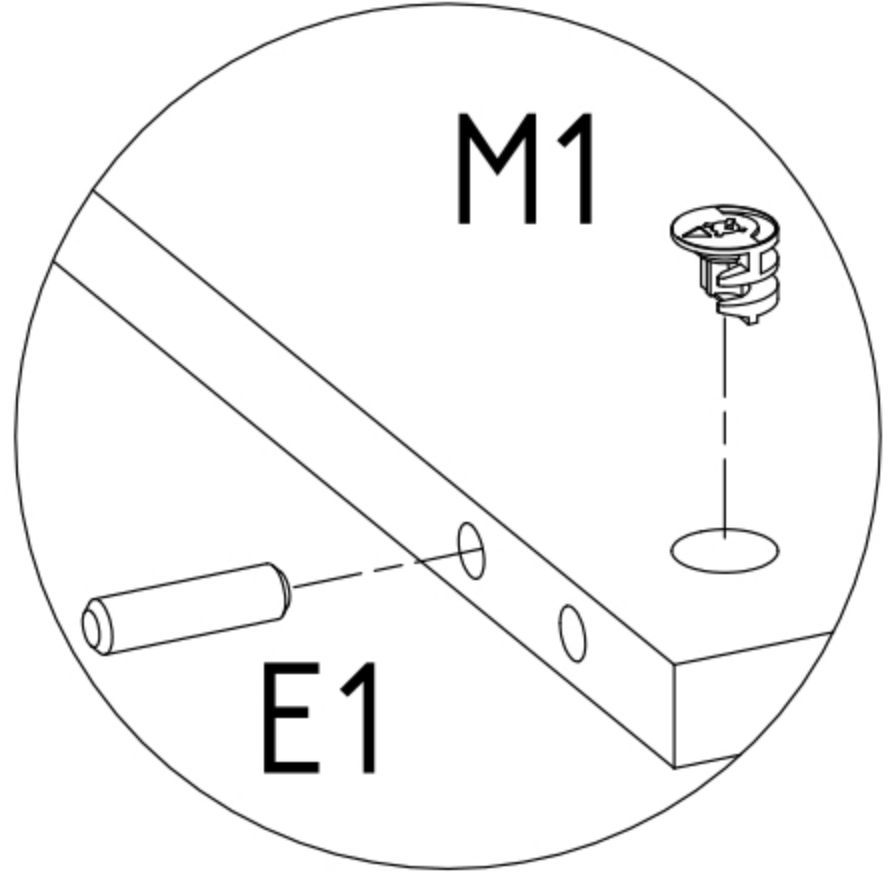
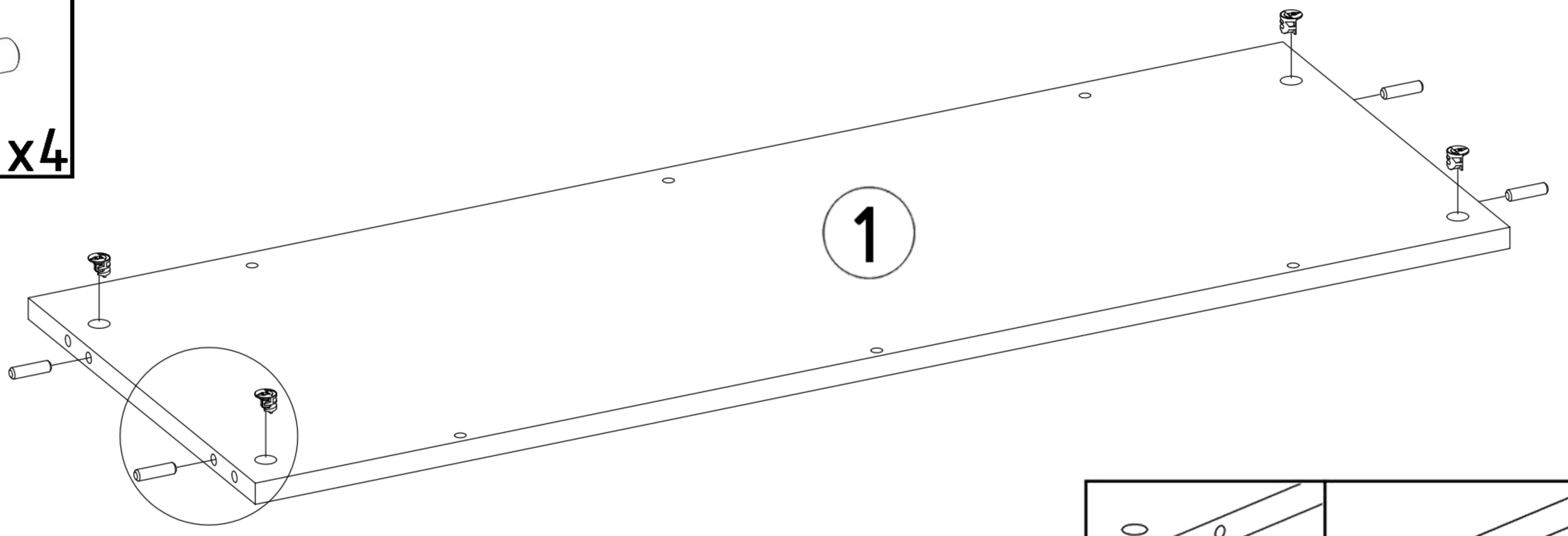
N1  L=35mm x8	M1  12x15mm x8	A1  ZP x2	S1  3,5x16mm x4	E1  8x30mm x12	
Z1  x40	F1  7x50mm x6	K7  5x16mm x6	F3  x1	T1  x4	F2  12mm x6




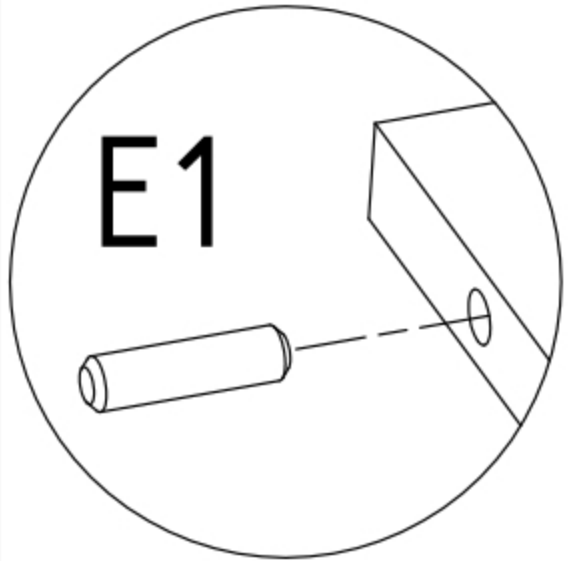
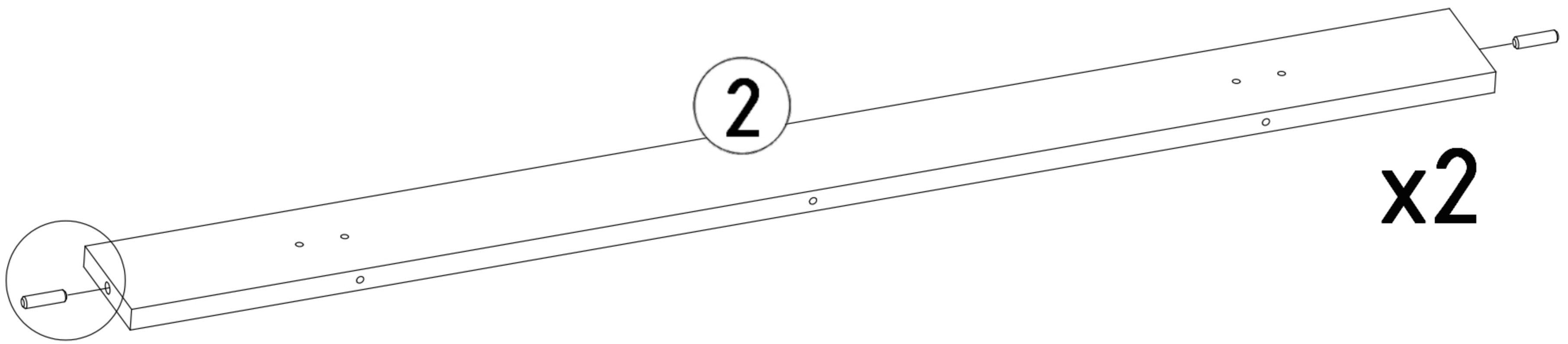
1	x	1
2	x	2
3	x	1
4	x	1
5	x	1

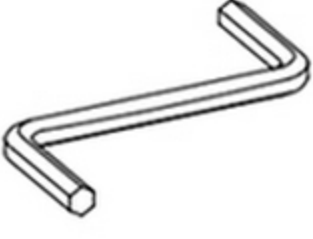
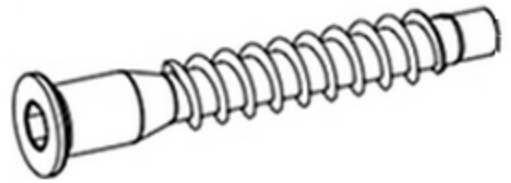
6	x	1
7	x	1
8	x	1

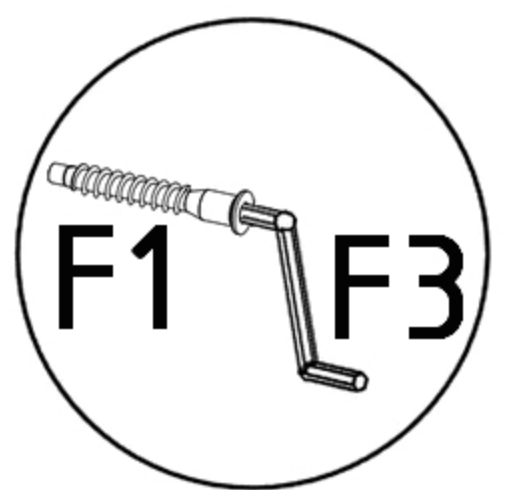
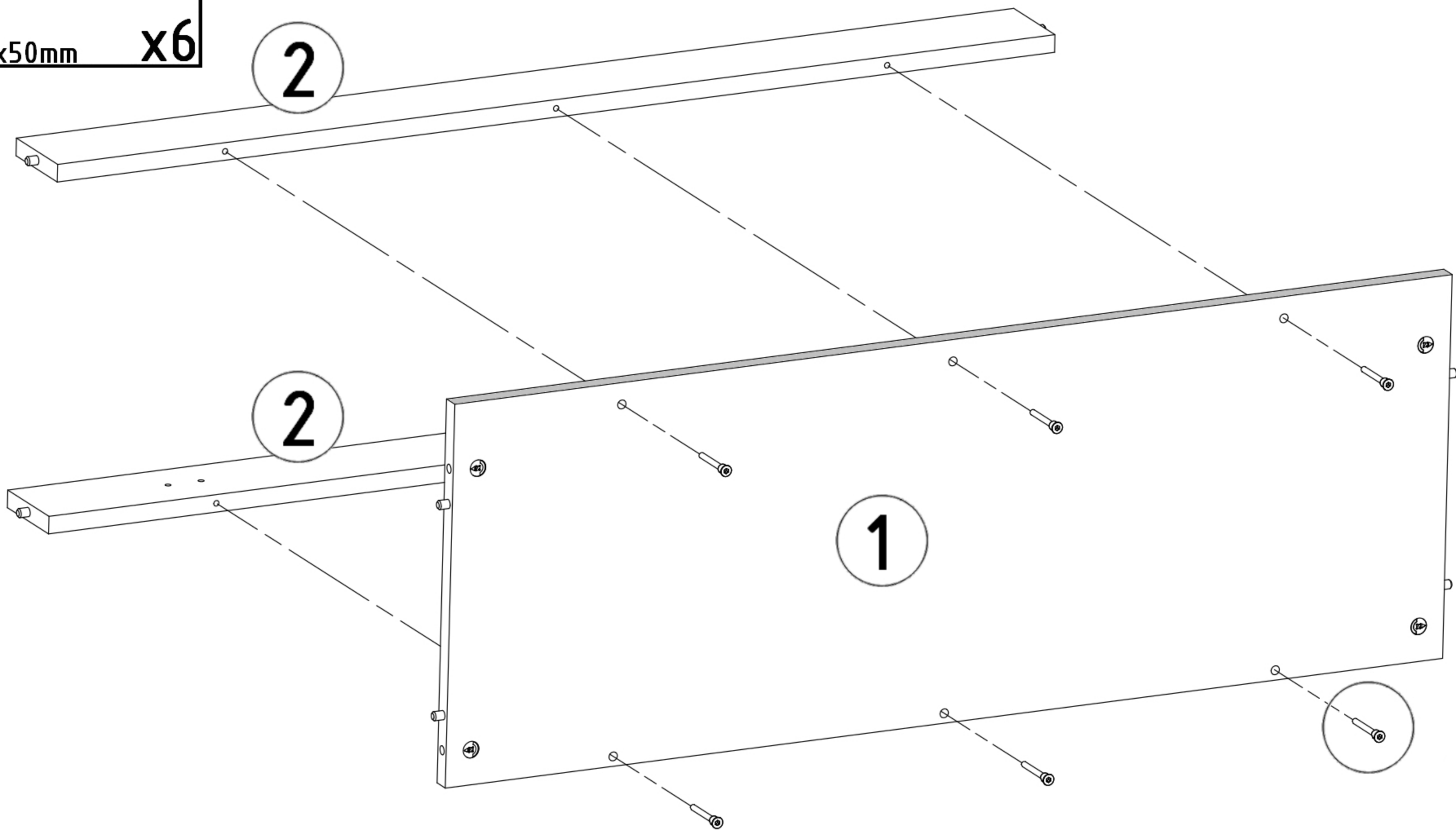
M1  12x15mm X4	E1  8x30mm X4
---	--

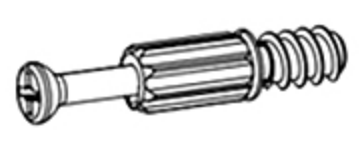
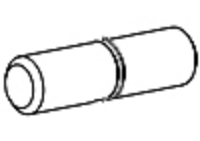
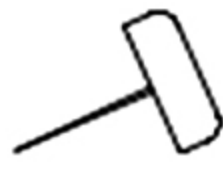


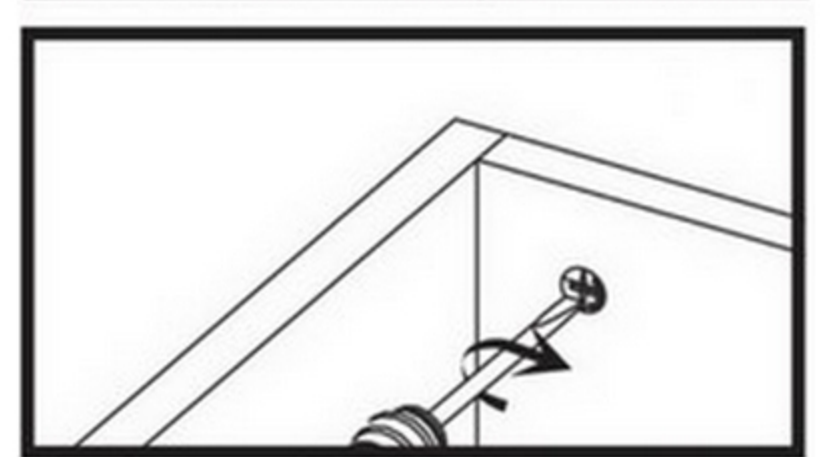
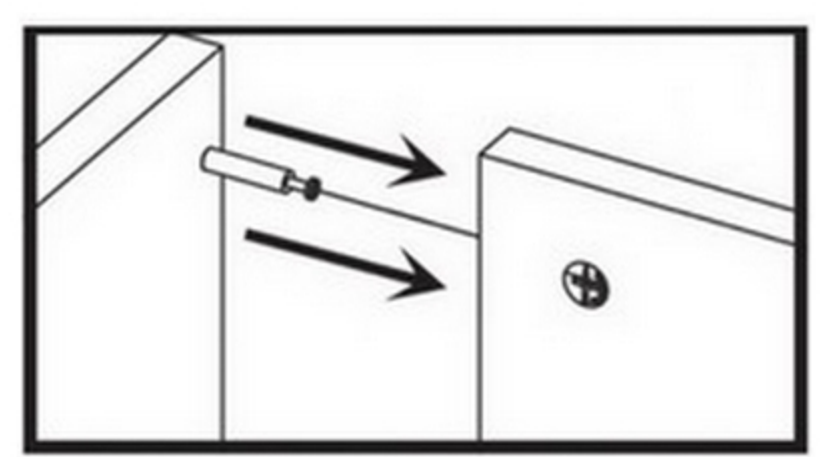
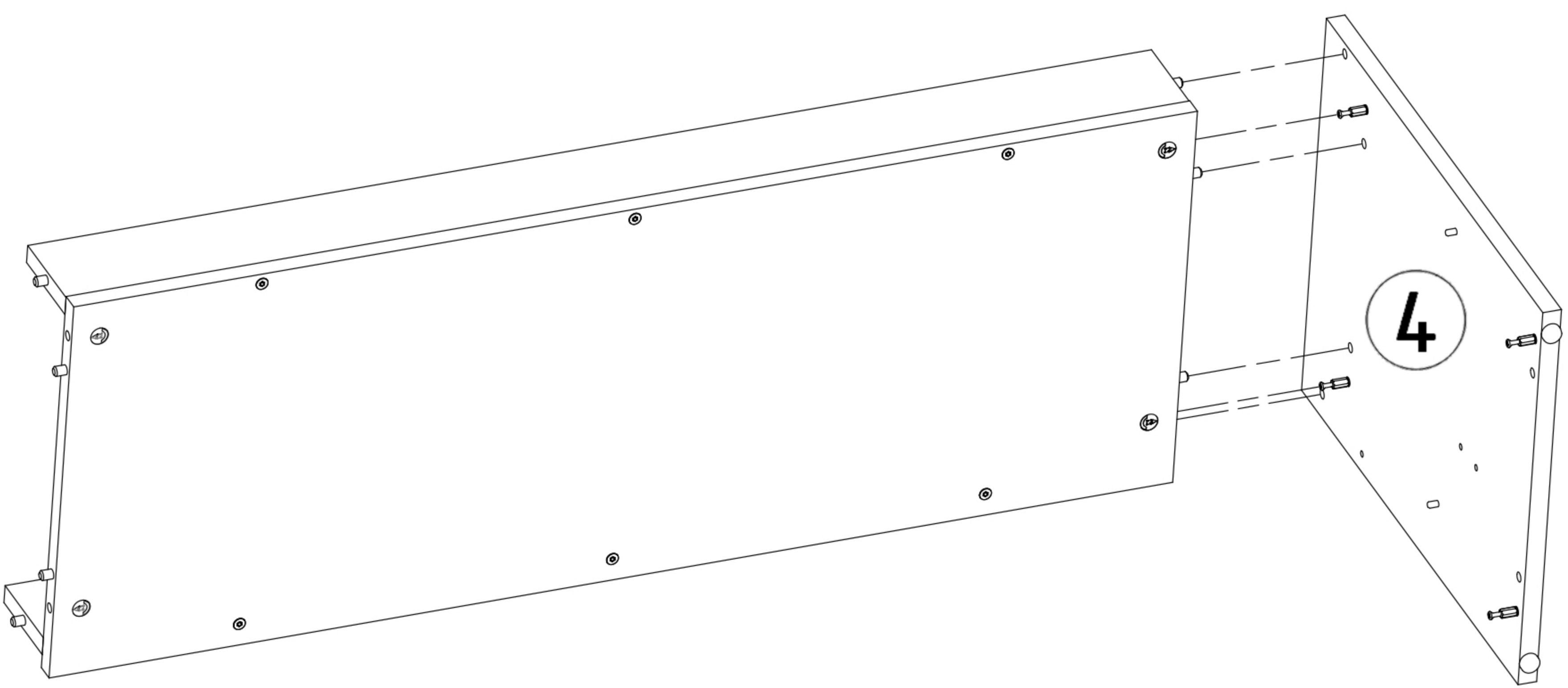
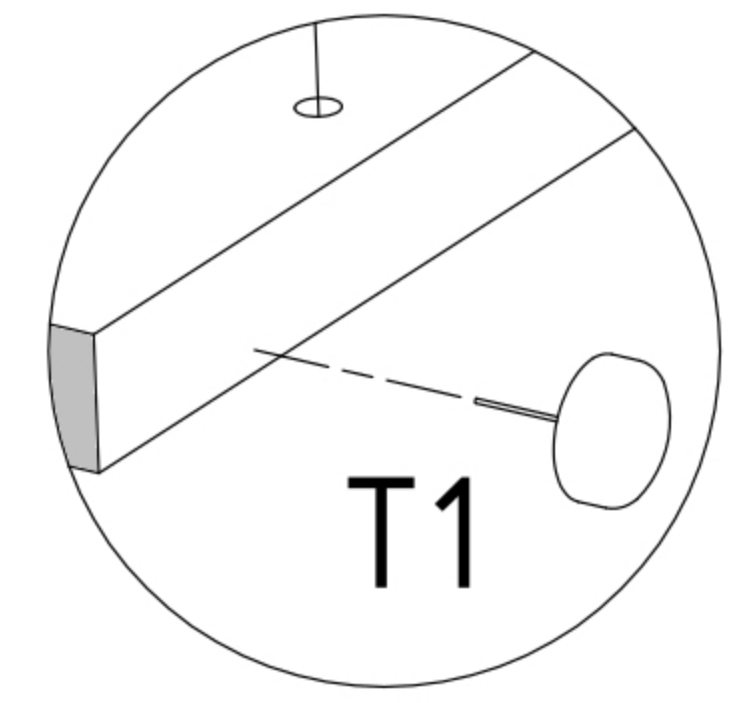
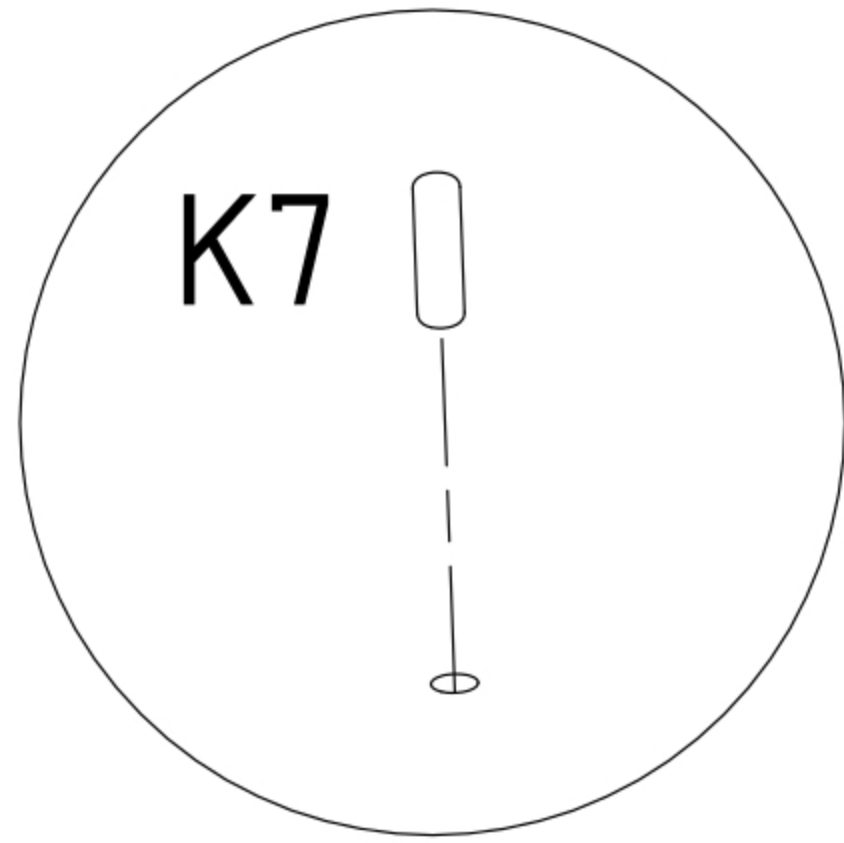
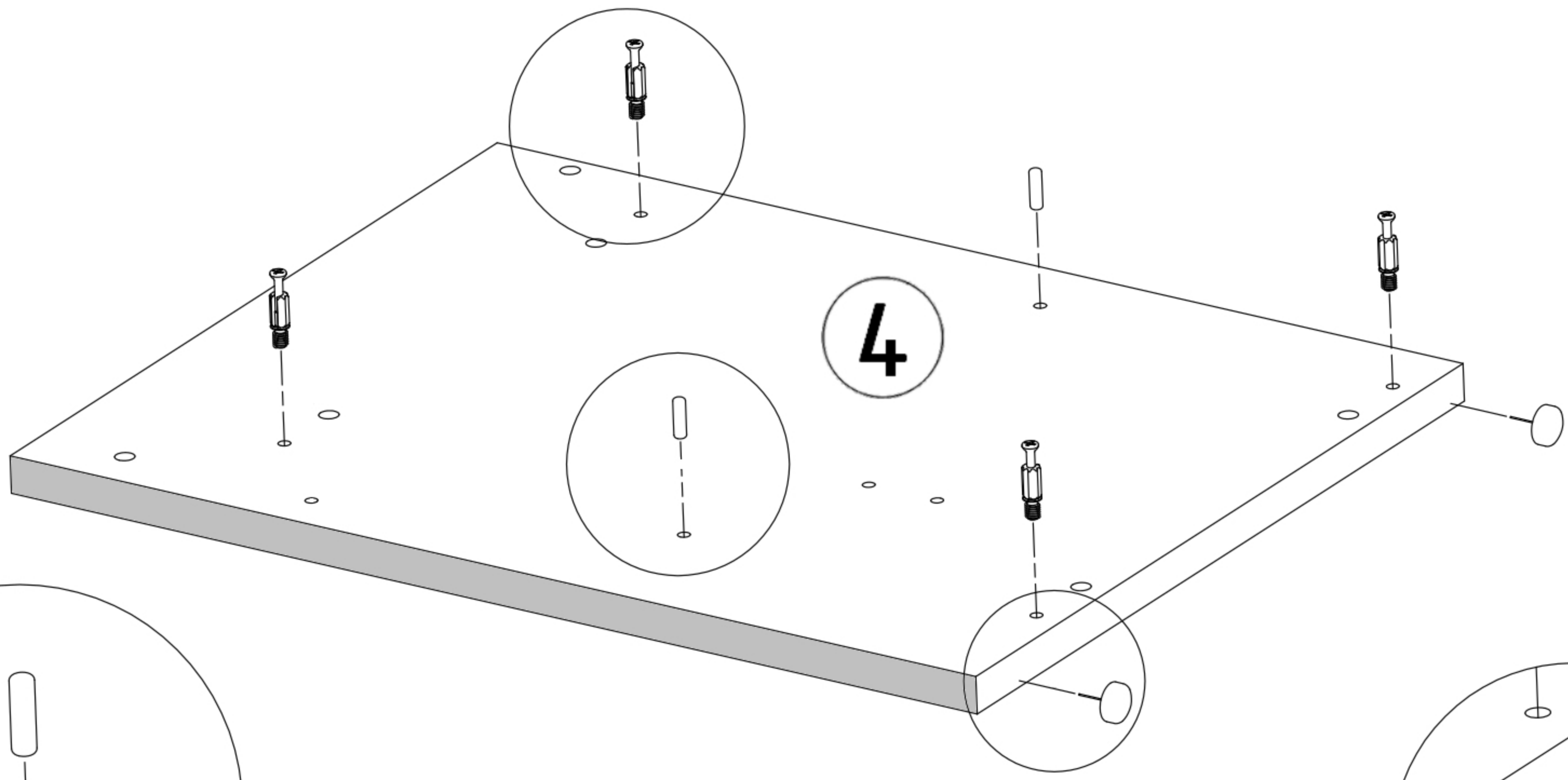
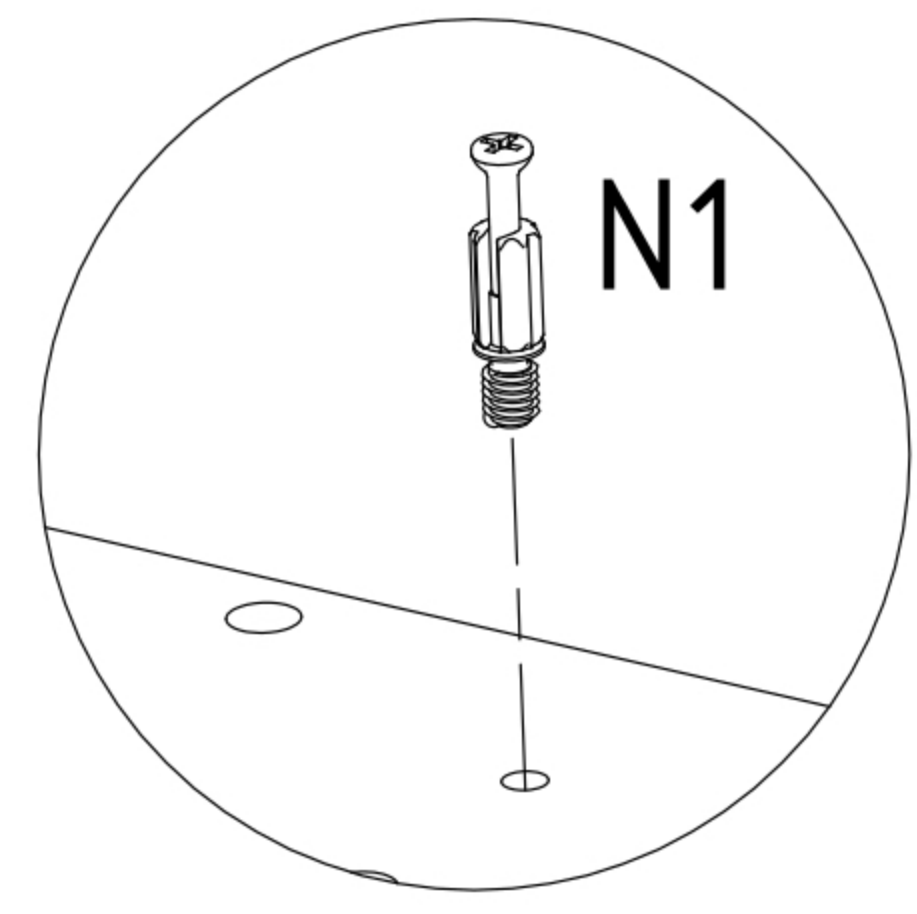
E1  8x30mm X4

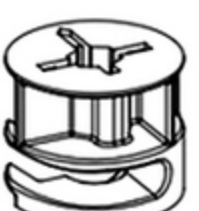
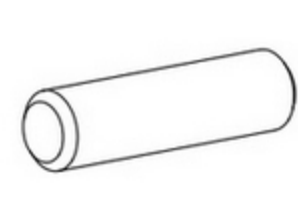


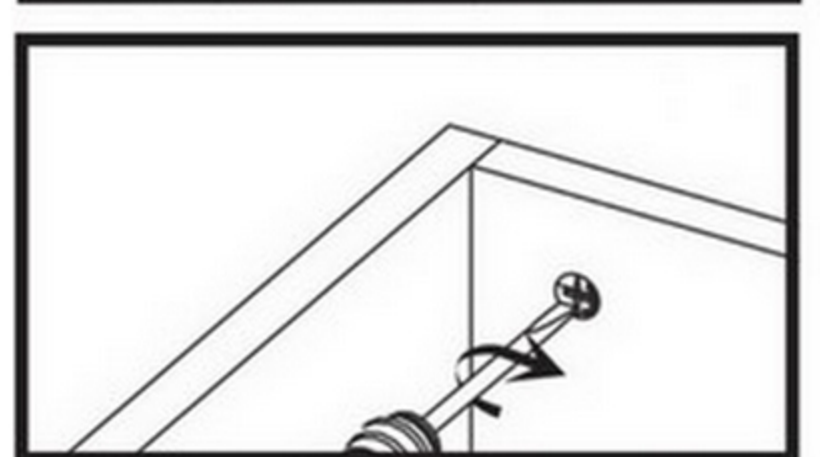
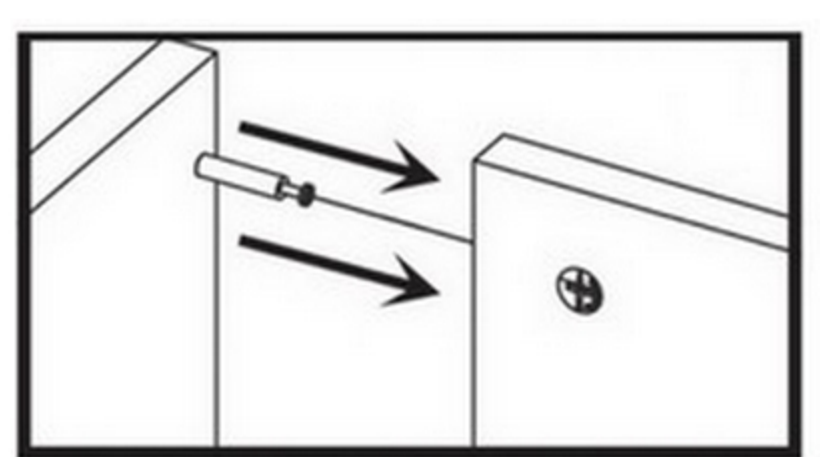
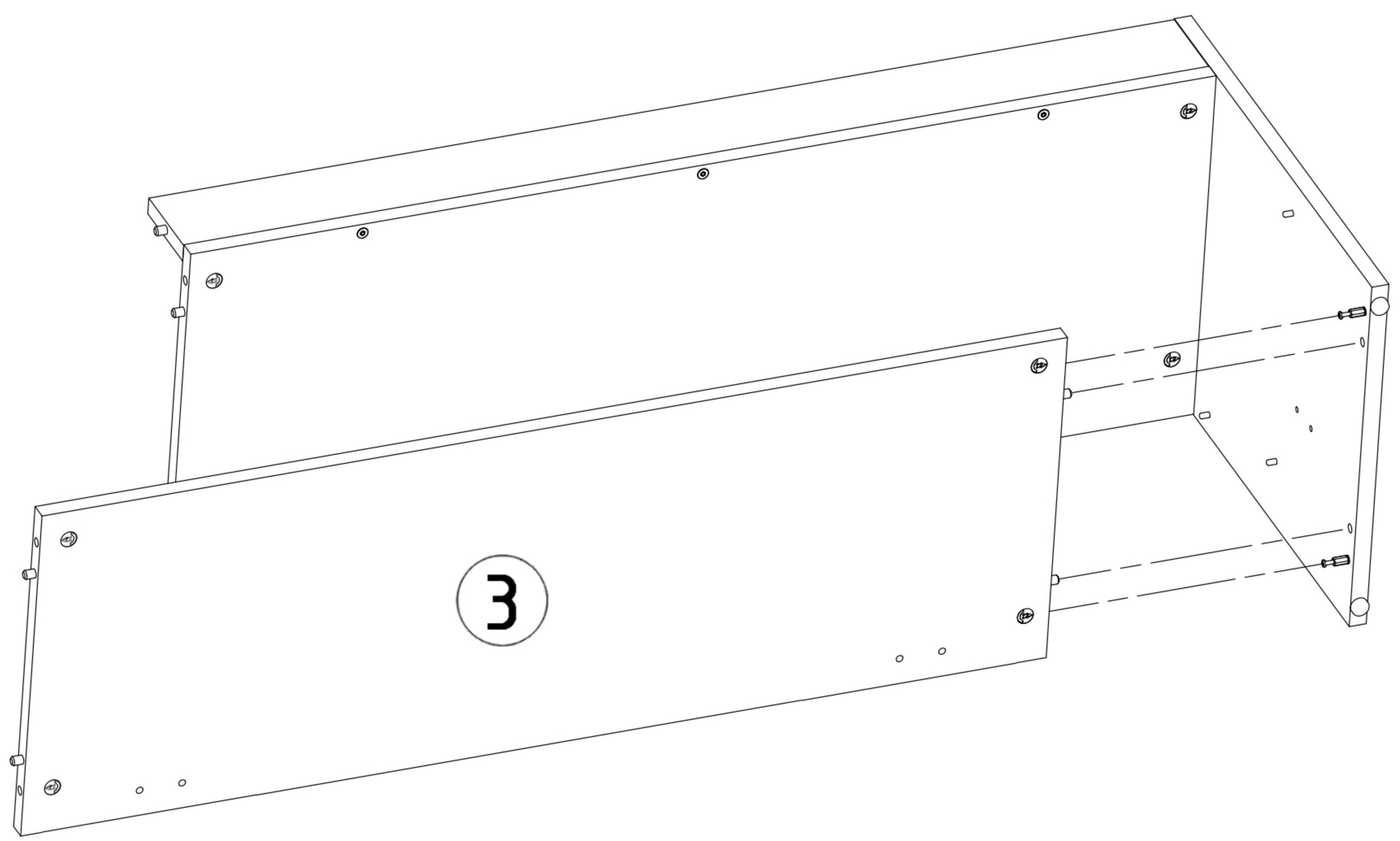
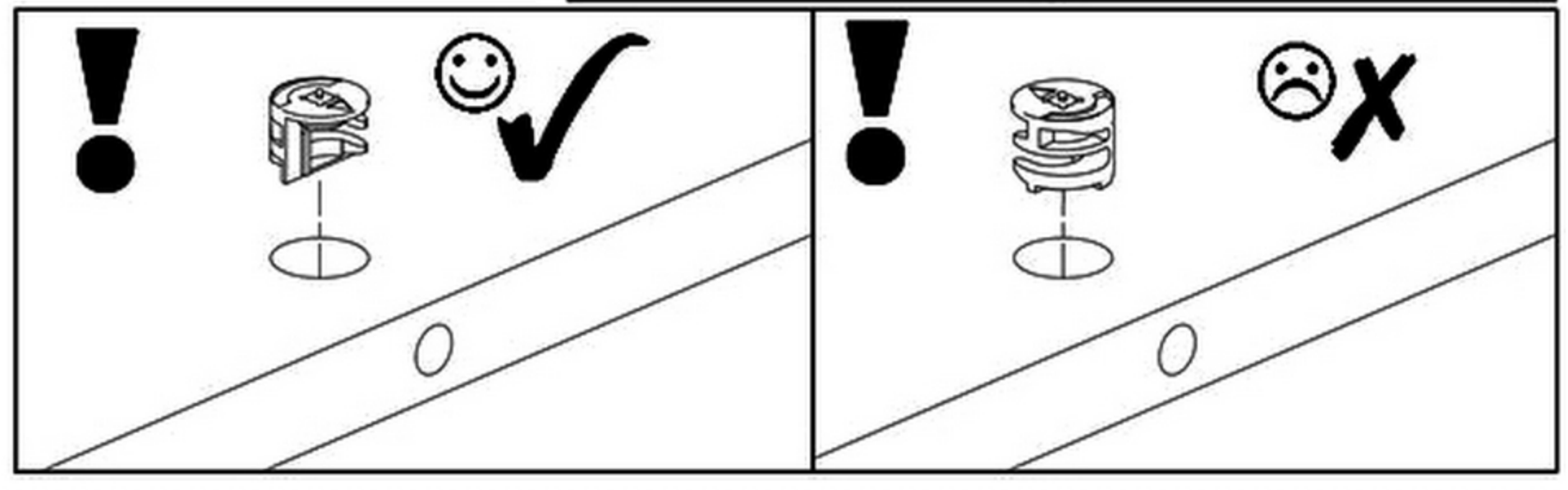
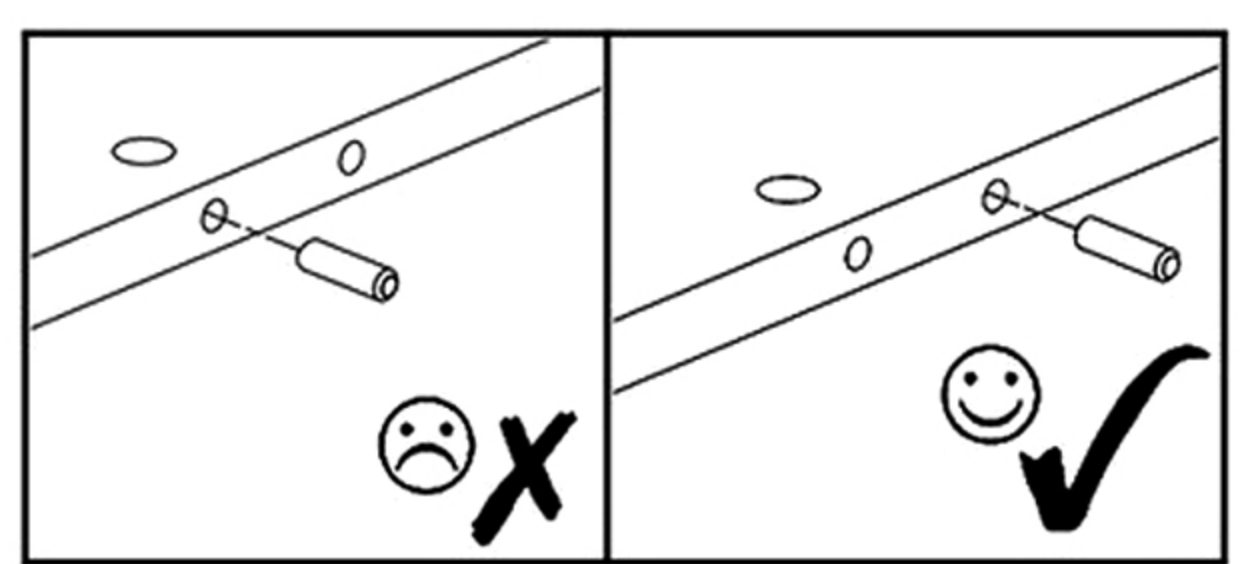
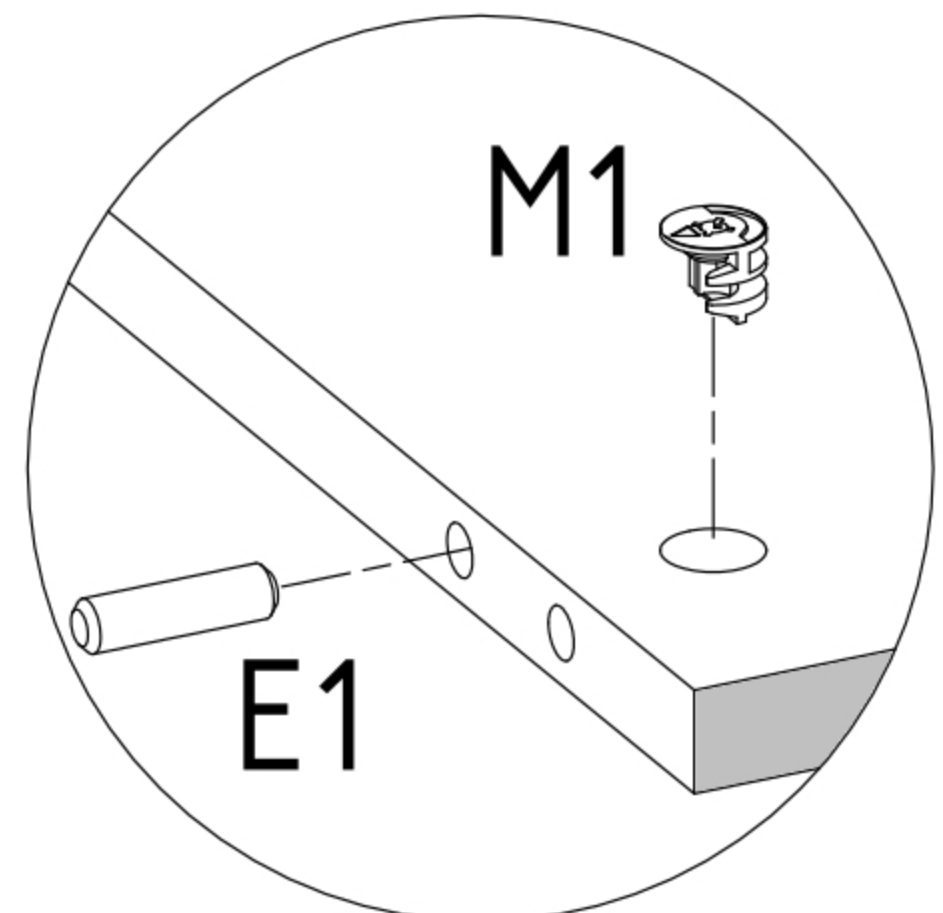
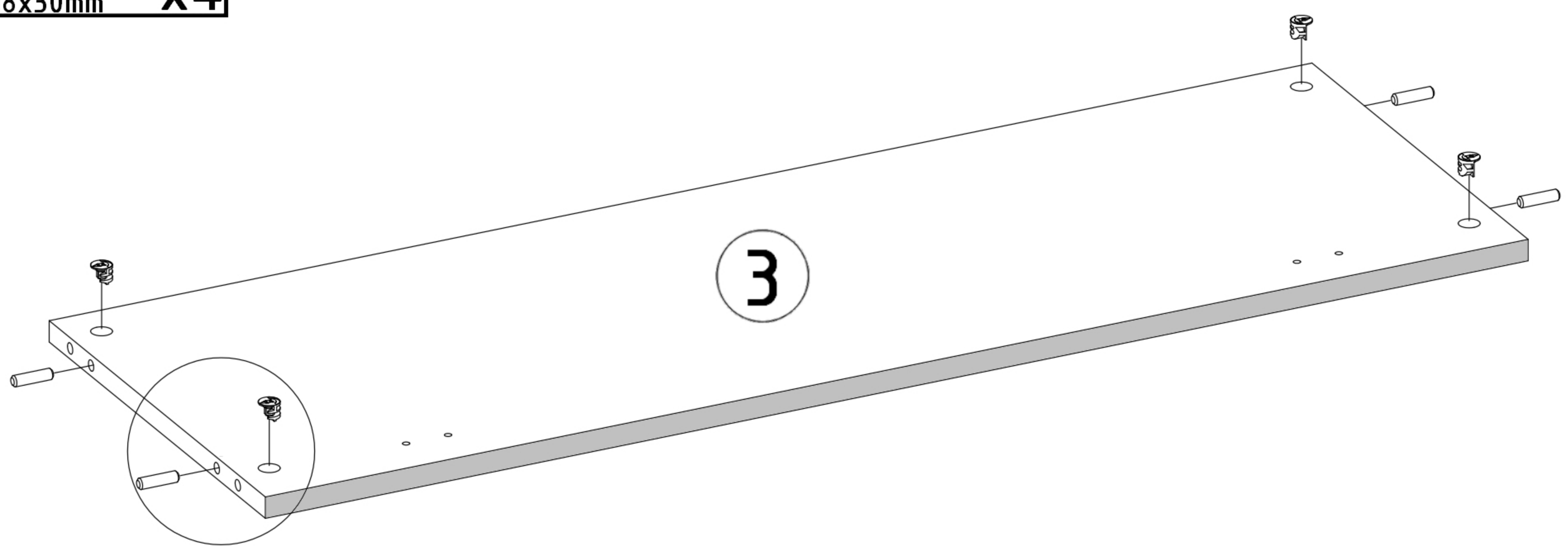
F3  X1	F1  7x50mm X6
--	--

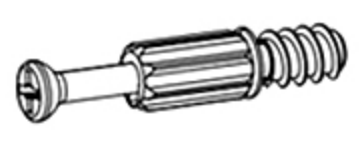
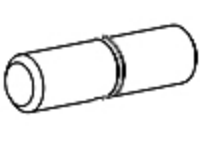
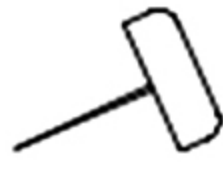


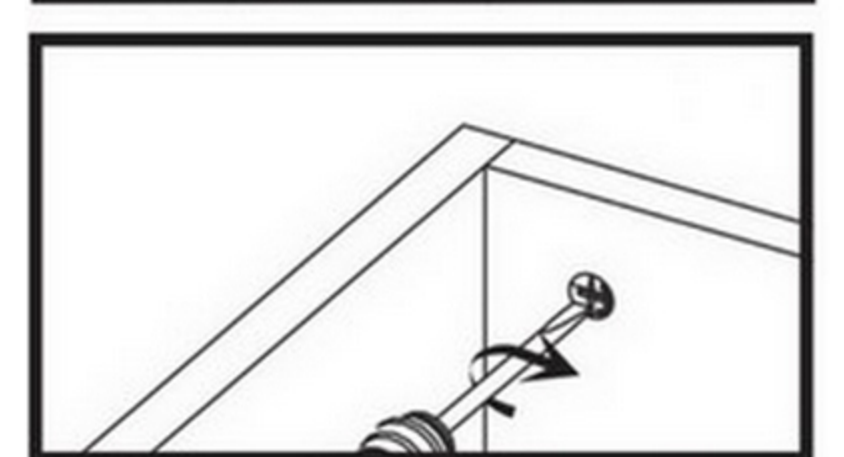
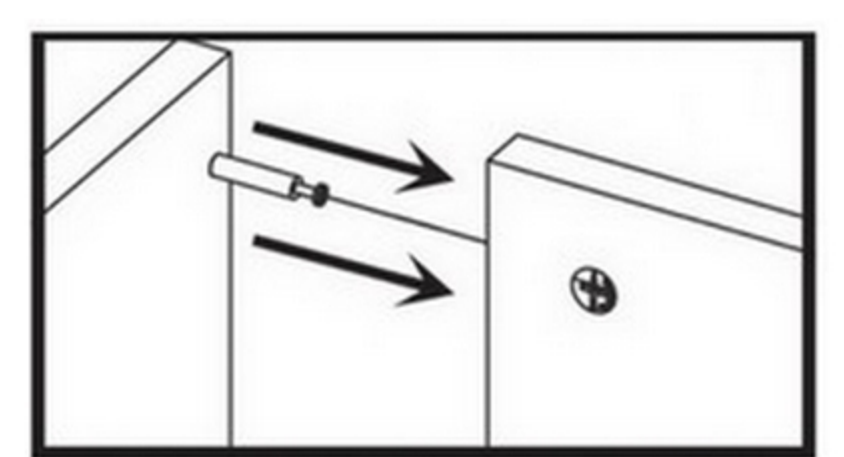
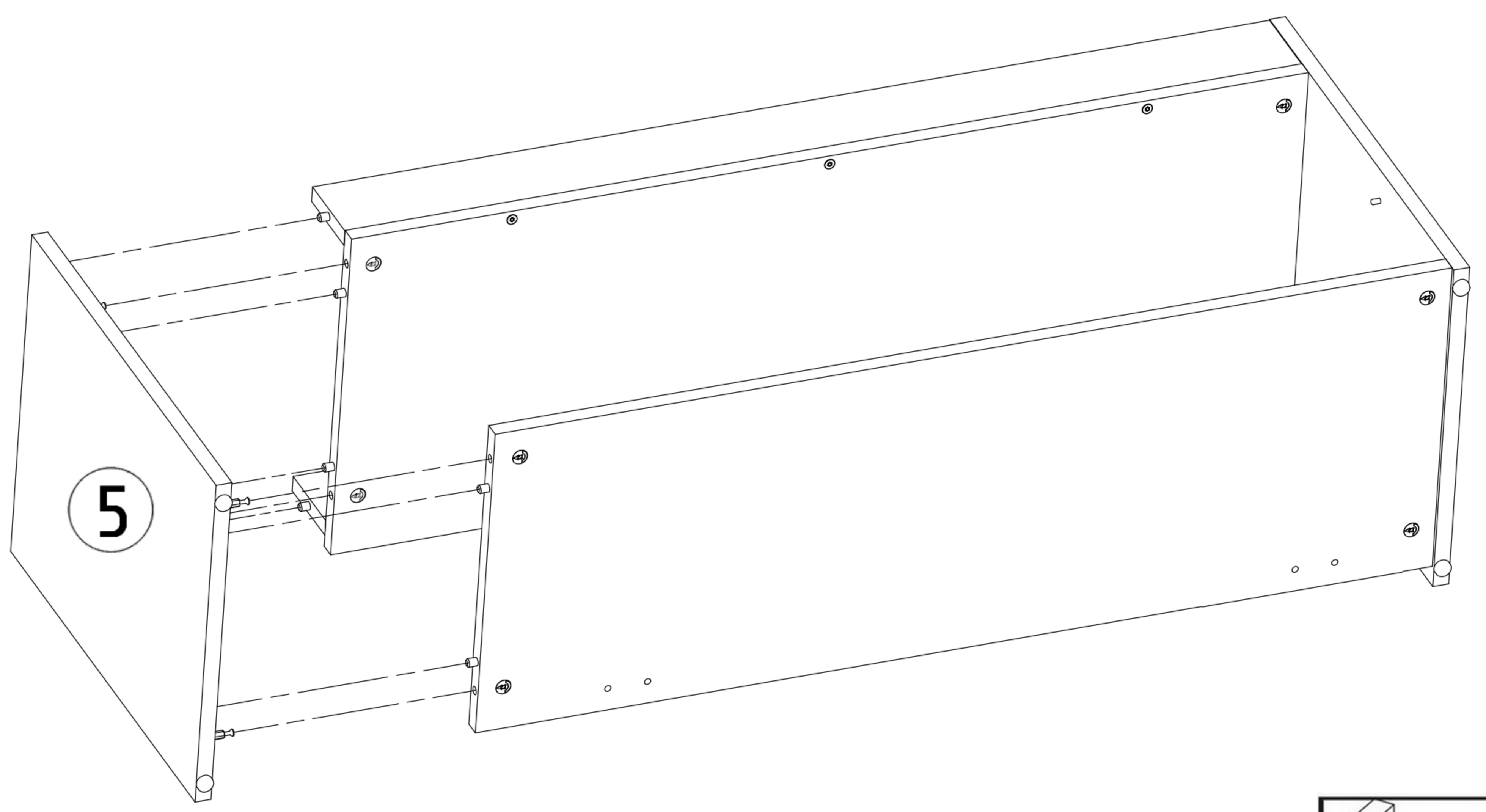
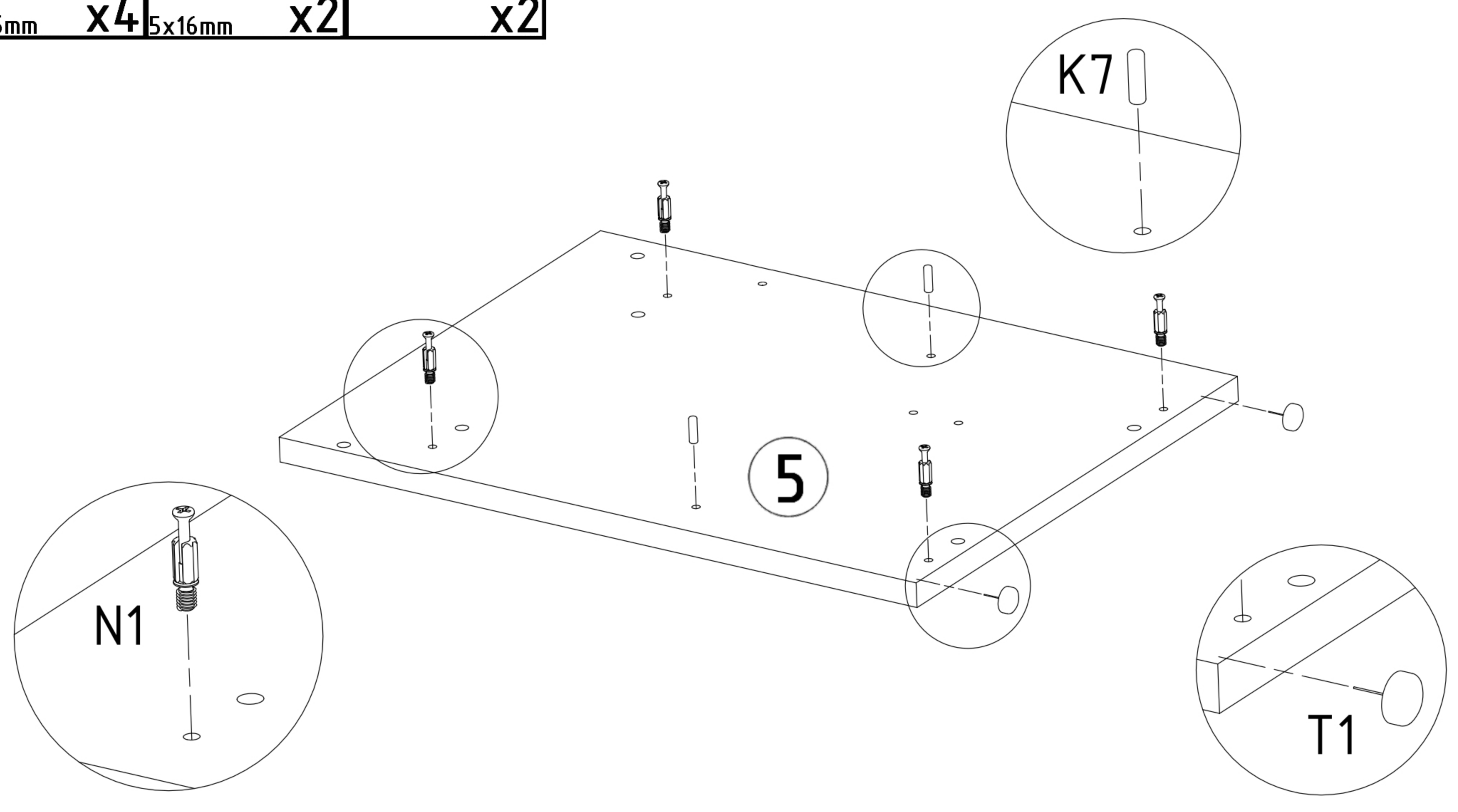
N1  L=35mm x4	K7  5x16mm x2	T1  x2
---	--	---

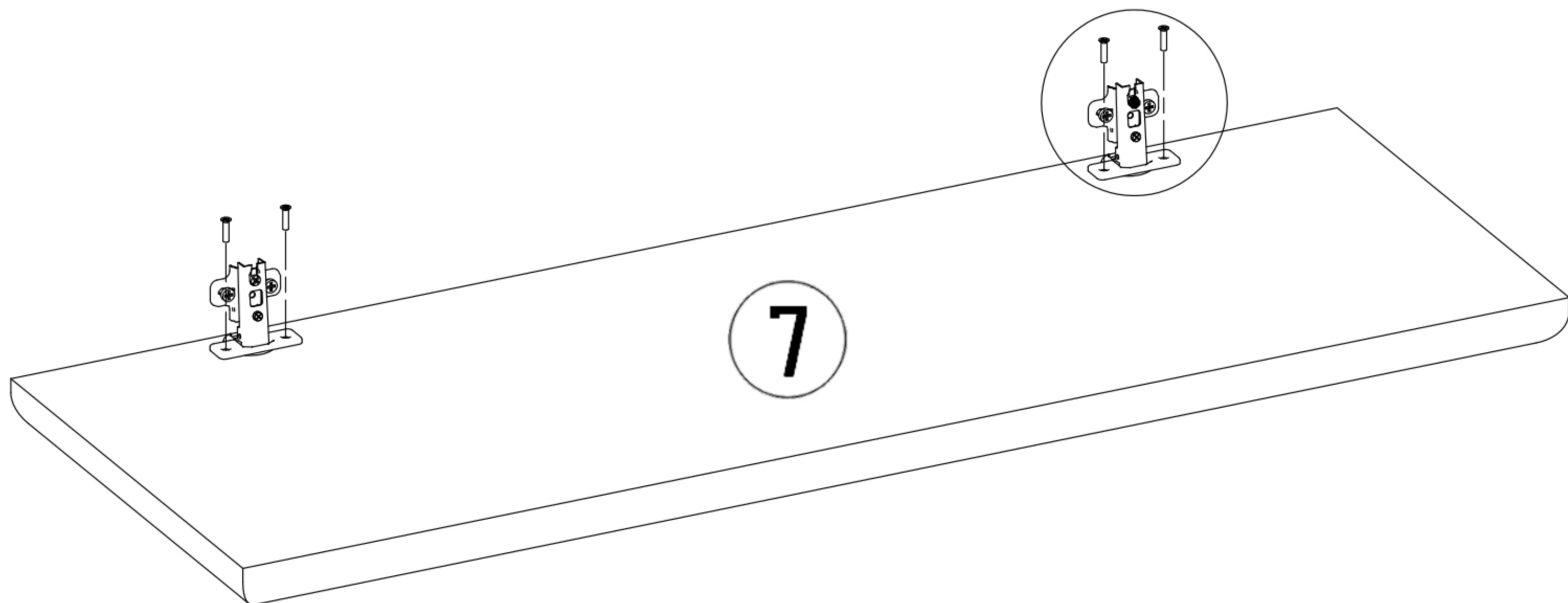
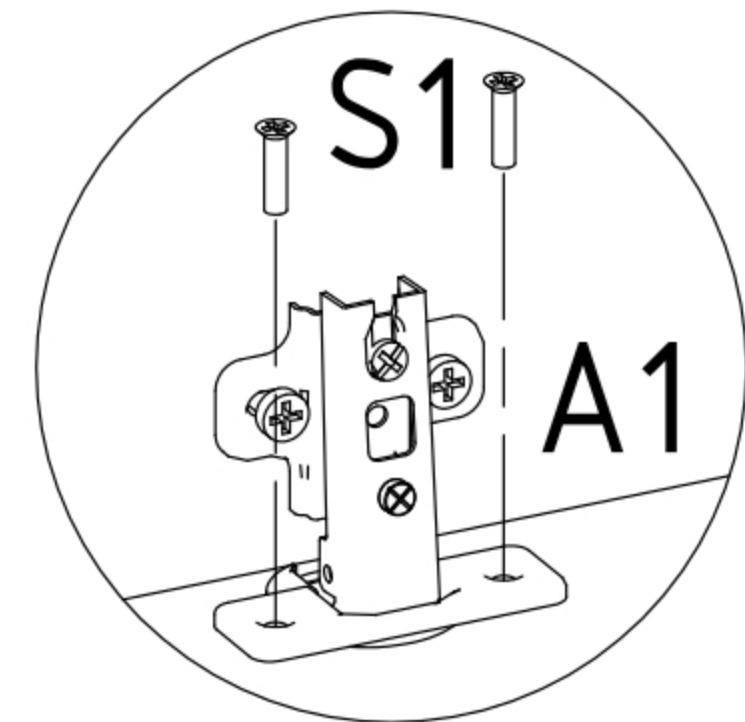
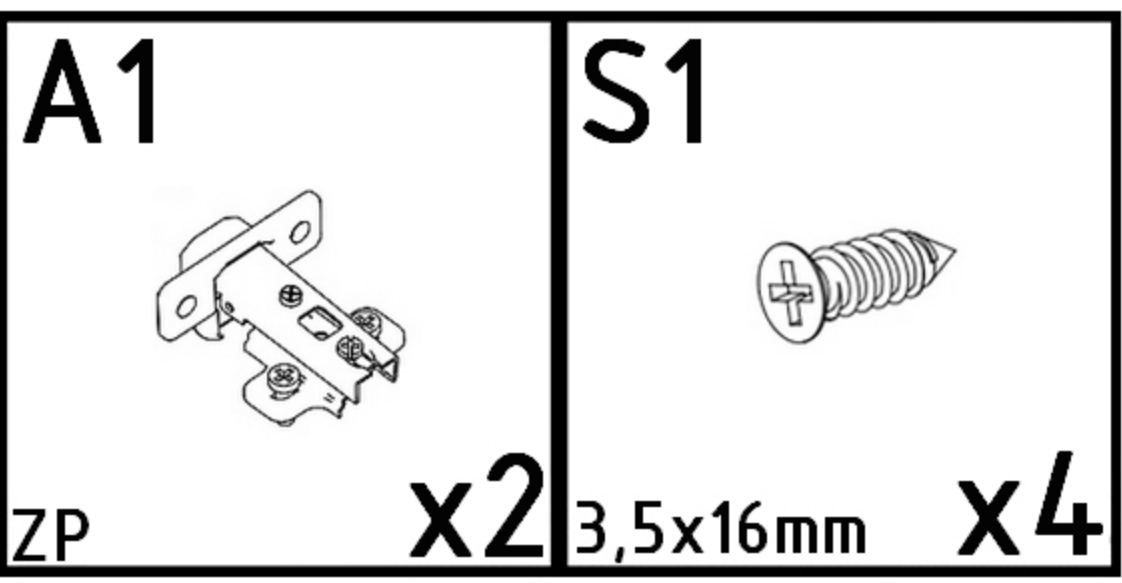
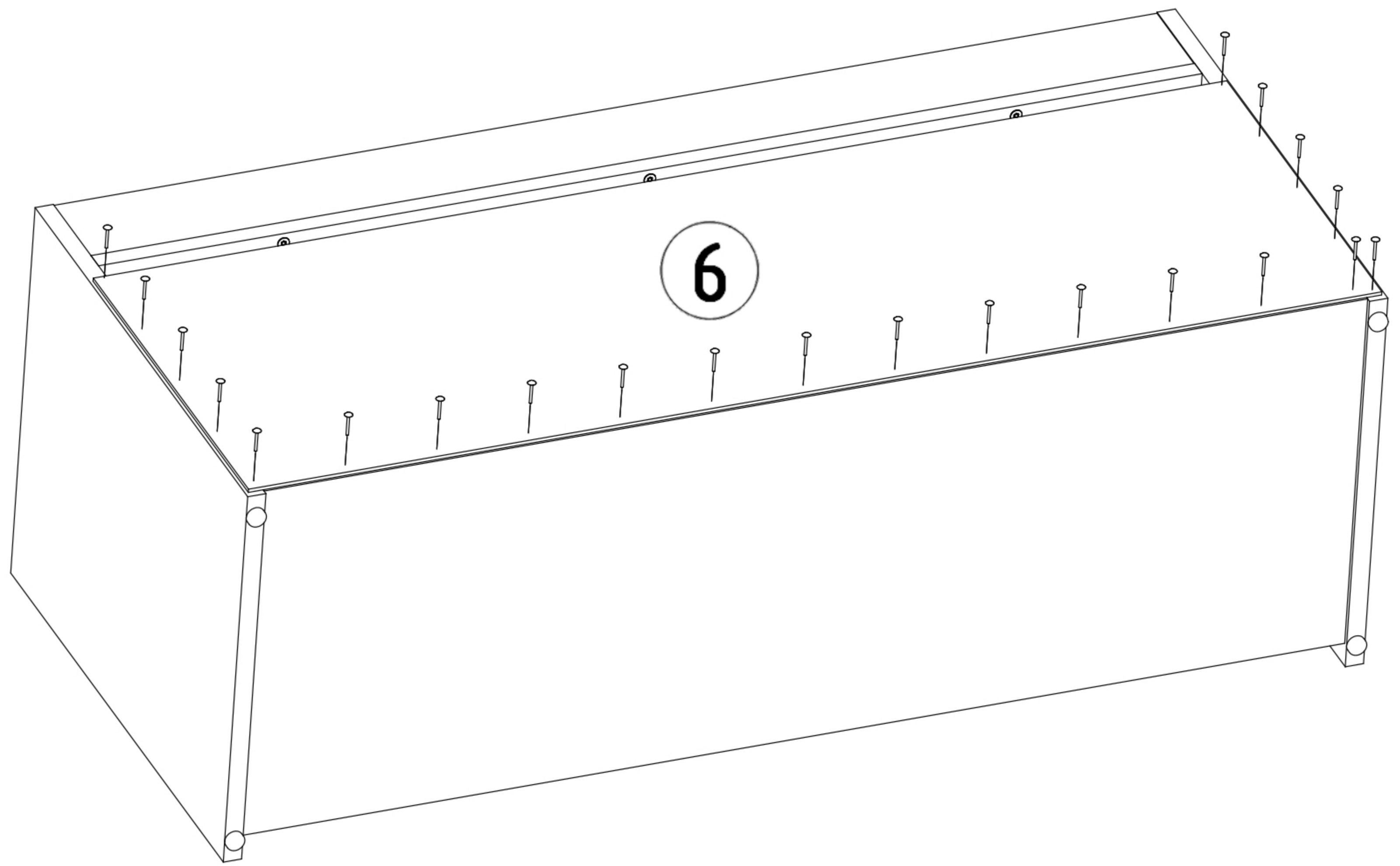
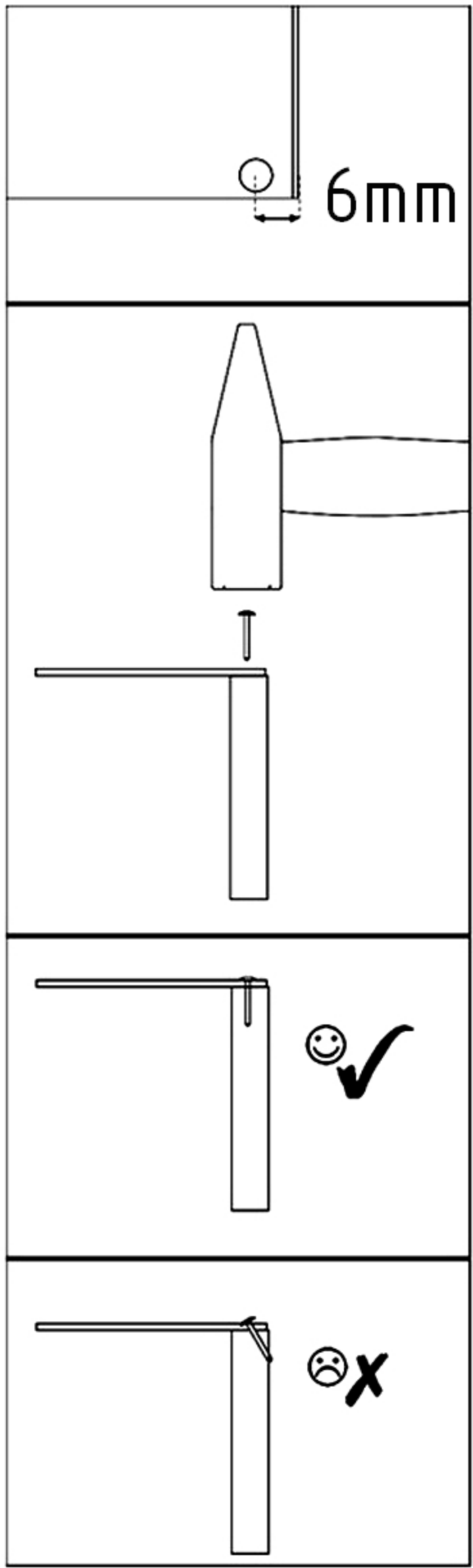
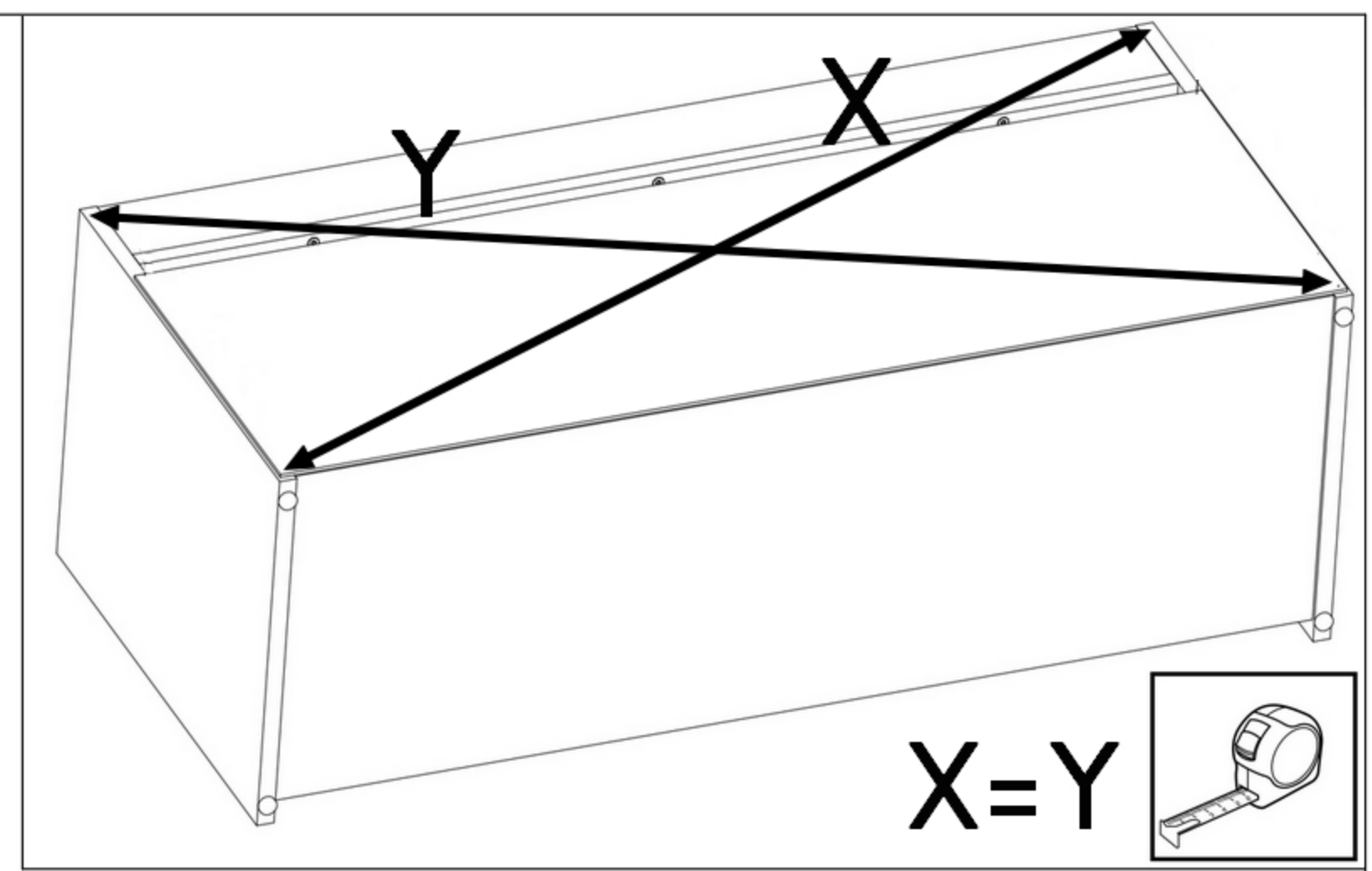
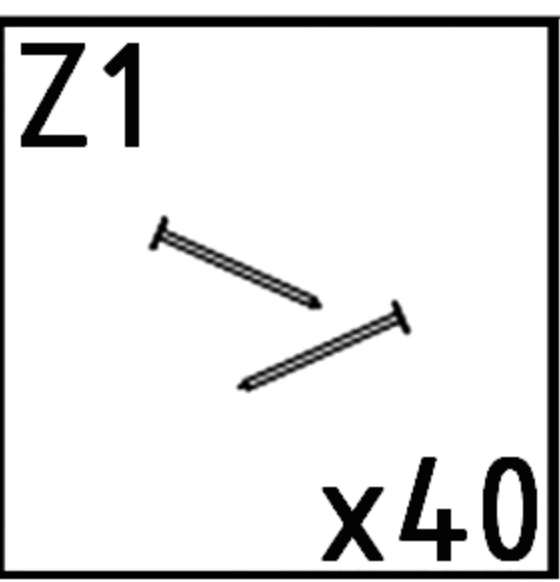


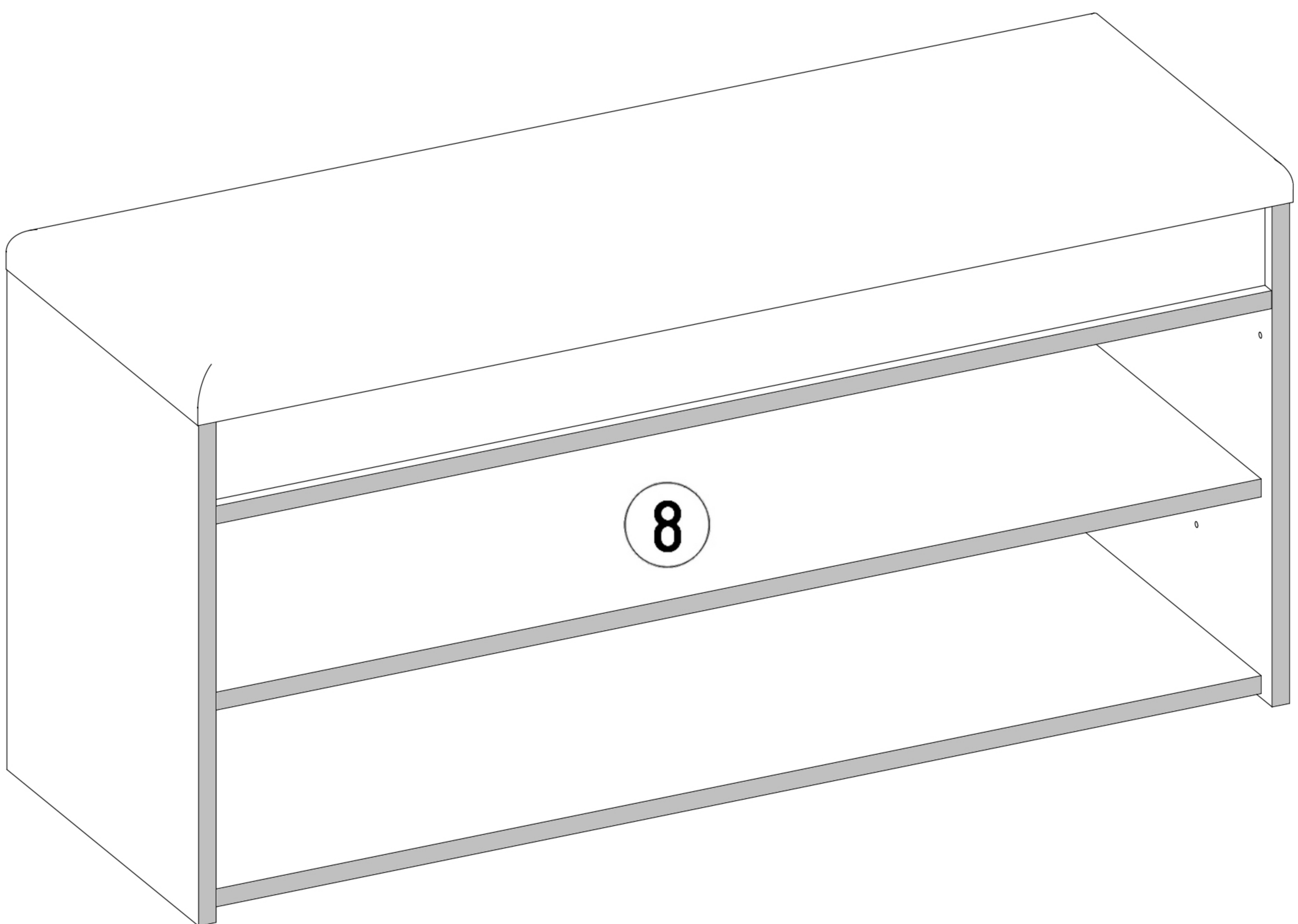
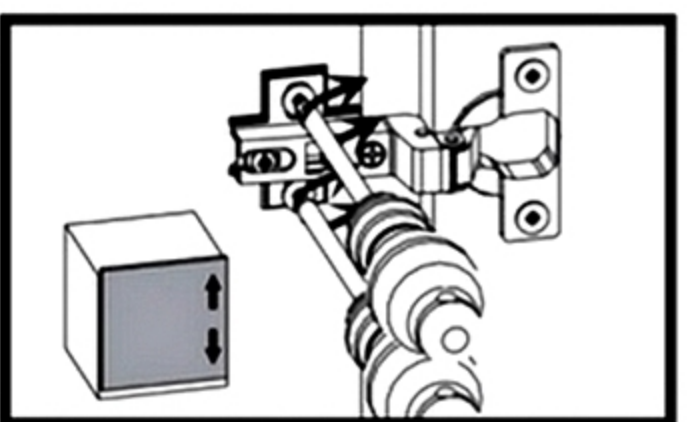
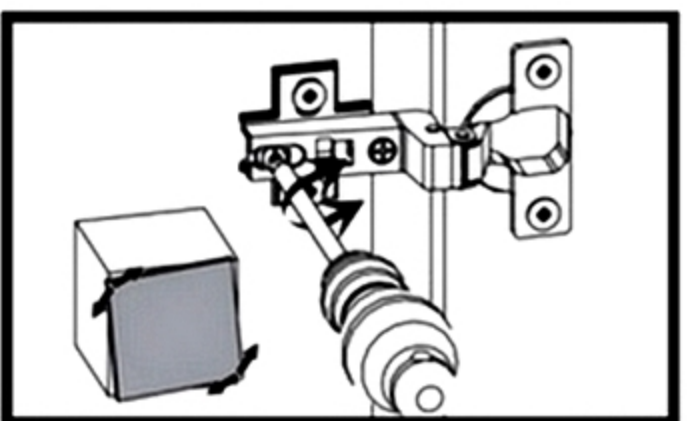
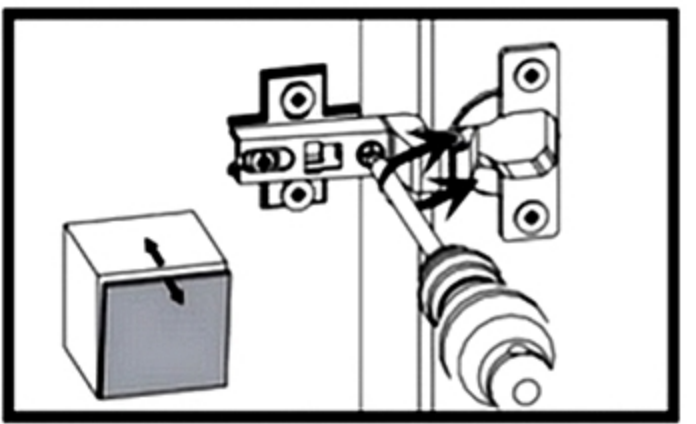
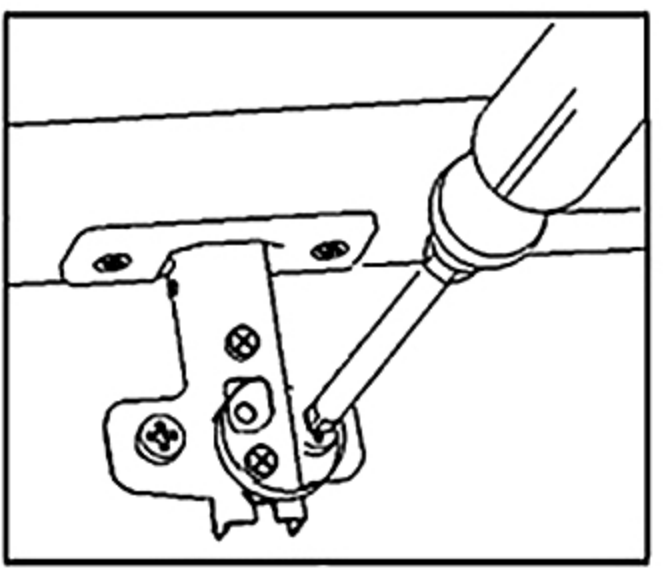
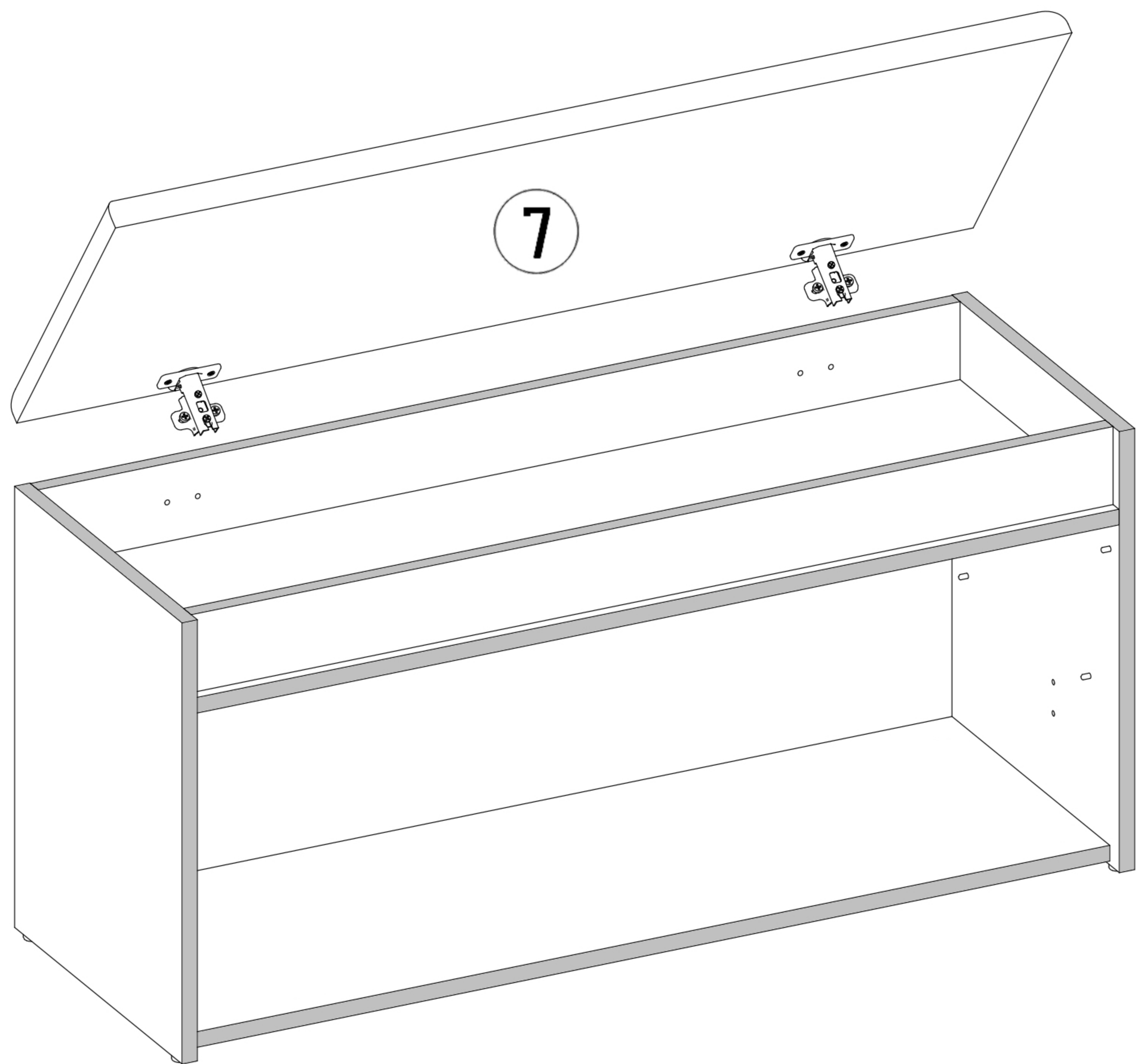
M1  12x15mm X4	E1  8x30mm X4
---	--



N1  L=35mm x4	K7  5x16mm x2	T1  x2
---	--	---







F2 x12



12mm

x6

