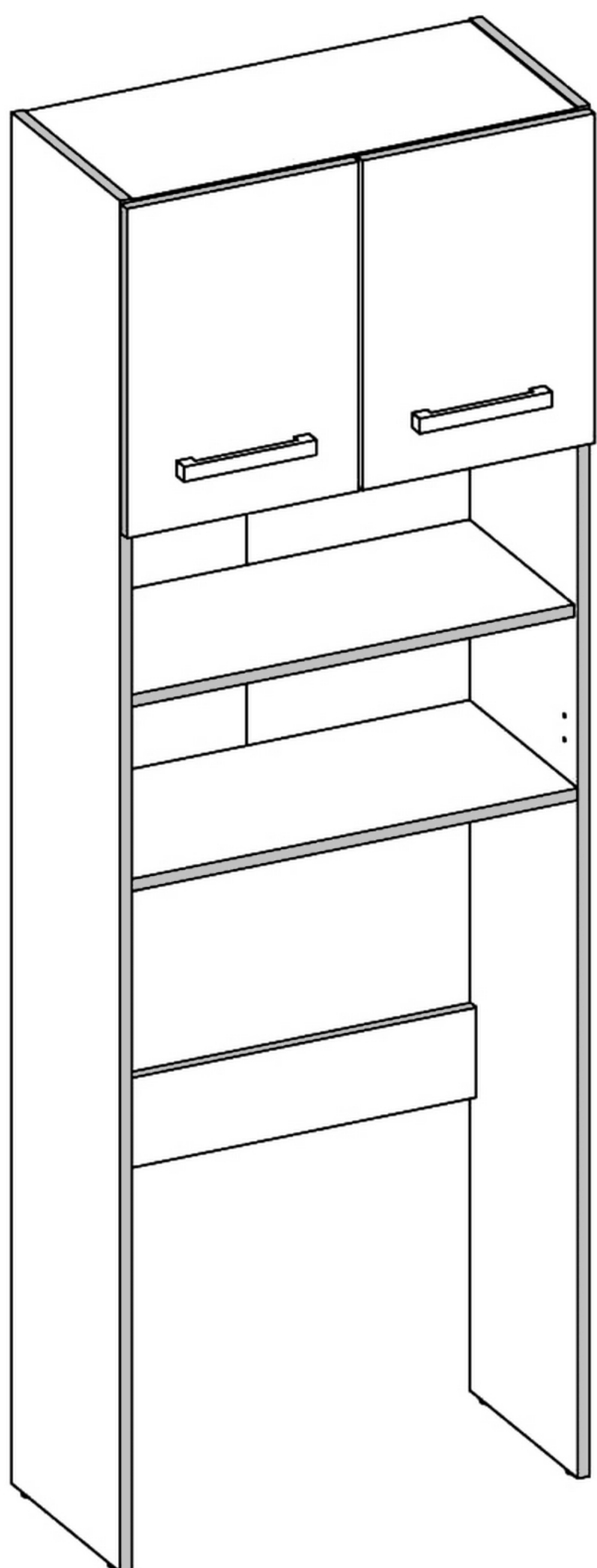


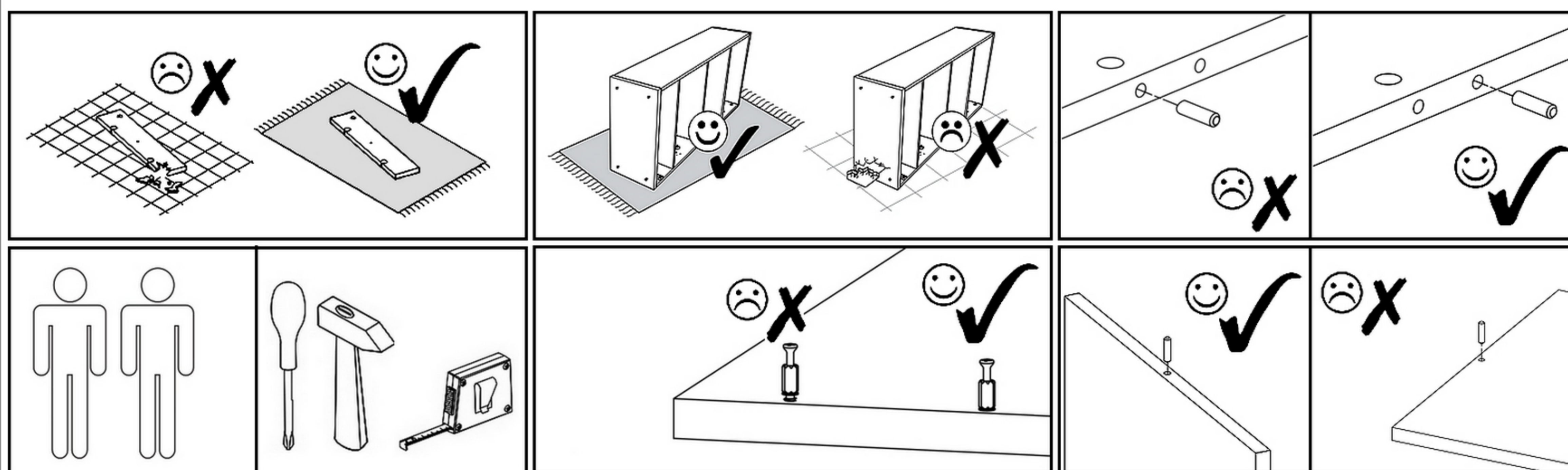
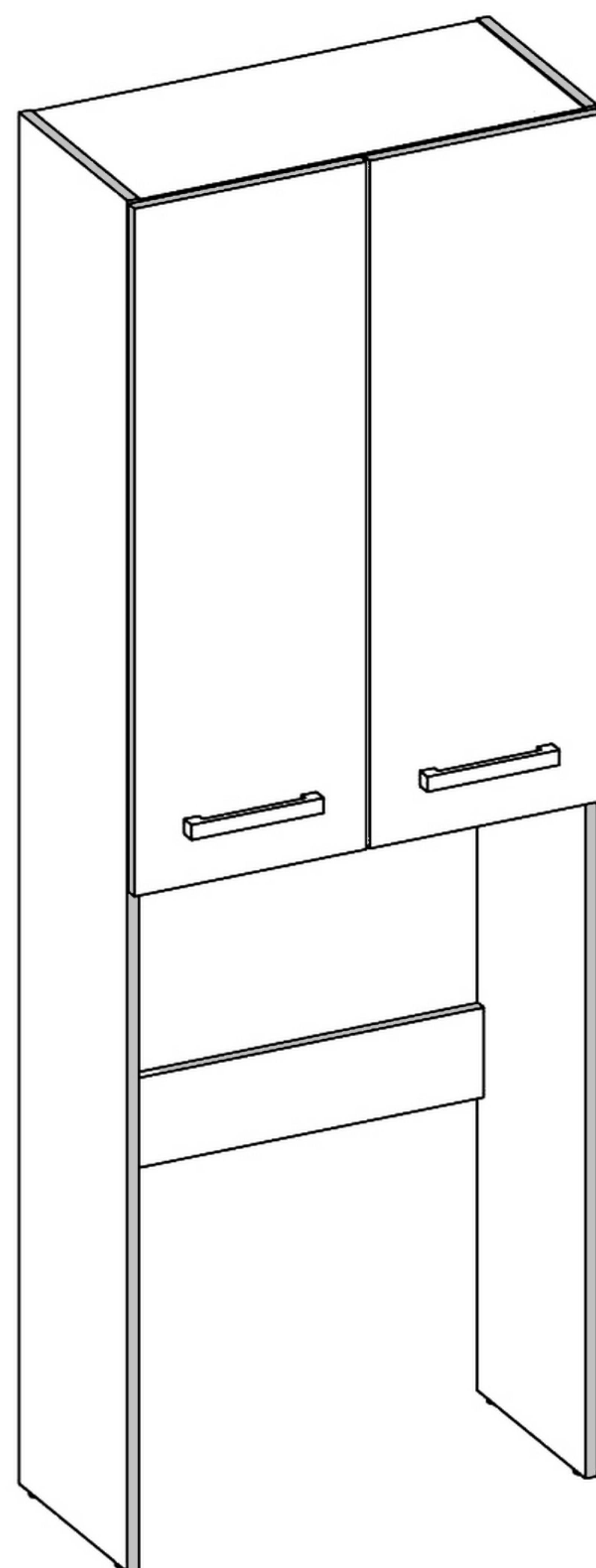
03.12.2021






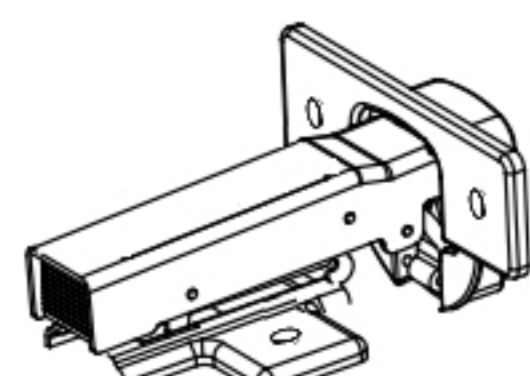



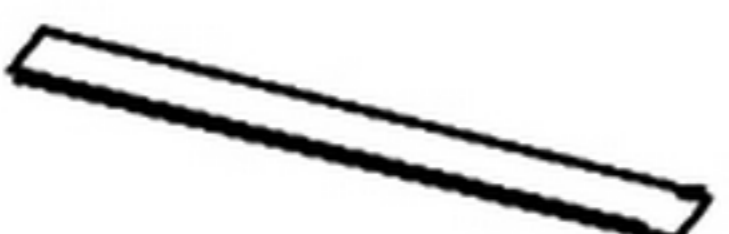

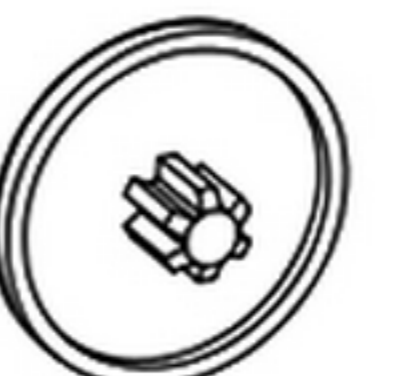
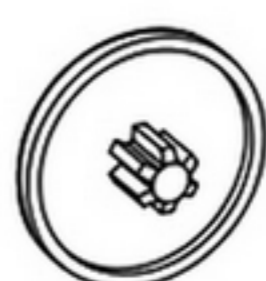
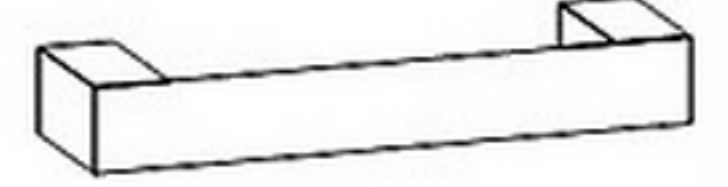
POLA

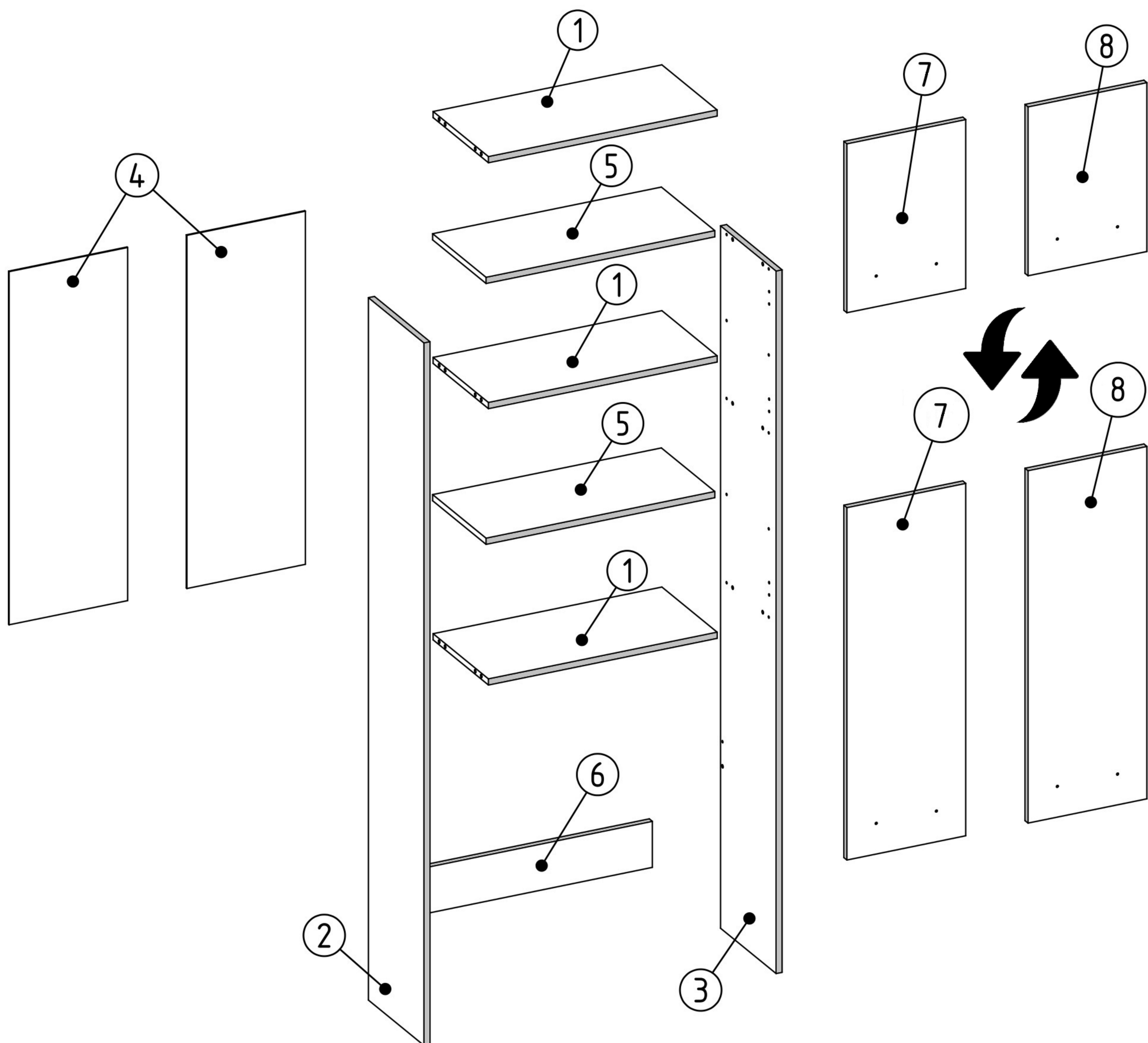
POLA DK



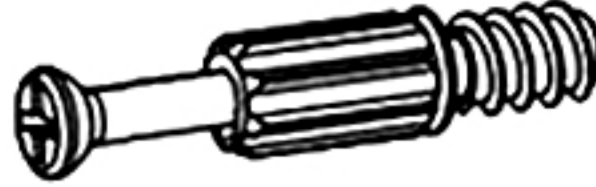


POLA DD

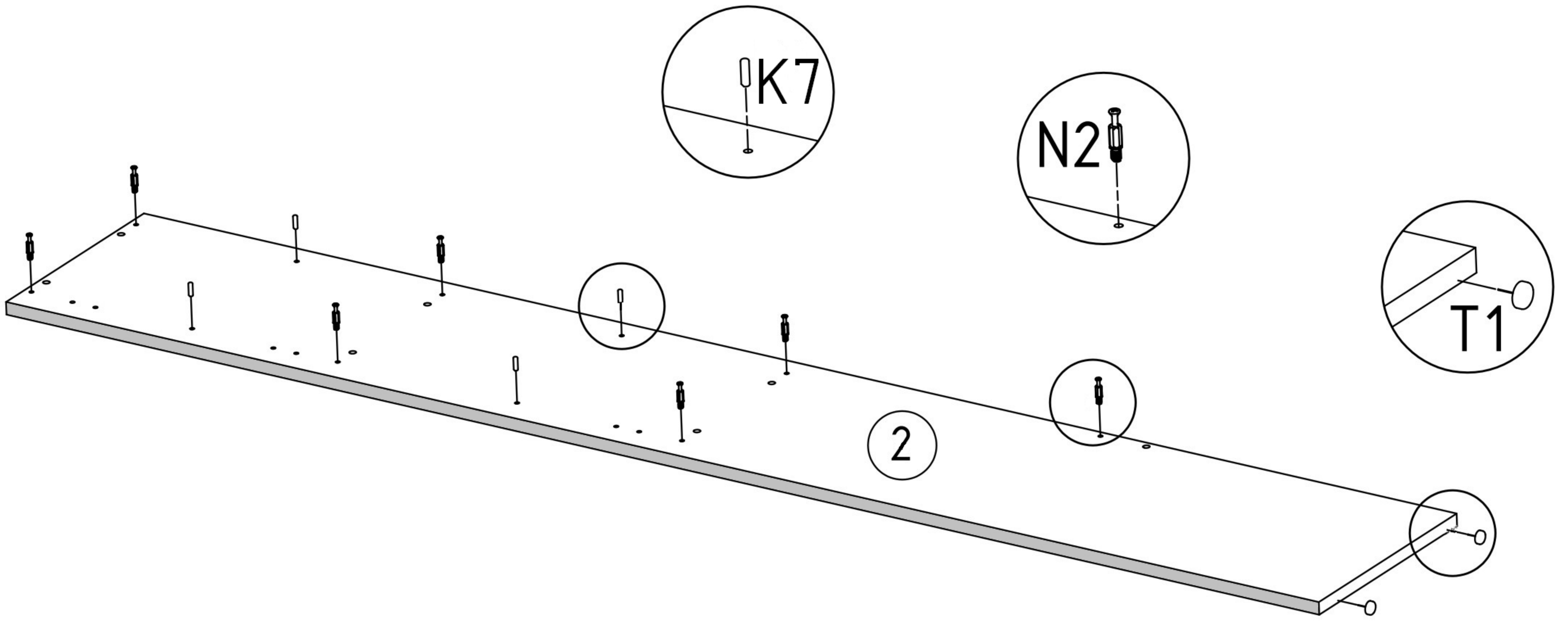
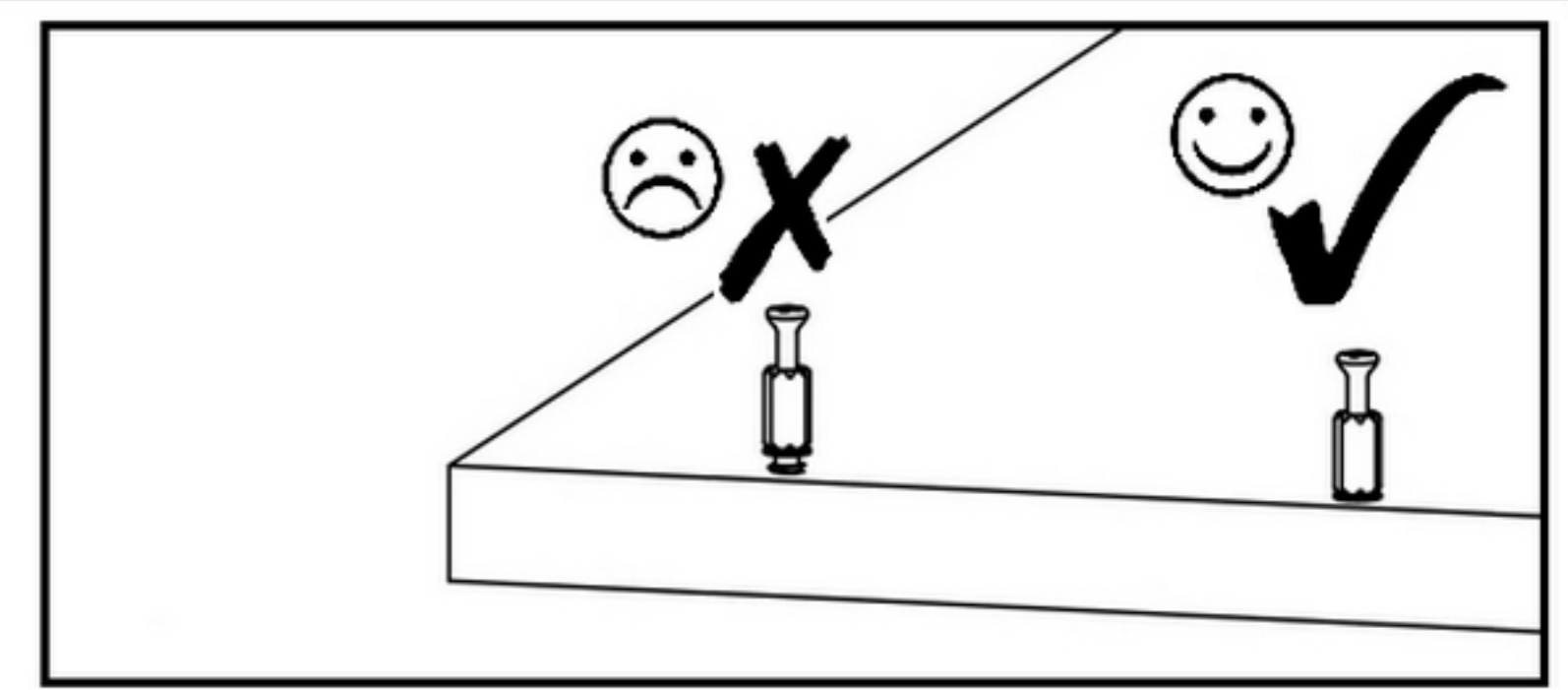





N2  L=45mm x14	M1  12x15mm x14	S5  4x25mm x4	S1  3,5x16mm x8	E2  8x35mm x14	A1  ZP x4	K2  x1
T1  x4	Z1  x20	L1  L=890mm x 1	K7  L=16mm x 8	M2  ø15mm x14	K5  ø6mm x4	U1  L=180mm x2

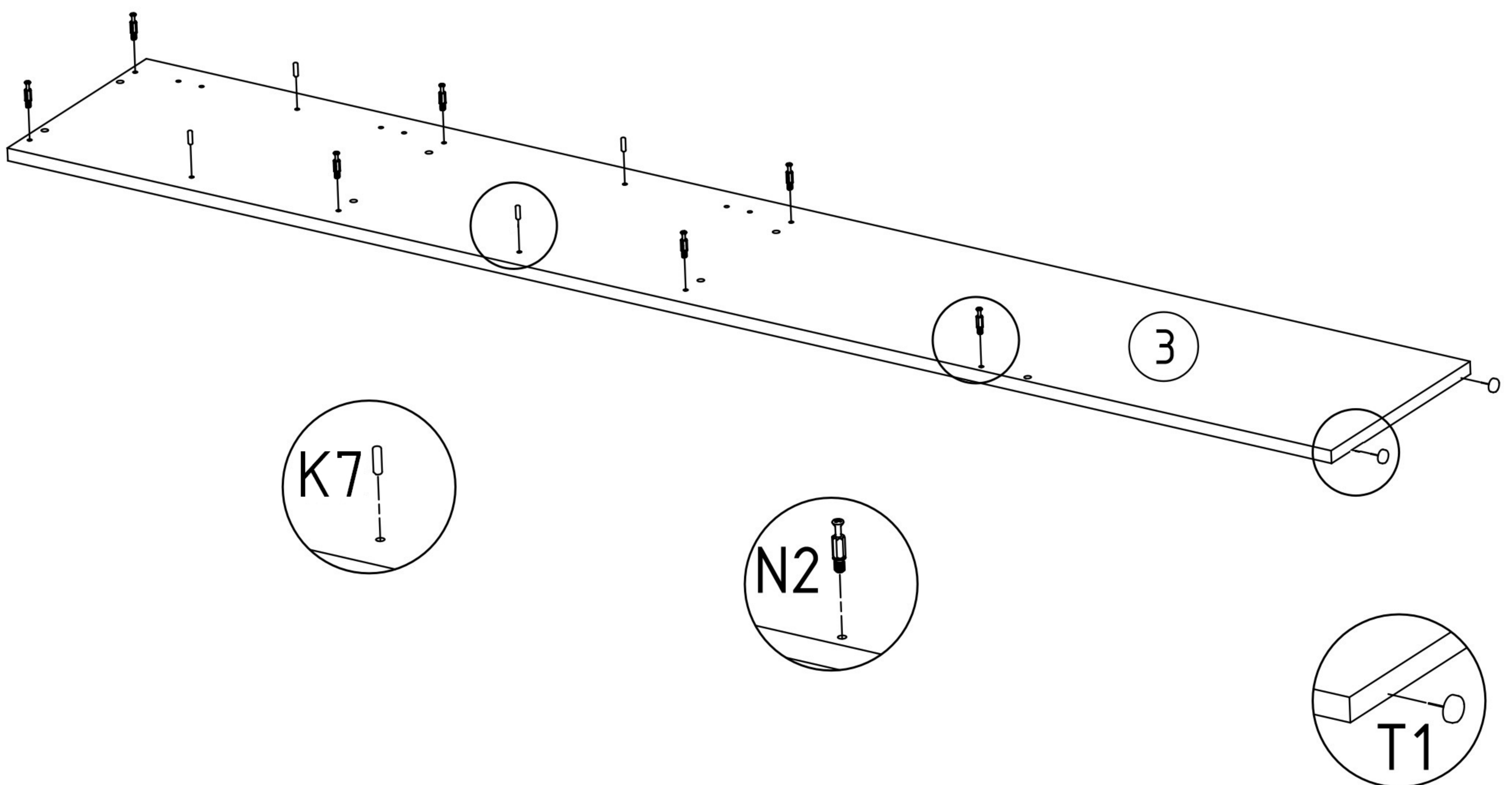
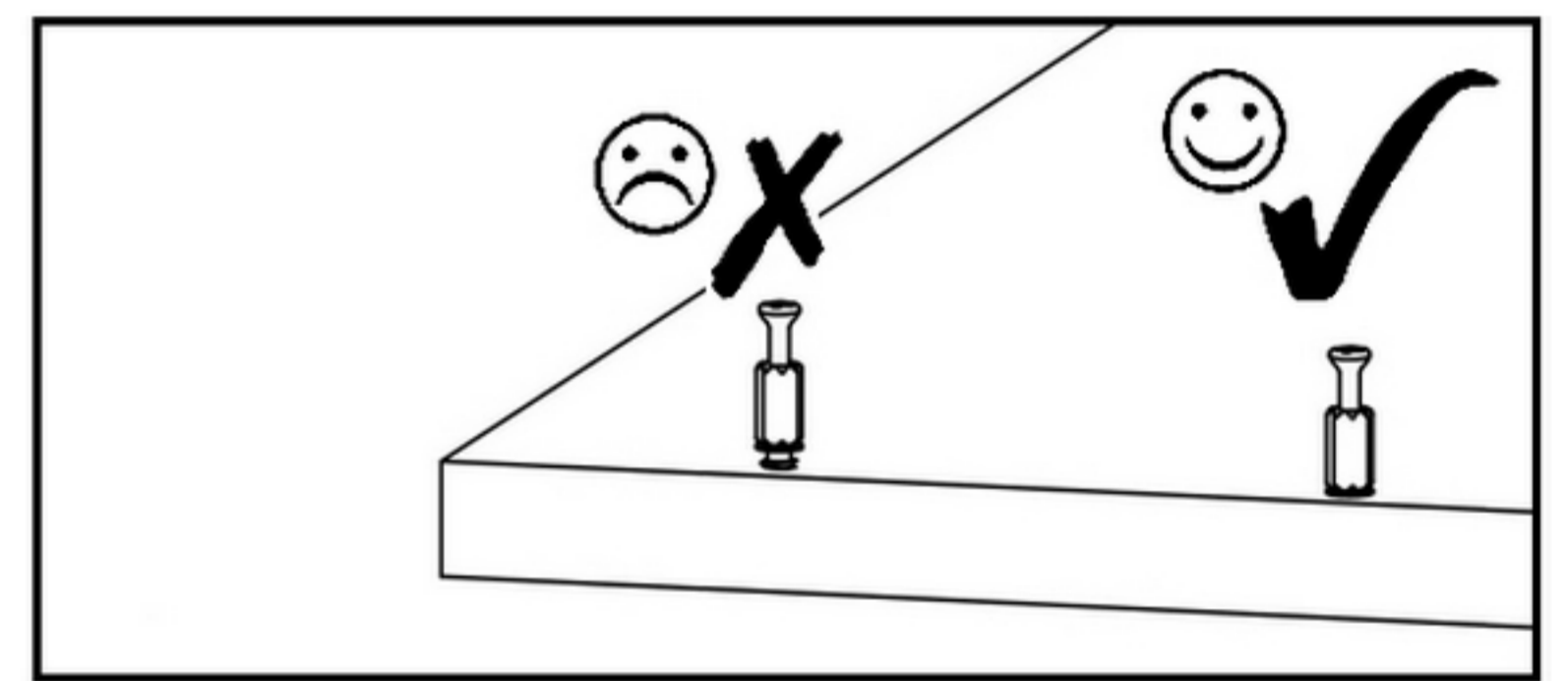


1	x	3
2	x	1
3	x	1
4	x	2
5	x	2
6	x	1
7	x	1
8	x	1

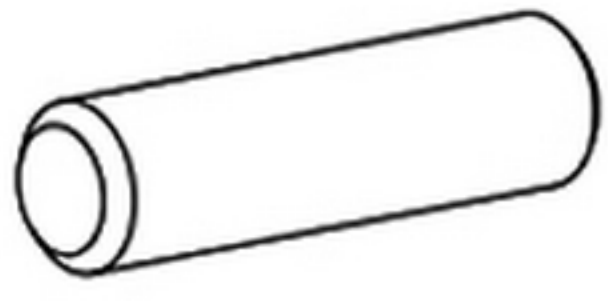
N2  L=45mm x7	K7  L=16mm x4	T1  x2
--	---	---



N2  L=45mm x7	K7  L=16mm x4	T1  x2
--	---	---



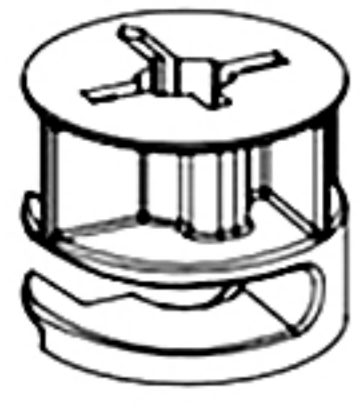
E2



8x35mm

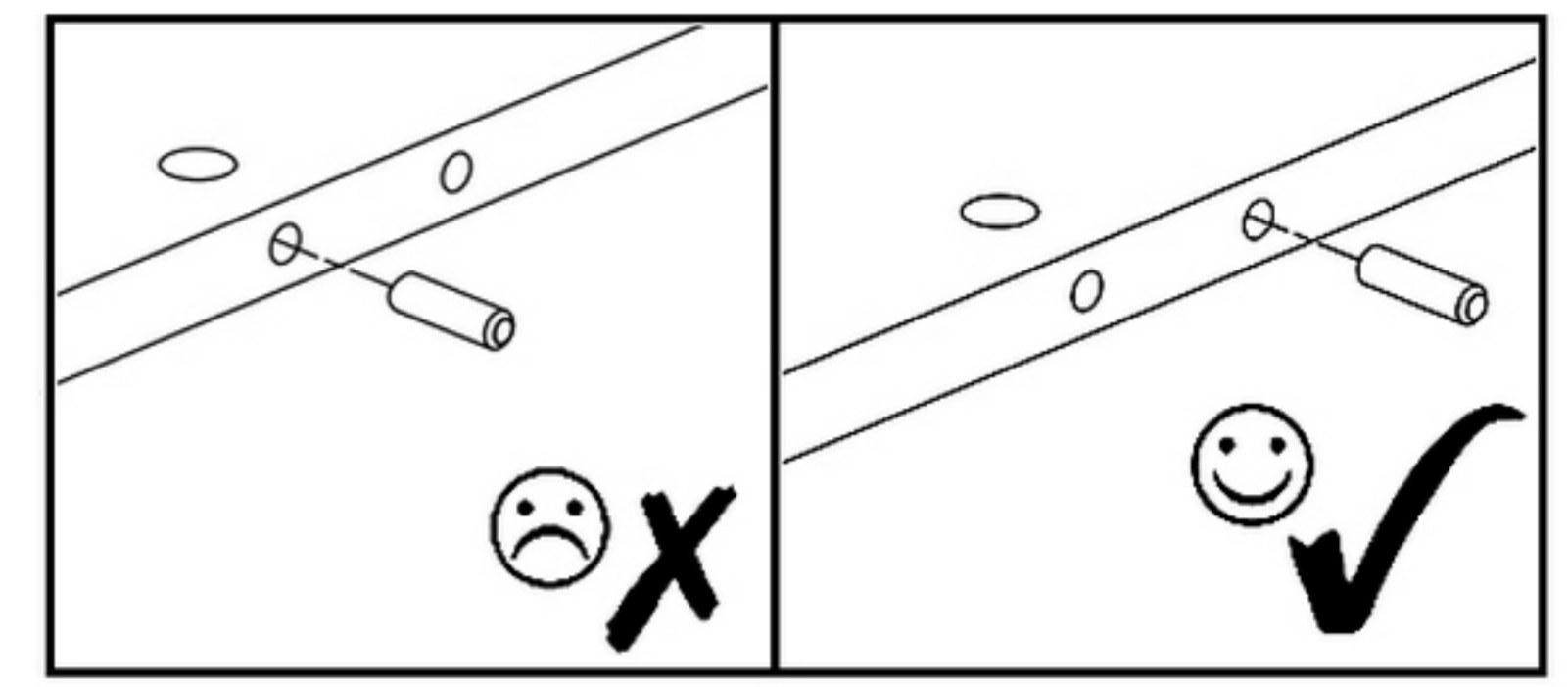
x12

M1

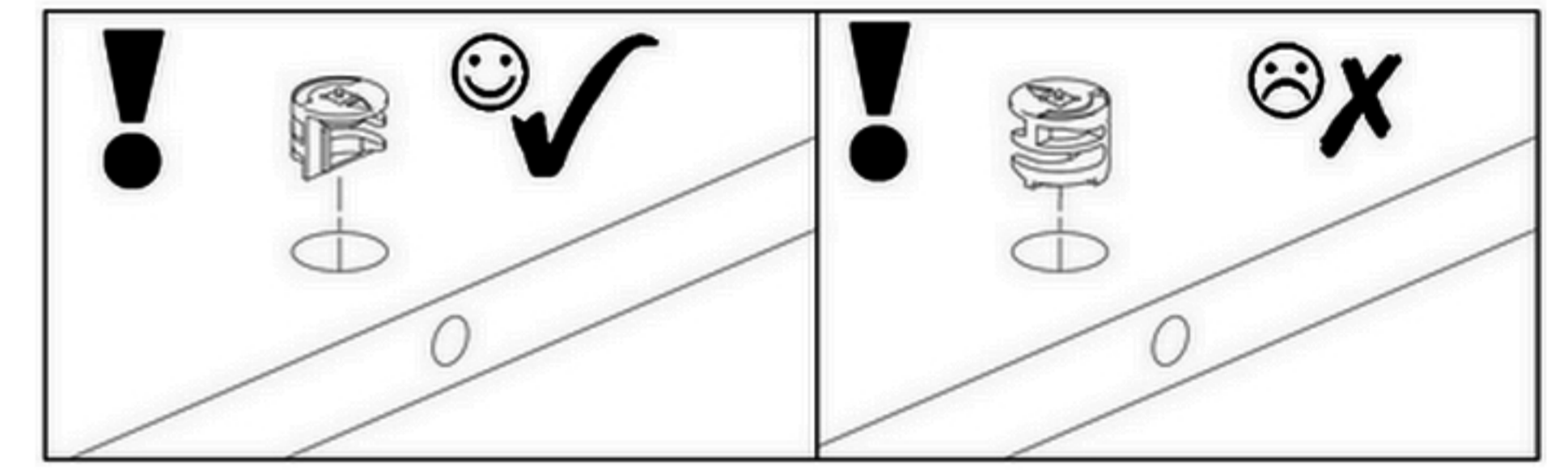
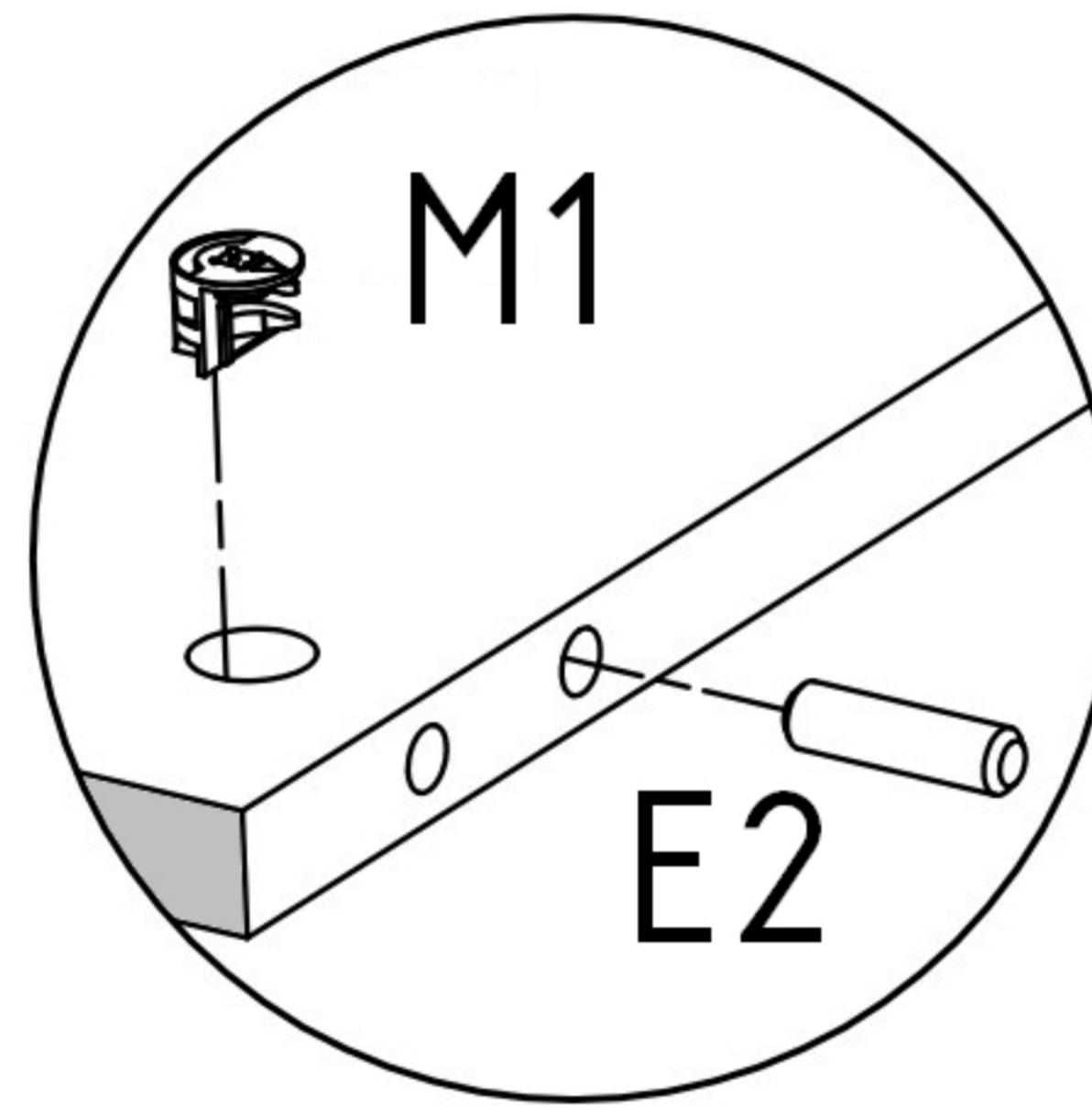
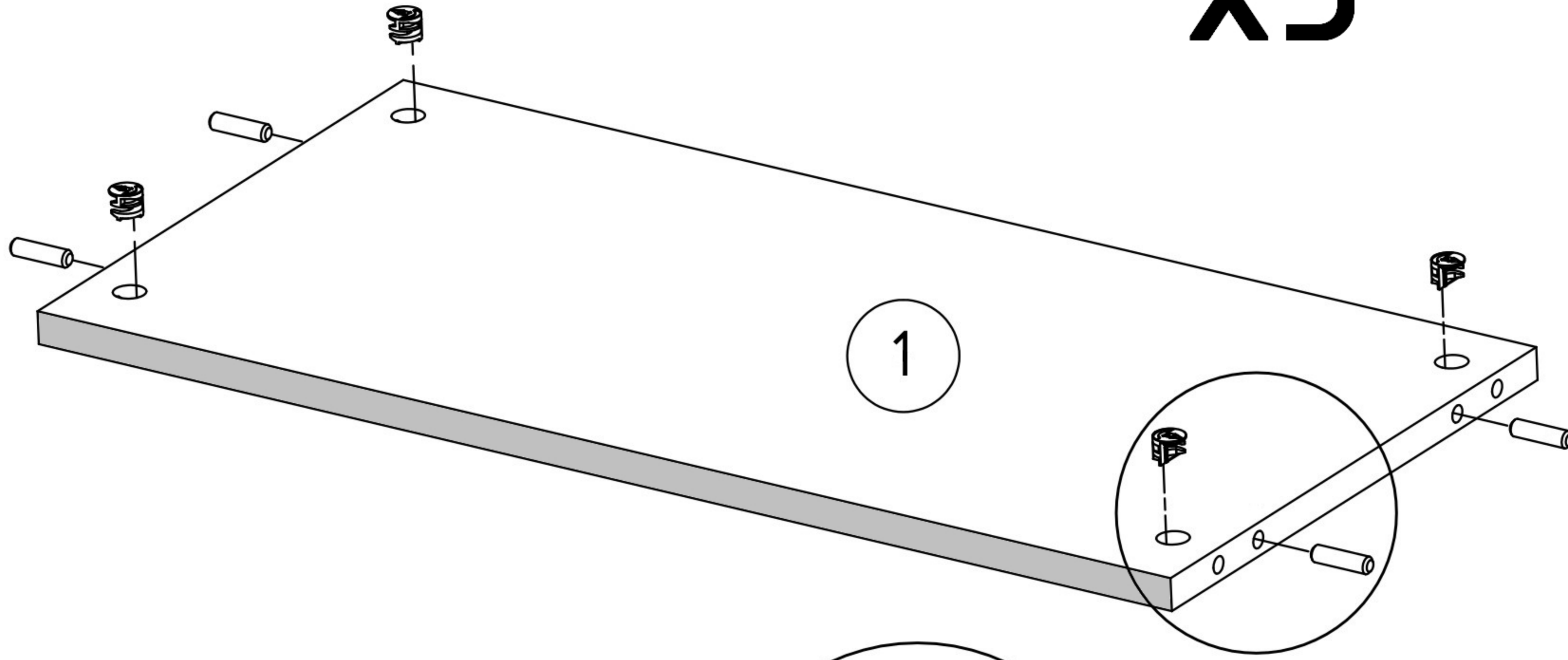


12x15mm

x12



x3



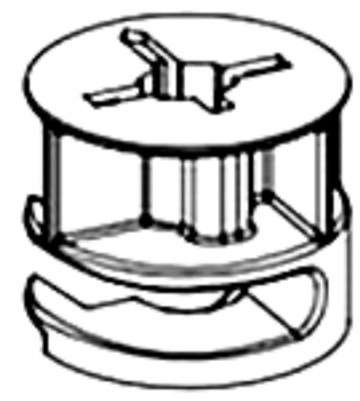
E2



8x35mm

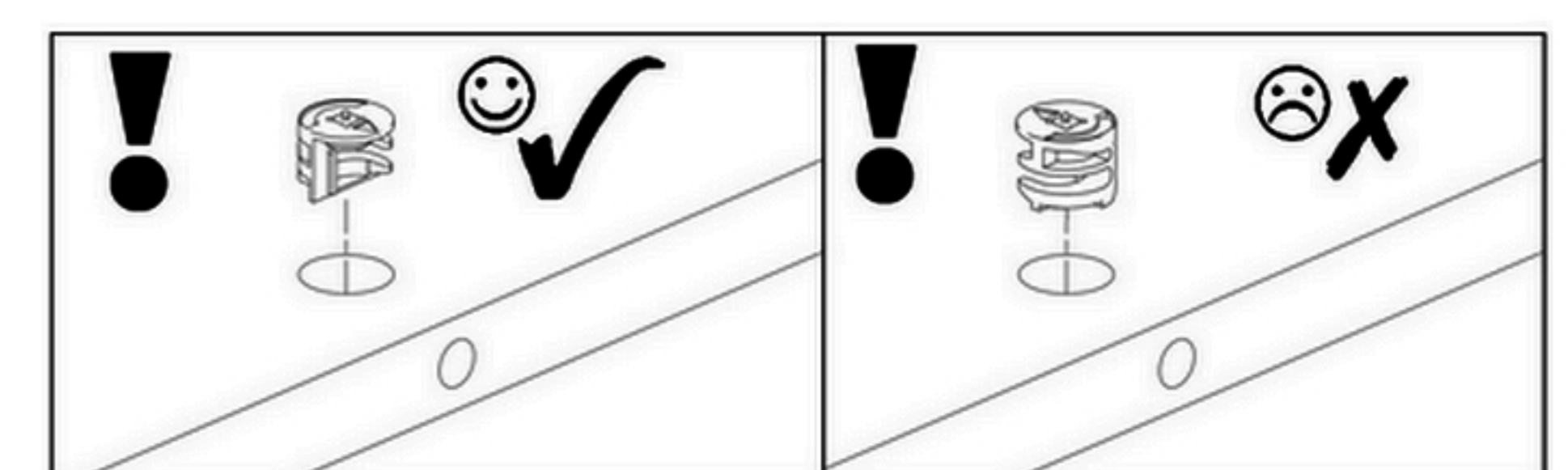
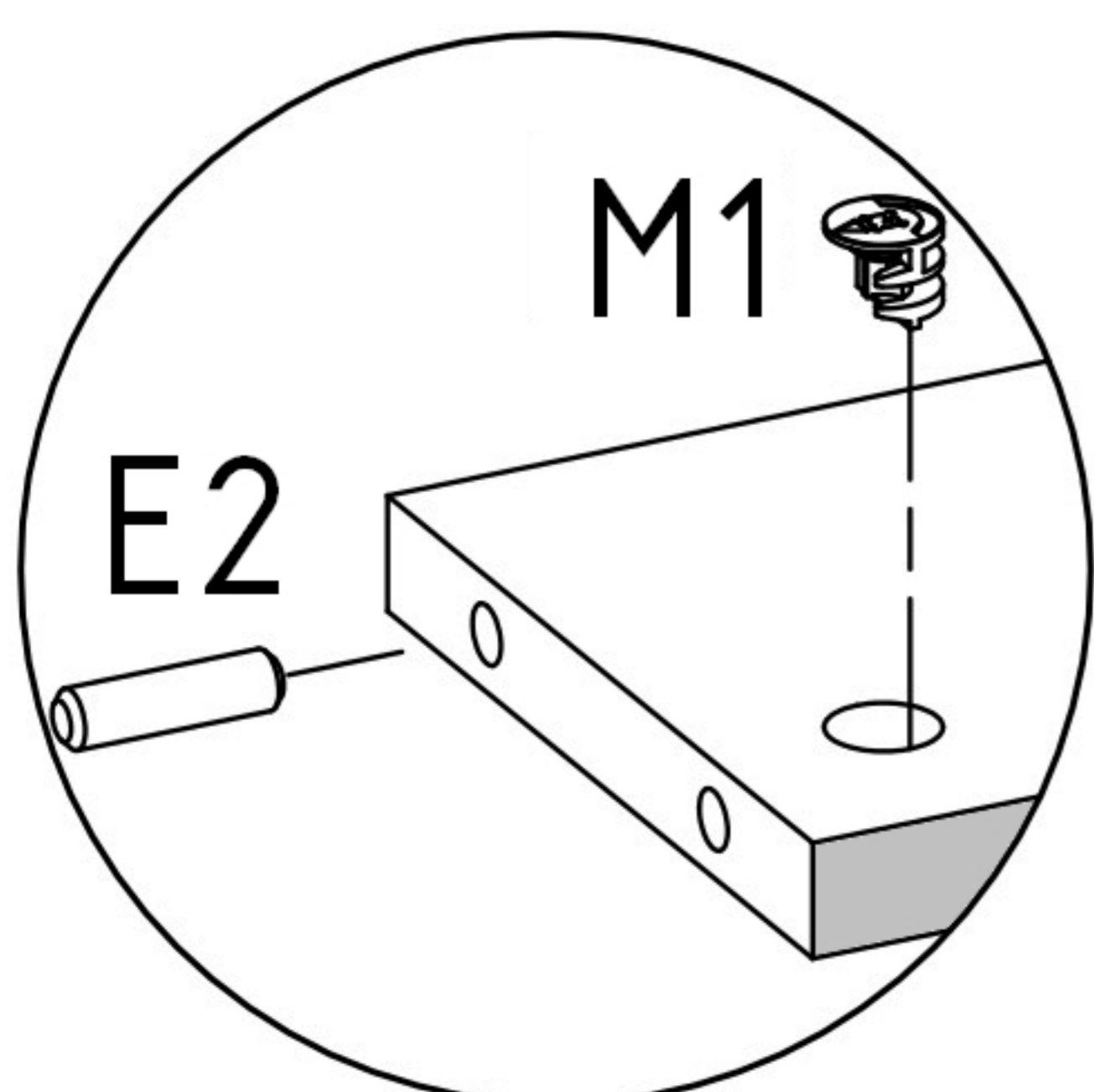
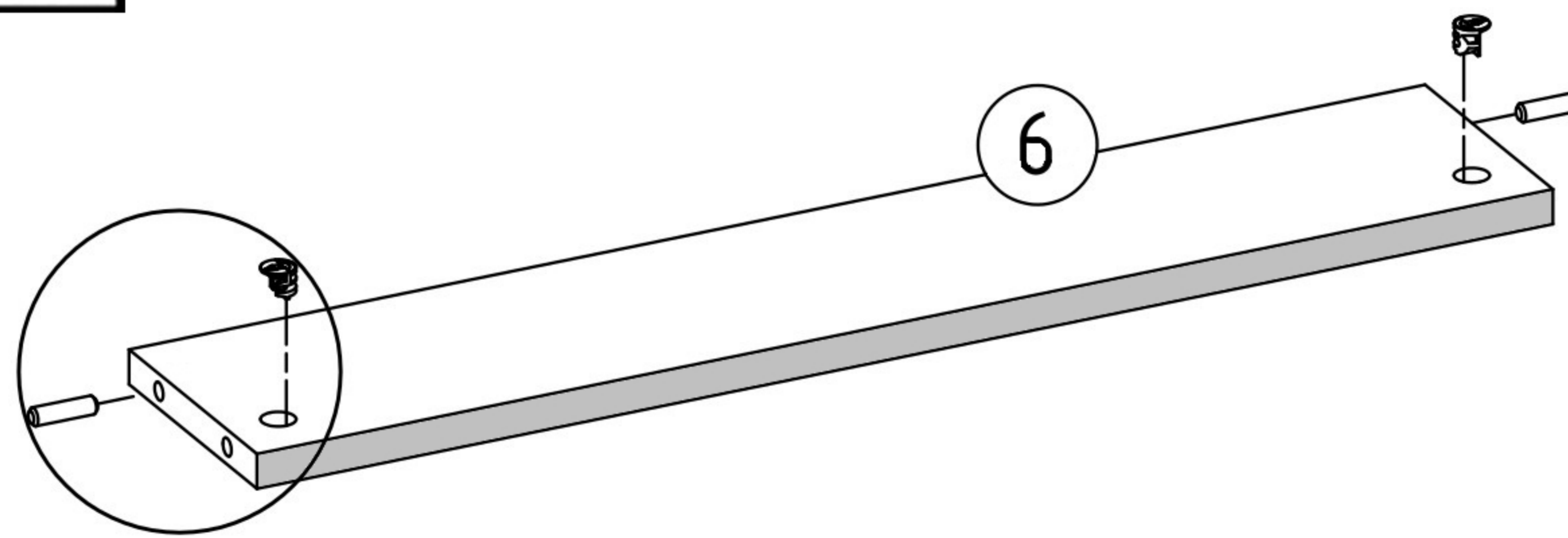
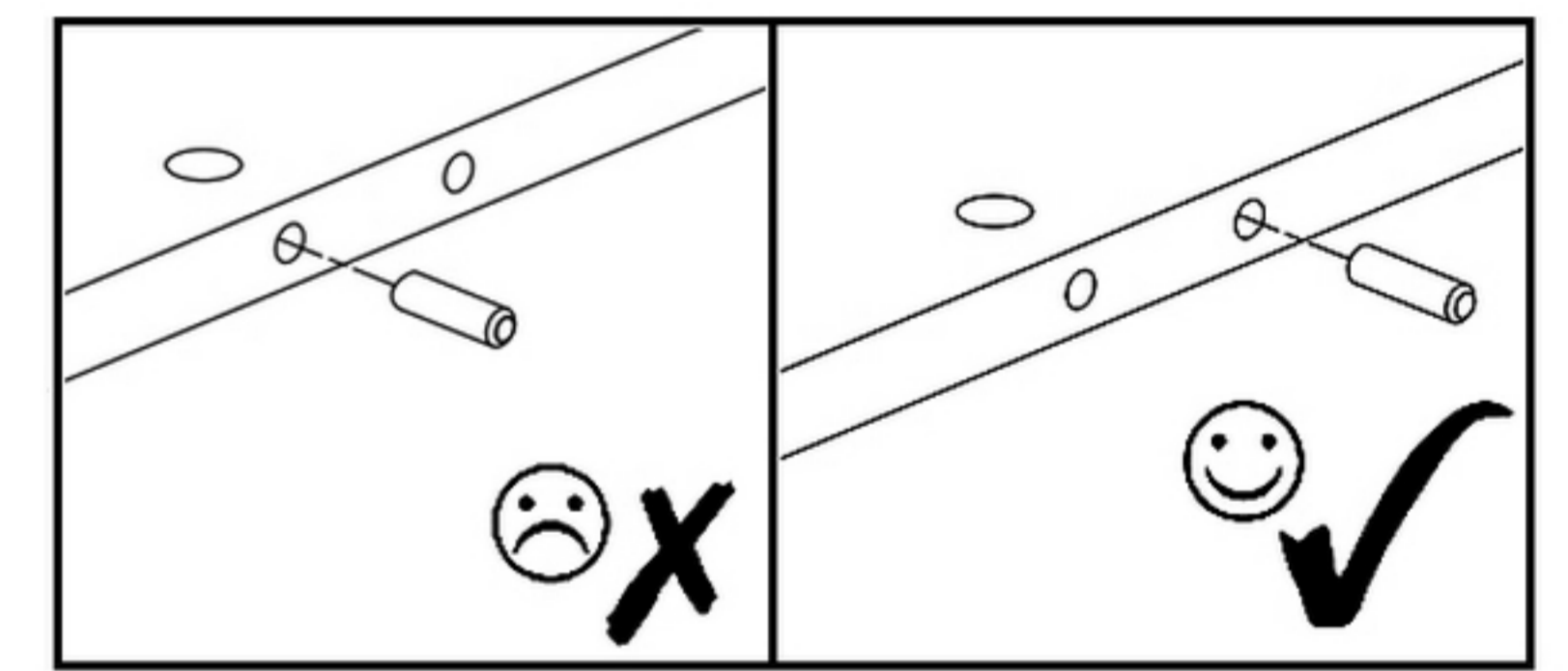
x2

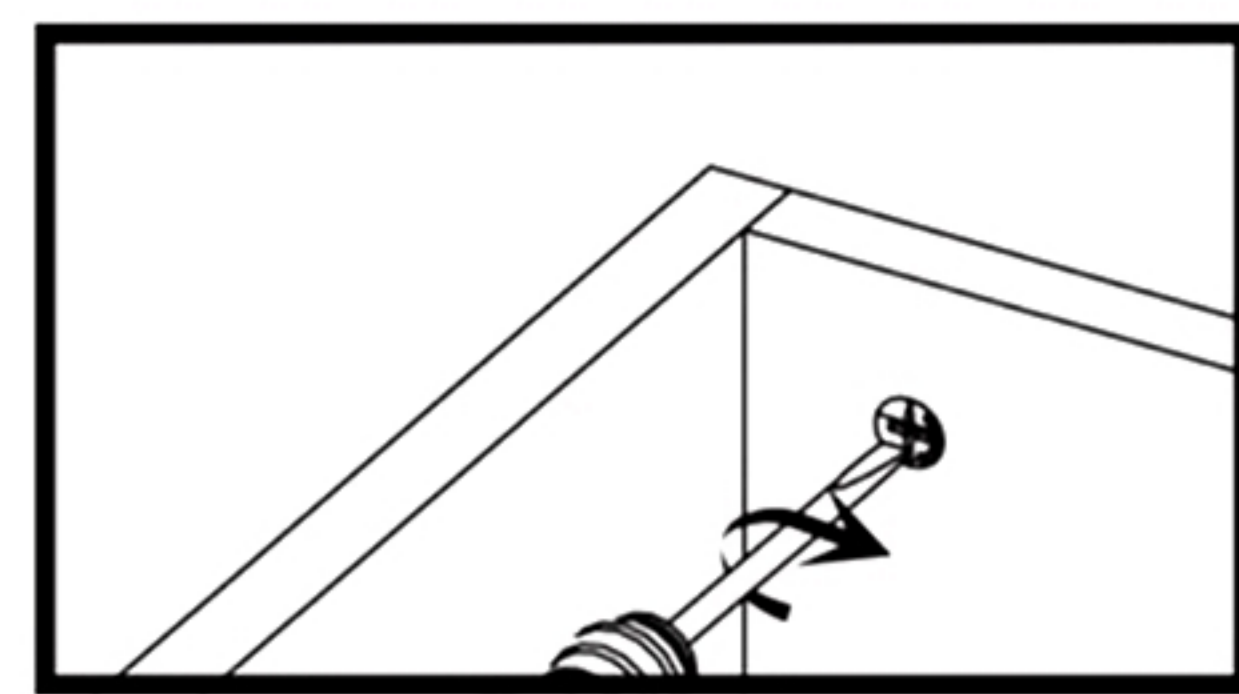
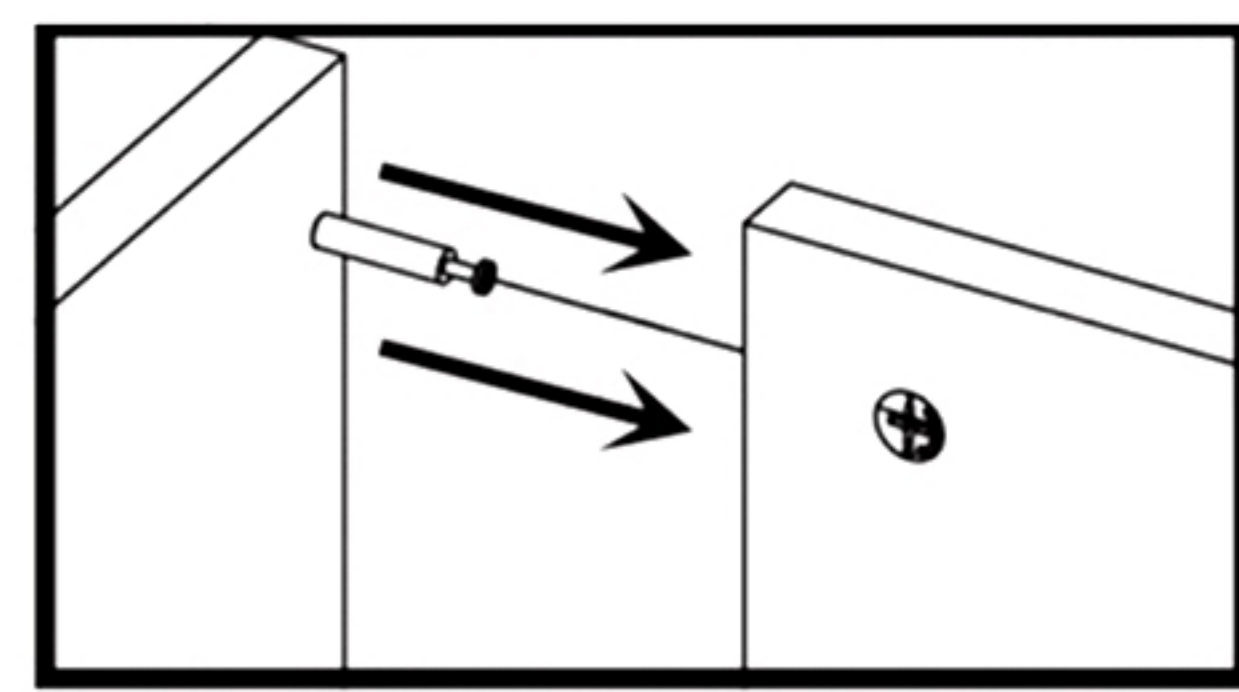
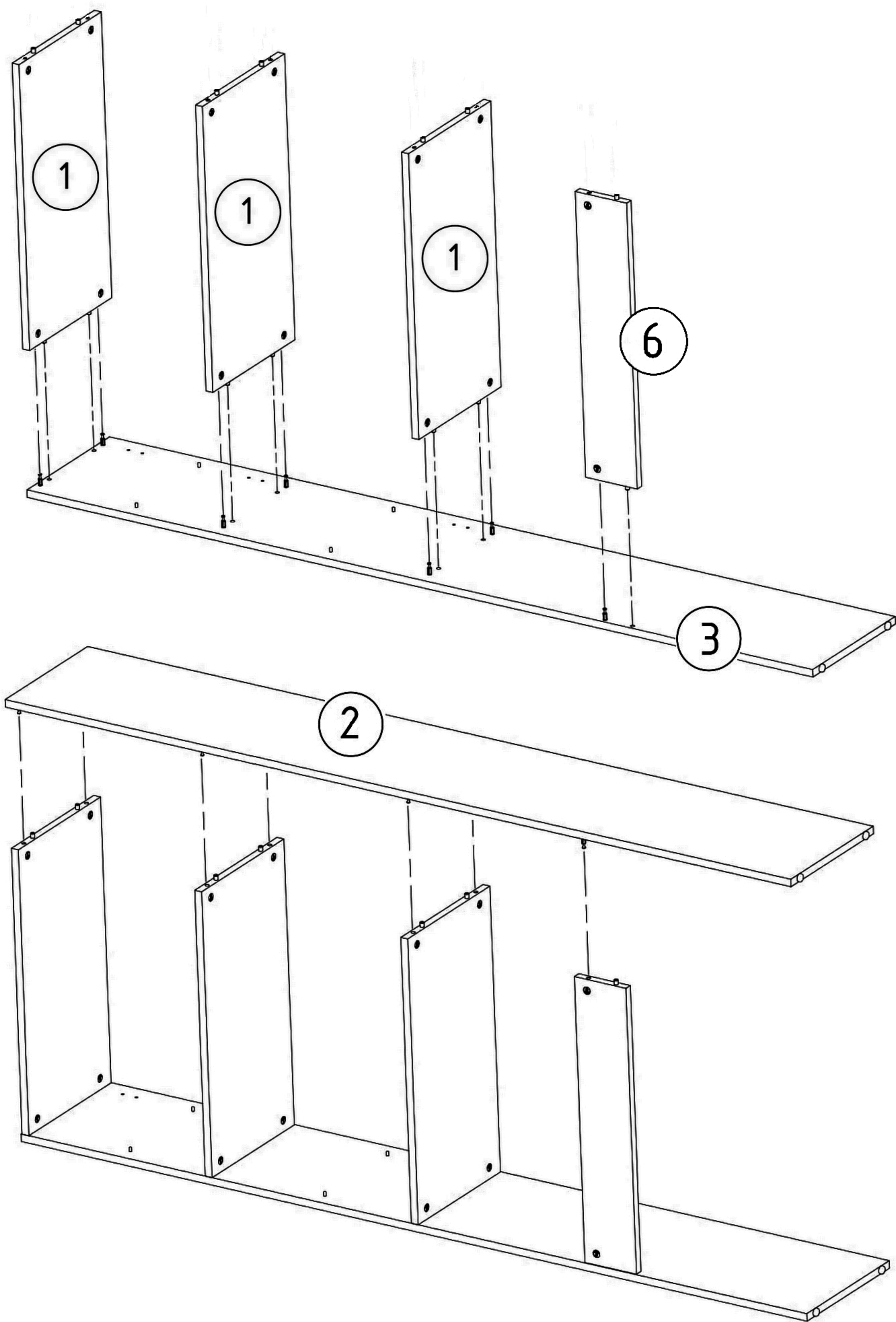
M1



12x15mm

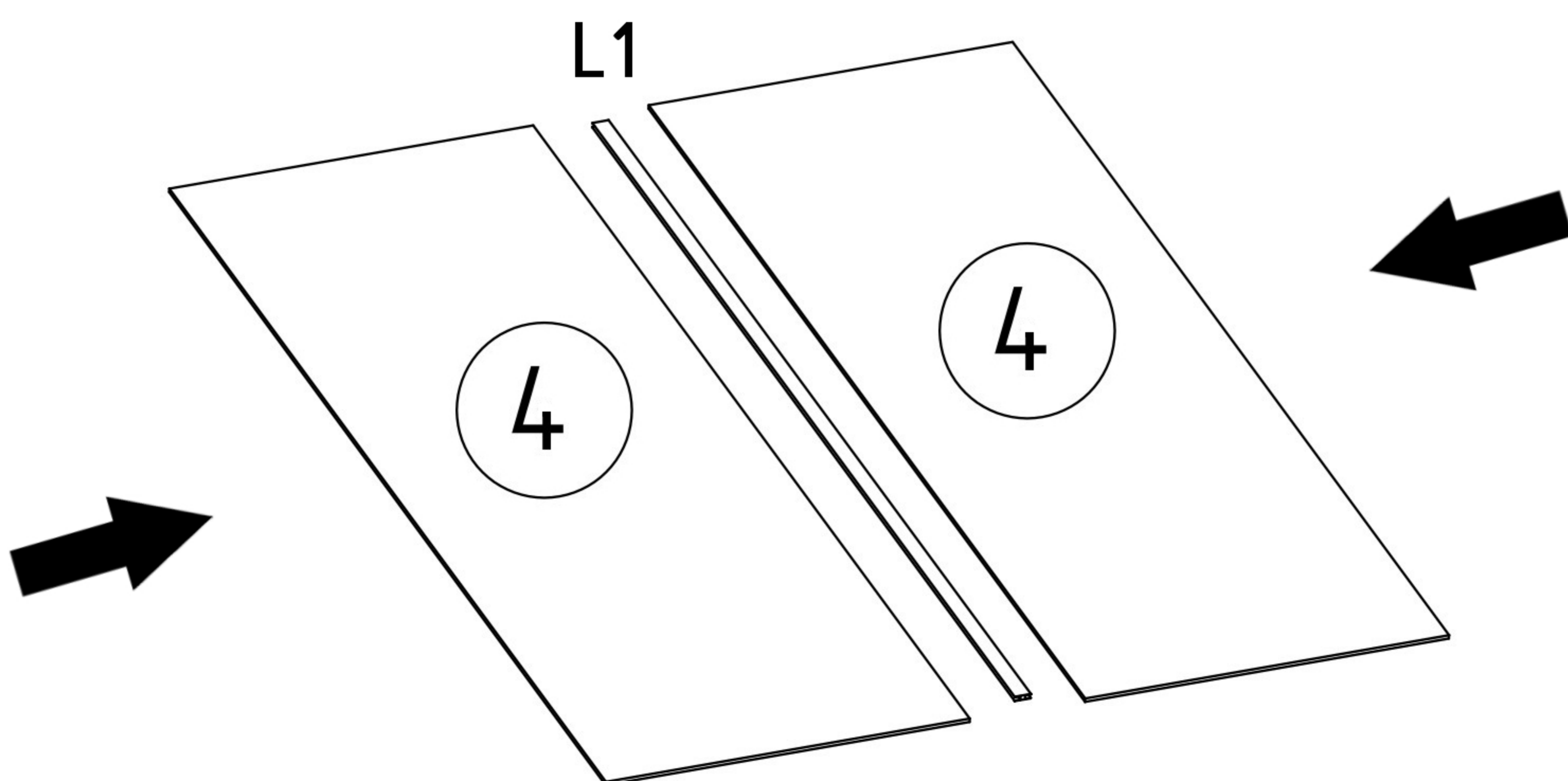
x2

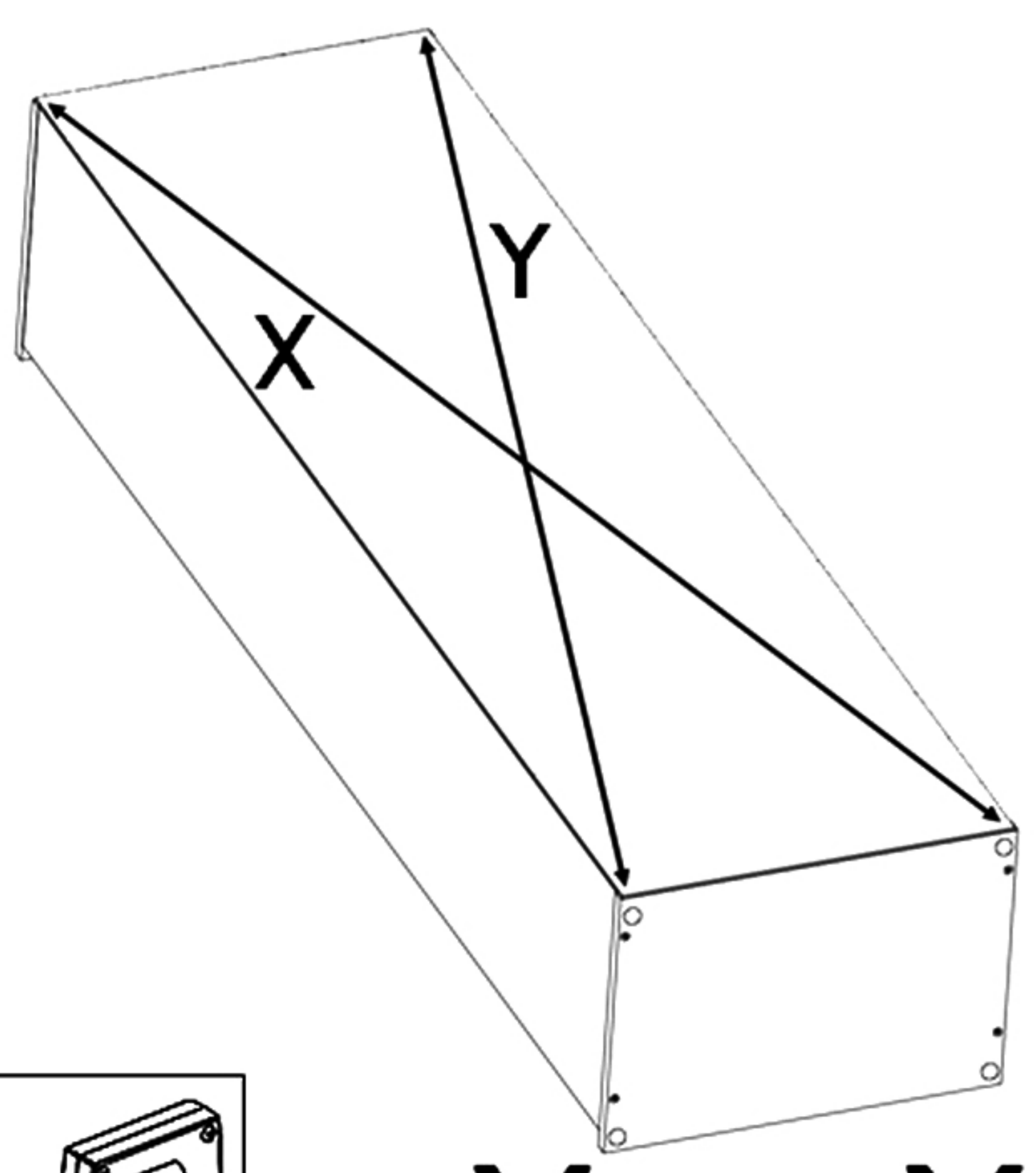
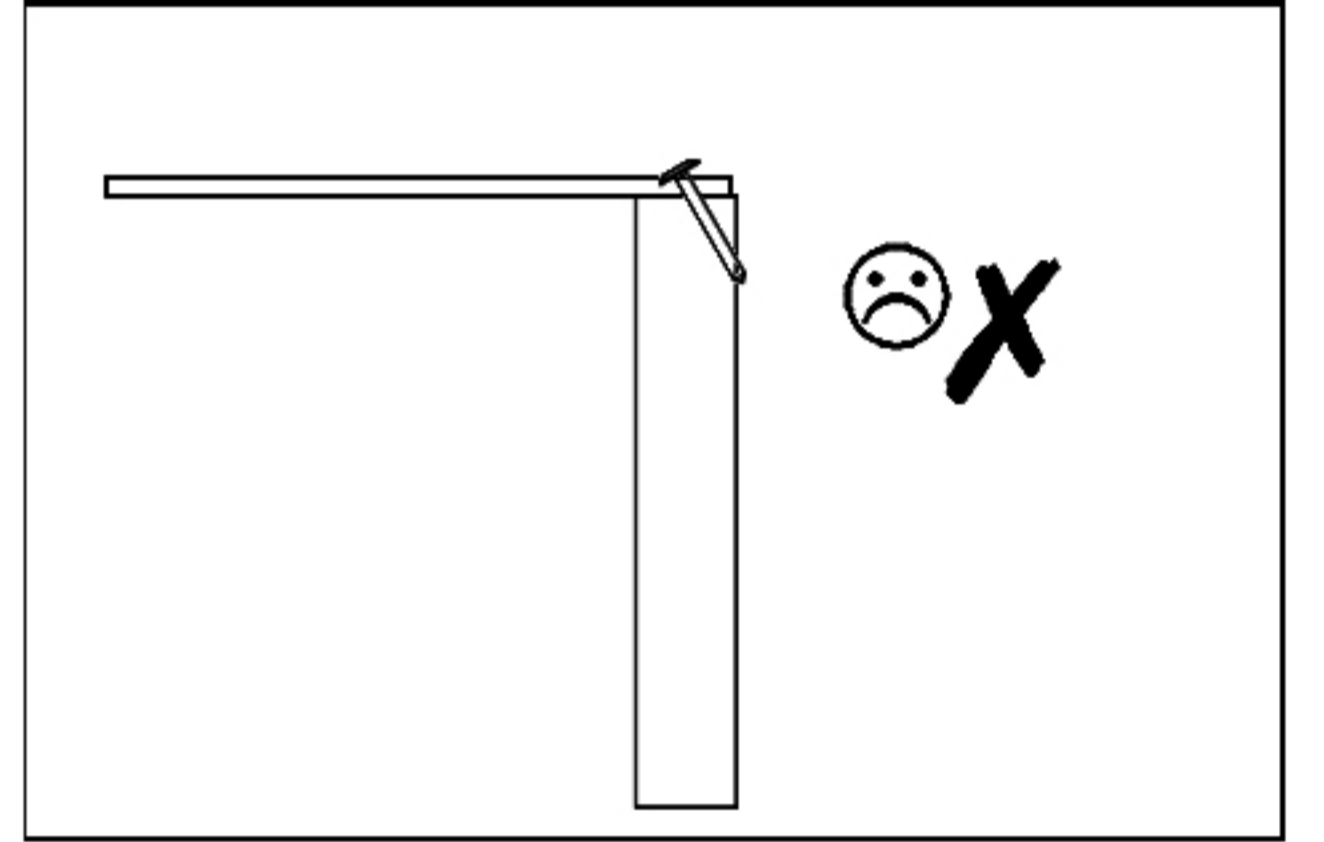
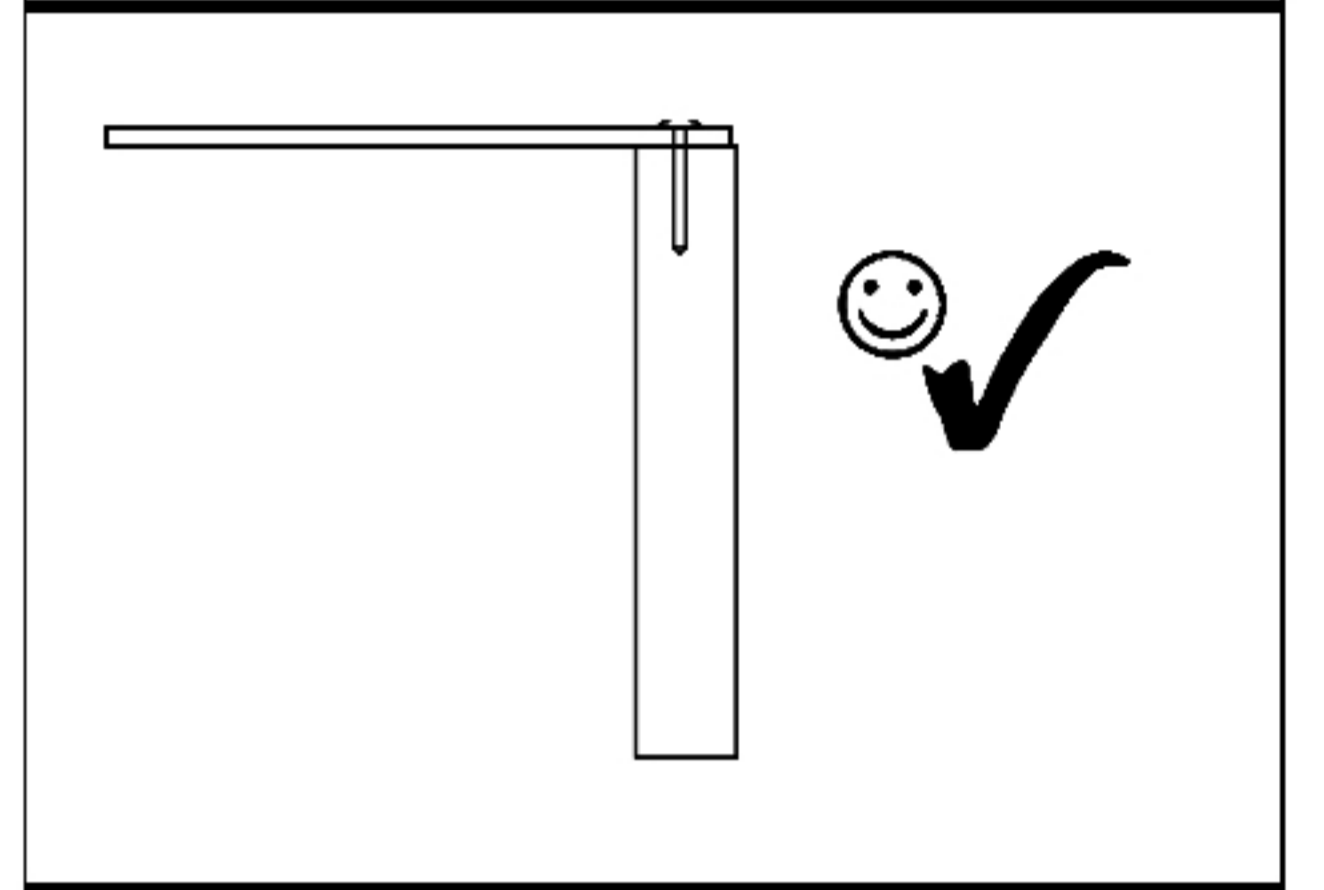
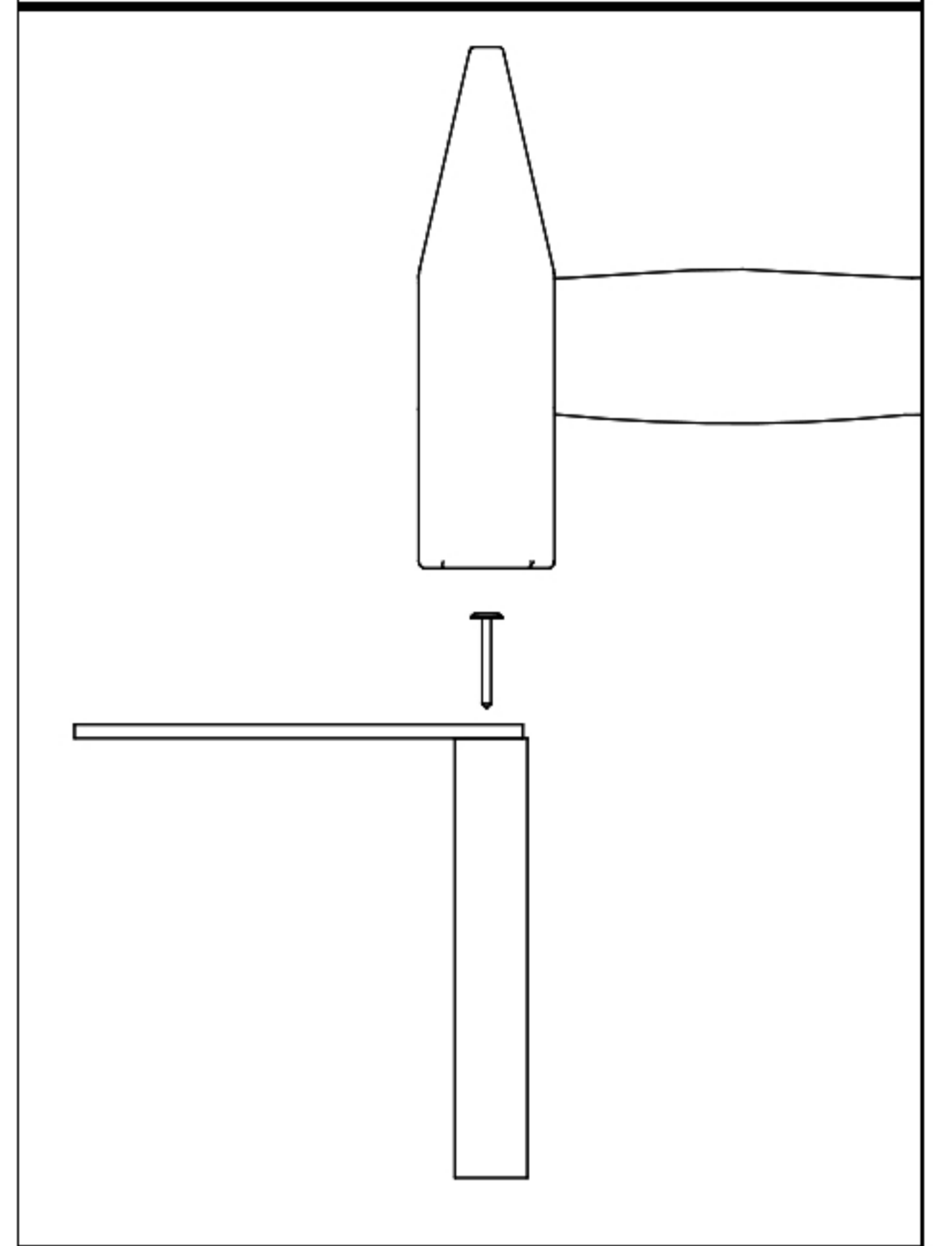
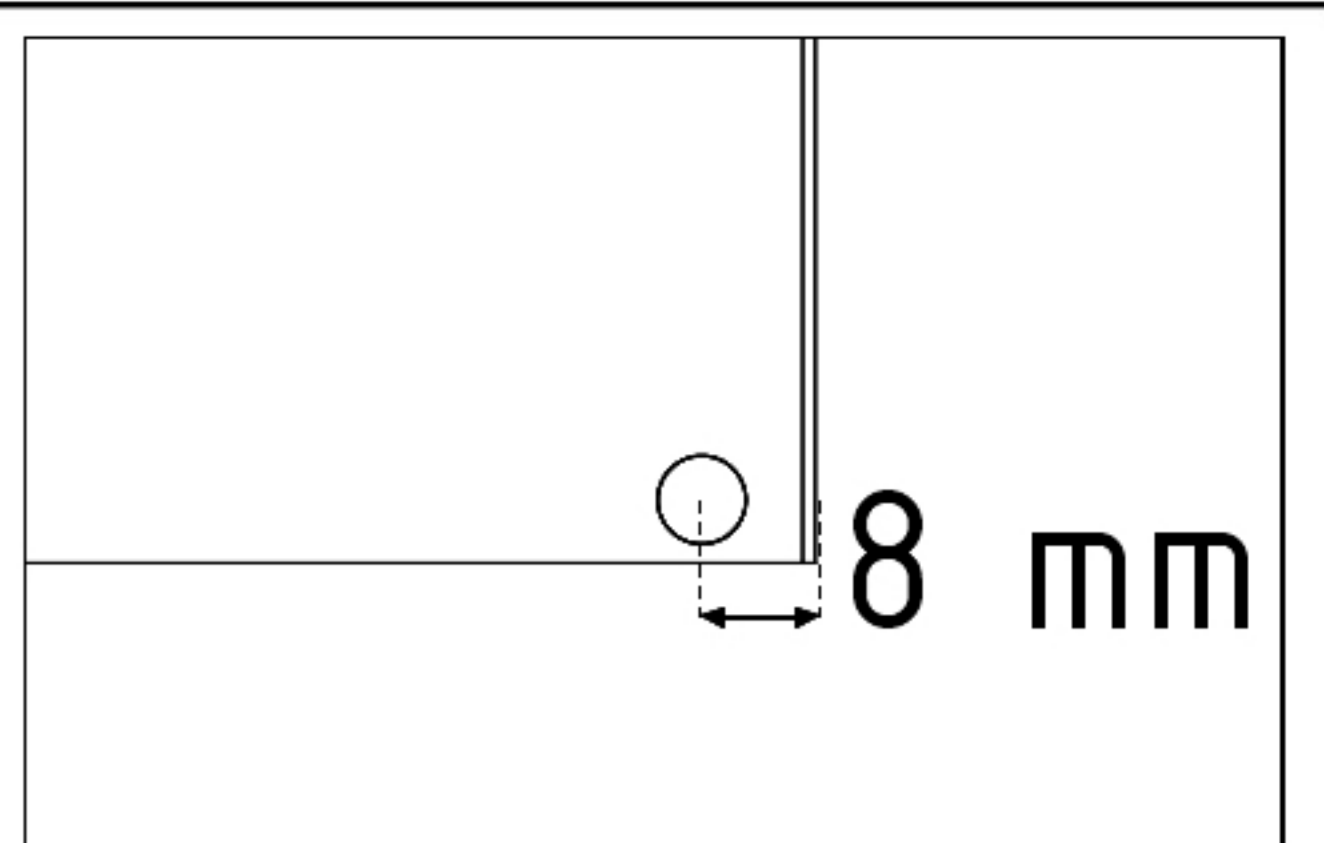
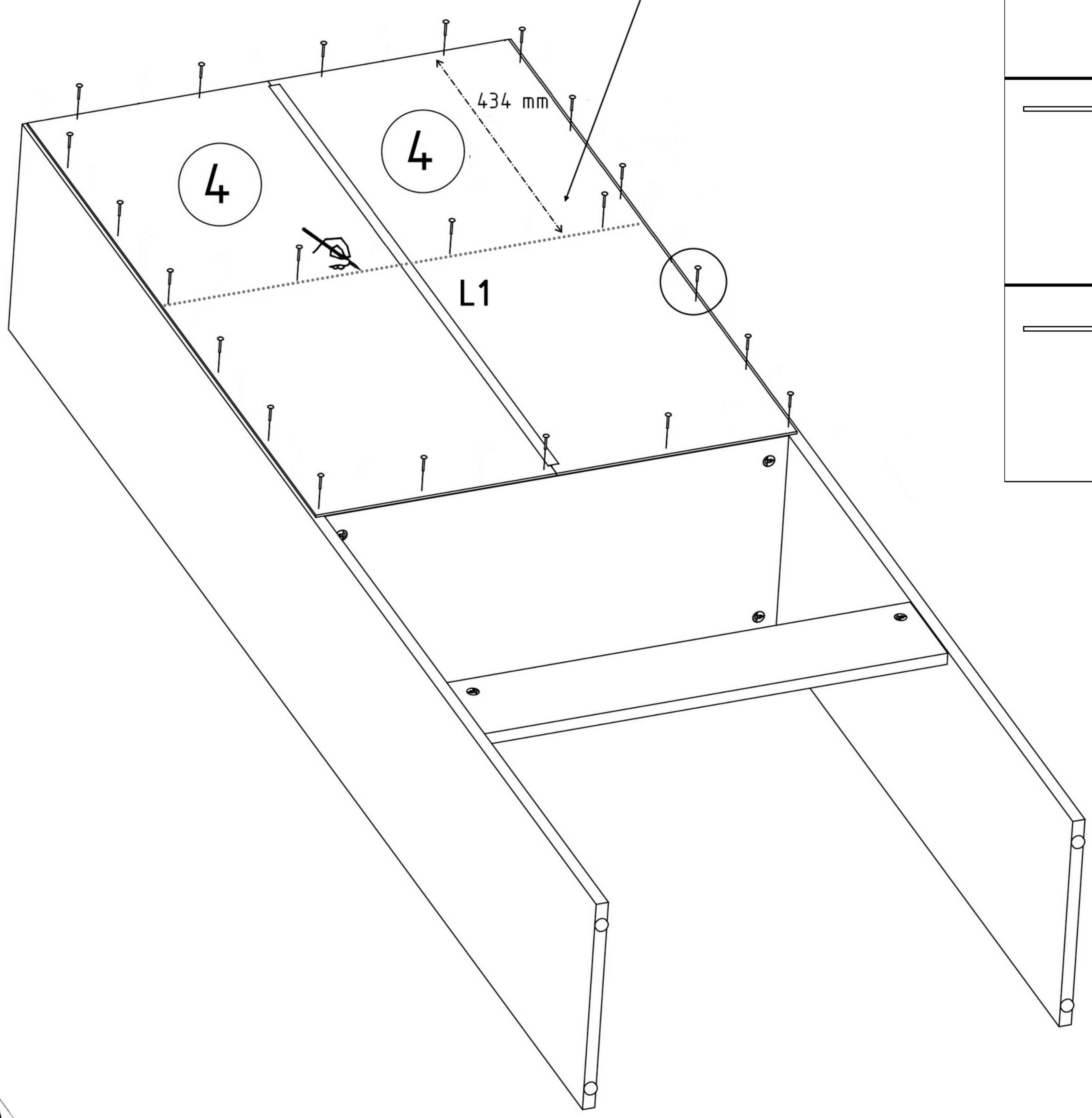
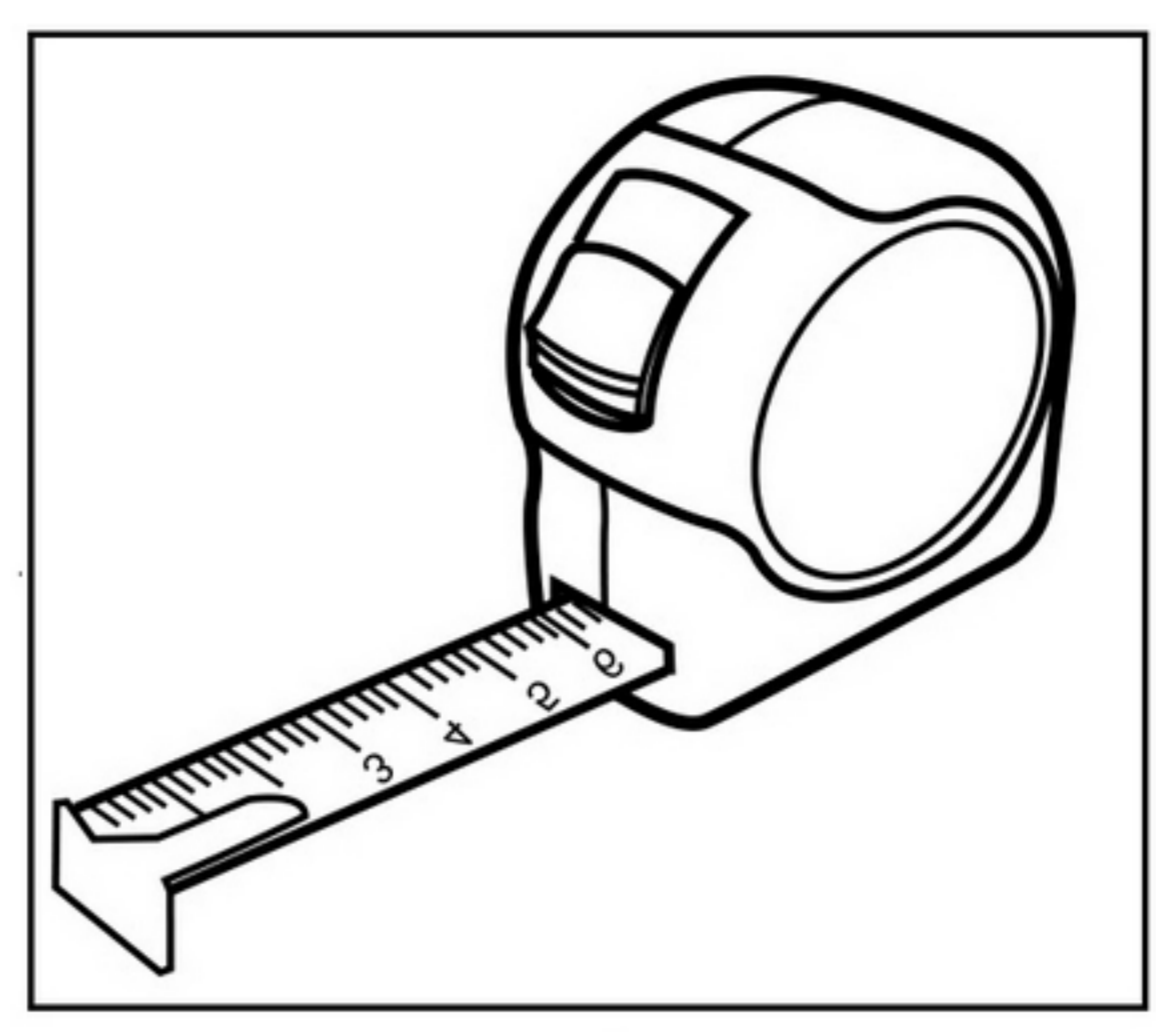
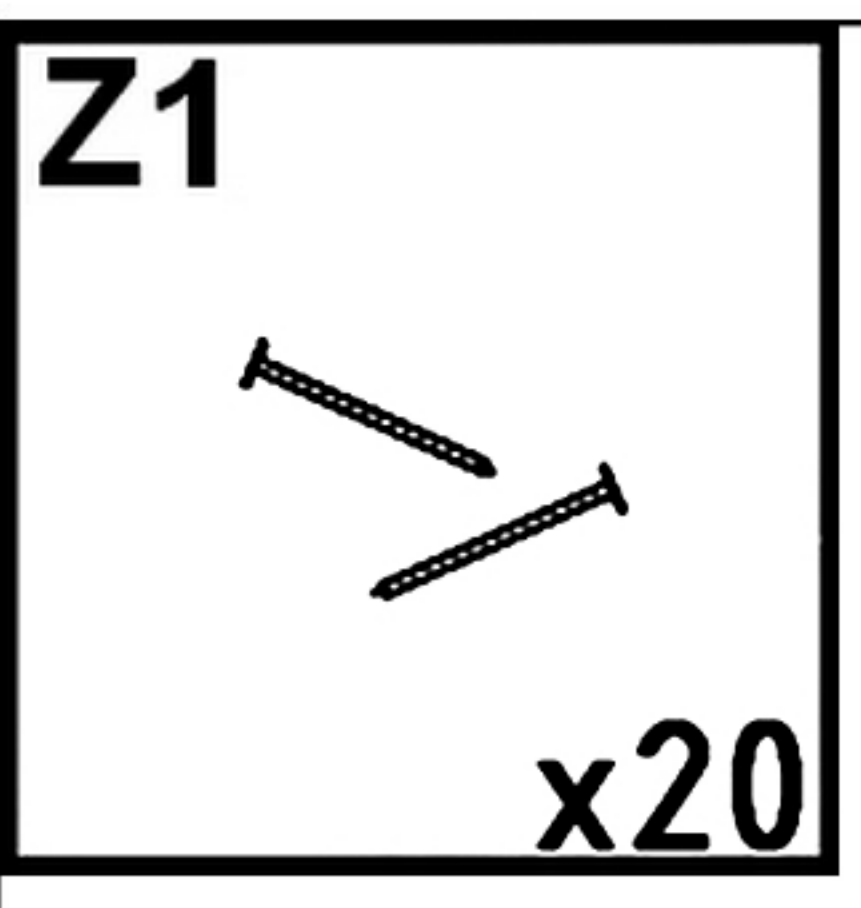




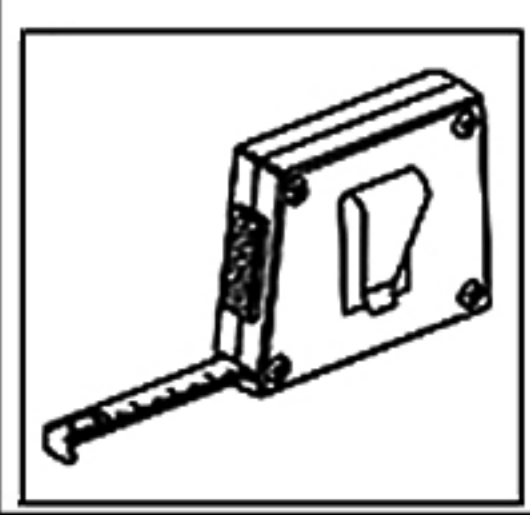
L1

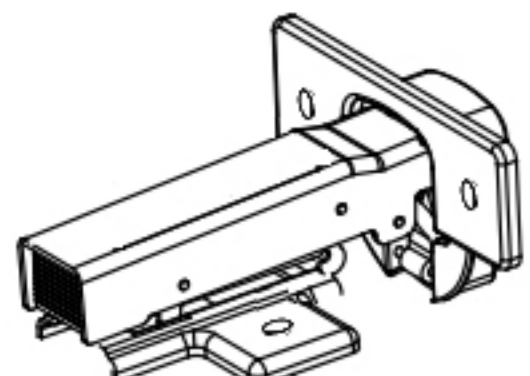
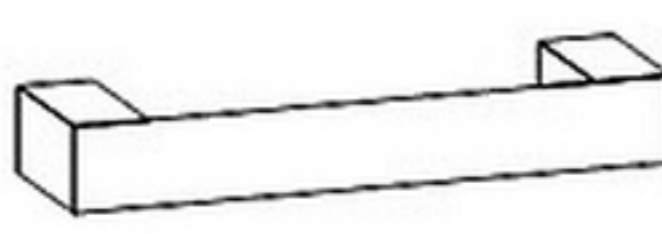


l=890 **x 1**

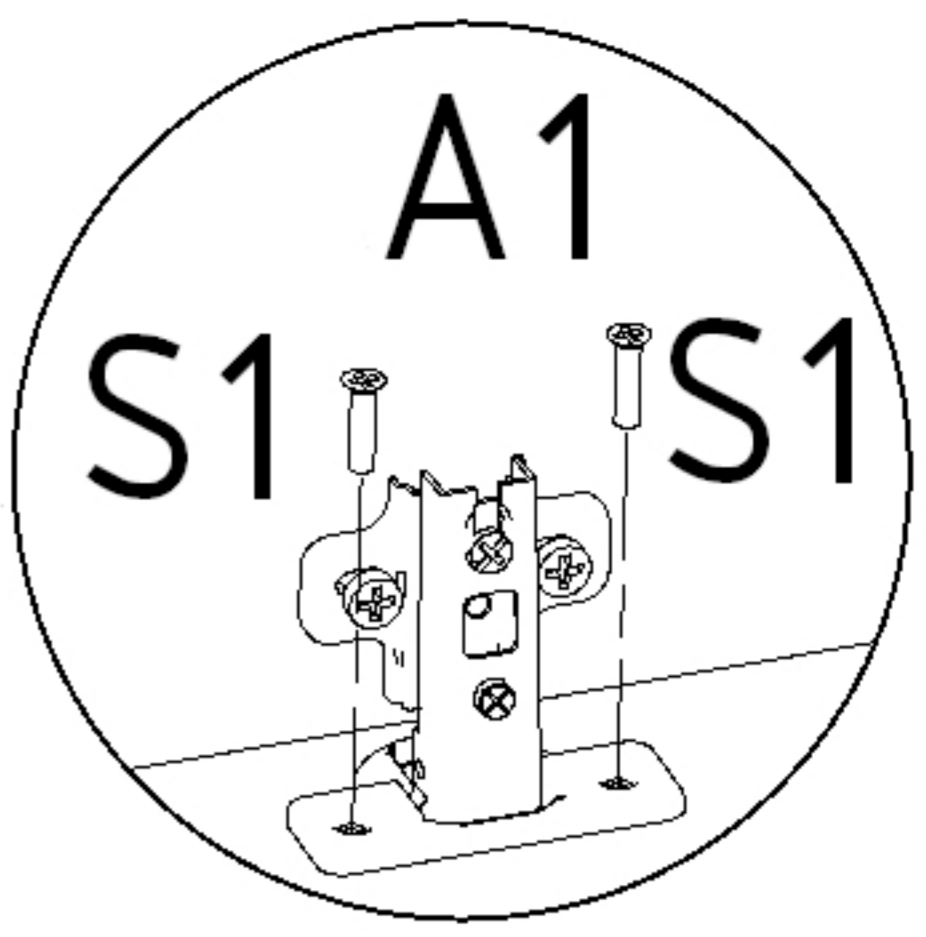




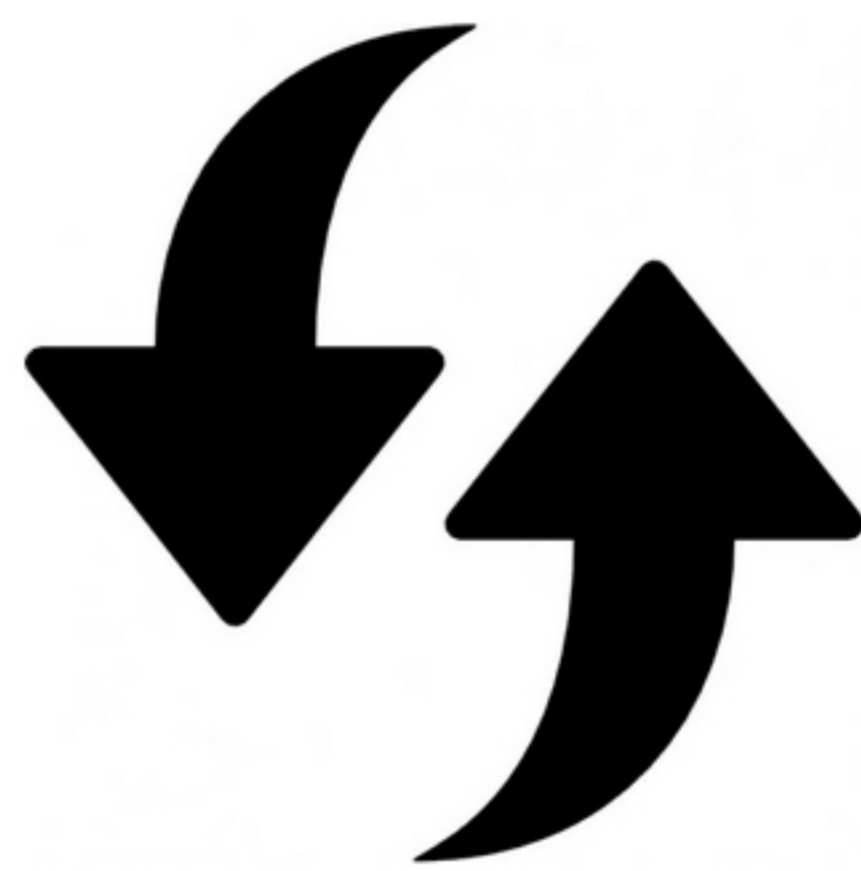
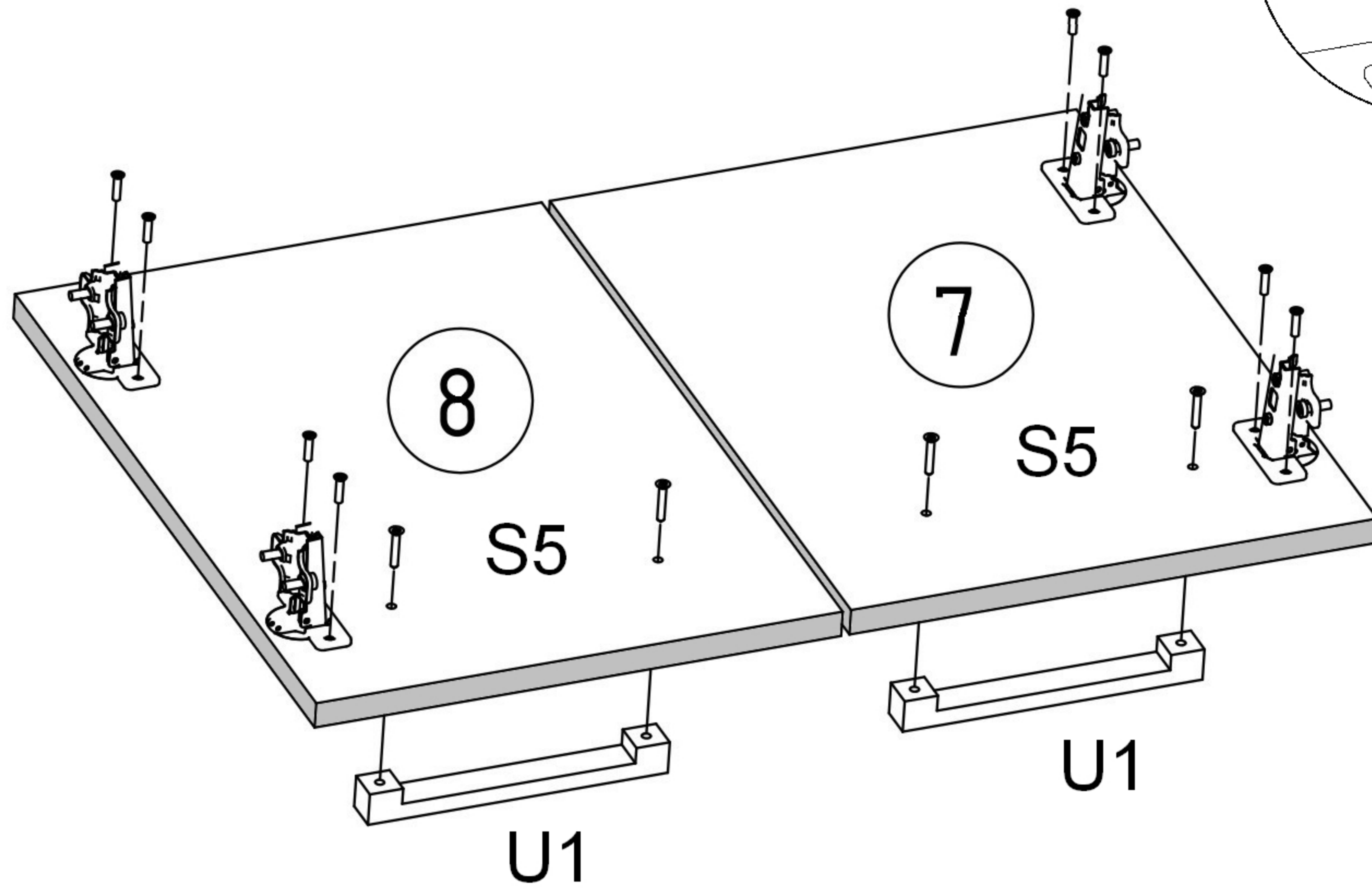
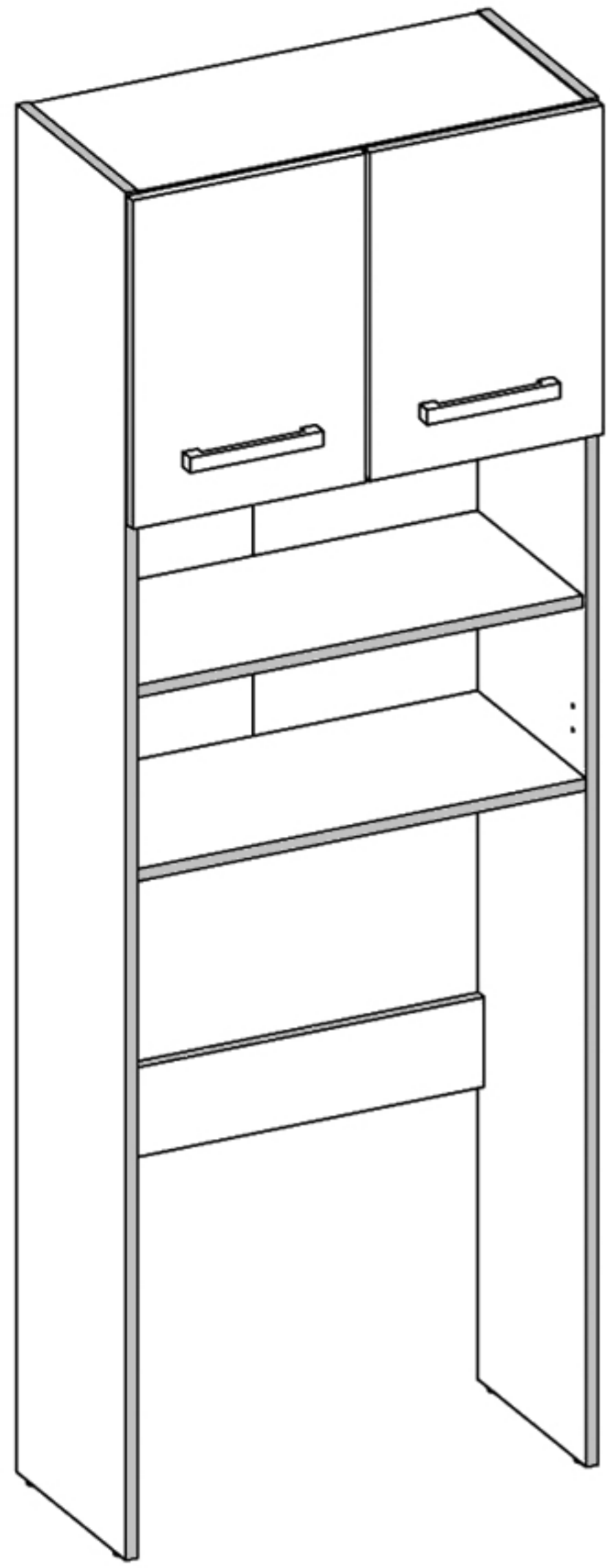
X = Y



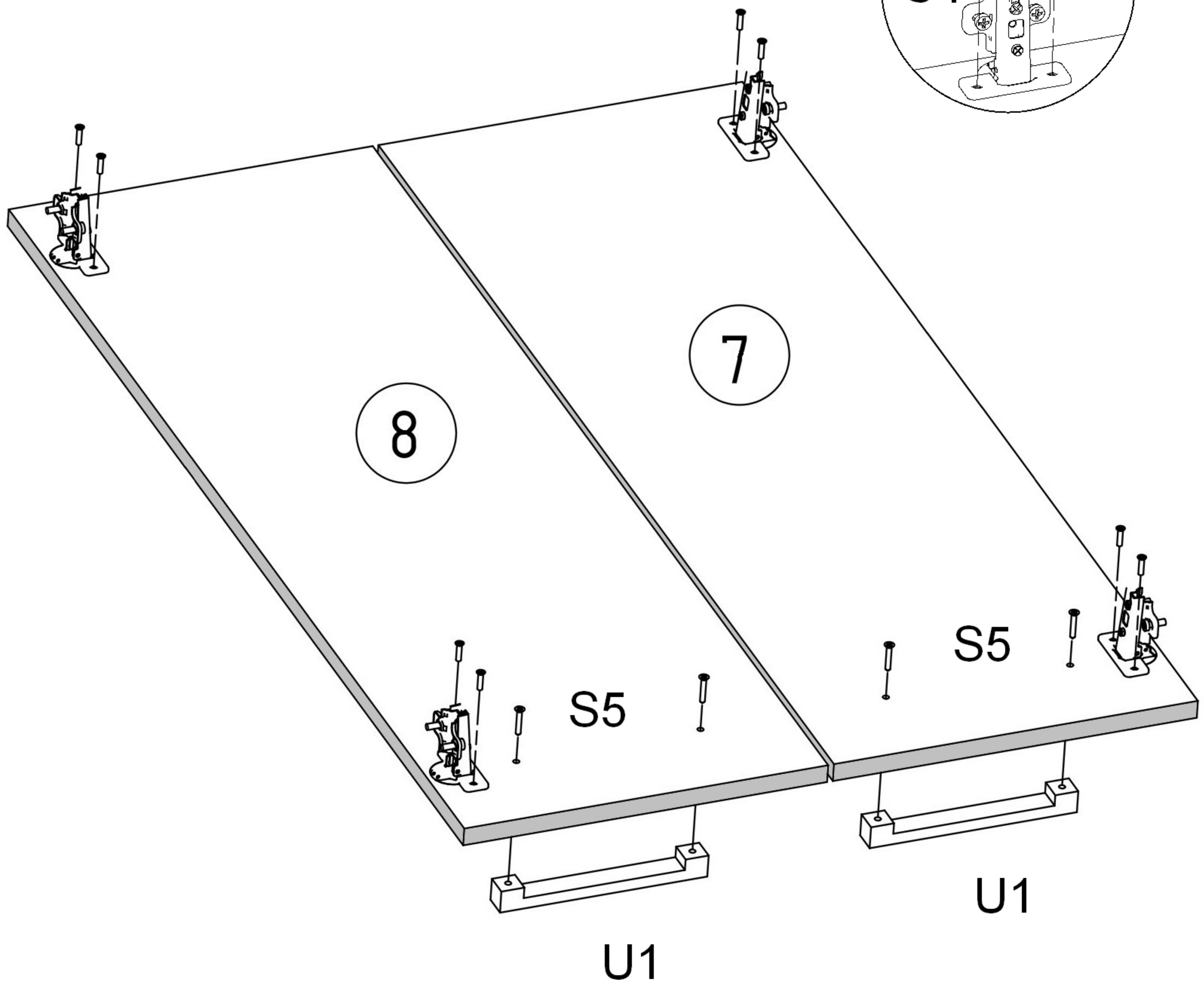
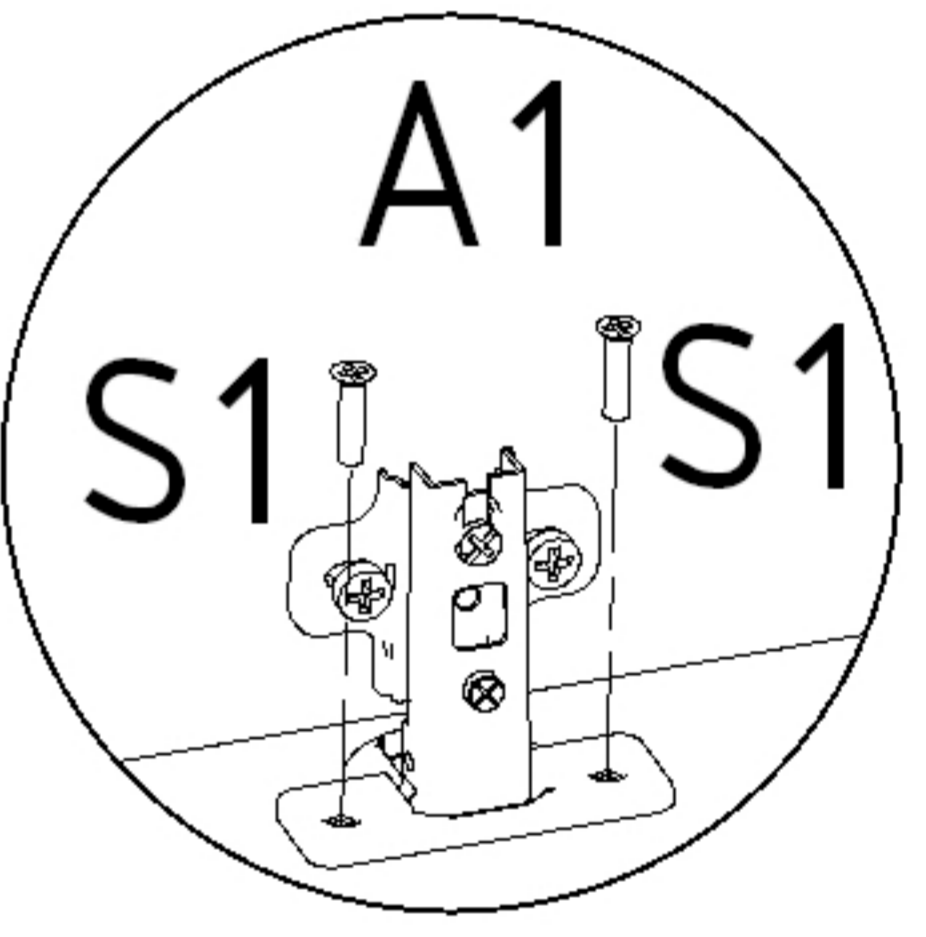
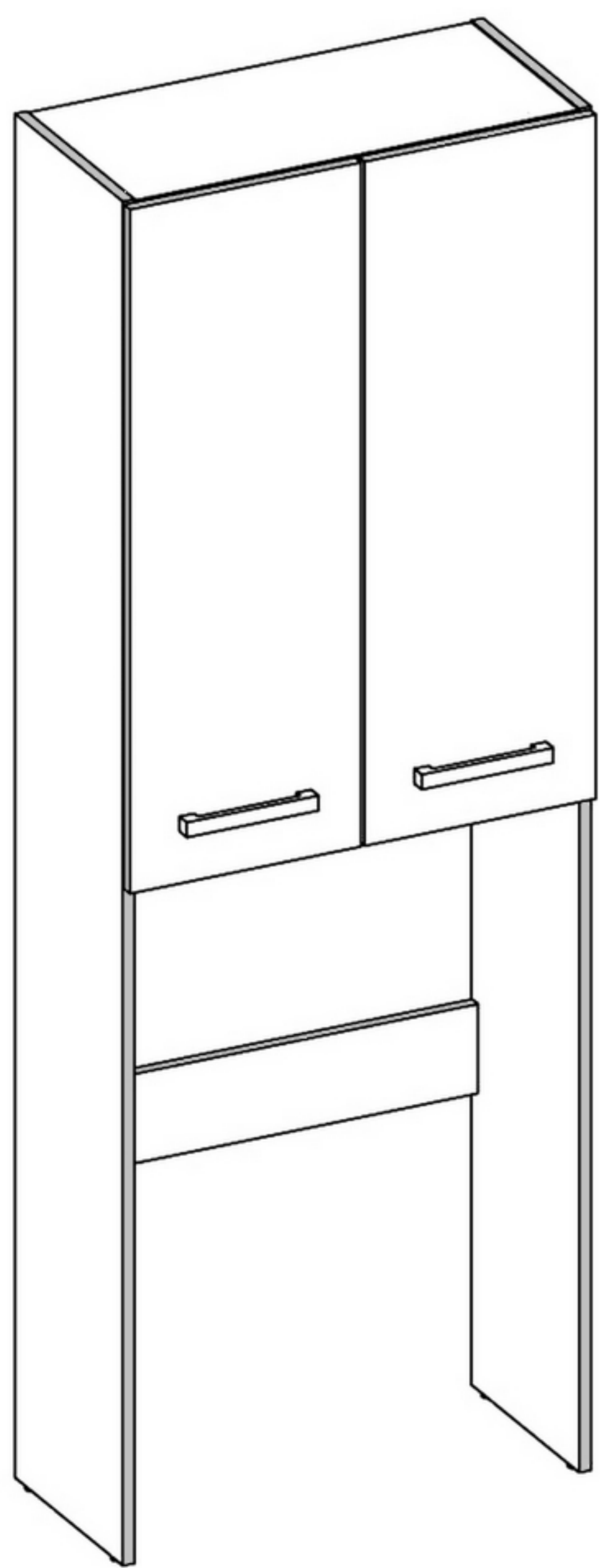
<p>A1</p>  <p>ZP x4</p>	<p>U1</p>  <p>L=180mm x2</p>	<p>S5</p>  <p>4x25mm x4</p>	<p>S1</p>  <p>3,5x16mm x8</p>
---	---	--	---

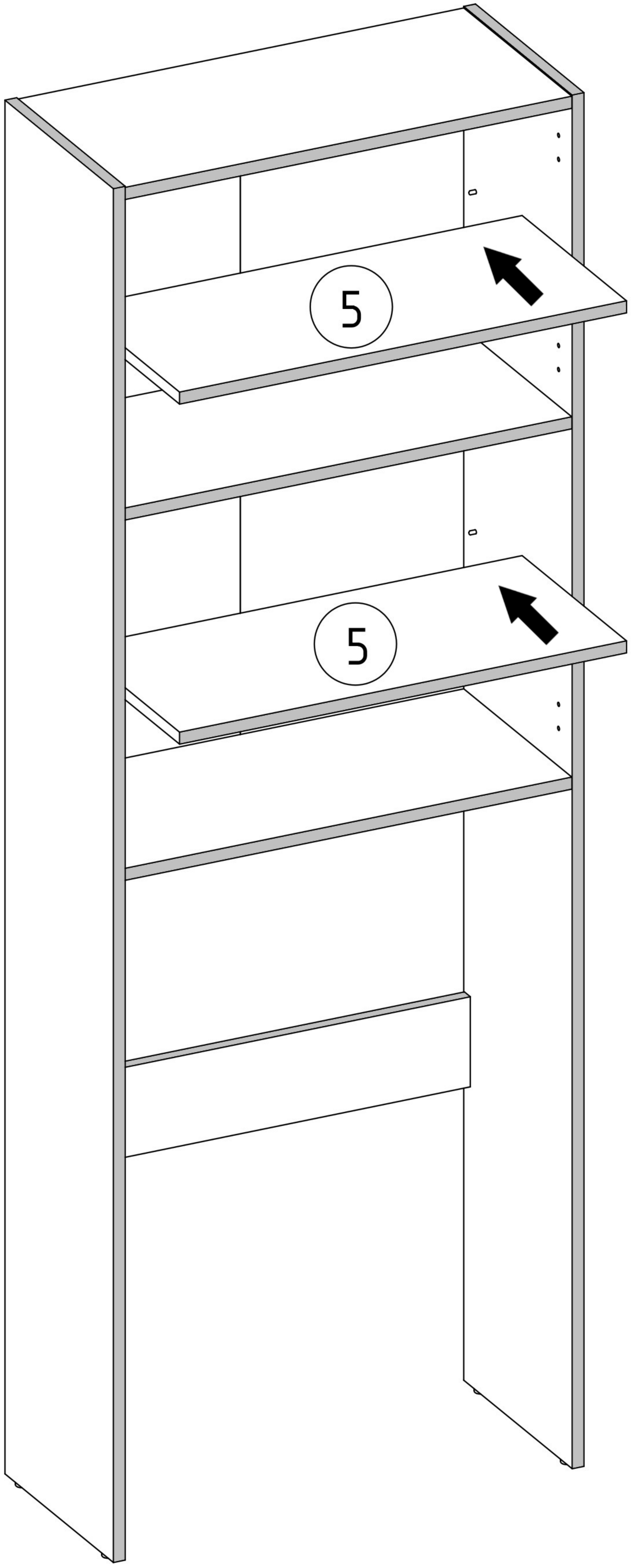


POLA DK

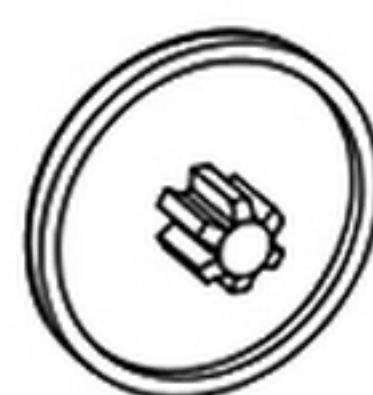


POLA DD





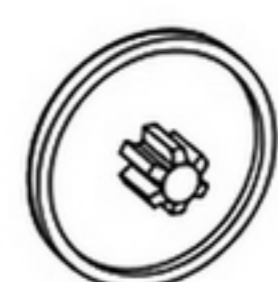
M2



ø15mm

x14

K5



ø6mm

x4

K2



x1

