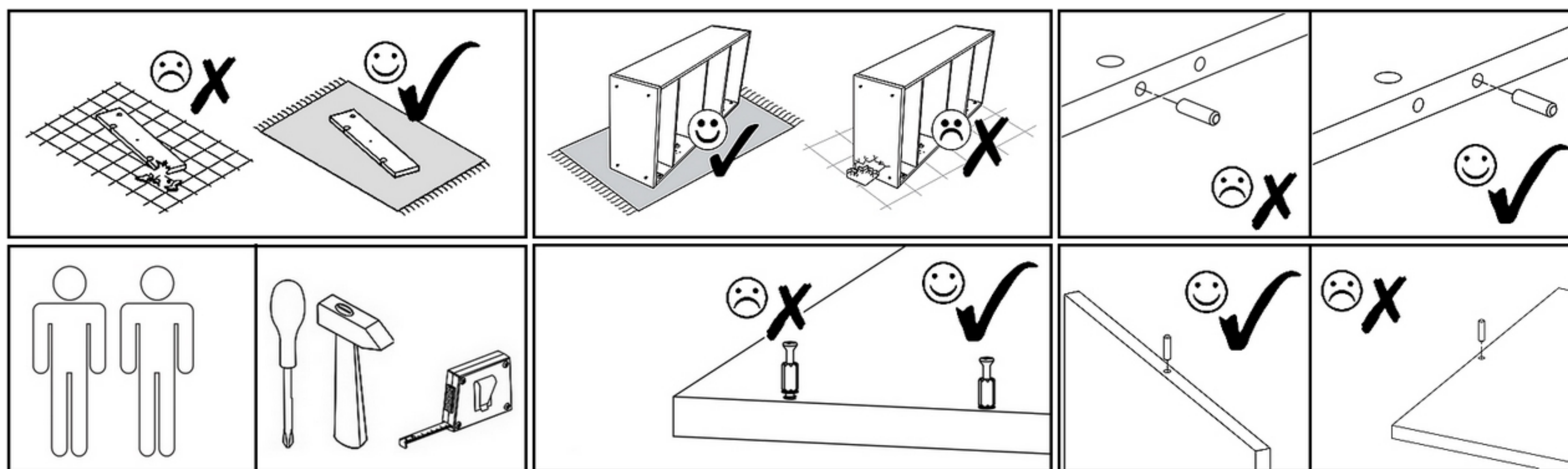
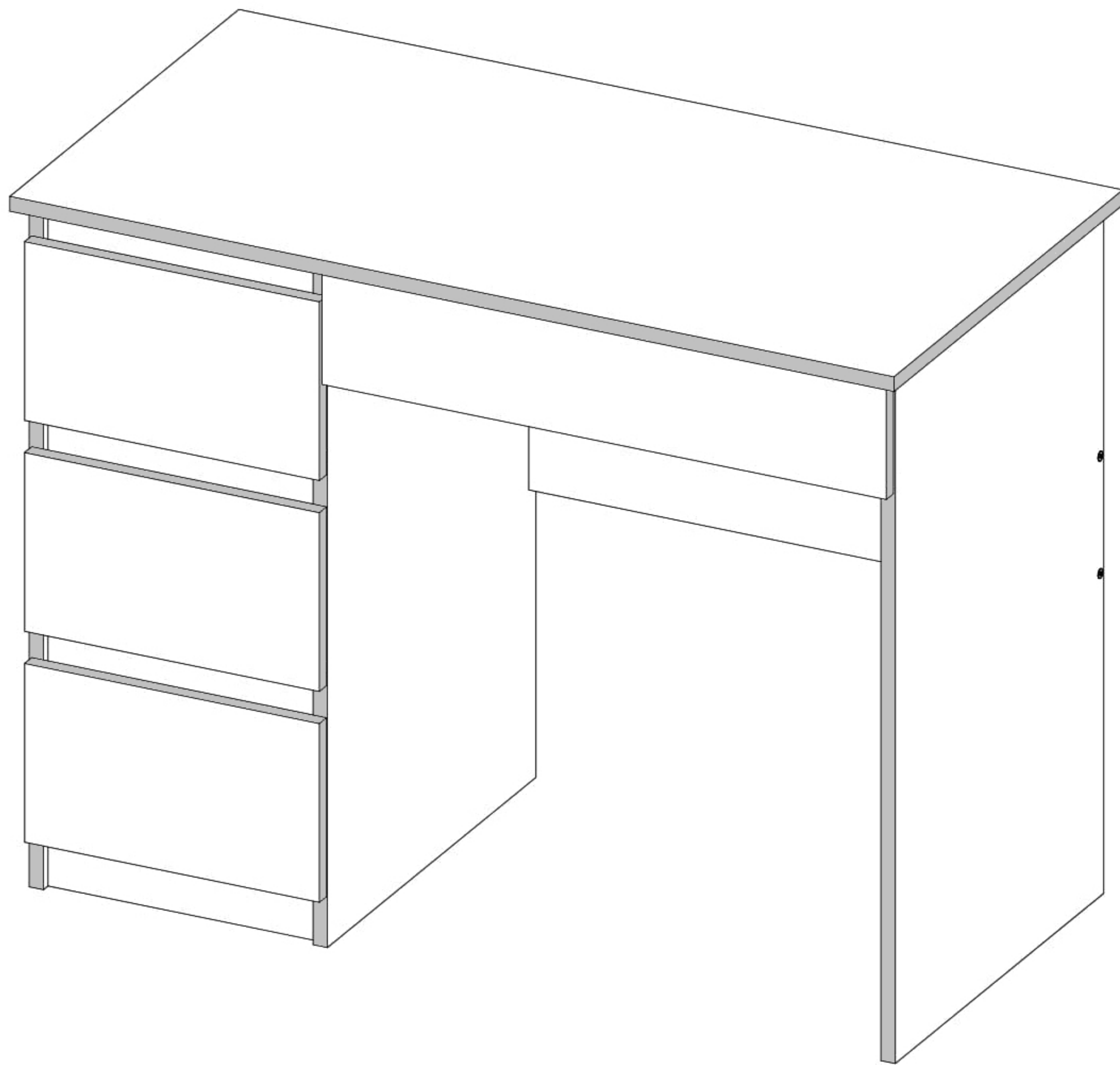
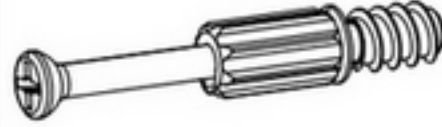




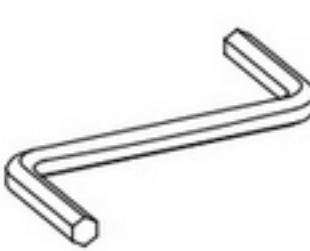
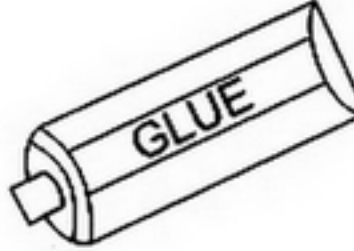


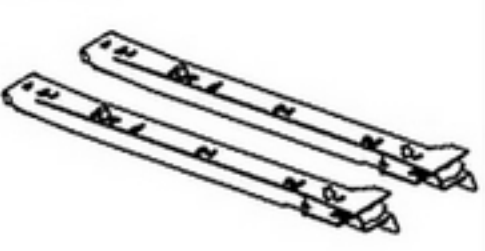
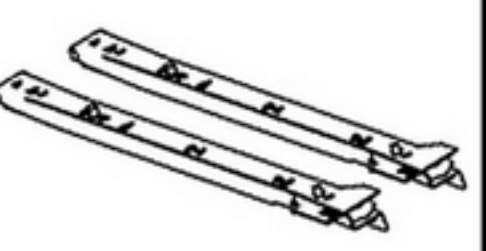

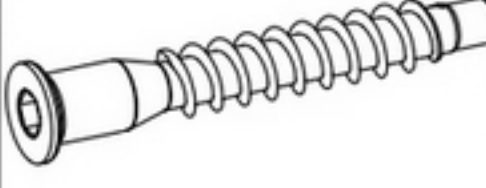
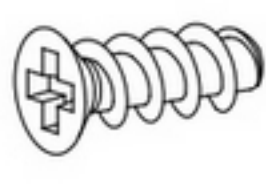
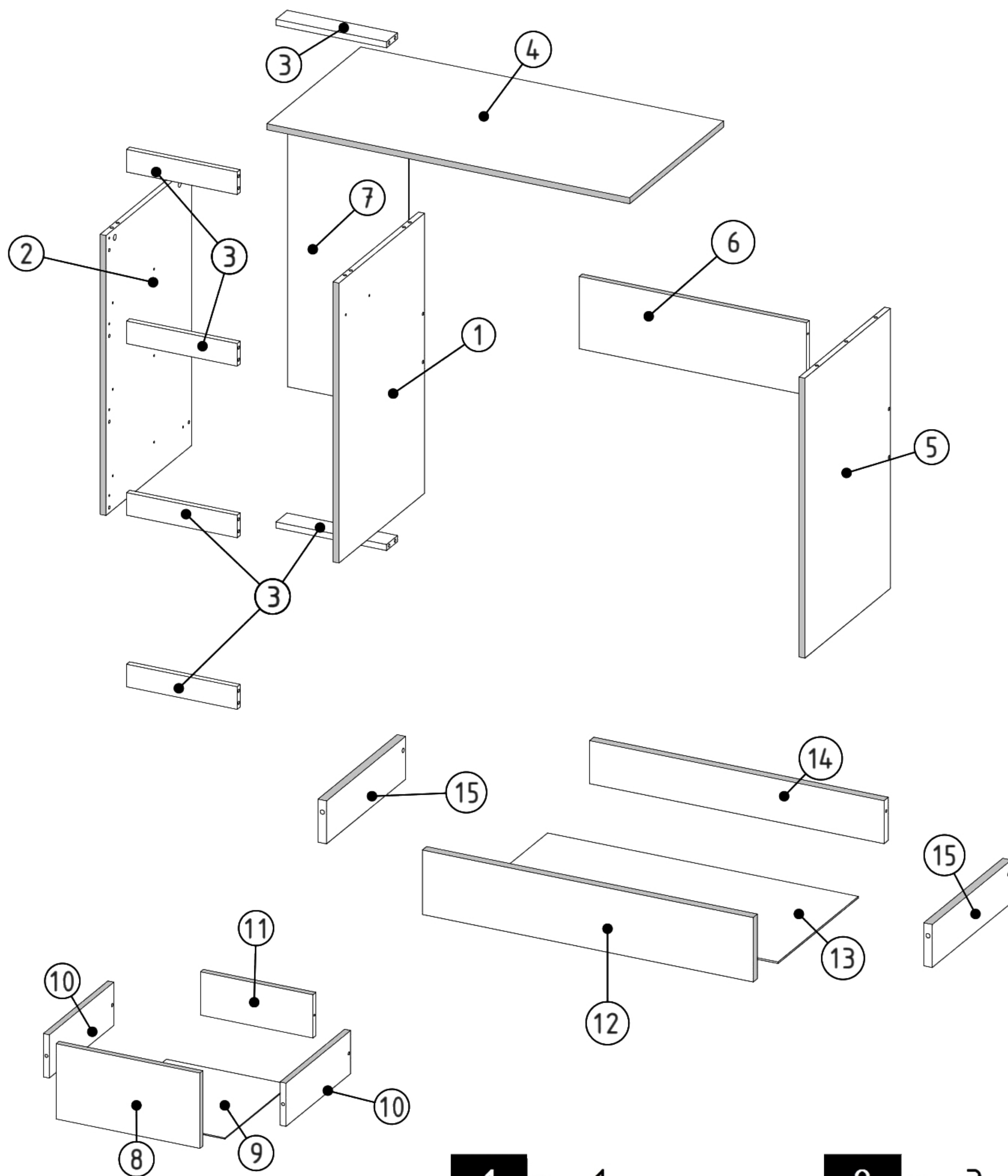


08/09/2021

## MIJAS L

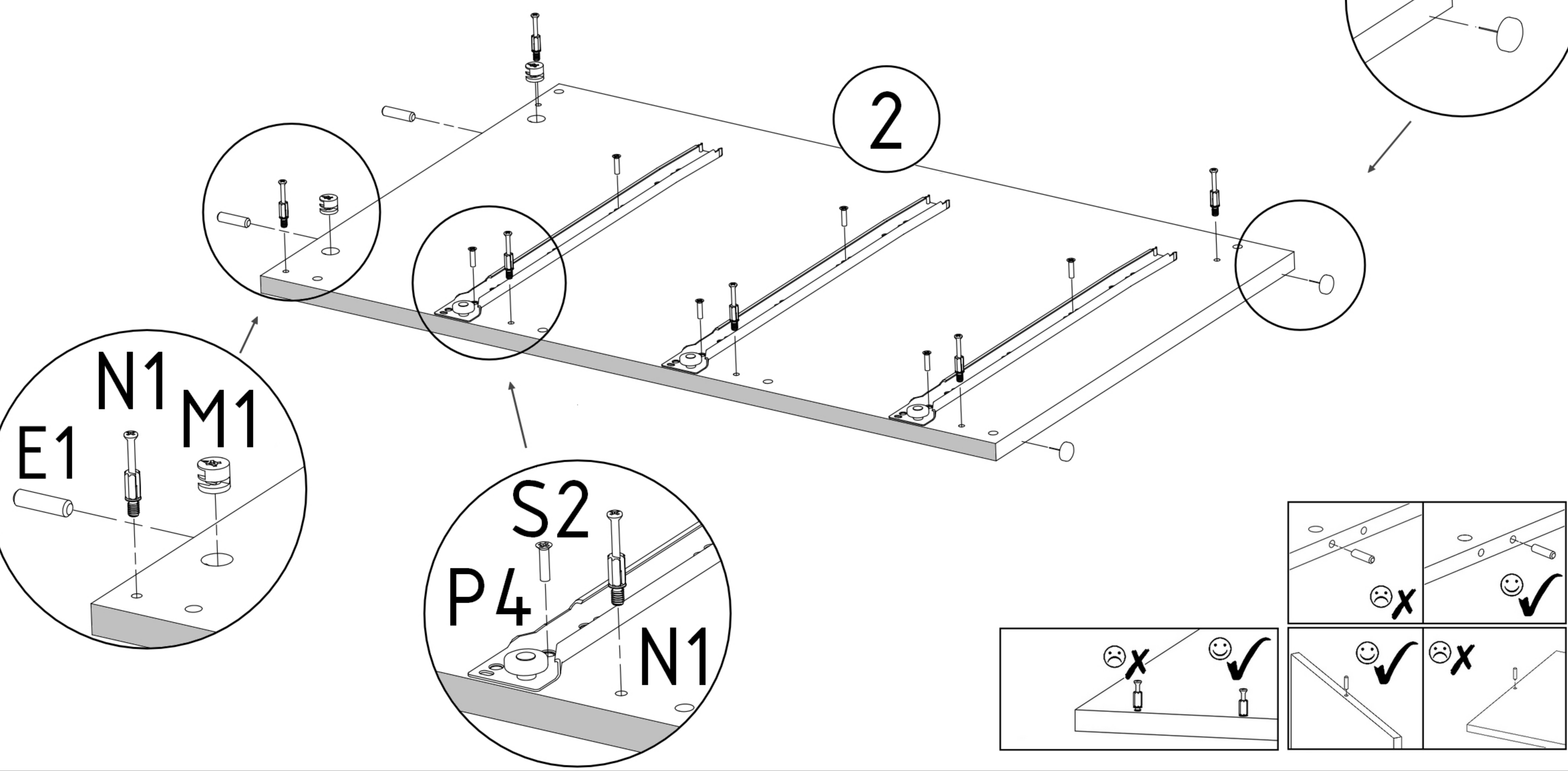
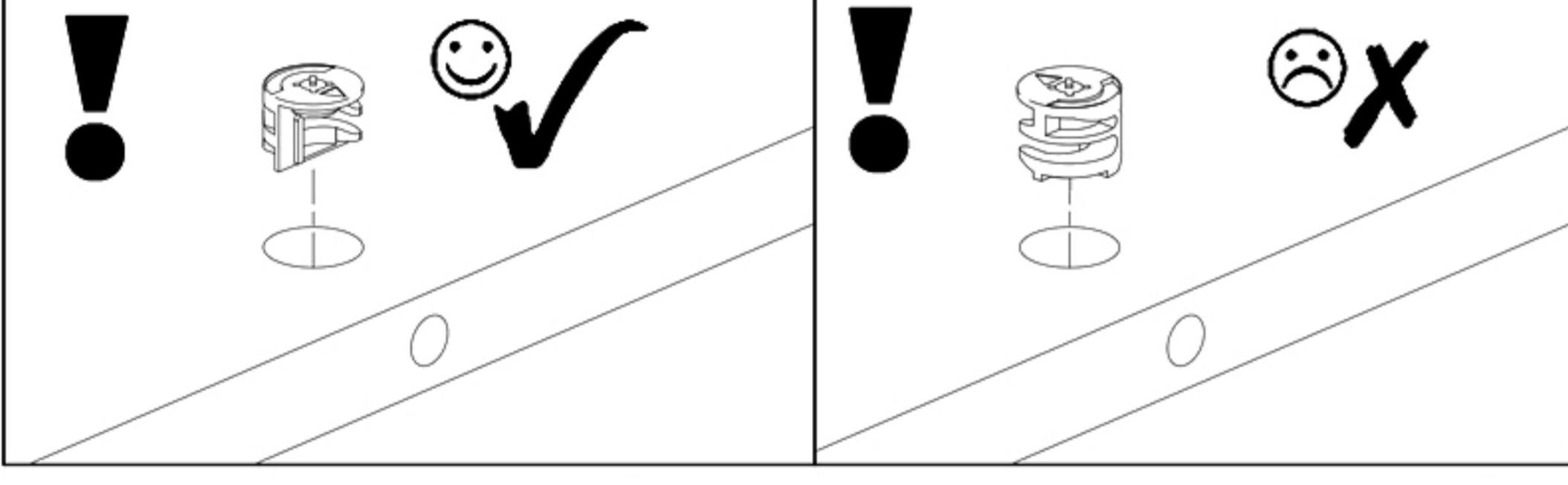
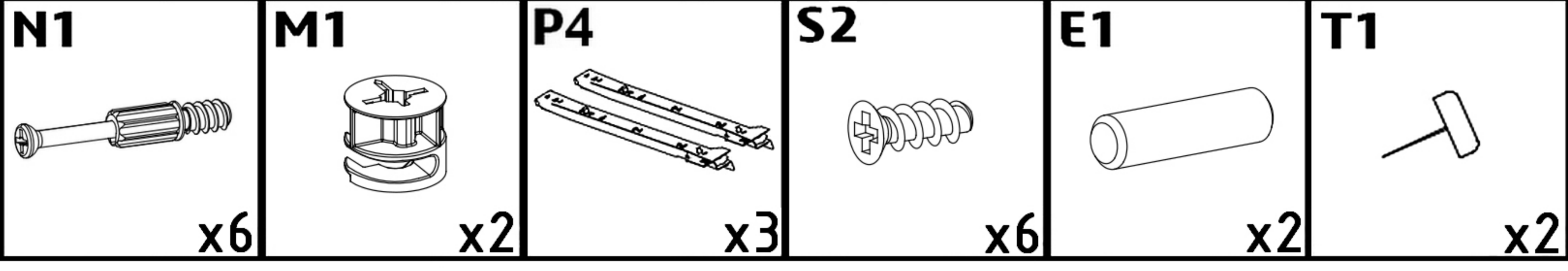
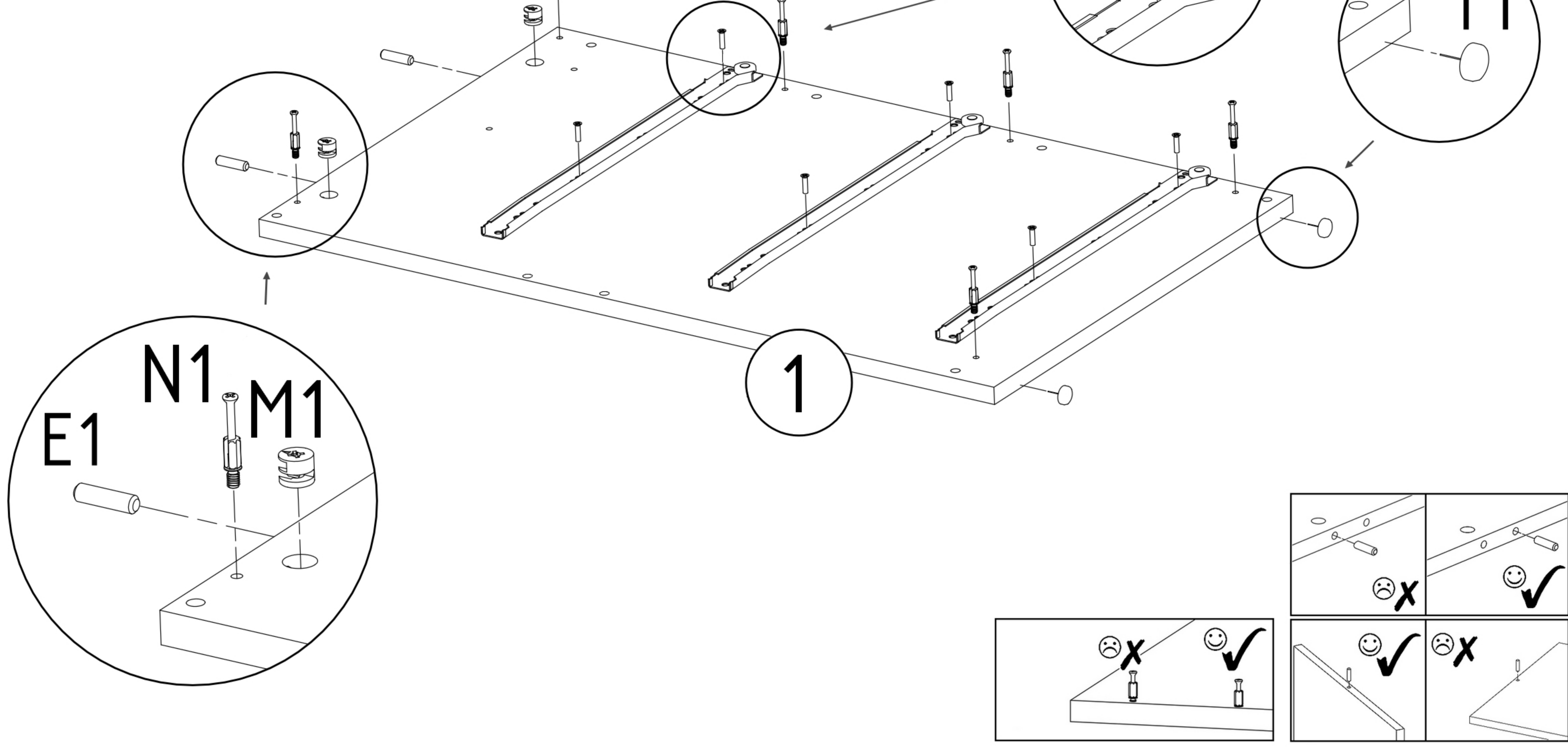
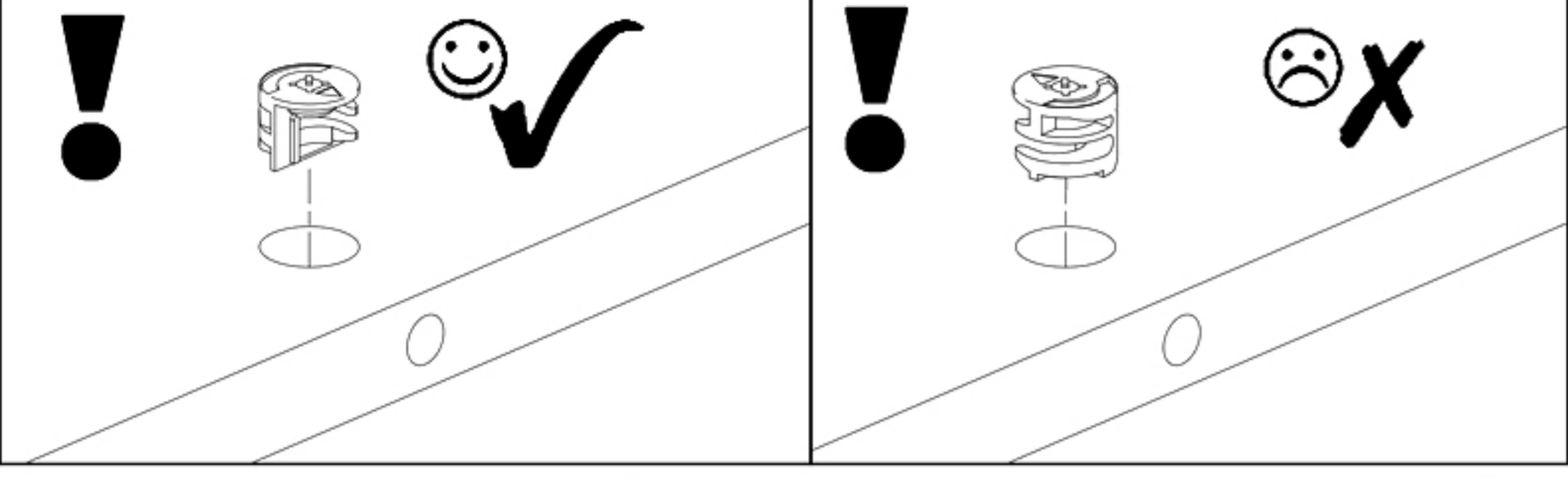
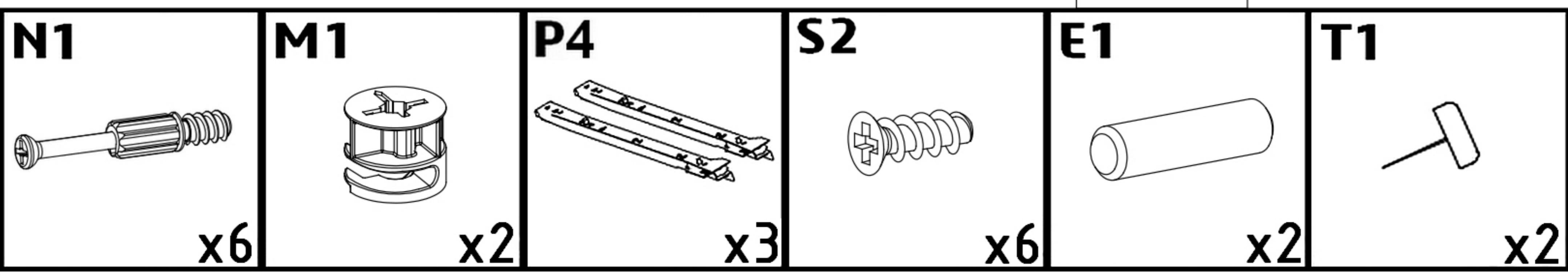


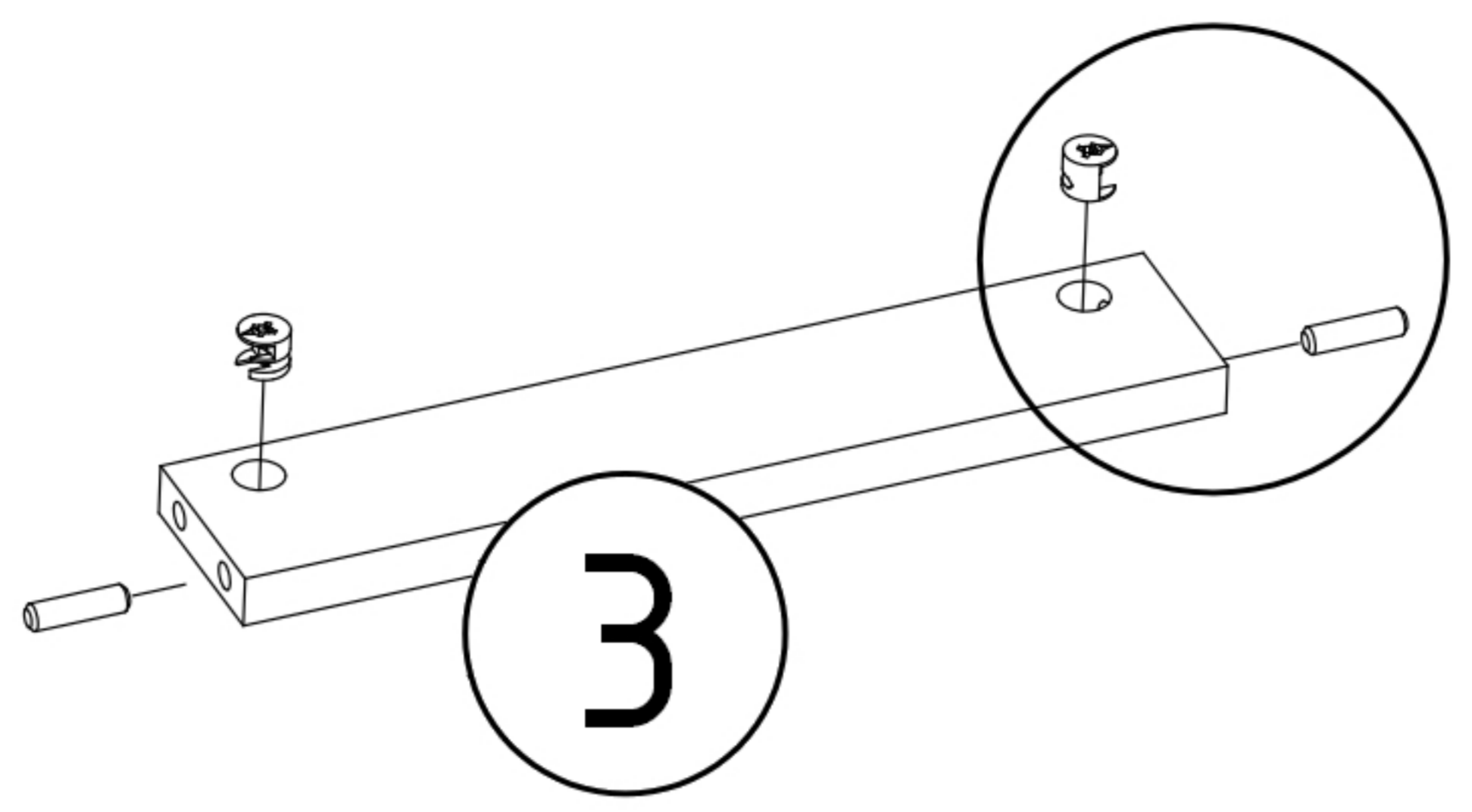
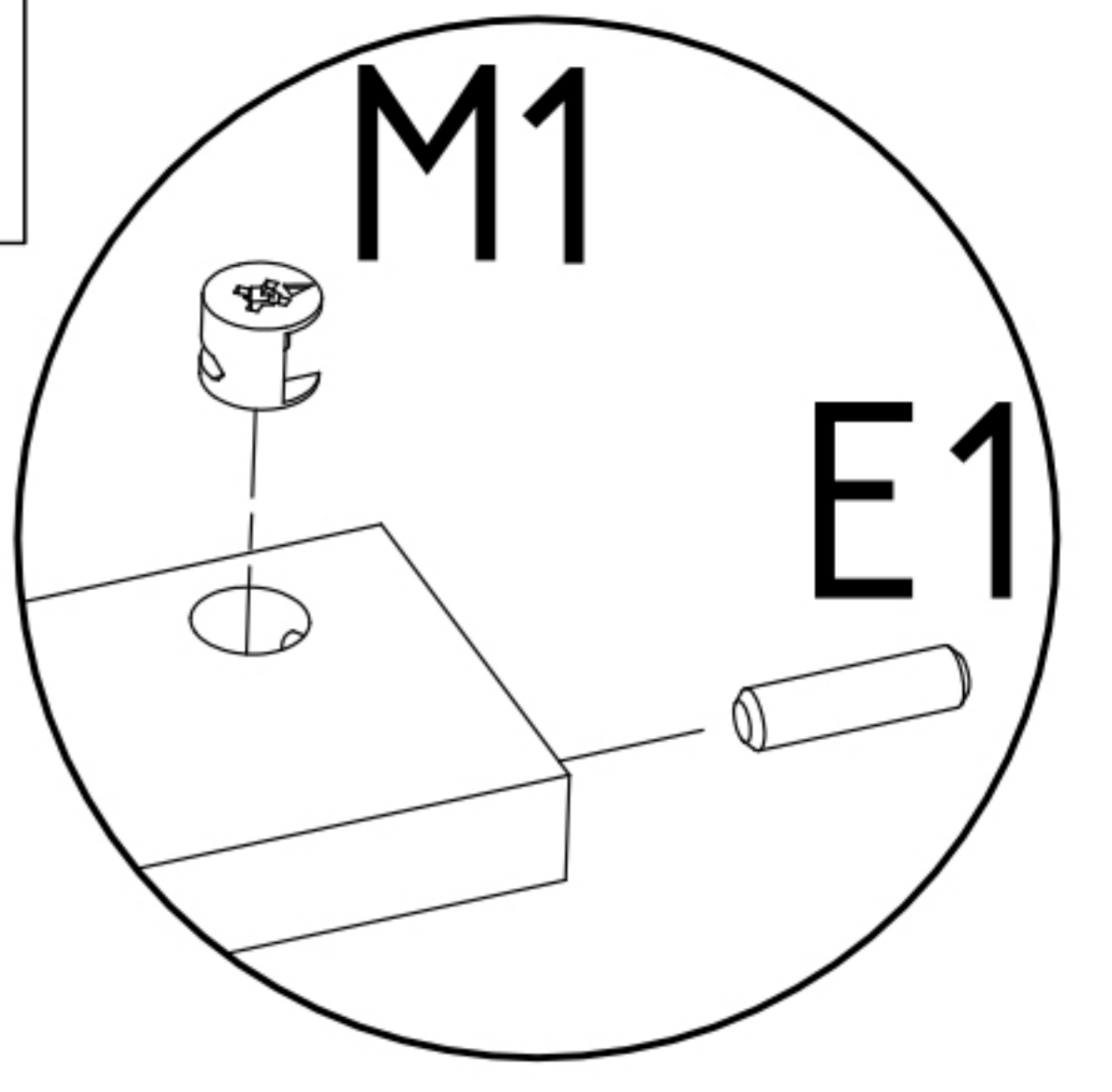
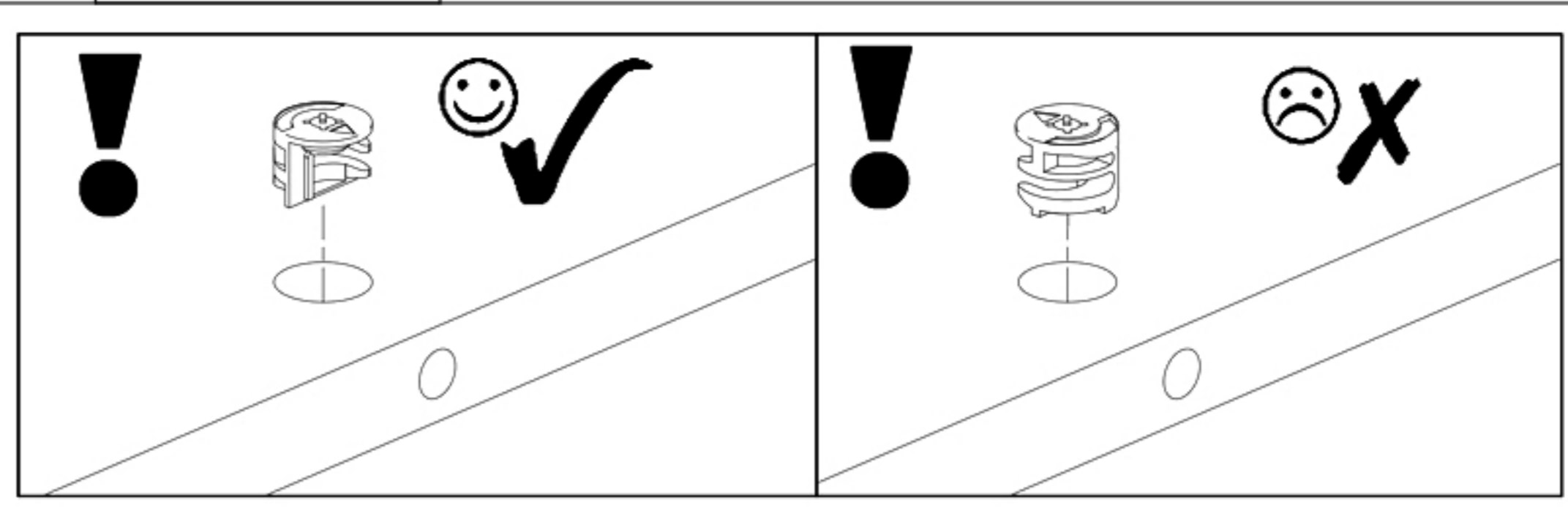
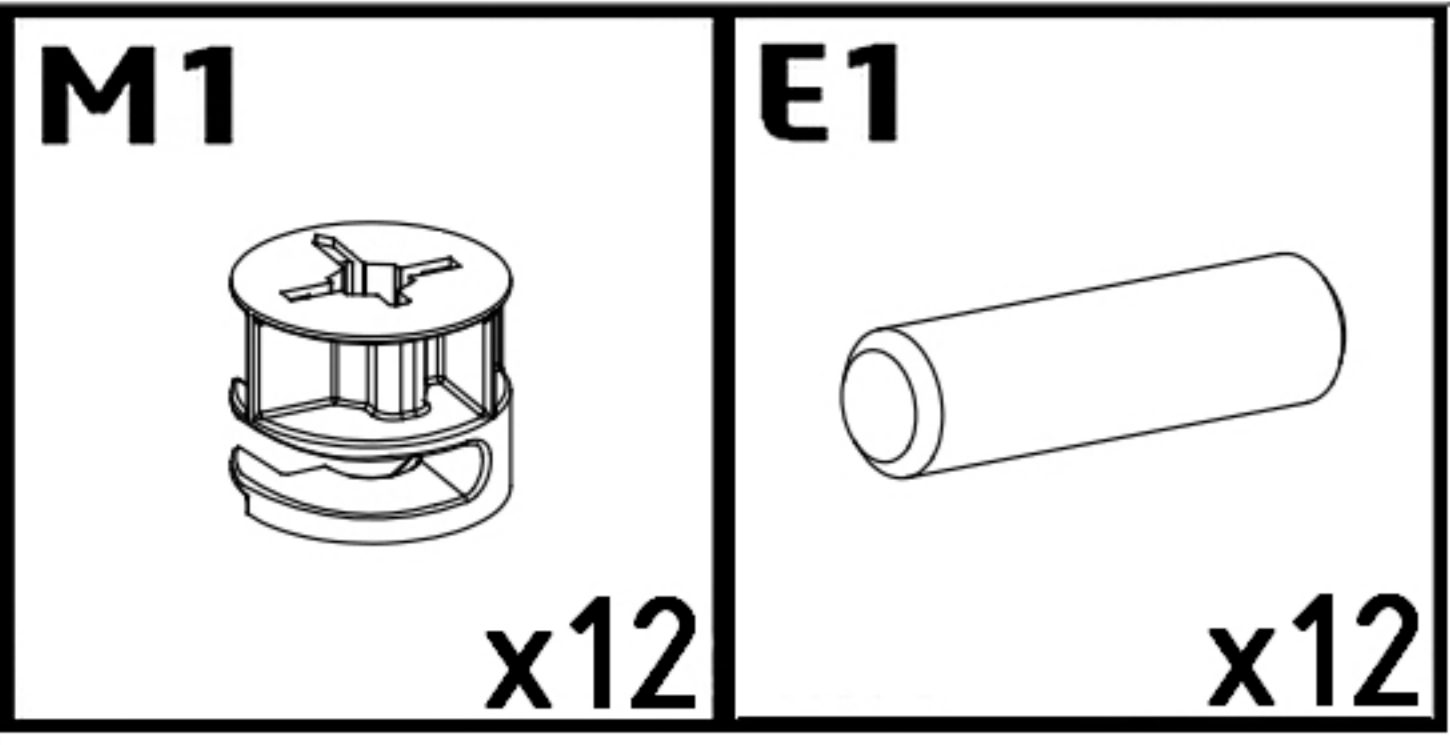
<b>N1</b>  L=34mm x24	<b>M1</b>  12x15mm x24	<b>F2</b>  ø12mm x2	<b>S1</b>  3,5x16mm x16	<b>E1</b>  8x30mm x19	<b>F3</b>  x1	<b>K1</b>  GLUE x1
<b>T1</b>  x6	<b>Z1</b>  x55	<b>P2</b>  L=300mm x1	<b>P4</b>  L=400mm x3	<b>M2</b>  ø17mm x8	<b>F1</b>  7x50mm x12	<b>S2</b>  6x8mm x16



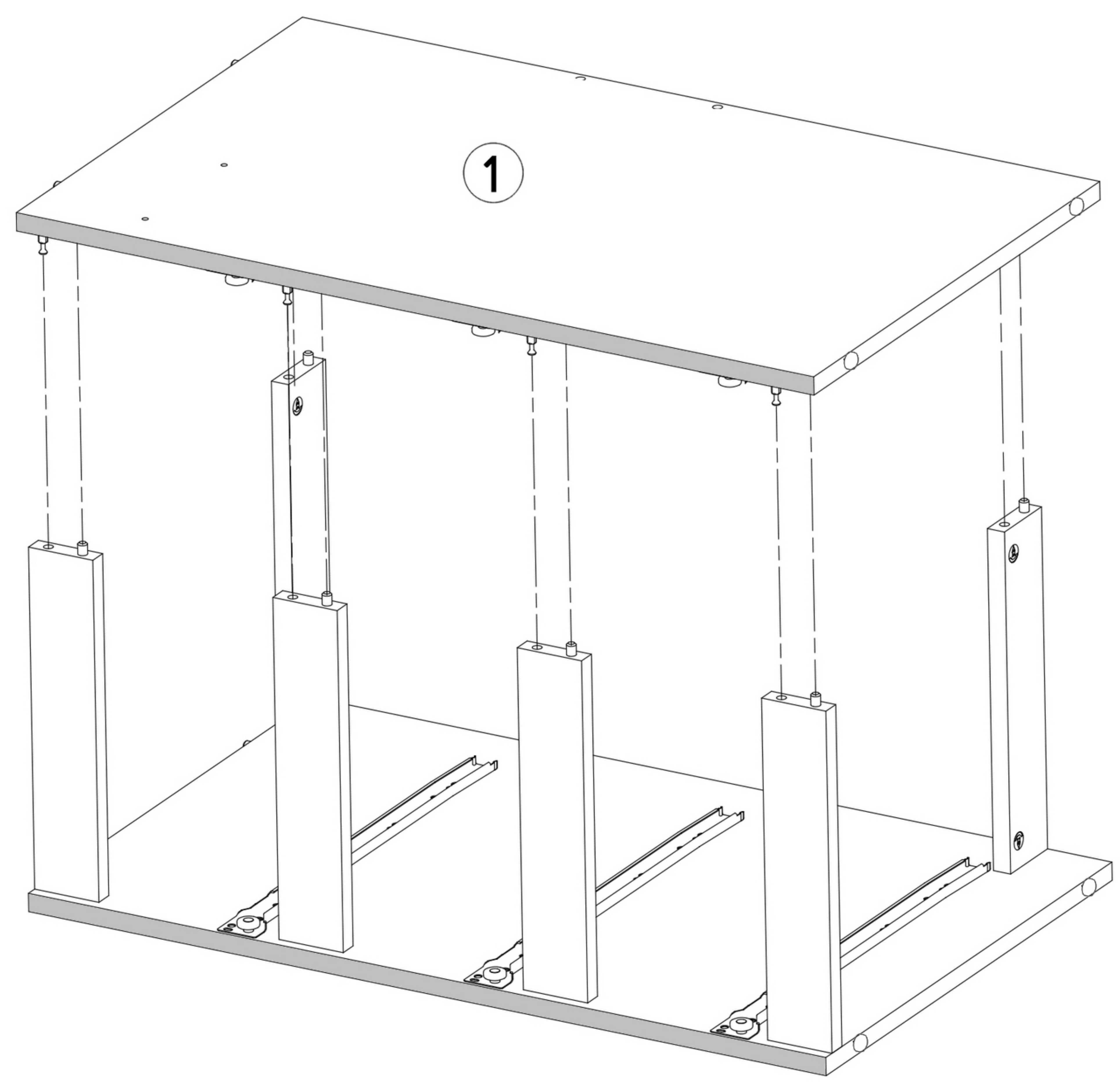
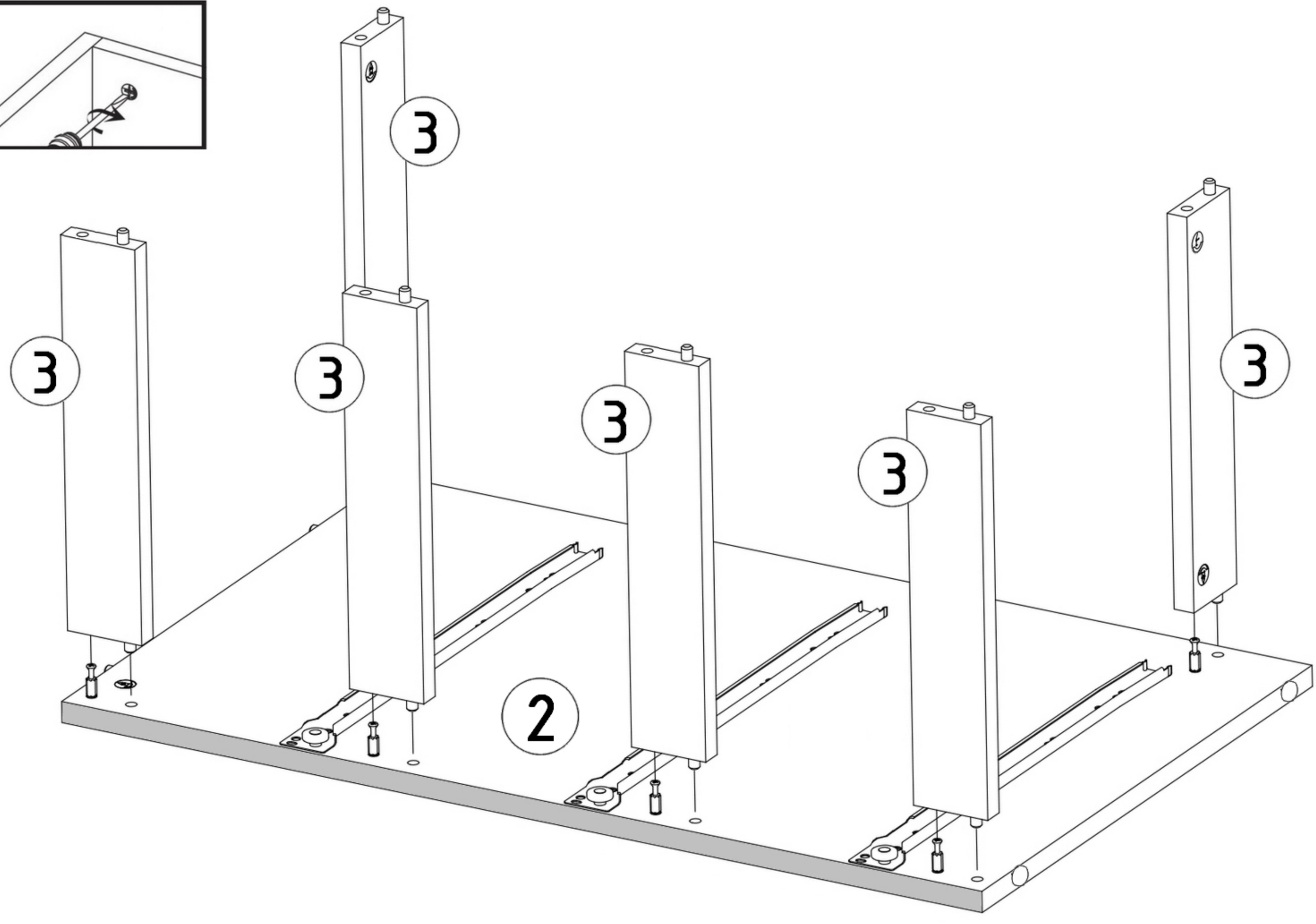
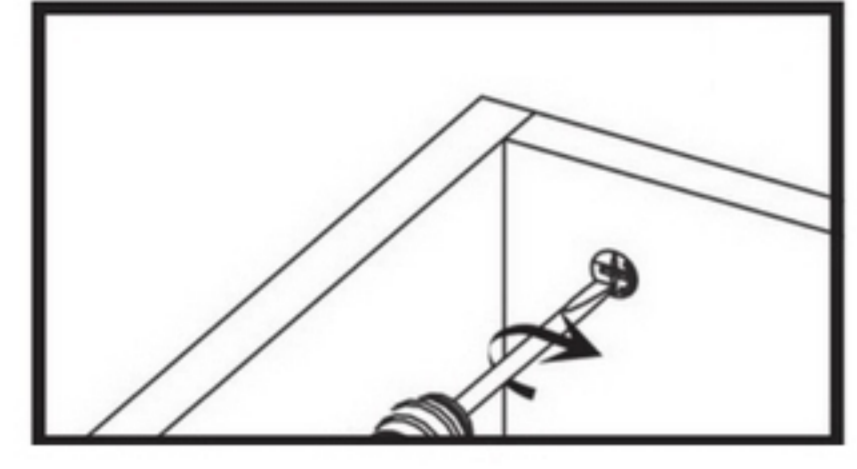
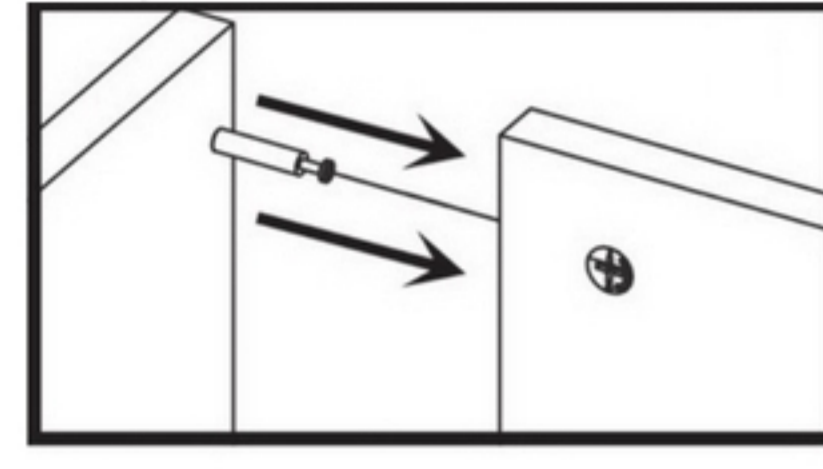
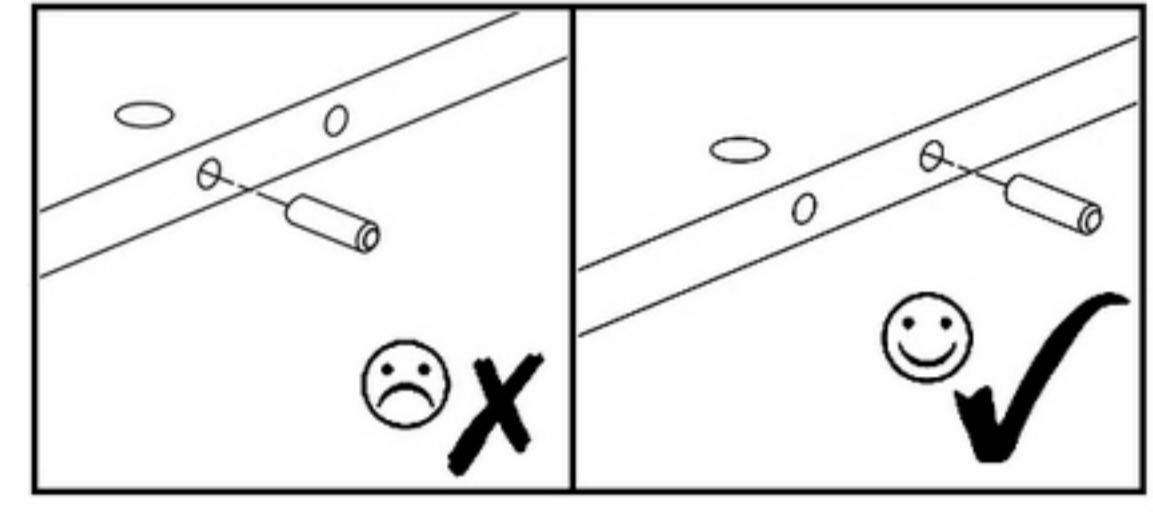
1	x	1
2	x	1
3	x	6
4	x	1
5	x	1
6	x	1
7	x	1
8	x	3




9	x	3
10	x	6
11	x	3
12	x	1
13	x	1
14	x	1
15	x	2

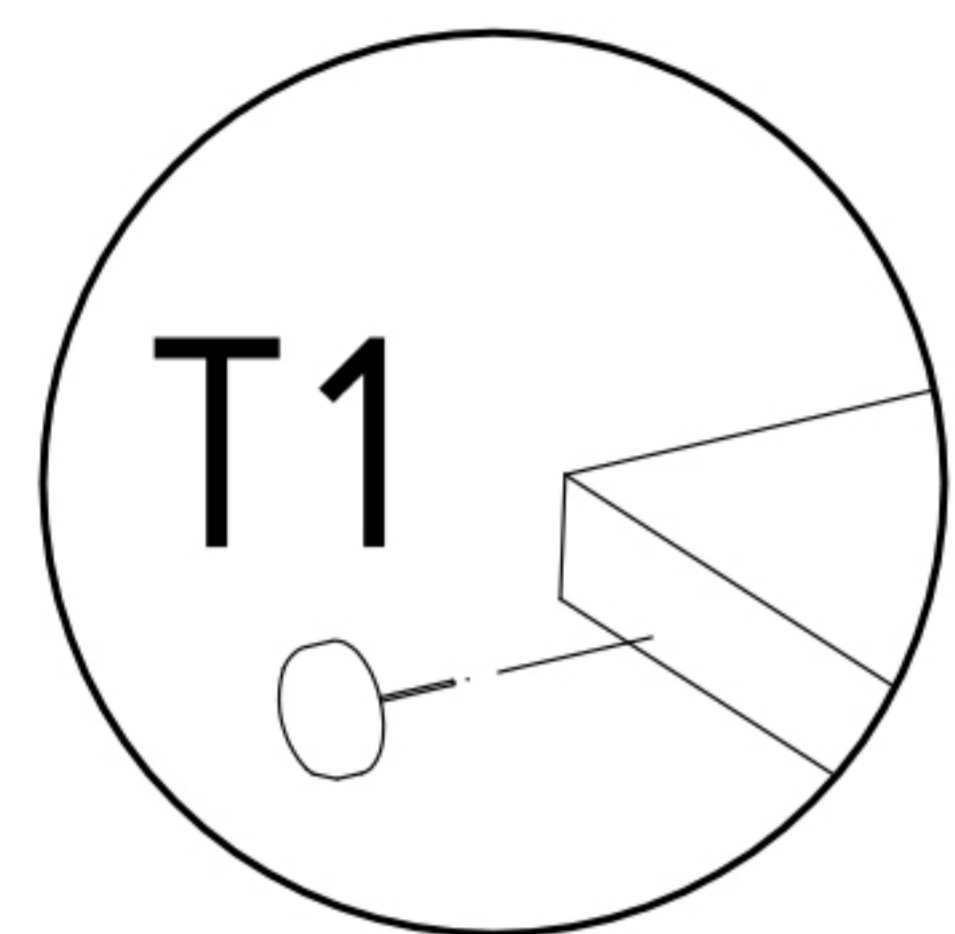
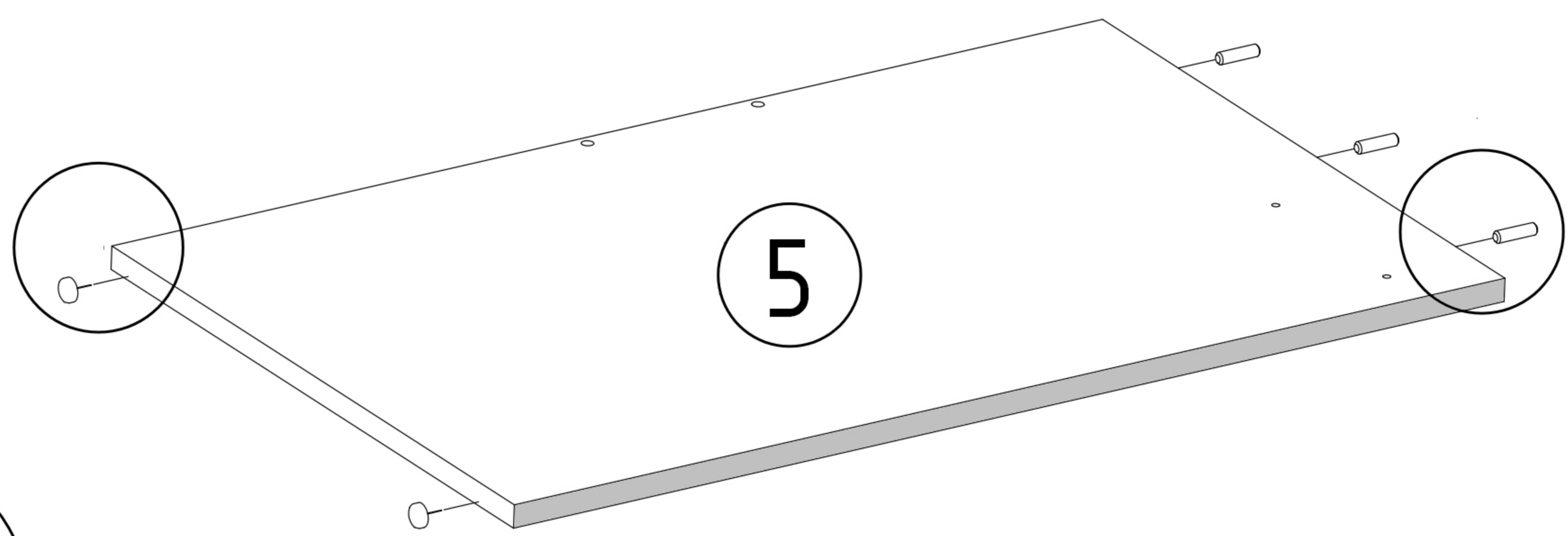
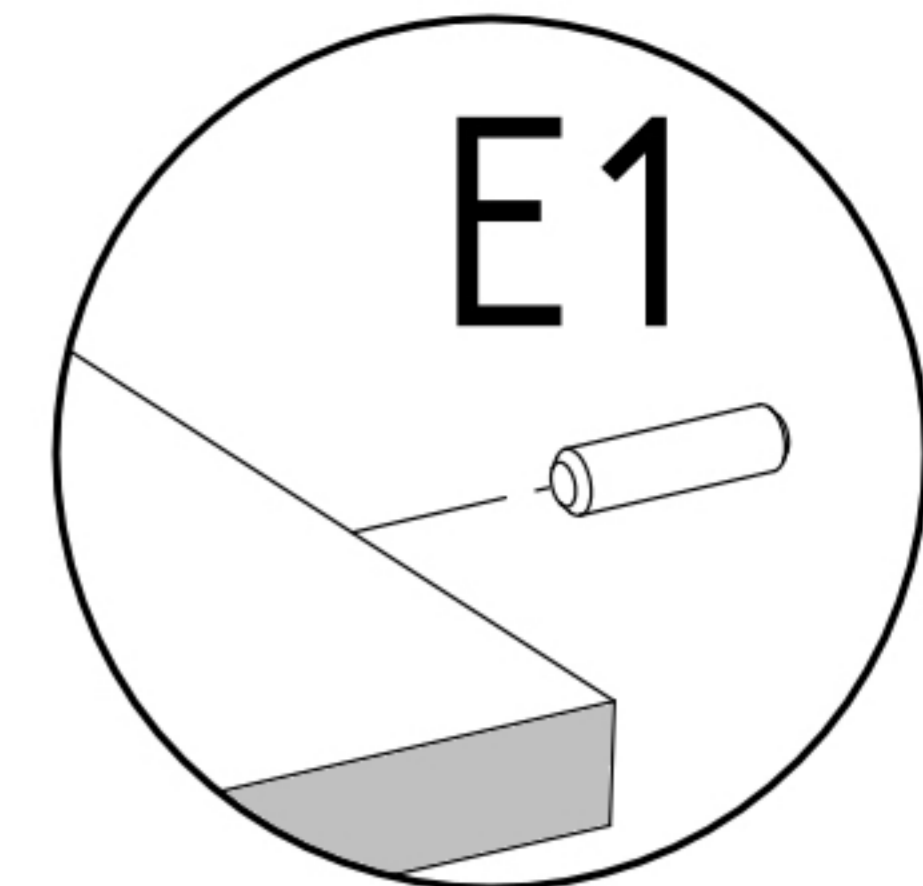
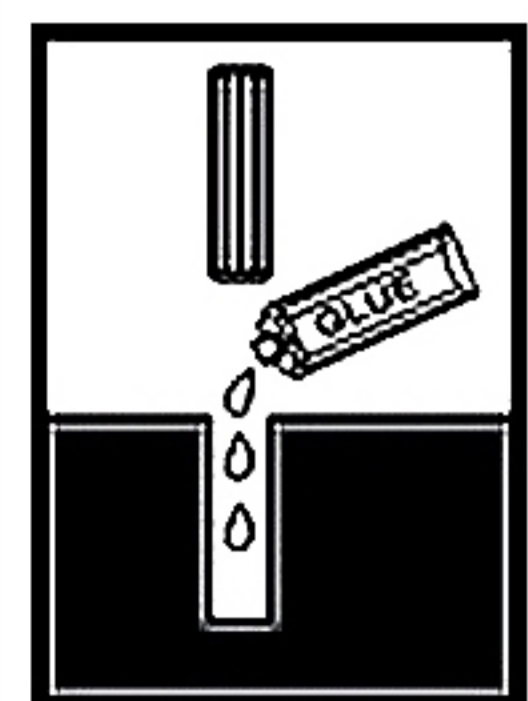


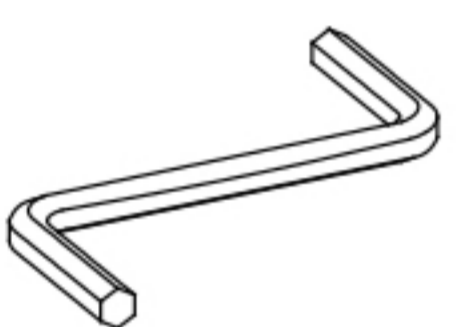
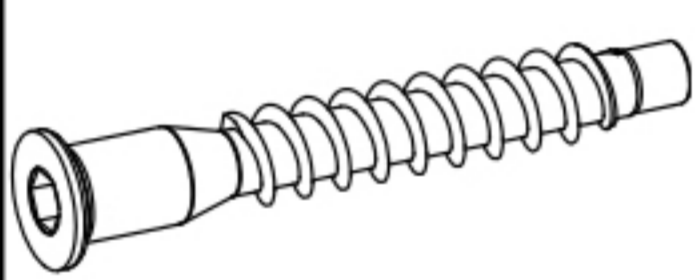


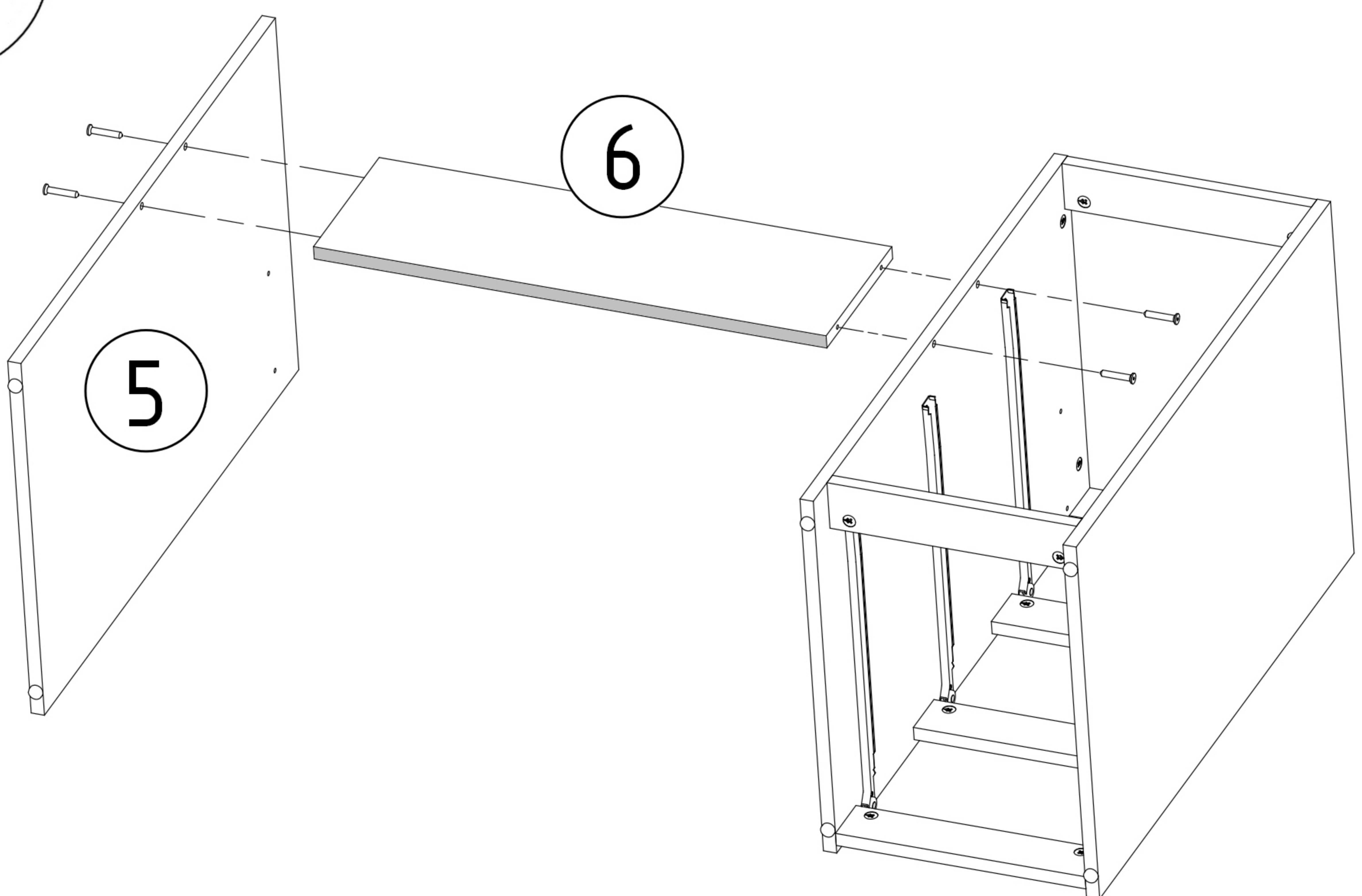
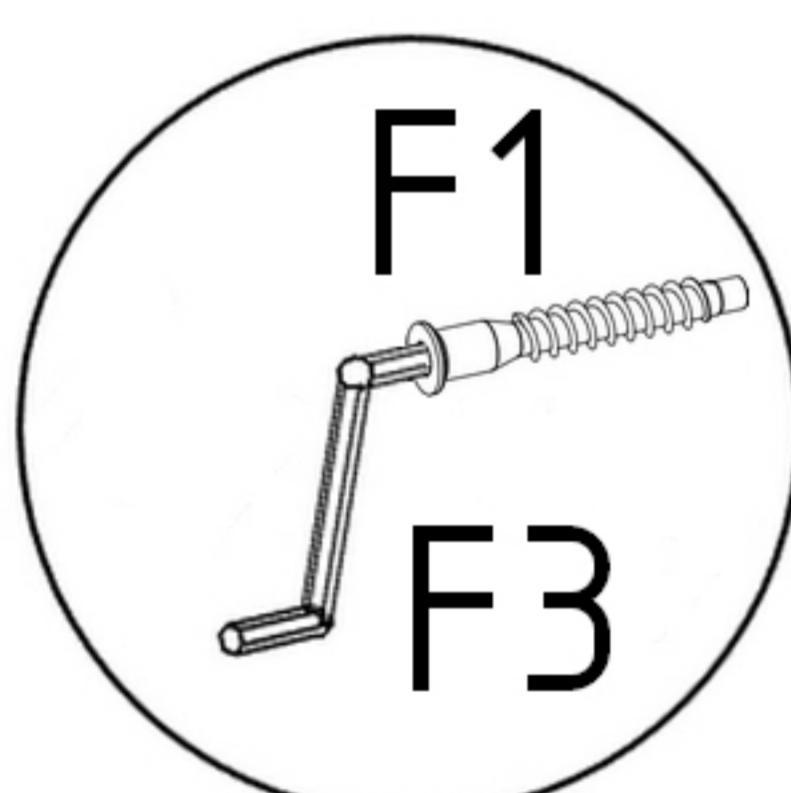
x6

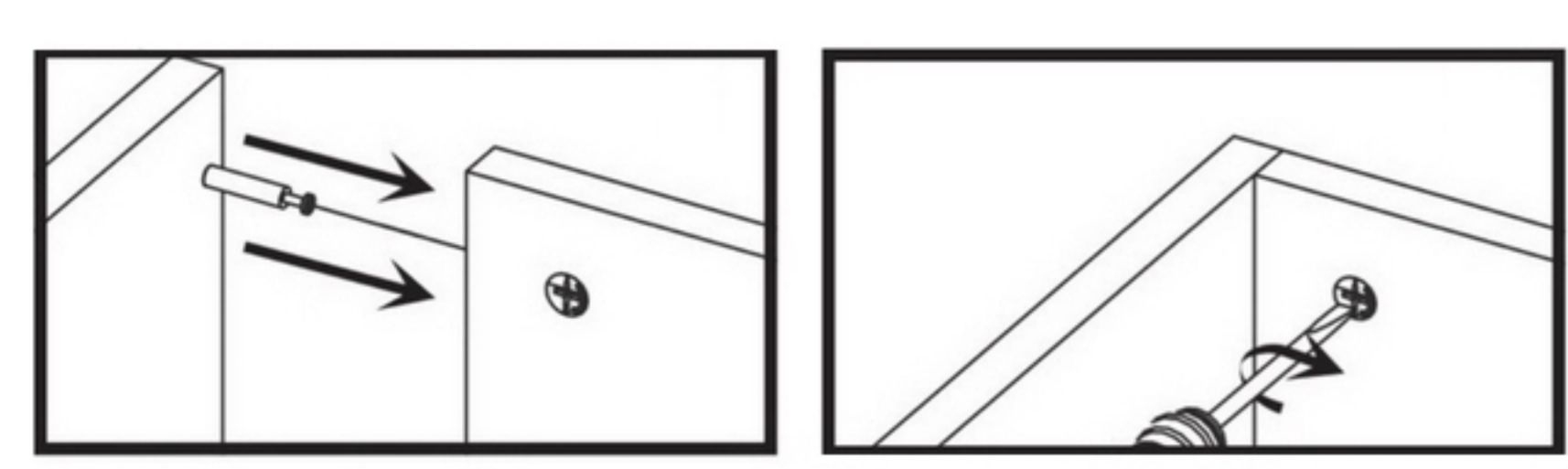
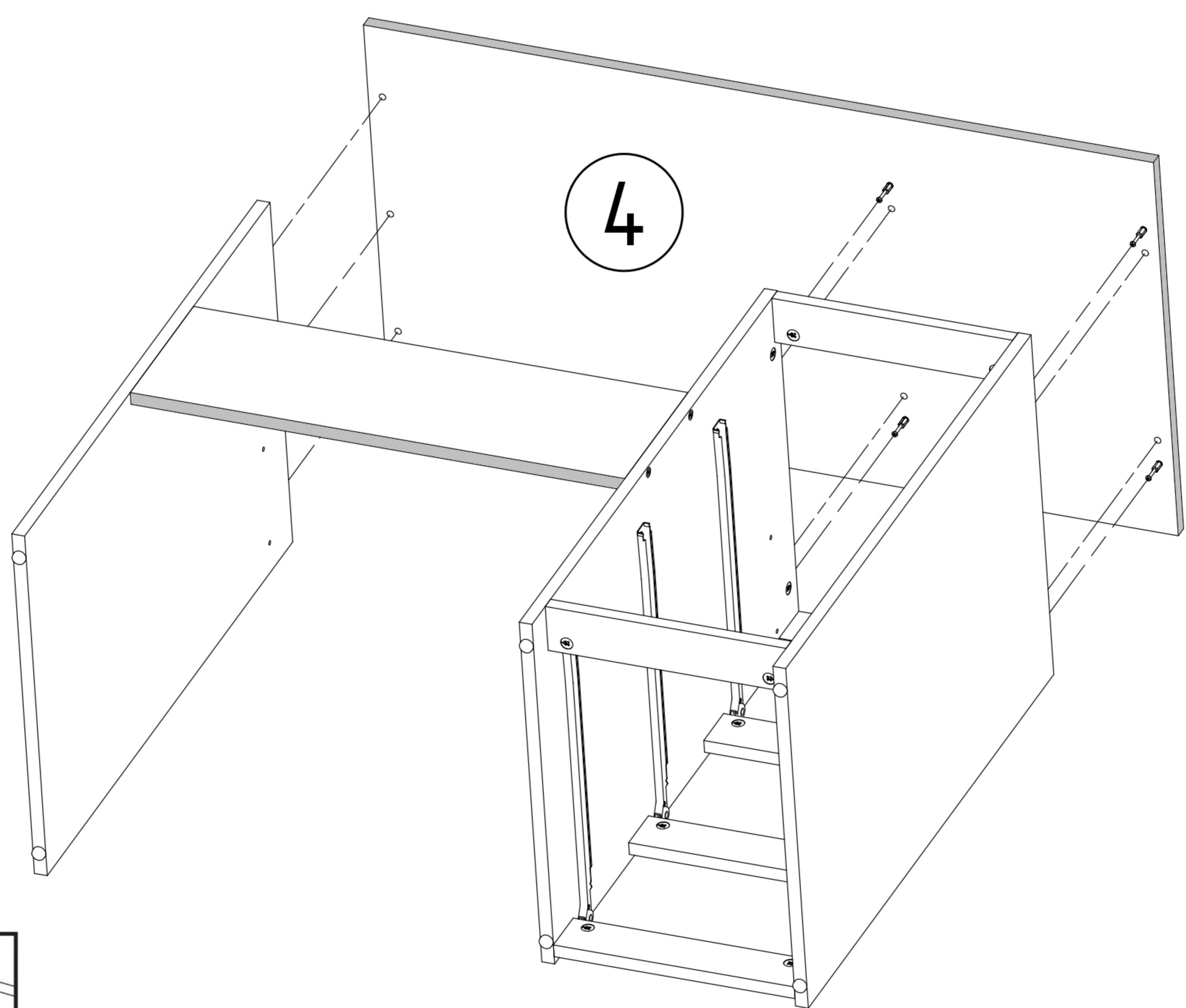
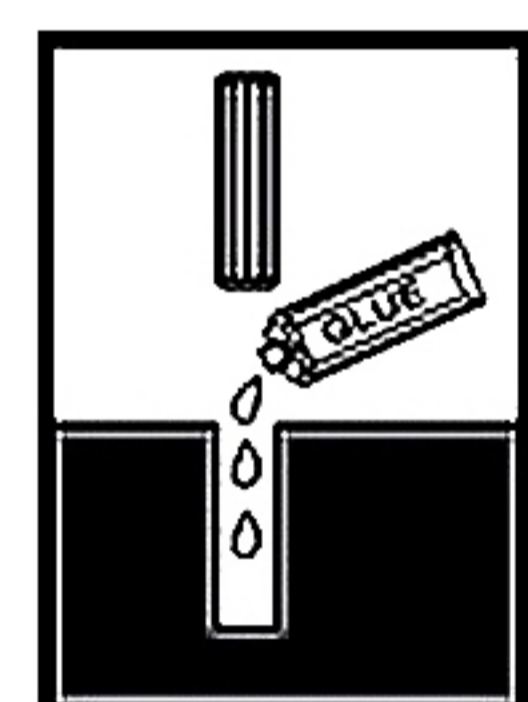
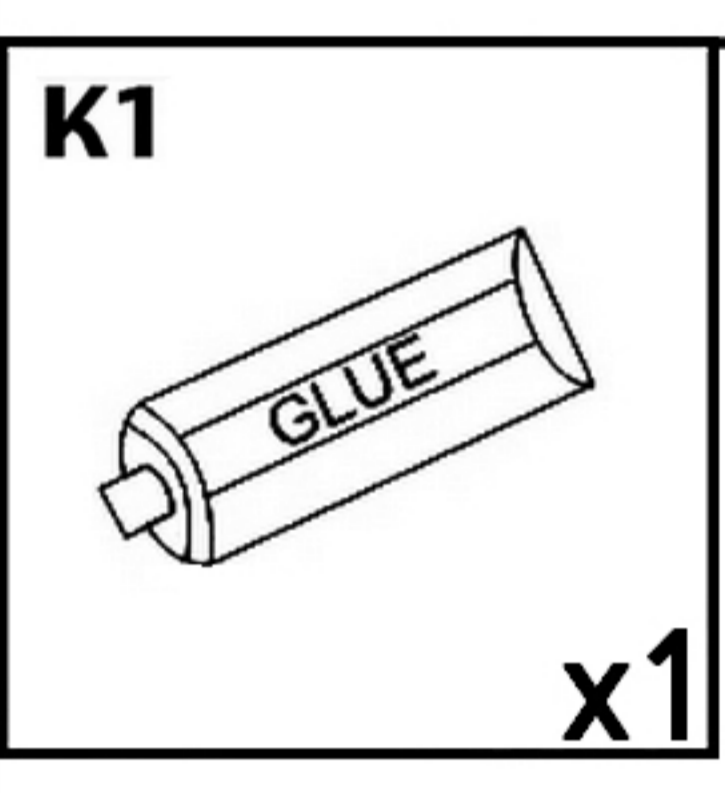
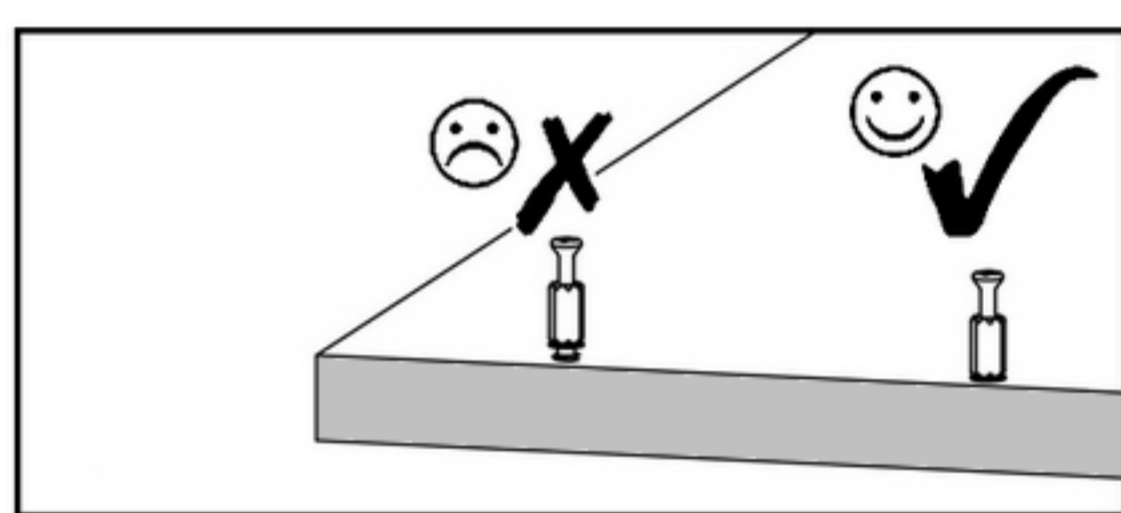
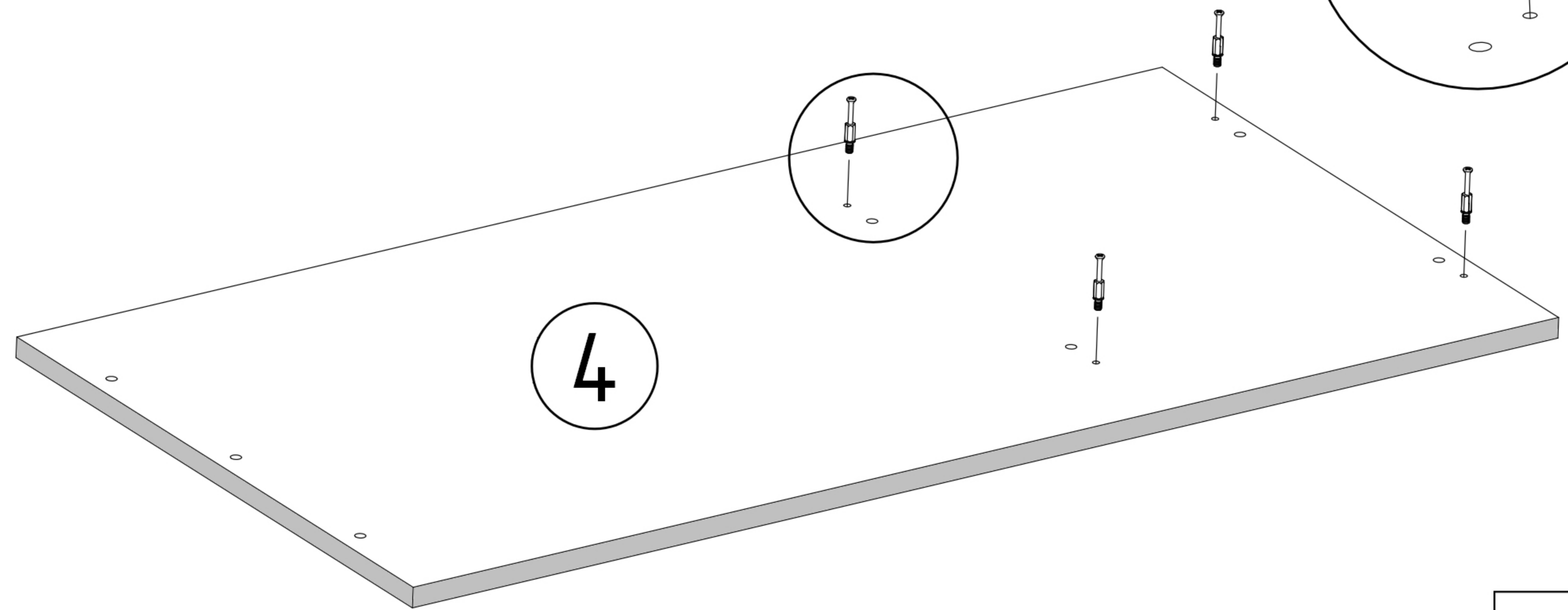
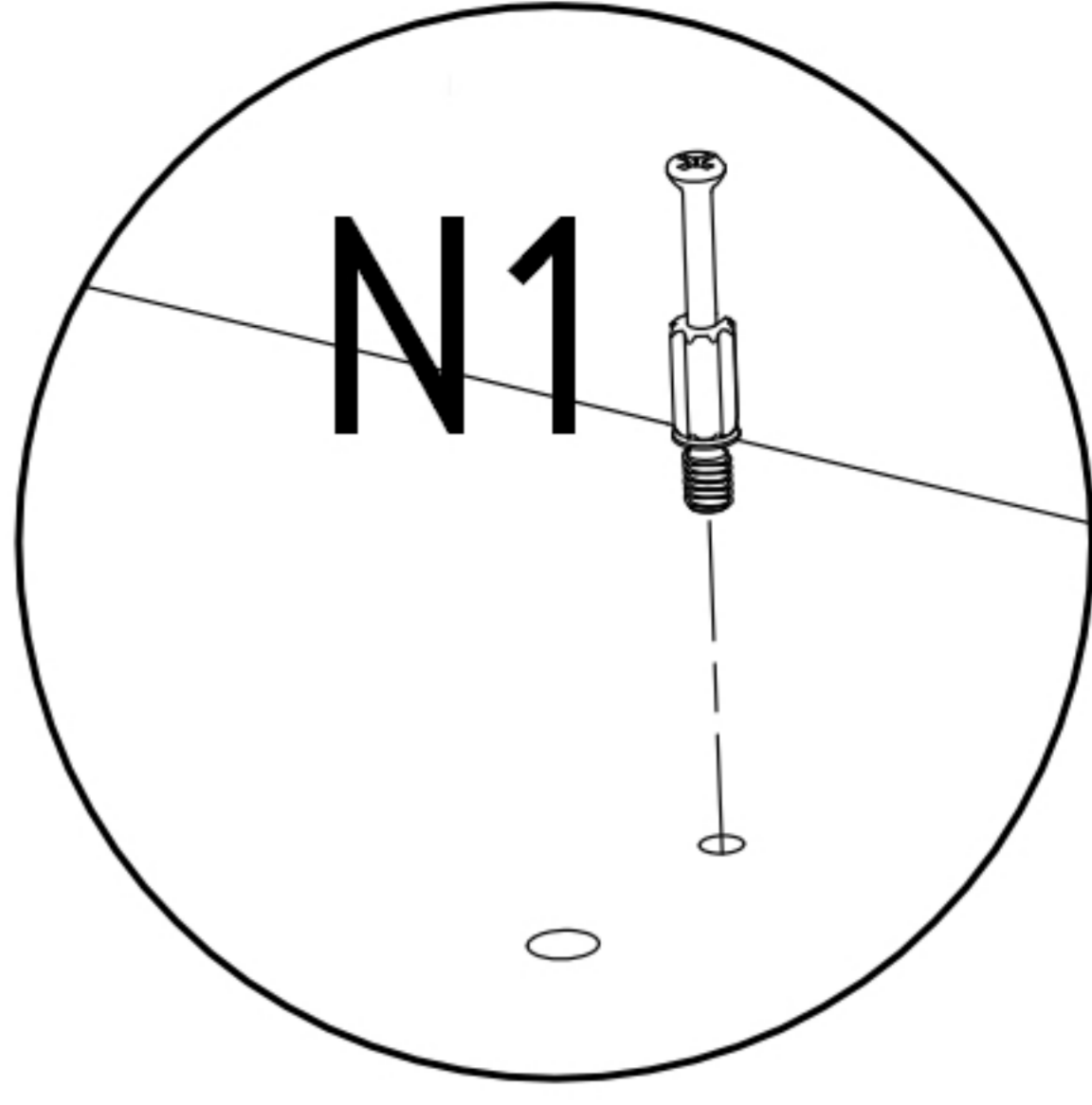
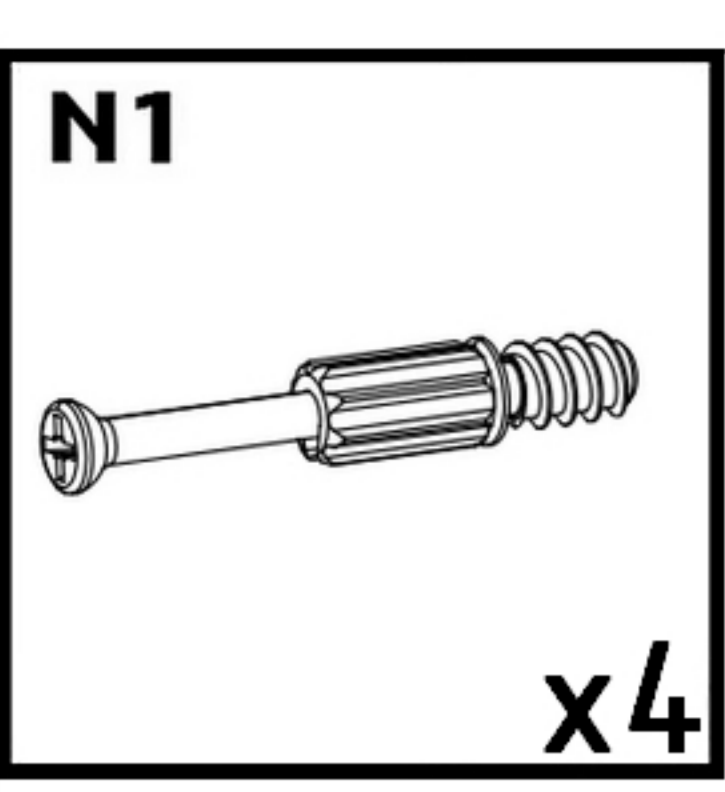


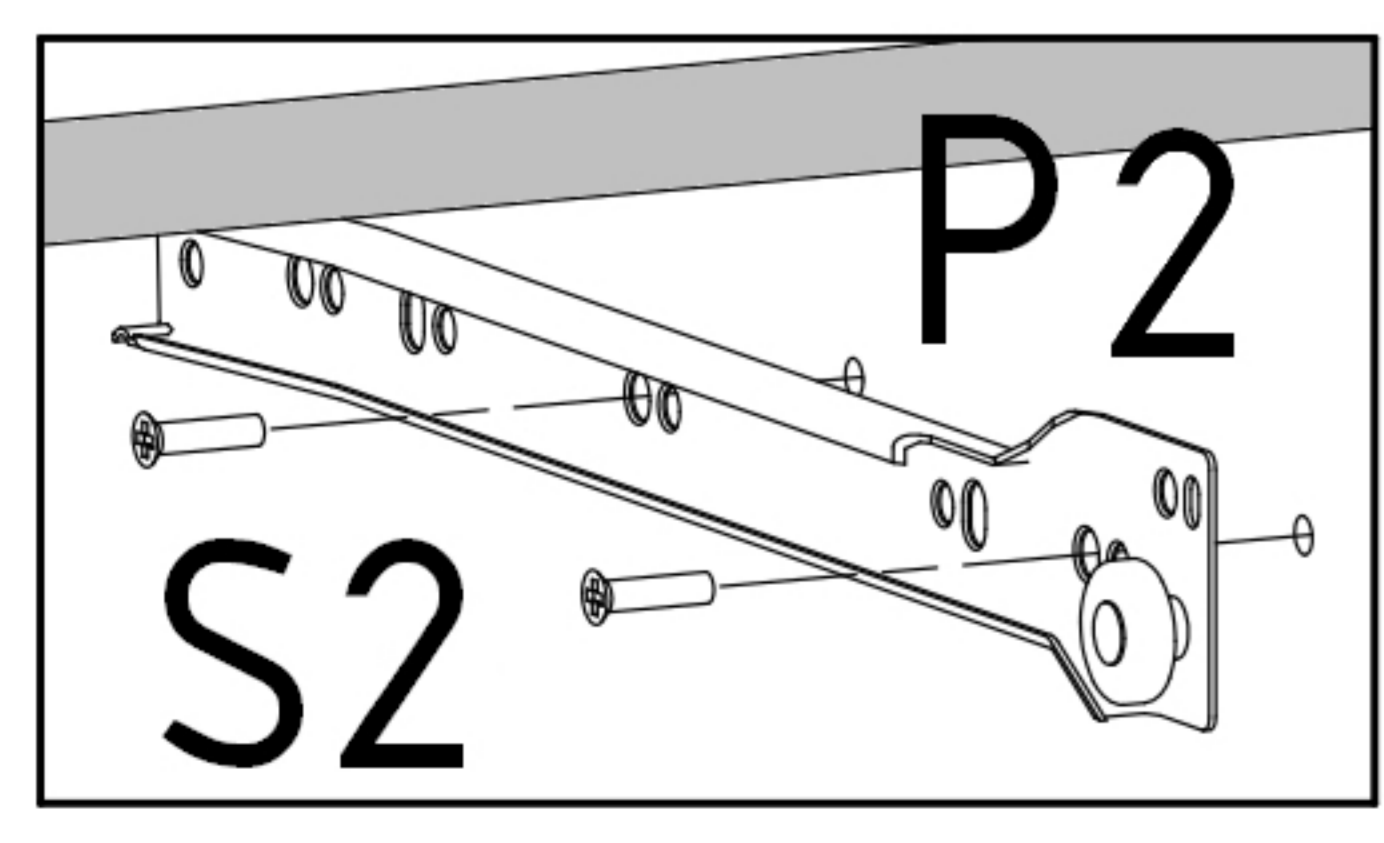
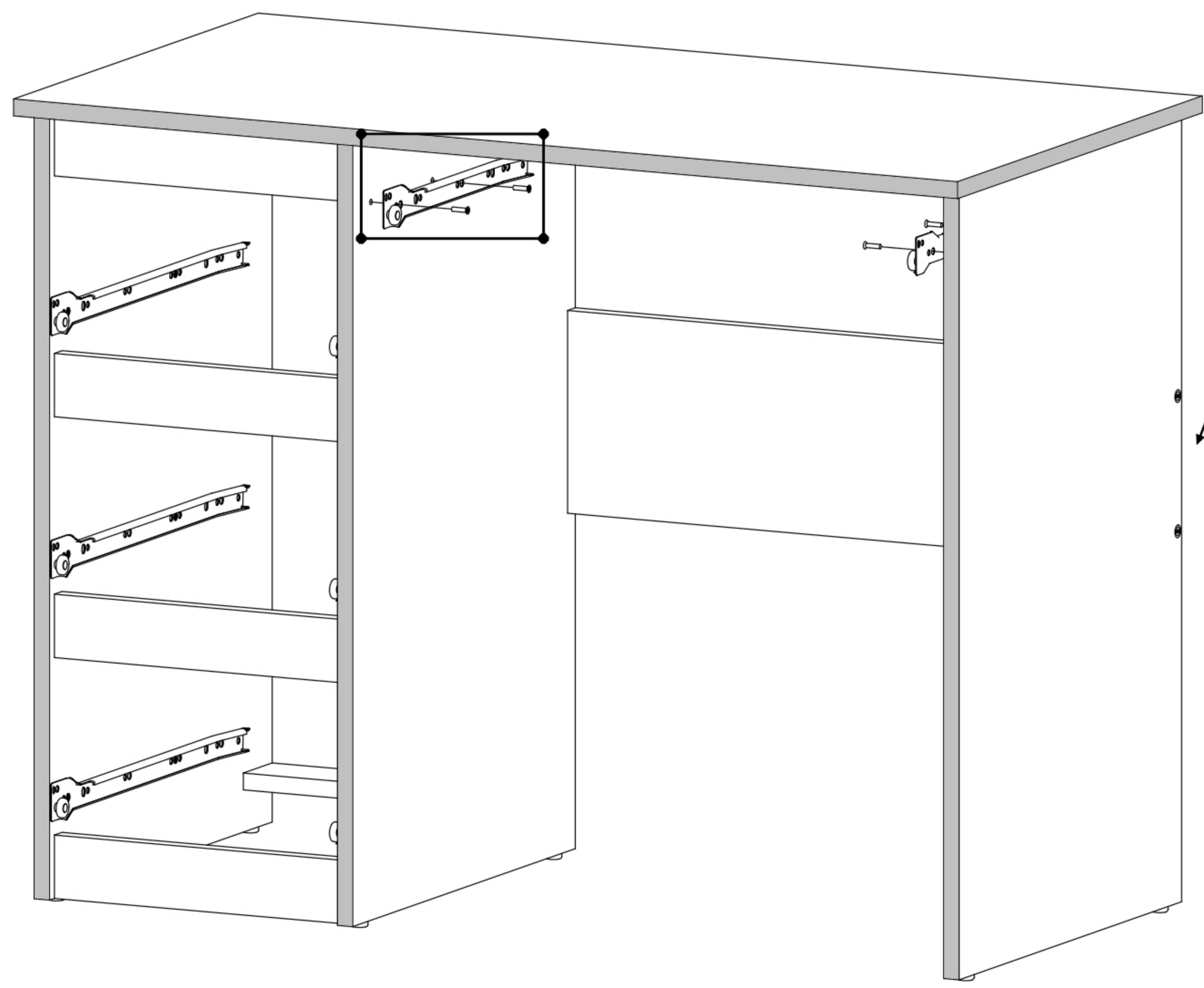
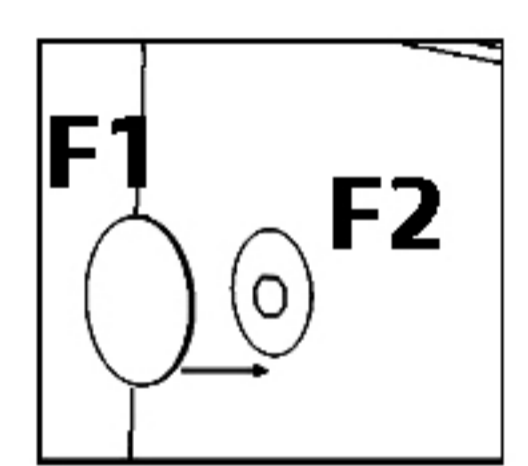
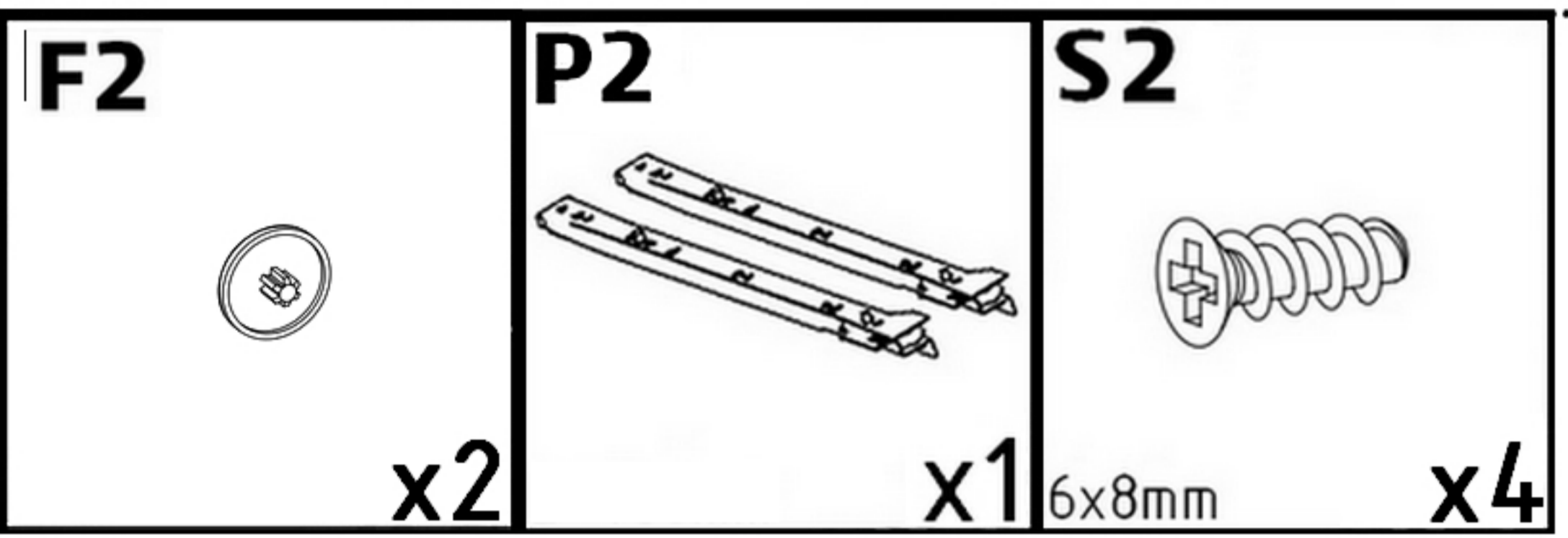
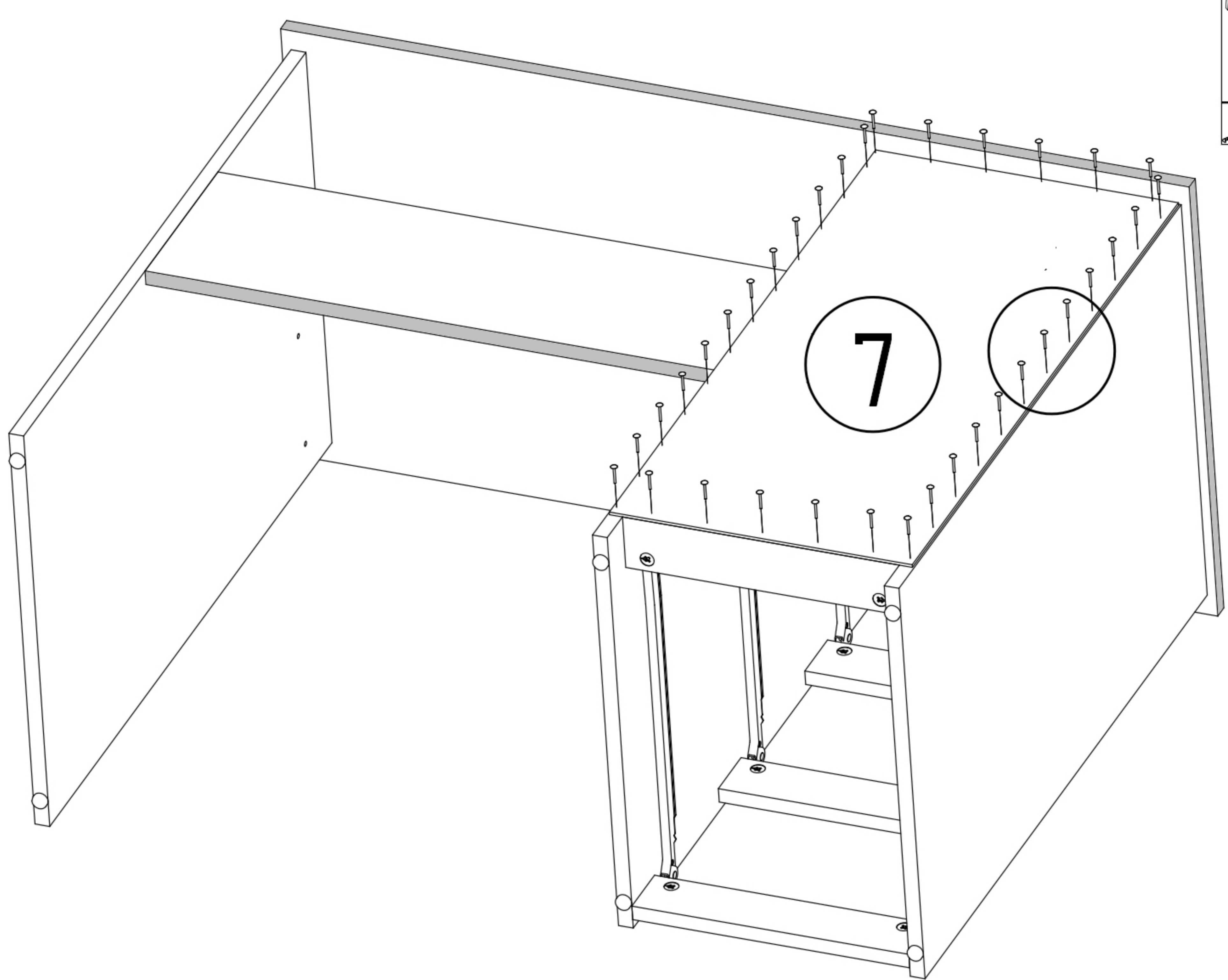
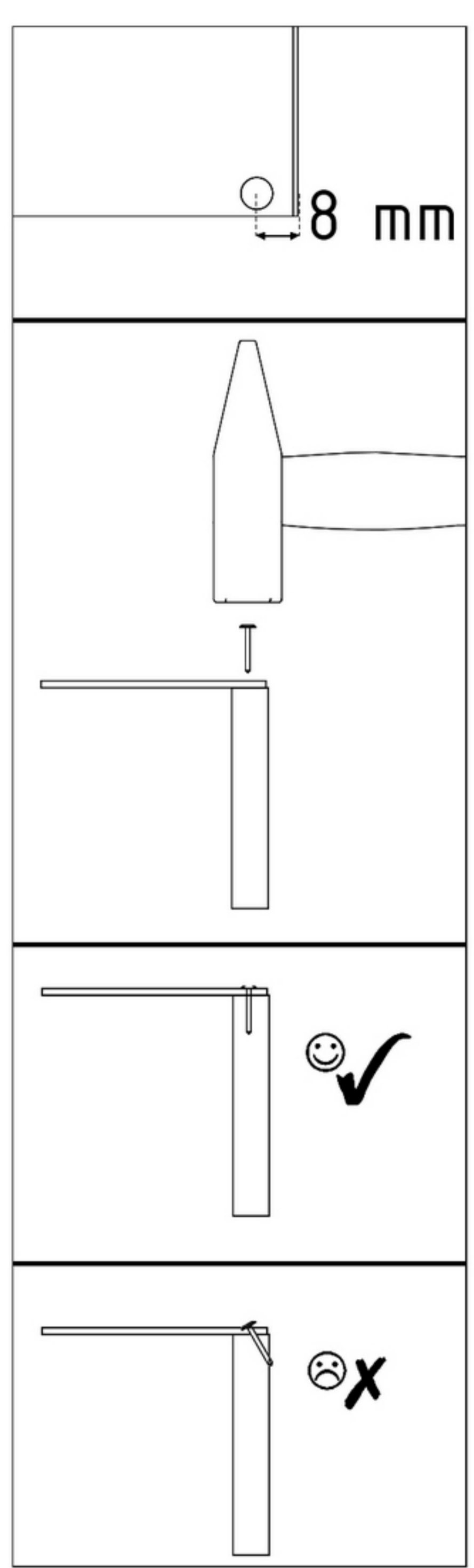
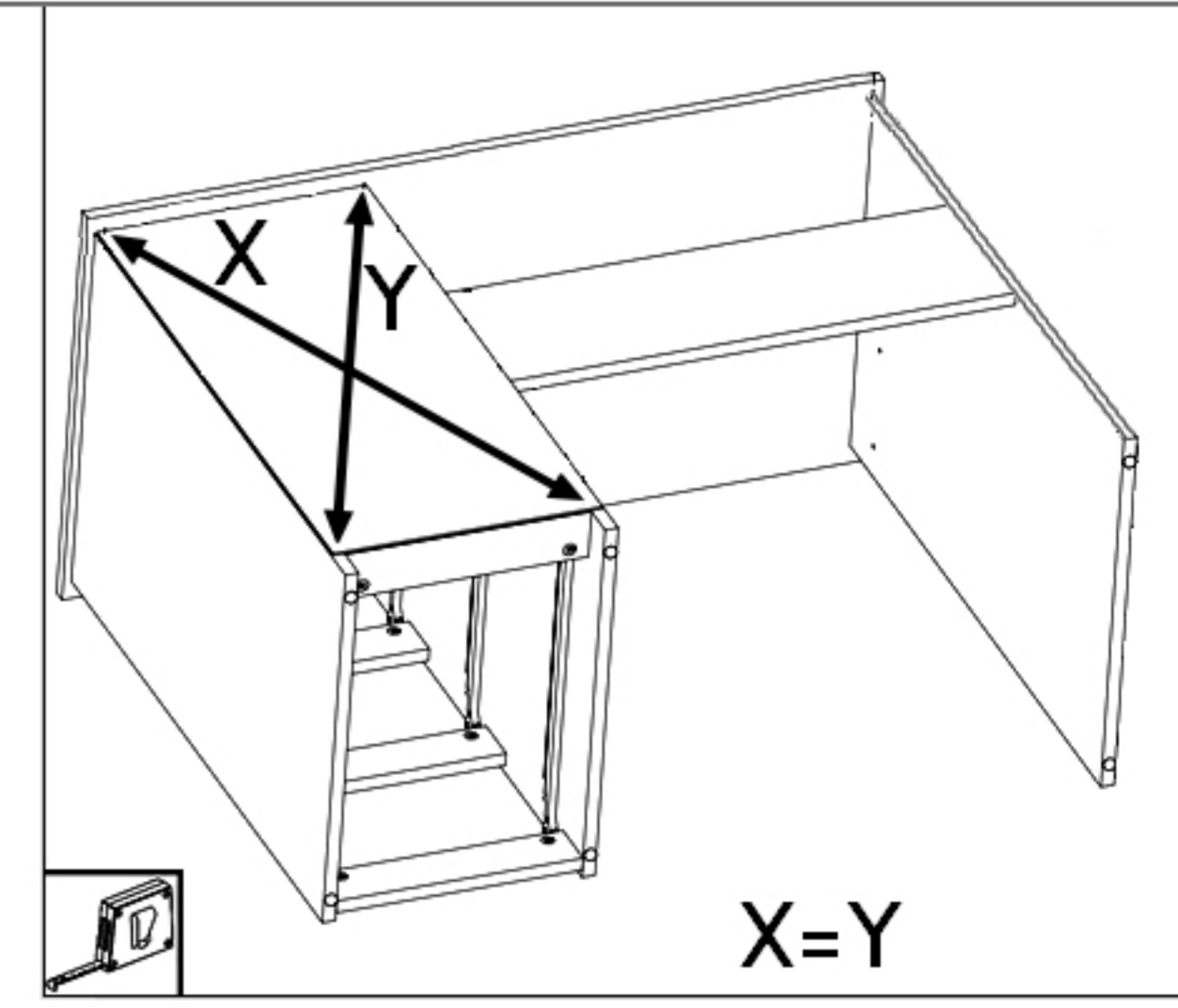
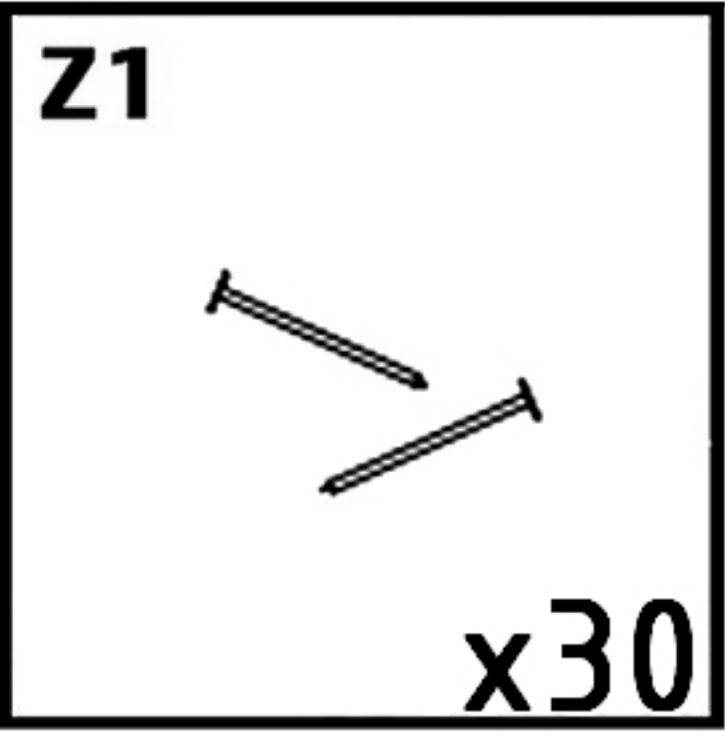
<b>T1</b>  x2	<b>K1</b>  x1	<b>E1</b>  x3
---	--	--



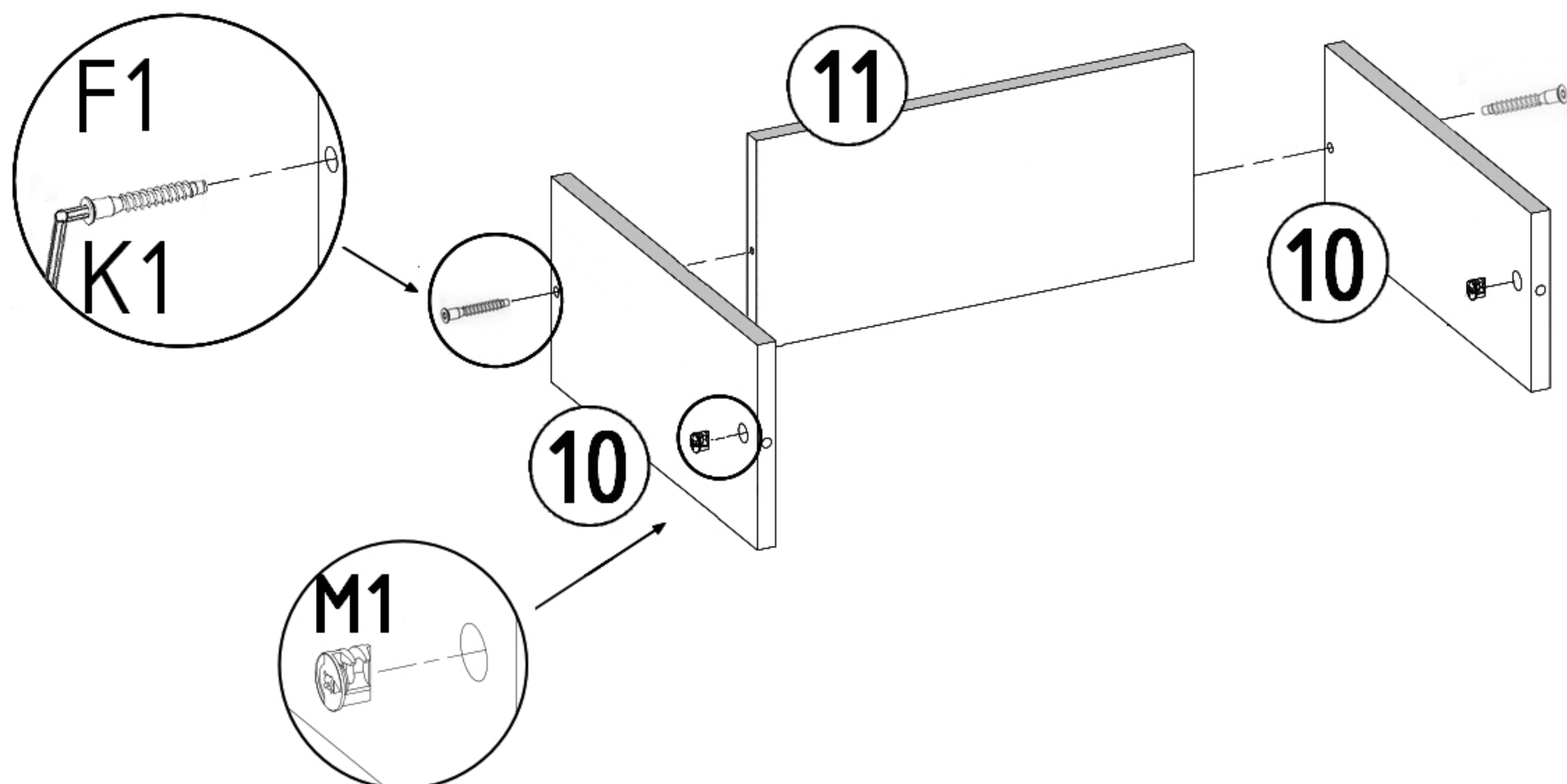
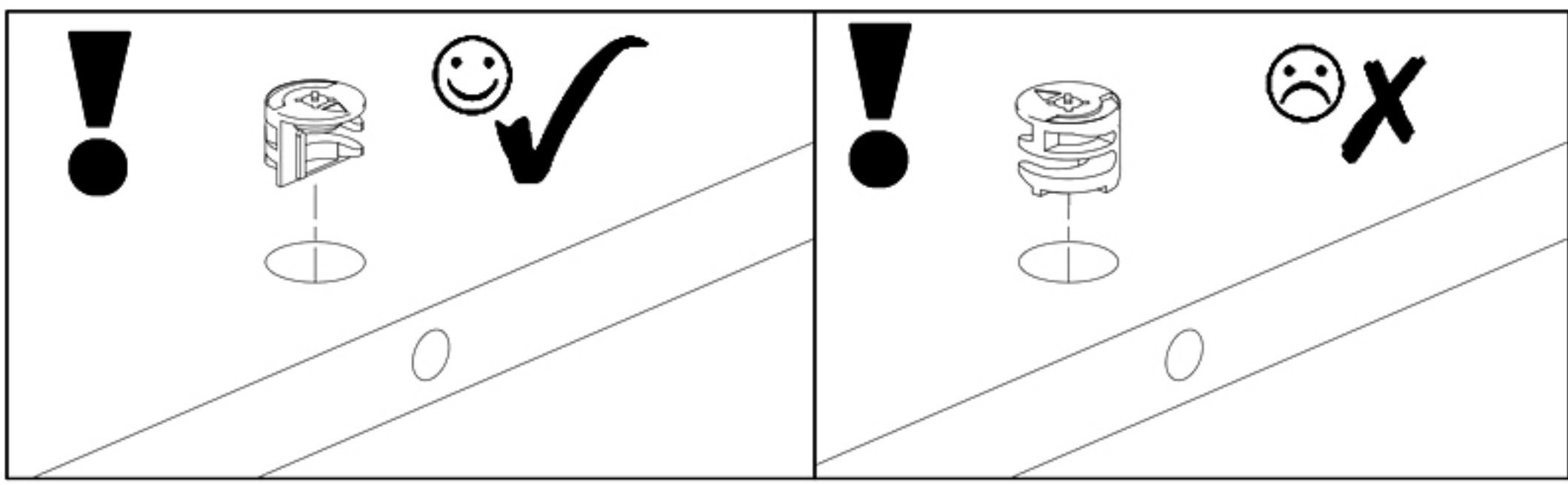
<b>F3</b>  x1	<b>F1</b>  x4
---	--





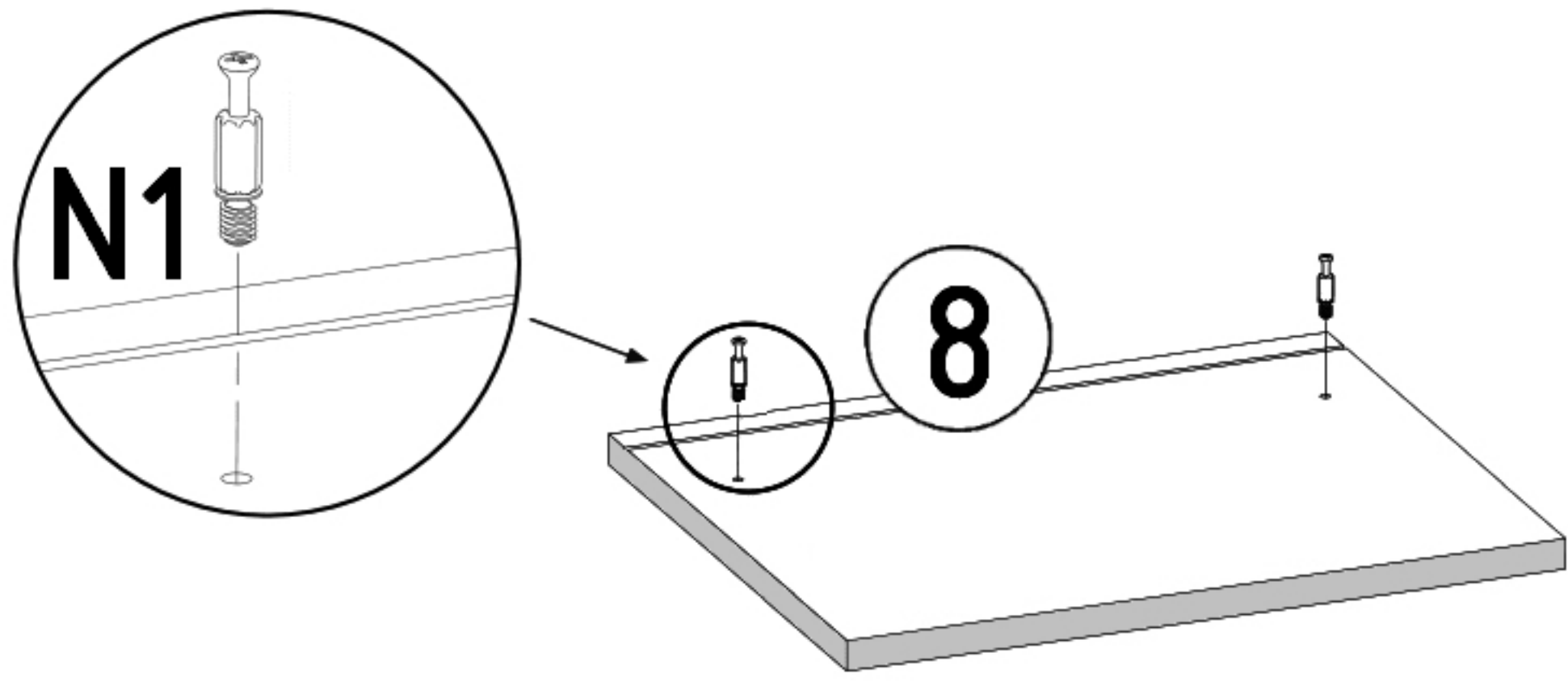
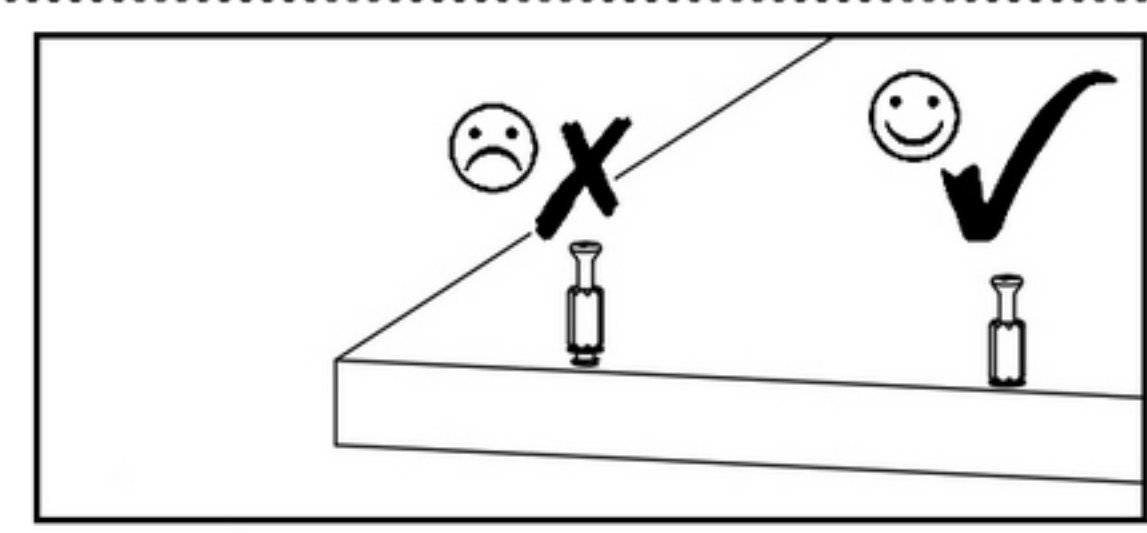


<b>F1</b>  7x50mm x2	<b>M1</b>  12x15mm x2	<b>K1</b>  x1
--	--	--

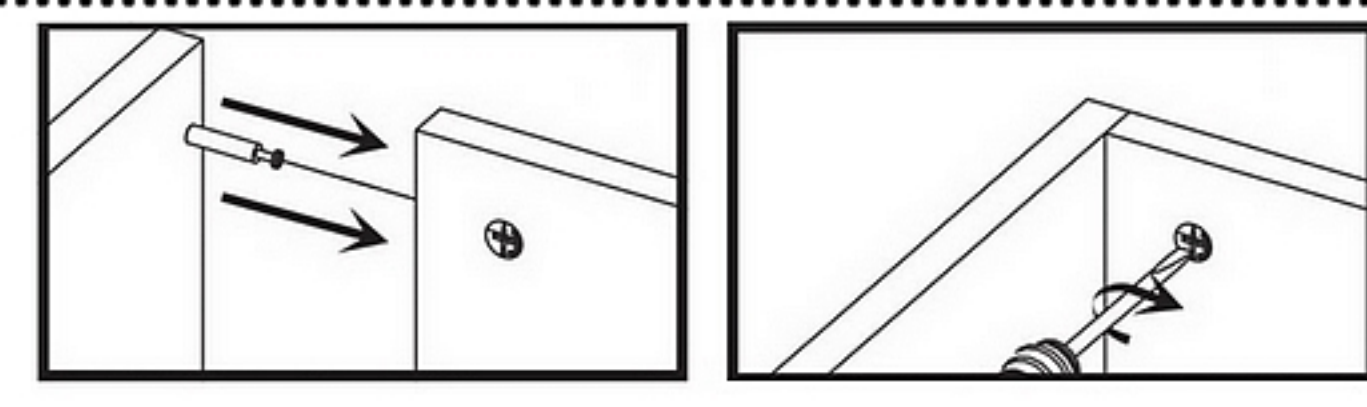
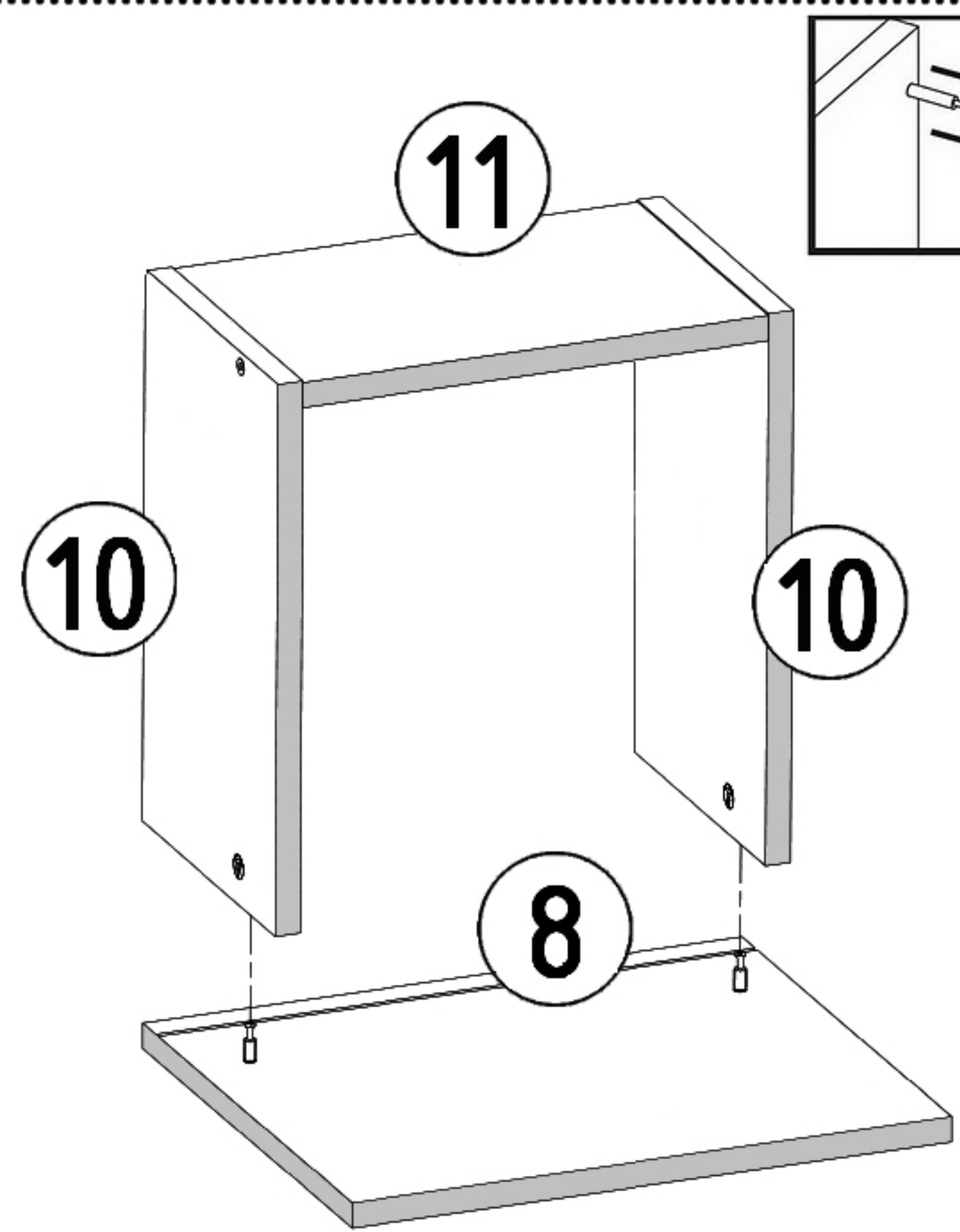


x3

<b>N1</b>  x2
---

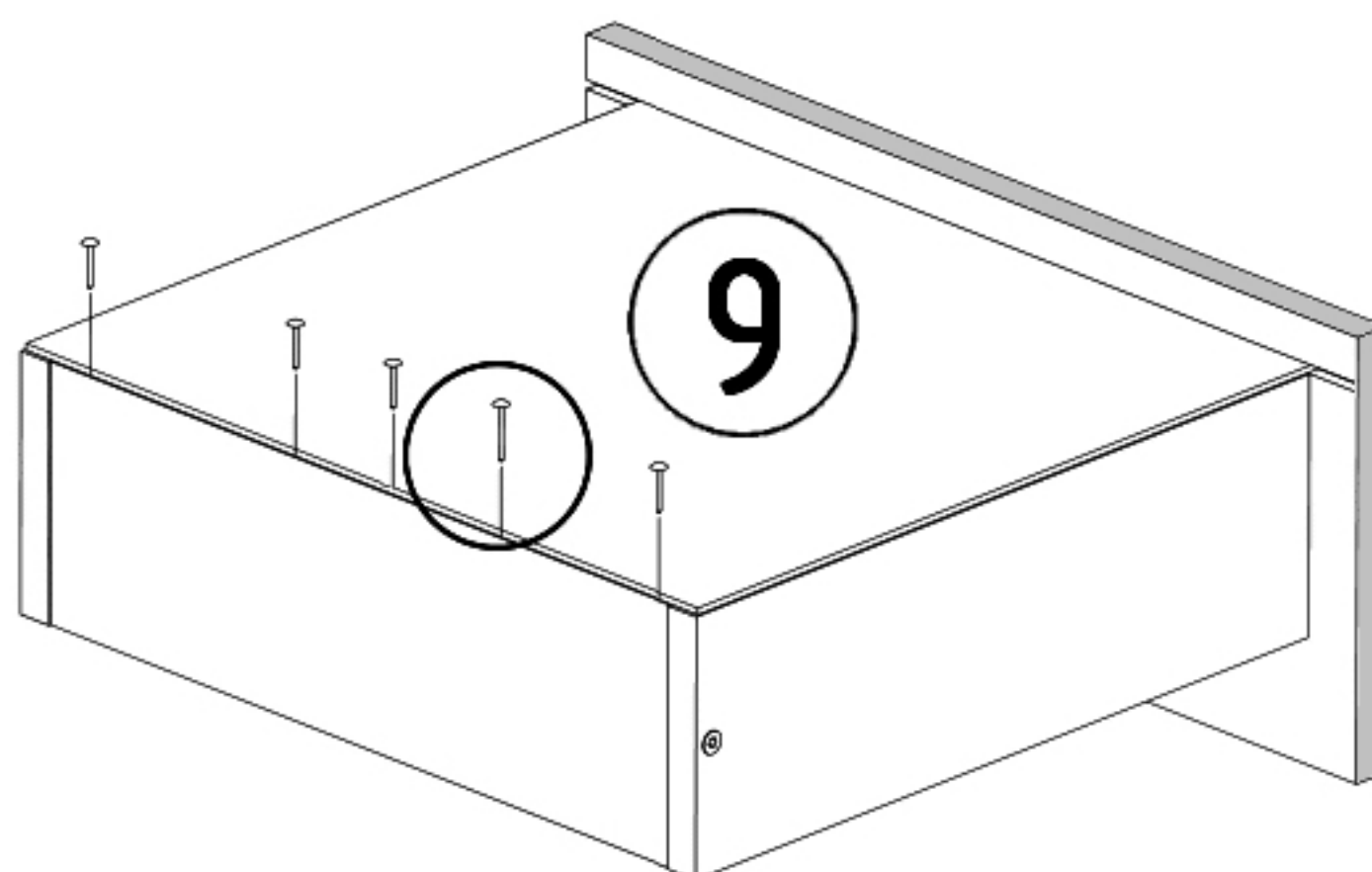
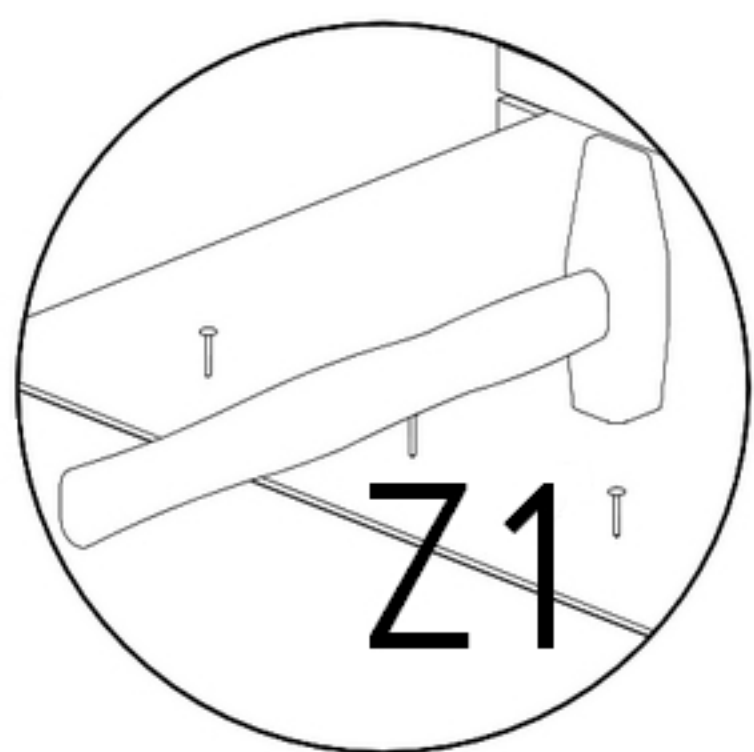
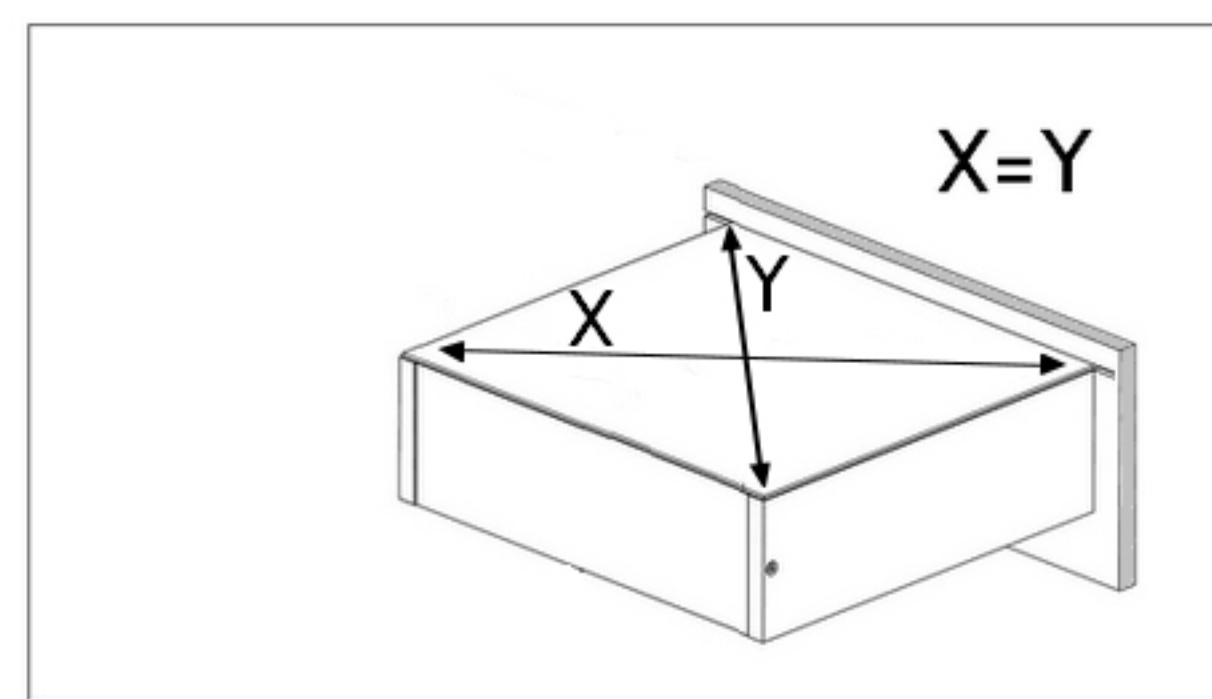
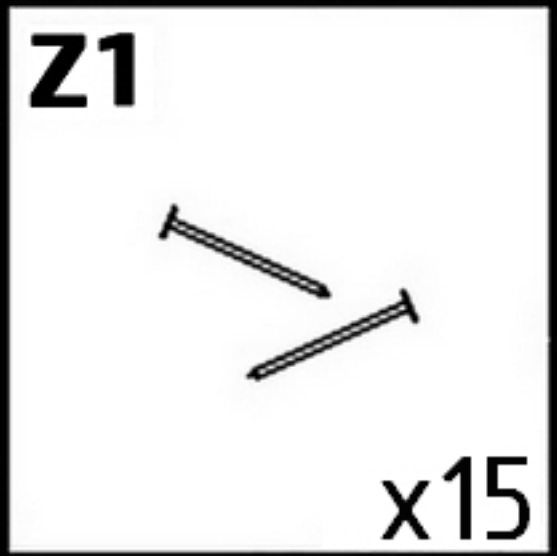


x3

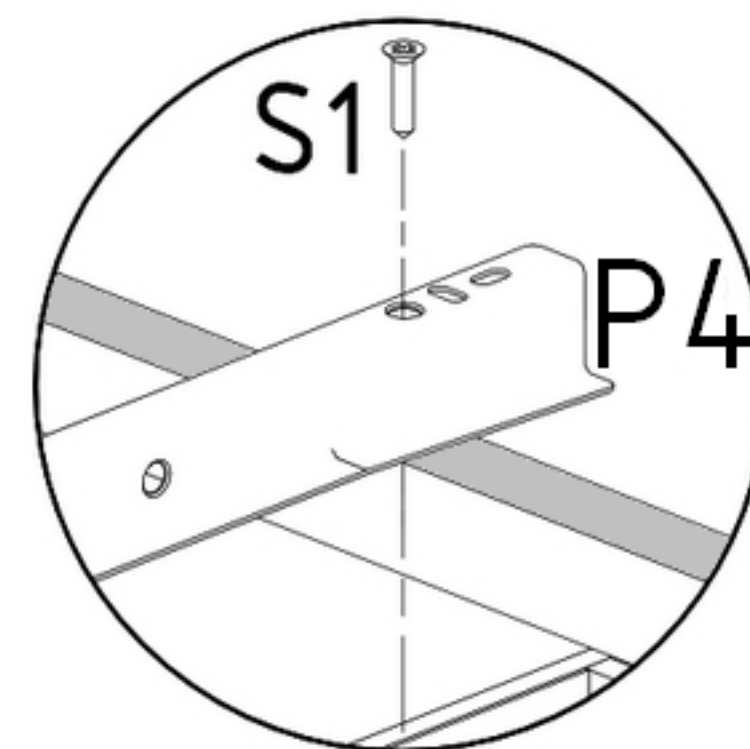
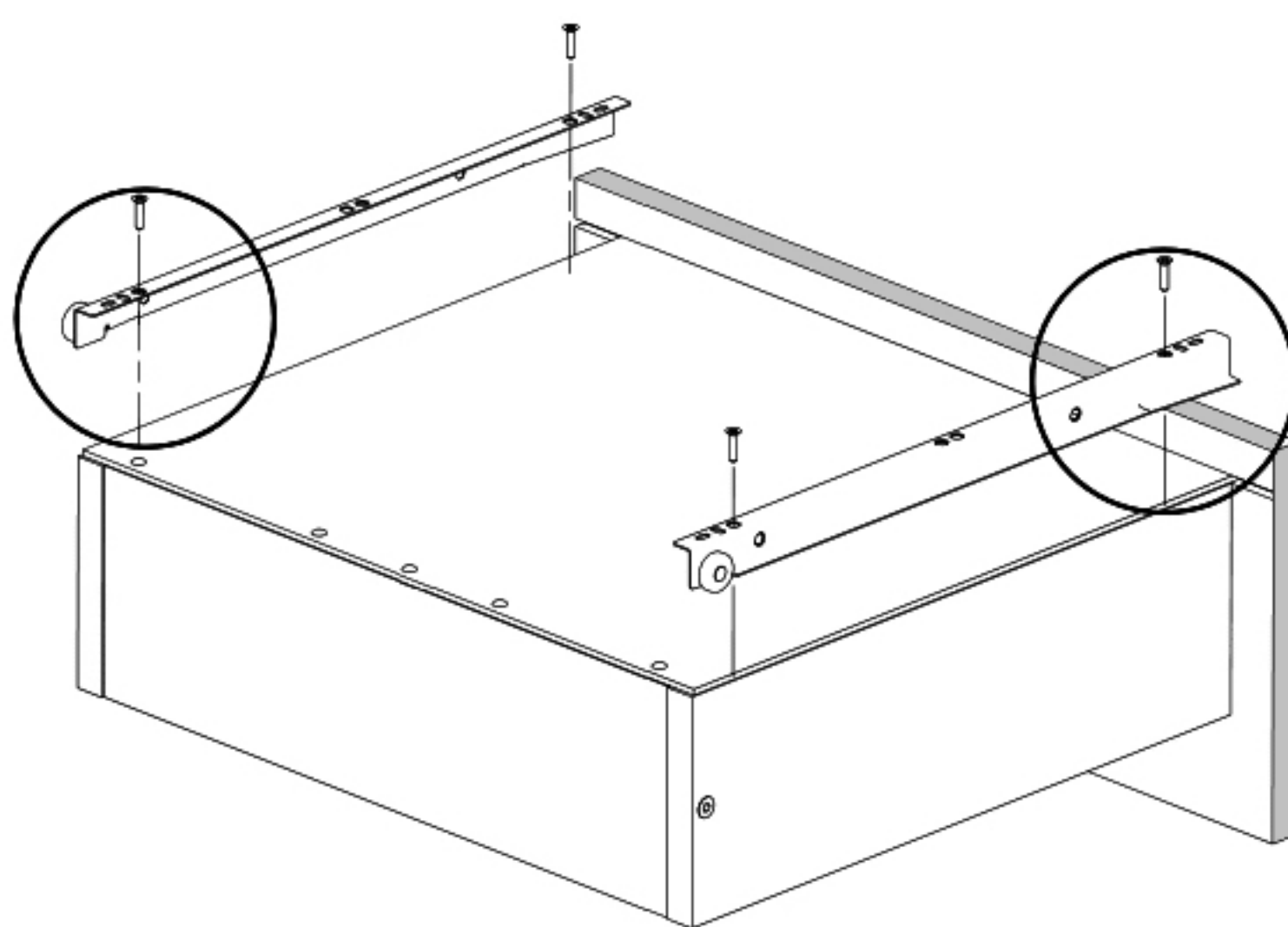
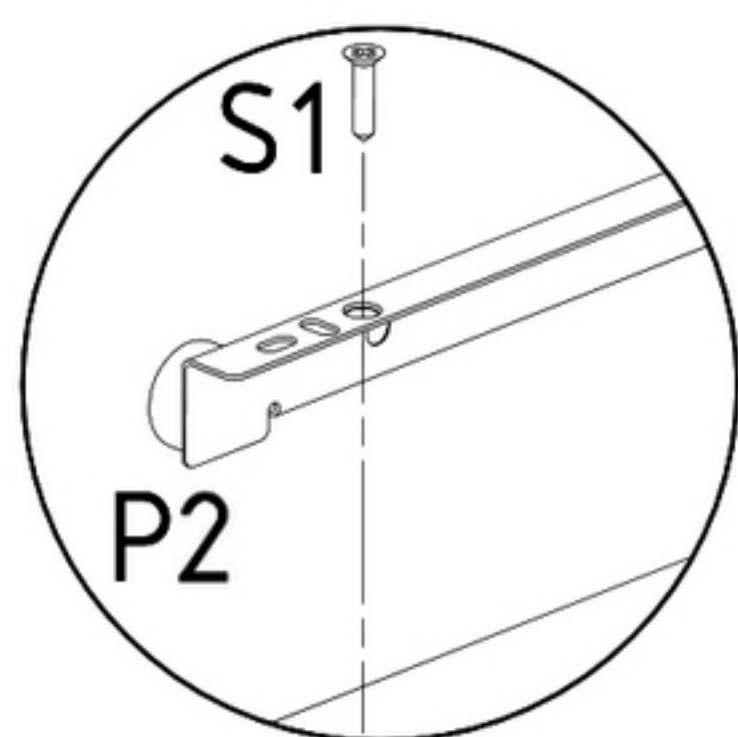
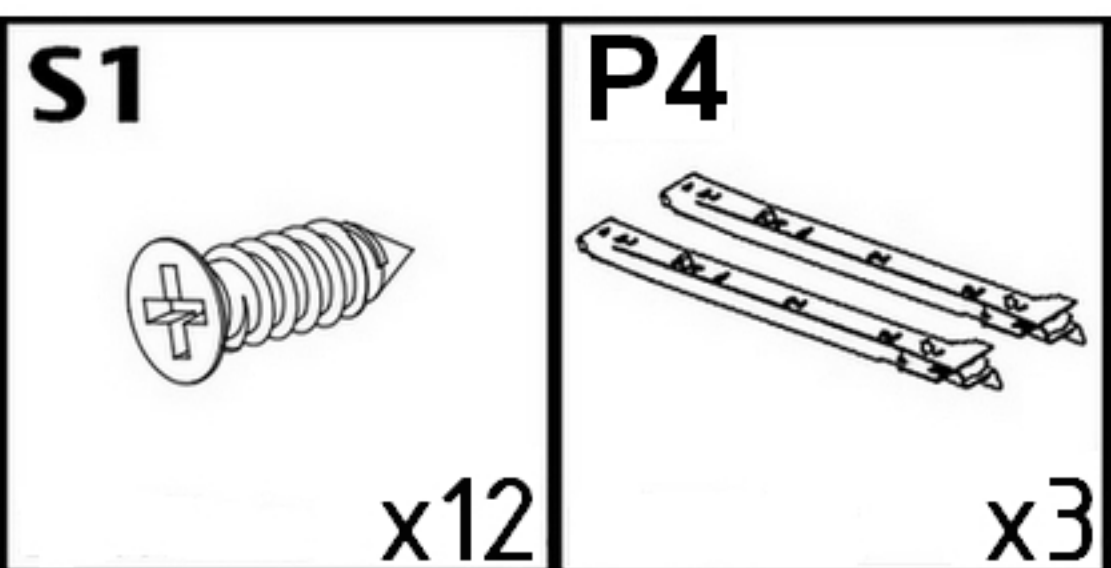


x3

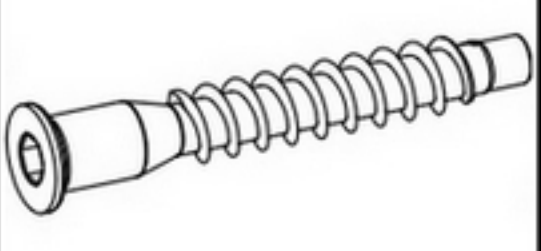
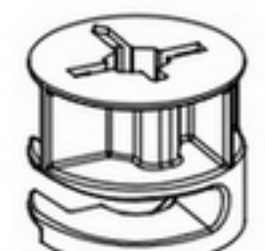
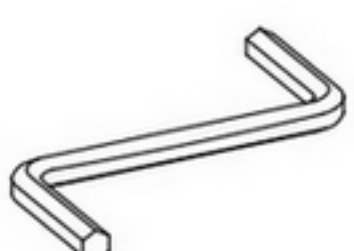


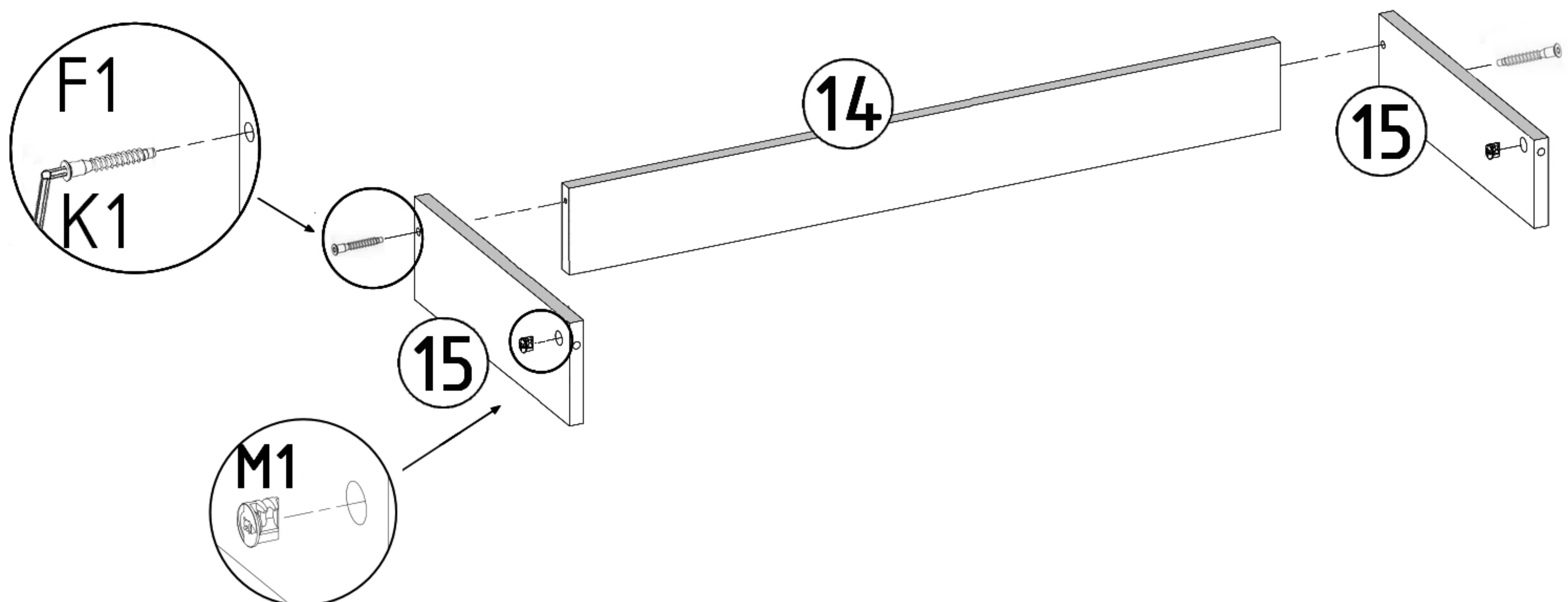
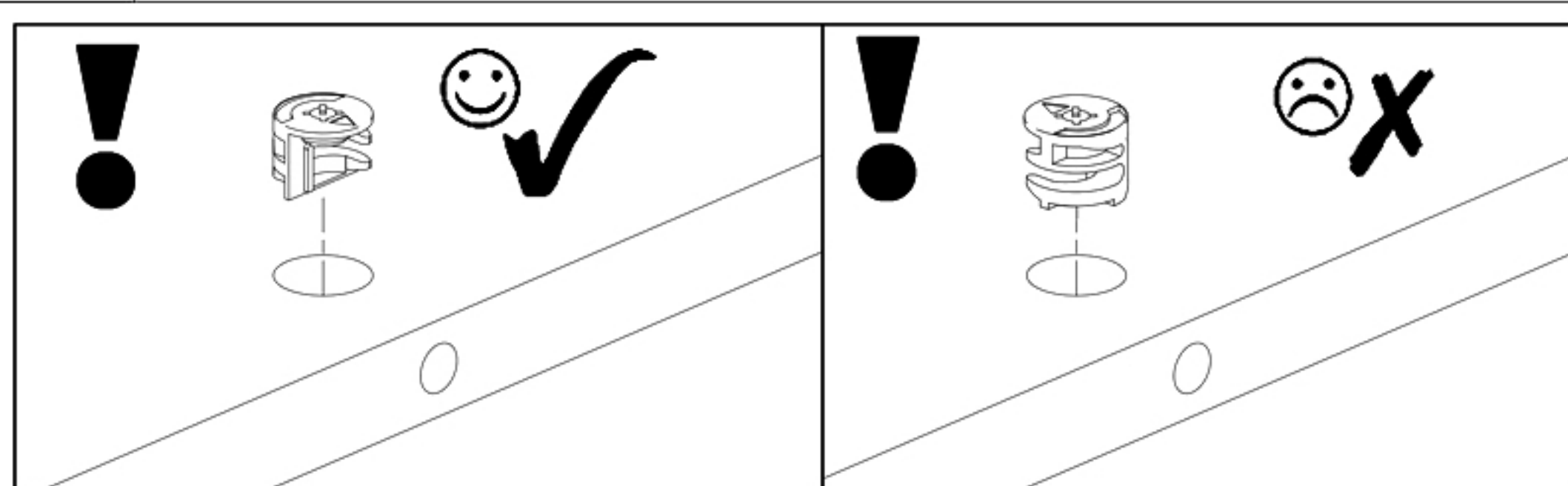


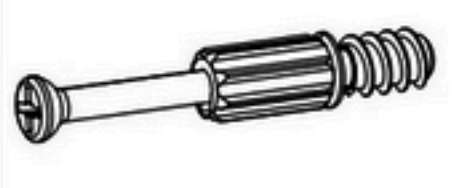
x3



x3

<b>F1</b>  7x50mm x2	<b>M1</b>  12x15mm x2	<b>K1</b>  x1
--	--	--



<b>N1</b>  x2
---

