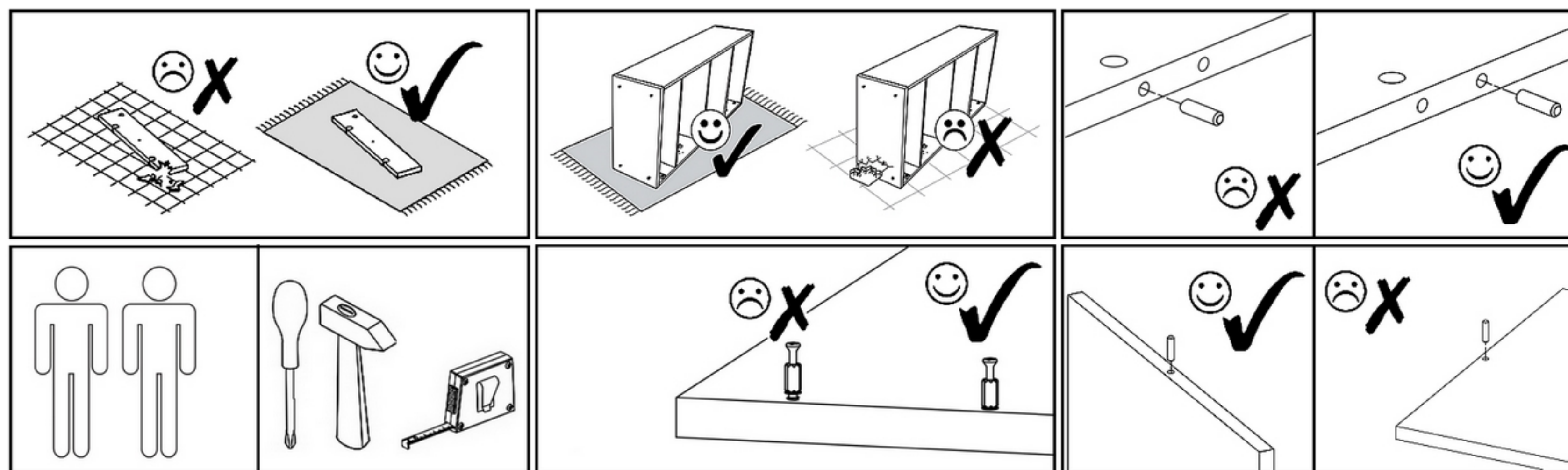
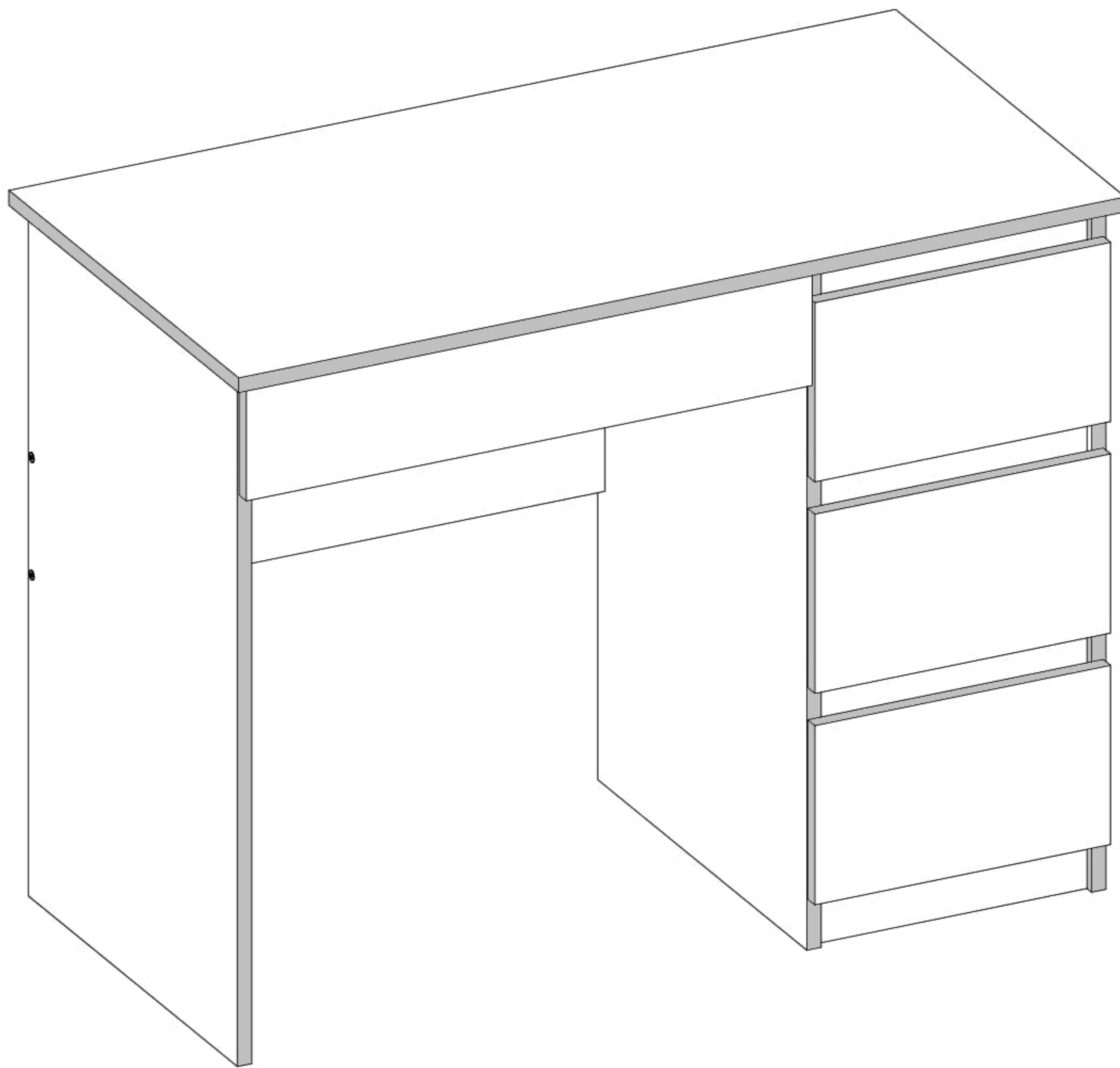
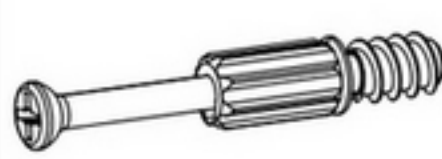




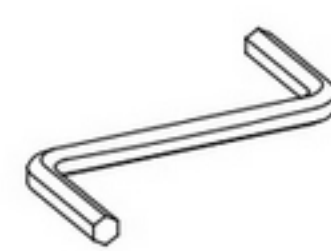
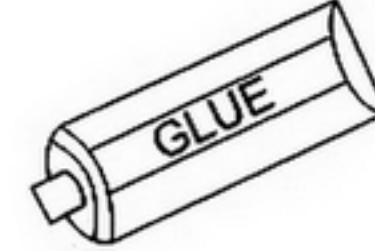


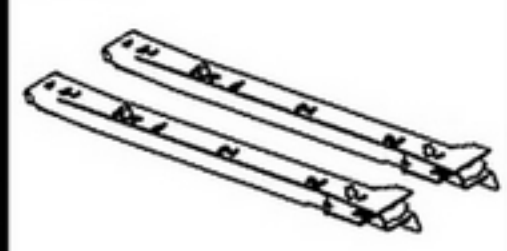
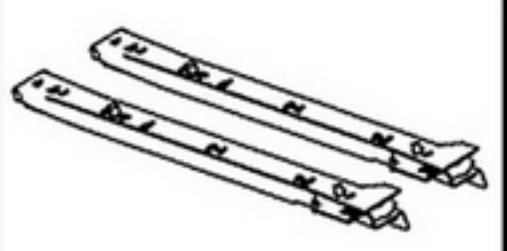
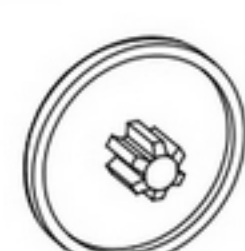
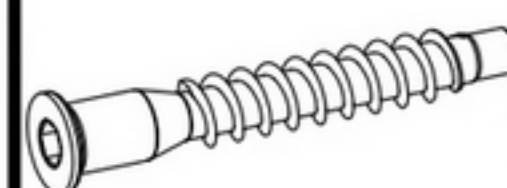

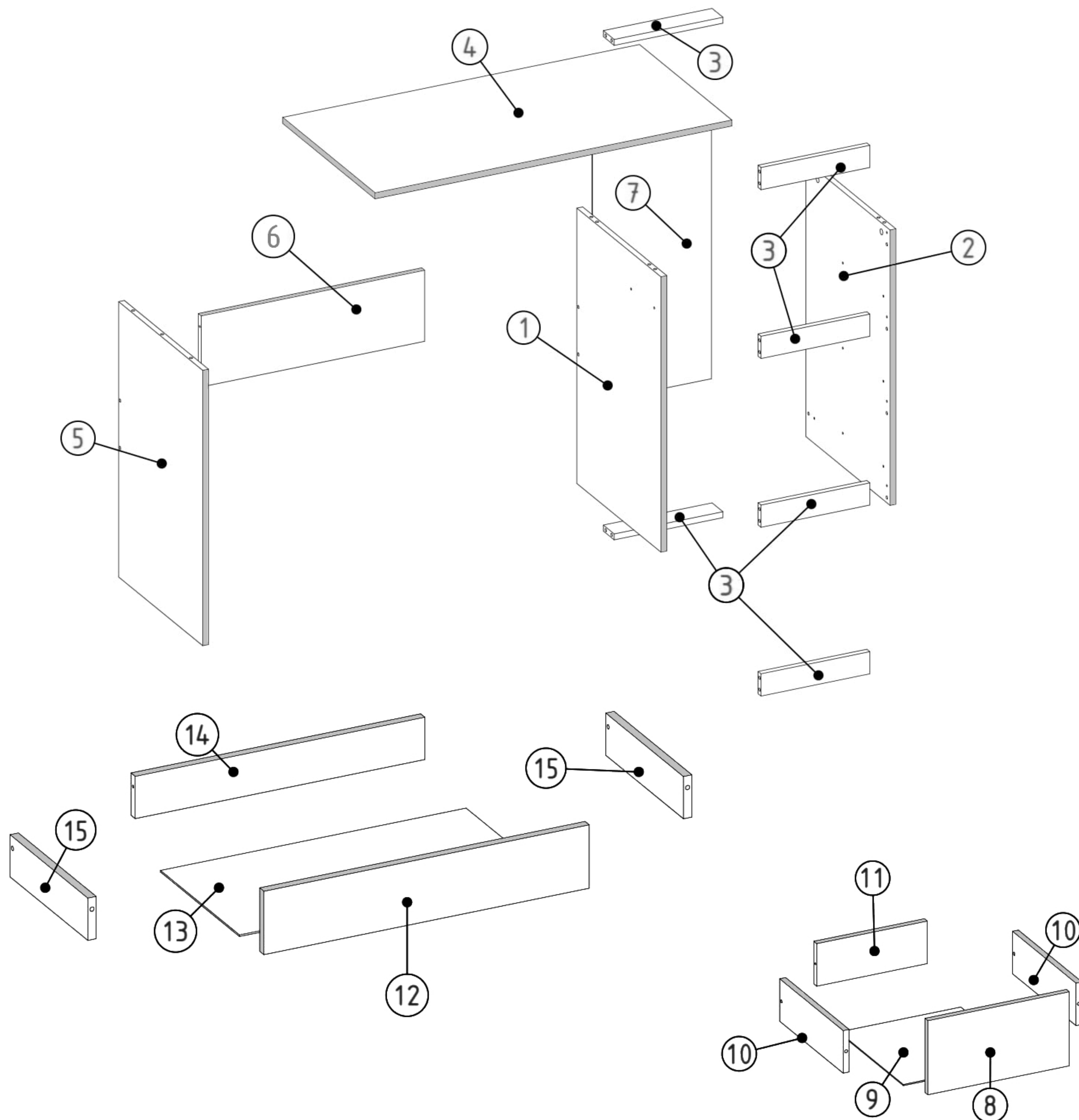


MIJAS P

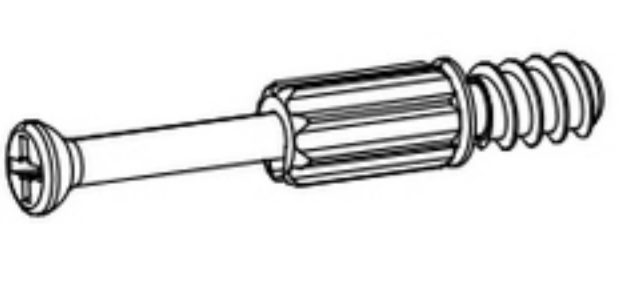
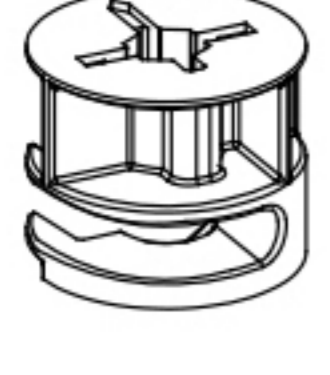
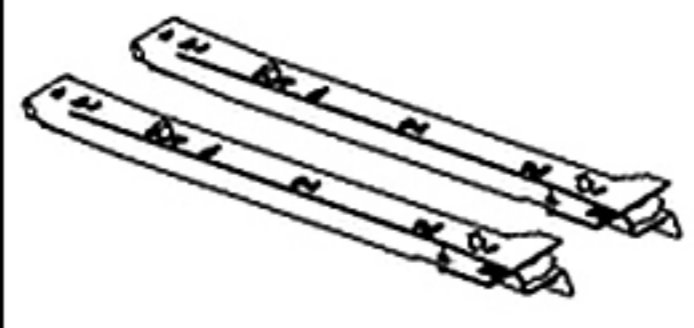
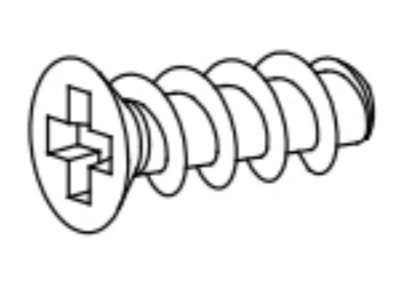
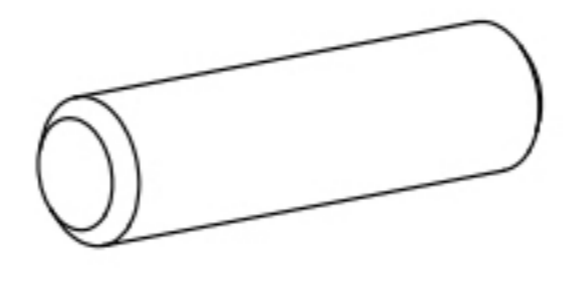



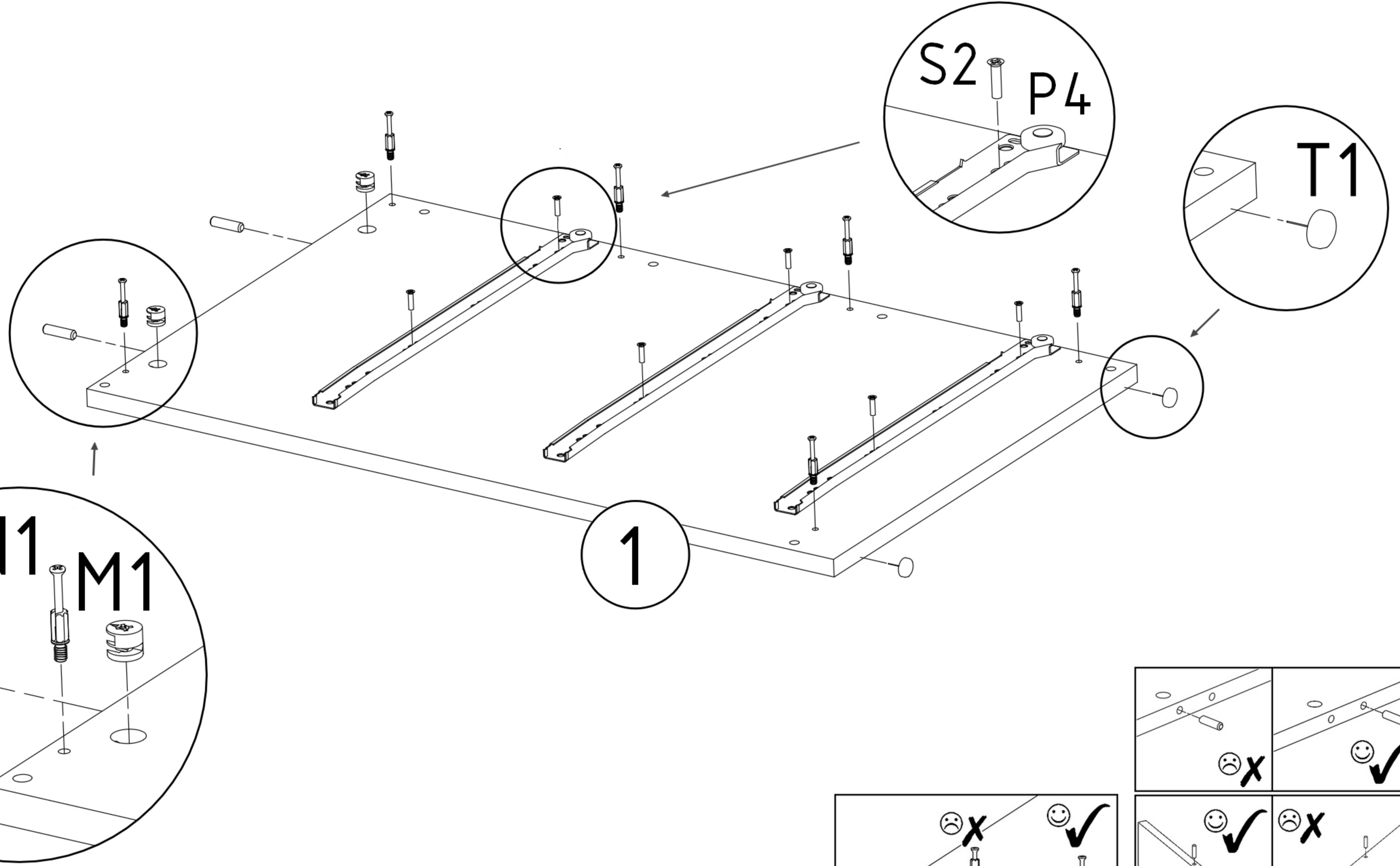
N1  L=34mm x24	M1  12x15mm x24	F2  ø12mm x2	S1  3,5x16mm x16	E1  8x30mm x19	F3  x1	K1  GLUE x1
T1  x6	Z1  x55	P2  L=300mm x1	P4  L=400mm x3	M2  ø17mm x8	F1  7x50mm x12	S2  6x8mm x16

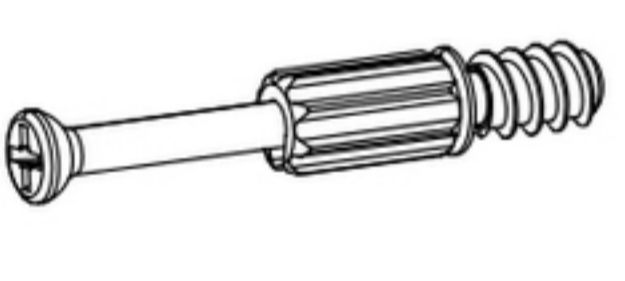
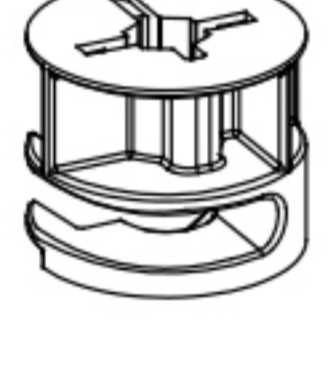
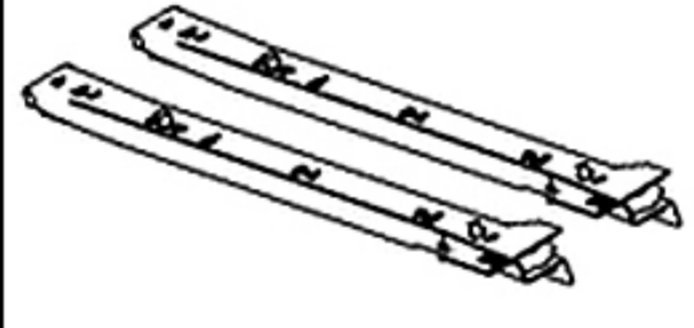
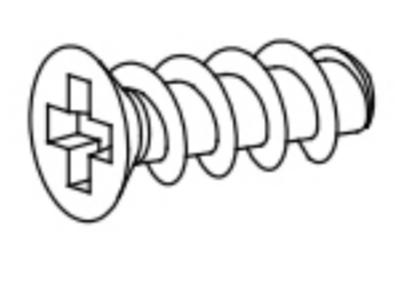
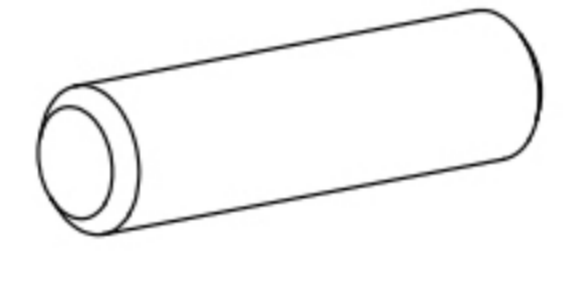



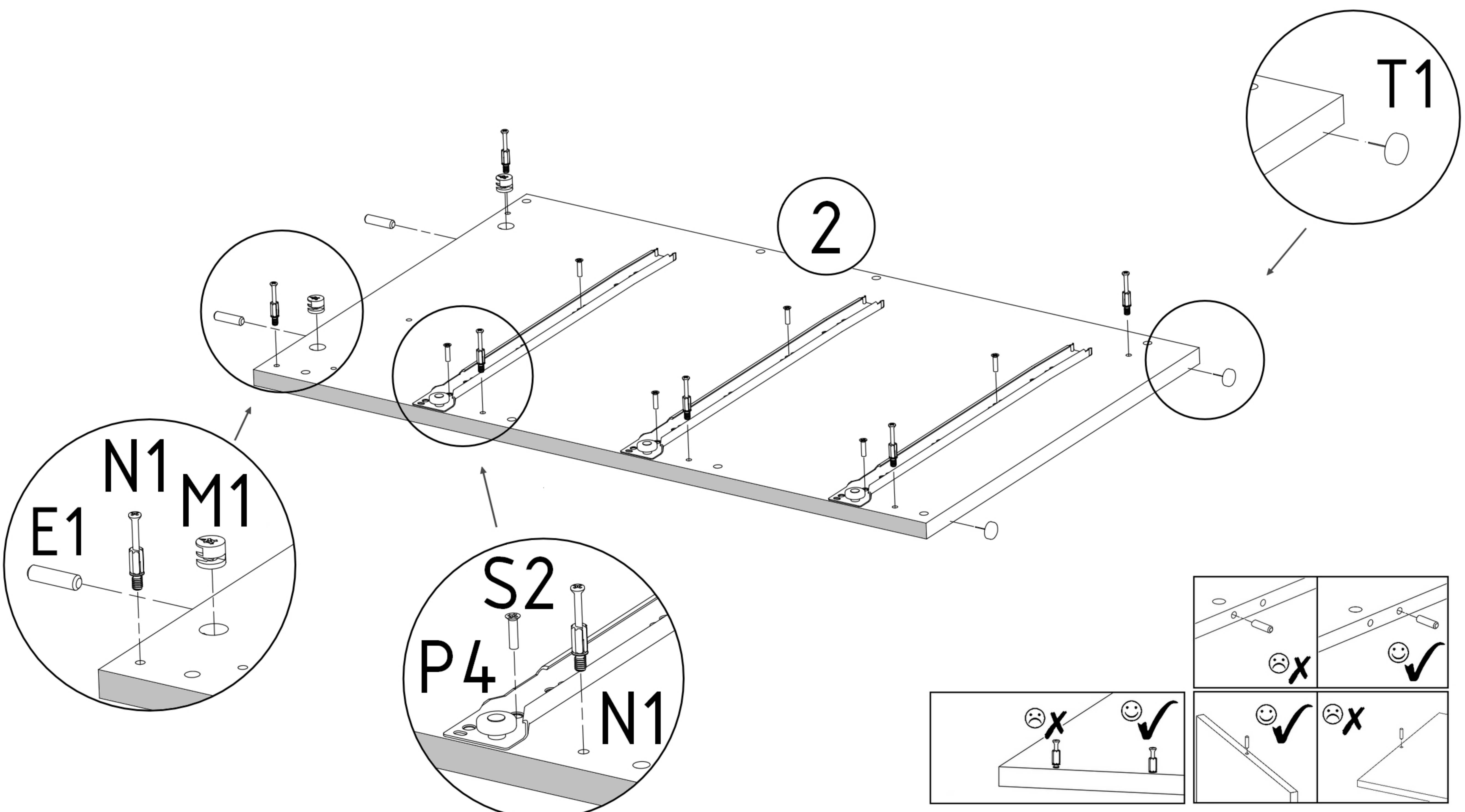
1	x	1
2	x	1
3	x	6
4	x	1
5	x	1
6	x	1
7	x	1
8	x	3

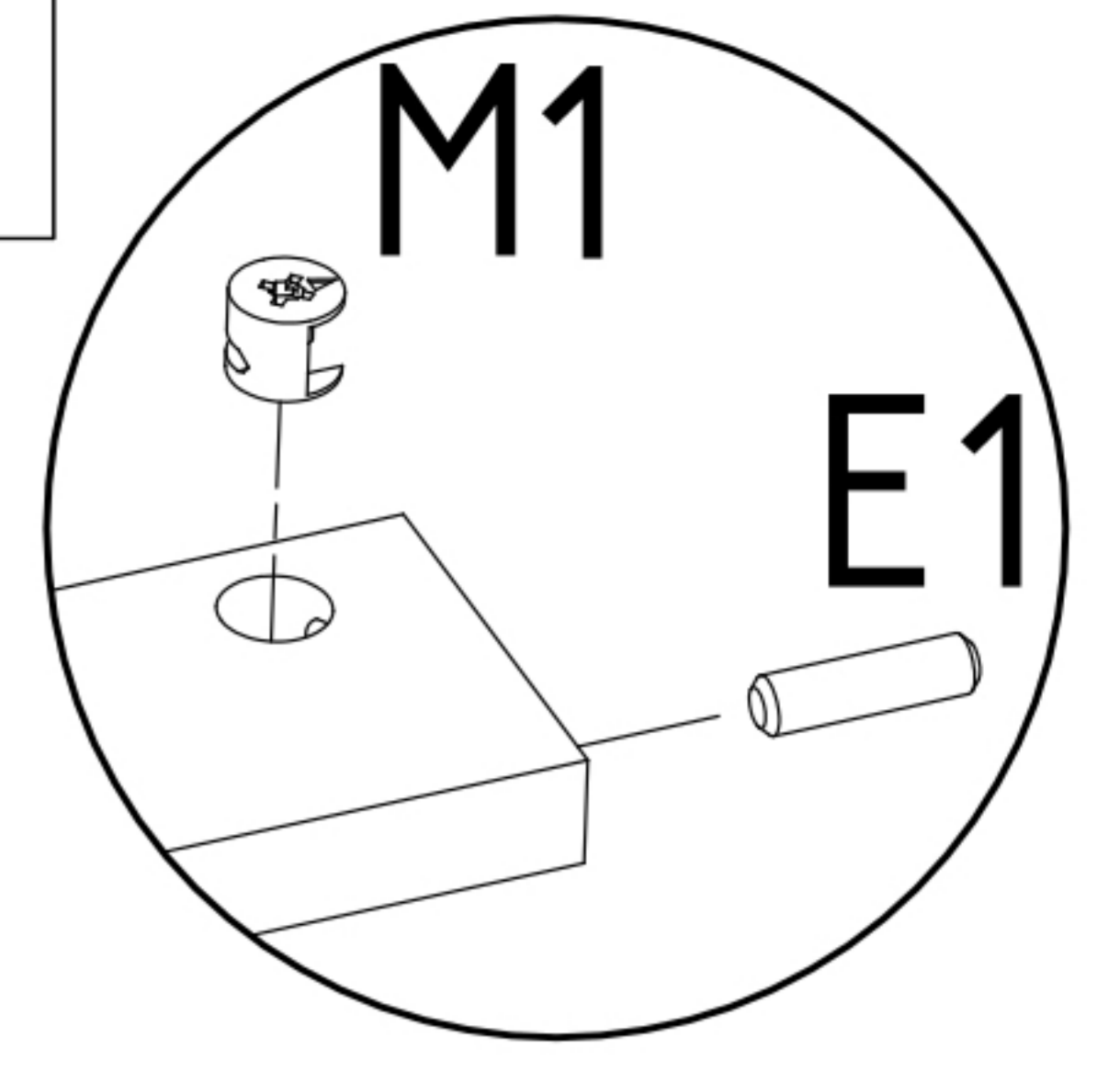
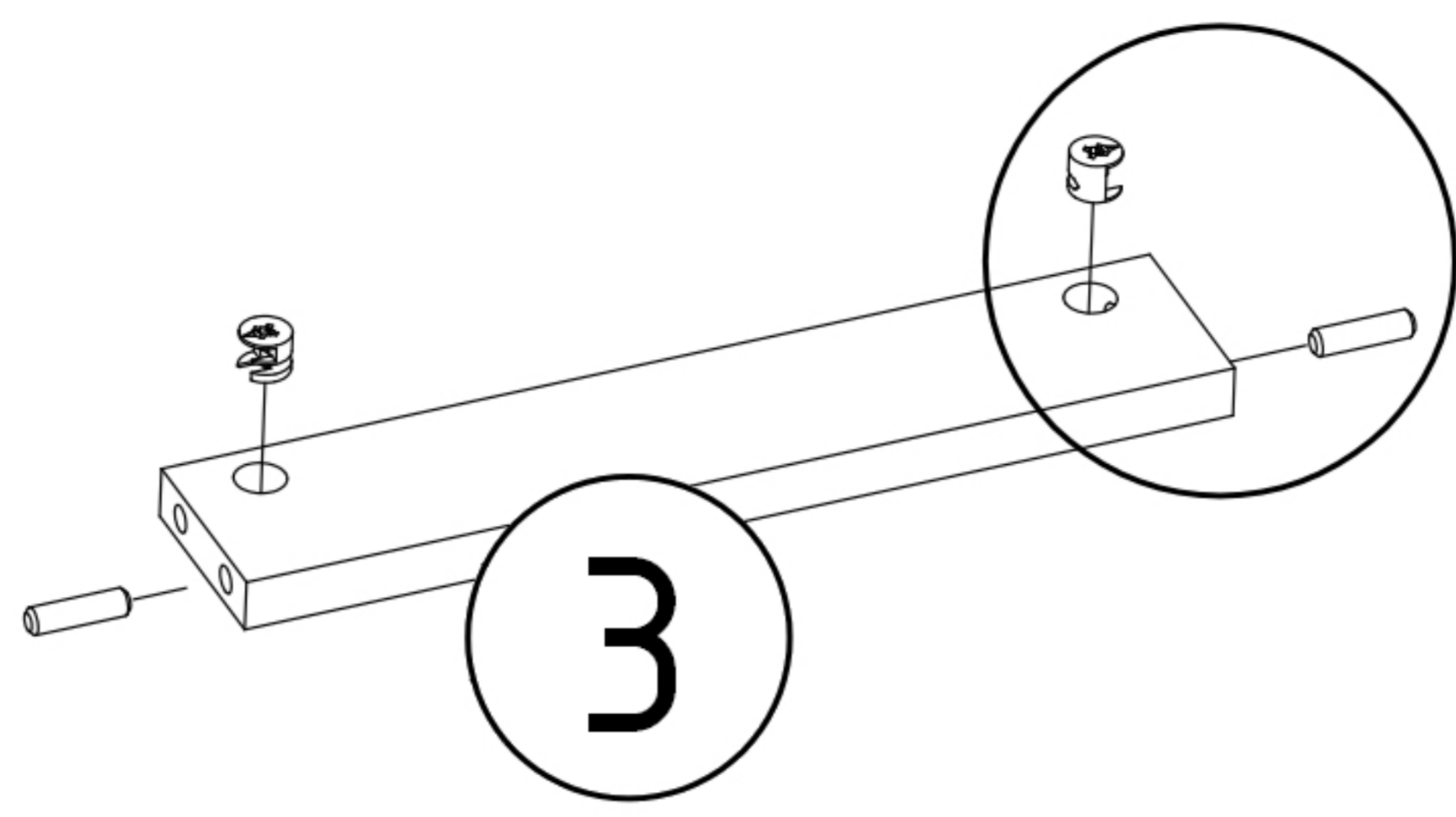
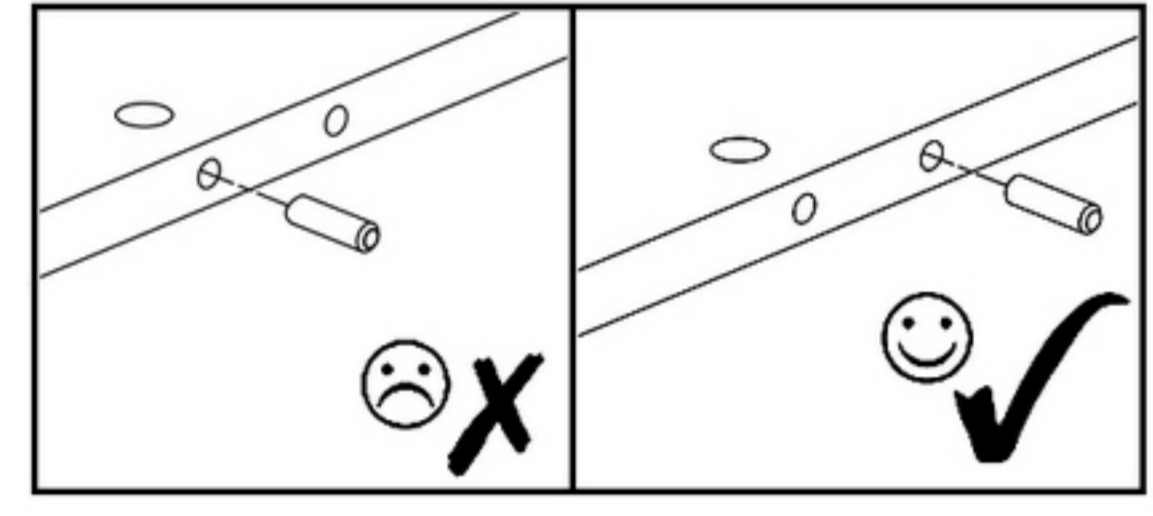
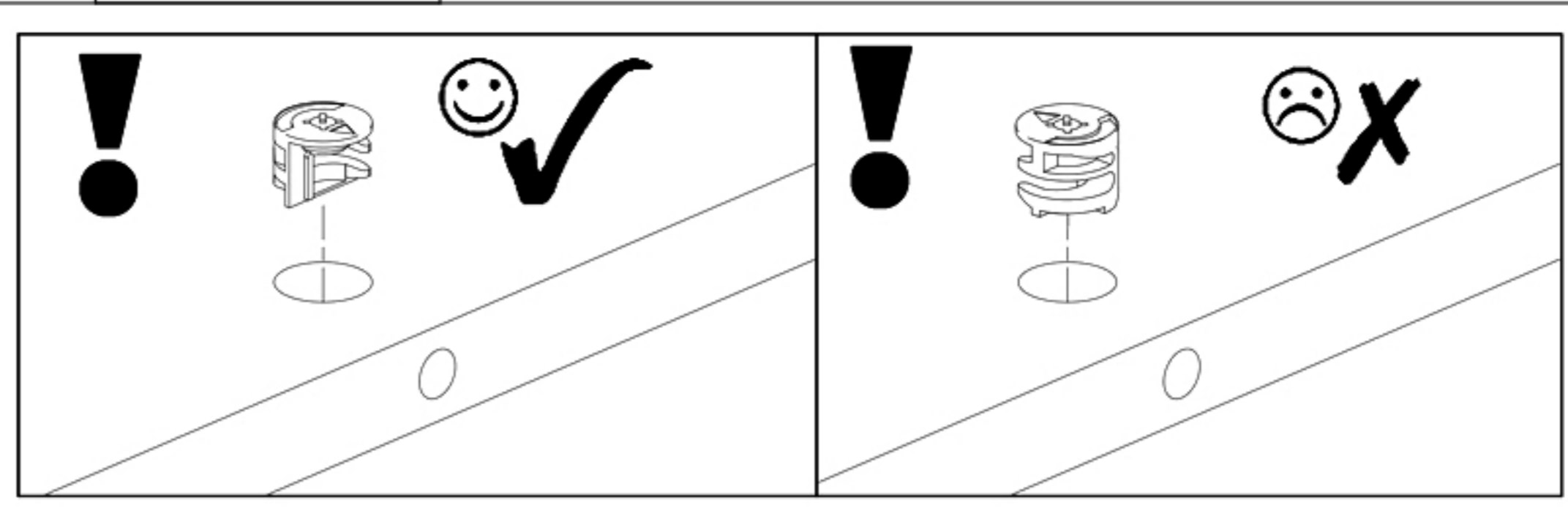
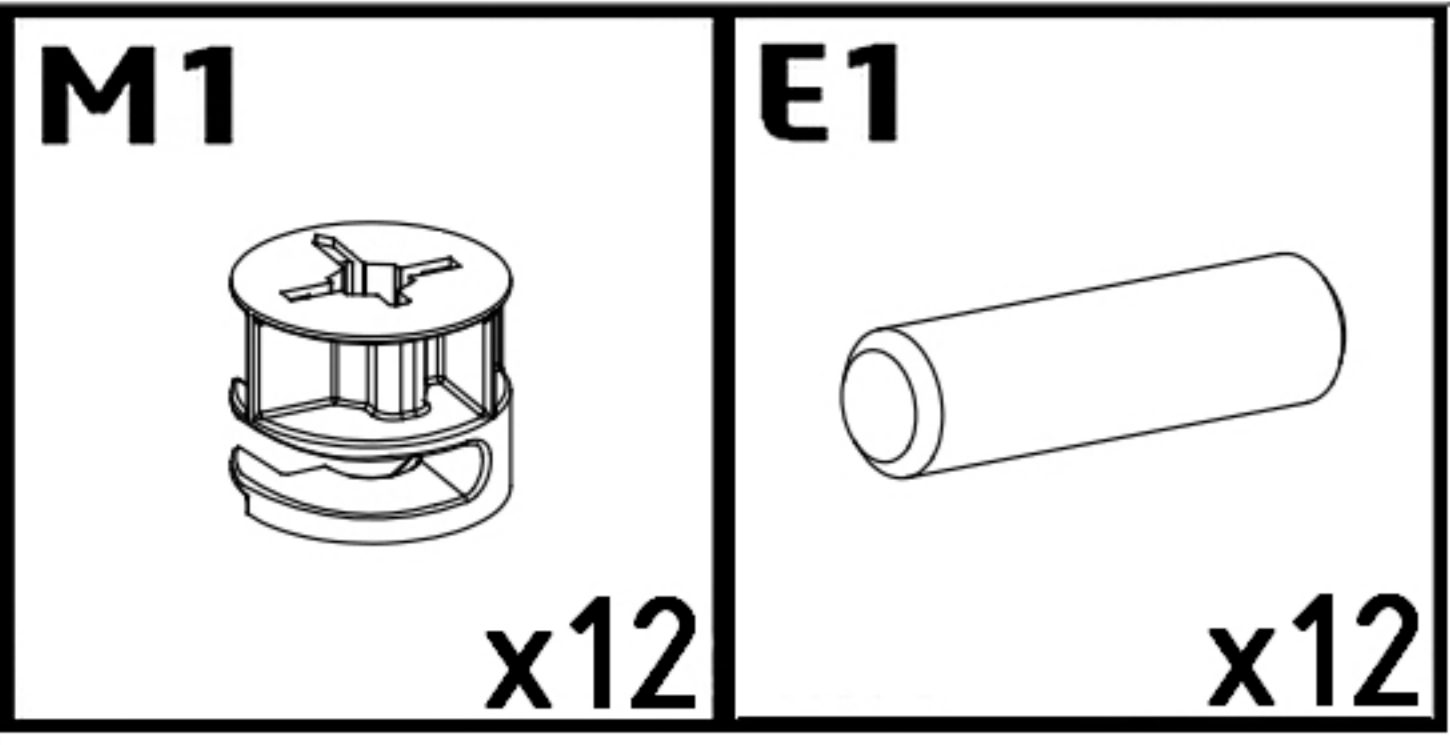
9	x	3
10	x	6
11	x	3
12	x	1
13	x	1
14	x	1
15	x	2

N1  x6	M1  x2	P4  x3	S2  x6	E1  x2	T1  x2
---	--	--	--	---	--

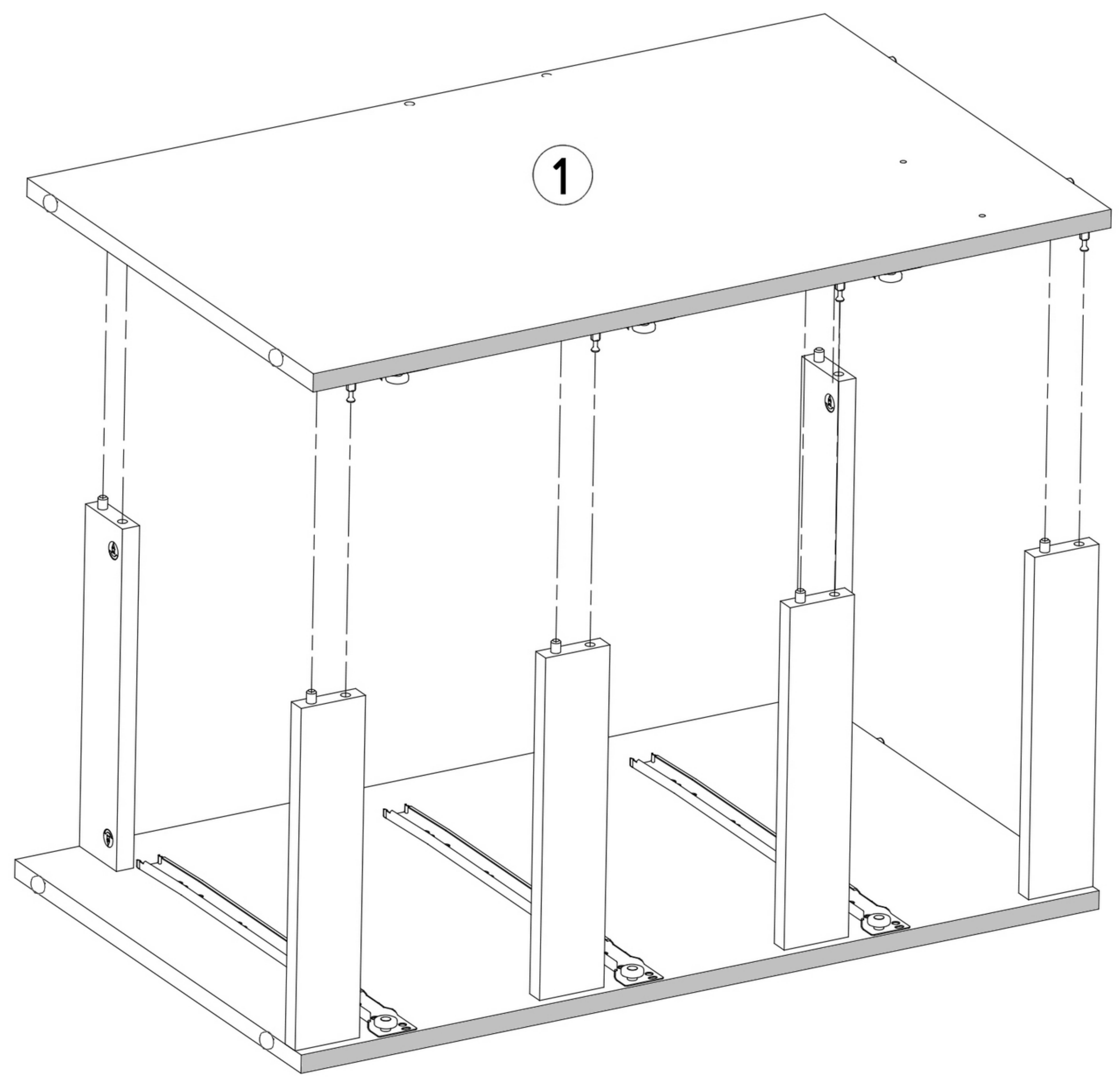
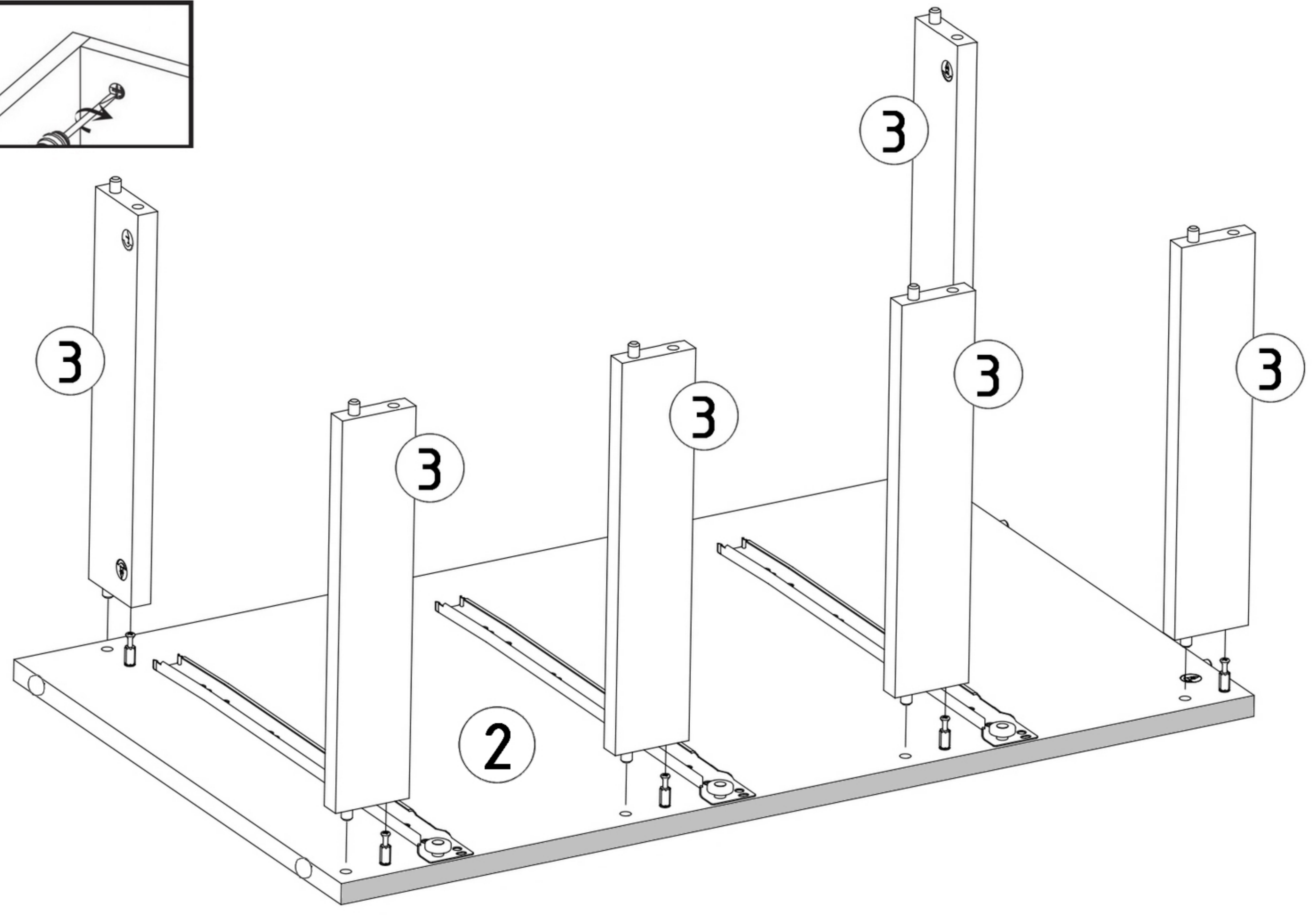
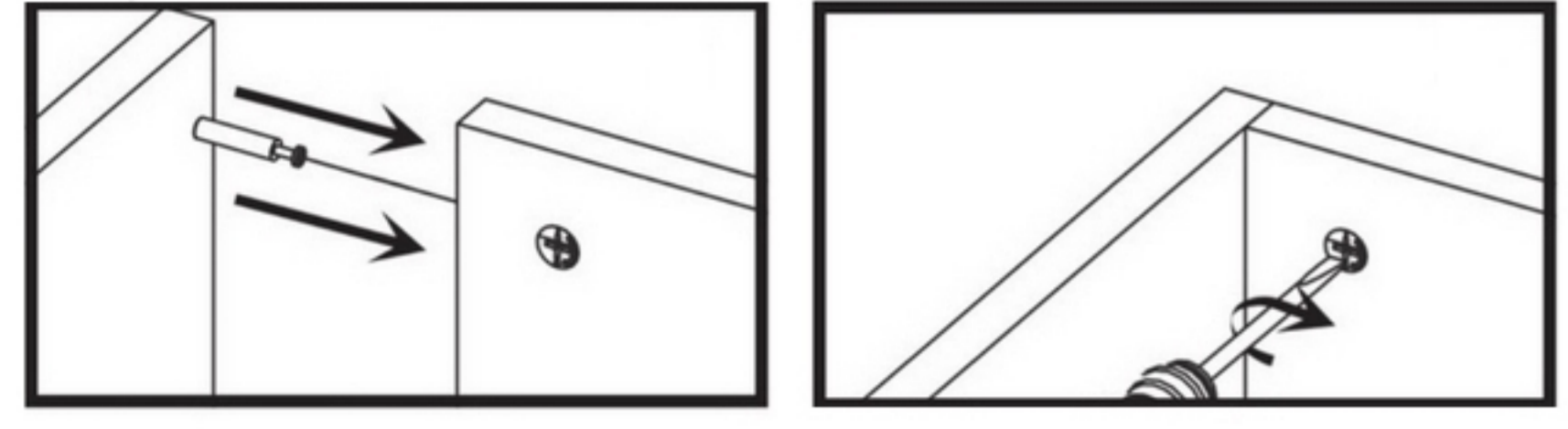





N1  x6	M1  x2	P4  x3	S2  x6	E1  x2	T1  x2
---	--	--	--	---	--

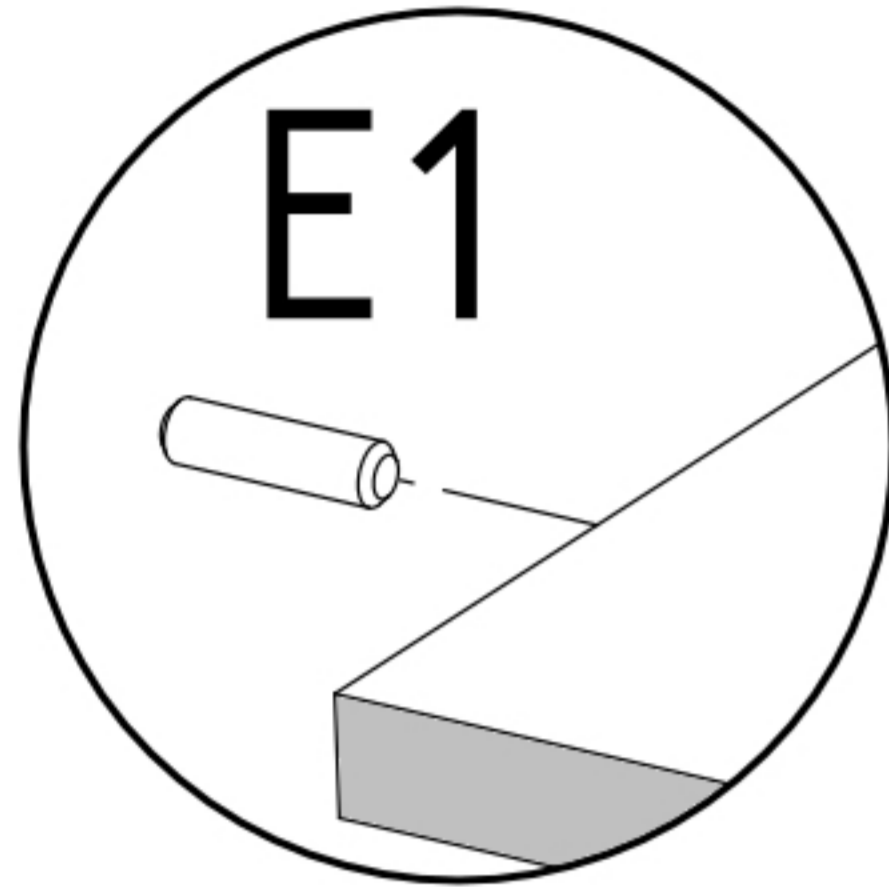
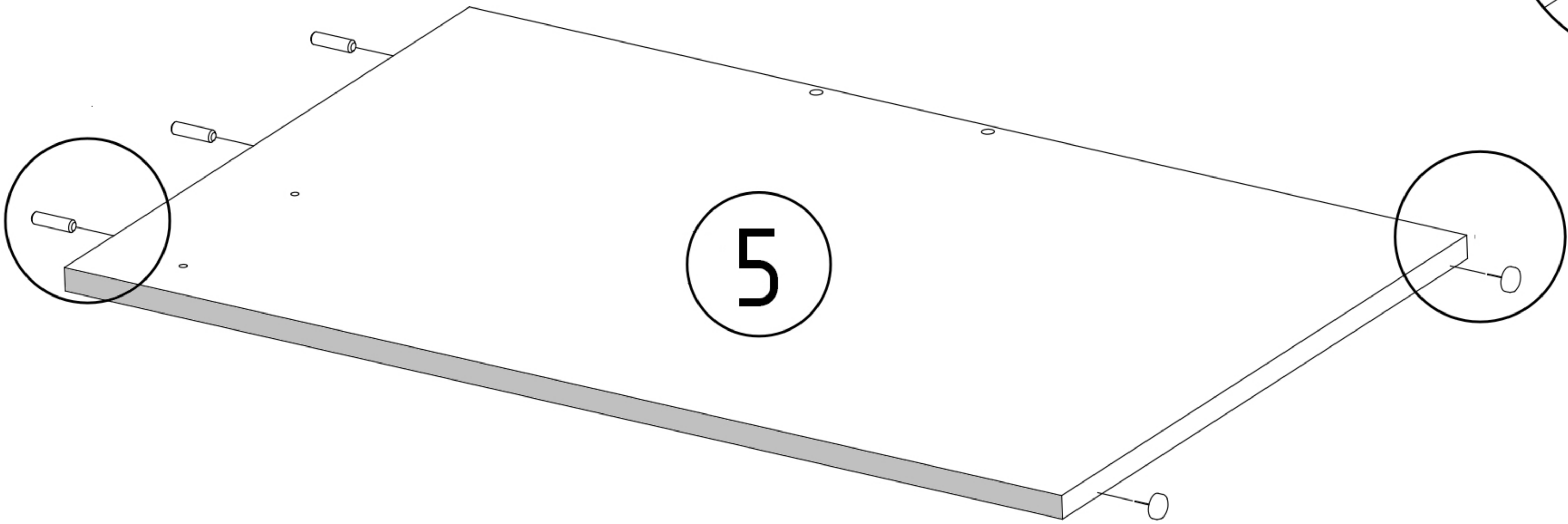
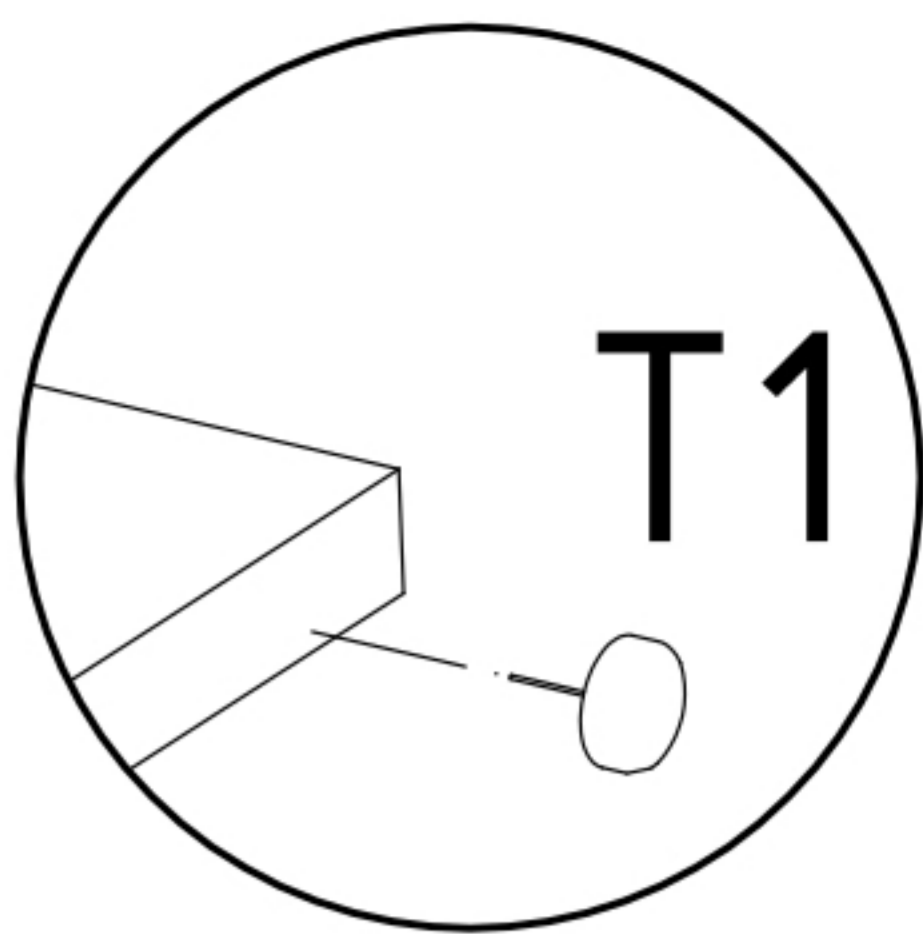
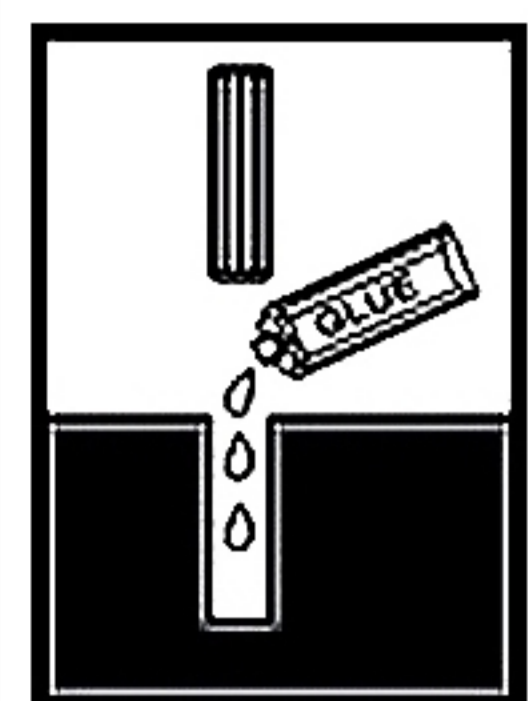


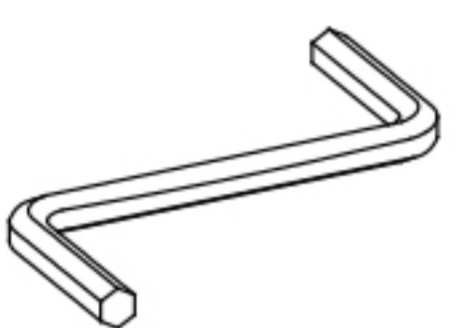
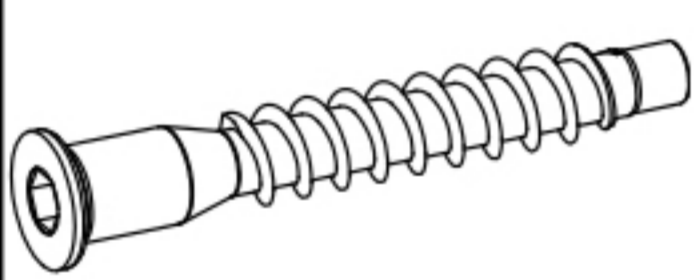


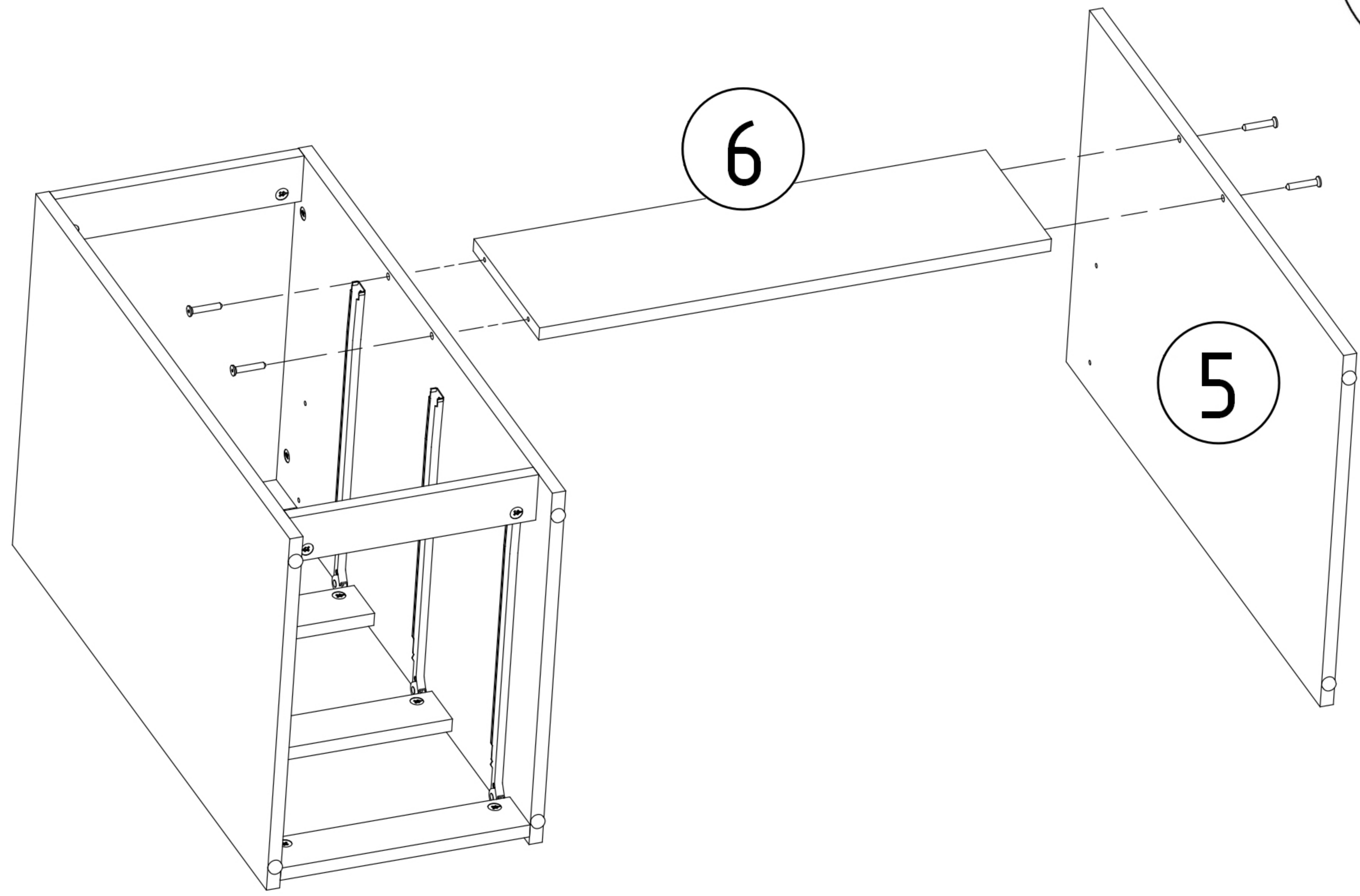
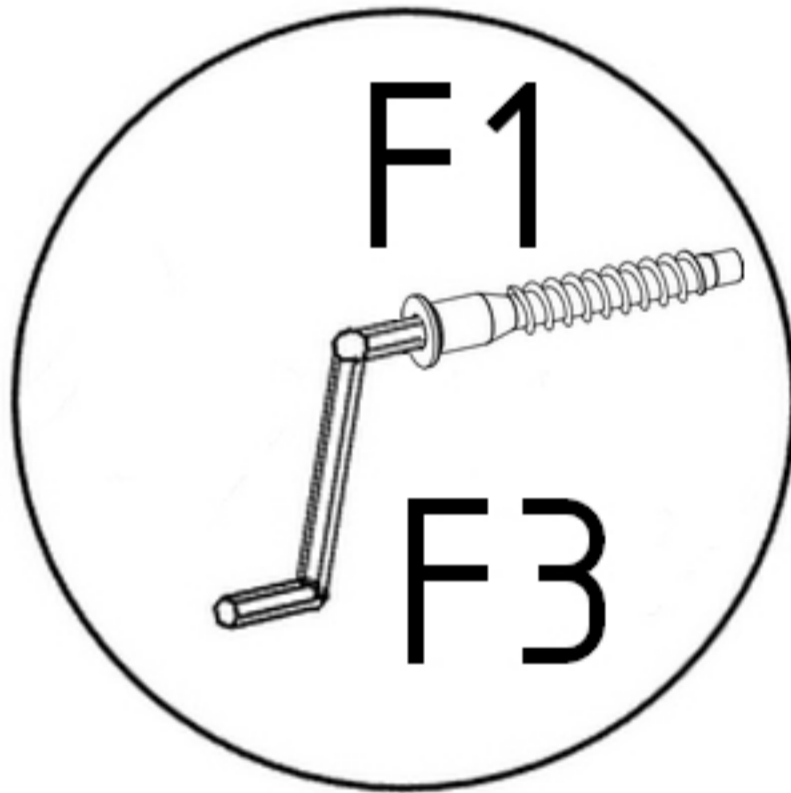
x6

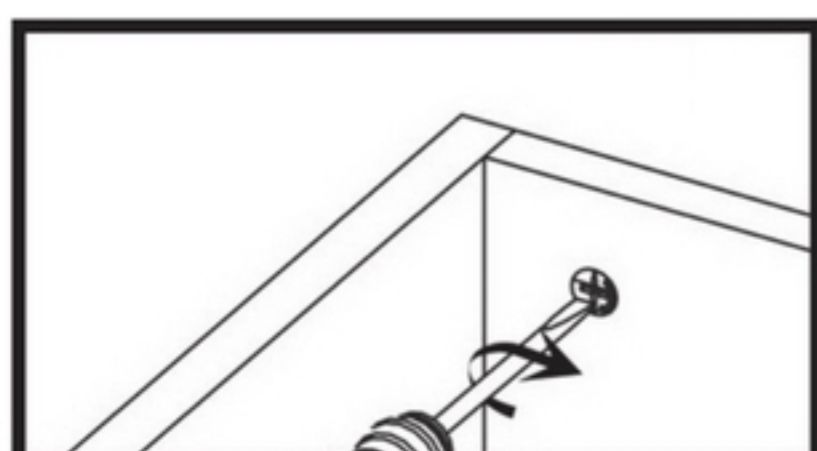
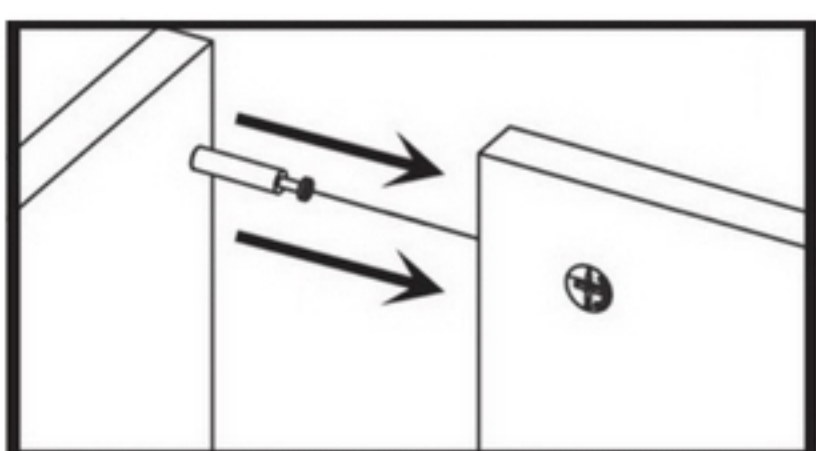
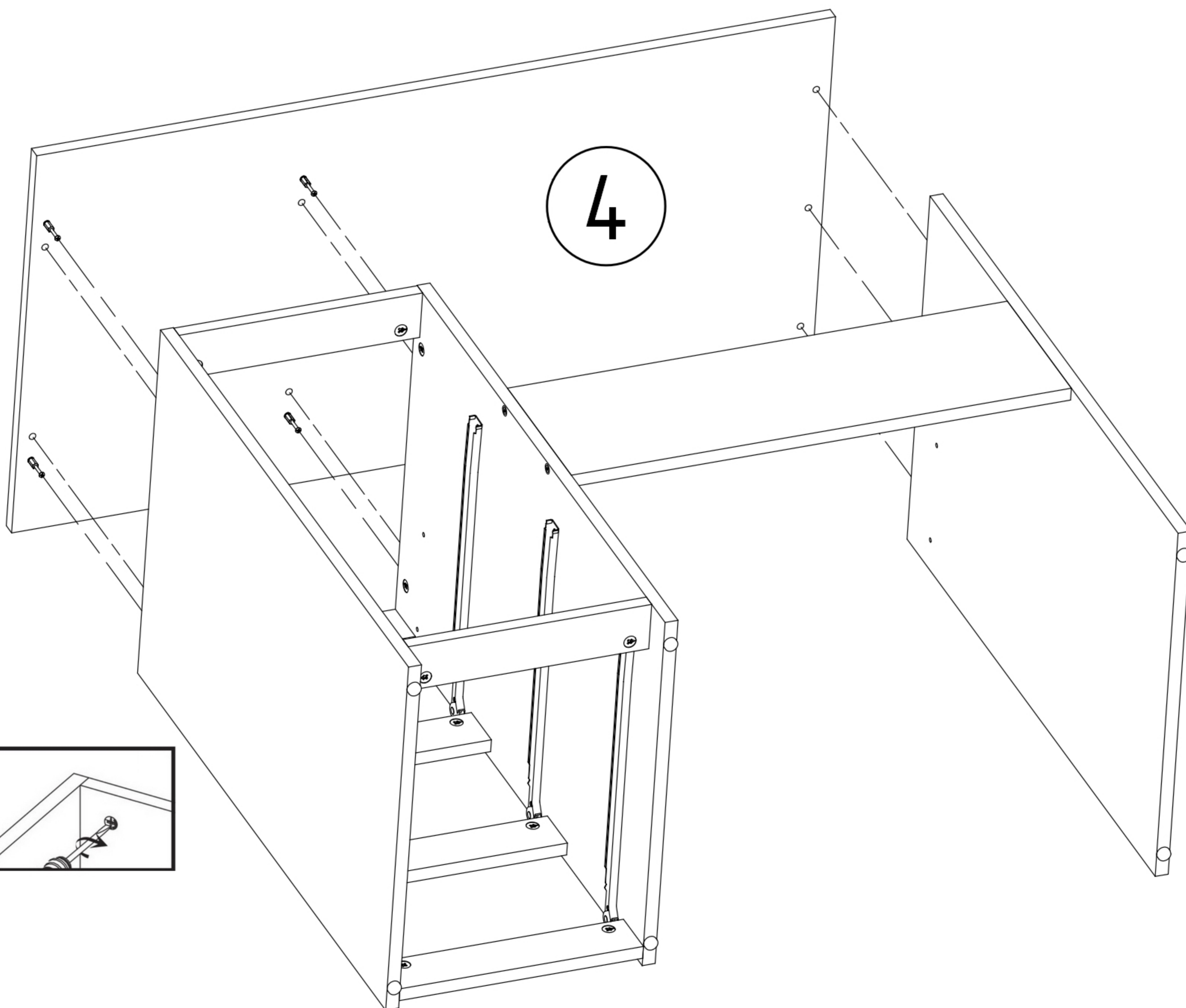
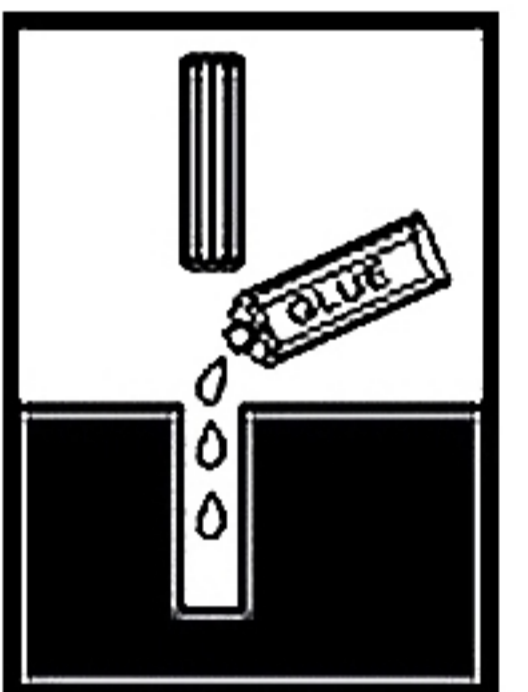
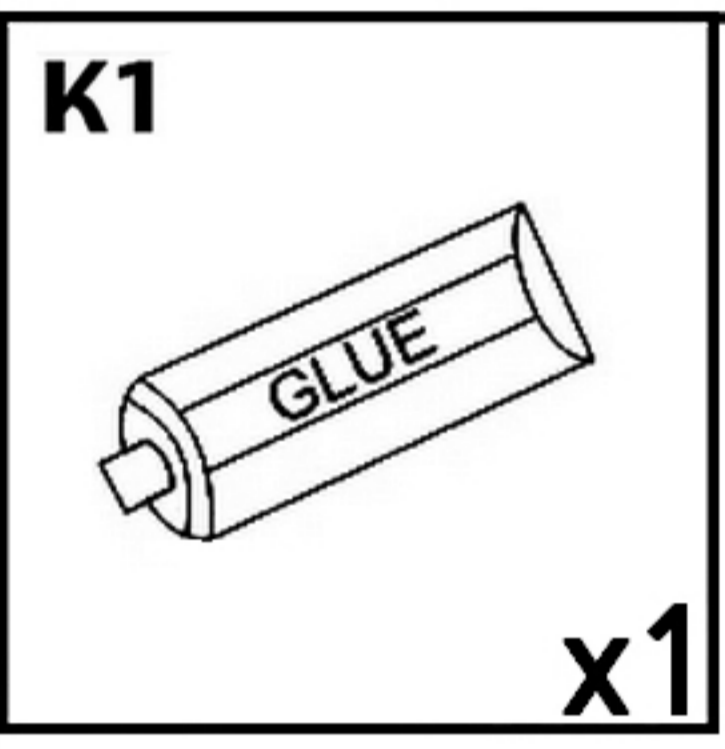
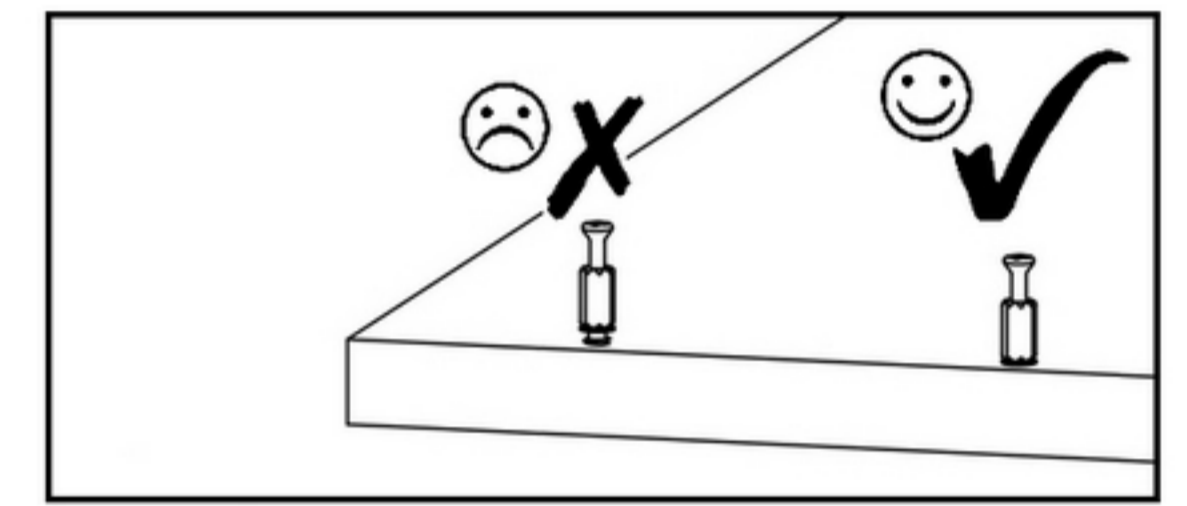
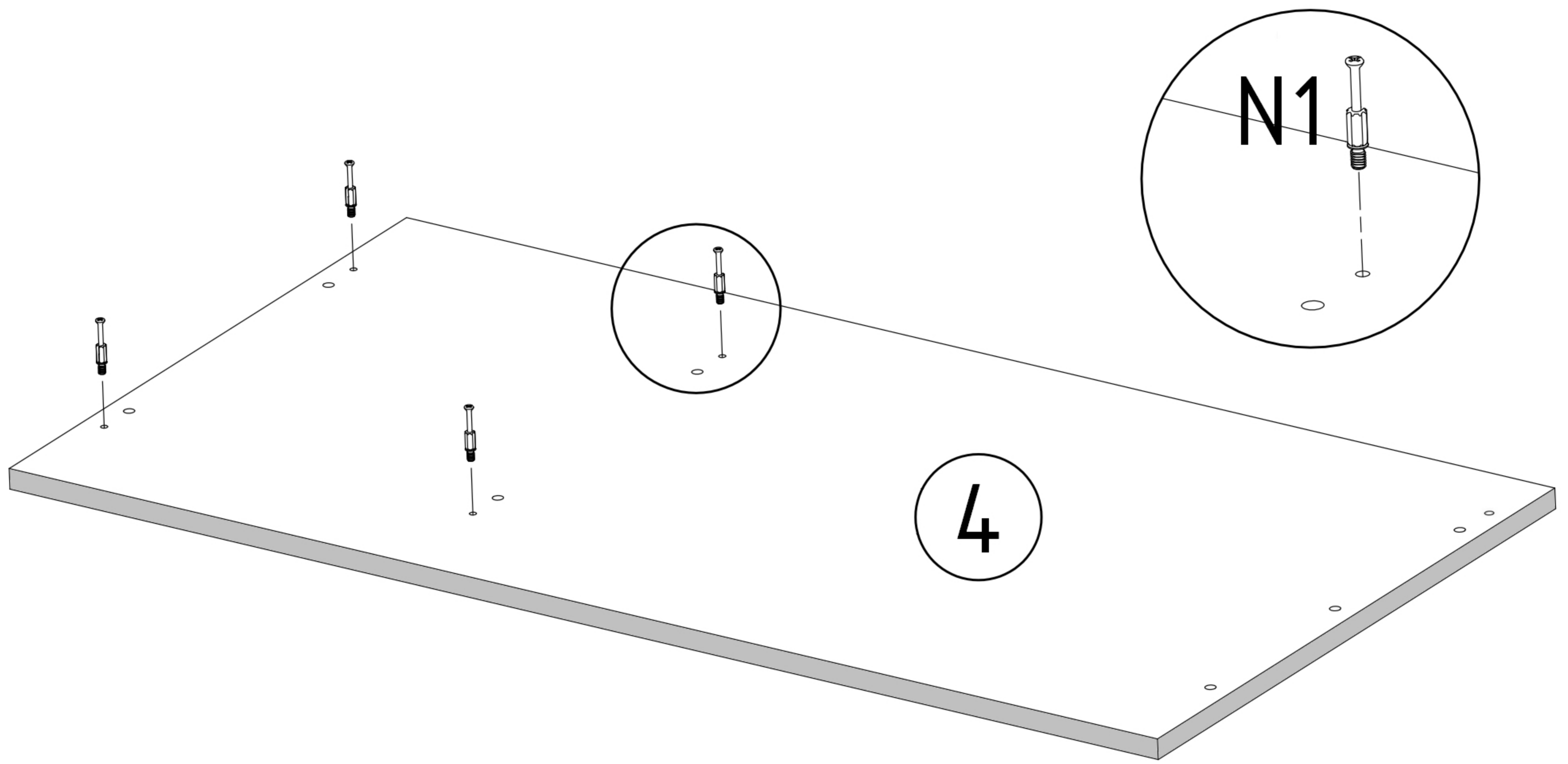
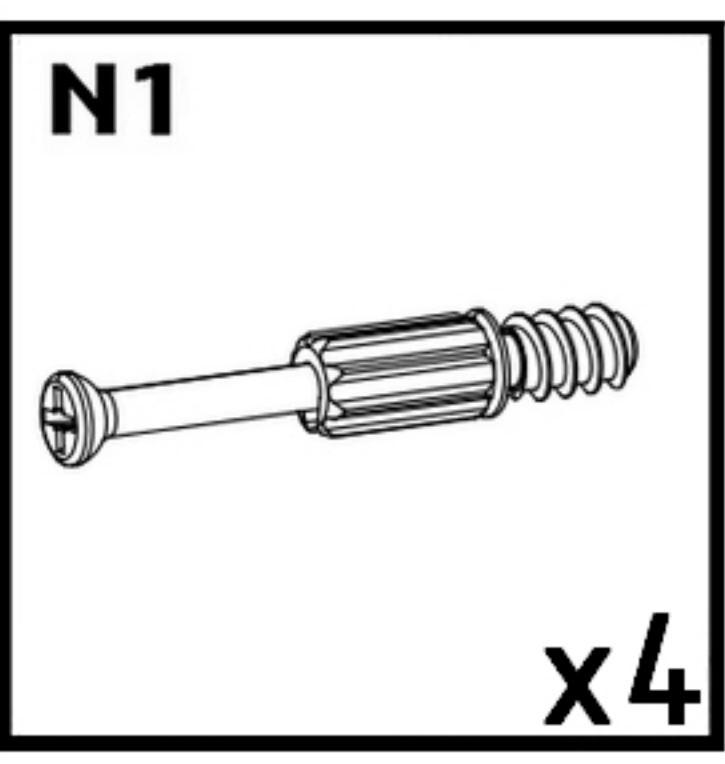


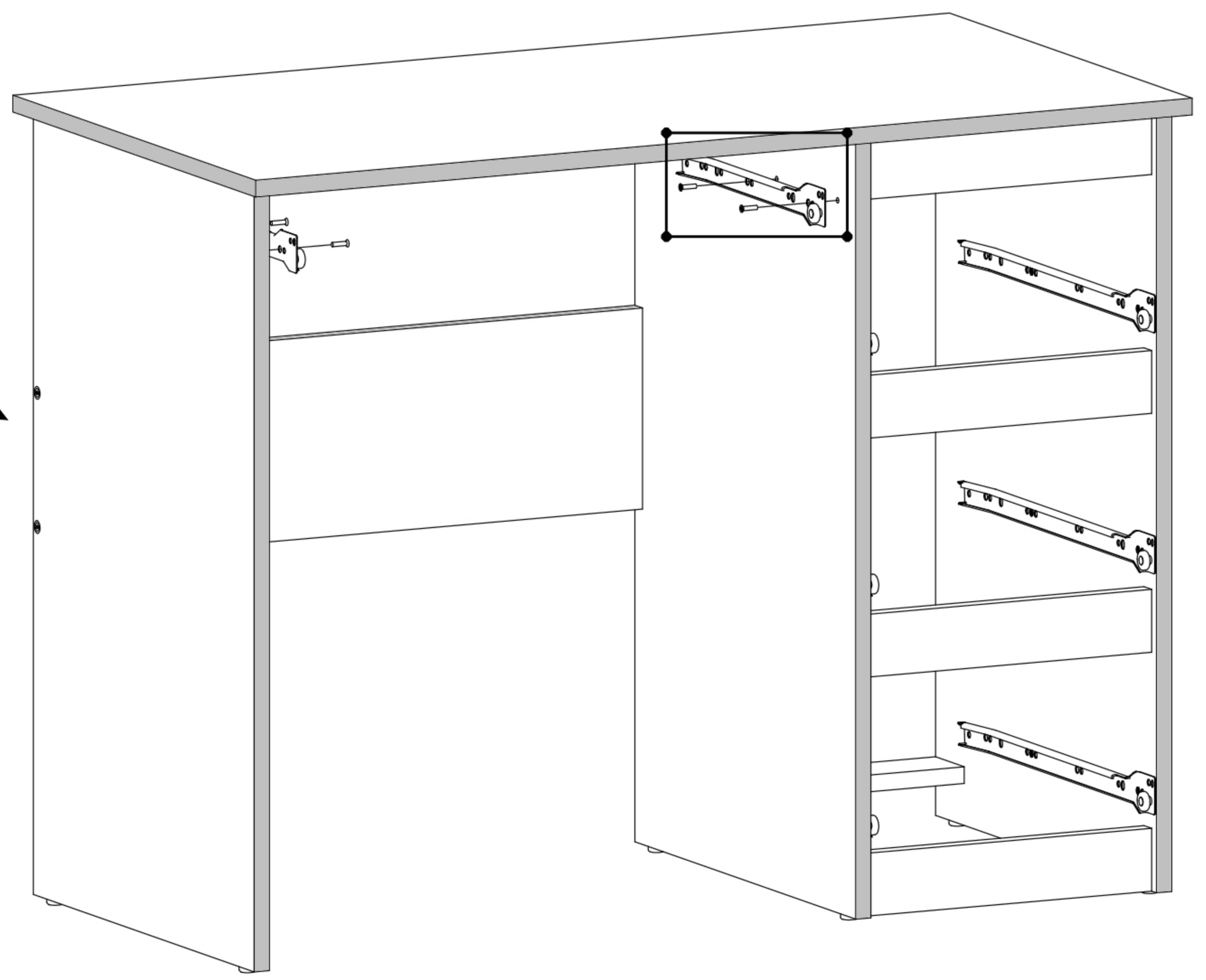
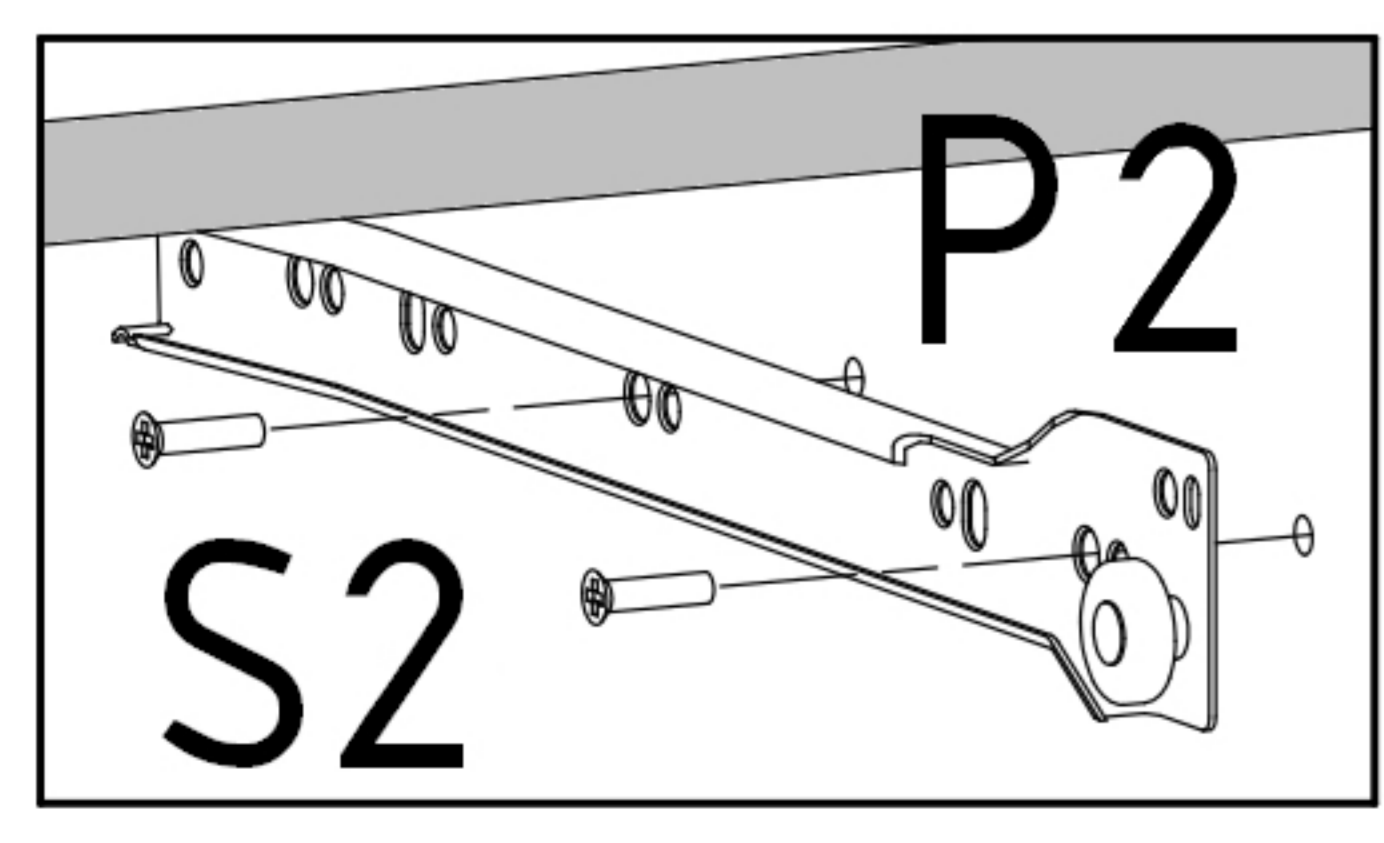
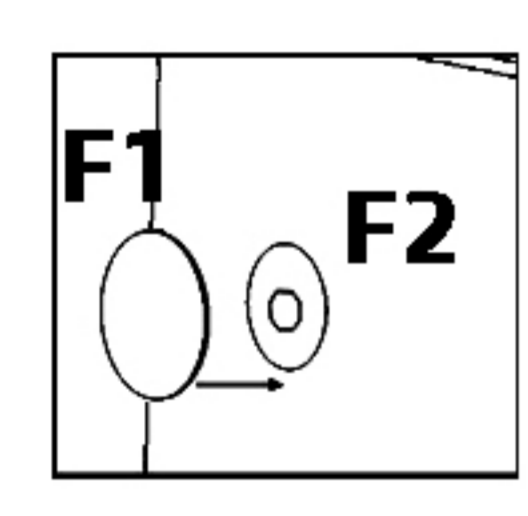
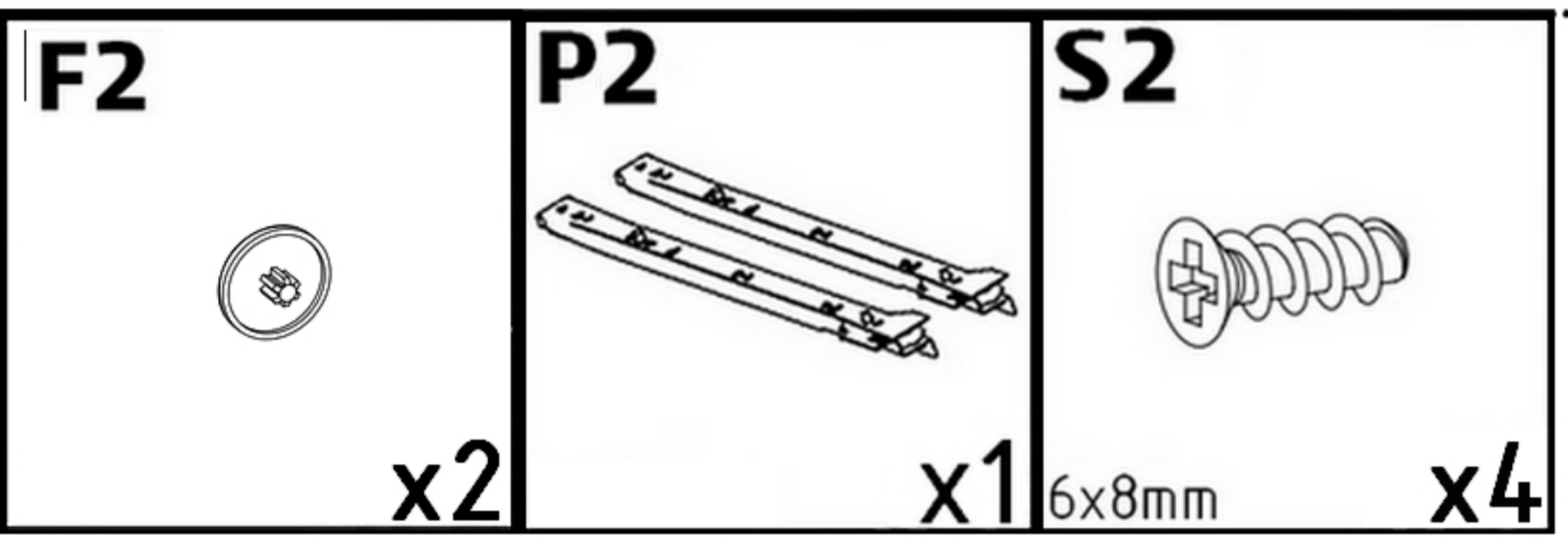
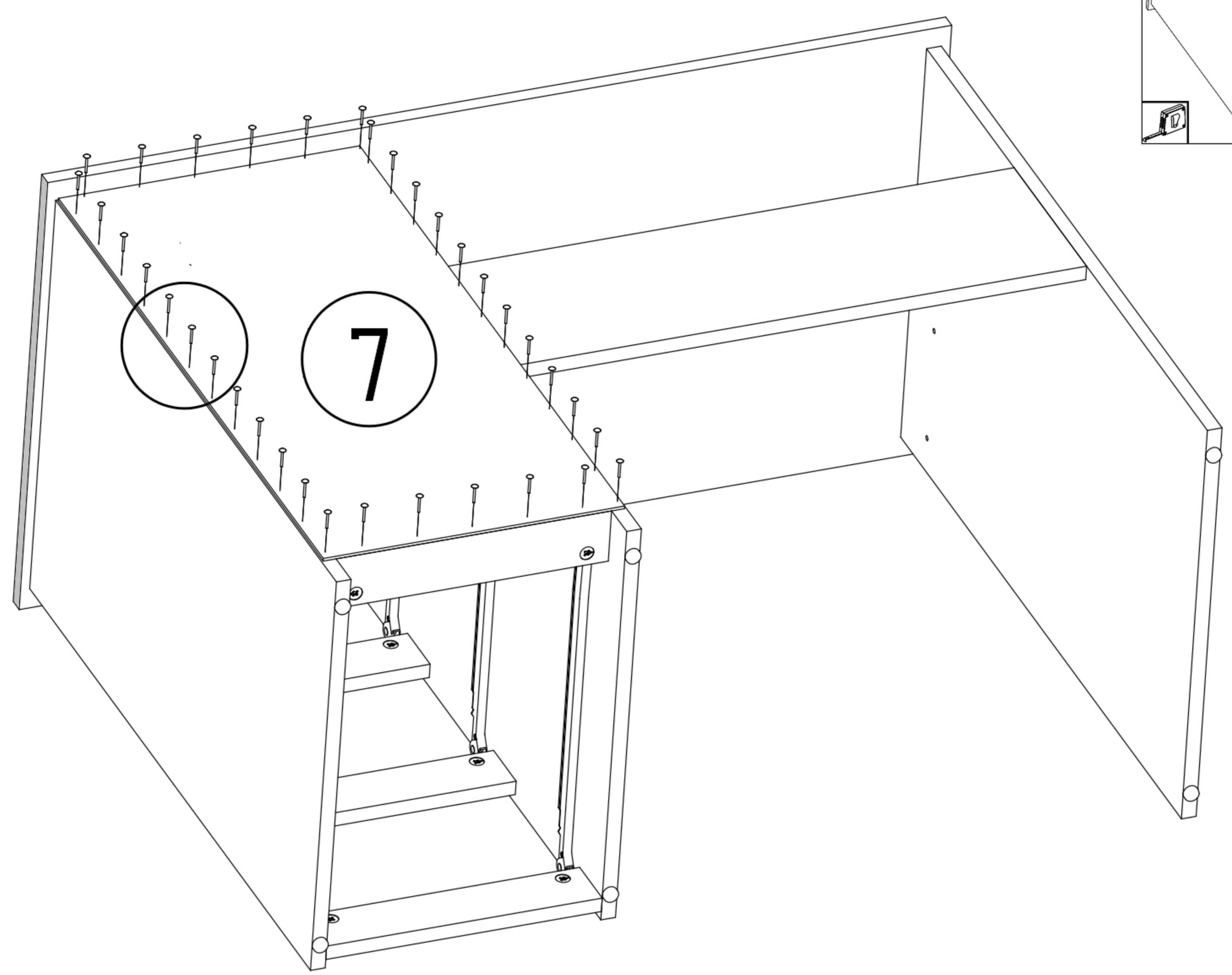
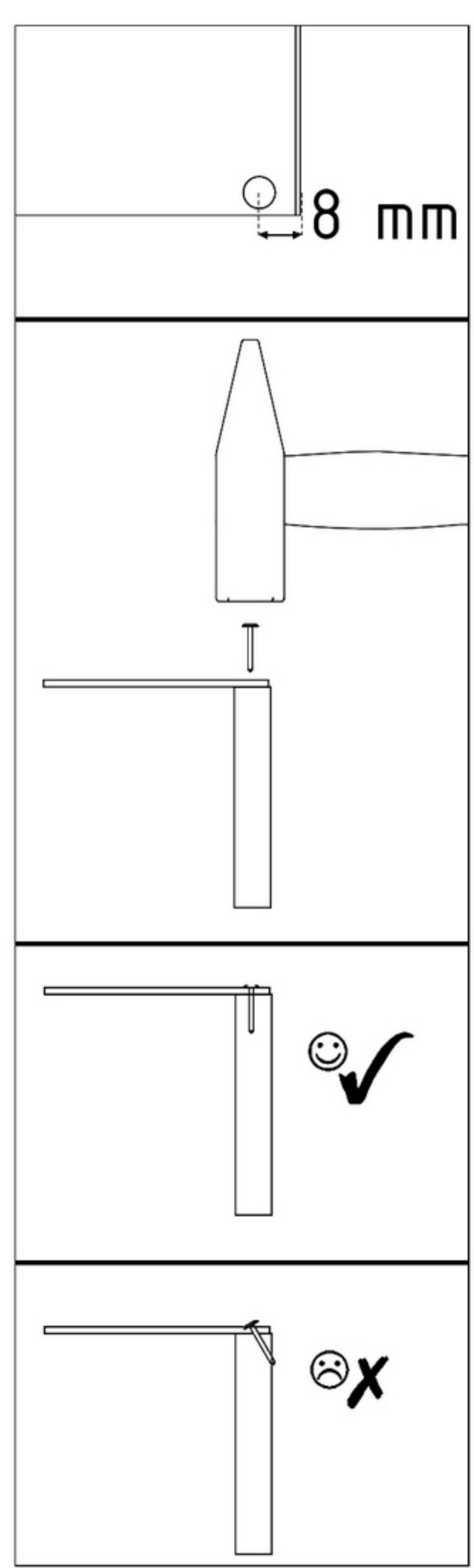
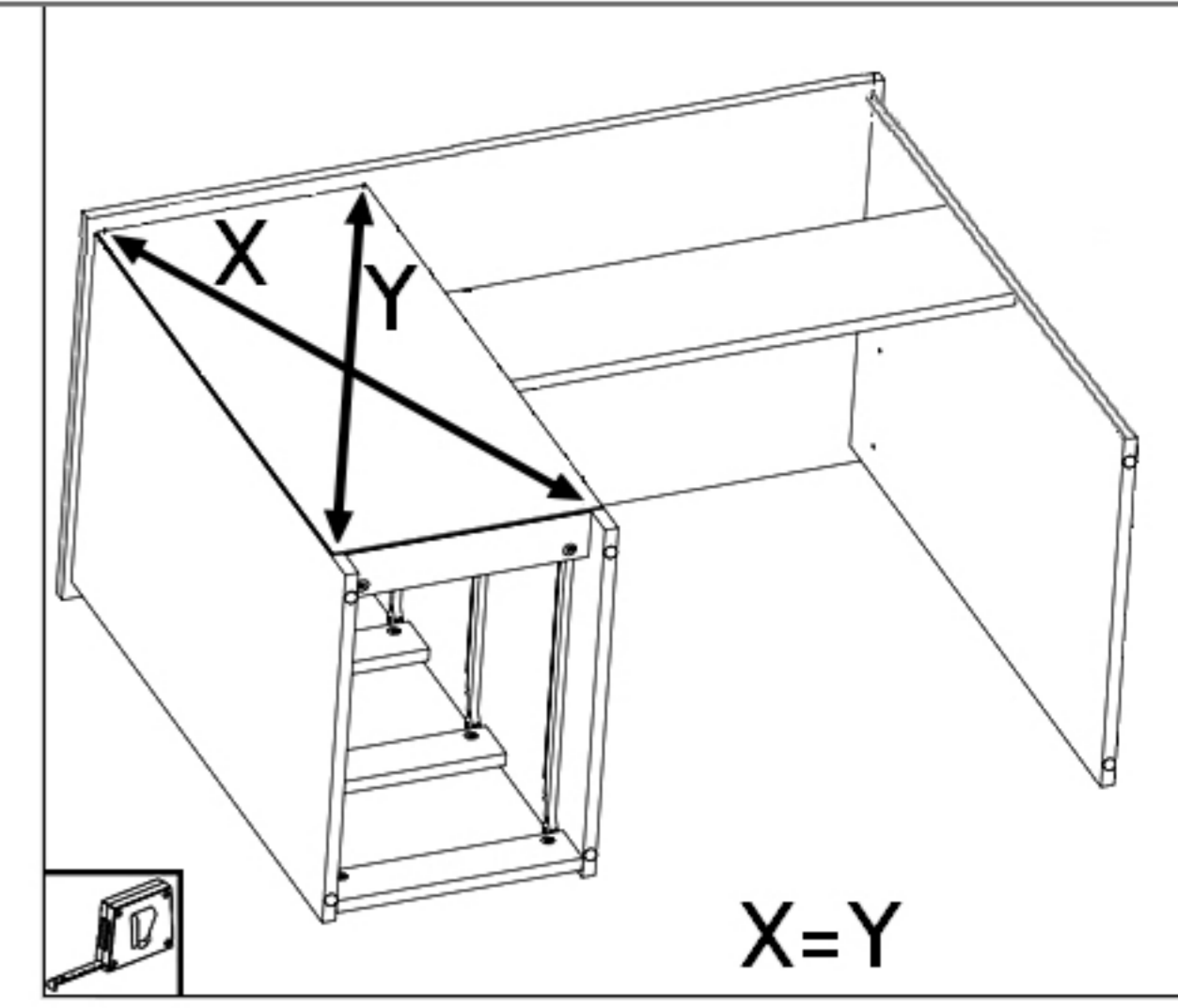
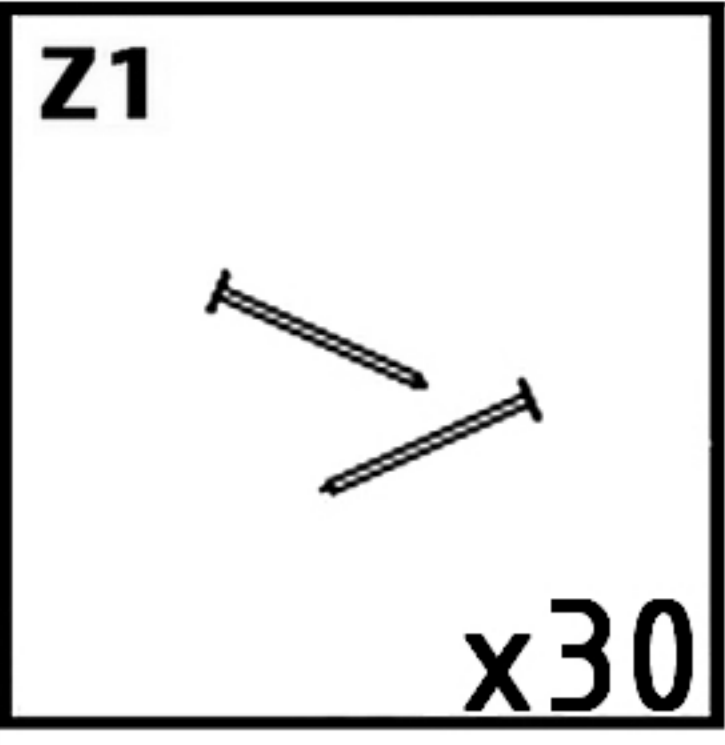
T1  x2	K1  x1	E1  x3
---	--	--

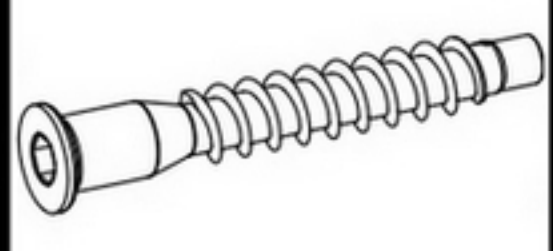
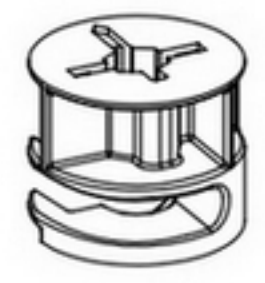
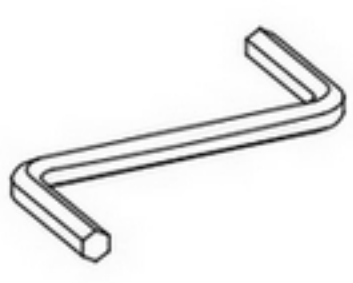


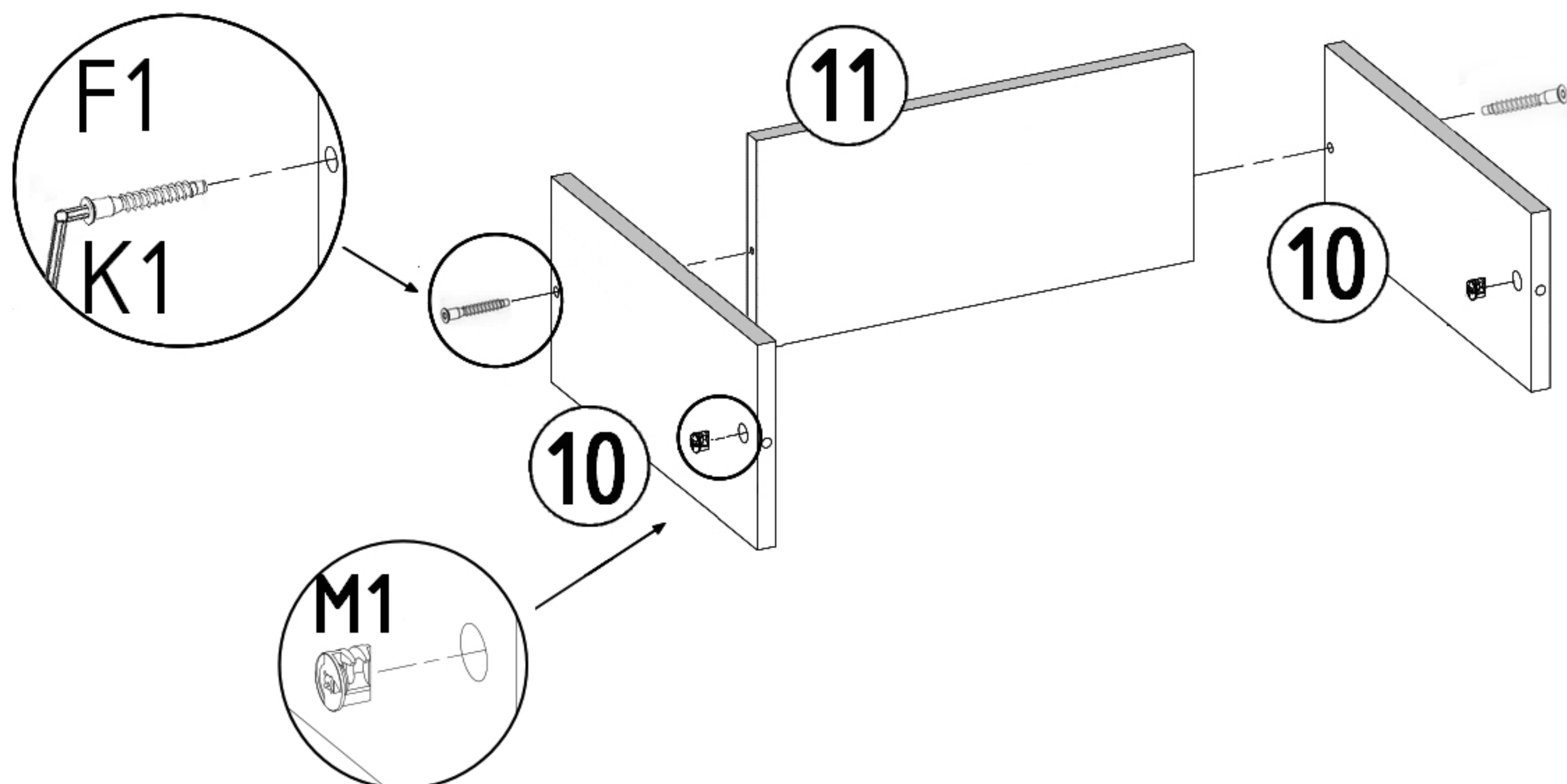
F3  x1	F1  x4
---	--



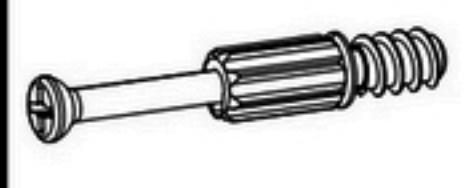


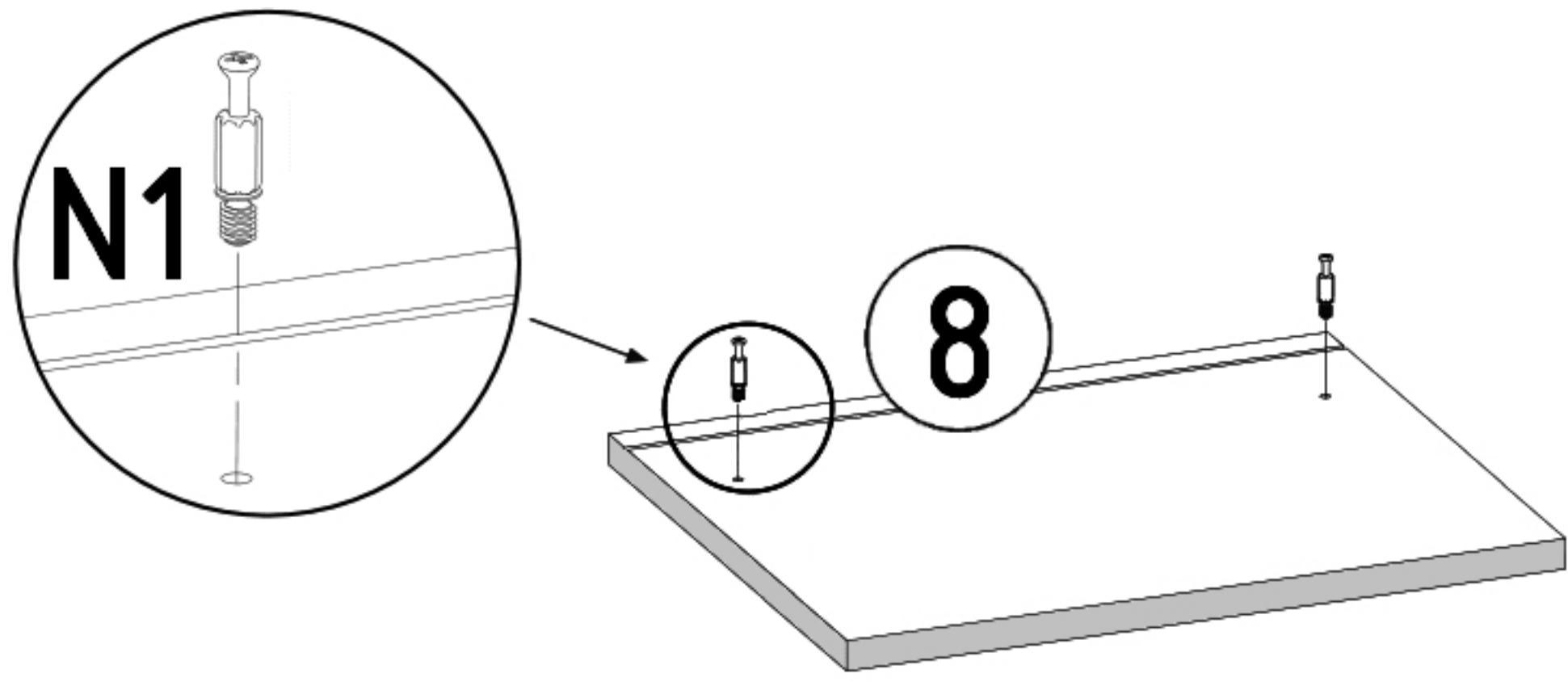


F1  7x50mm x6	M1  12x15mm x6	K1  x1
--	--	--

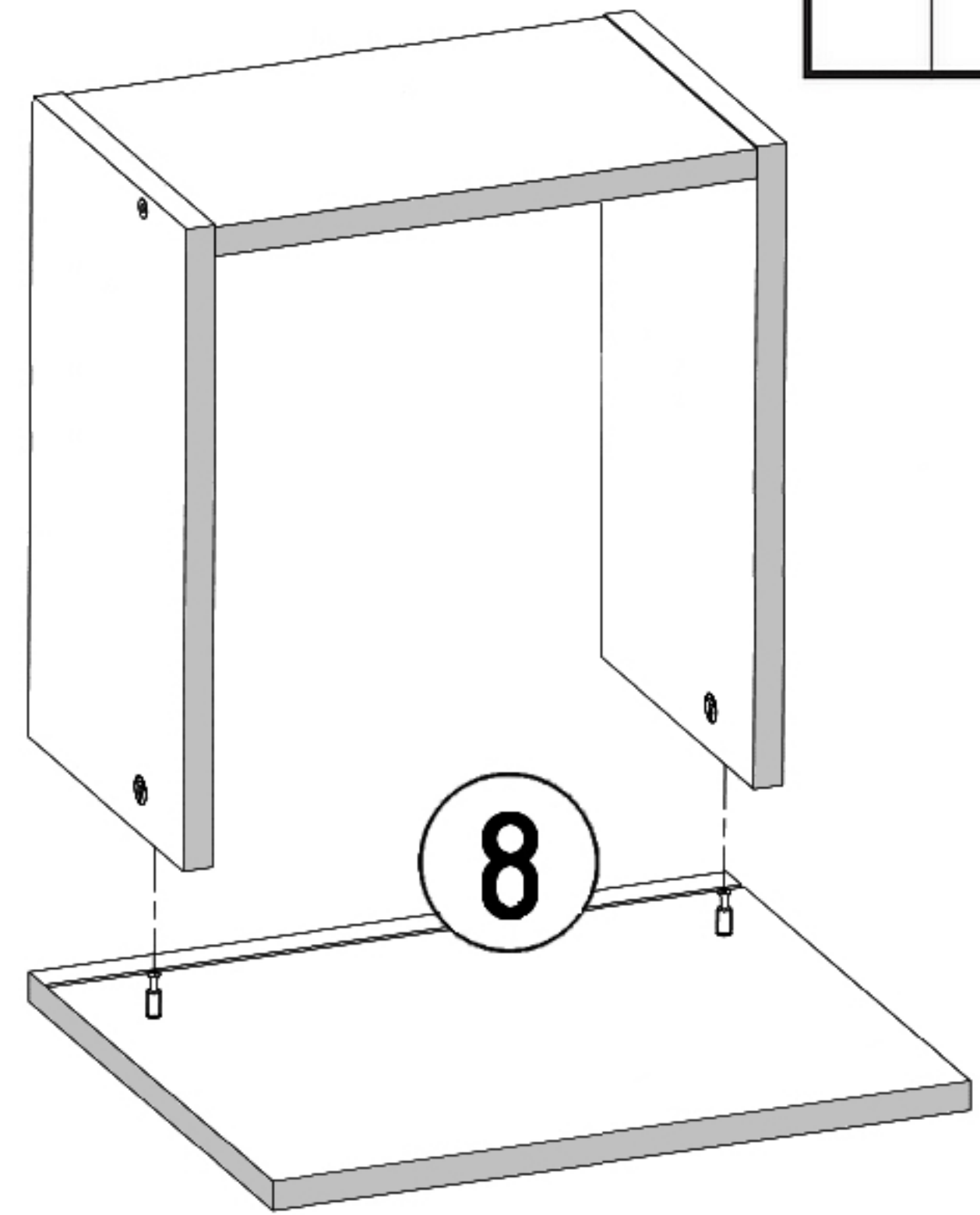
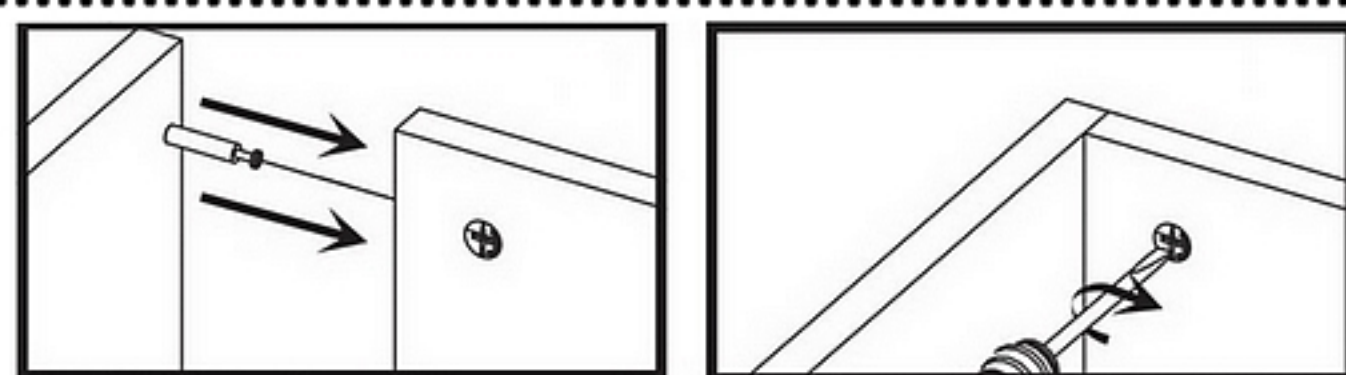


x3

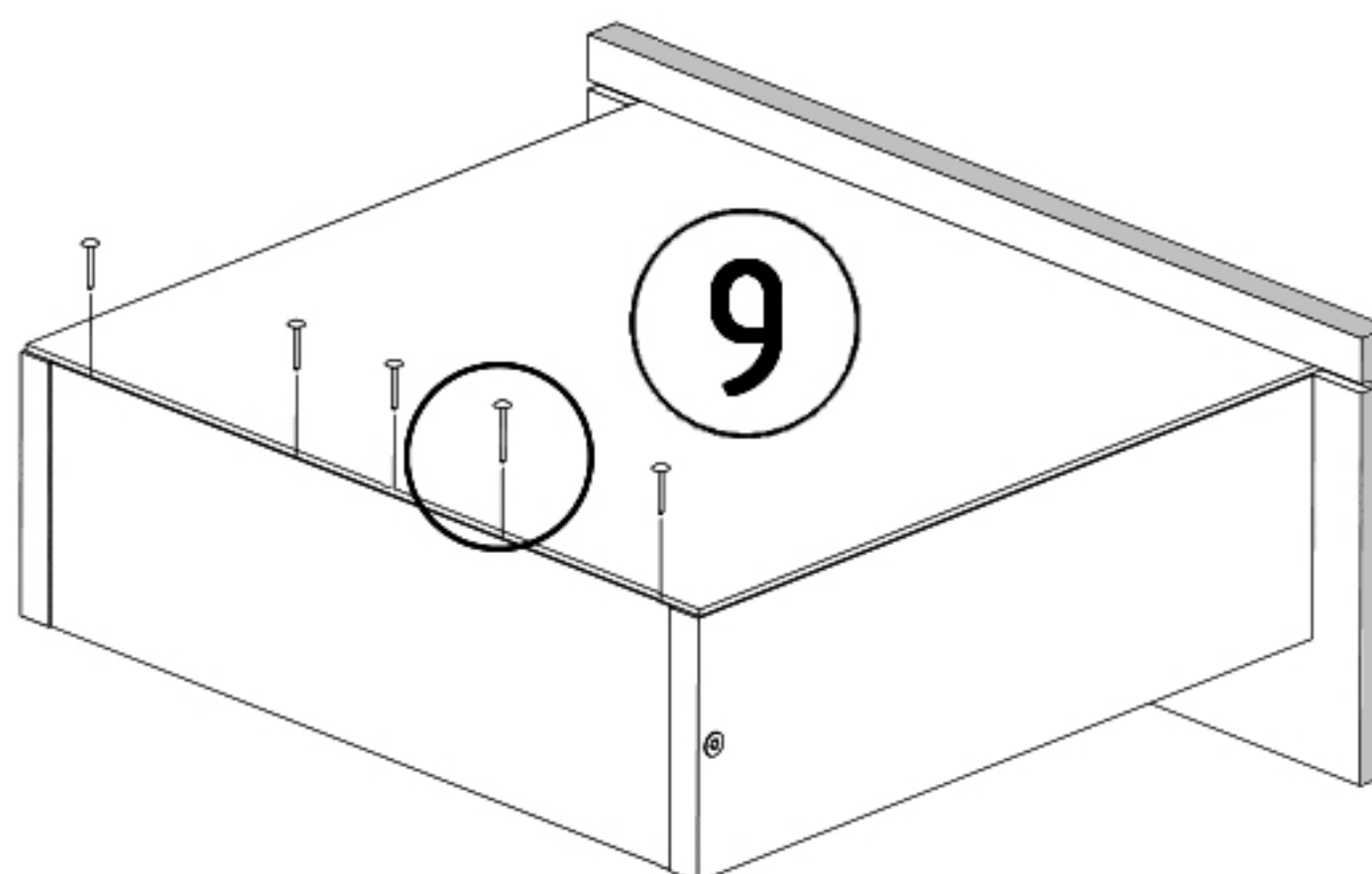
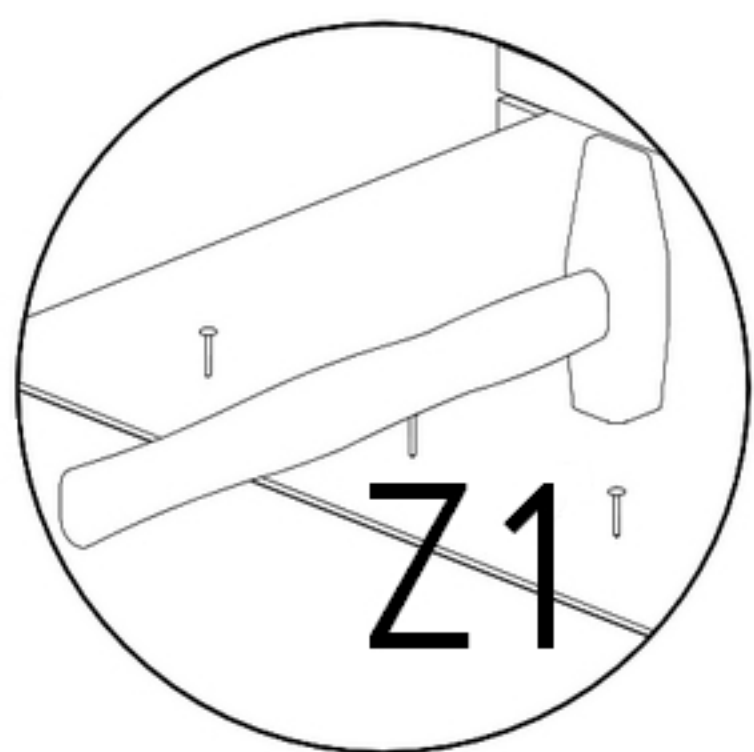
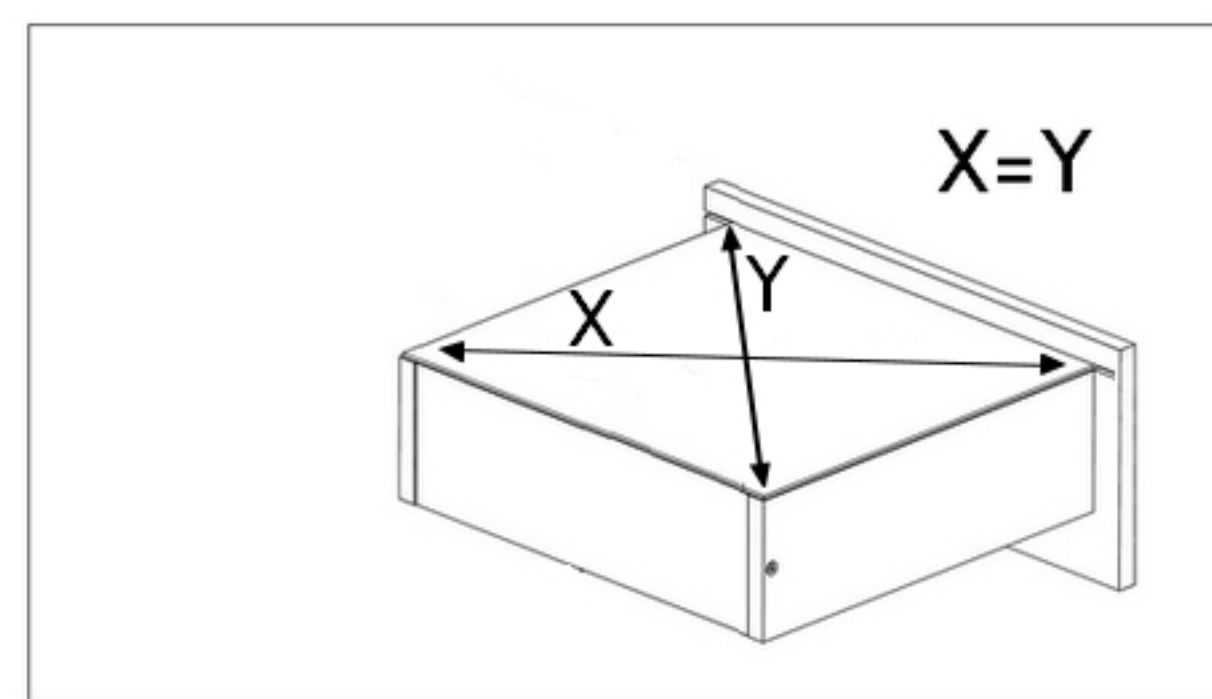
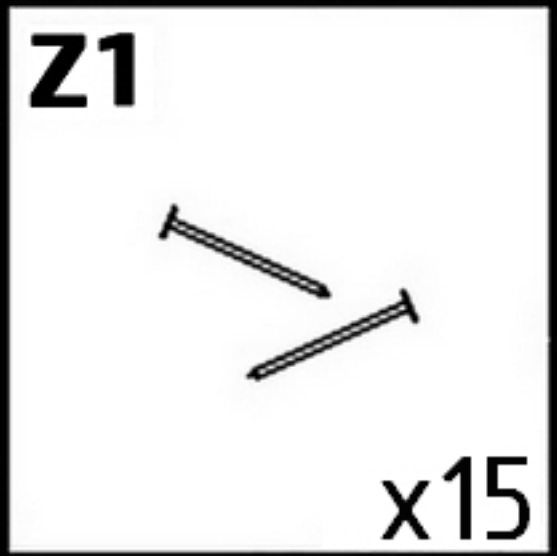
N1  x6



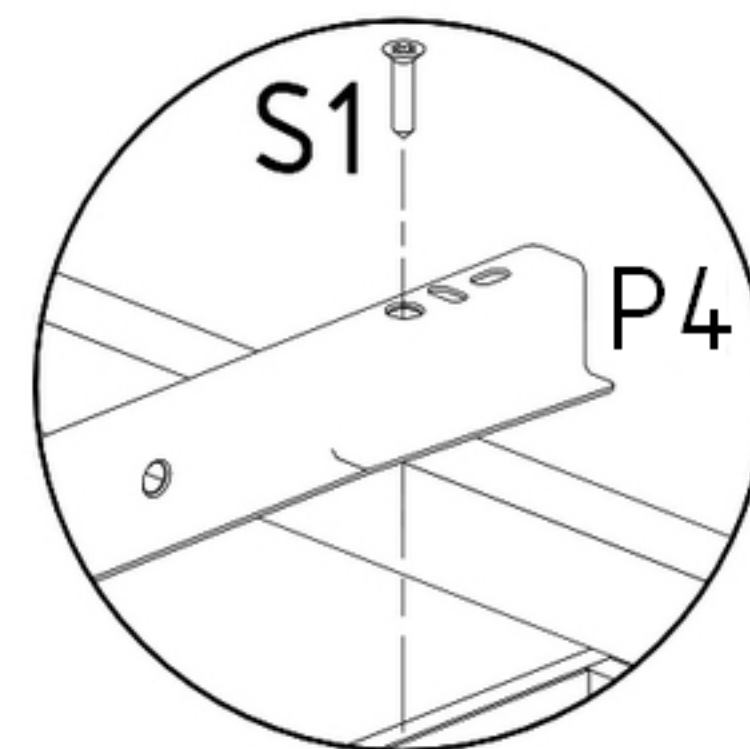
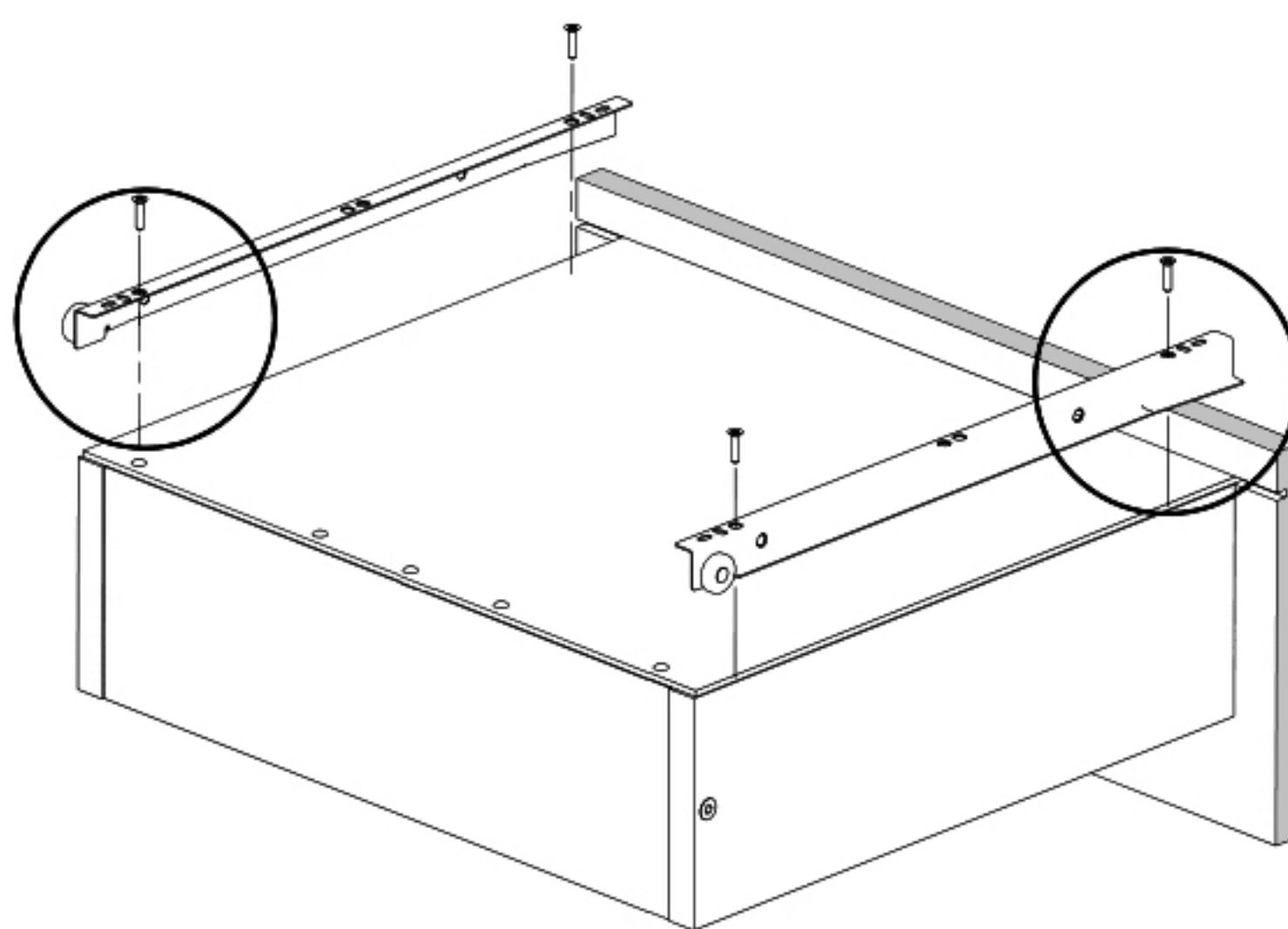
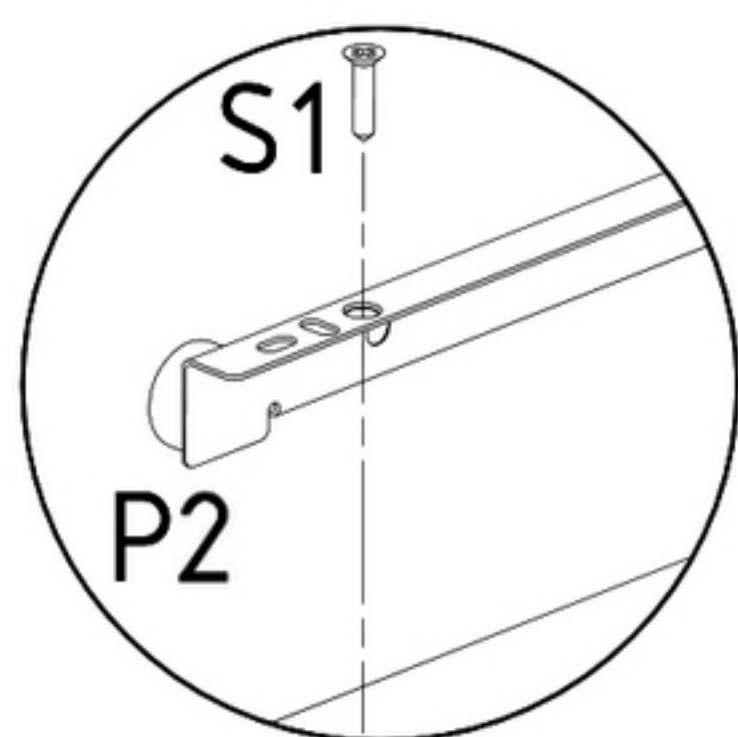
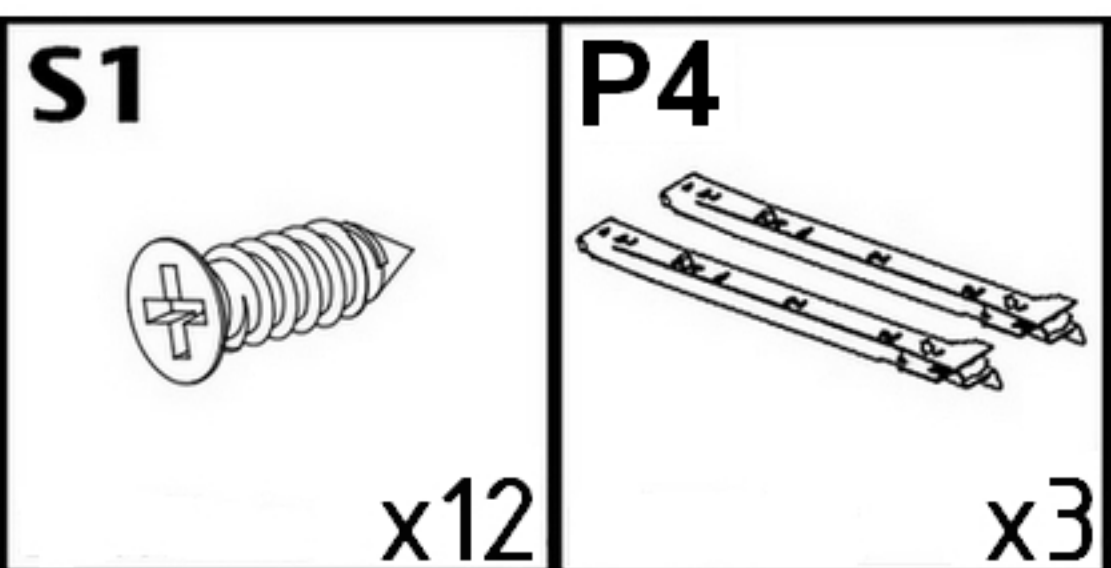
x3



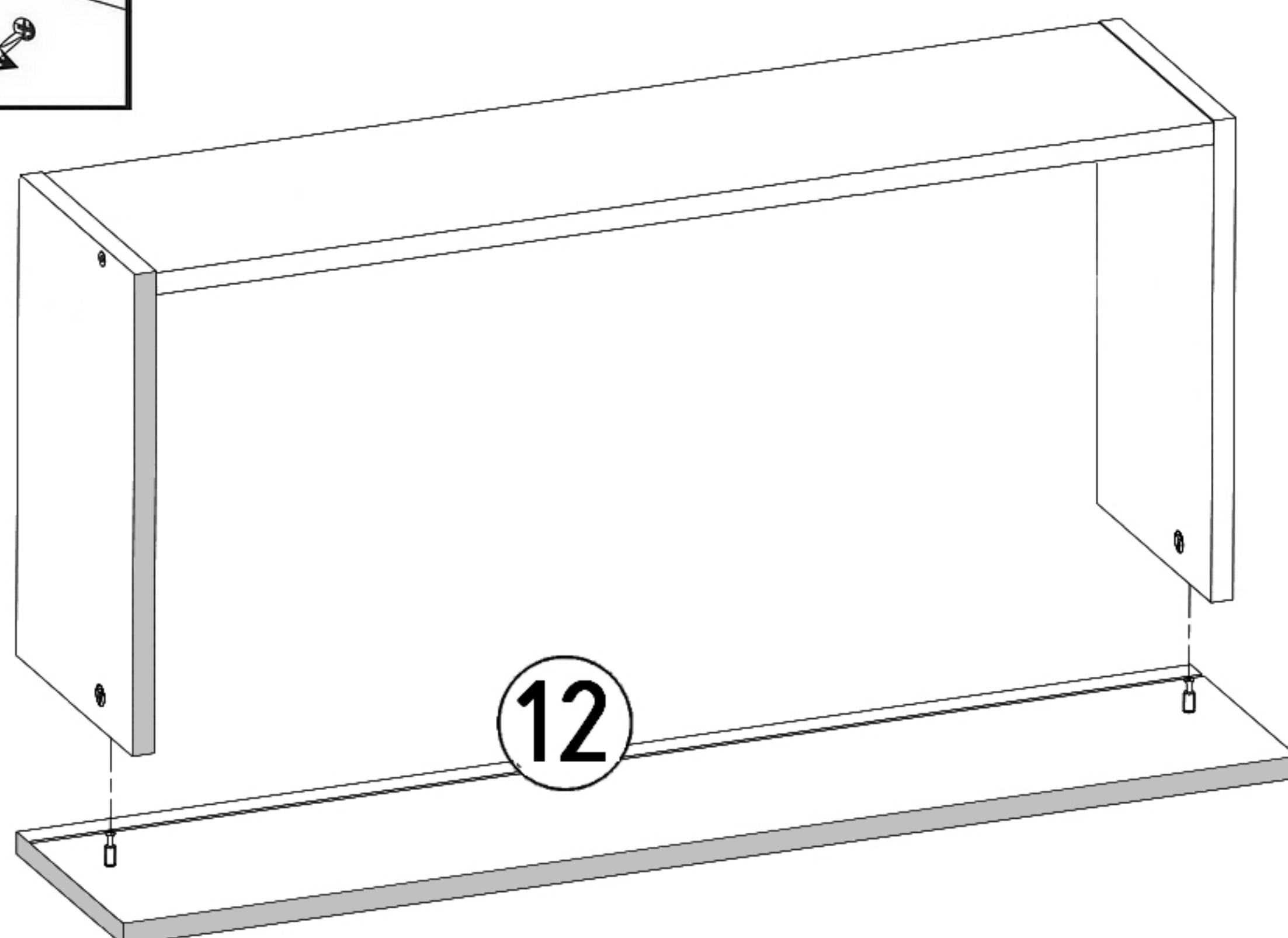
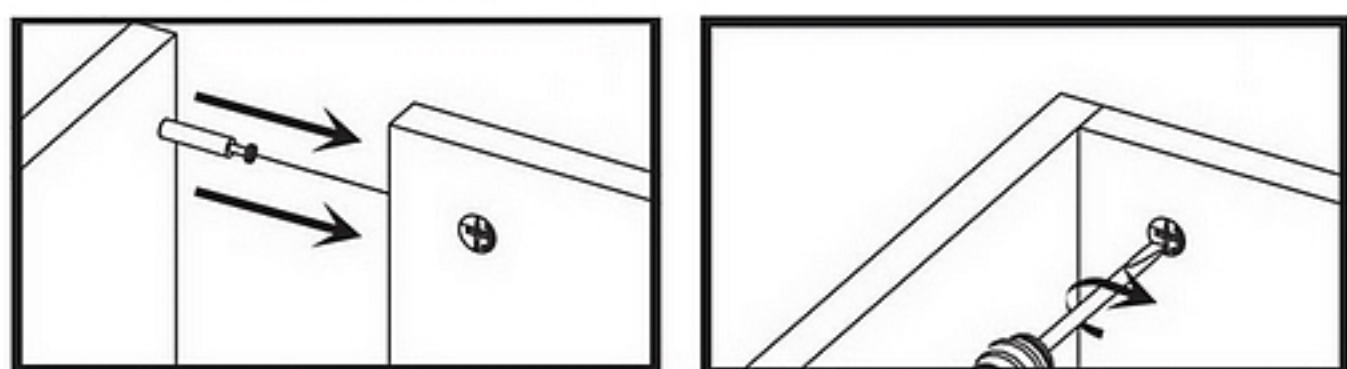
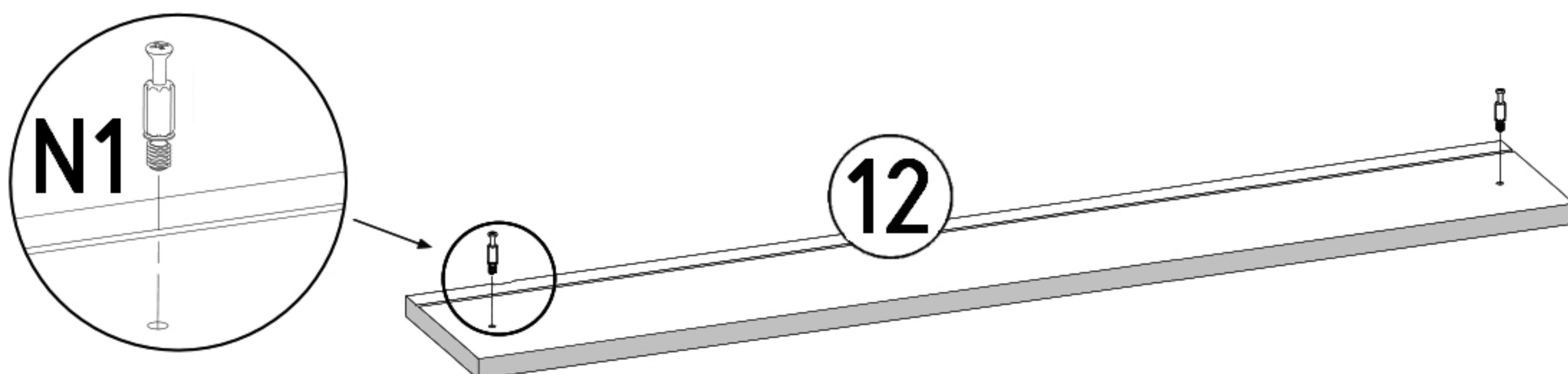
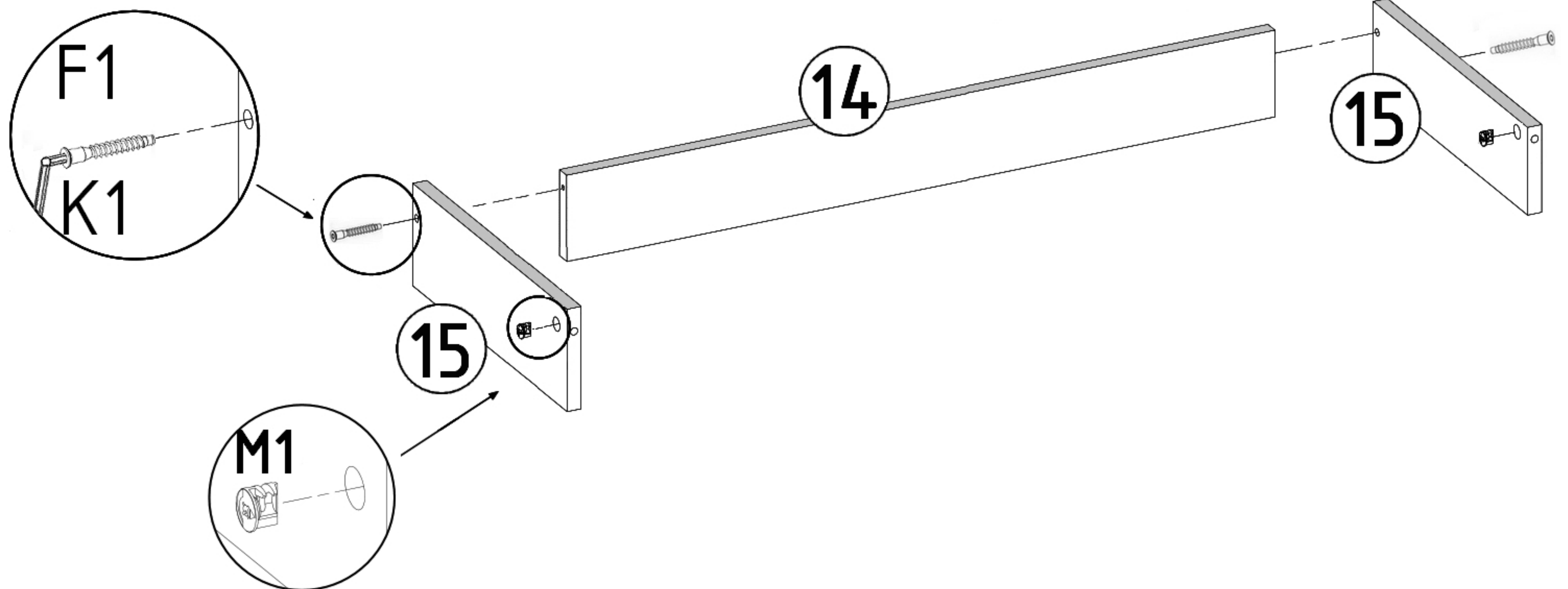
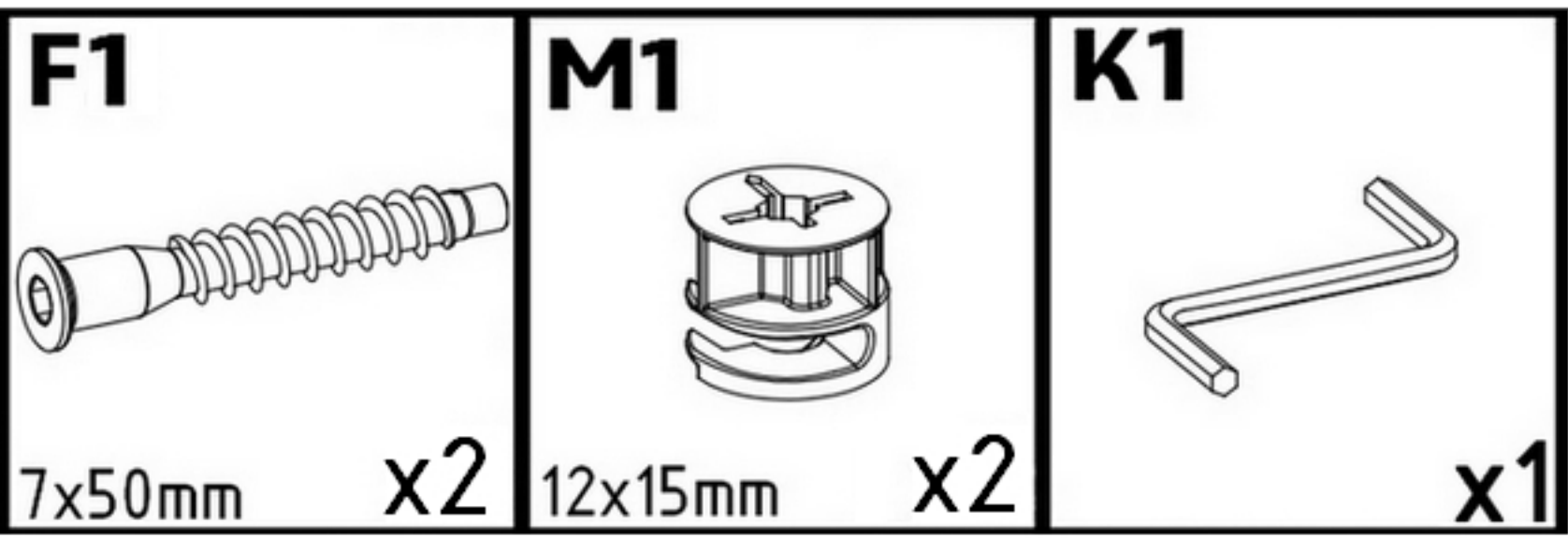
x3



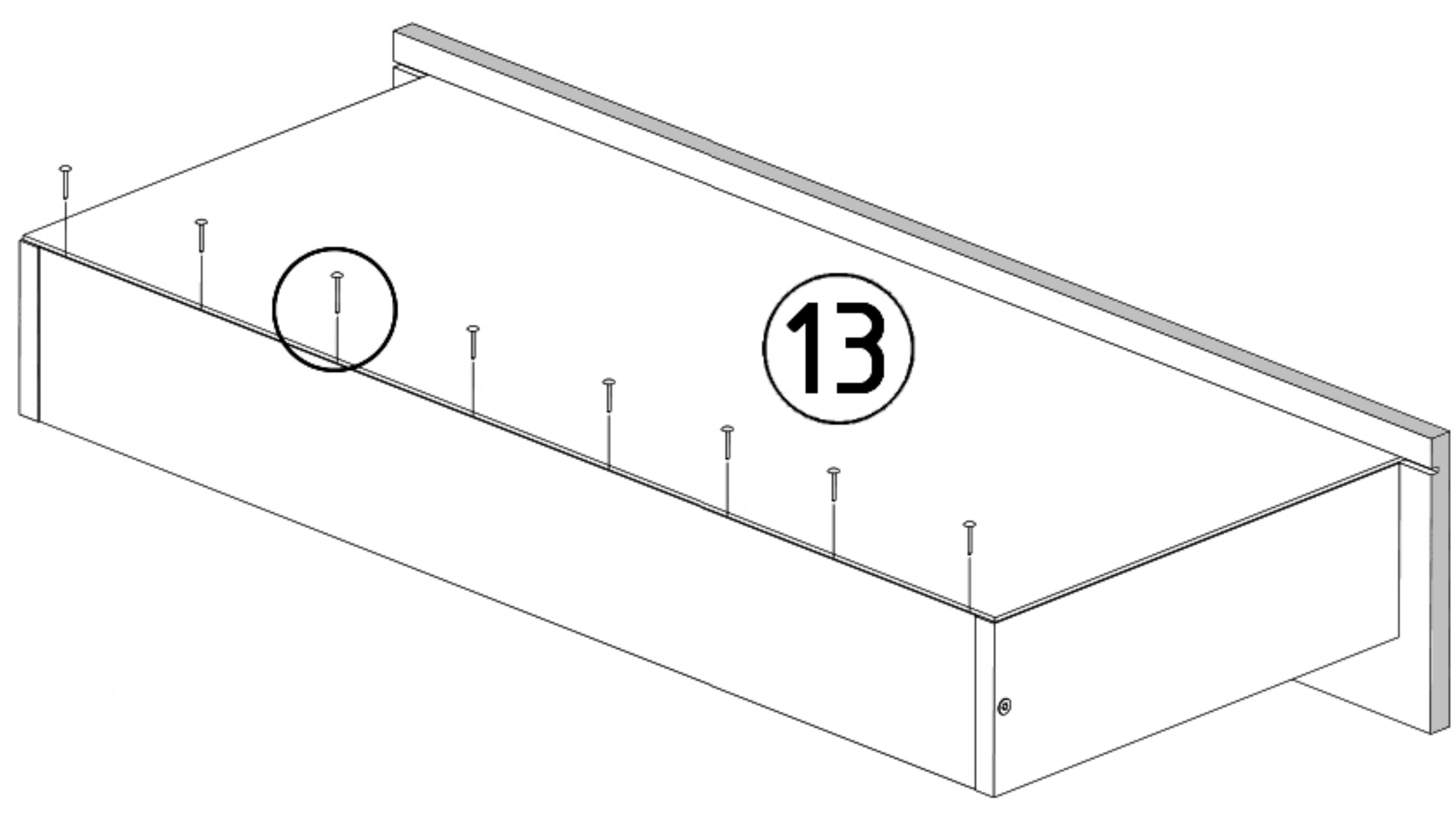
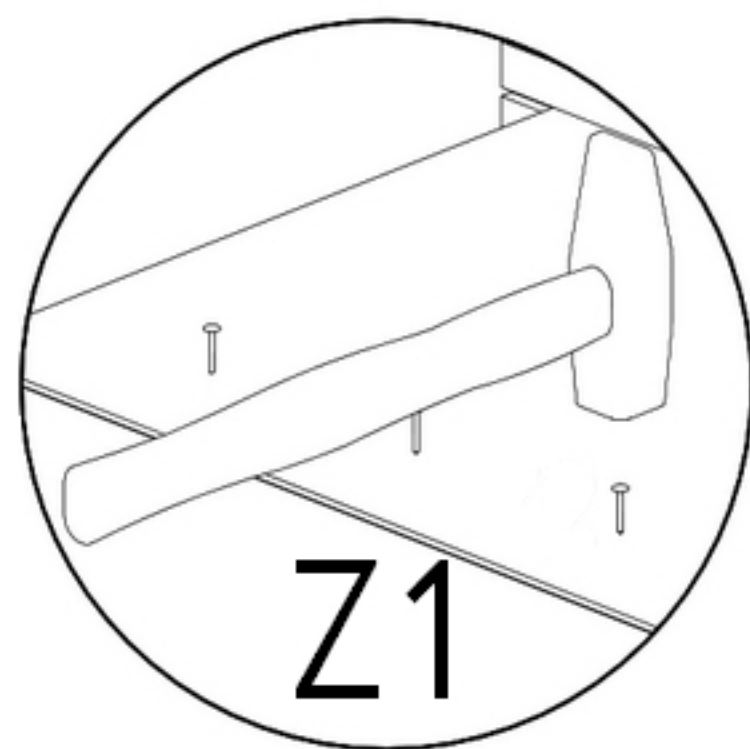
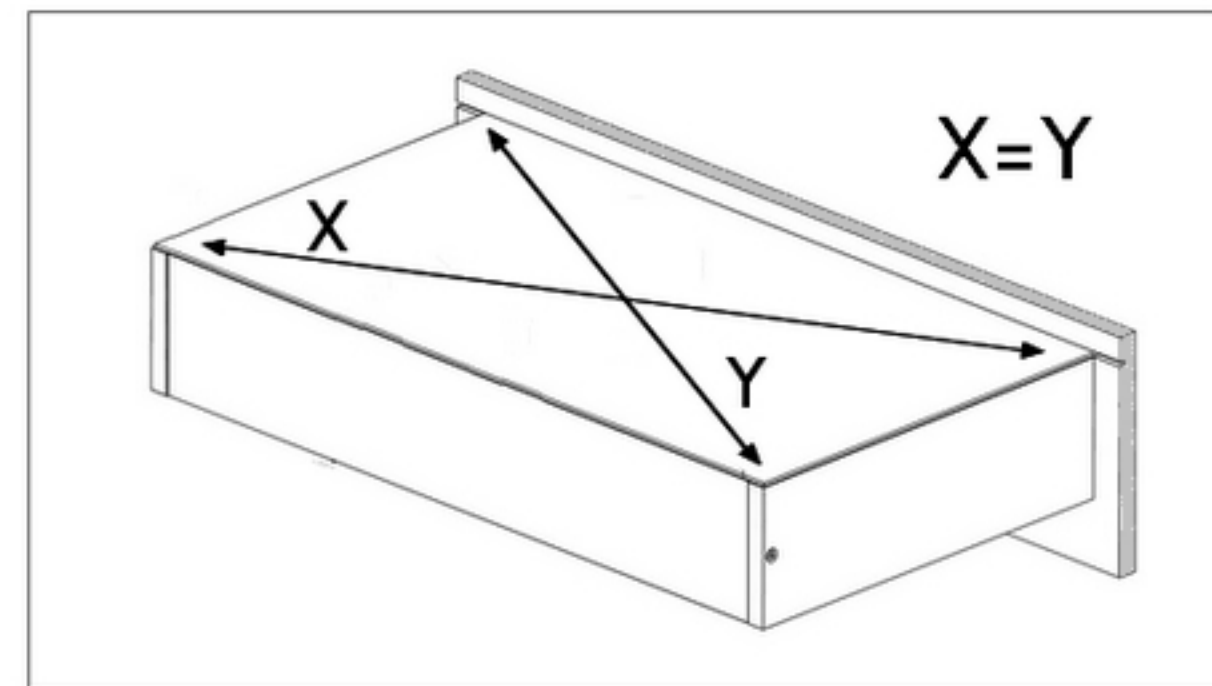

x3



x3



Z1
x10



S1 x4
P2 x1

