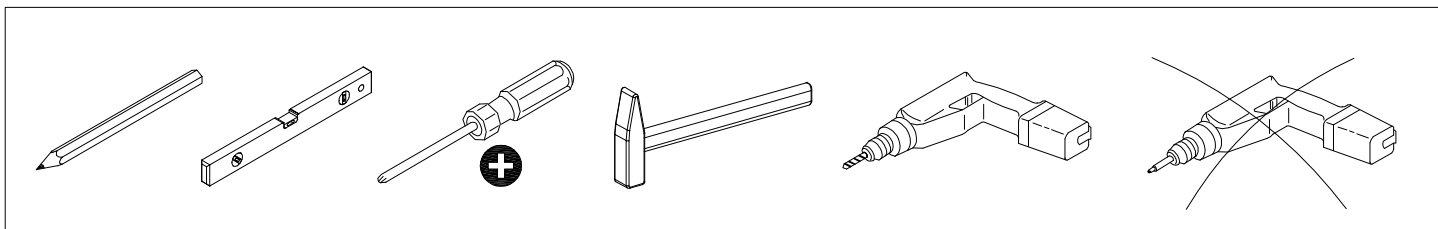
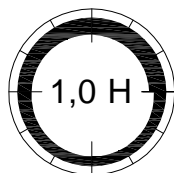
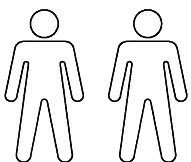
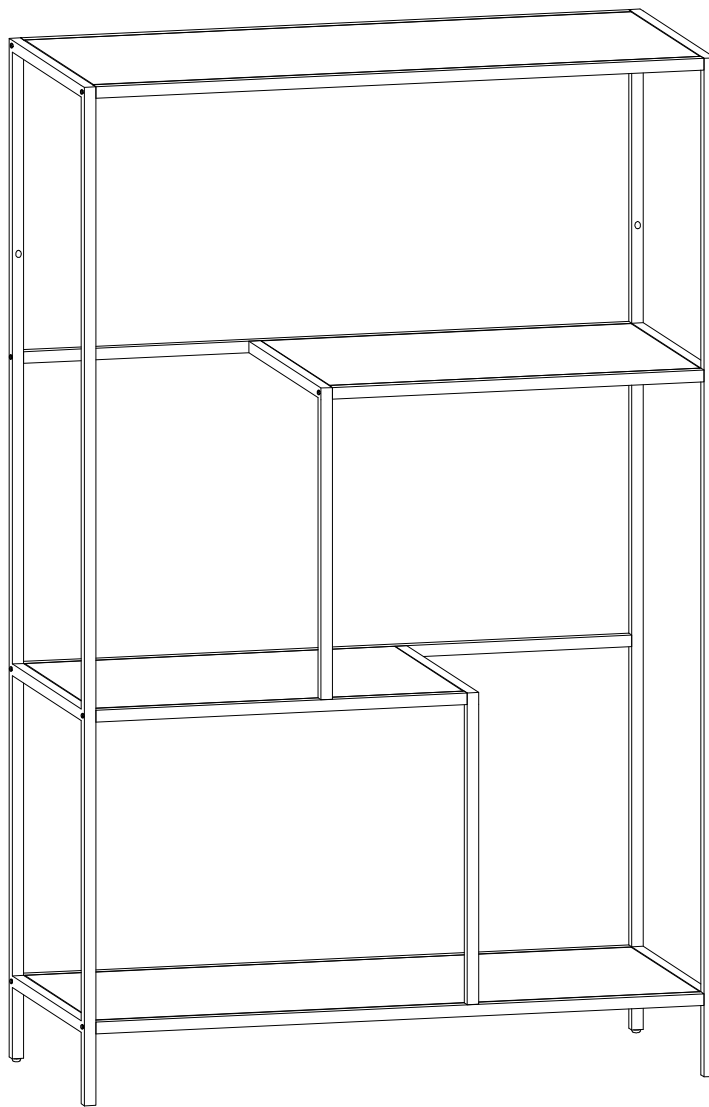
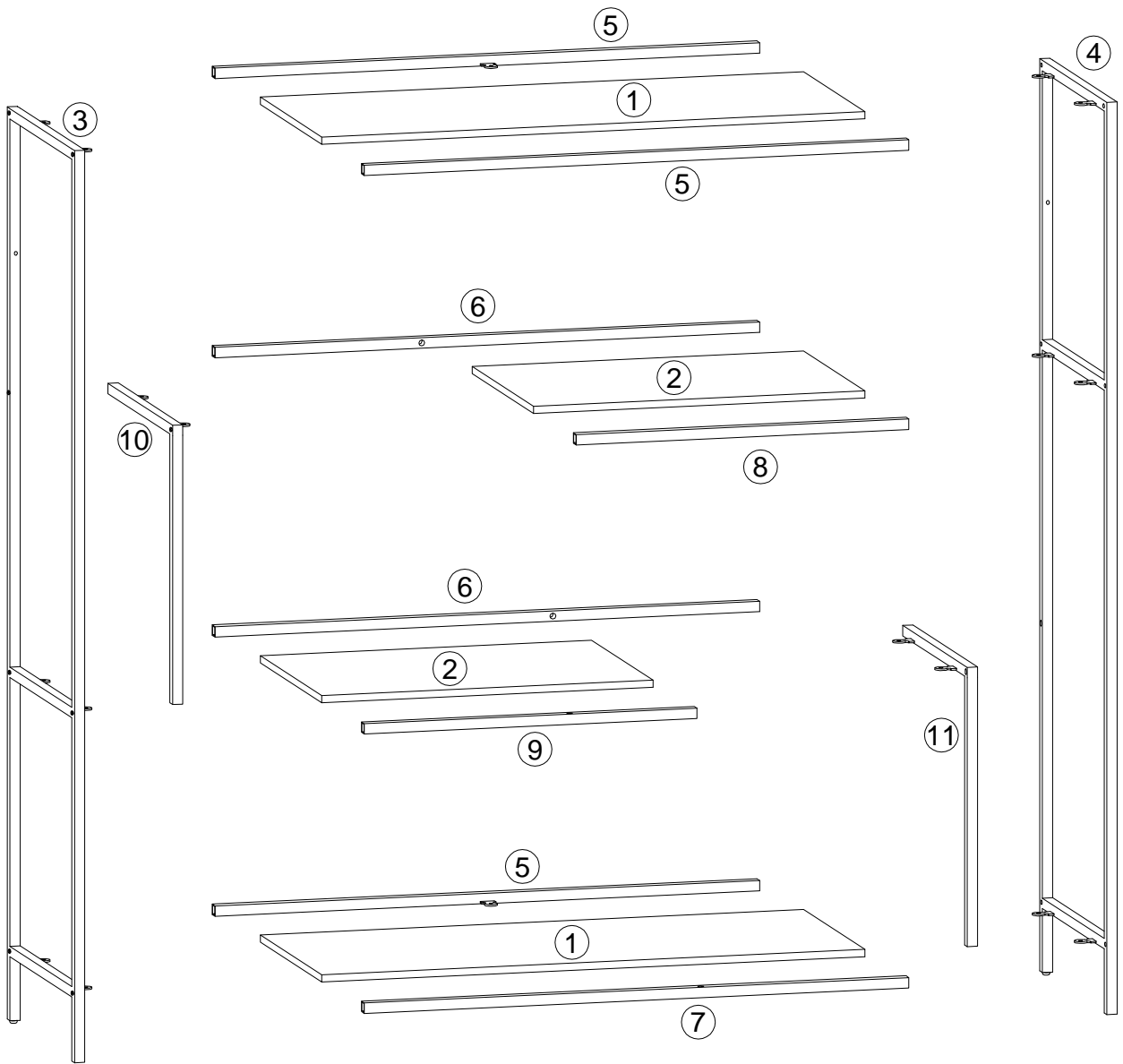


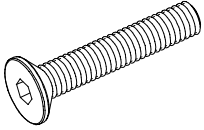
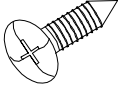
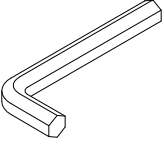
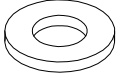
# INFINITY



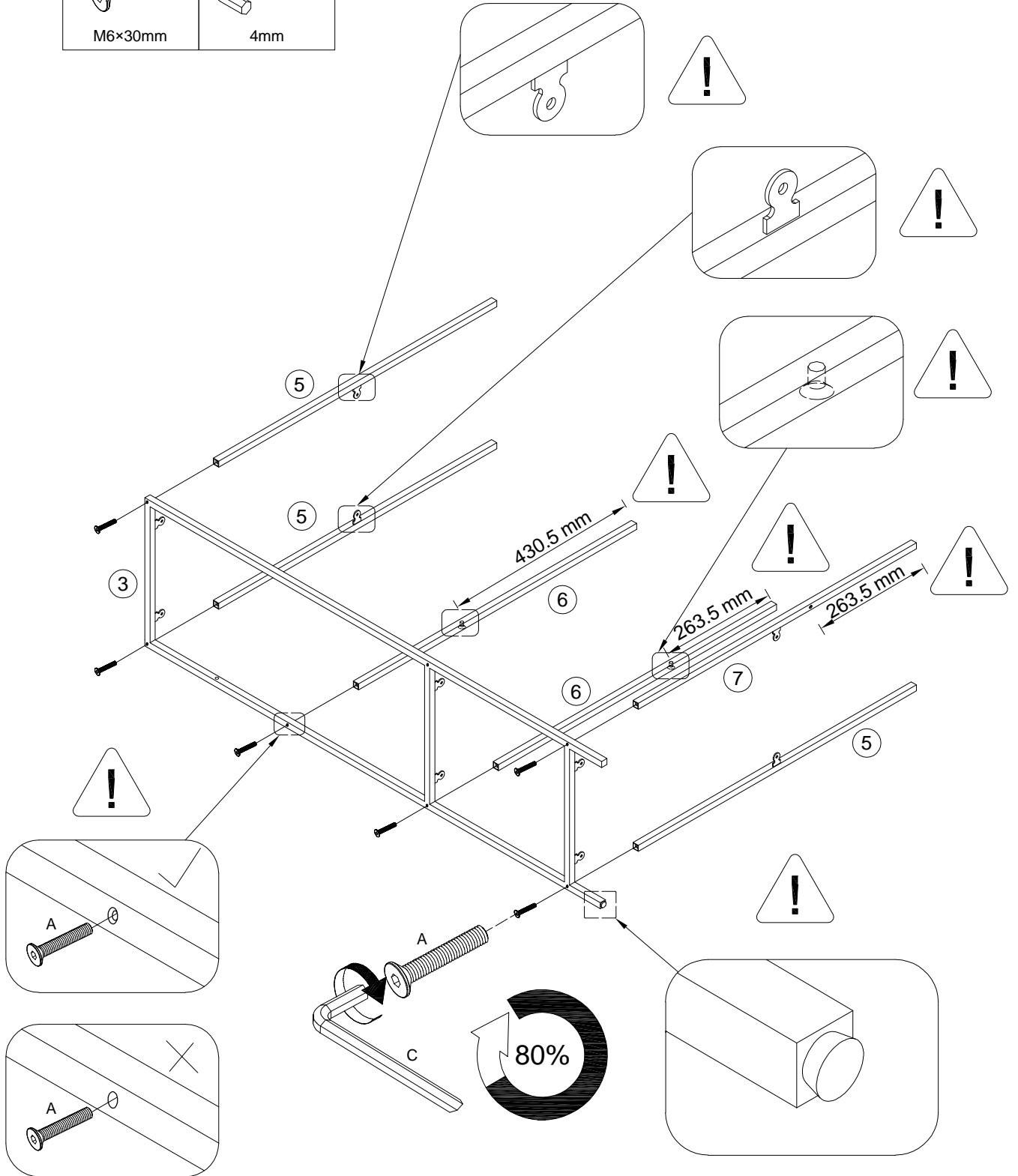
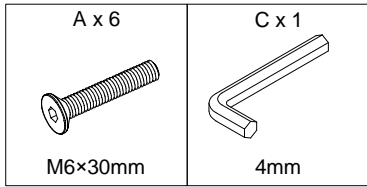
			✓
①	2	693x293x9	
②	2	423x293x9	
③	1	1140x320x39	
④	1	1140x320x39	
⑤	3	694x39x13	
⑥	2	694x13x13	

			✓
⑦	1	694x39x13	
⑧	1	424x13x13	
⑨	1	424x13x13	
⑩	1	349x307x39	
⑪	1	349x307x39	

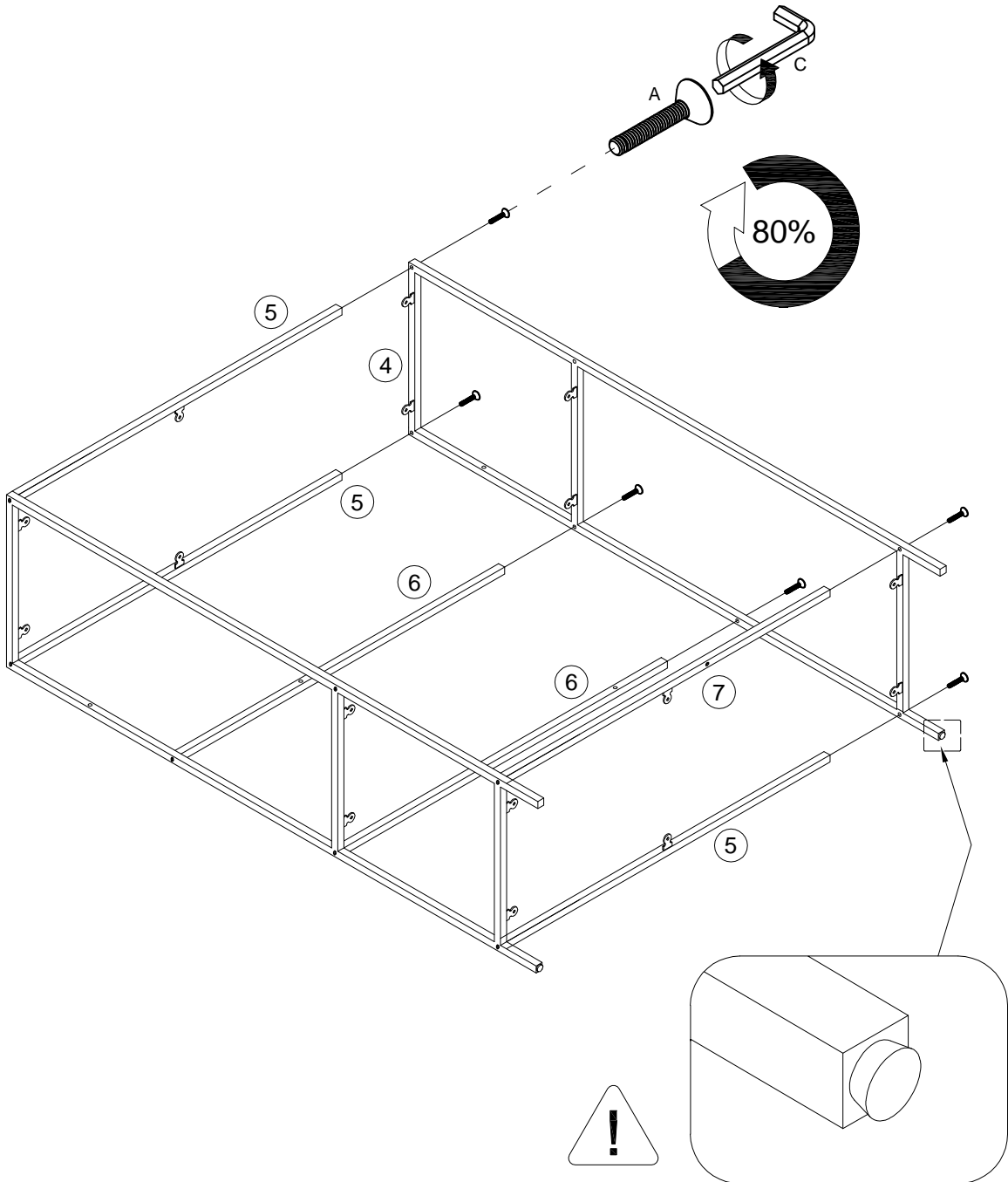
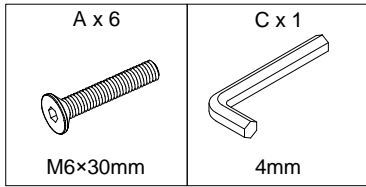


<p>A x 20</p>  <p>M6×30mm</p>	<p>B x 20</p>  <p>Ø4×10mm</p>	<p>C x 1</p>  <p>4mm</p>	<p>D x 20</p>  <p>Ø4/Ø9mm</p>
--	--	---	--

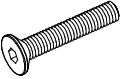
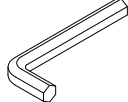
1

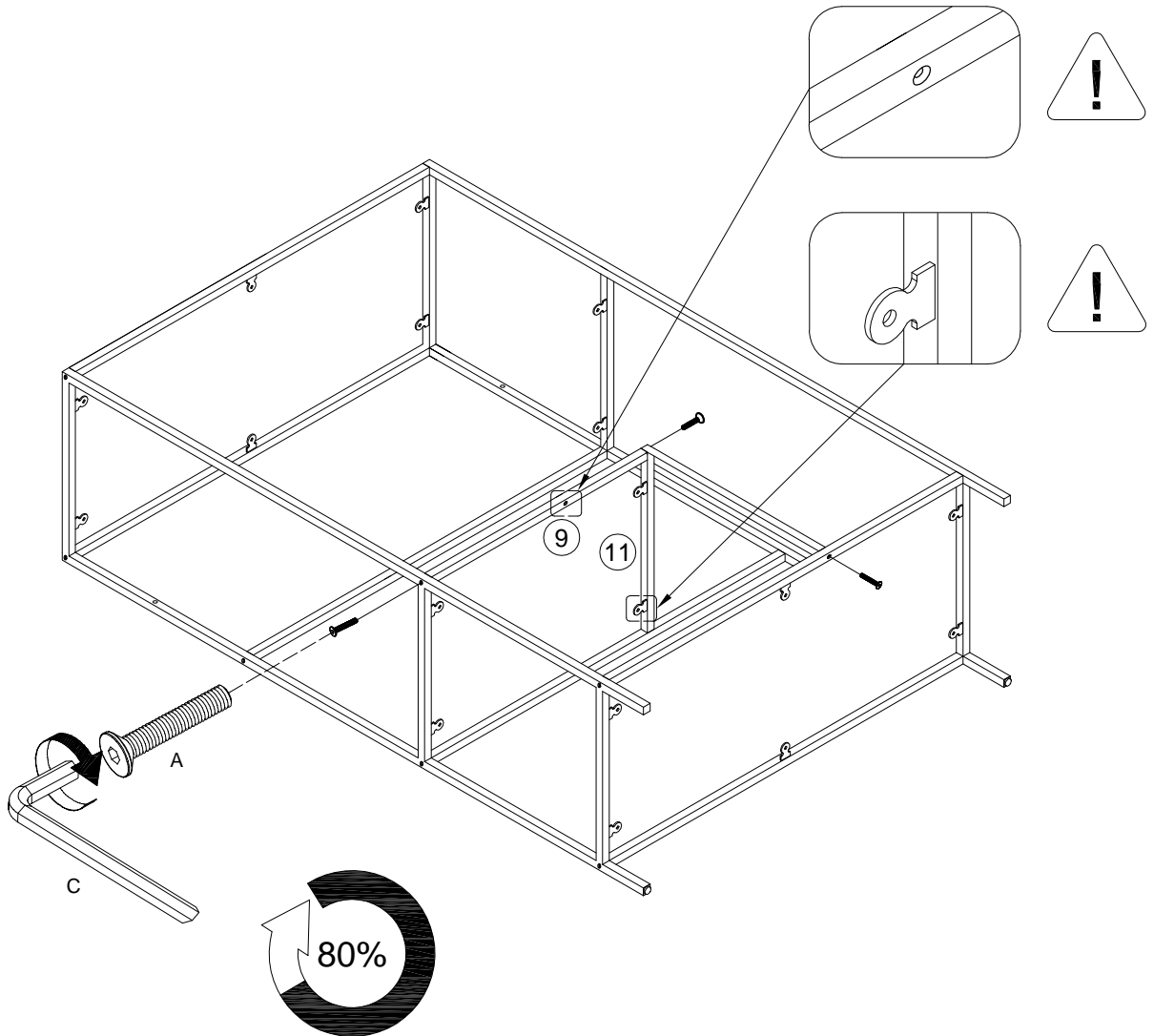


# 2

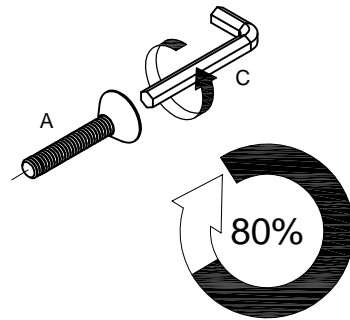
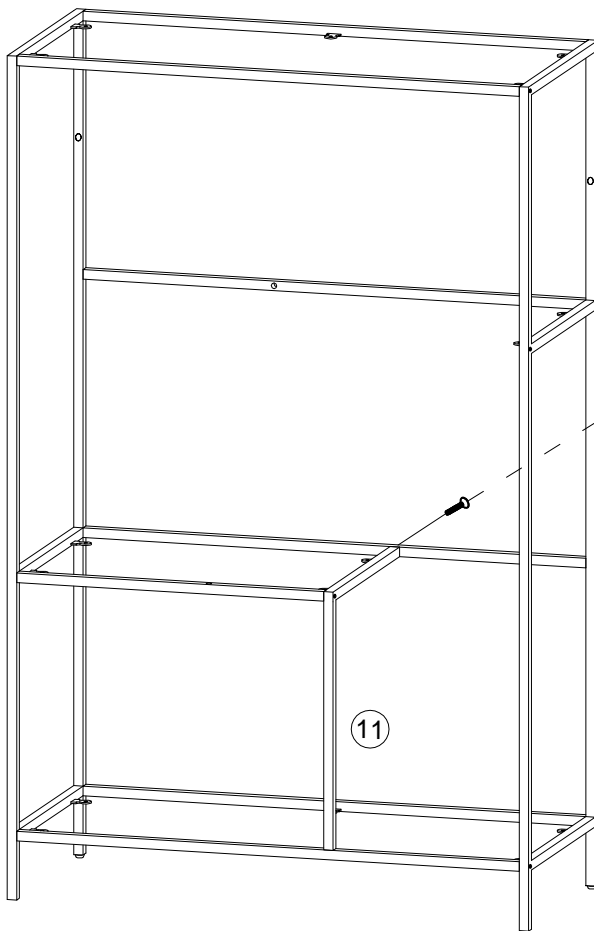
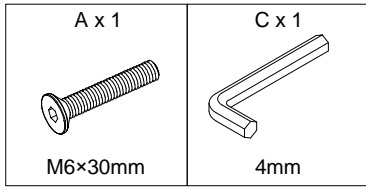


# 3

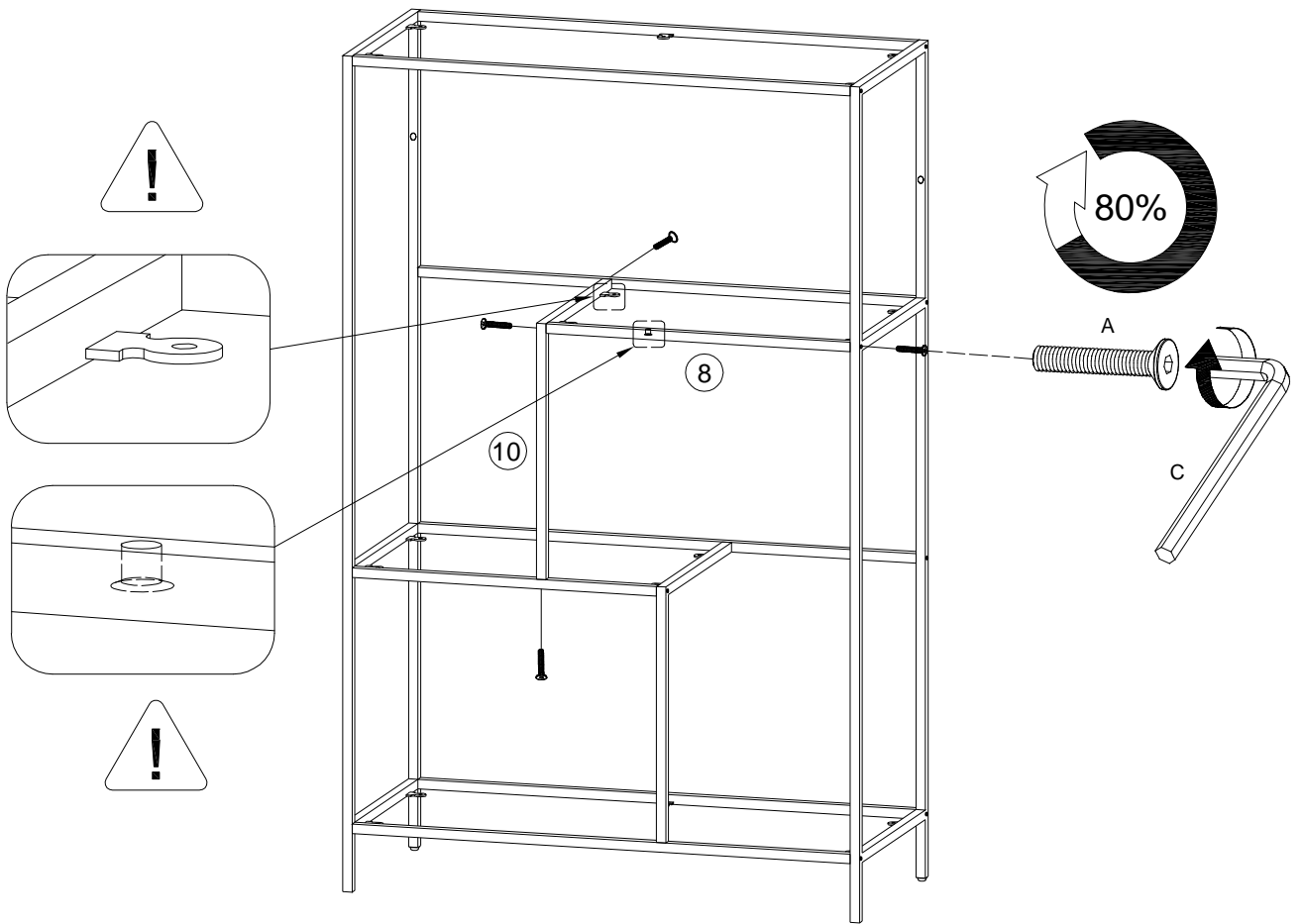
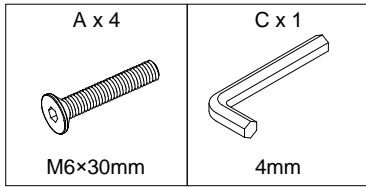
A x 3  M6x30mm	C x 1  4mm
---	---



4

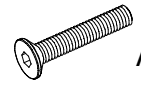
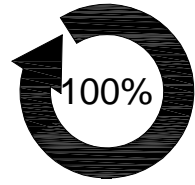


# 5

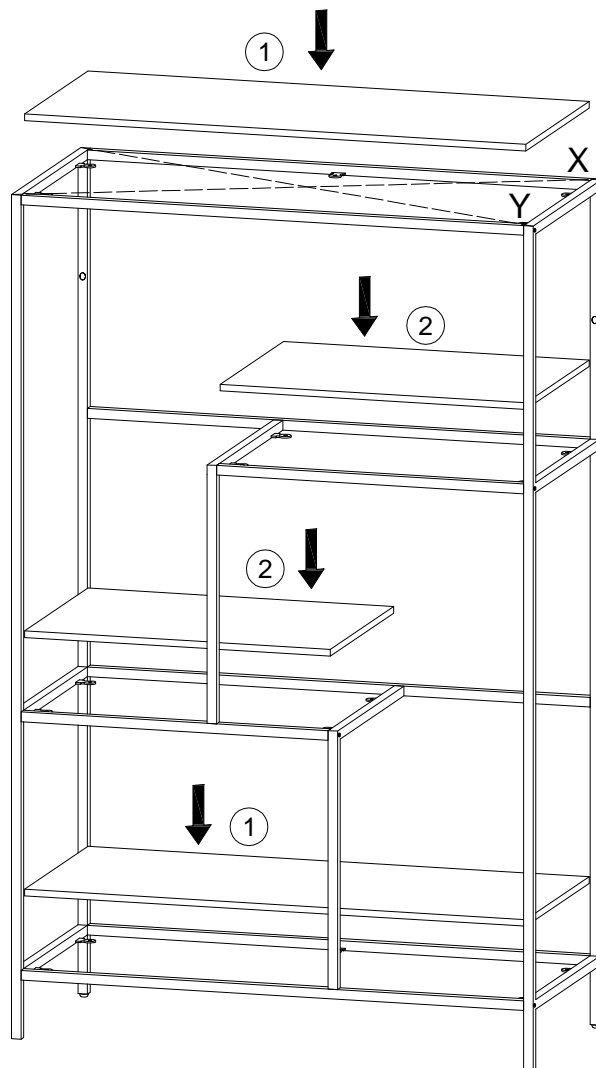




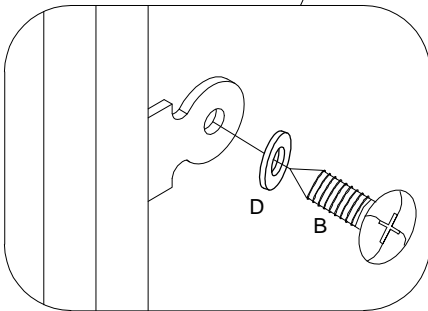
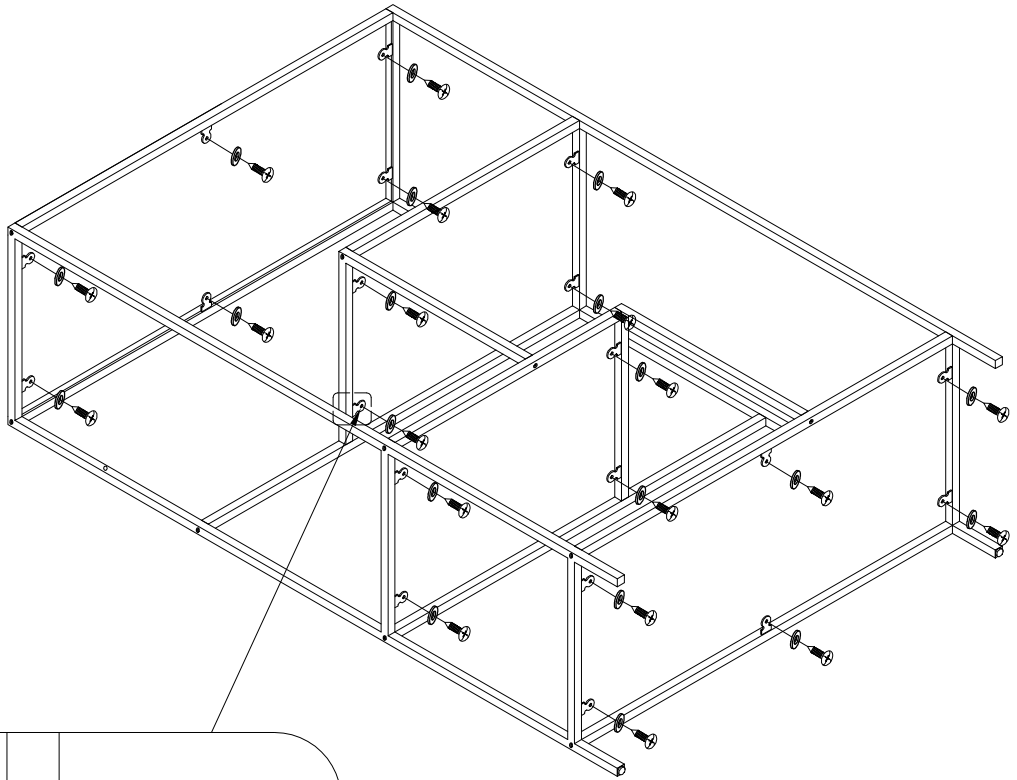
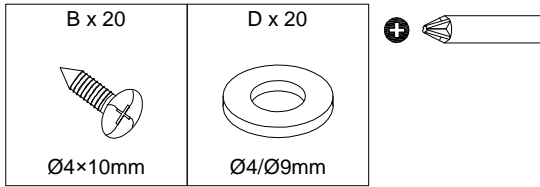
6



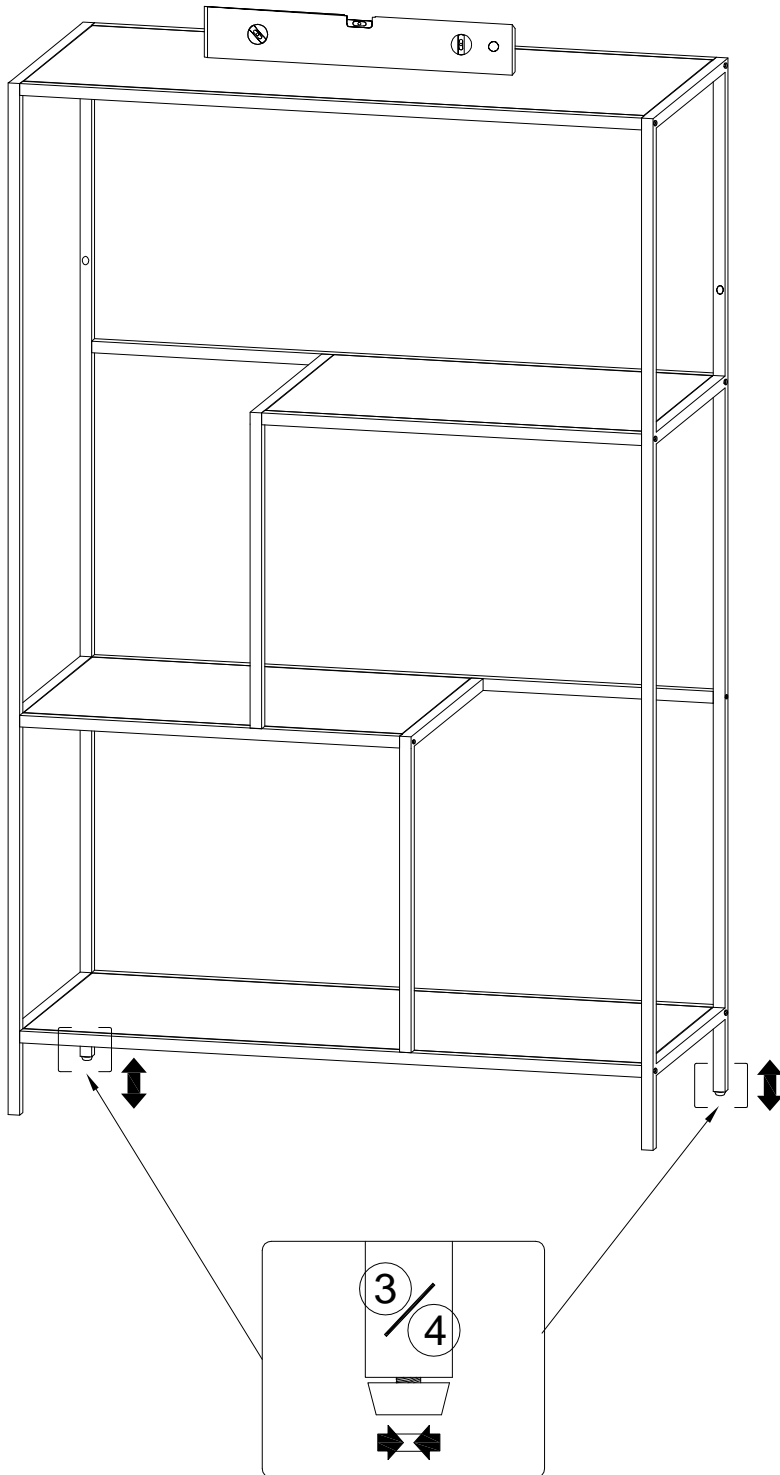
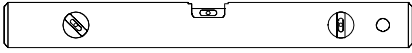
A x 20



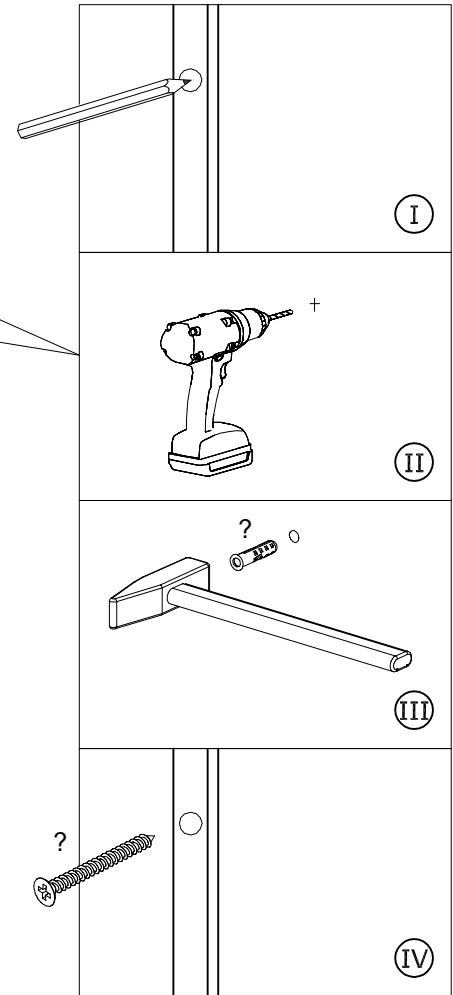
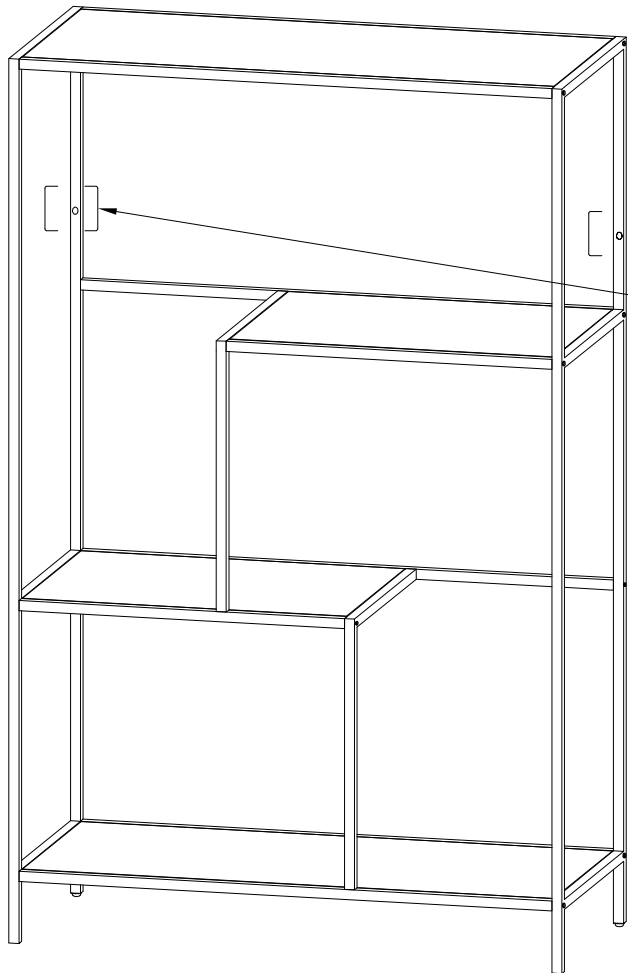
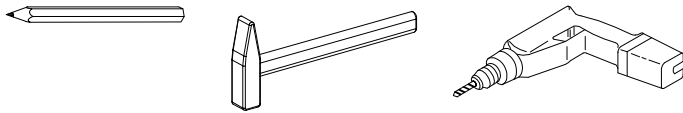
# 7



8



9



# 10

