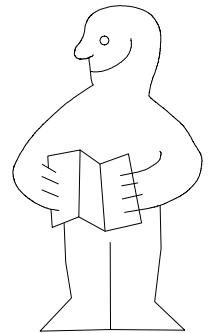
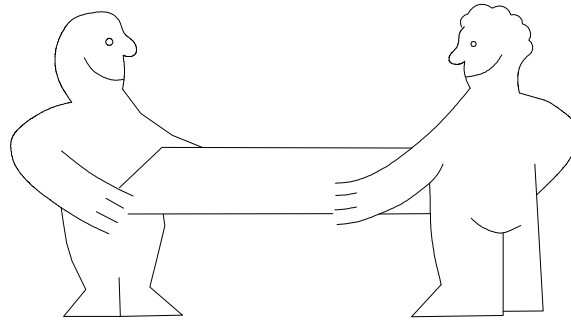
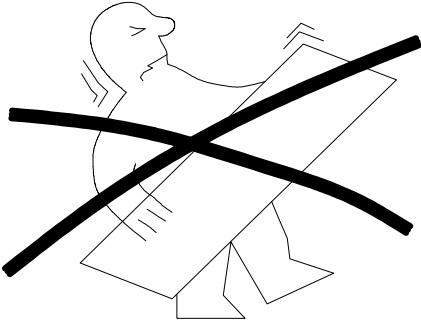
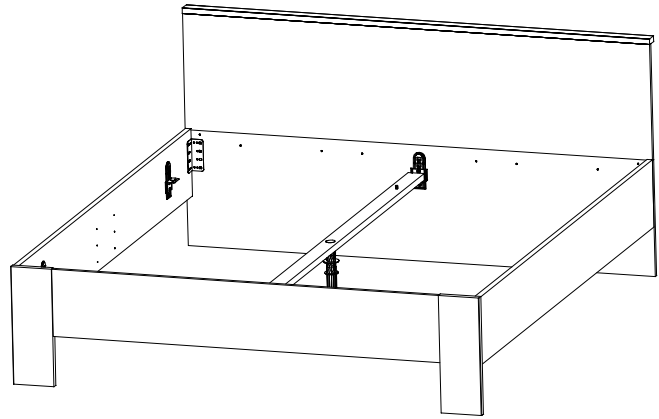
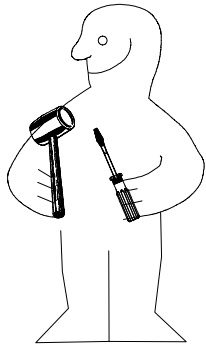
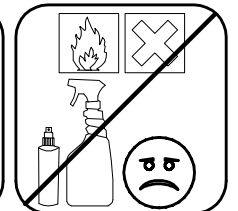
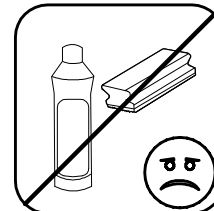
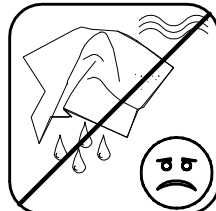
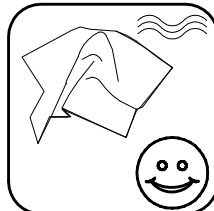
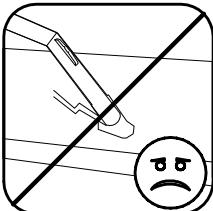
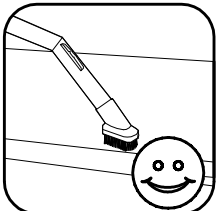
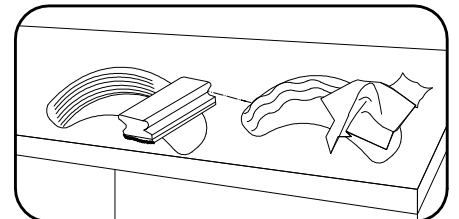
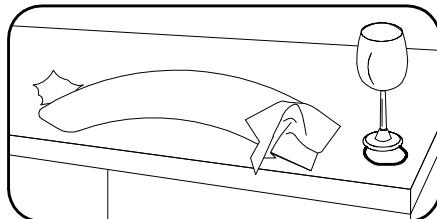
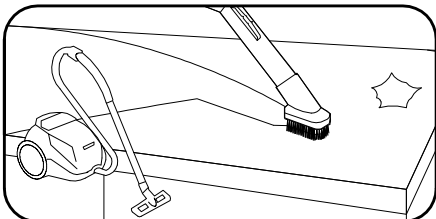
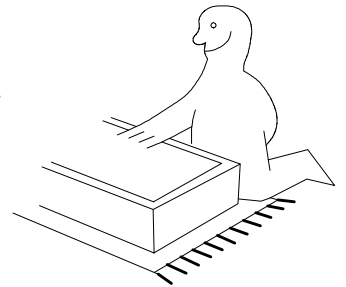
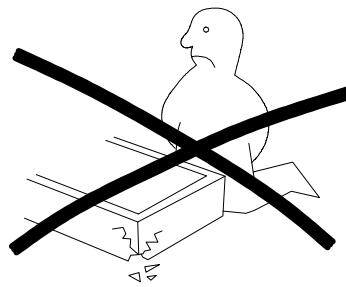
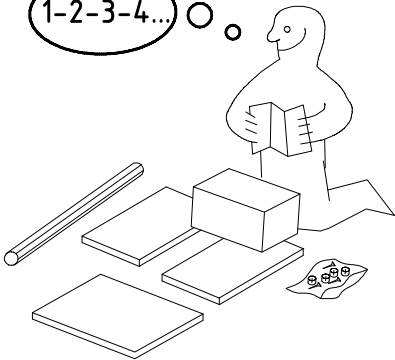
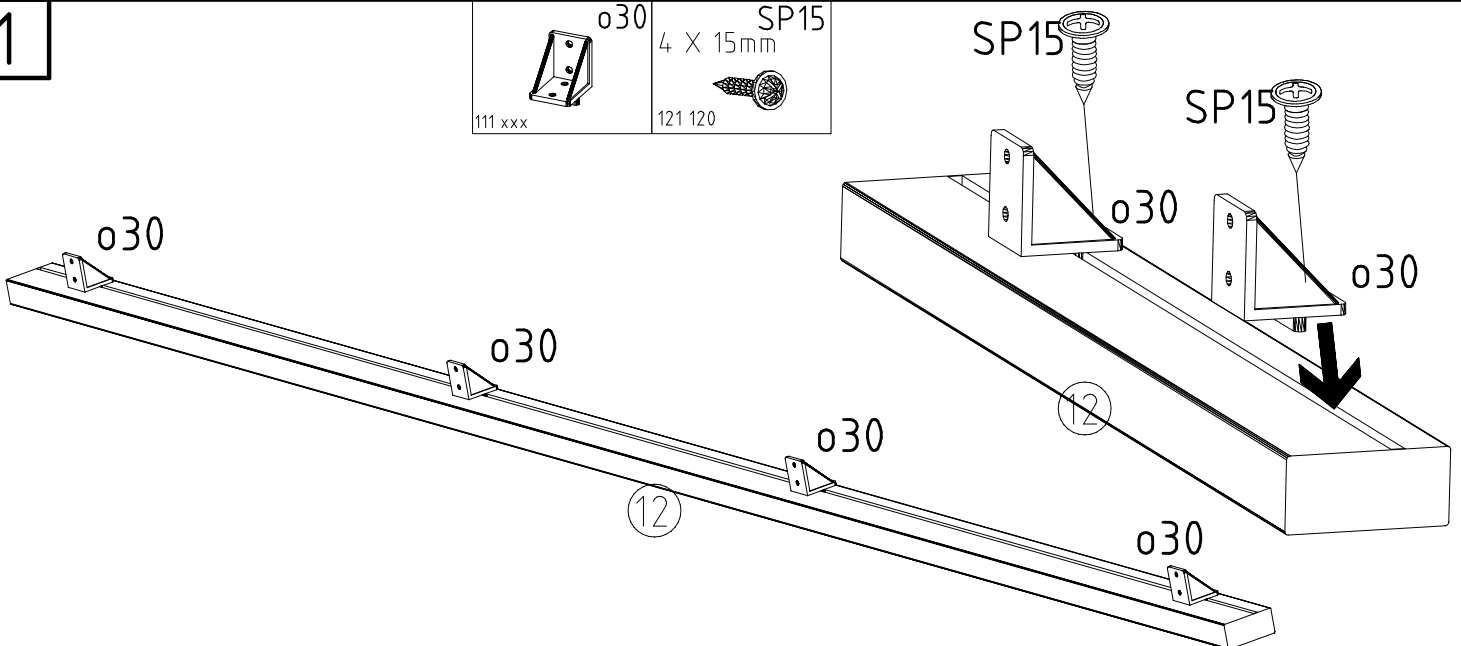
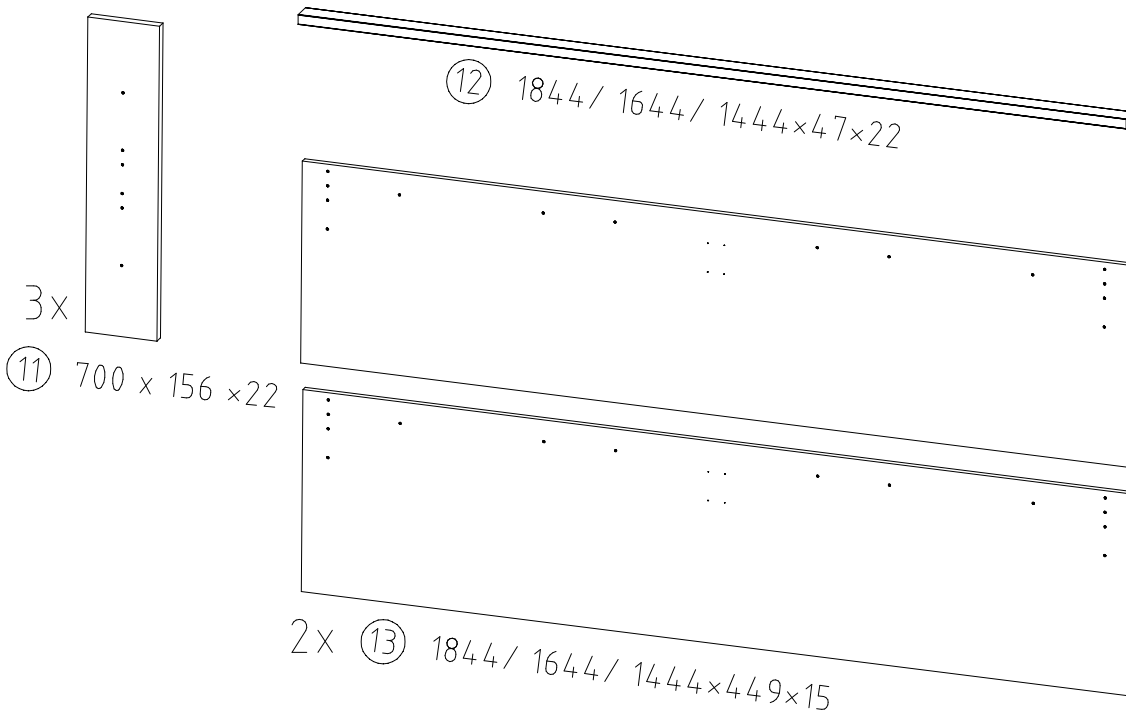
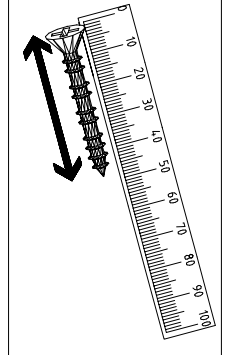
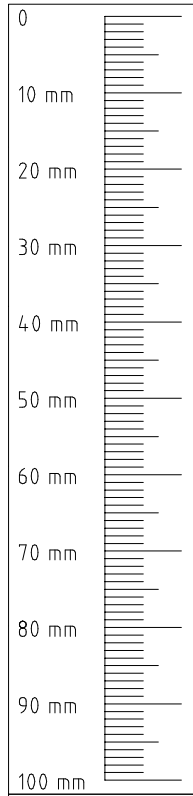
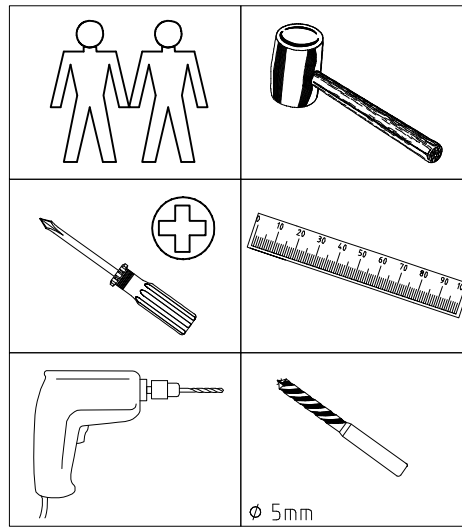
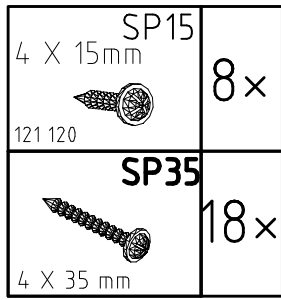
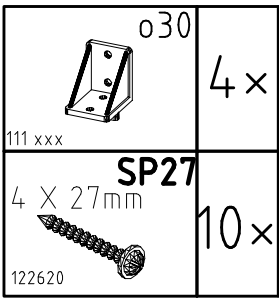


980414

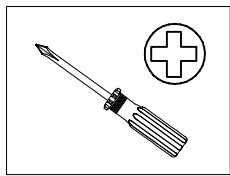


1-2-3-4...

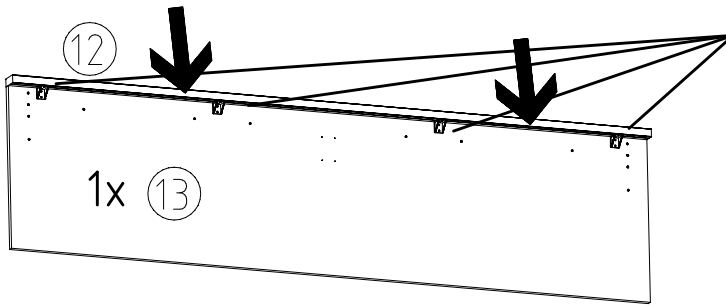
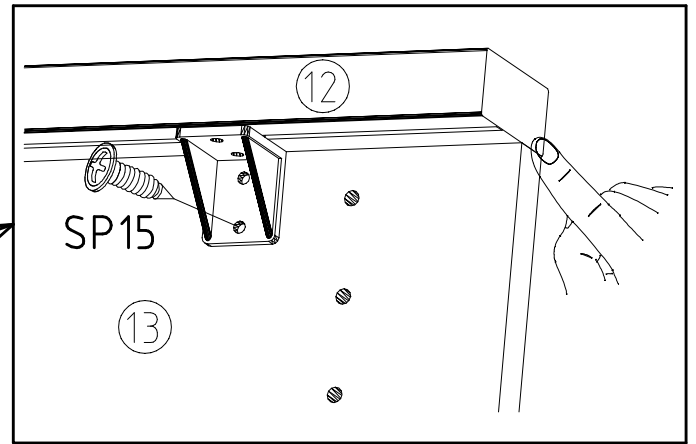




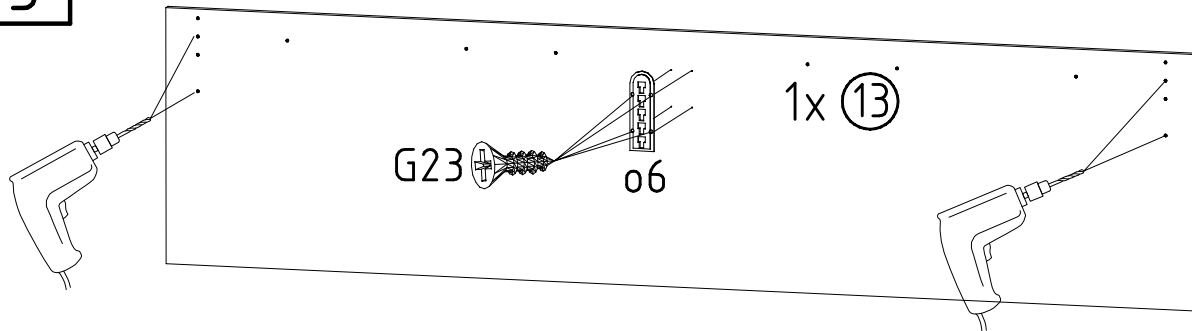
2



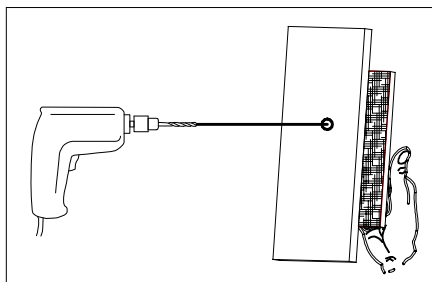
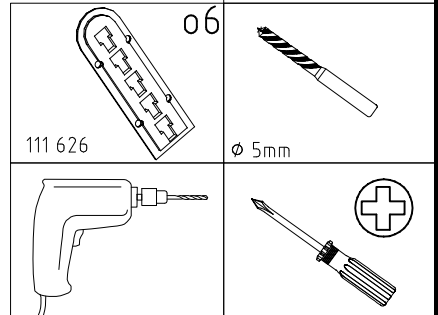
SP15  
4 X 15mm  
121 120



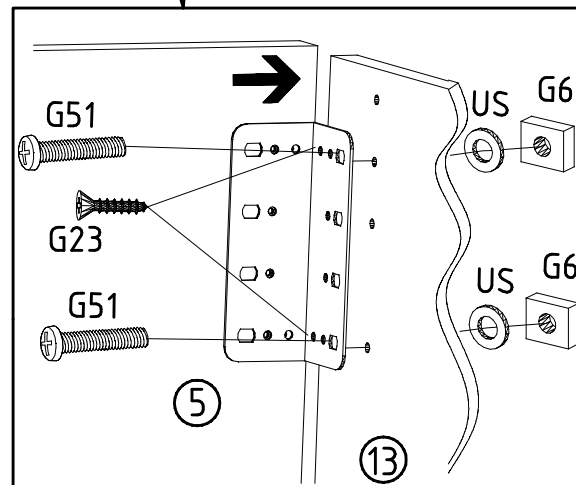
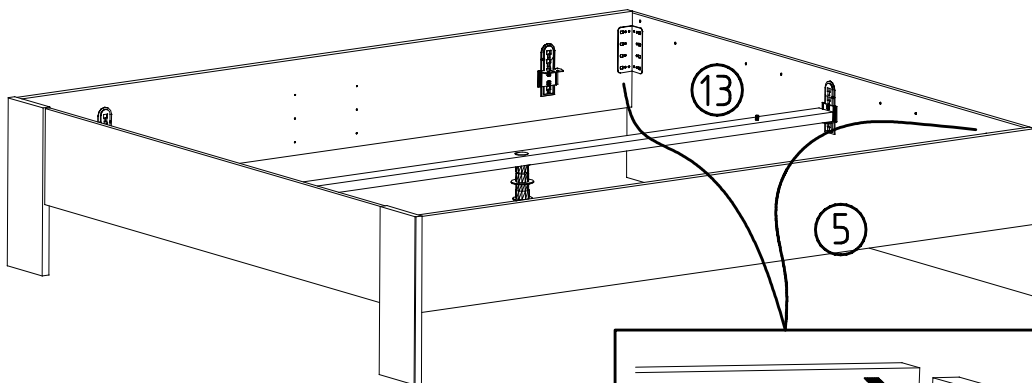
3



4,0 x 15 mm G23  
121 110



4



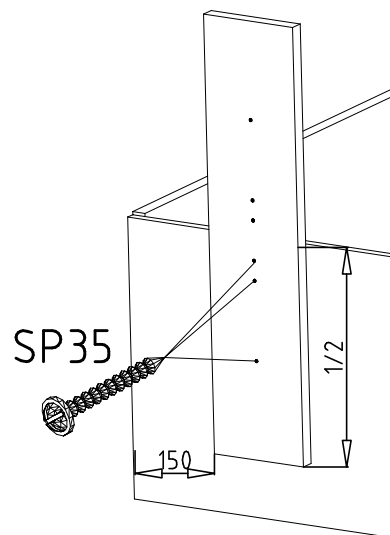
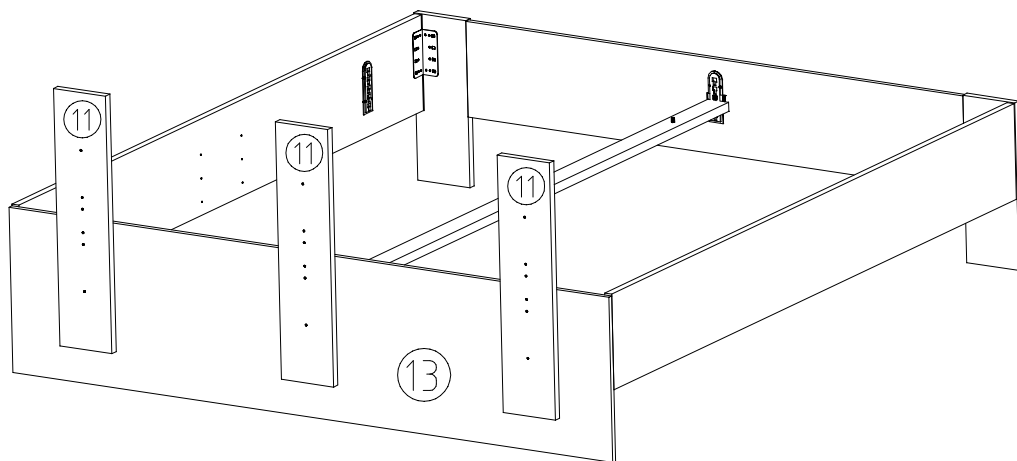
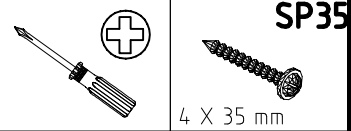
5,0 x 35 mm G51  
121 149

US  
129 407  $\phi$ 12

G6  
121 150

4,0 x 15 mm G23  
121 110

5



6

