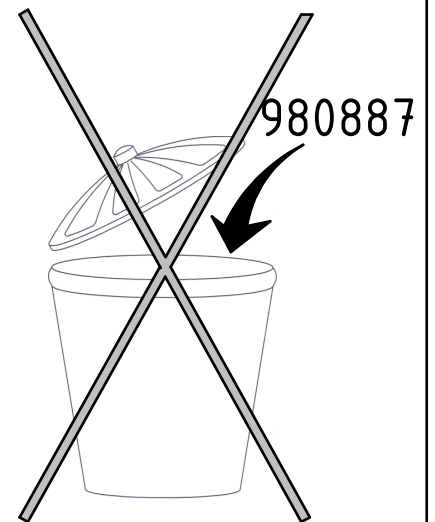
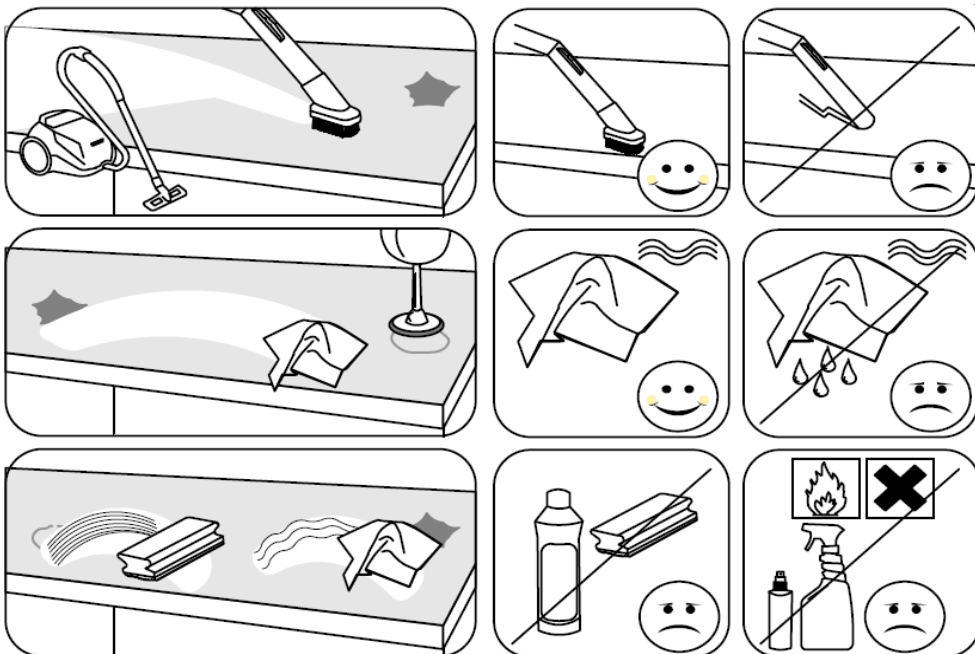
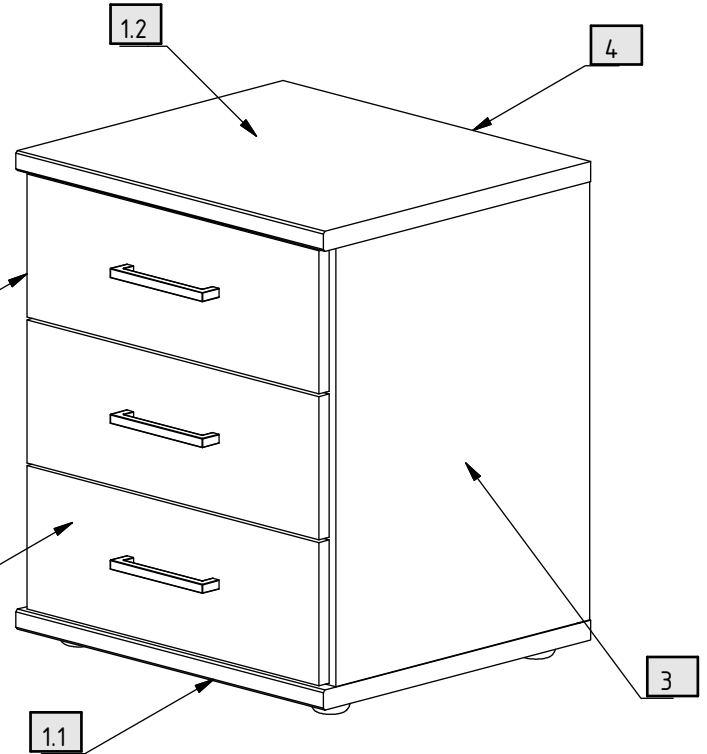
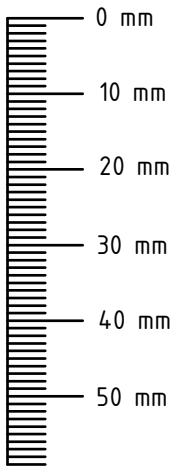
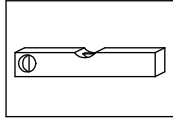
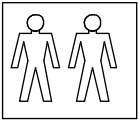
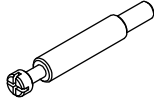
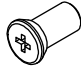
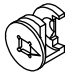
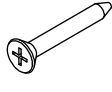
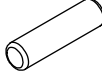
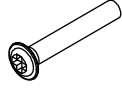
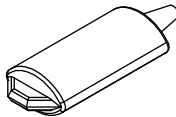

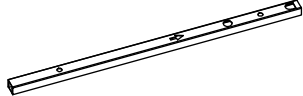
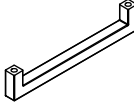
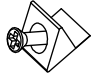
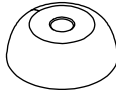
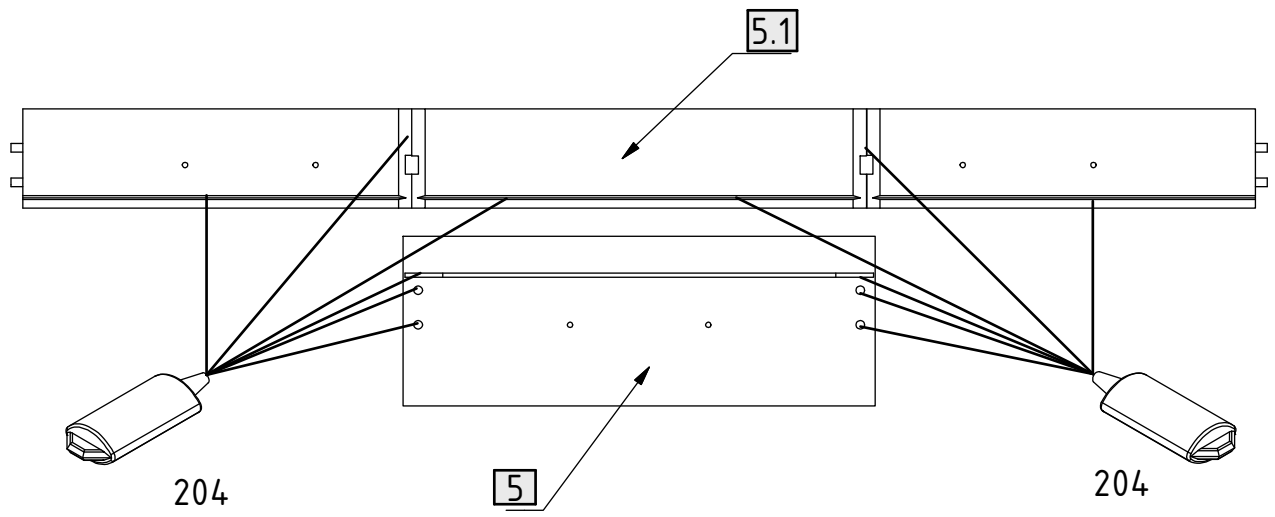


980887

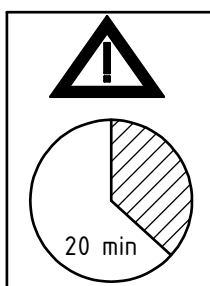
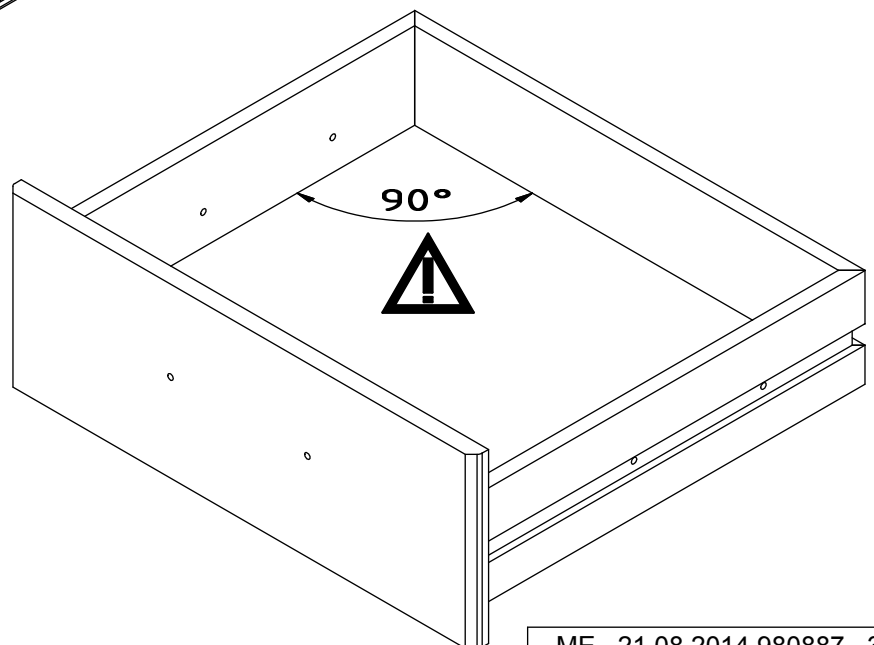
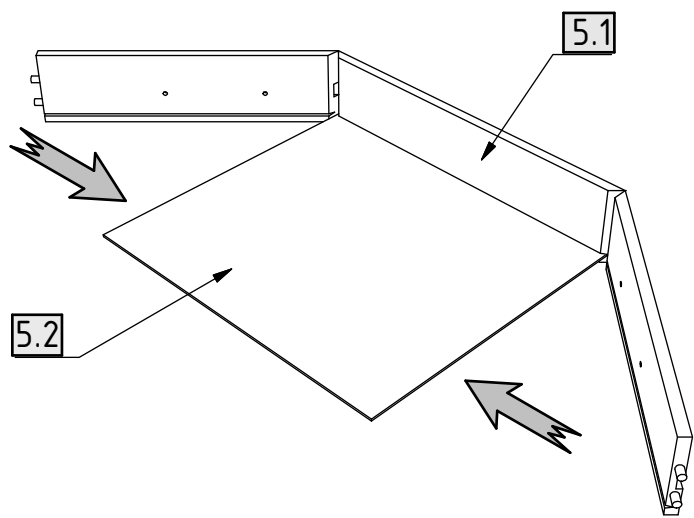
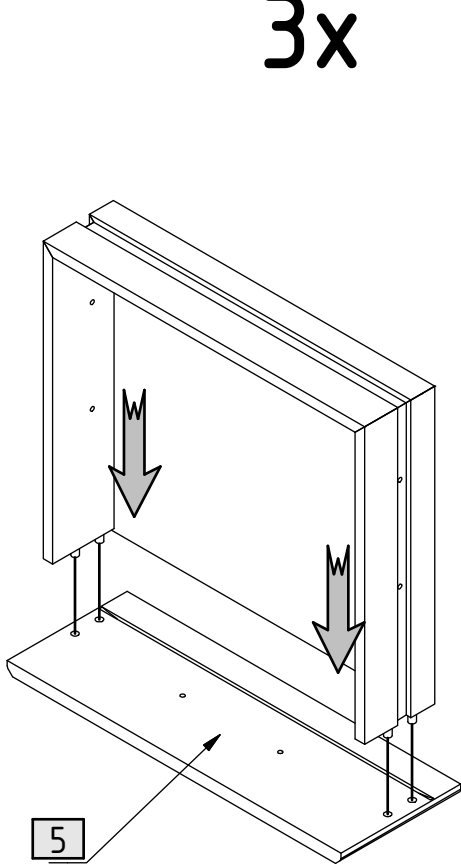


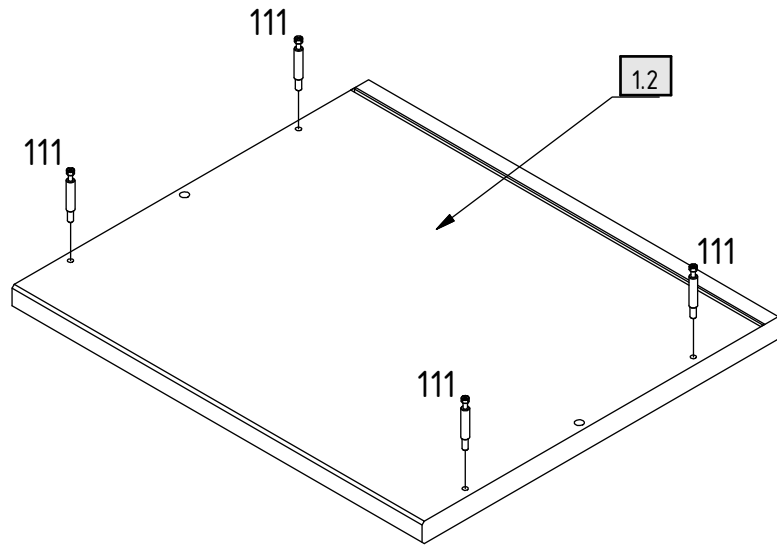


| | | | | | |
|-----|---|---|-----|----|--|
| 111 | 8 |  | 305 | 12 |  6 x 9 mm |
| 120 | 8 |  | 352 | 4 |  4 x 20 mm |
| 190 | 4 |  Ø8 x 30 mm | 377 | 6 |  4 x 25 mm |
| 204 | 2 |  | 408 | 6 |  M4 x 9 mm |
| 215 | 6 |  | 503 | 3 |  |
| 220 | 2 |  | 737 | 4 |  |

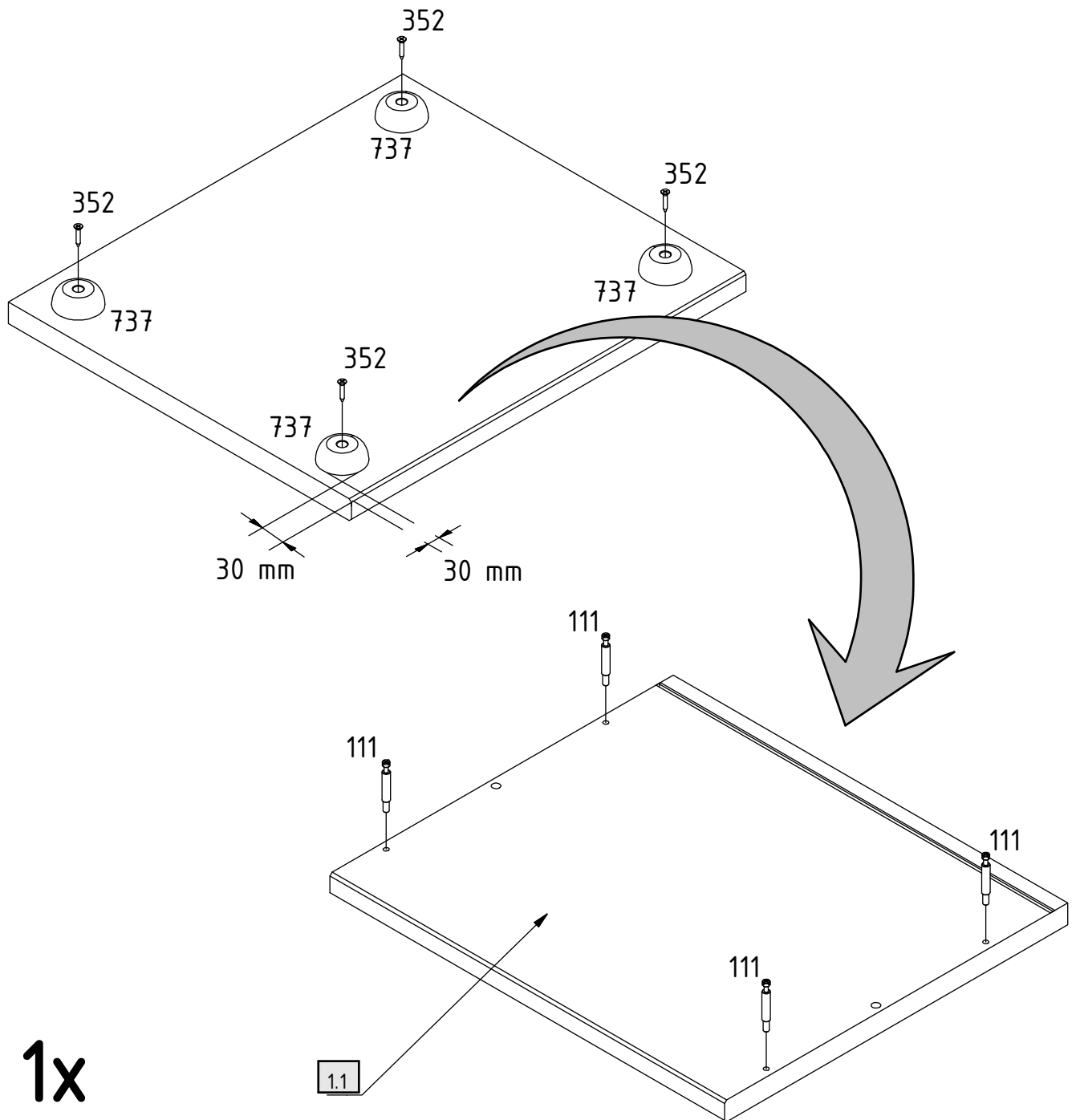


3x

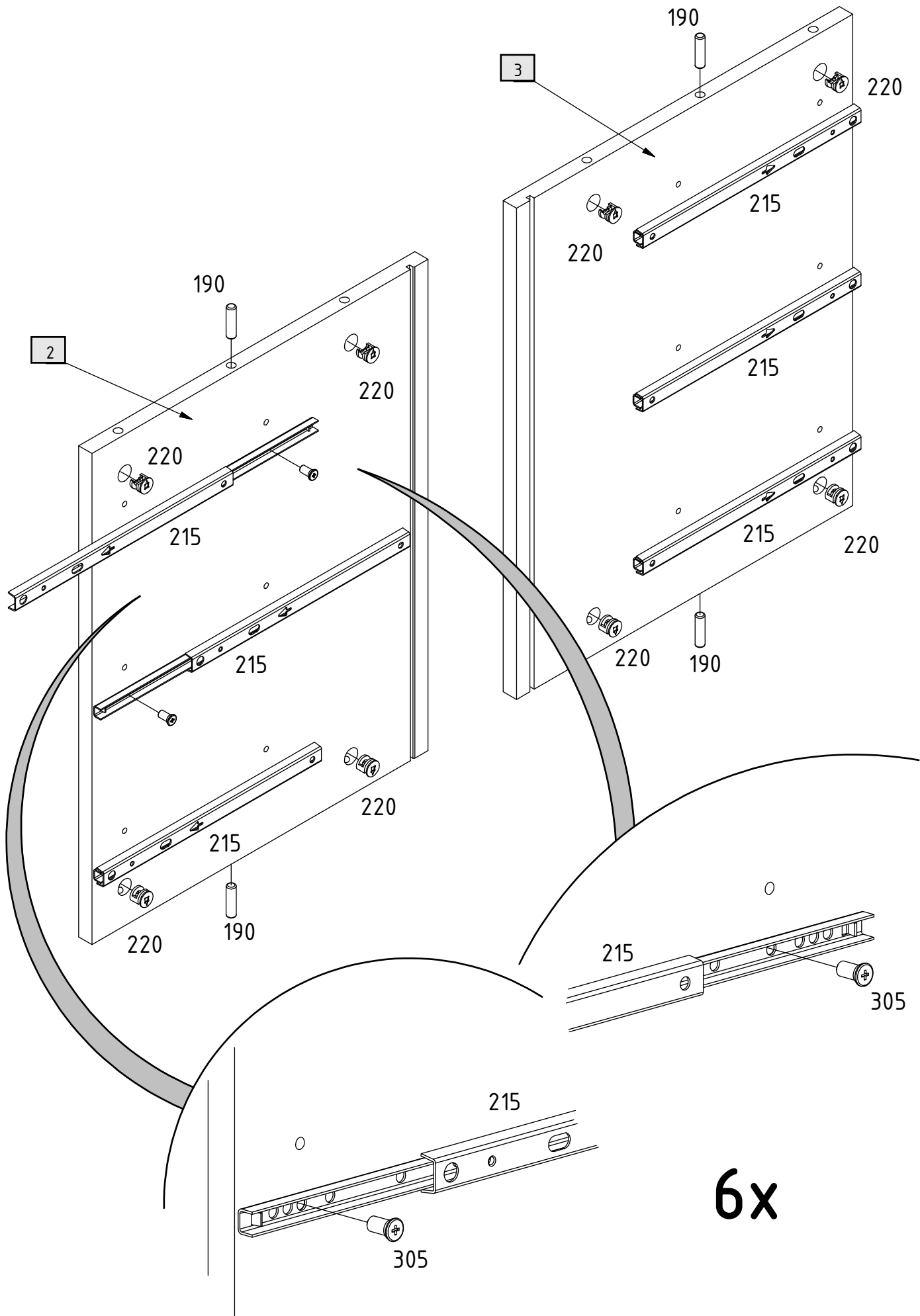


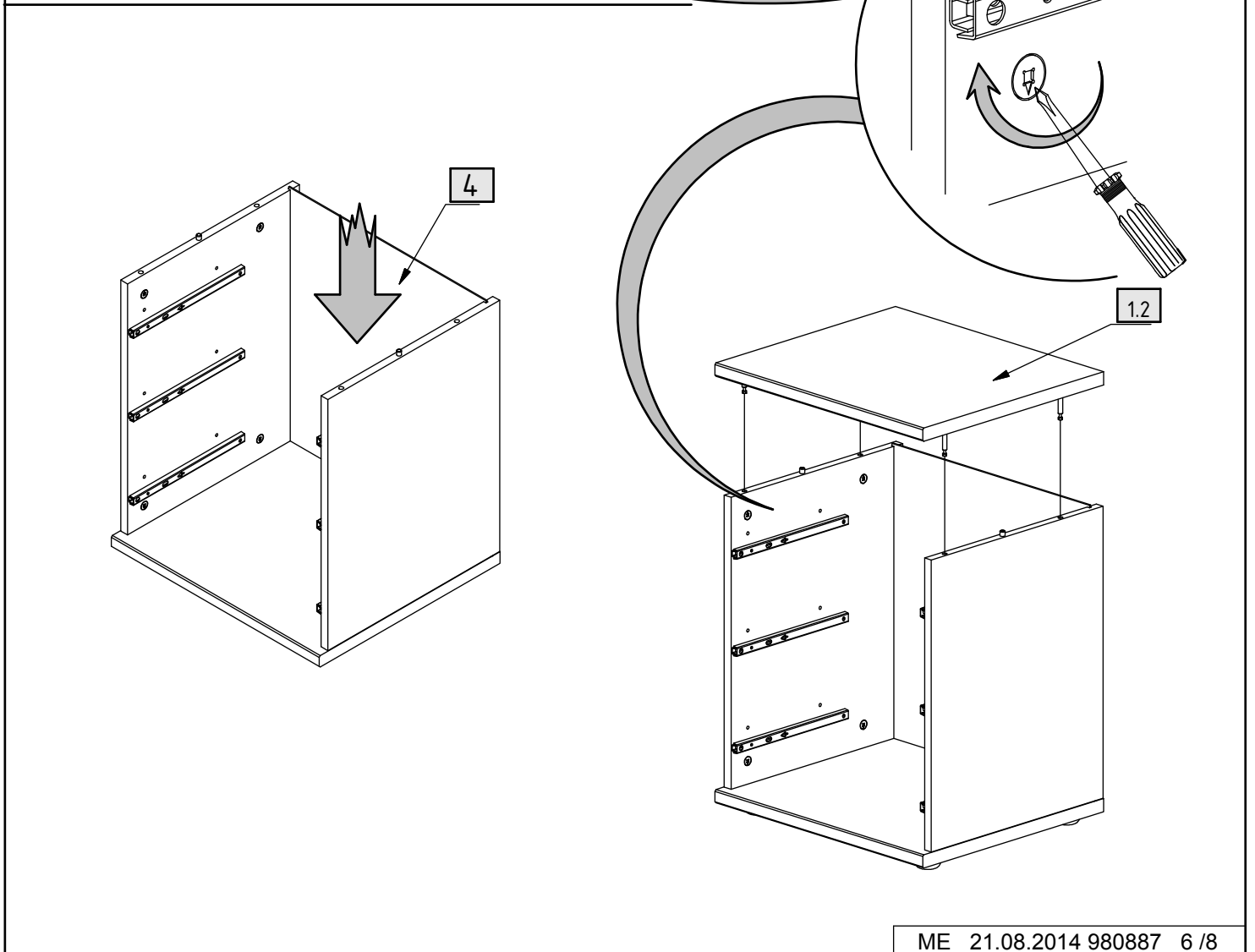
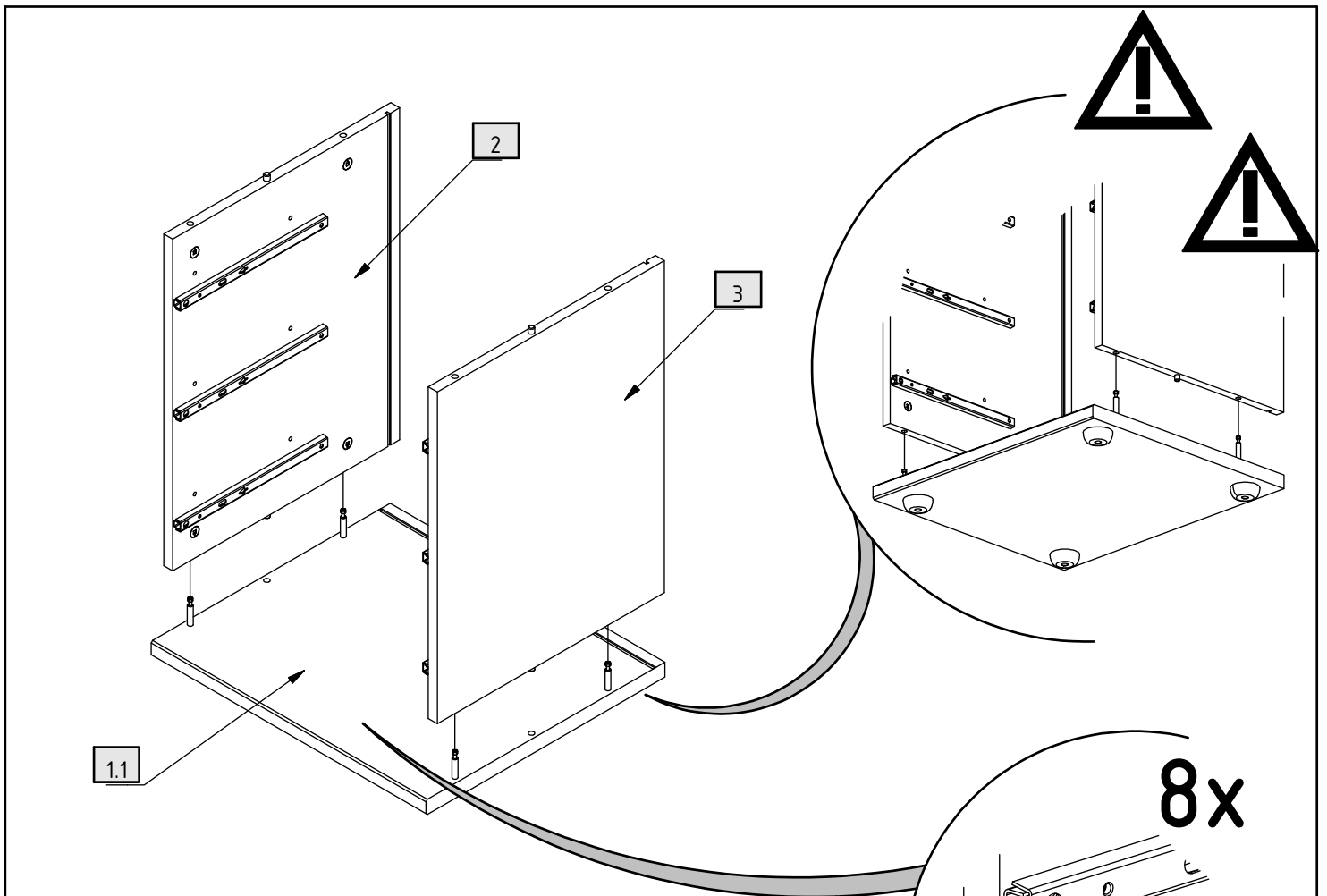


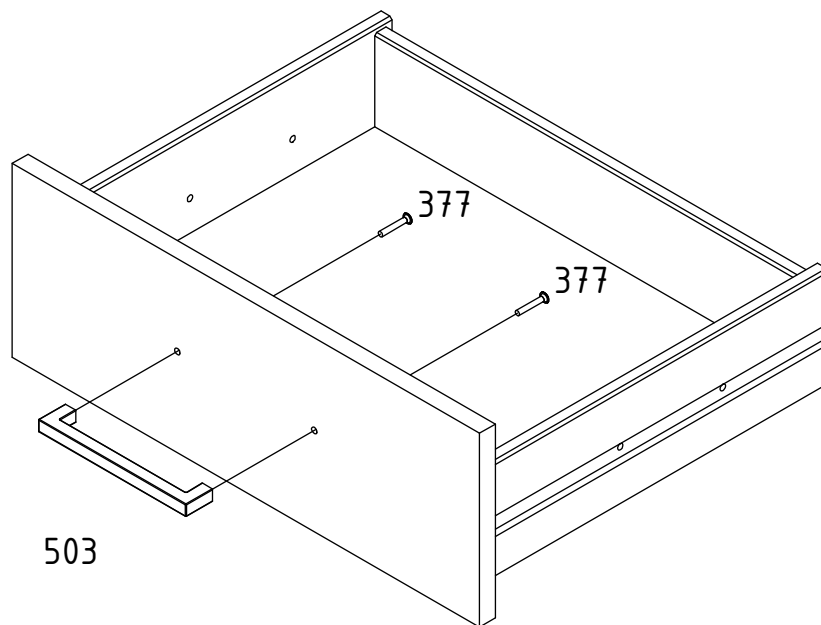
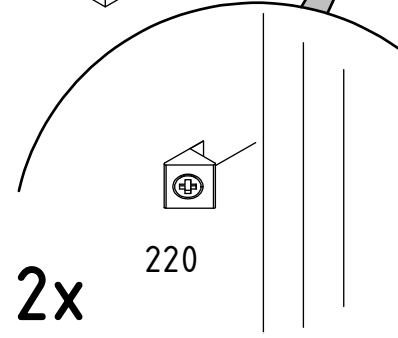
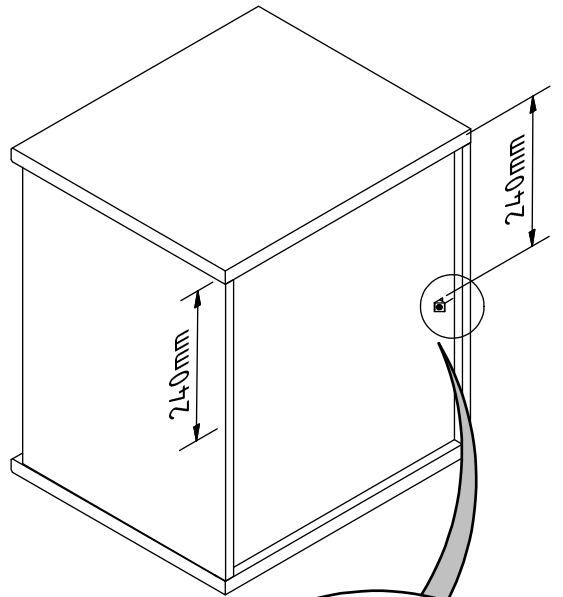
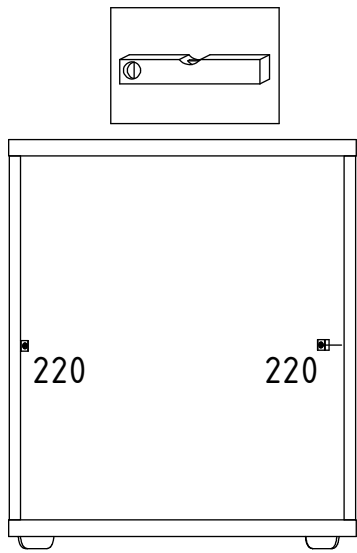
1x

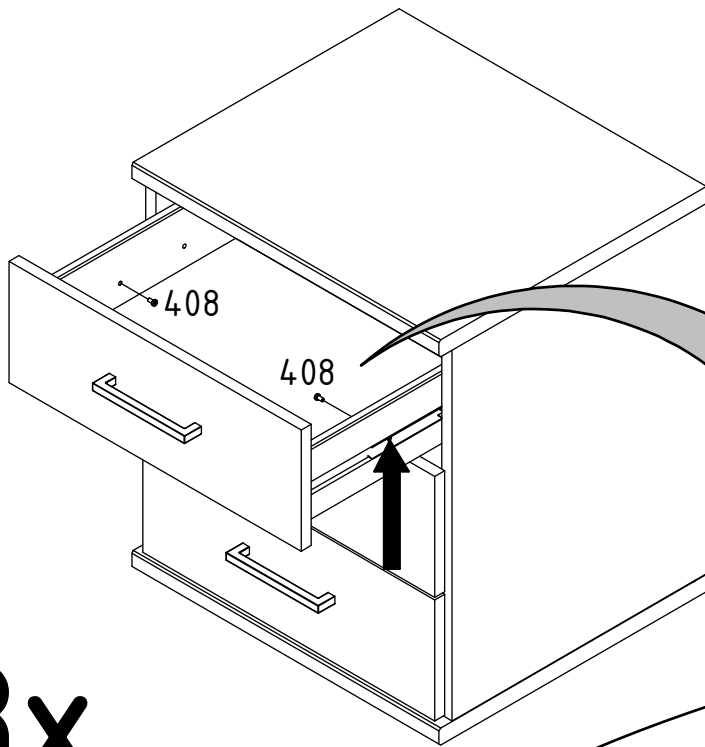


1x









3x

