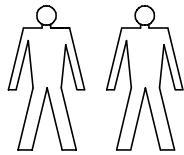
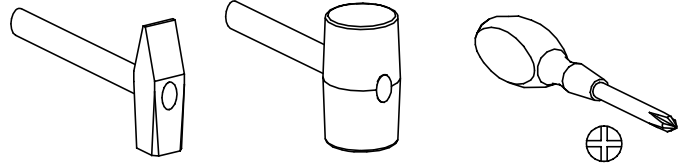


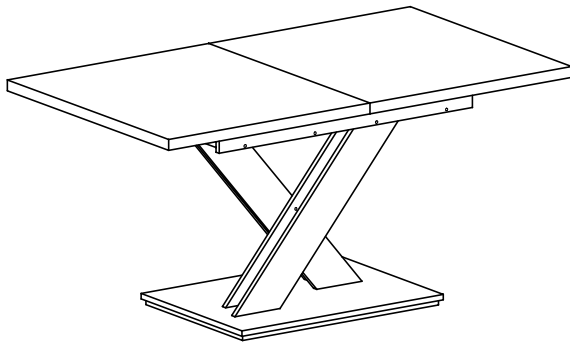
PLEASE READ THE INSTRUCTIONS
BEFORE ASSEMBLY!



TOOLS NEEDED FOR ASSEMBLY

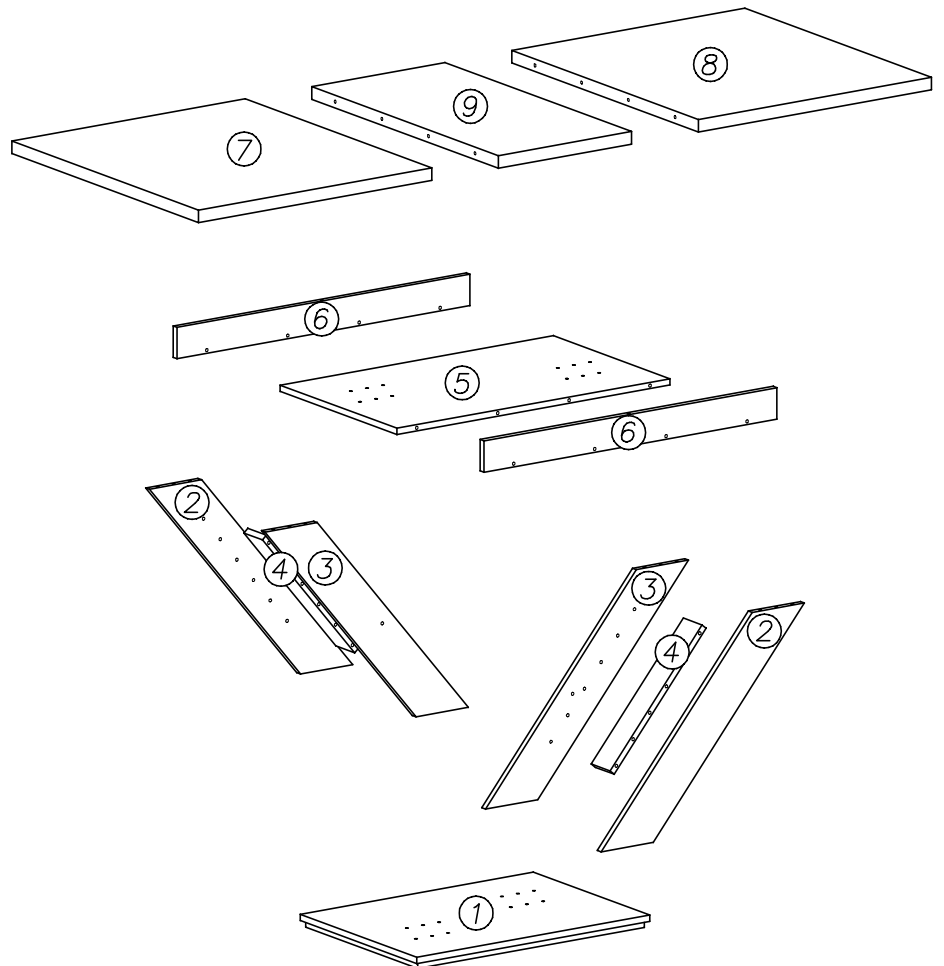





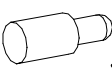
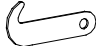


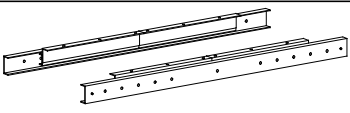
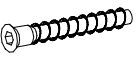


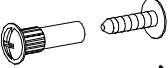

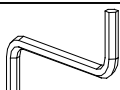
STÓŁ BRONX



IMPORTANT INFORMATION:

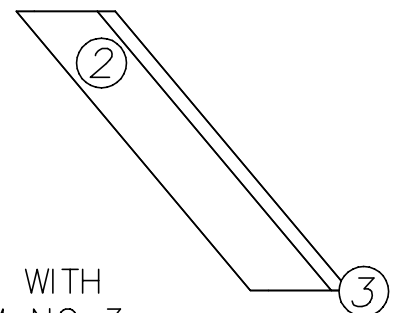
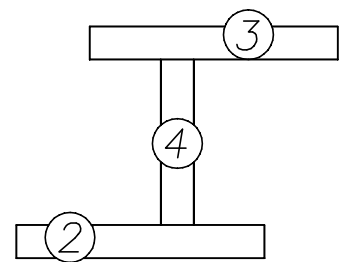
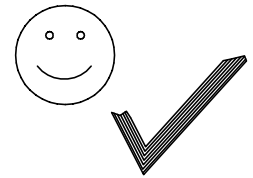
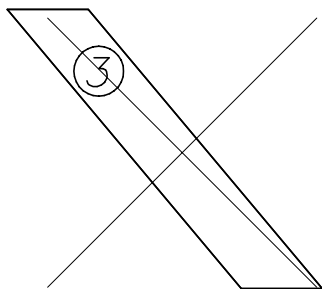
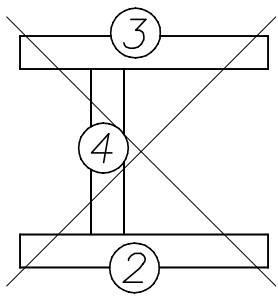
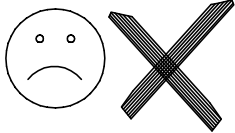
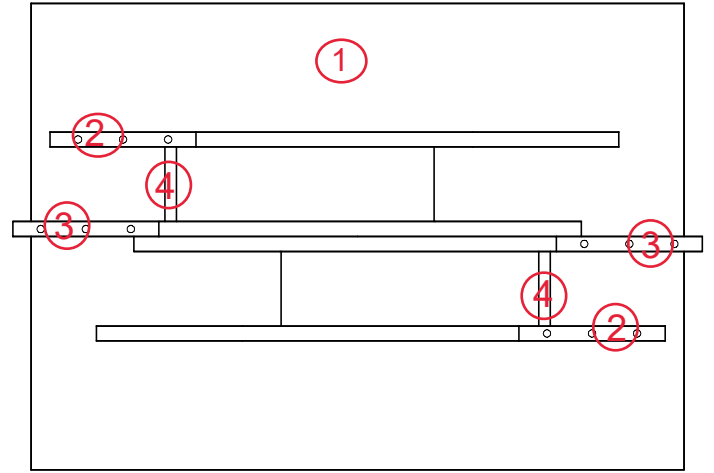
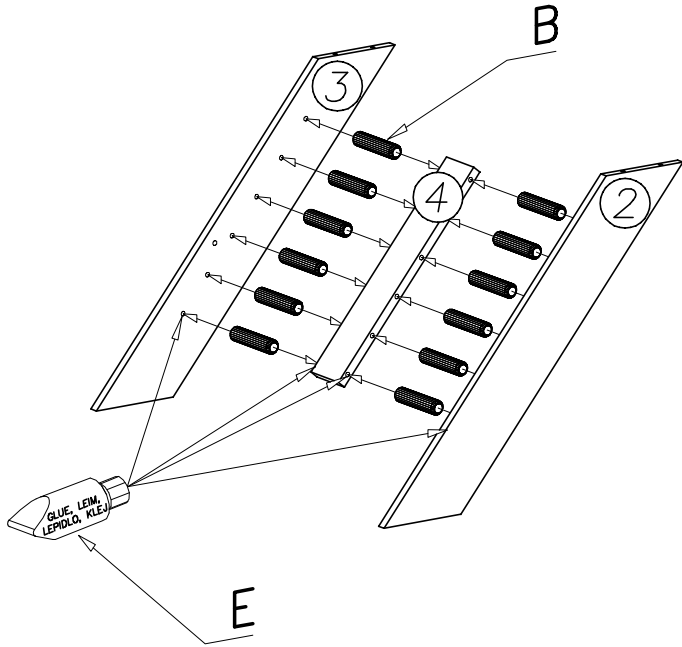
1) REMOVE THE PROTECTIVE FOIL IF THE
TABLE IS IN HIGH GLOSS



L	 x2	M	 7 x 50 x20	N	 x20						
G	 x10	H	 x4	I	 4 x 15 x8	J	 6,3 x 13 x30	K	 x1		
A	 7 x 70 x12	B	 8 x 30 x24	C	 x4	D	 x1	E	 GLUE, LEIM, LEPIDLO, LIM x1	F	 x1

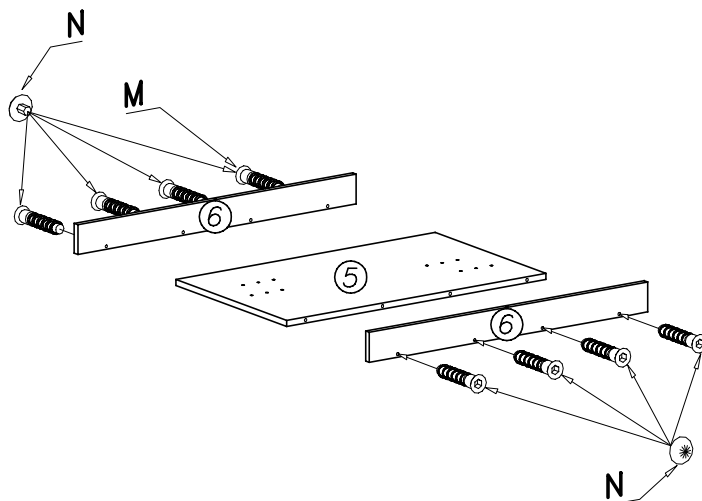
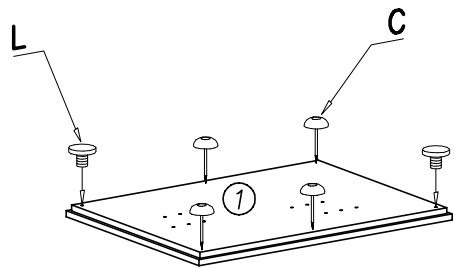
1

x2



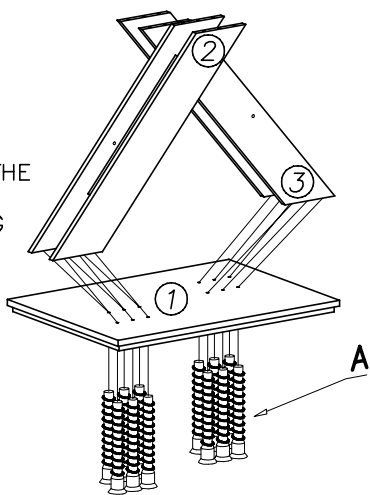
ASSEMBLE ITEM NO 2 WITH DISPLACEMENT TO ITEM NO 3

II

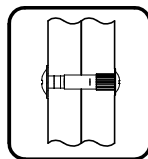


III

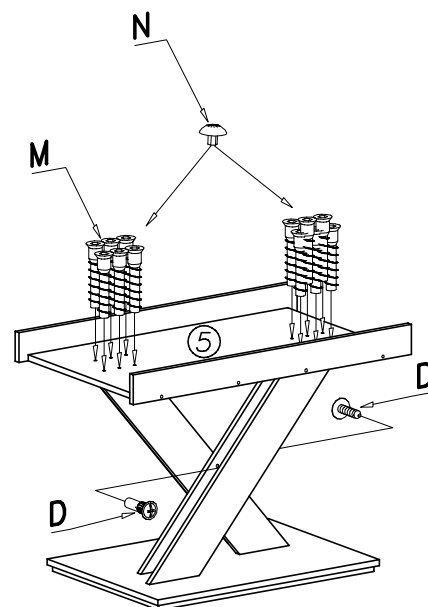
LOOSELY INSTALL THE SCREWS AND WASHERS SECURING THE LEGS TO THE TABLE BASE



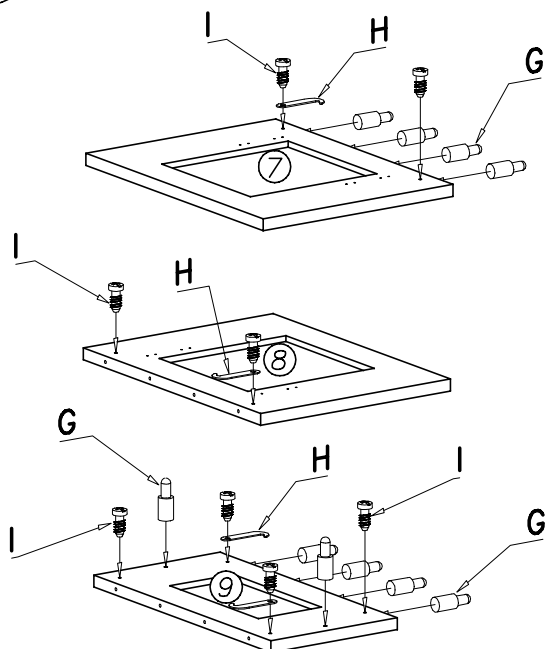
IV



LOOSELY INSTALL THE SCREWS AND WASHERS SECURING THE LEGS TO THE TABLE TOP

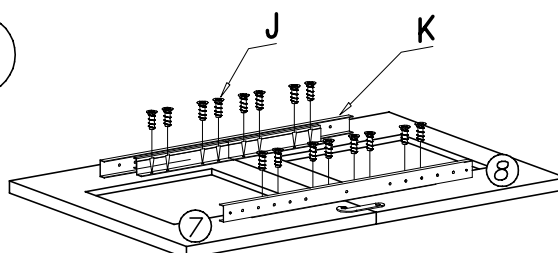


V

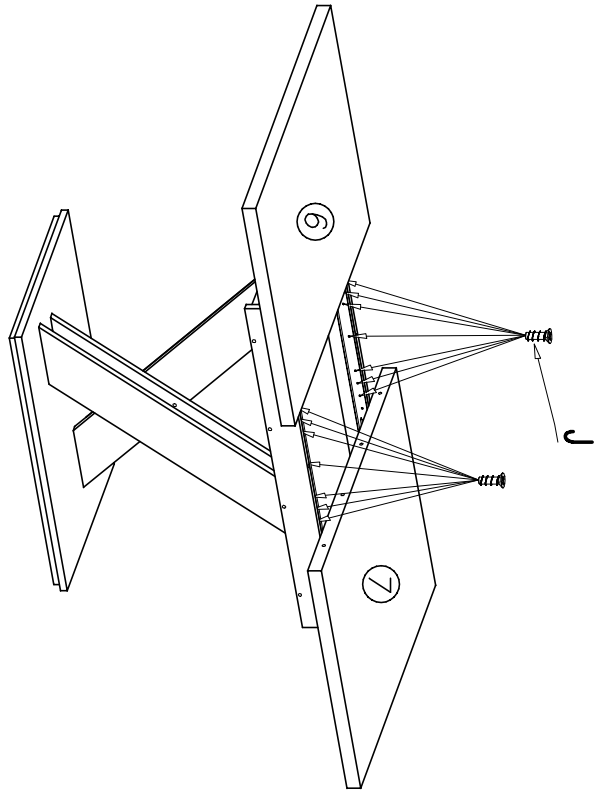


AFTER THIS STEP TIGHTEN ALL SCREWS

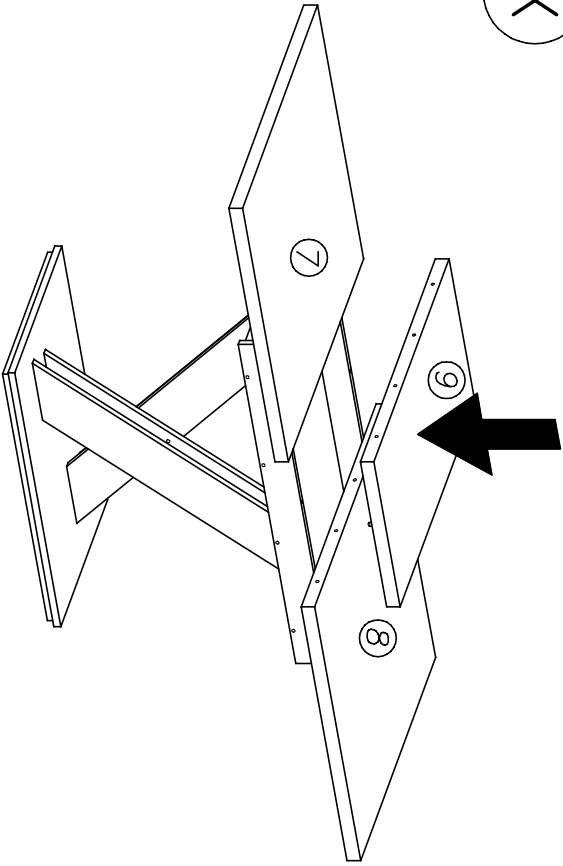
VI



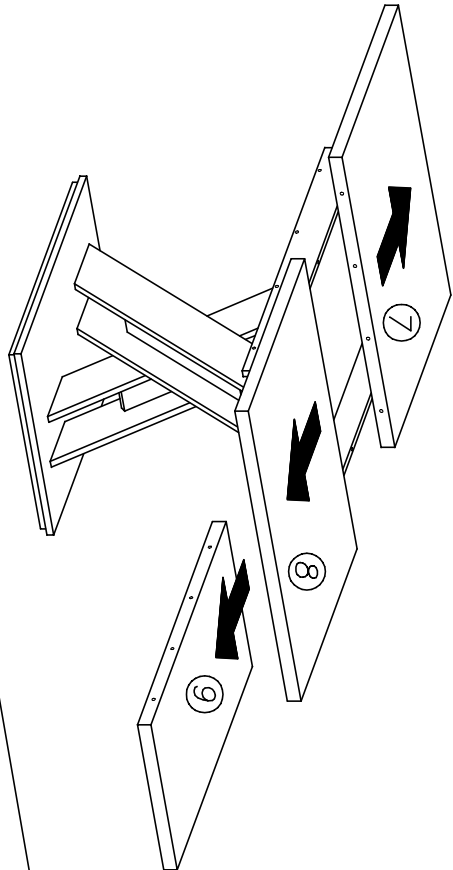
VII



IX



VIII



X

