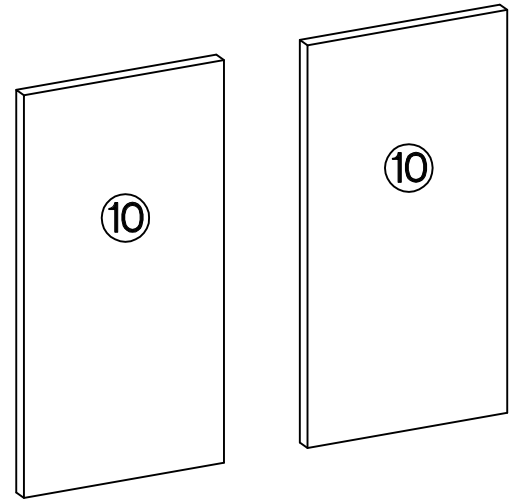
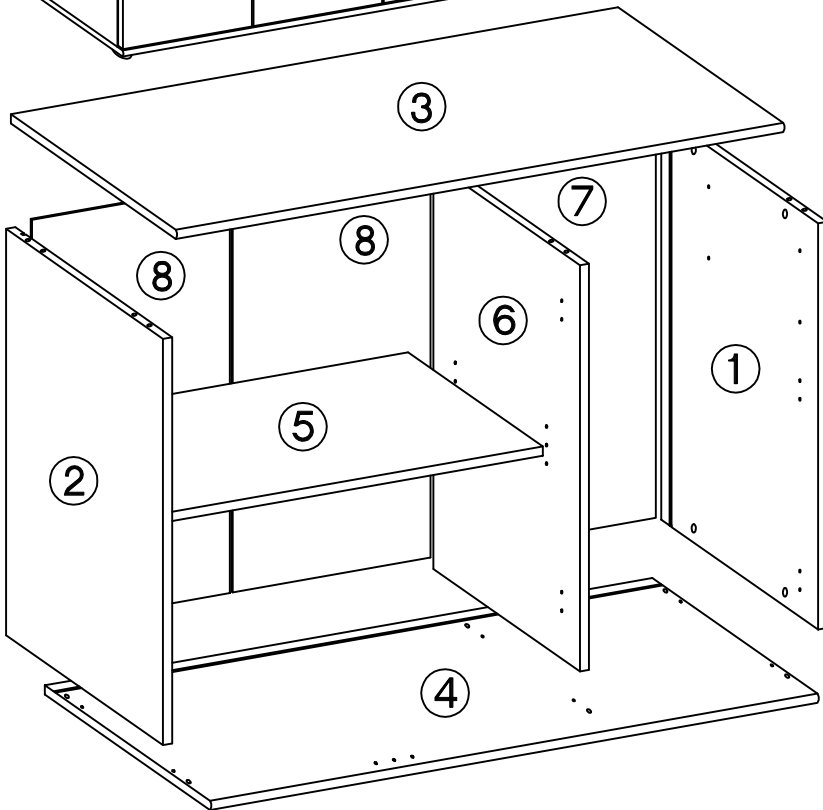
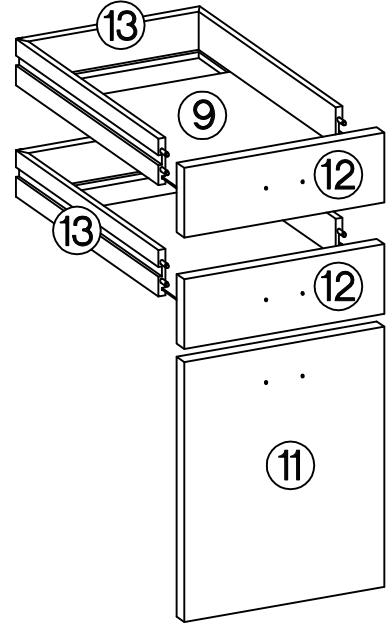
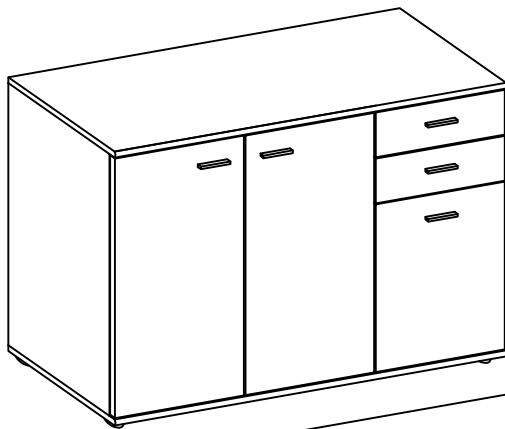
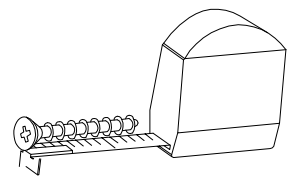







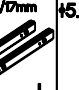


## M-ISM-SLO-01

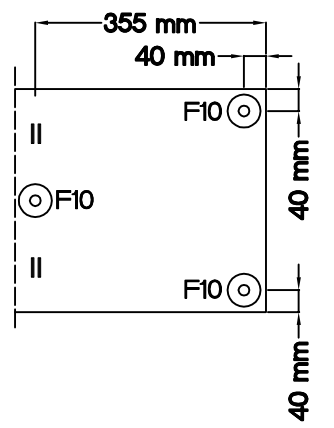
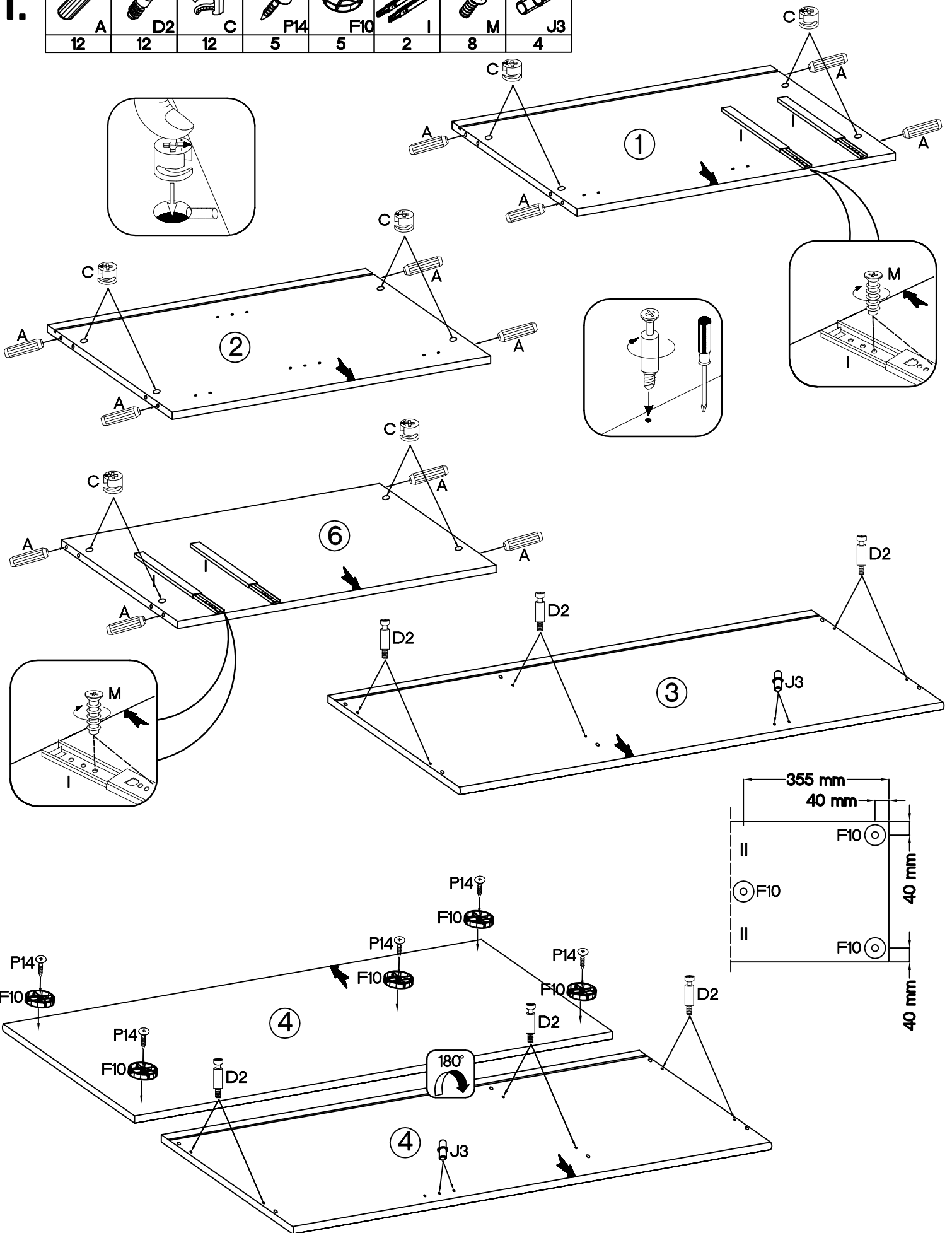


P5	H	G1	P14	F10	U1	O7	L9	L2	J3	L	
13	6	2	5	5	4	1	1	5	8	10	
S13	L1	M	A	D2	C	E	O1	G	I	R2	P7
5	1	8	20	12	12	8	1	4	2	10	5





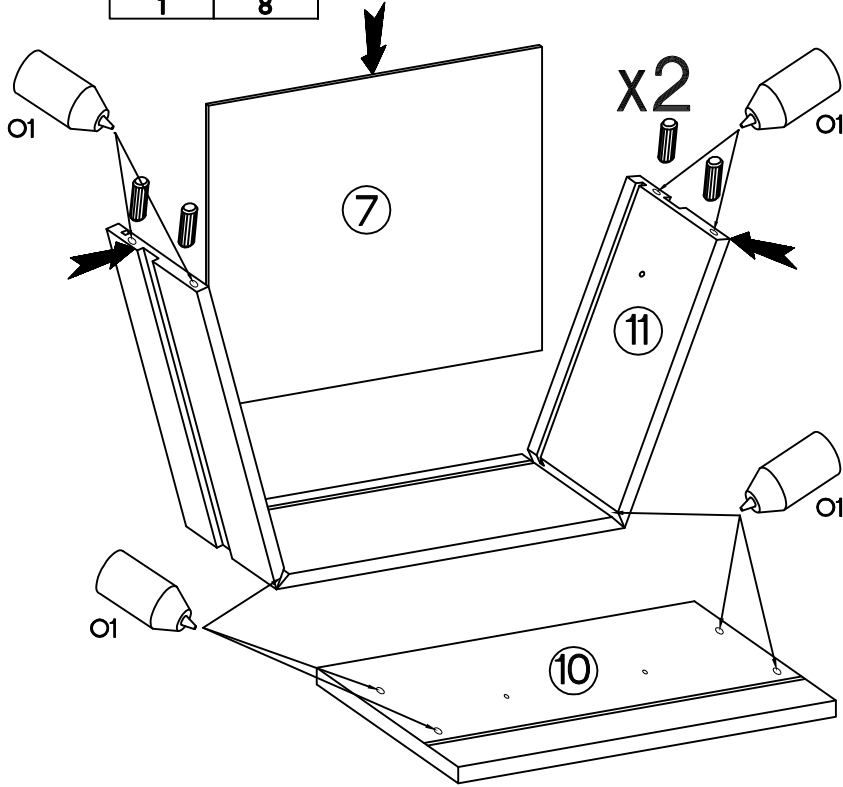
**1.**

 <b>A</b>	 <b>D2</b>	 <b>C</b>	 <b>P14</b>	 <b>F10</b>	 <b>I</b>	 <b>M</b>	 <b>J3</b>
12	12	12	5	5	2	8	4





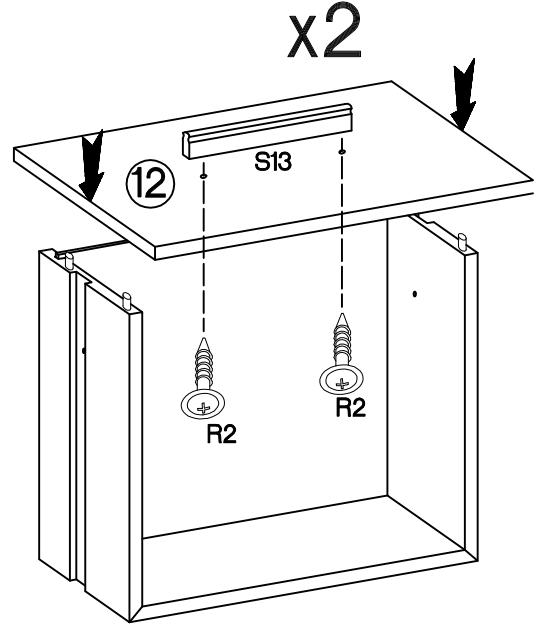
## 2.

	
O1	A
1	8

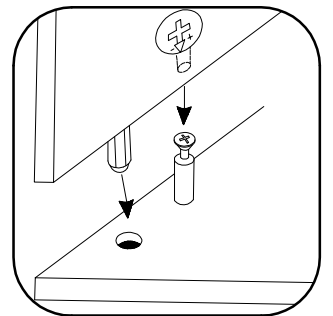
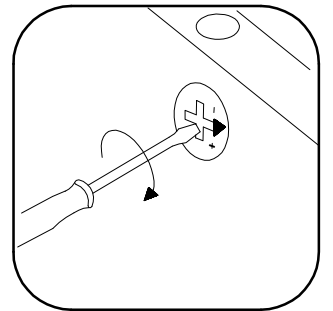
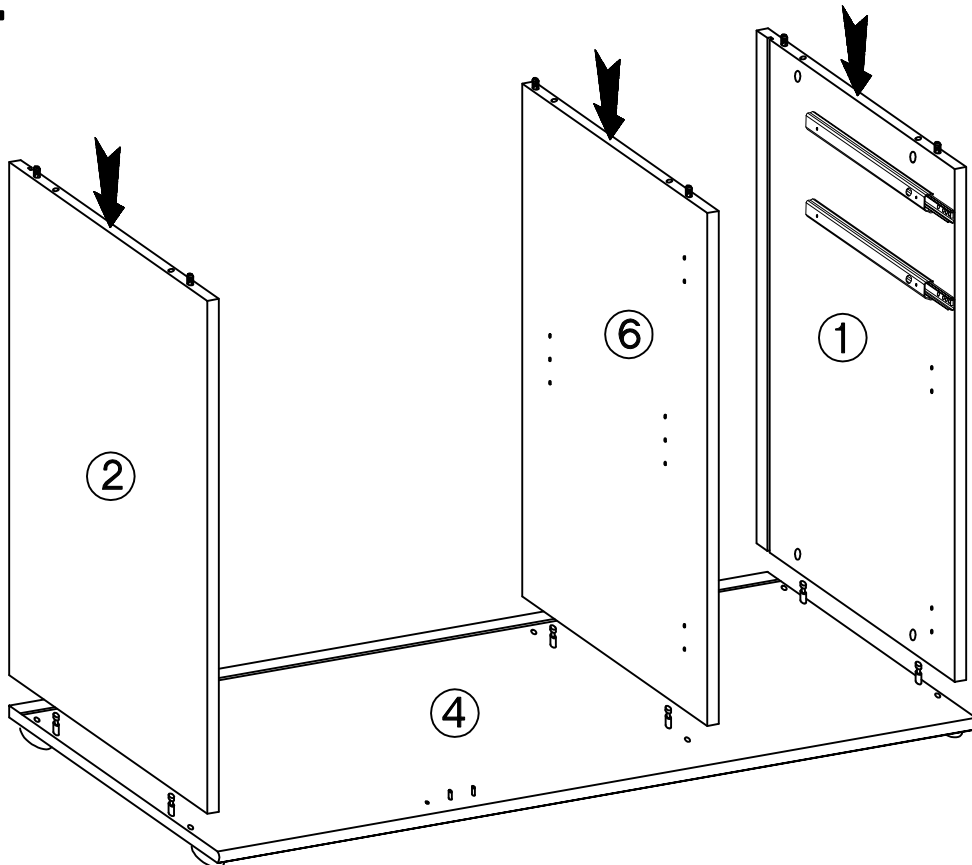


## 3.

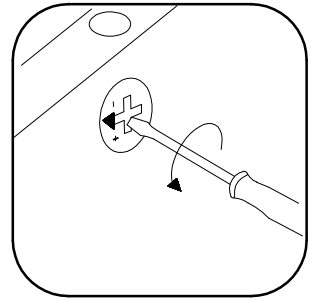
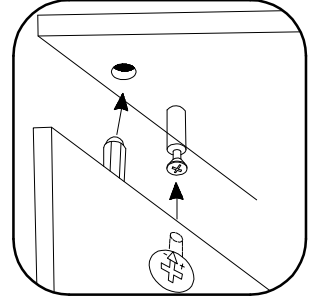
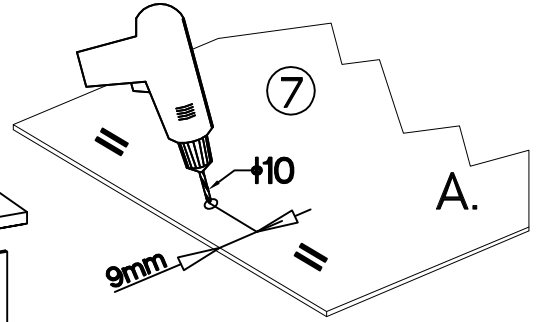
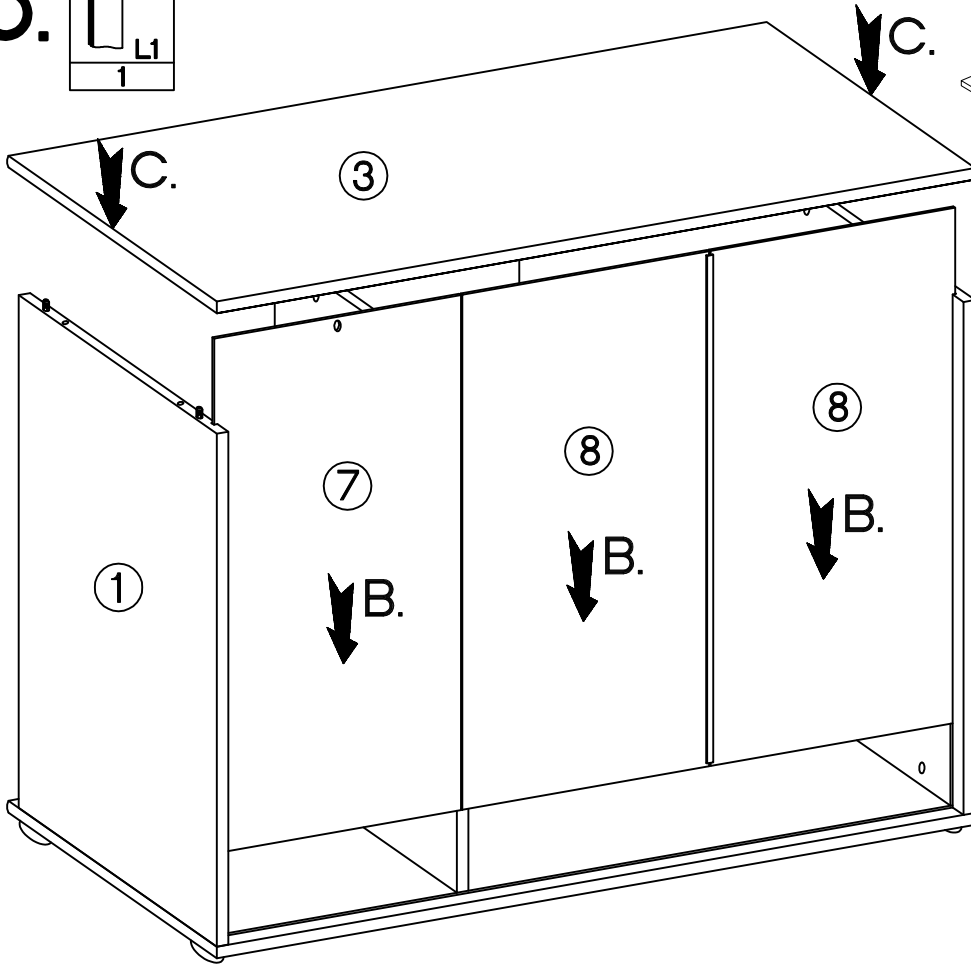
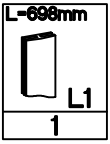
	
S13	R2
2	4



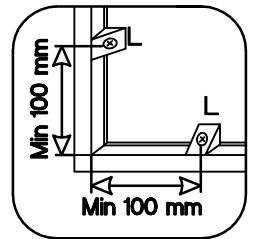
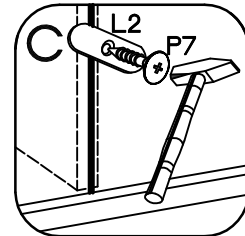
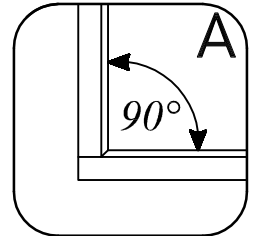
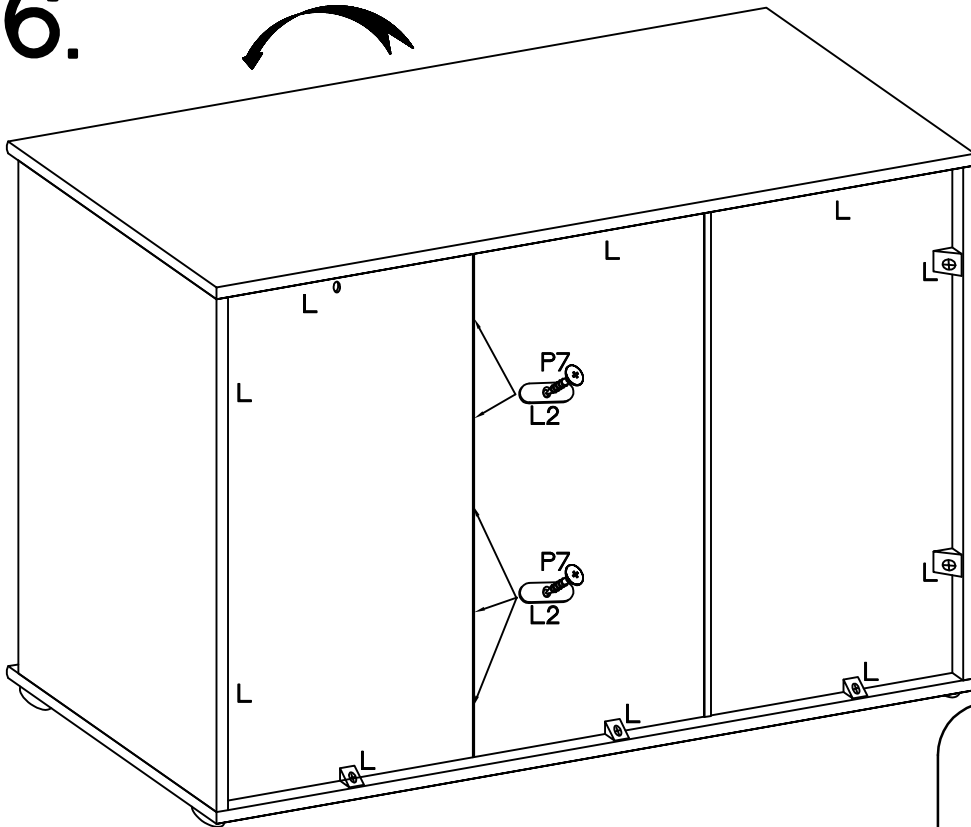
## 4.



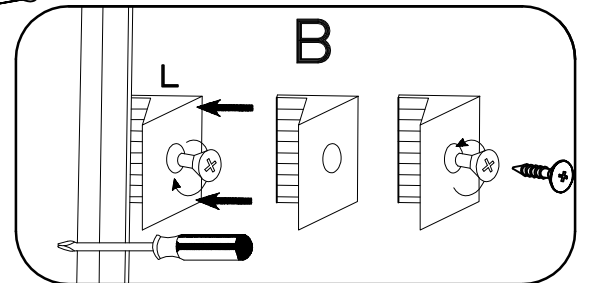
## 5.



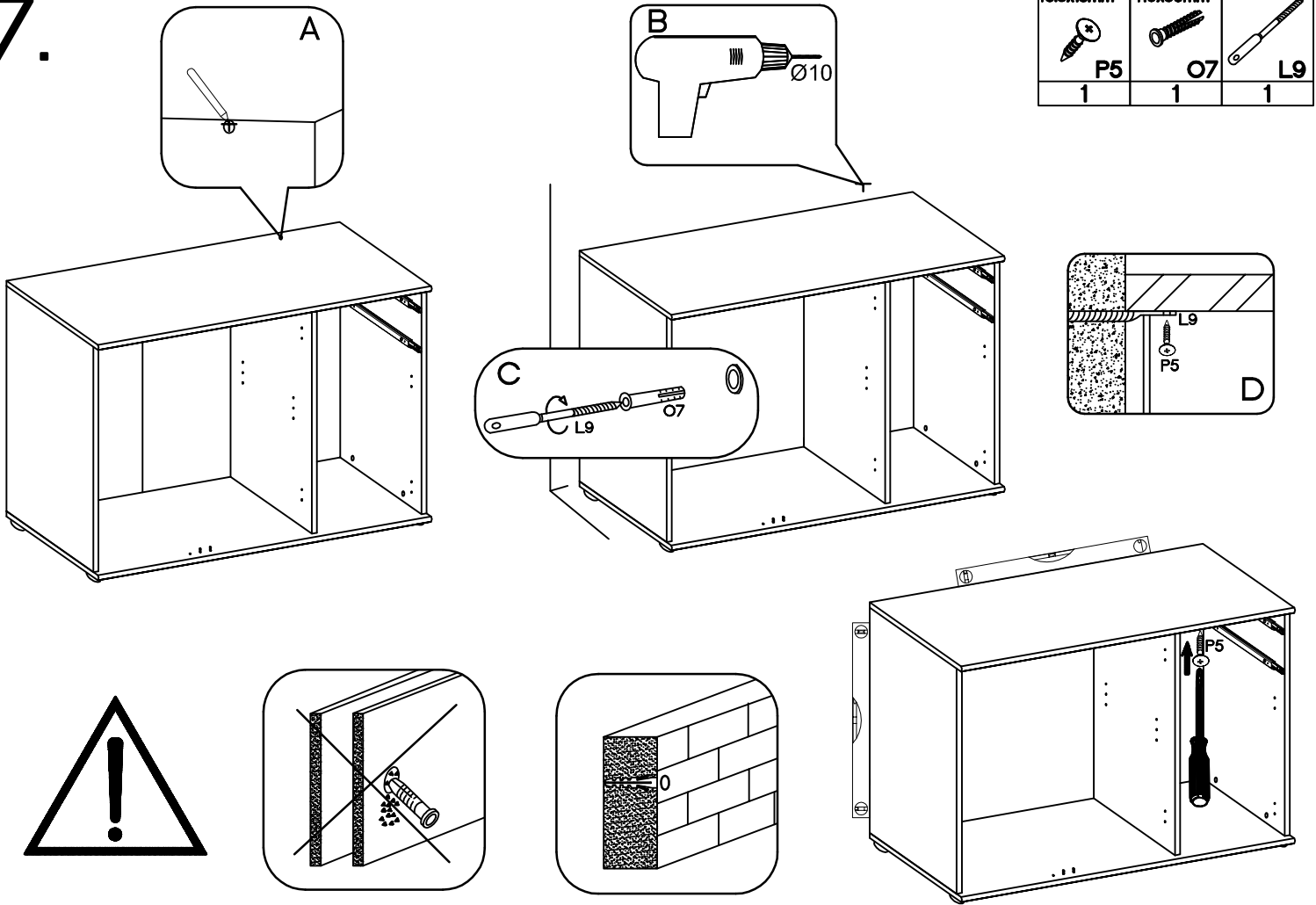
## 6.



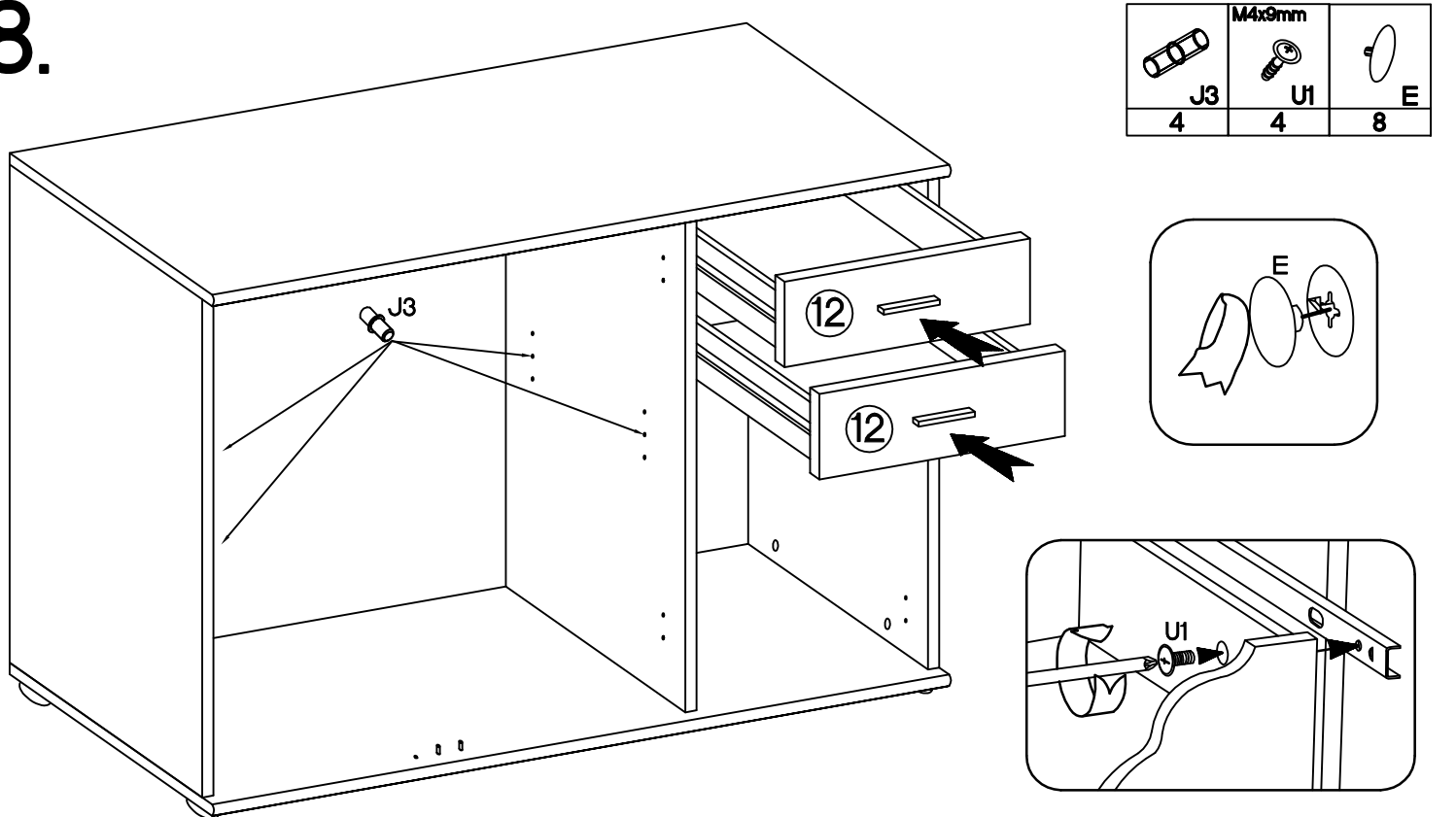
10	5	5







## 7.

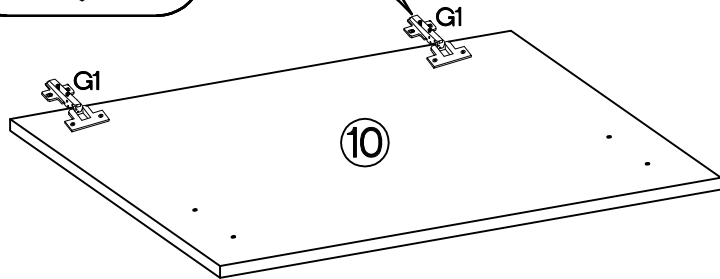
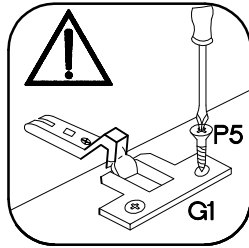
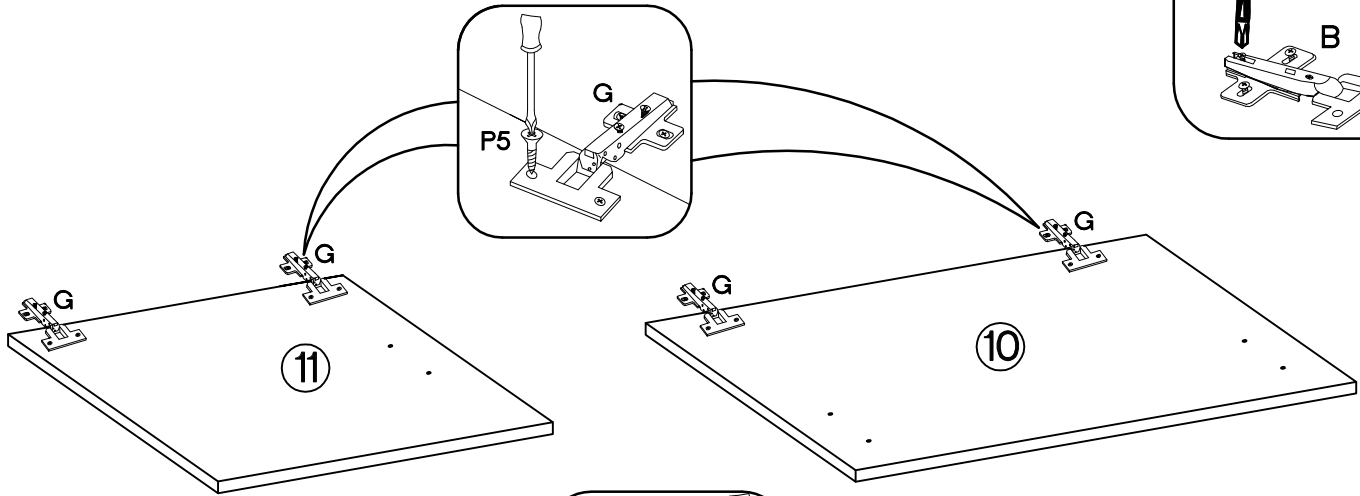
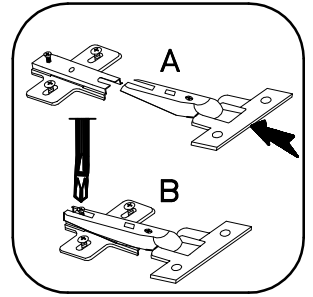


## 8.





# 9.

Ø3.5x13mm		Ø35/9mm	Ø35/0mm
			
P5	H	G1	G
12	6	2	4



## 10.

L=64 mm	4.0x30mm
	
S13	R2
3	6

