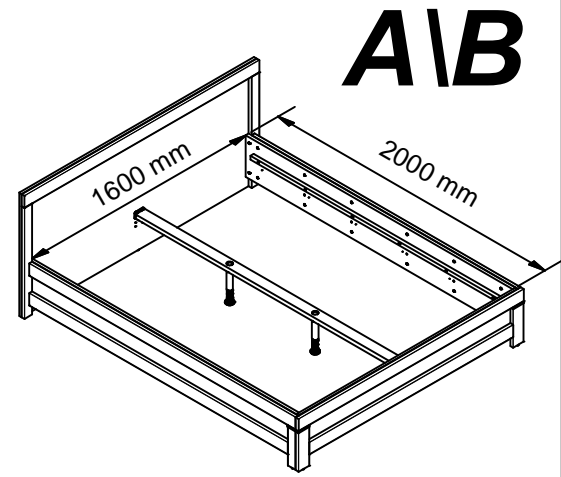
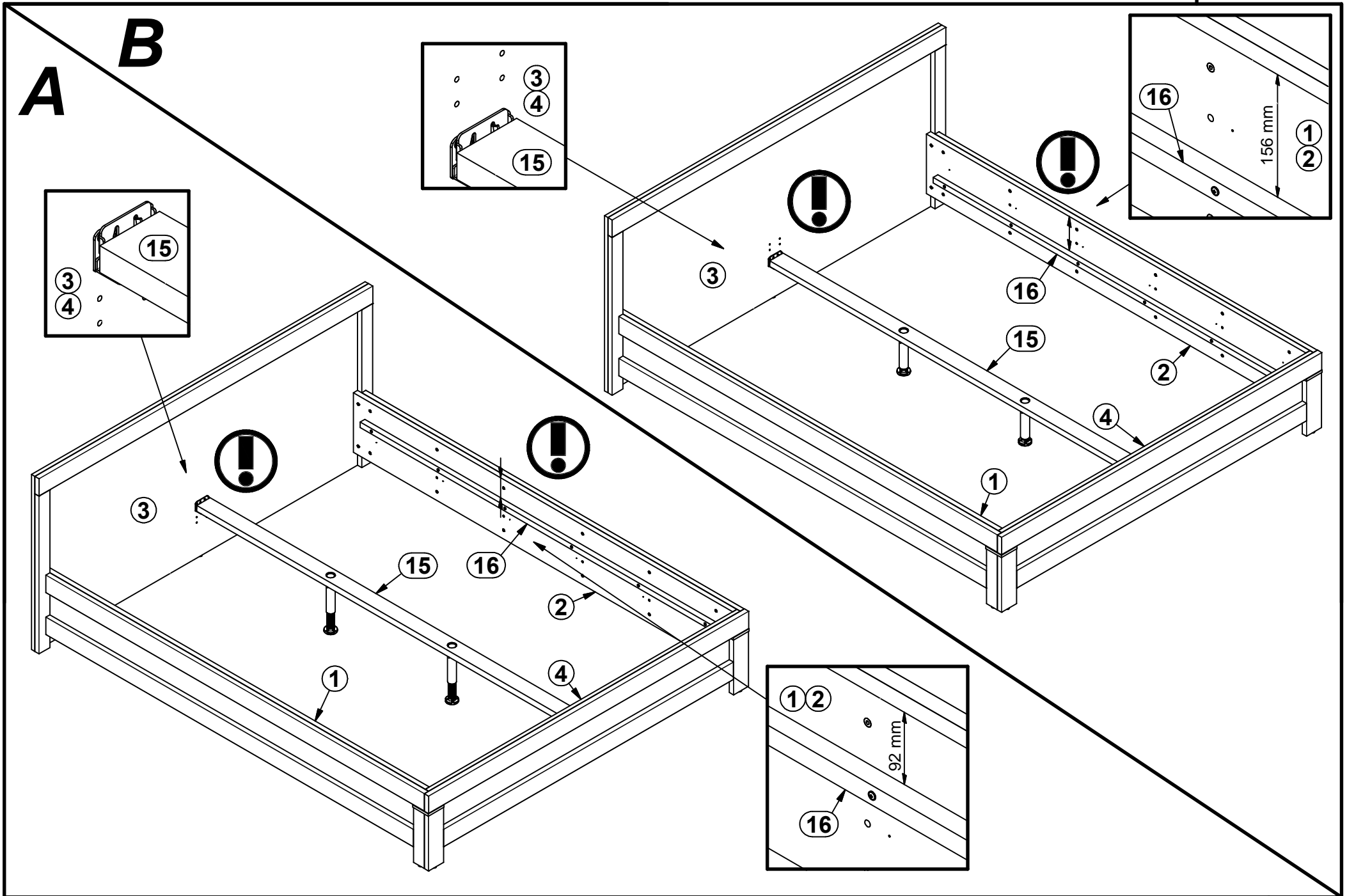
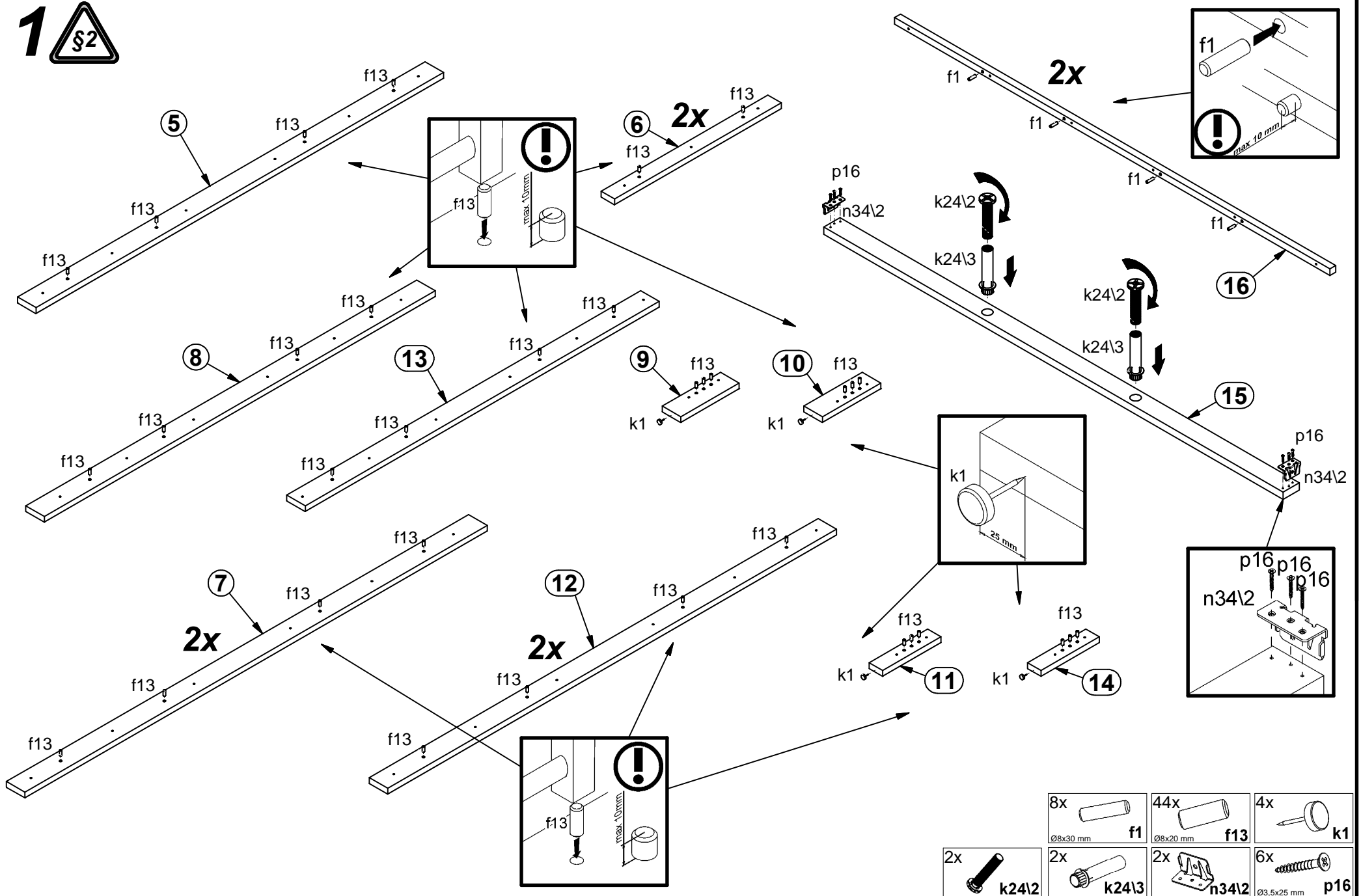


A	B	C (mm)		D
1	S228-136	2000	272	1/2
2	S228-141	2000	272	1/2
3	S228-415	800	1760	2/2
4	S228-416	1644	272	2/2
5	S228-5562	1760	80	2/2
6	S228-5563	720	58	2/2
7	S228-5564	1996	80	1/2
8	S228-5565	1688	80	2/2
9	S228-5566	252	80	2/2
10	S228-5567	252	80	2/2
11	S228-5568	252	58	2/2
12	S228-5569	1938	80	1/2
13	S228-5570	1528	80	2/2
14	S228-5578	252	58	2/2
15	ZZ1-745	1983	70	1/2
16	ZZ1-747	1880	25	1/2

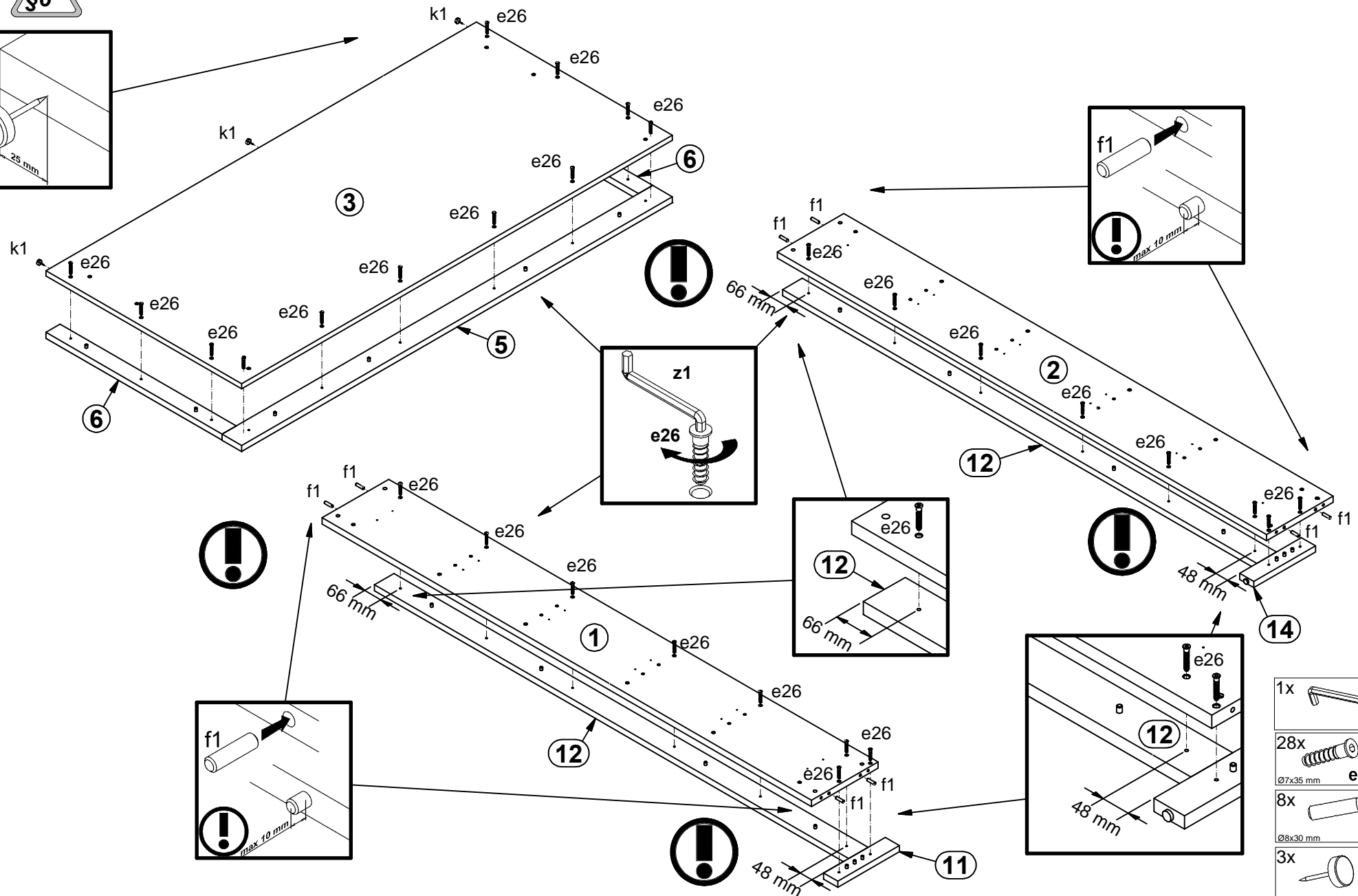
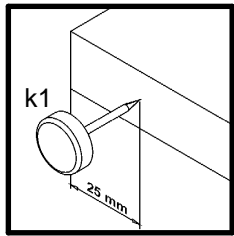




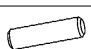

8x Ø6x13 mm e3	56x Ø7x35 mm e26	16x Ø8x30 mm f1	44x Ø8x20 mm f13	cm 0 1 2 3 4 5 6 7 8 9 10					
7x k1	2x k24 2	2x k24 3	2x k101	2x n34 1	2x n34 2	6x Ø4x35 mm p6	12x Ø4x40 mm p10	6x Ø3.5x25 mm p16	
4x Ø3.5x20 mm p79	8x M6x50 mm r5 2	8x Ø10x16 mm r43	1x z1						



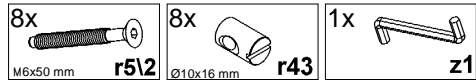
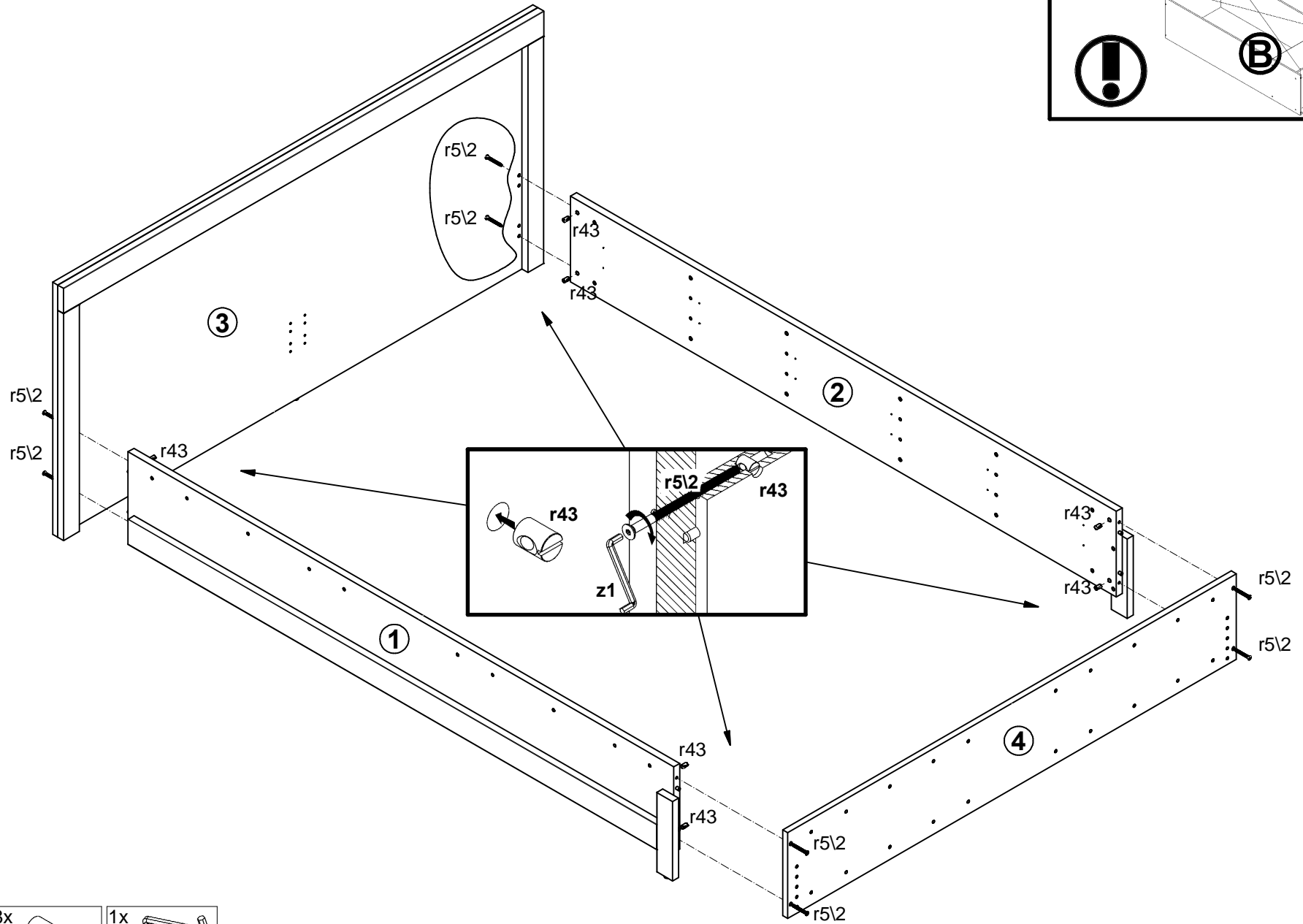
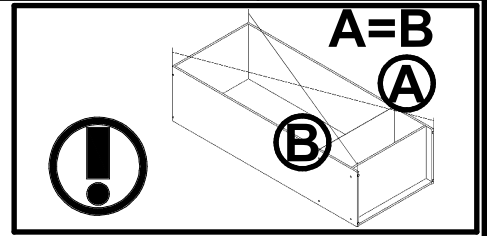


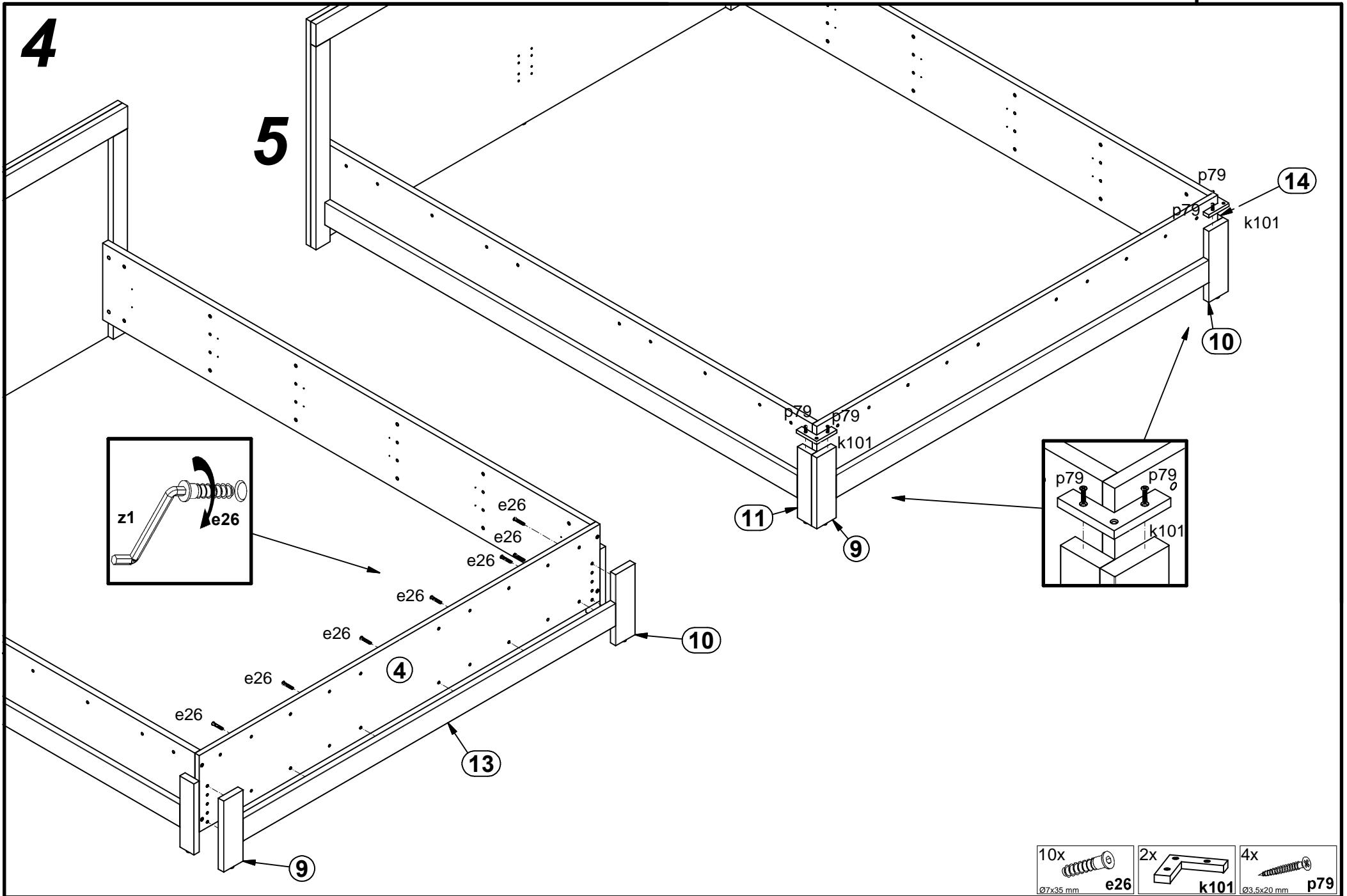
2 



- 1x  z1
- 28x  e26
Ø7x35 mm
- 8x  f1
Ø8x30 mm
- 3x  k1

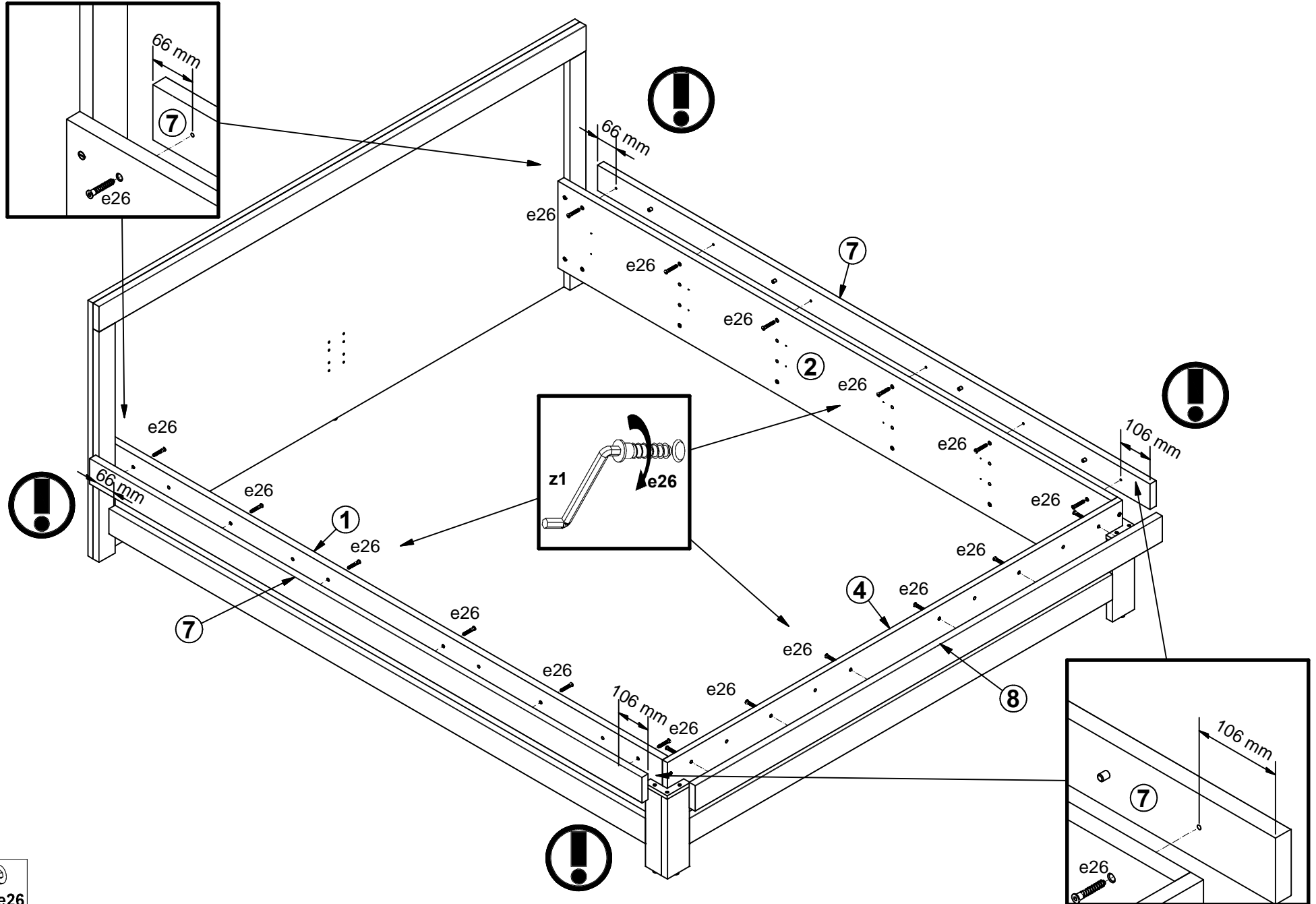
3





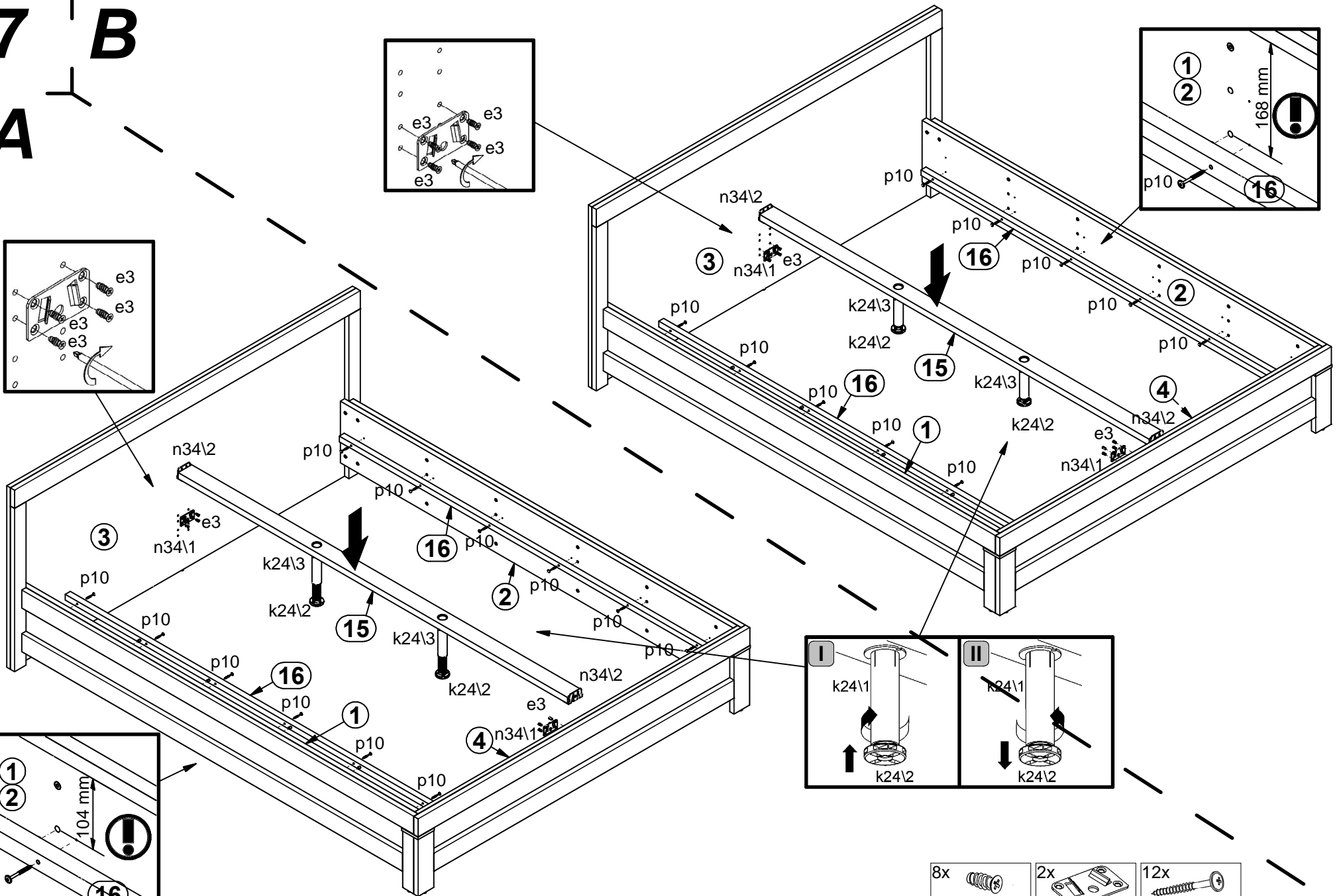
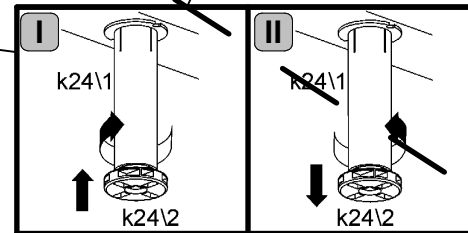
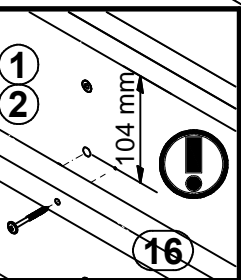
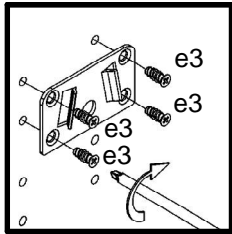
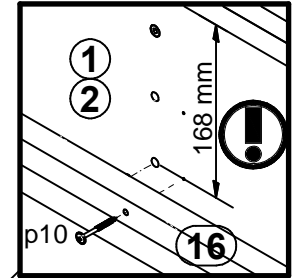
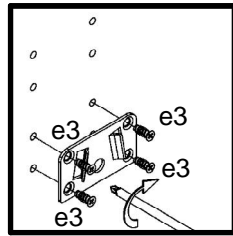
- 10x e26 $\varnothing 7 \times 35$ mm
- 2x k101
- 4x p79 $\varnothing 3.5 \times 20$ mm

6



18x
Ø7x35 mm e26

7 B
A



- 8x e3 Ø6x13 mm
- 2x n34\1
- 12x p10 Ø4x40 mm

8

