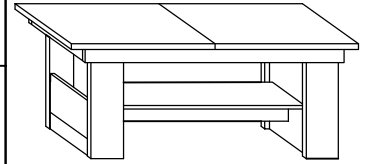


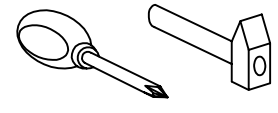
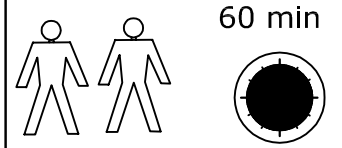


MXS-17 ŁAWA R

→ 125/170 + 53/69 ↘ 68



| | | | | | |
|------------------------|---------------------------|-------------------------|---------------|--------------------------|---------------------------|
| x 8 a | x 41 b | x 41 c | x 28 d | x 4 e | x 10 f |
| x 2 h | x 2 i | x 4 j | x 8 k | x 8 (3,5x16) l | x 16 (6,2x13) m |
| x 2 (3x20) n | x 16 (6,3x13) o | x 20 (3x13) p | x 1 r | x 1 s | |
| x 1 g | | | | | |

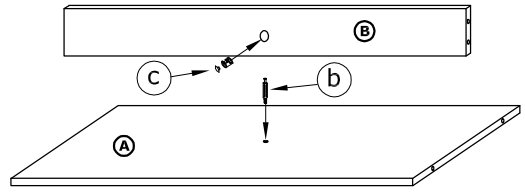
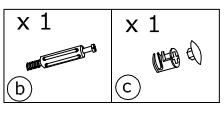


1 - FAZY MONTAŻU

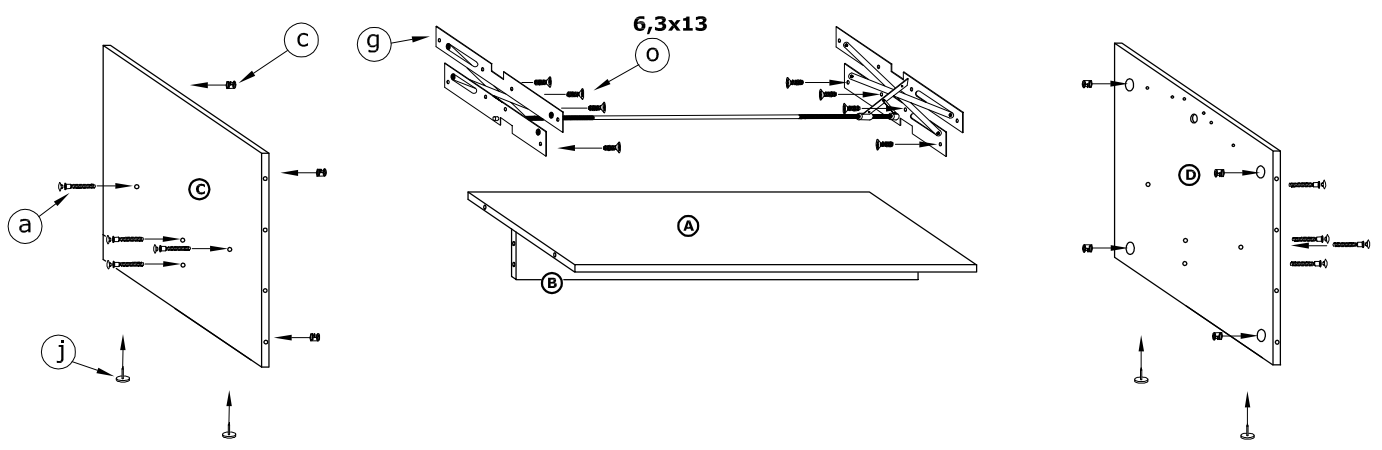
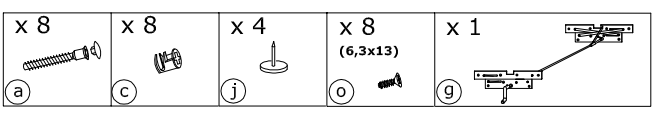
A - OZNACZENIE ELEMENTÓW

a - OZNACZENIE AKCESORIÓW

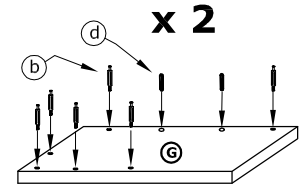
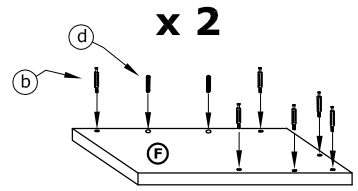
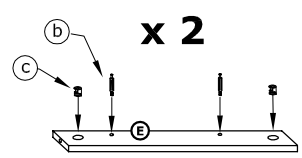
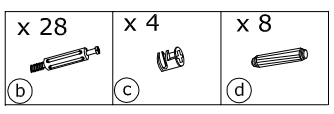
1



2



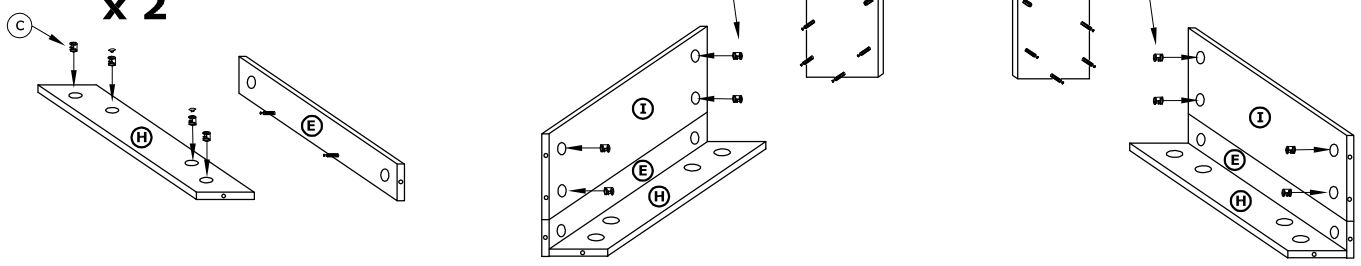
3



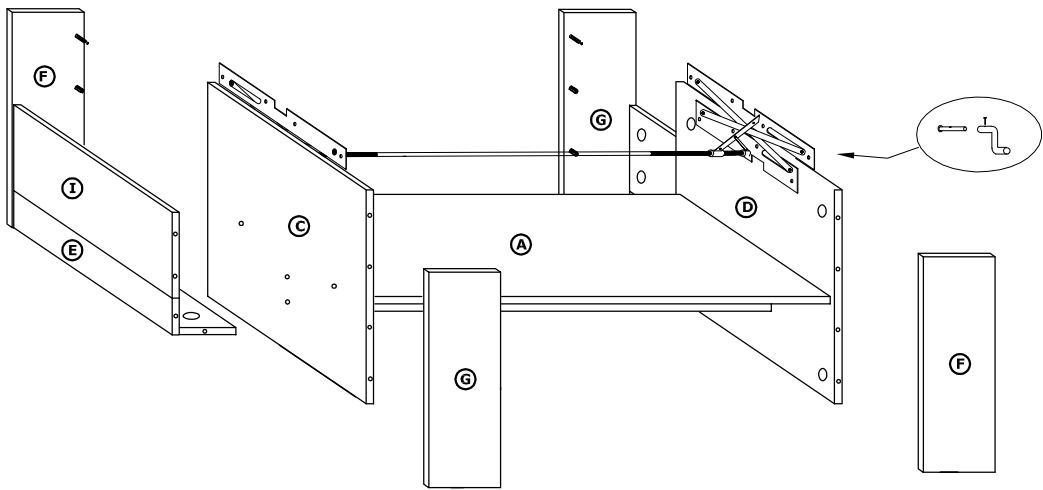
4 x 8
C

5 x 8
C

x 2



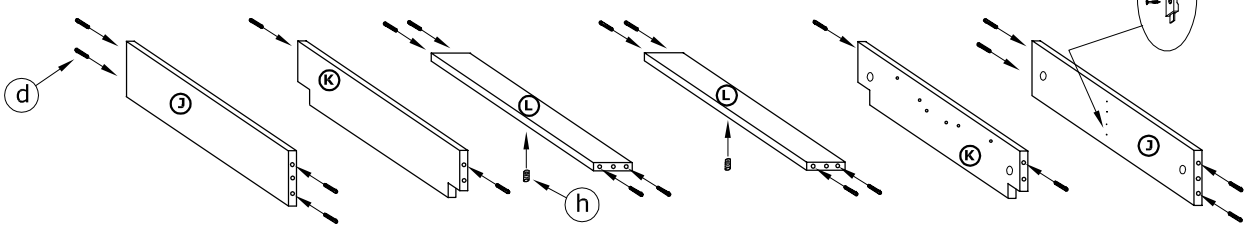
6



7

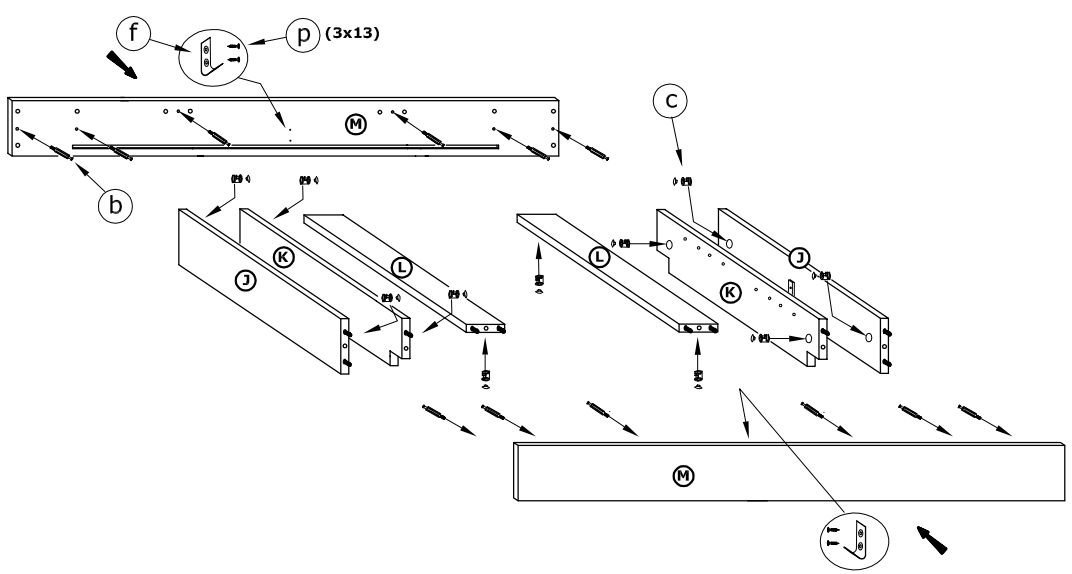
x 20 d x 2 h x 2 (3x20) n x 1 r

3x20 n r



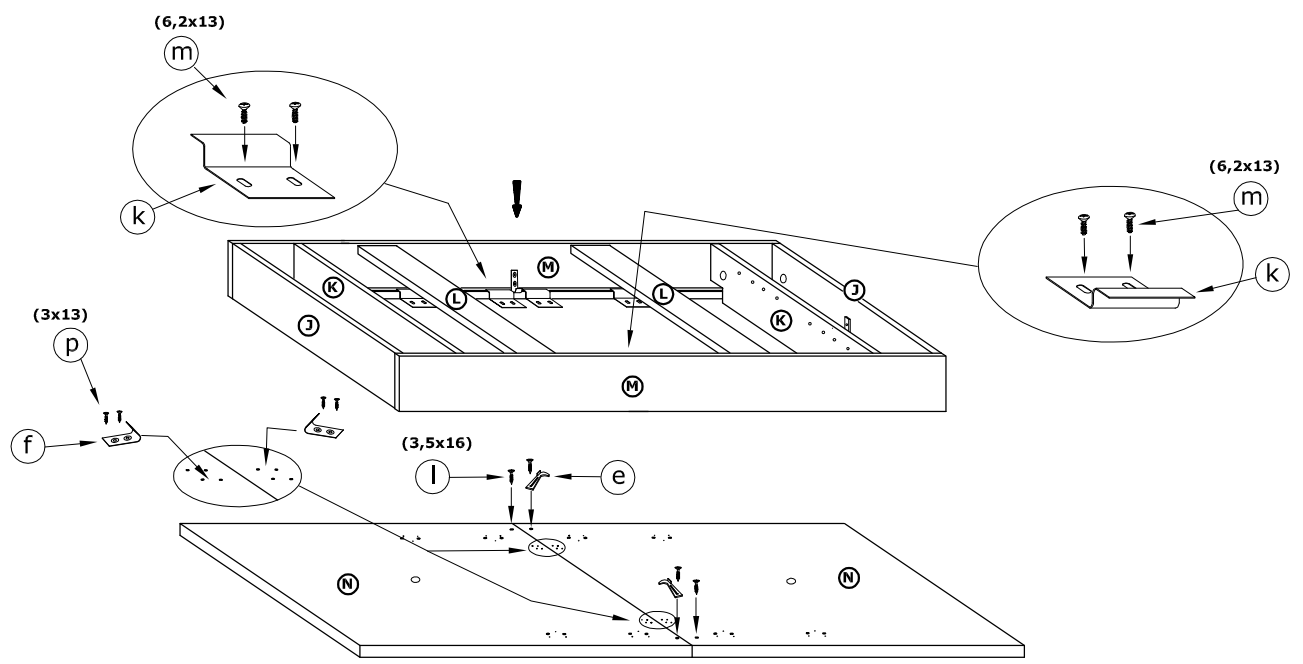
8

x 12 b
x 12 c
x 4 (3x13) p
x 2 f



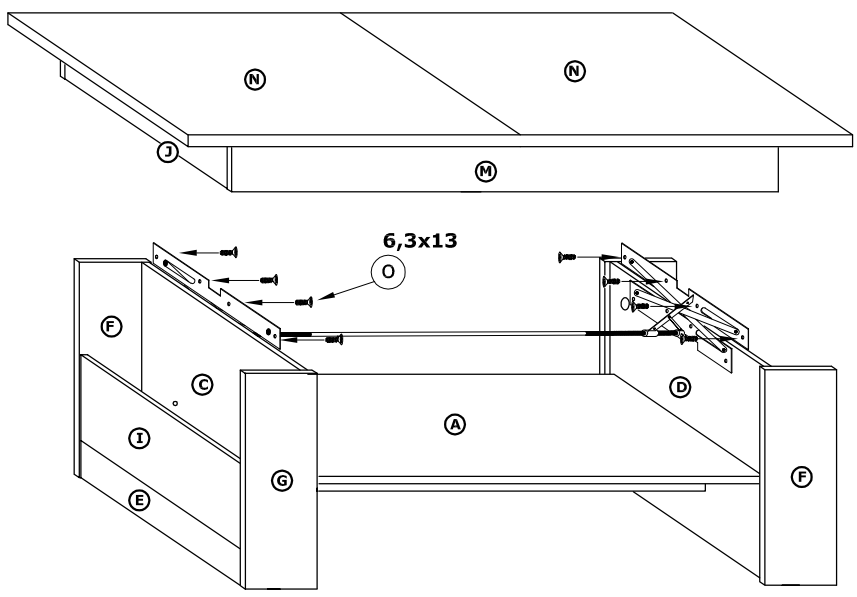
9

- x 2 (e)
- x 4 (f)
- x 8 (k)
- x 4 (3,5x16) (l)
- x 16 (6,2x13) (m)
- x 8 (3x13) (p)



10

- x 8 (6,3x13) (o)



11

- x 2 (e)
- x 4 (f)
- x 2 (i)
- x 4 (3,5x16) (l)
- x 8 (3x13) (p)

