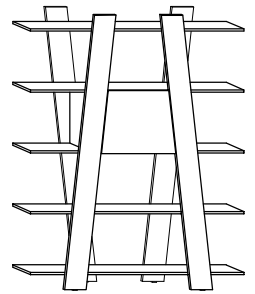




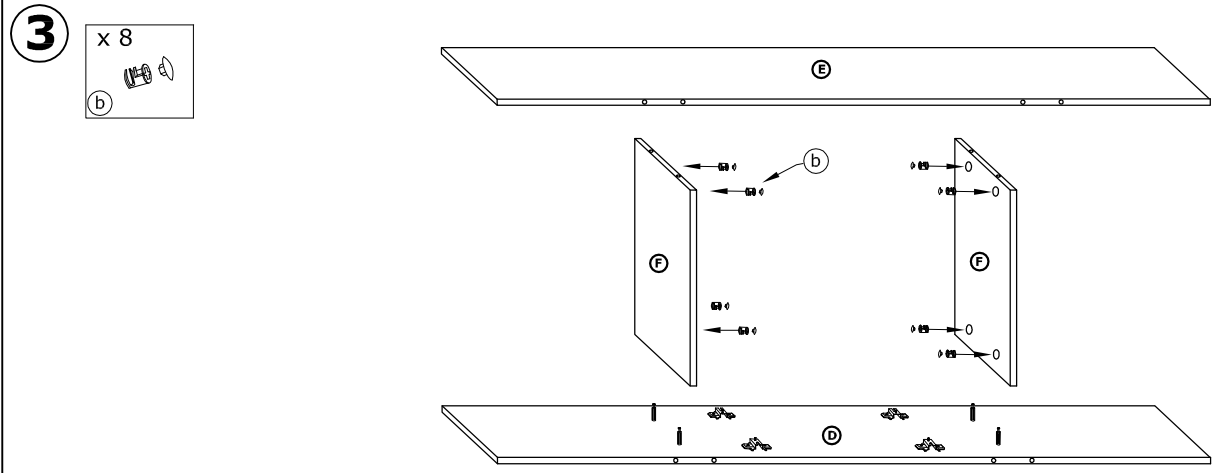
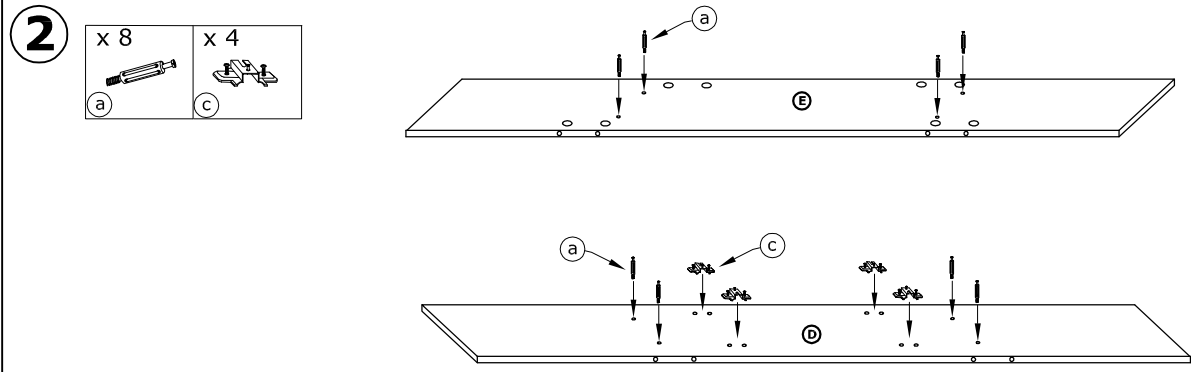
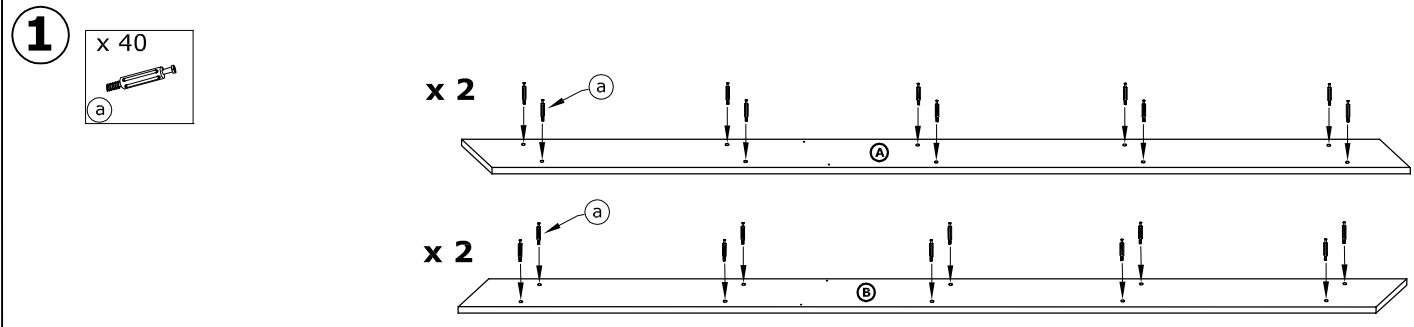
# VIA-08 REGAŁ 150-2D

→ 150 × 193 × 29



|                           |                          |                          |                   |              |                |
|---------------------------|--------------------------|--------------------------|-------------------|--------------|----------------|
| x 48<br><br>a             | x 48<br><br>b            | x 4<br><br>c             | x 4<br><br>d      | x 5<br><br>e | x 4<br><br>f   |
| x 13<br>(3,5x16)<br><br>g | x 1<br>(120 mm)<br><br>h | x 2<br>(390 mm)<br><br>i | <br>Drill and bit |              | <br>60 min<br> |

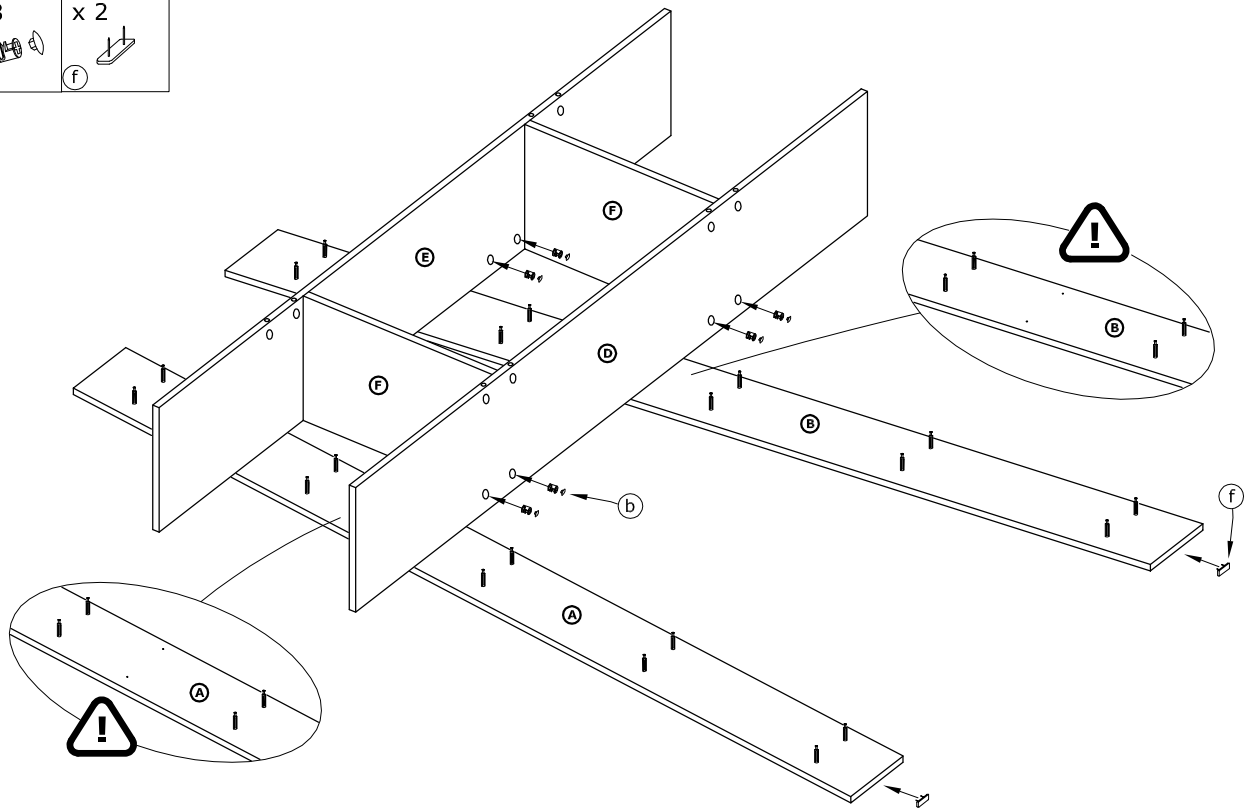
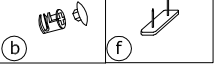
**1** - FAZY MONTAŻU      **A** - OZNACZENIE ELEMENTÓW      **a** - OZNACZENIE AKCESORIÓW



4

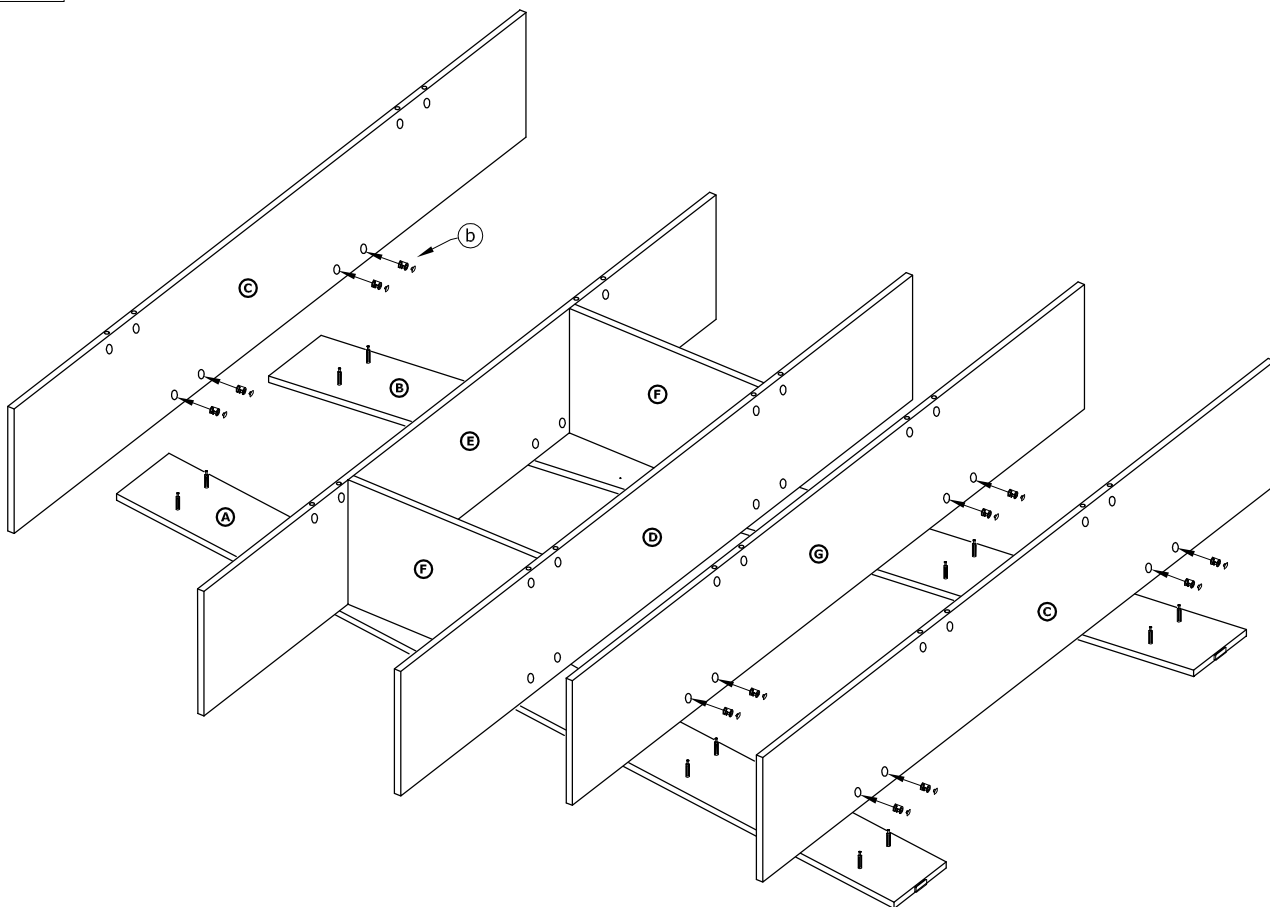
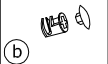
x 8

x 2



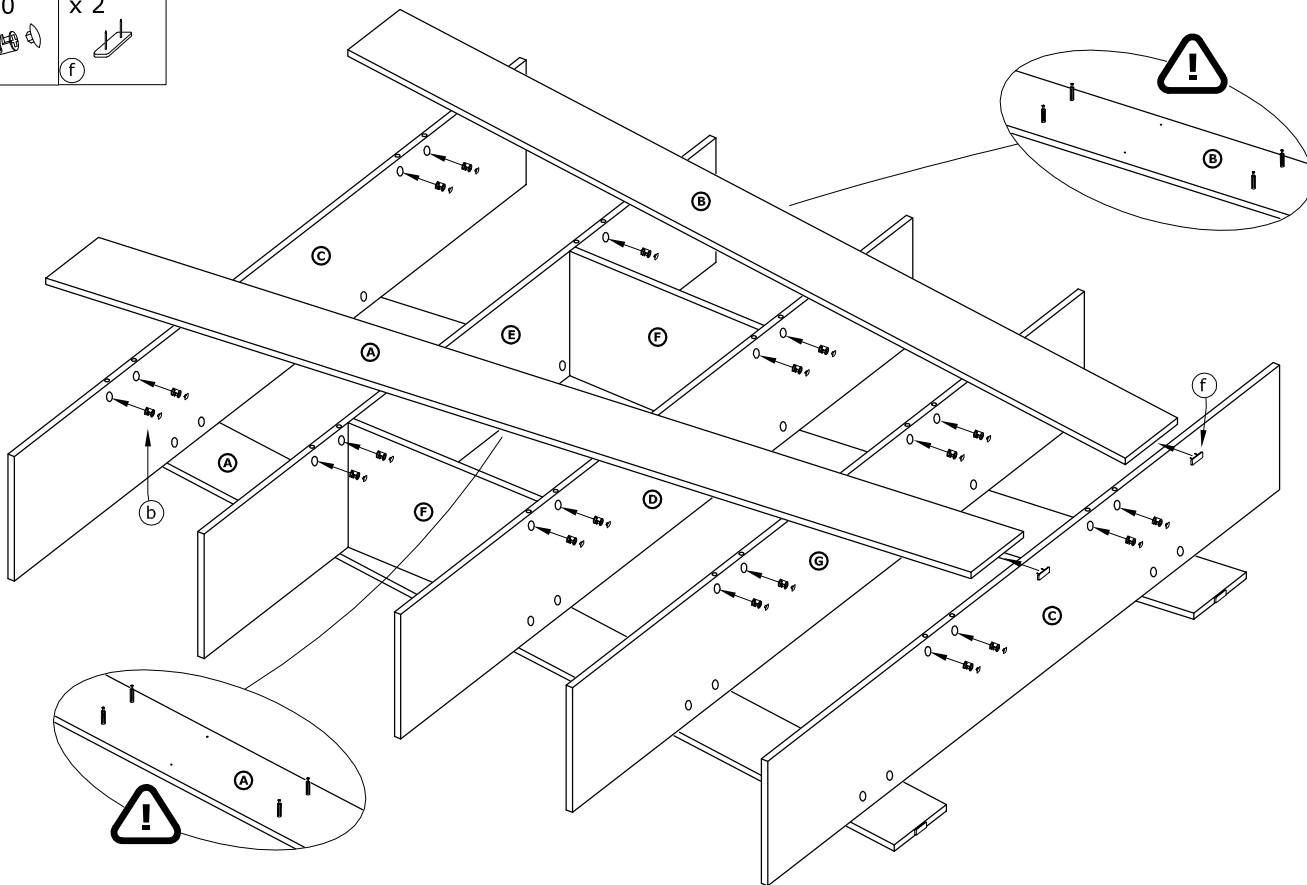
5

x 12



6

- |      |     |
|------|-----|
| x 20 | x 2 |
|      |     |



7

- |      |     |
|------|-----|
| x 4  | x 5 |
|      |     |
| x 13 | x 1 |
|      |     |
| x 2  |     |
|      |     |

