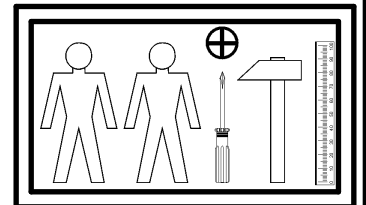
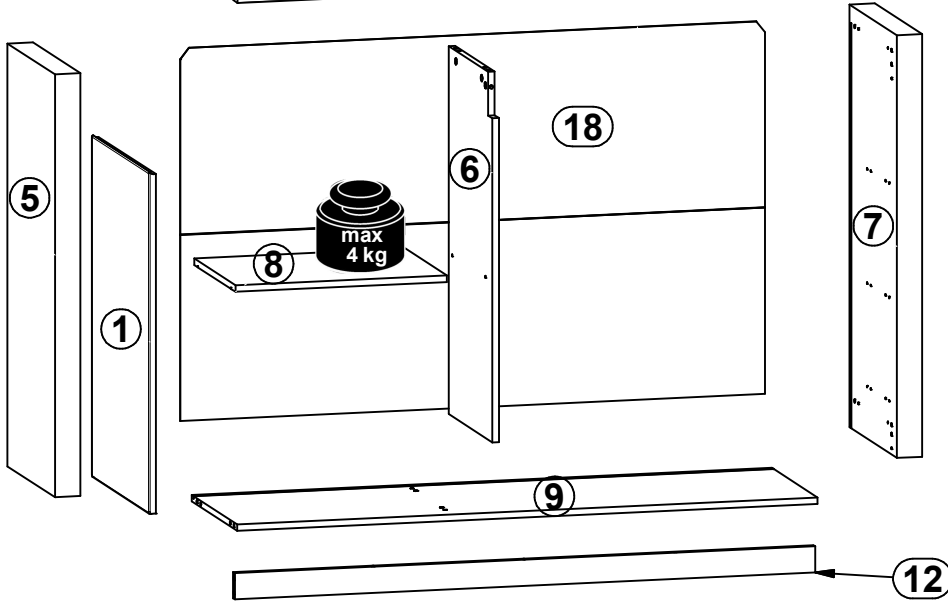
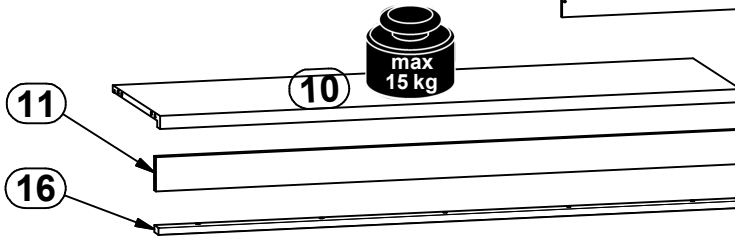
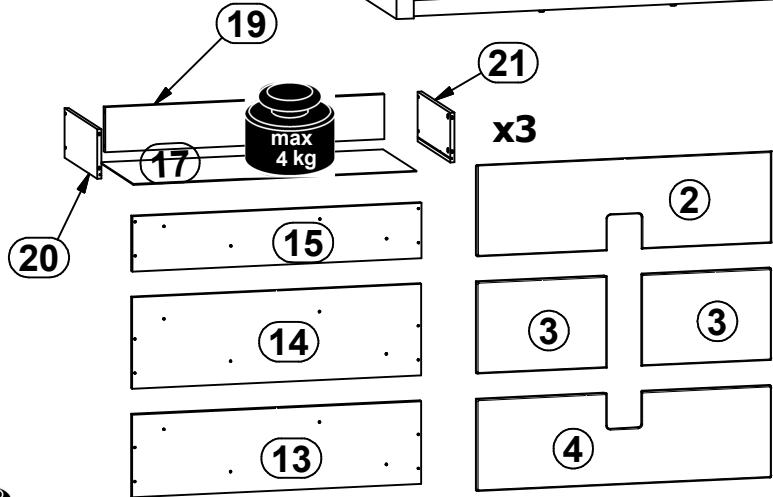
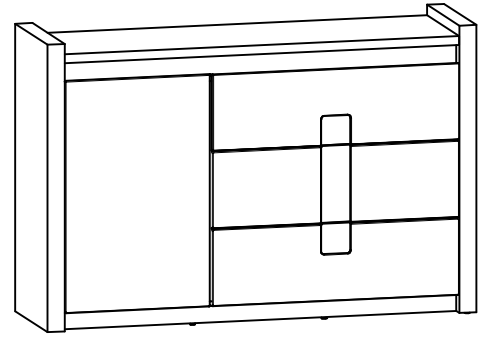
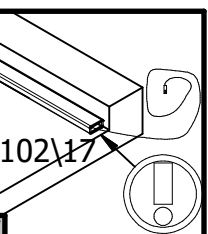
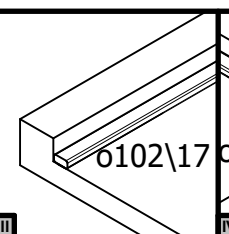
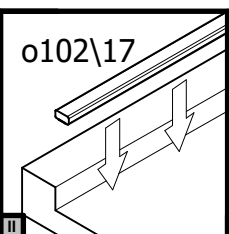
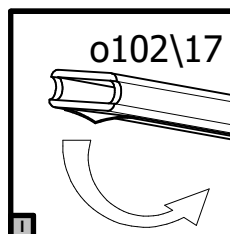
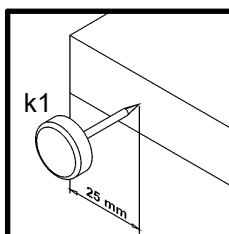
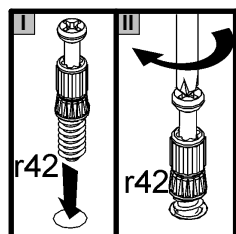
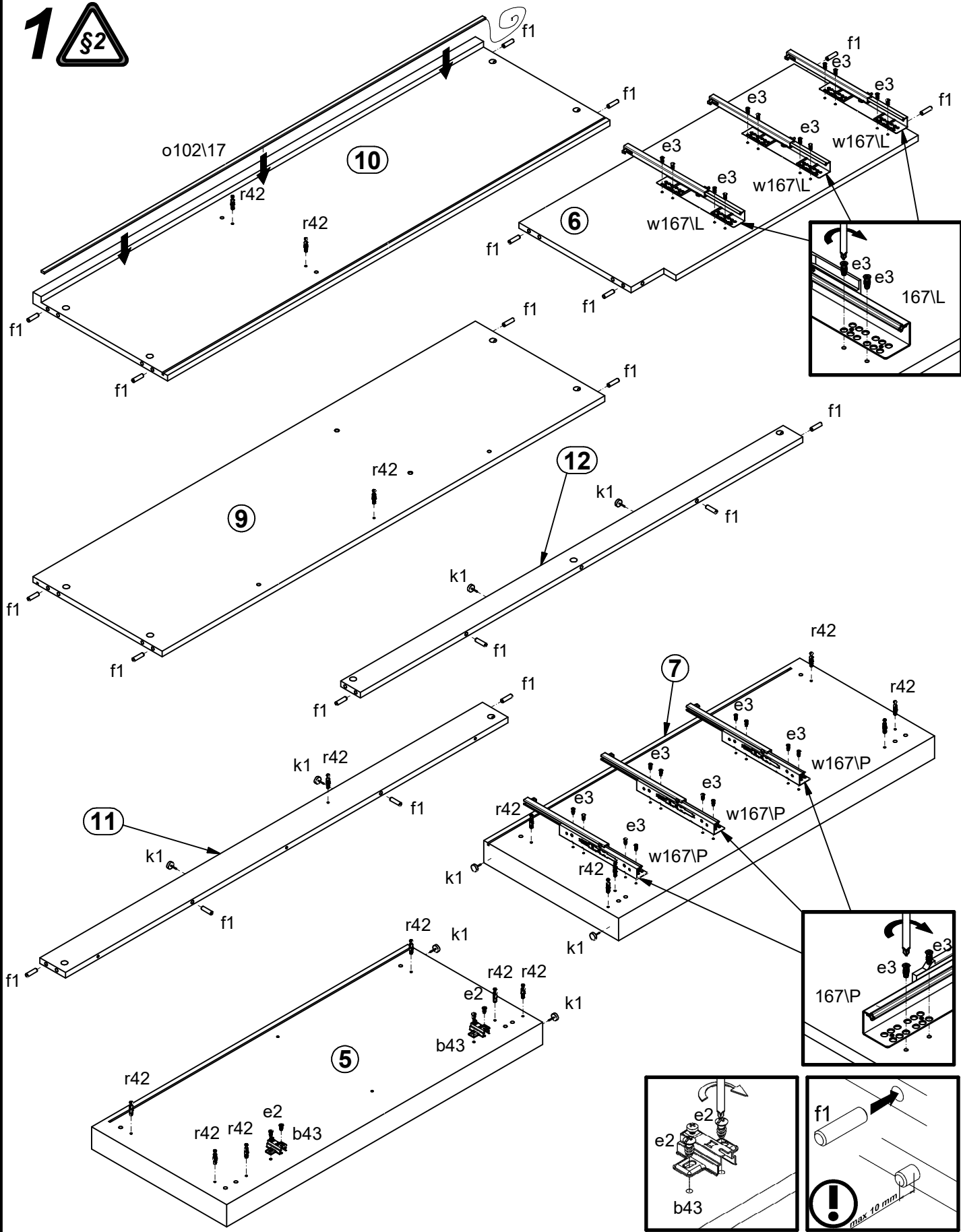


A	B	C	D	
1	S420-0001	780	496	3/3
2	S420-0014	846	258	3/3
3	S420-0016	373	258	3/3
4	S420-0017	846	258	3/3
5	S420-1001	965	412	1/3
6	S420-1003	840	379	2/3
7	S420-1015	965	412	1/3
8	S420-3002	492	359	2/3
9	S420-3016	1351	395	2/3
10	S420-3017	1351	411	2/3
11	S420-4028	1351	78	2/3
12	S420-4030	1351	60	2/3
13	S420-4031	831	233	3/3
14	S420-4032	831	258	3/3
15	S420-4033	831	156	3/3
16	S420-5010	1351	37	2/3
17	S420-9011	813	355	3/3
18	S420-9304	1361	851	2/3
19	ZQ6-5026	803	127	3/3
20	ZQ6-511	350	140	3/3
21	ZQ6-512	350	140	3/3



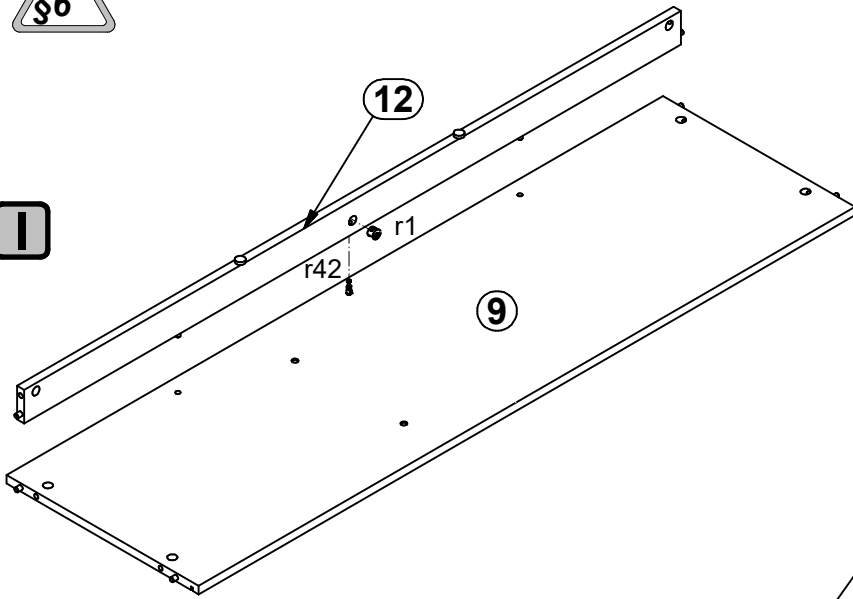
1x  a133	2x  a160	2x  b43	4x  d1	5x  e1	4x  e2	24x  e3	20x  f1	12x  f25
8x  k1	10x  l2	1x  o70i9	1x  o83i4	1x  o102i17	12x  p8	3x  p25	3x  p35	12x  p38
4x  p51	10x  p55	16x  r1	12x  r15	28x  r42	3x  t35	3x  w167L	3x  w167IP	
3x  s1	1x  z1					1x  n26	1x  p38	

1 



2 

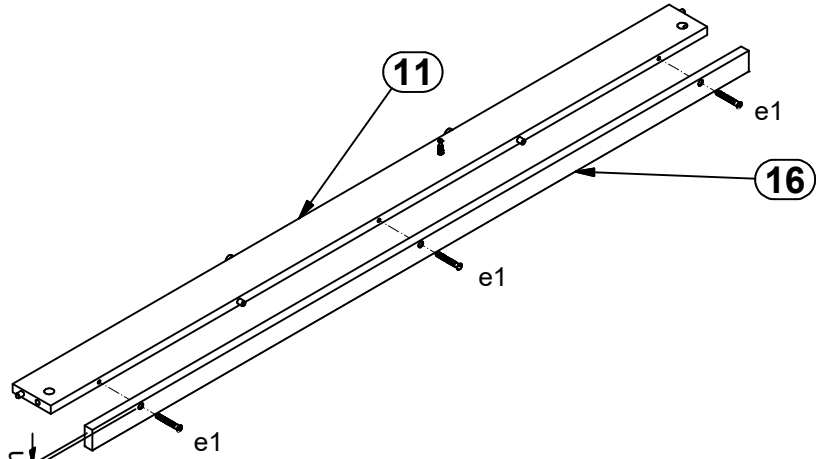
I



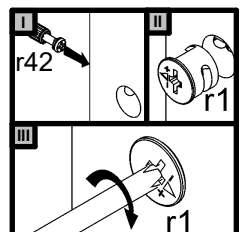
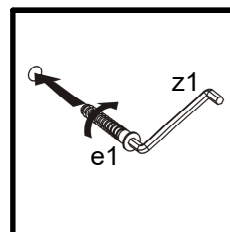
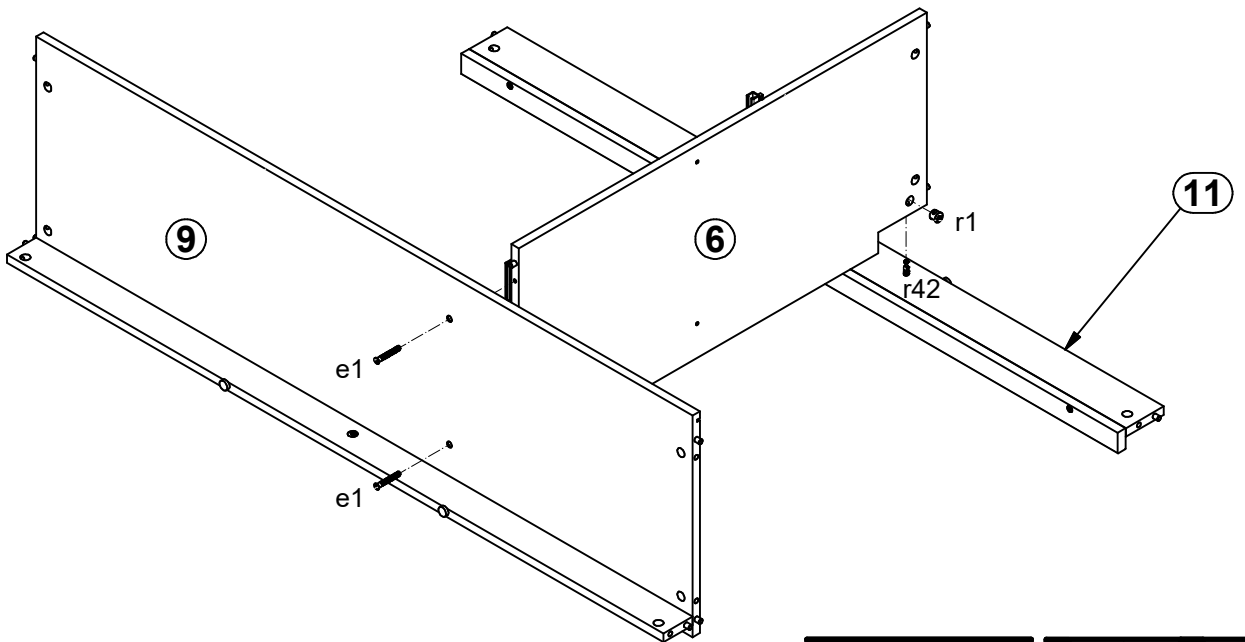
III



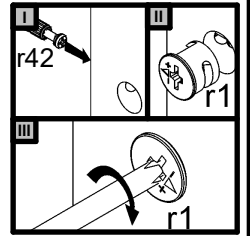
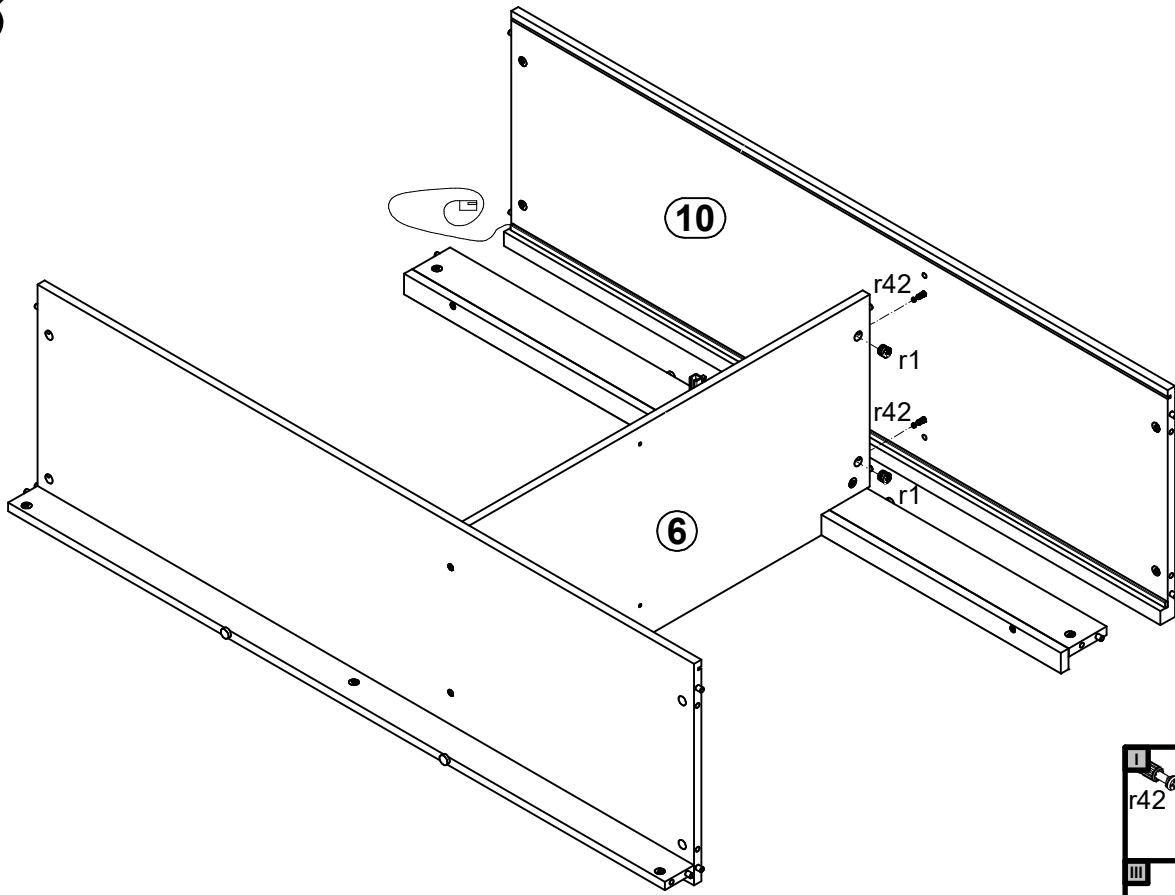
7 mm



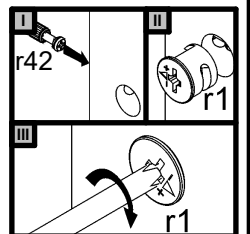
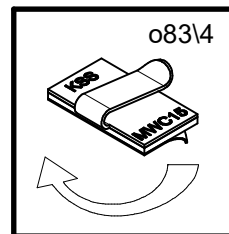
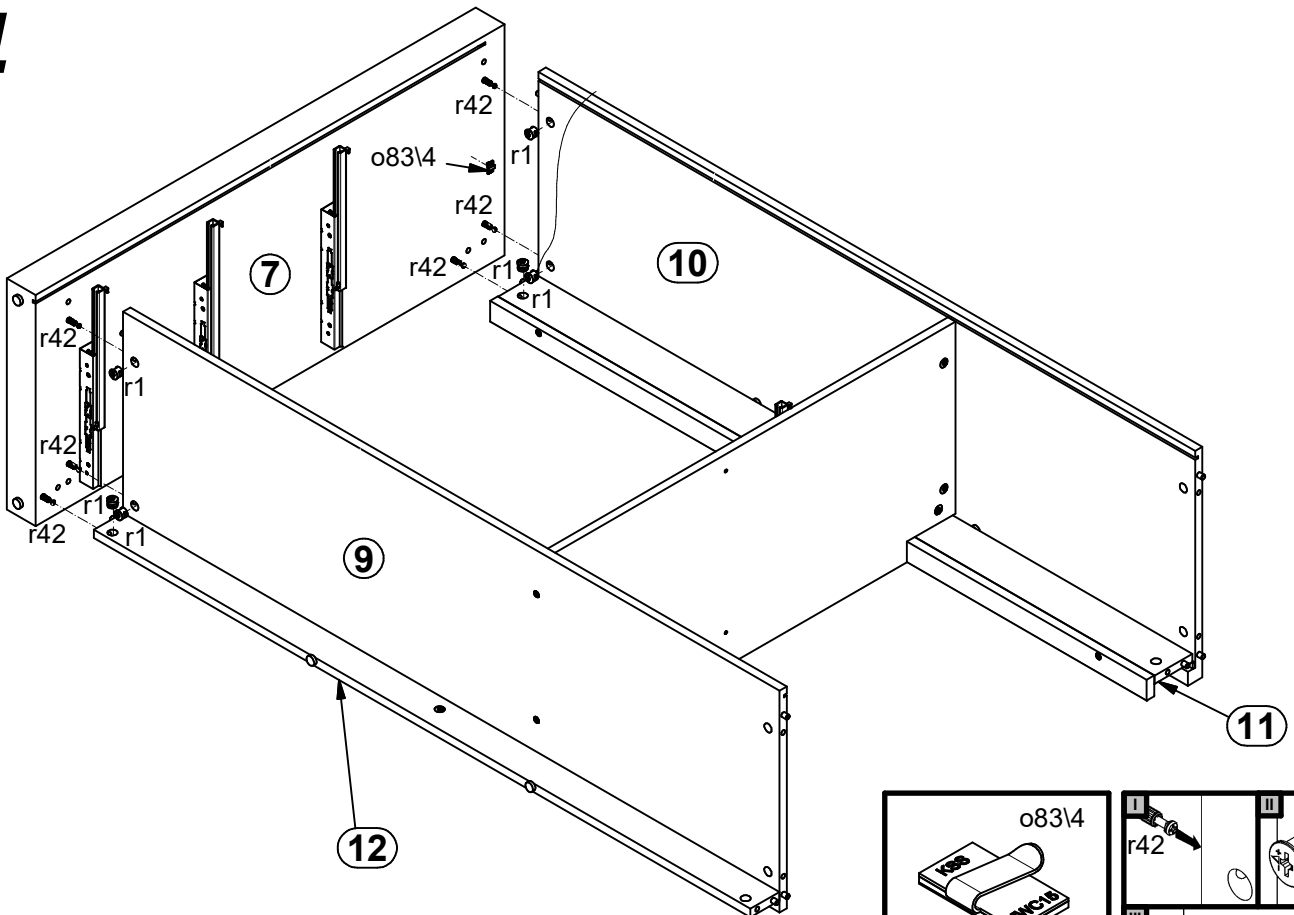
III



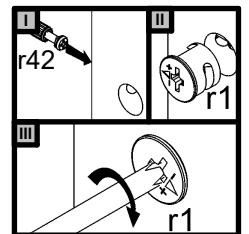
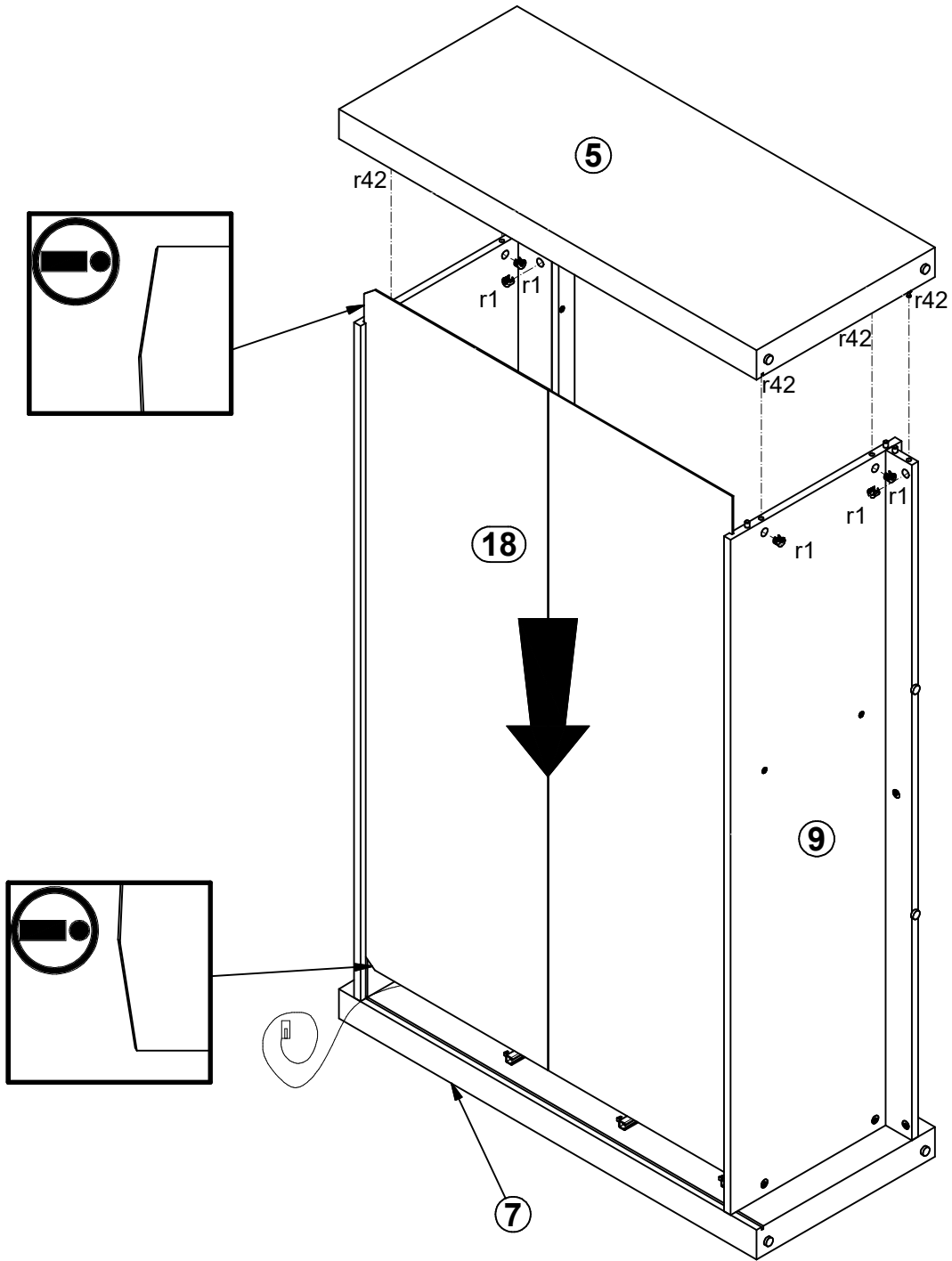
# 3



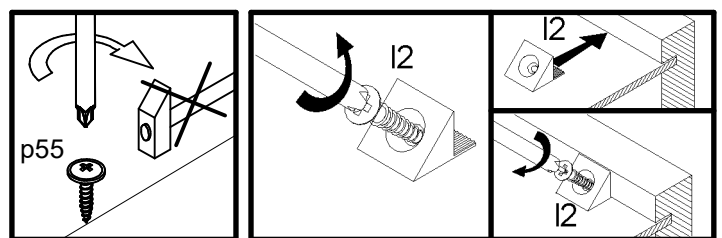
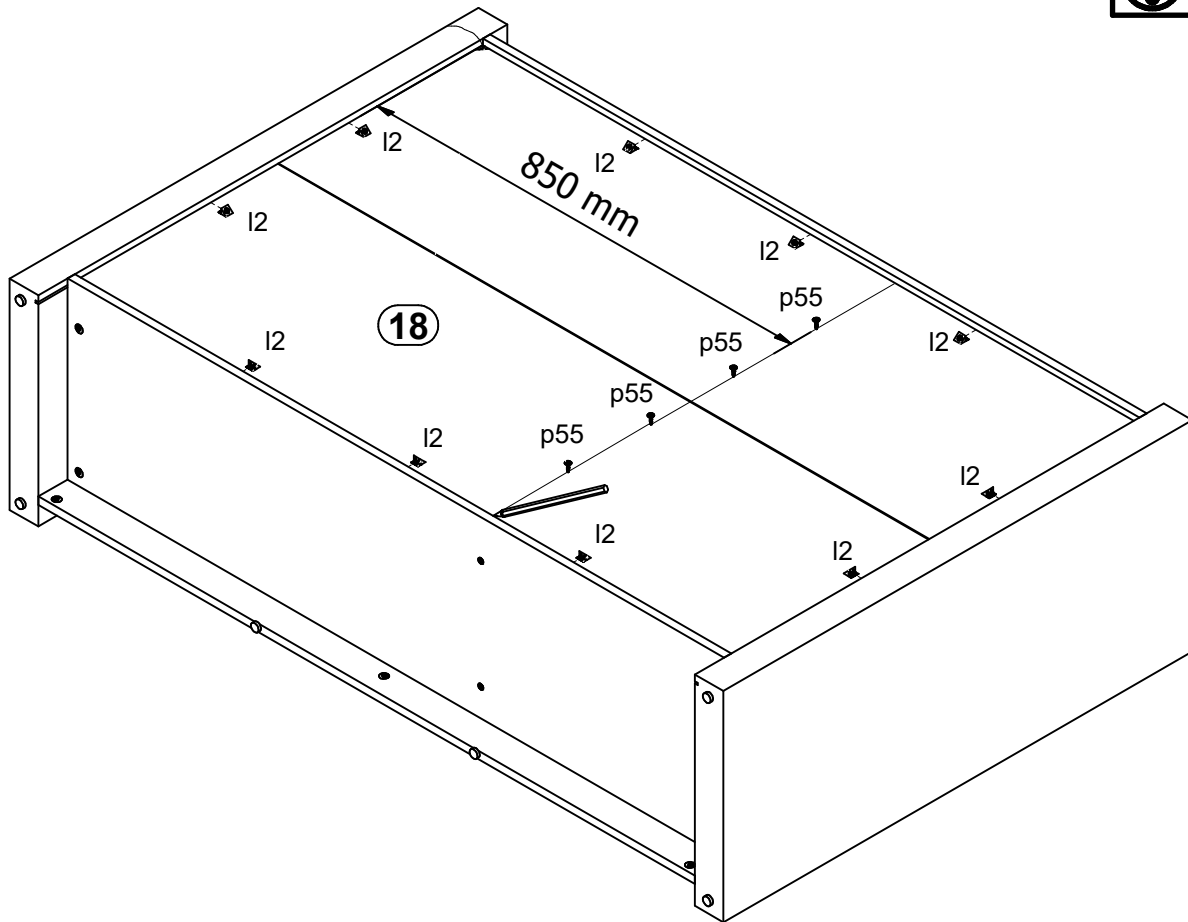
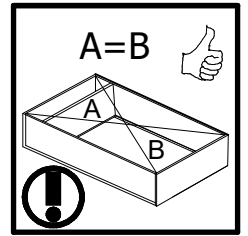
# 4



# 5

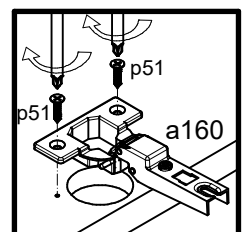
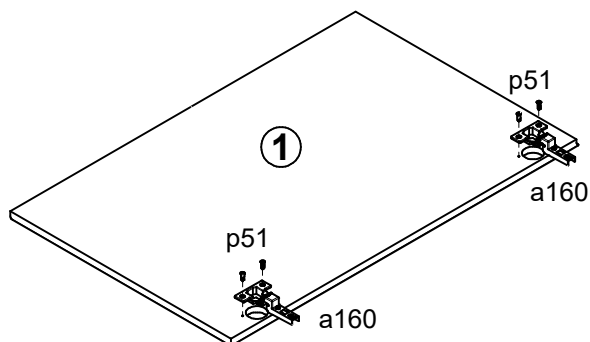


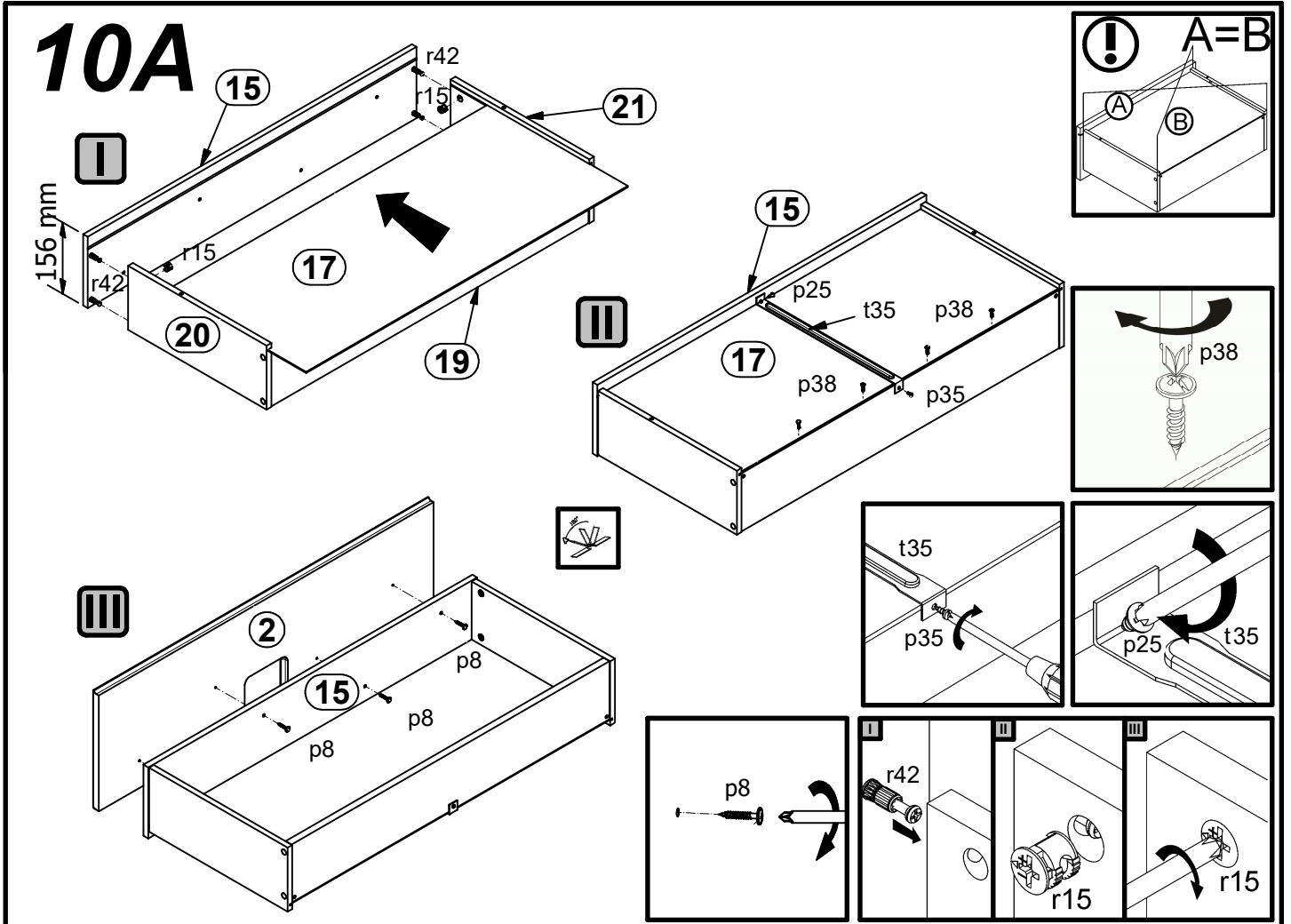
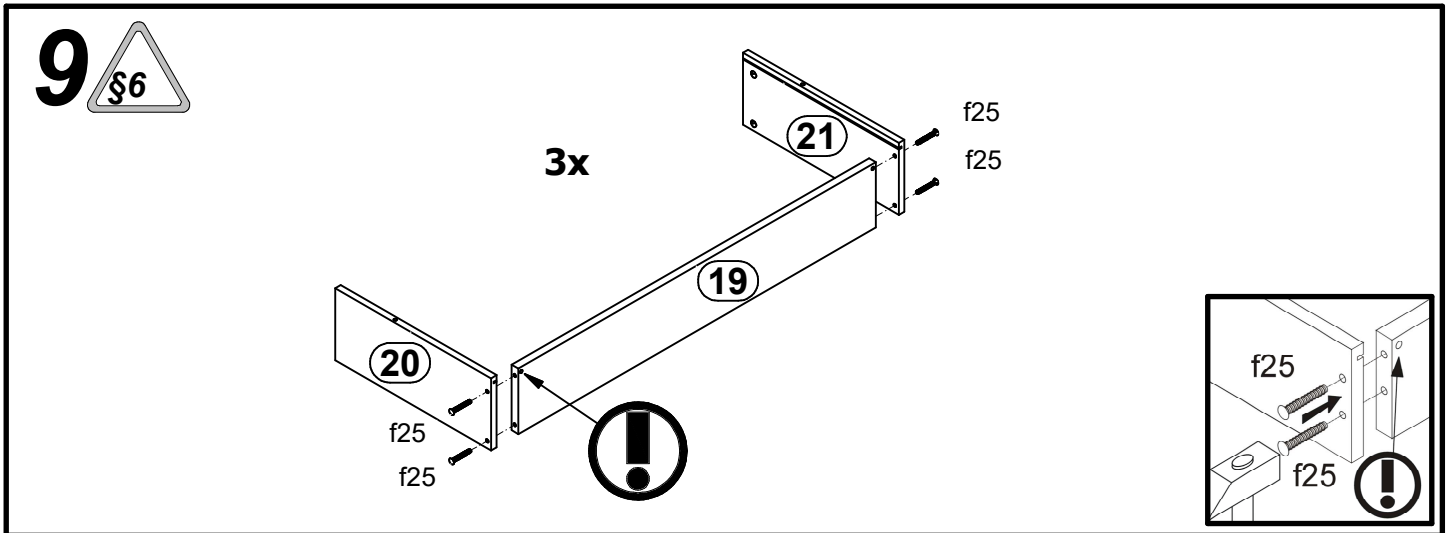
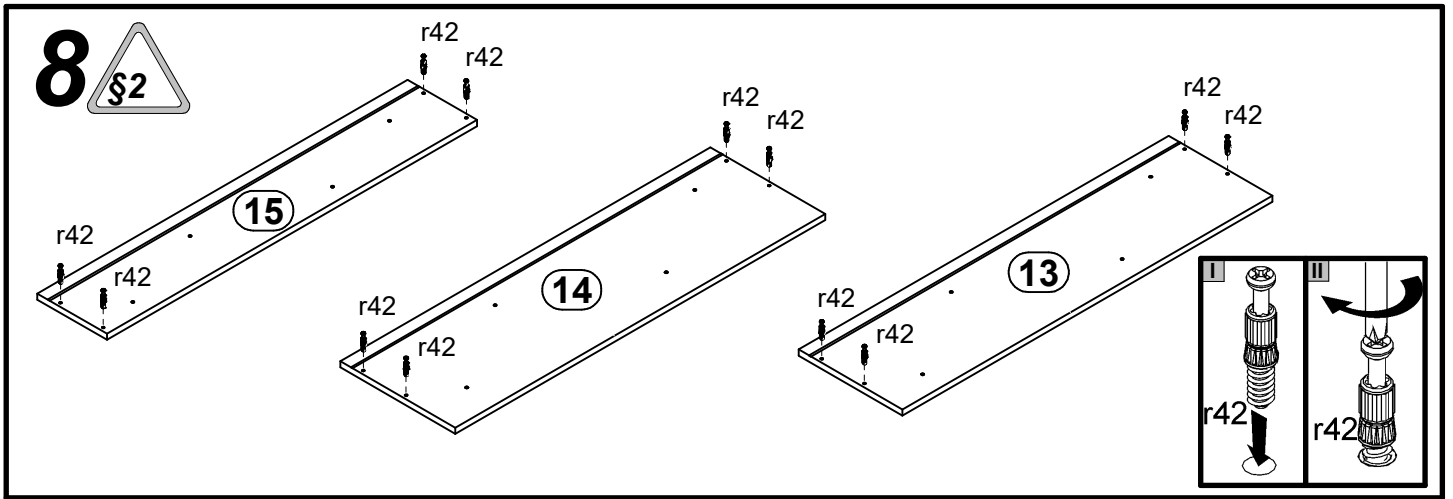
# 6



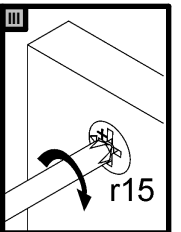
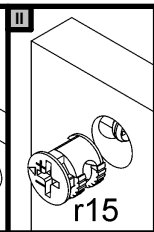
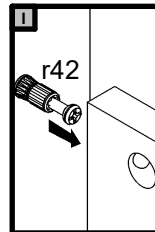
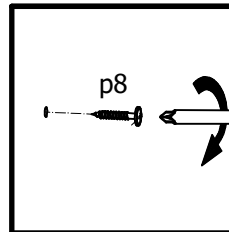
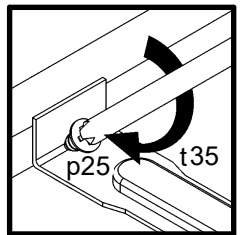
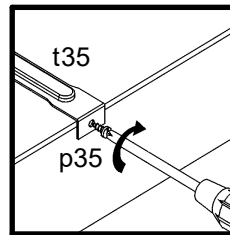
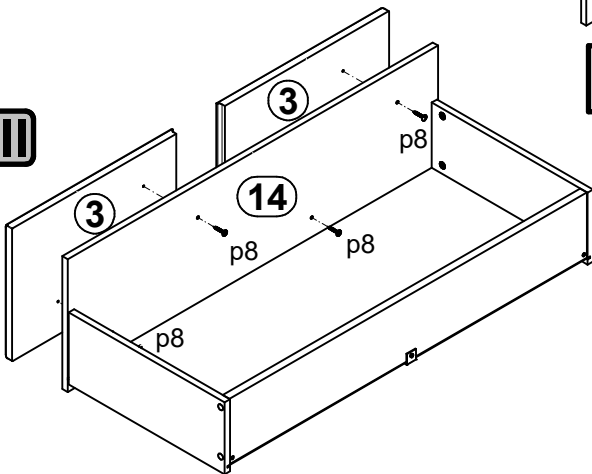
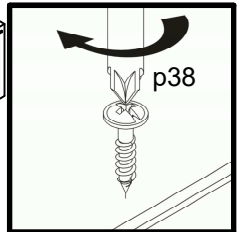
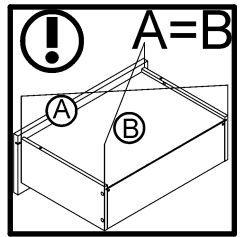
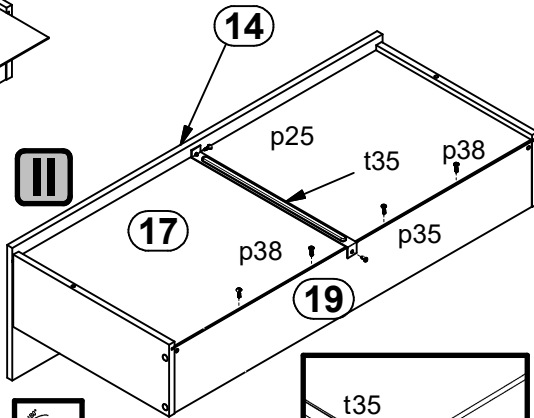
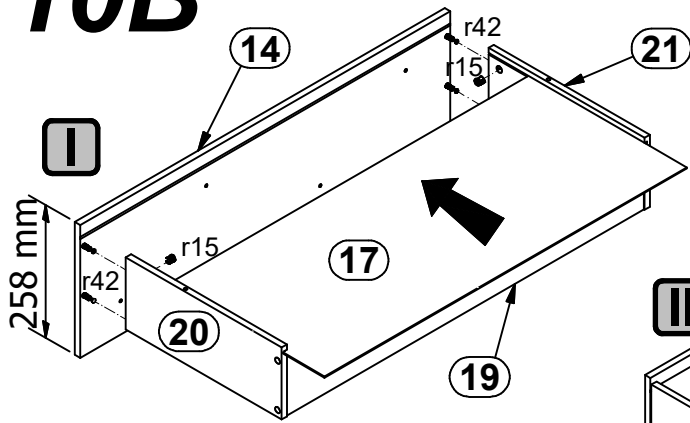
# 7

§2

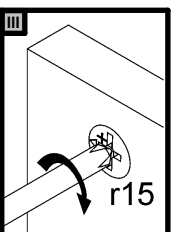
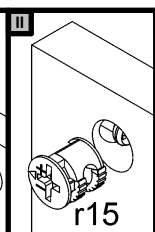
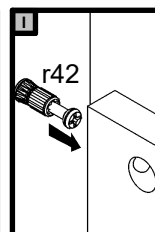
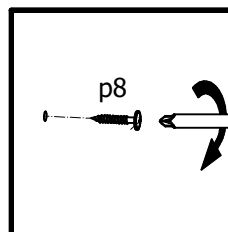
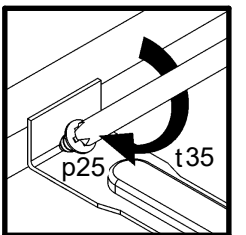
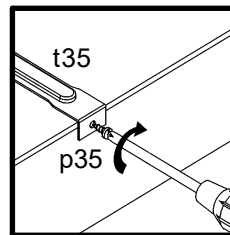
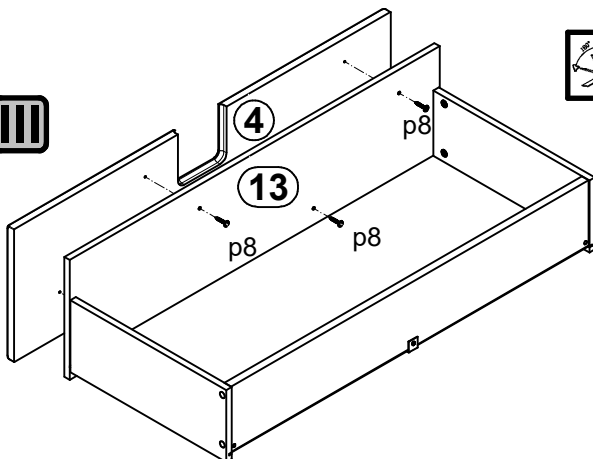
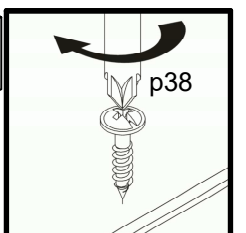
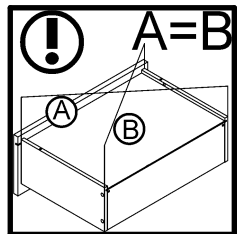
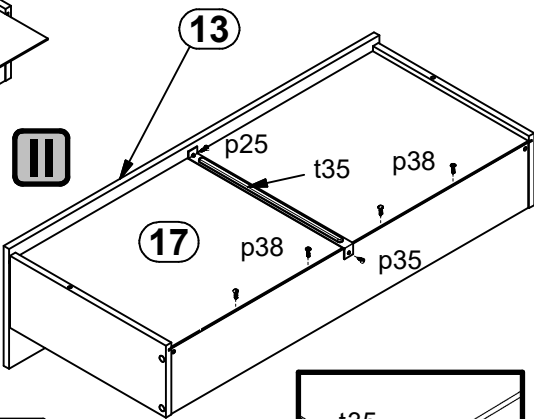
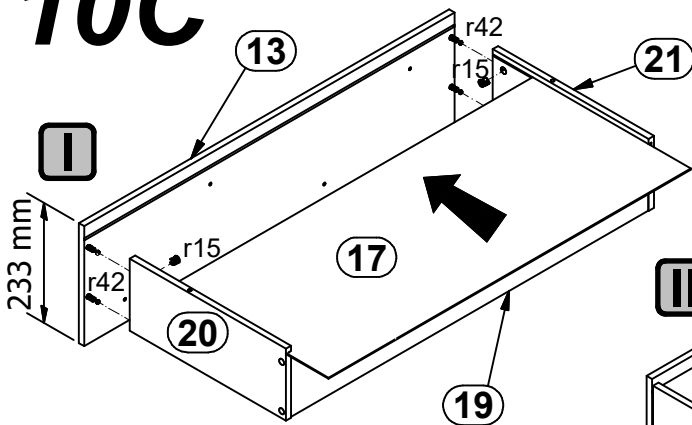




# 10B



# 10C





# 11

