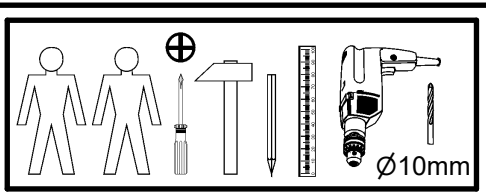
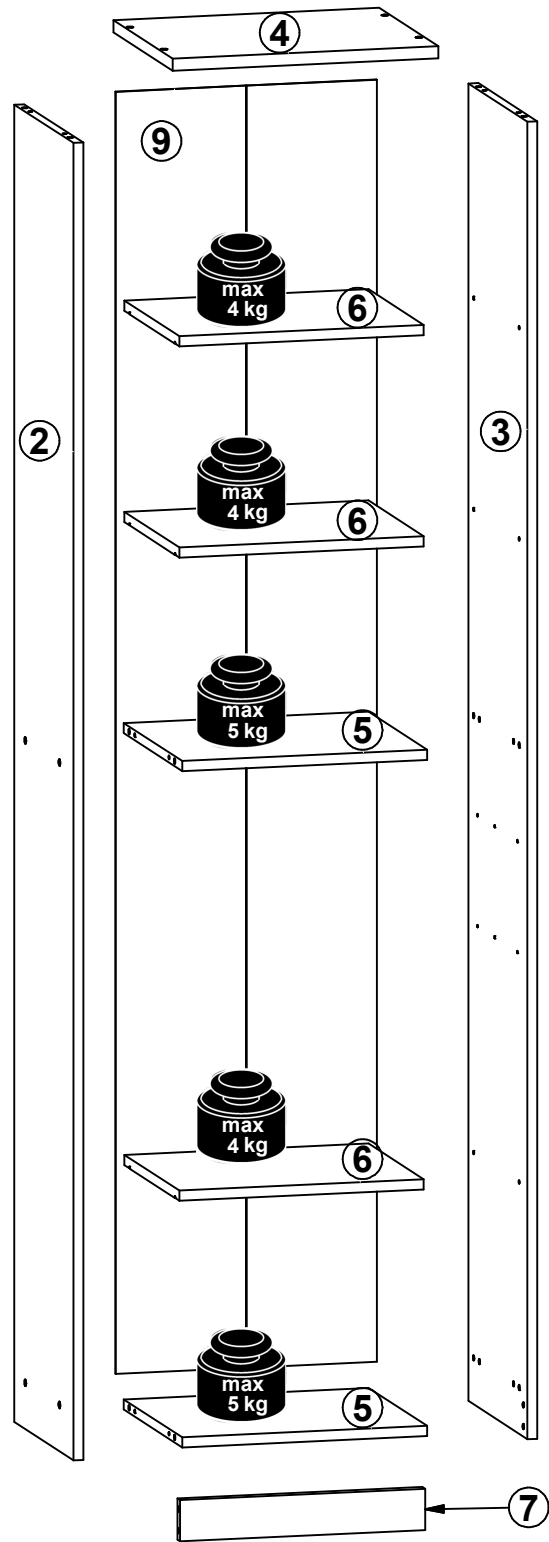
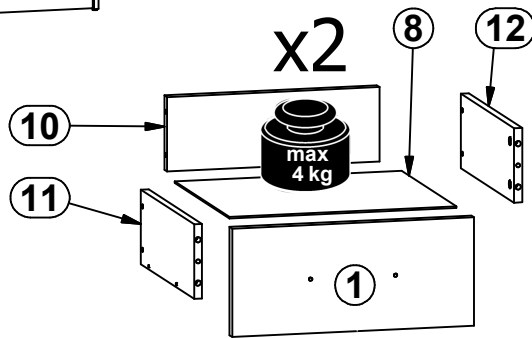
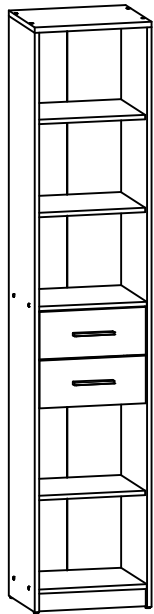


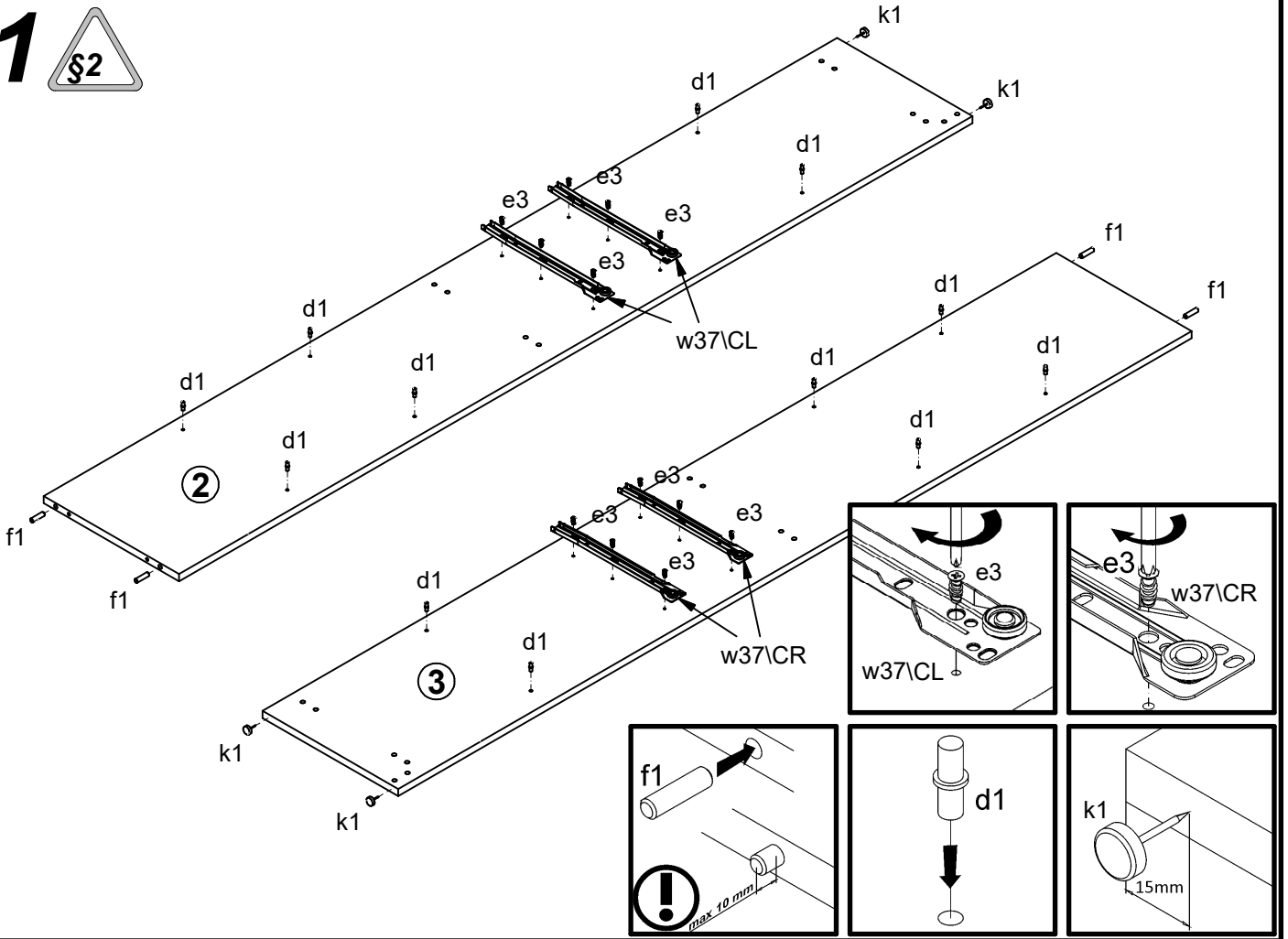
A

A	B	C	D	
1	S435-0009	364	160	2/2
2	S435-1017	1946	332	1/2
3	S435-1018	1946	332	1/2
4	S435-2006	400	333	1/2
5	S435-3012	369	329	1/2
6	S435-3013	368	310	1/2
7	S435-4008	369	61	1/2
8	S435-9005	342	307	1/2
9	S435-9306	1894,	393	1/2
10	ZS7-5007	320	110	1/2
11	S435-5053	300	110	1/2
12	S435-5054	300	110	1/2

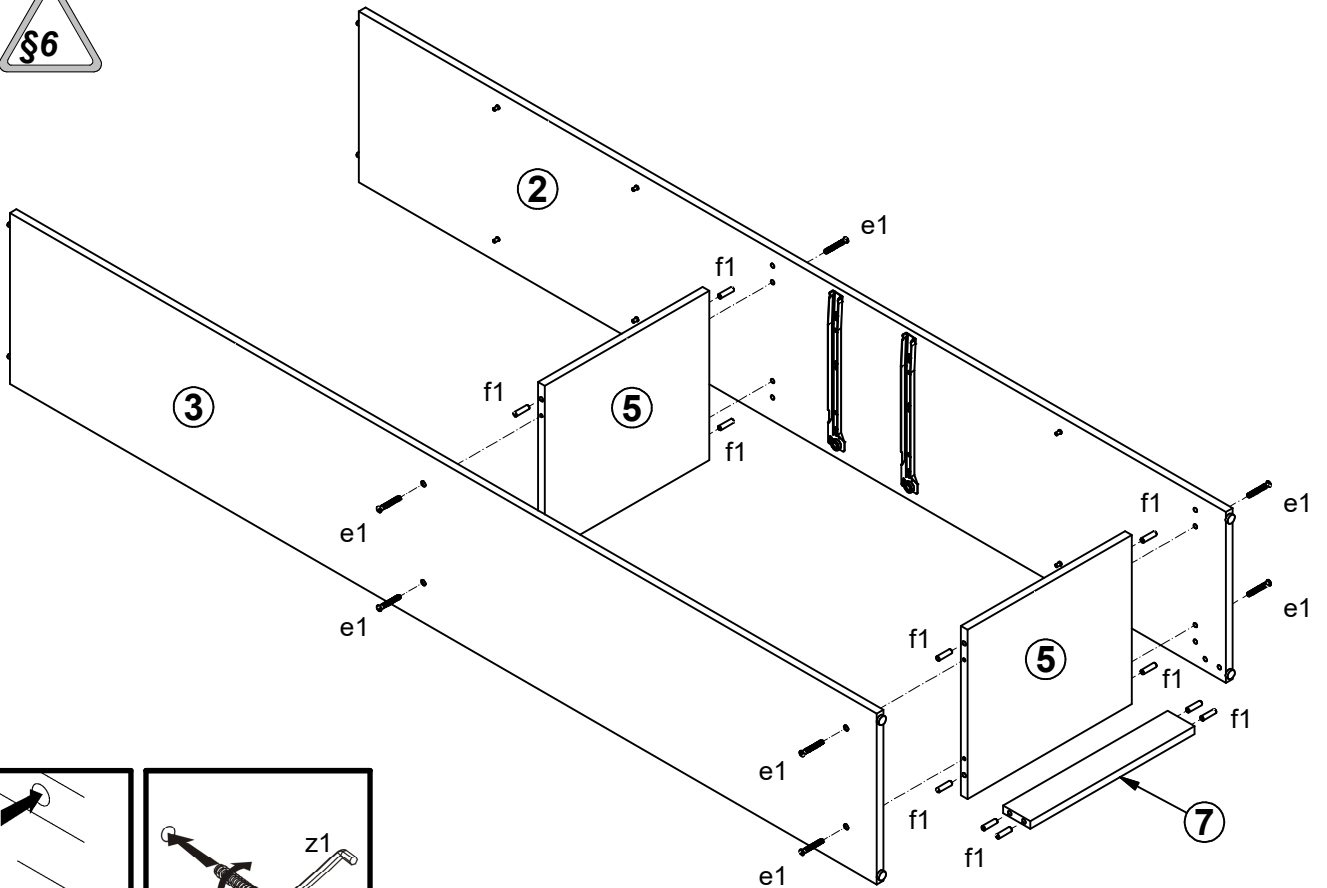


2x 128 mm c310	12x Ø5x17 mm d1	12x Ø7x50 mm e1	12x Ø6x13 mm e3	8x Ø5x9 mm e19	16x Ø8x30 mm f1	4x Ø6x30 mm f9	8x Ø6.5x40 mm f25	4x k1
55x 1.4x20 mm l1	6x Ø3.5x16 mm p38	4x Ø4x25 mm p87	8x Ø12x10.5 mm #12 r15	8x 20/11 r42	2x 300 mm w37 CL	2x 300 mm w37 CR	2x 300 mm w37 DL	2x 300 mm w37 DR
8x s1	1x 4 mm z1							
							1x n26 1	1x Ø3.5x16 mm p38

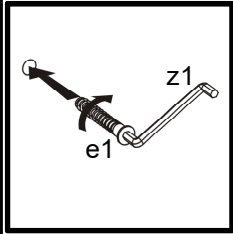
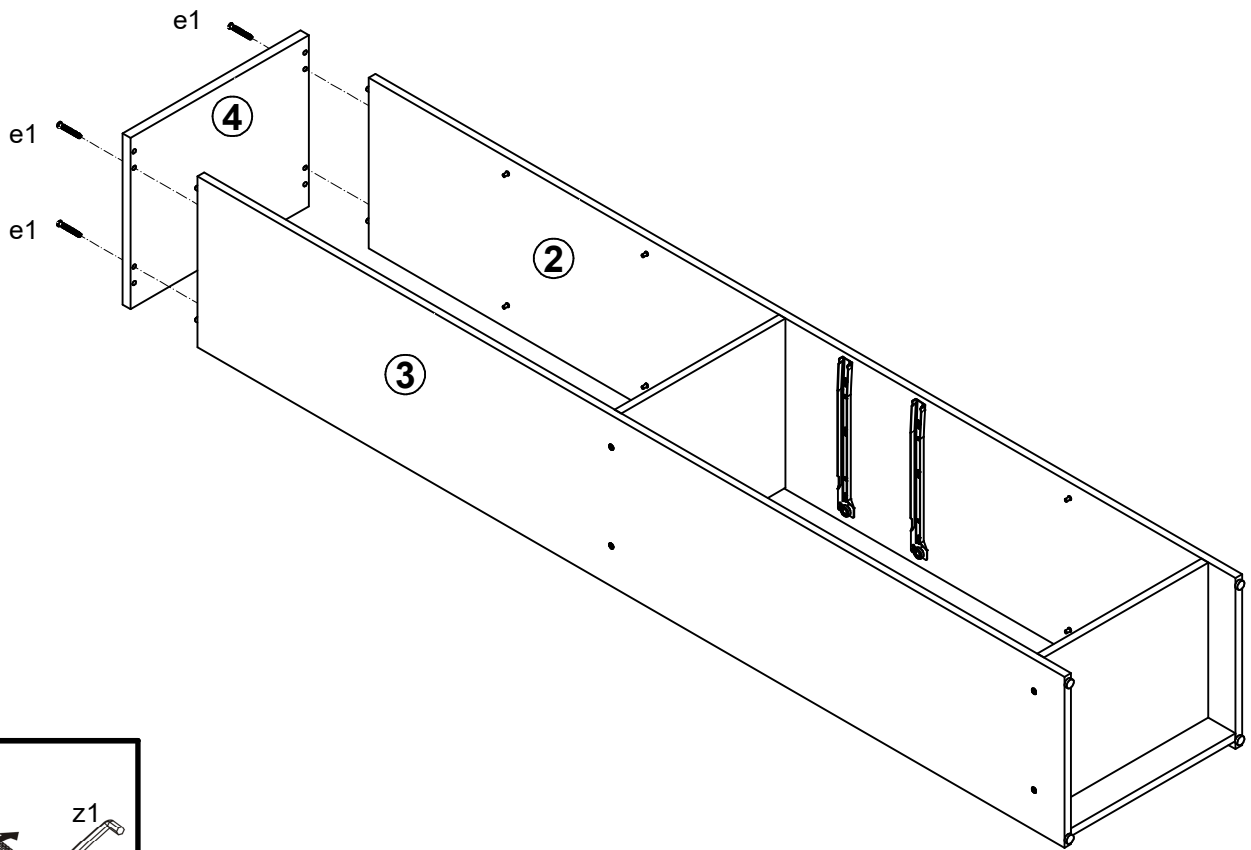
1



2



3



4

