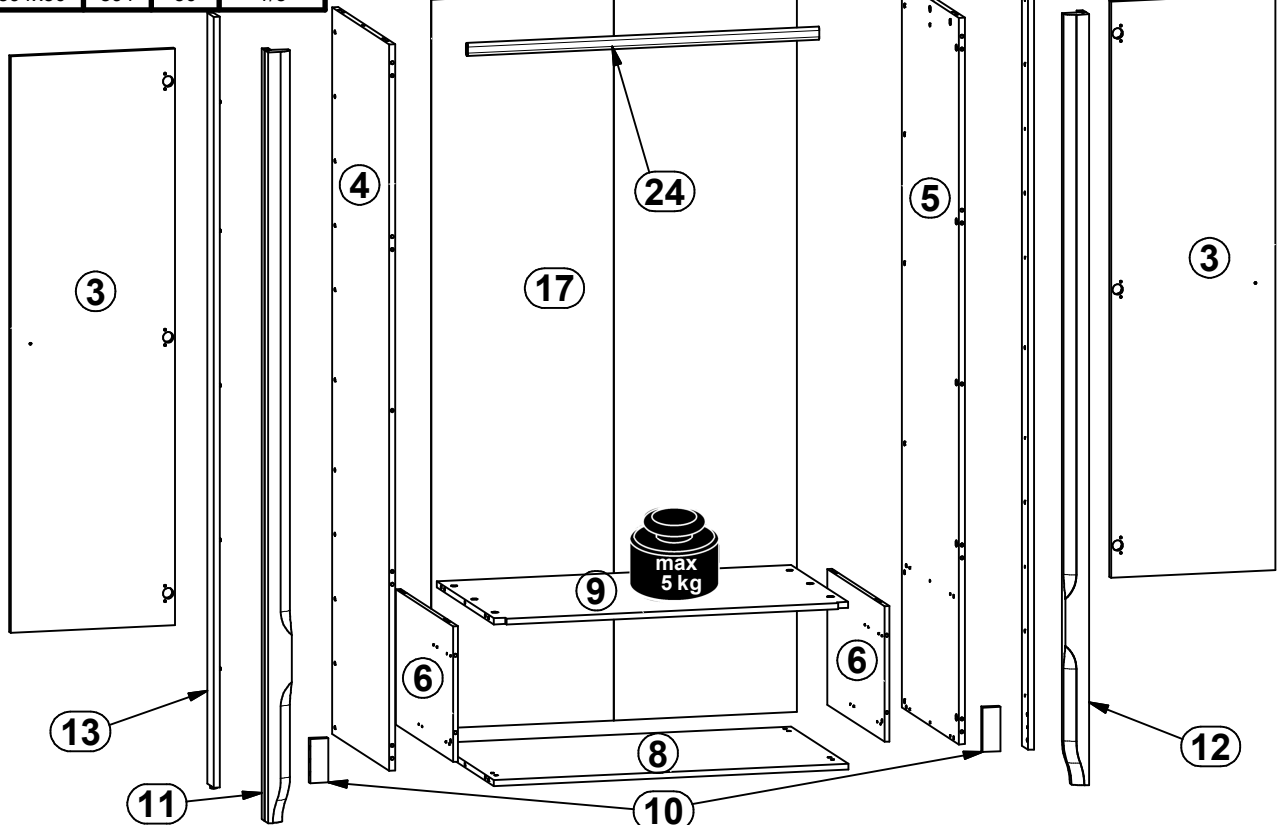
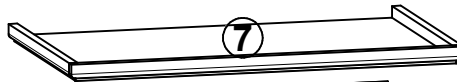
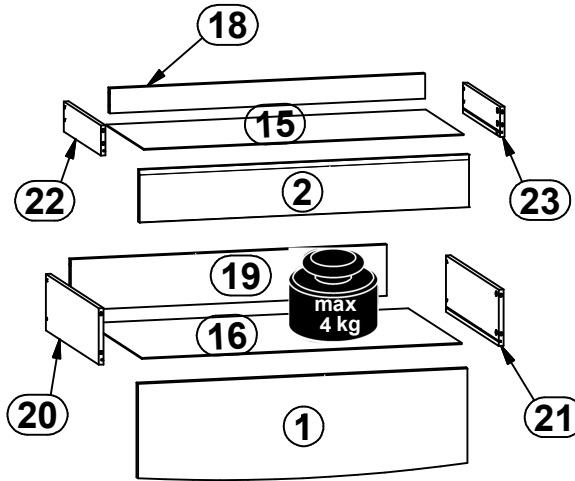
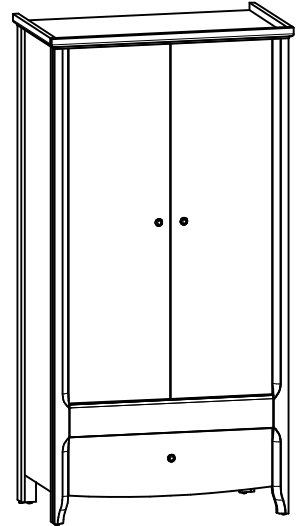
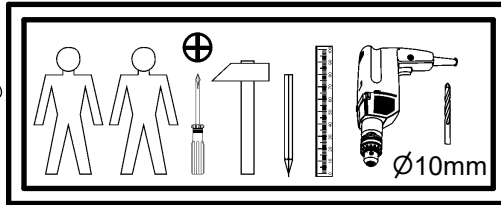
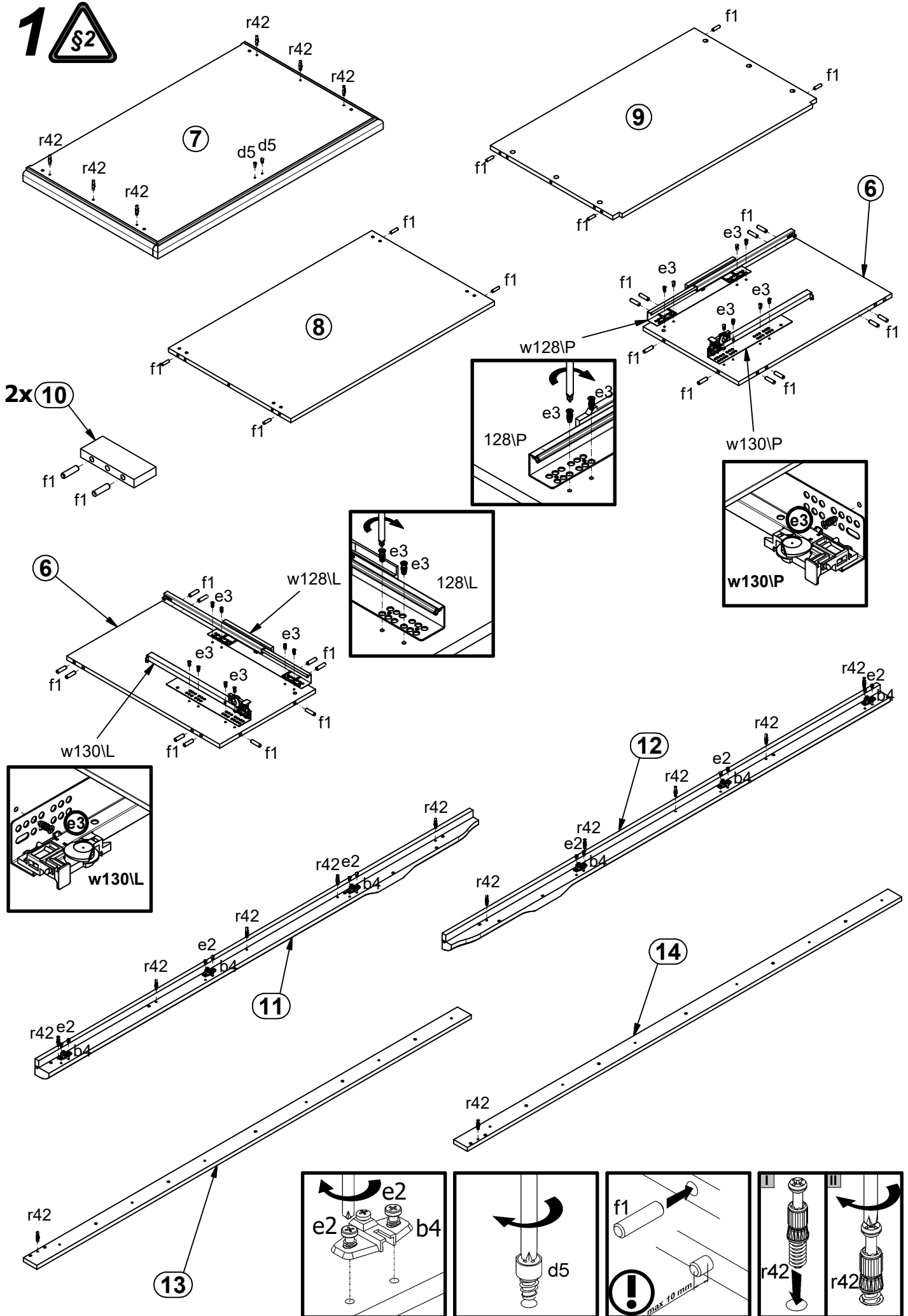


A	B	C	D	
1	S423-0001	835	254	1/3
2	S423-0005	835	130	1/3
3	S423-0008	1432	416	2/3
4	S423-1008	1805	540	2/3
5	S423-1009	1805	540	2/3
6	S423-1010	337	540	1/3
7	S423-2003	994	595	1/3
8	S423-3004	898	540	1/3
9	S423-3005	898	552	1/3
10	S423-5003	110	45	1/3
11	S423-5017	1915	60	3/3
12	S423-5018	1915	60	3/3
13	S423-5019	1915	60	3/3
14	S423-5020	1915	60	3/3
15	S423-9001	810	357	1/3
16	S423-9002	810	507	1/3
17	S423-9303	1812	926	2/3
18	ZQ6-5005	799	62	1/3
19	ZQ6-5006	801	127	1/3
20	ZQ6-515	500	140	1/3
21	ZQ6-516	500	140	1/3
22	ZQ7-507	350	75	1/3
23	ZQ7-508	350	75	1/3
24	dr-891x30	891	30	1/3

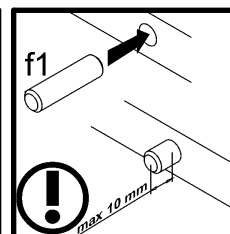
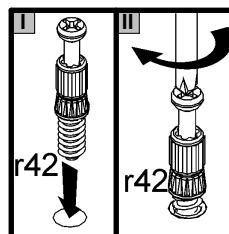
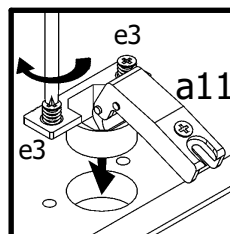
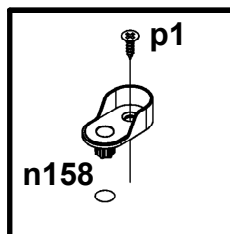
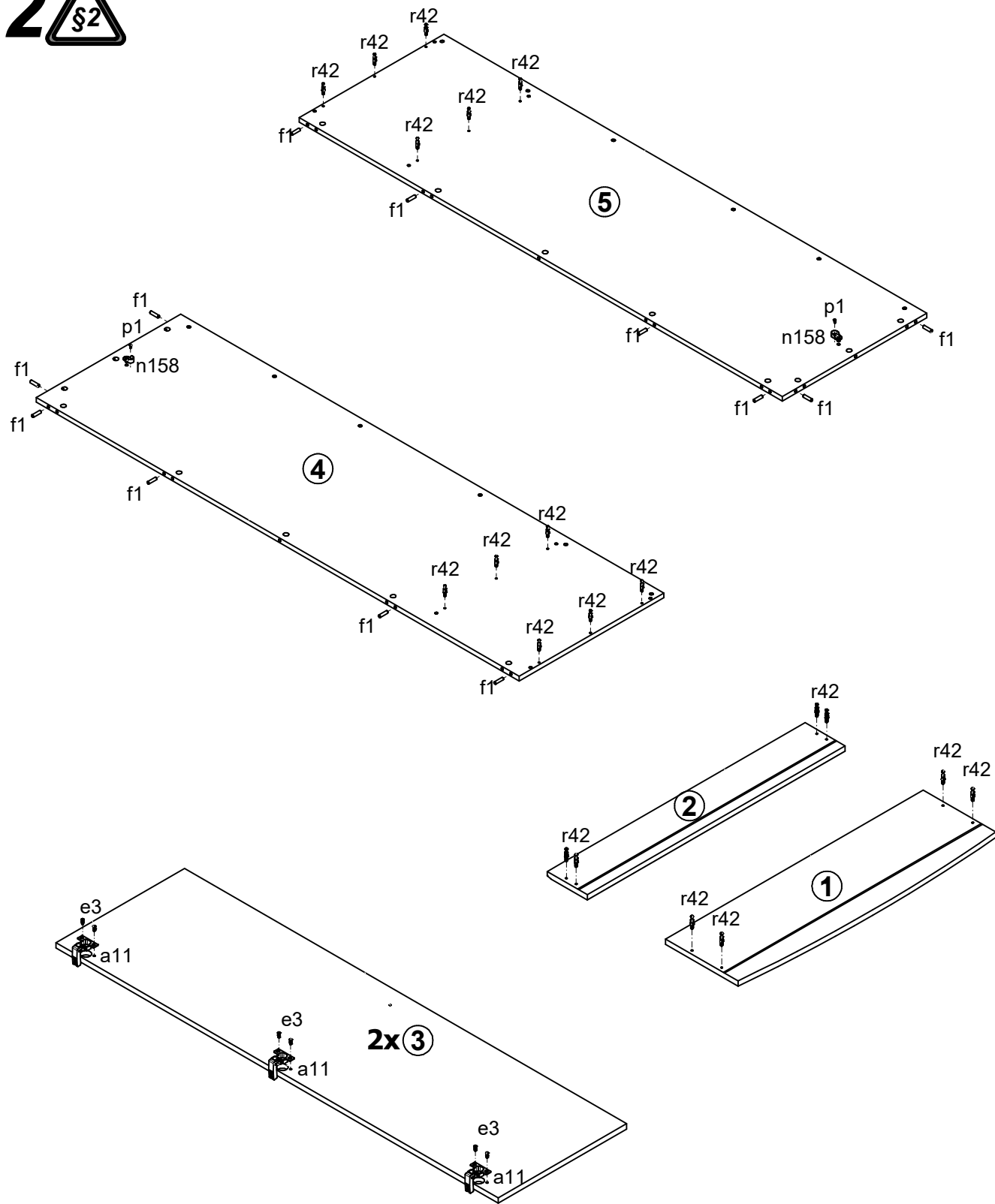


6x  a11	6x  b4	3x  c415	2x  d5	12x  e2	12x  e22	28x  e3	44x  f1	10x  f13
8x  f25	3x  j1	6x  k1	65x  l1	2x  n158	2x  p1	2x  p25	2x  p35	12x  p38
2x  p55	30x  r1	8x  r15	38x  r42	1x  t34	1x  t35	1x  w128/L	1x  w128/P	1x  w130/L
1x  w130/P	8x  s59	20x  s68	1x  z1	1x  n26	1x  p38			

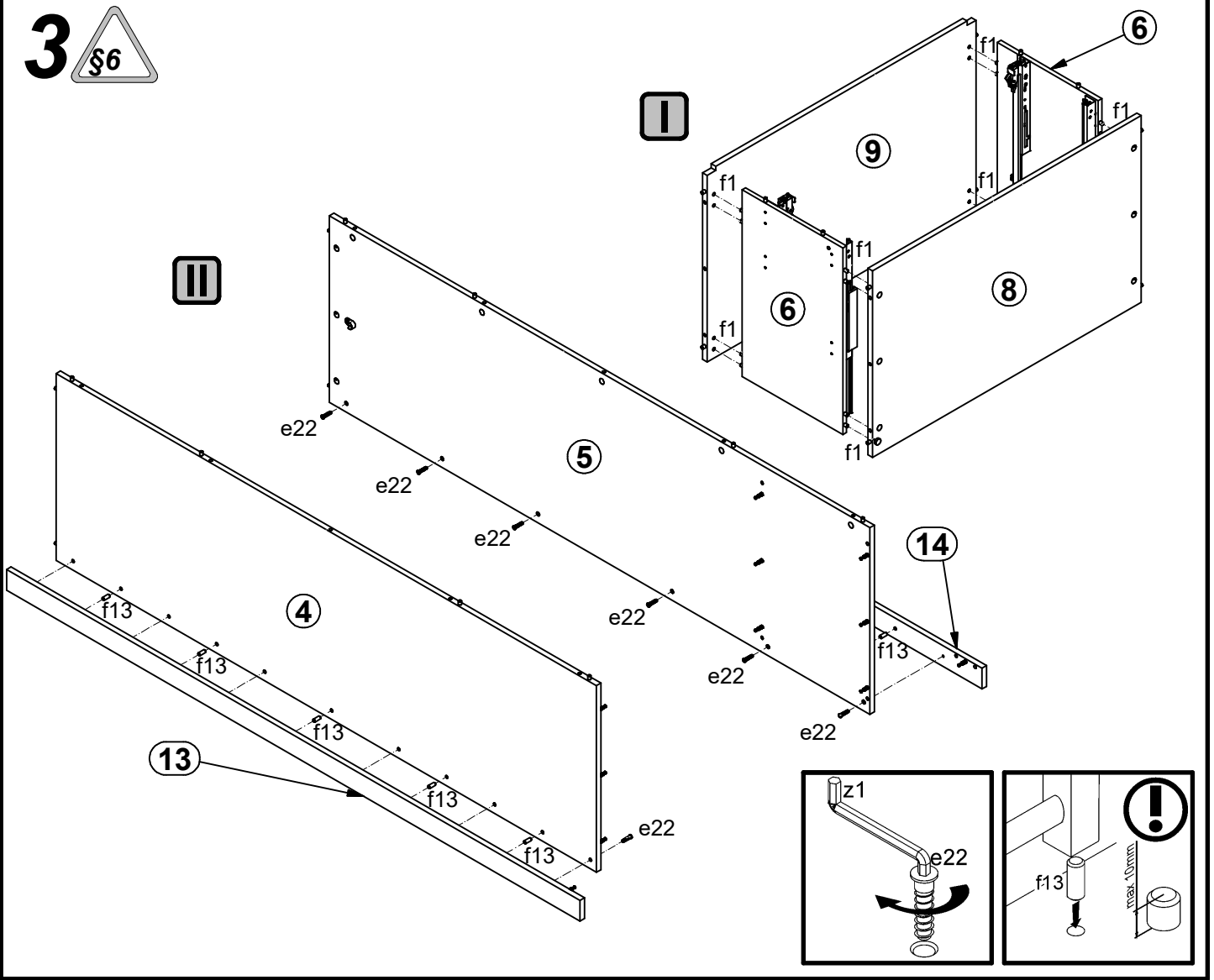
1 



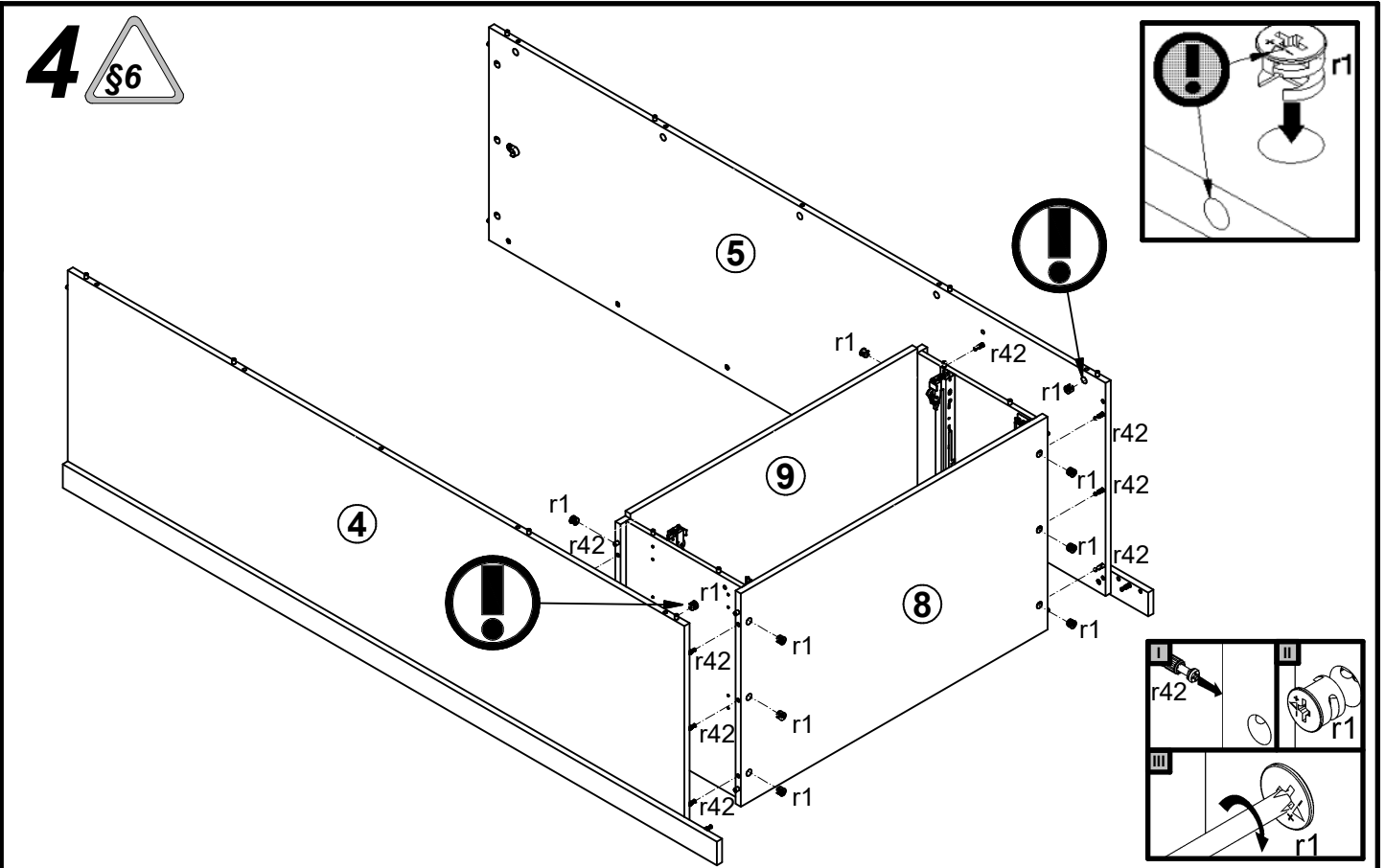
**2** 



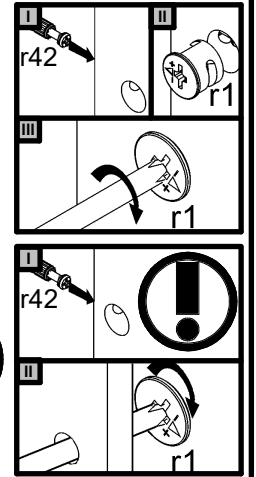
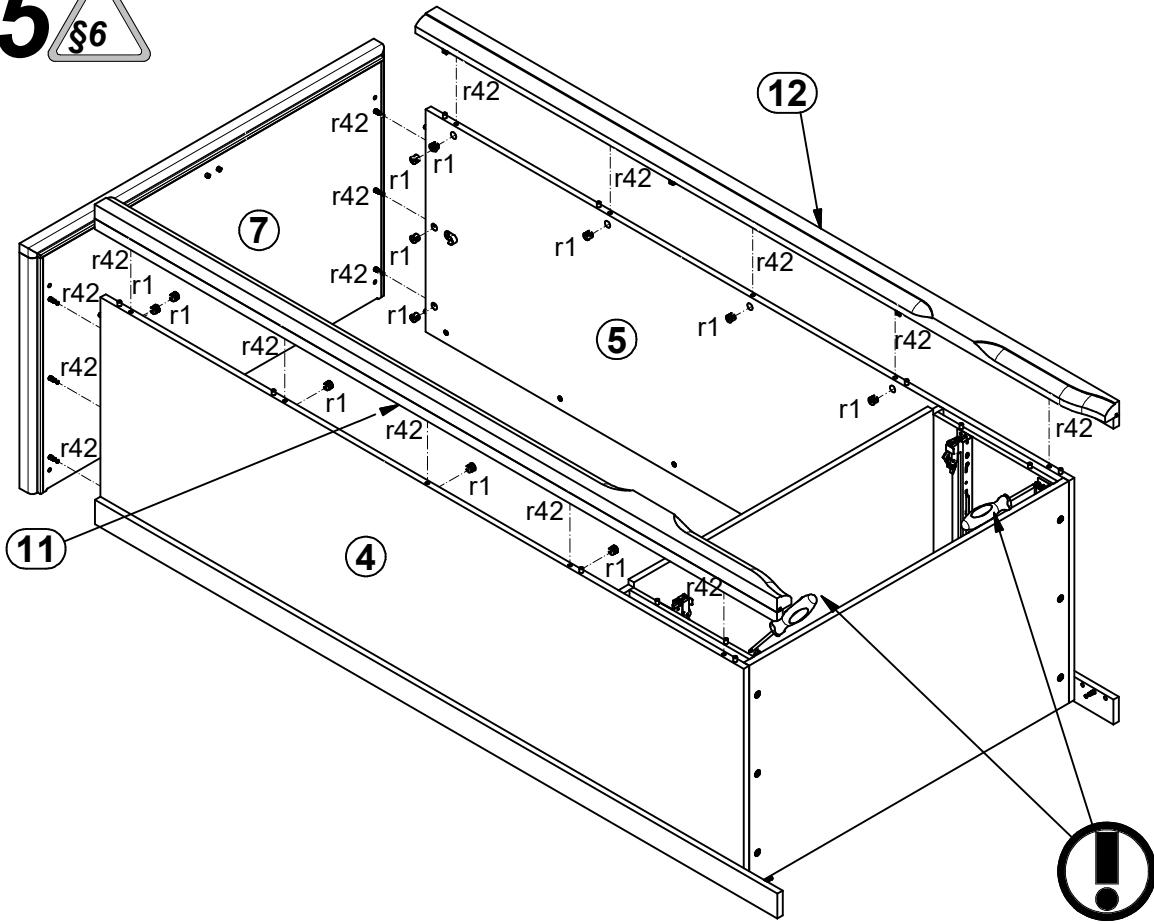
**3** §6



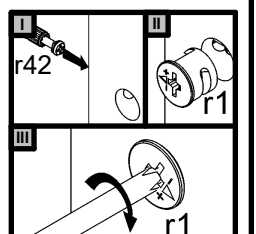
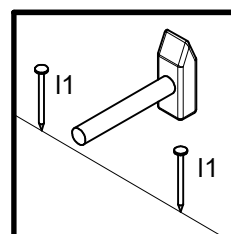
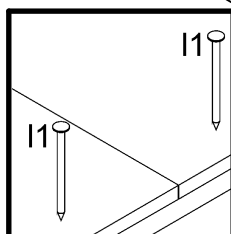
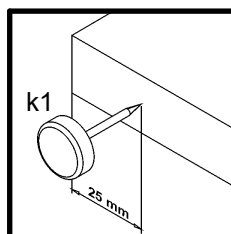
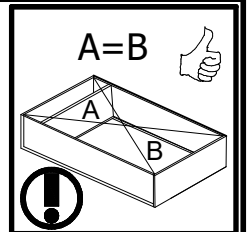
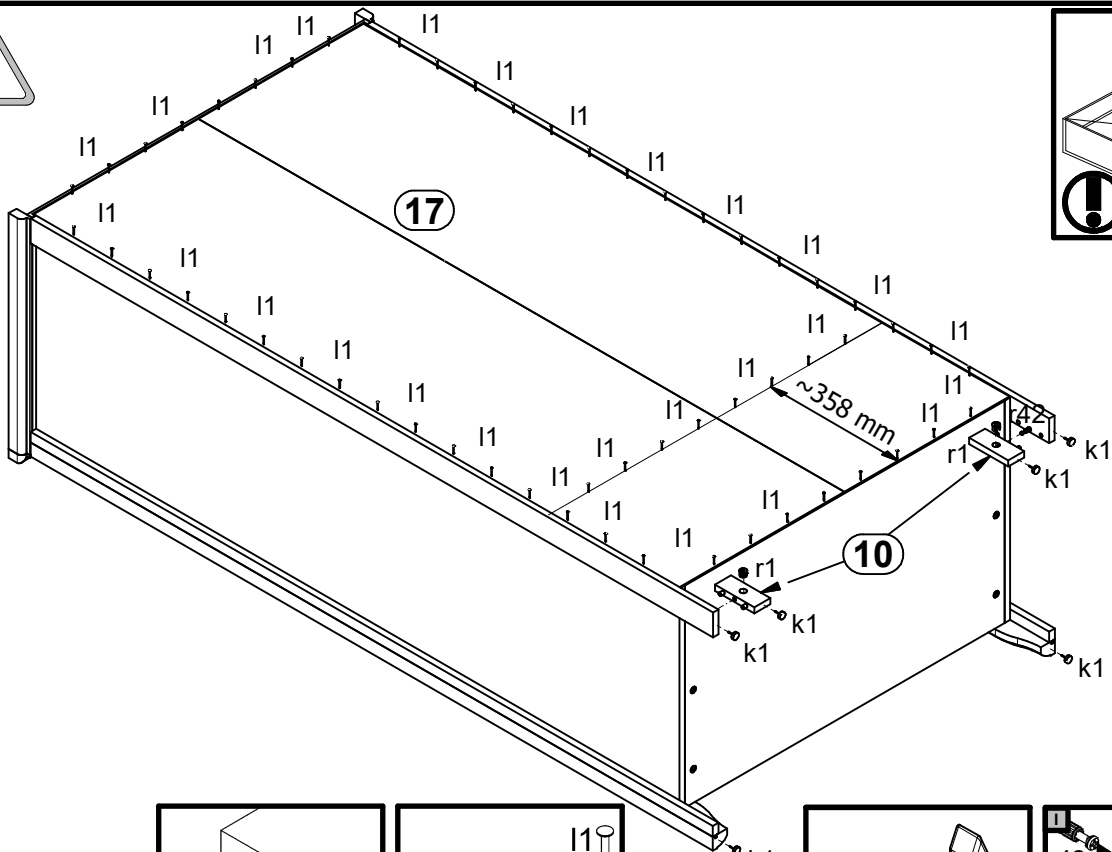
**4** §6

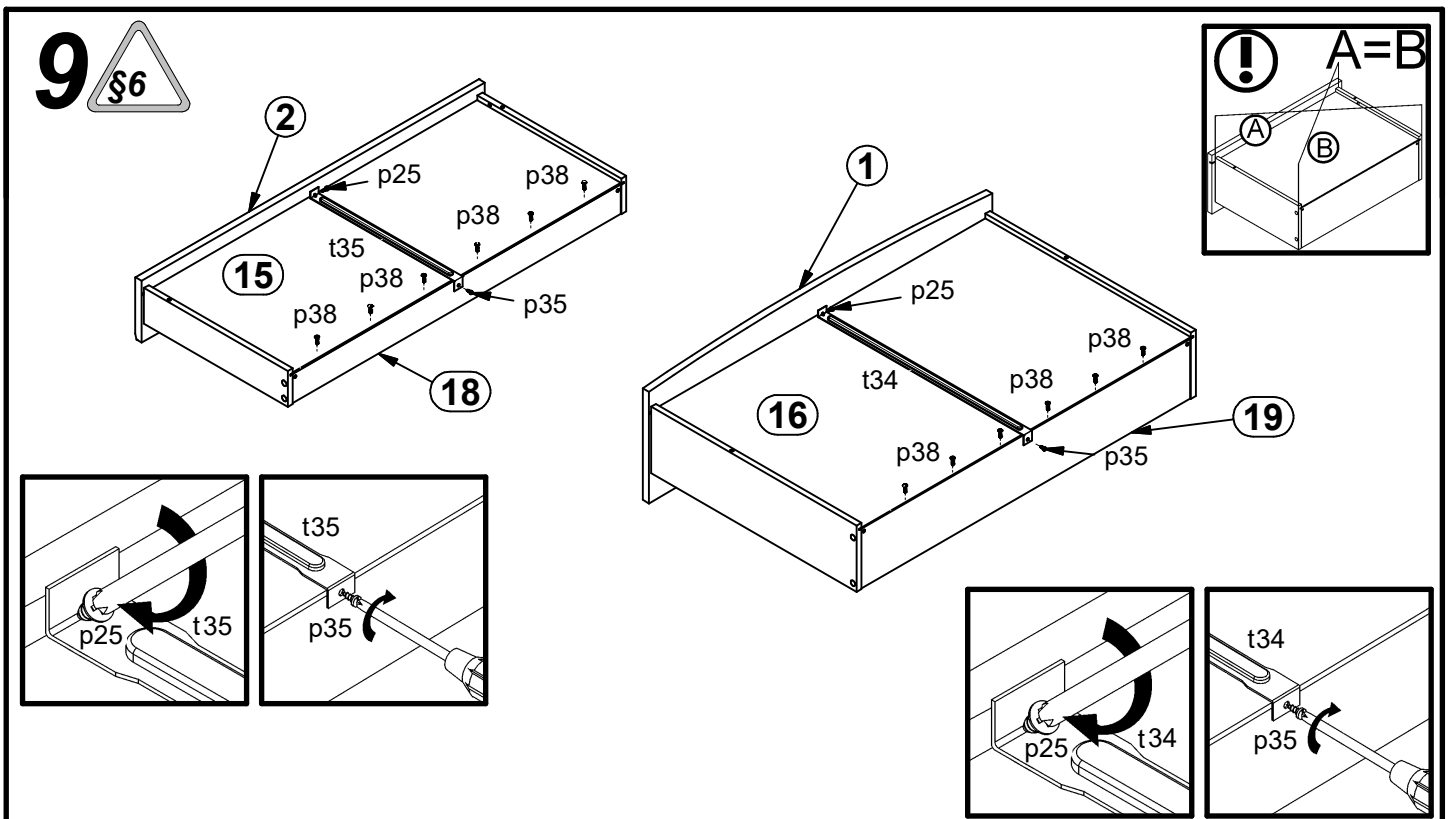
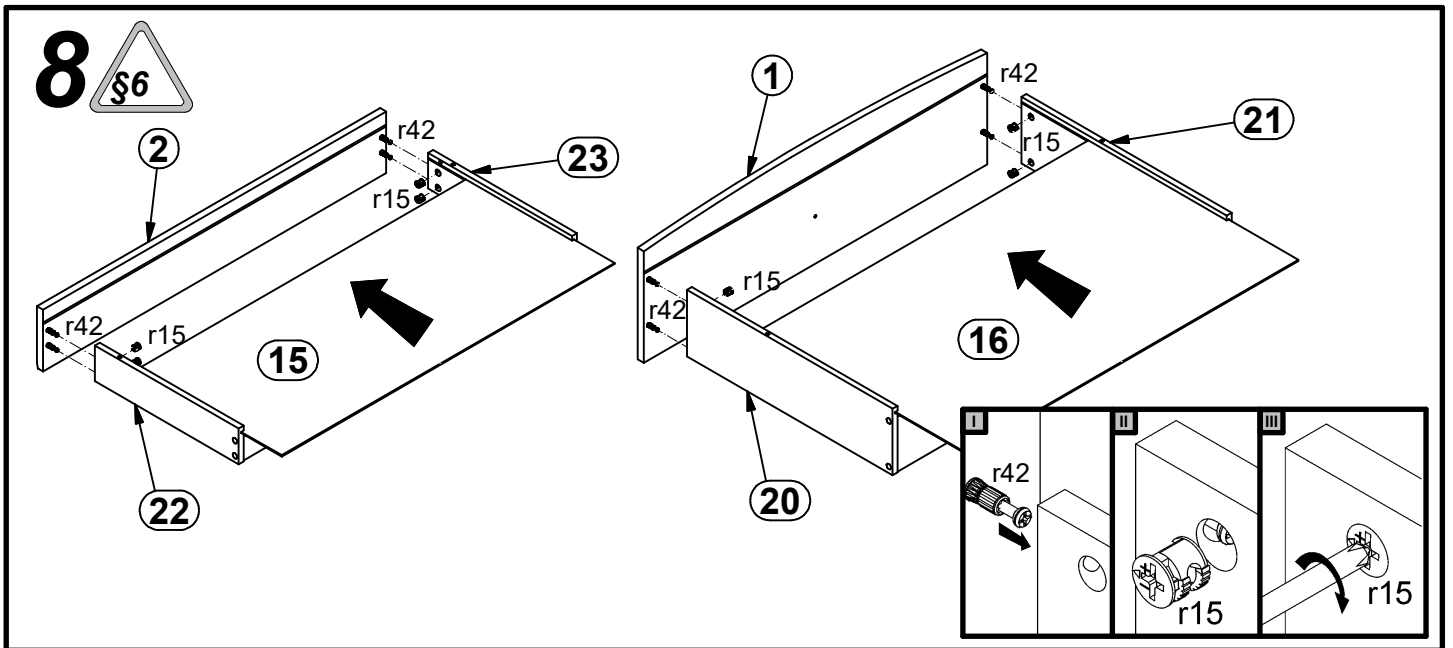
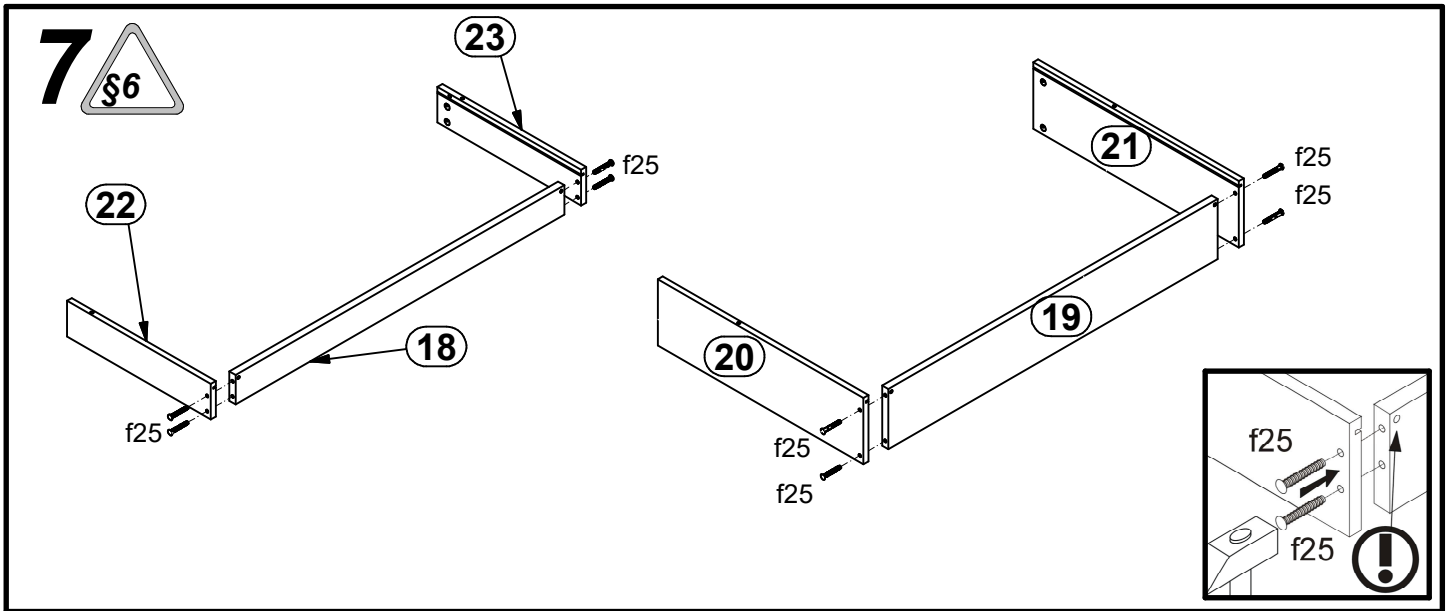


# 5



# 6





# 10

