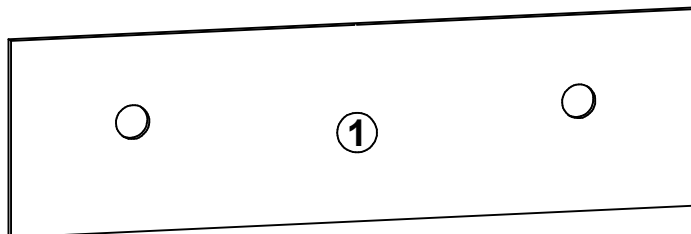
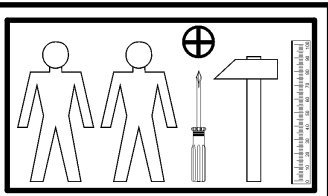
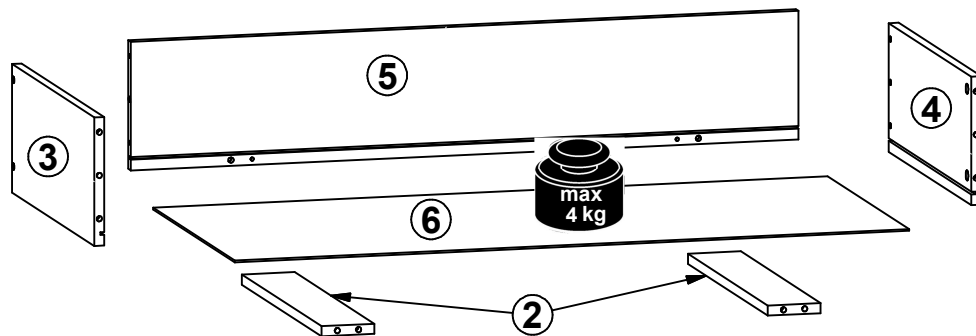


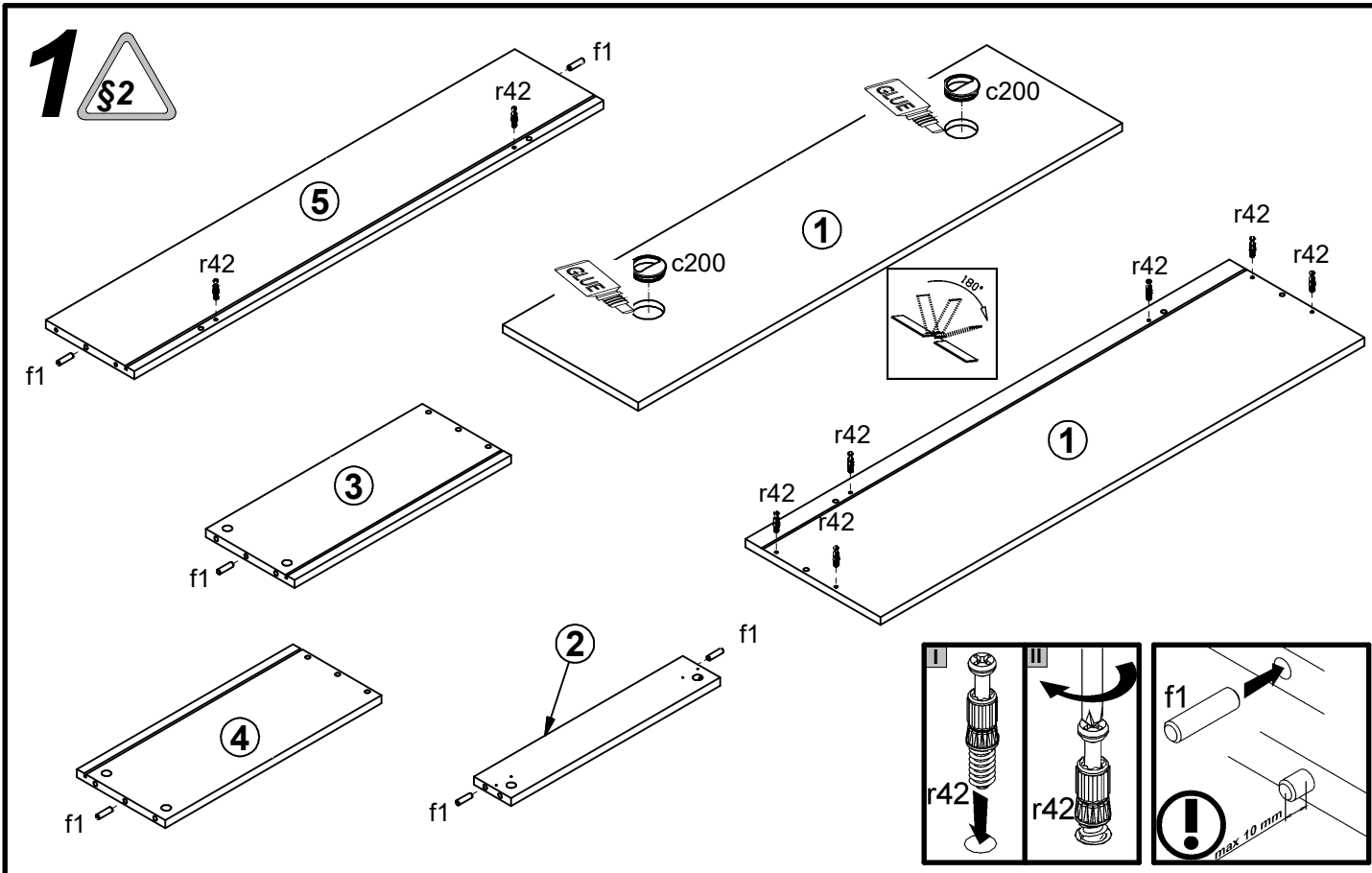
**A**

# NEPO Plus S435-LOZ3S-OPCJA

| A | B         | C    | D   |     |
|---|-----------|------|-----|-----|
| 1 | S435-0026 | 1038 | 290 | 1/1 |
| 2 | S435-4039 | 448  | 80  | 1/1 |
| 3 | S435-5007 | 464  | 190 | 1/1 |
| 4 | S435-5008 | 464  | 190 | 1/1 |
| 5 | S435-5009 | 1006 | 190 | 1/1 |
| 6 | S435-9011 | 1016 | 458 | 1/1 |



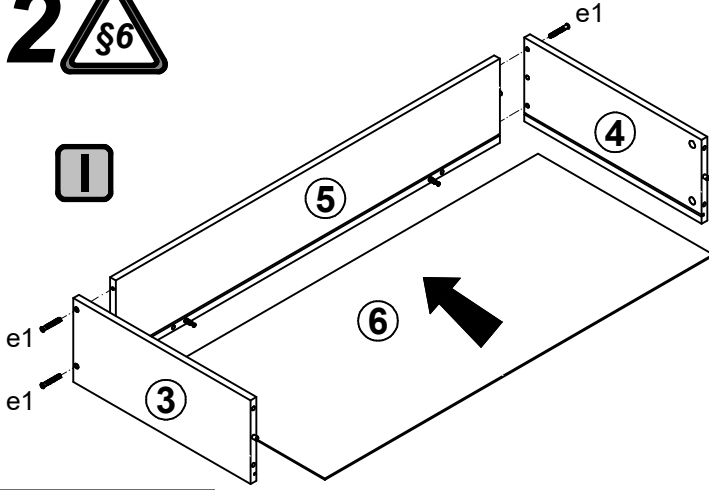
|                      |   |                           |                          |               |                            |                                |                         |               |
|----------------------|---|---------------------------|--------------------------|---------------|----------------------------|--------------------------------|-------------------------|---------------|
| 6x<br><br>c200       | 12x<br><br>e1<br>Ø7x50 mm               | 24x<br><br>f1<br>Ø8x30 mm | 12x<br><br>k34<br>Ø25 mm | 36x<br><br>l2 | 24x<br><br>p93<br>Ø4x13 mm | 24x<br><br>r1<br>Ø15x12 mm #16 | 24x<br><br>r42<br>20/11 | 12x<br><br>s1 |
| 12x<br><br>s2<br>Ø16 | 2x<br><br>y3<br>15g<br>klej do uchwytów | 1x<br><br>z1<br>4 mm      |                          |               |                            |                                |                         |               |



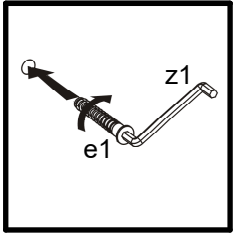
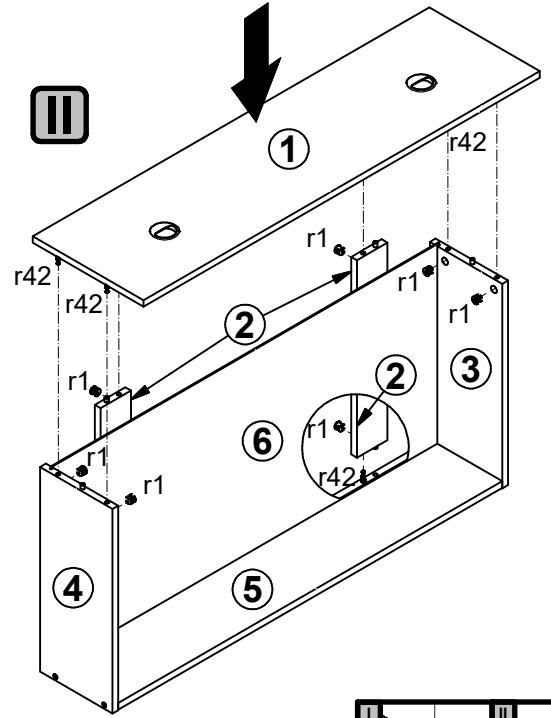
# 2



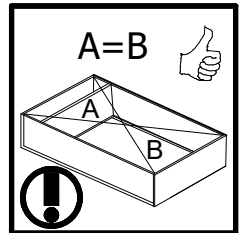
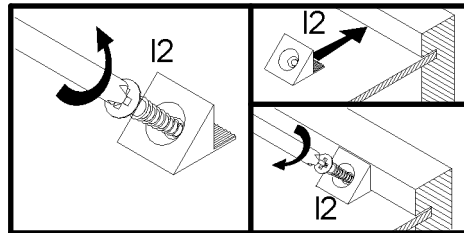
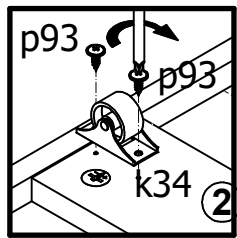
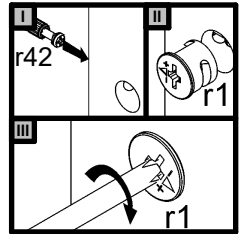
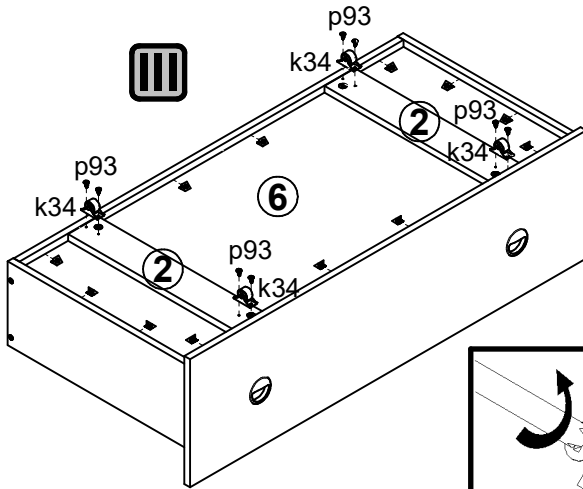
## I



## II



## III



# 3

