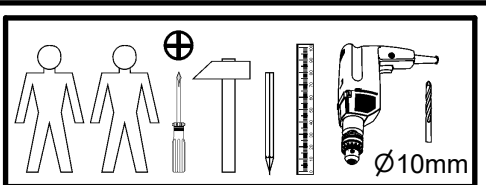
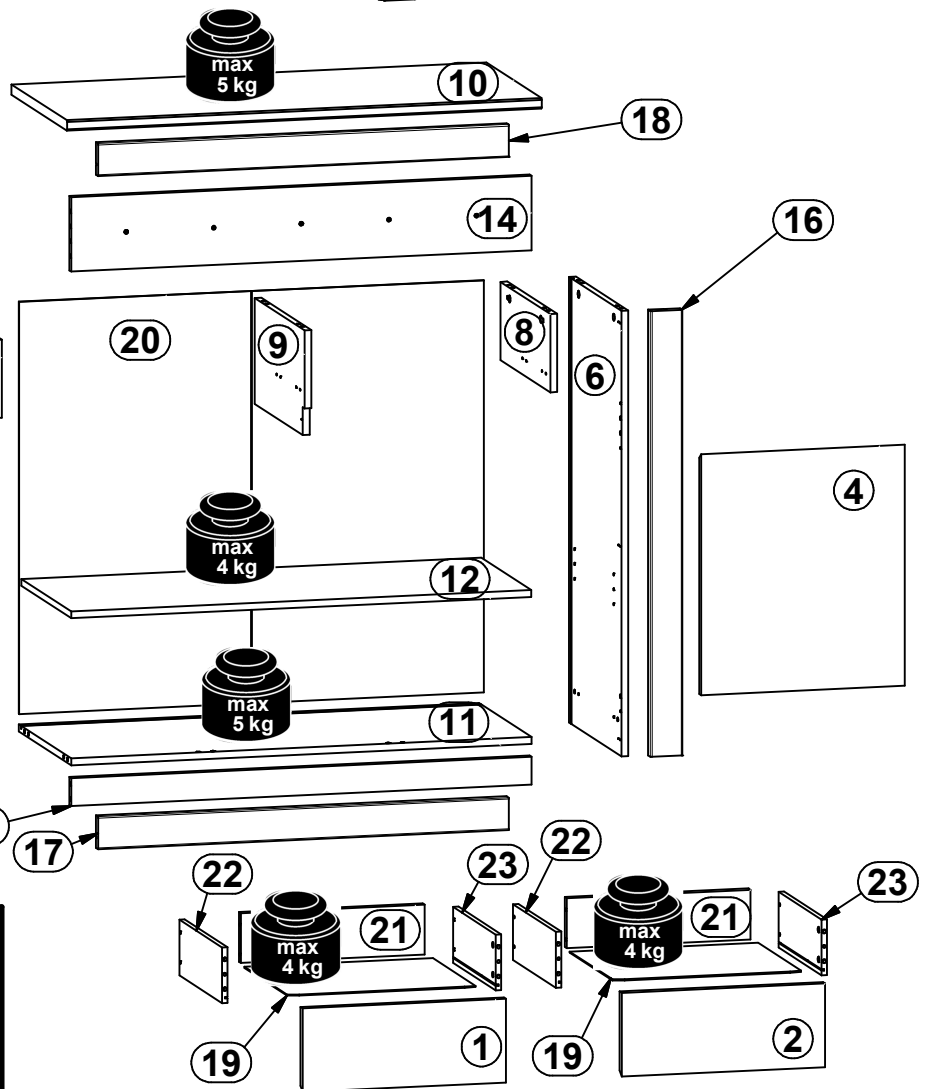
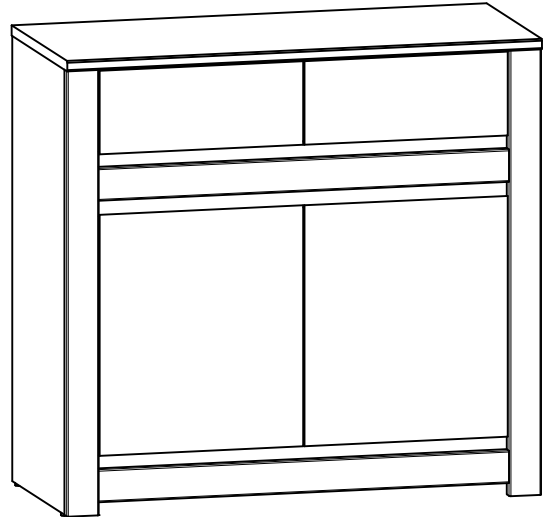
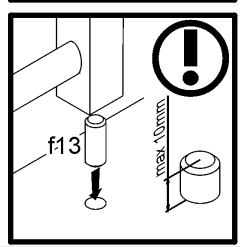
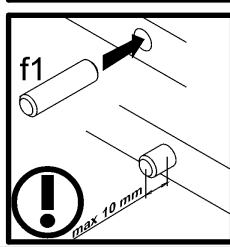
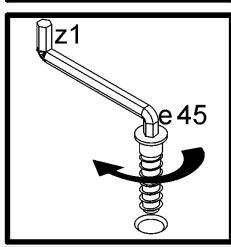
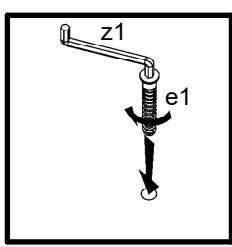
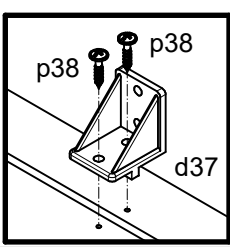
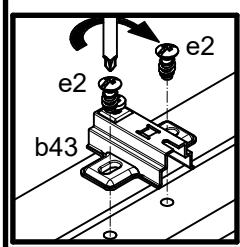
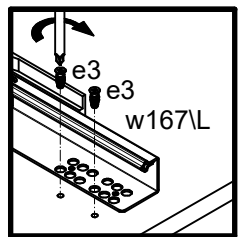
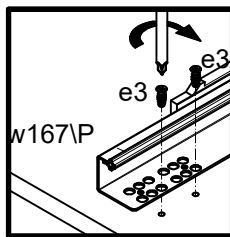
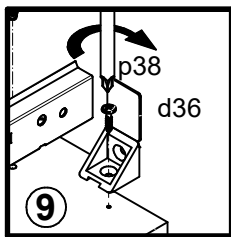
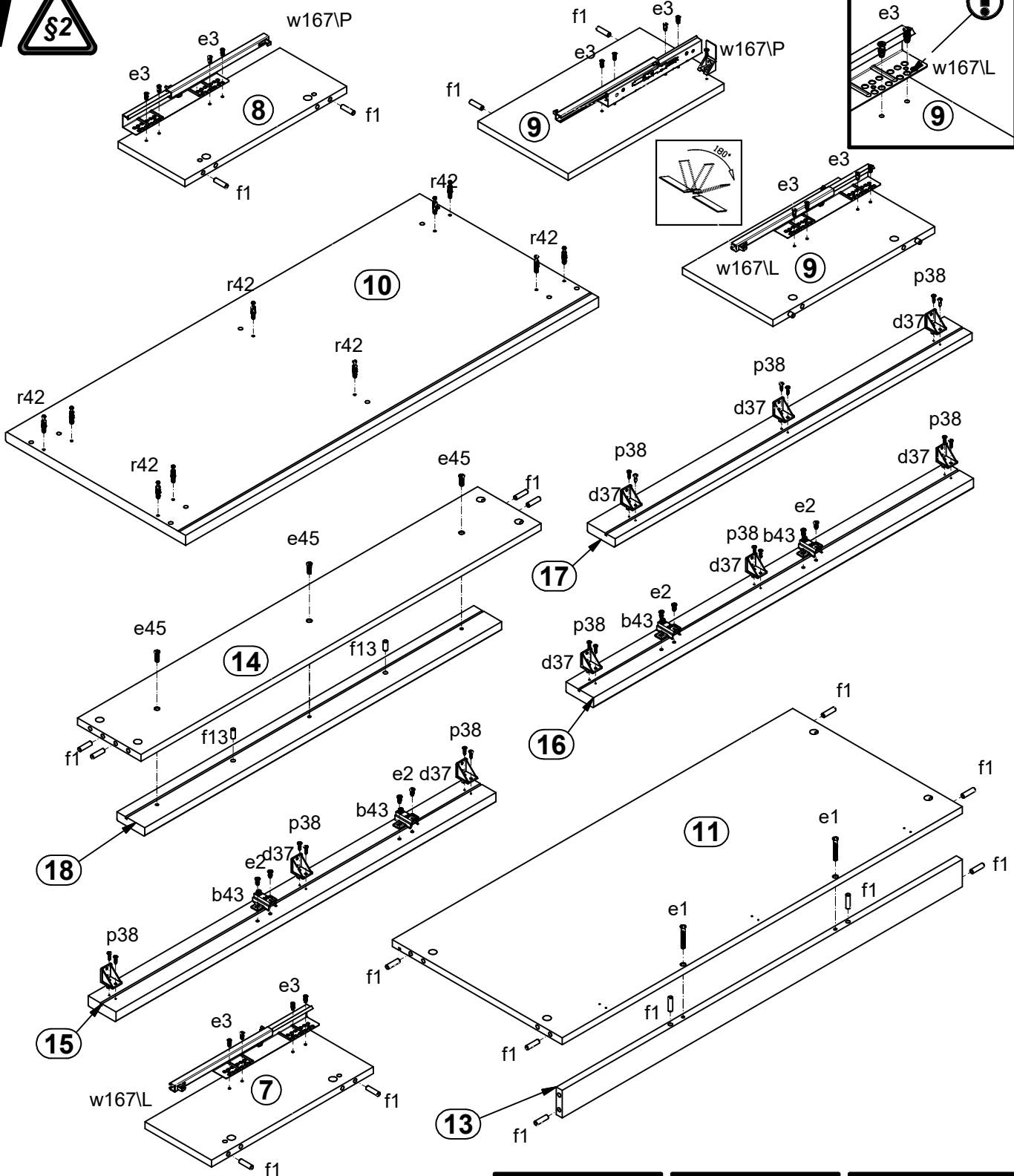
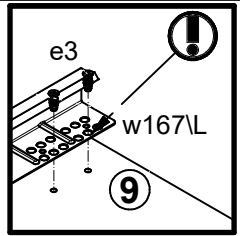


A	B	C	D	
1	S404-0001	446	180	3/3
2	S404-0002	446	180	3/3
3	S404-0003	518	446	3/3
4	S404-0004	518	446	3/3
5	S404-1001	958	428	1/3
6	S404-1002	958	428	1/3
7	S404-1003	168	408	2/3
8	S404-1004	168	408	2/3
9	S404-1005	228	408	2/3
10	S404-2001	1041	454	2/3
11	S404-3001	1009	428	2/3
12	S404-3002	1008	407	1/3
13	S404-4001	1009	60	2/3
14	S404-4002	1009	160	2/3
15	S404-5001	958	70	1/3
16	S404-5002	958	70	1/3
17	S404-5003	900	70	1/3
18	S404-5004	900	70	1/3
19	S404-9001	413	355	2/3
20	S404-9301	886	1019	2/3
21	ZQ2-1563	403	107	2/3
22	ZQ3-507	350	120	2/3
23	ZQ3-508	350	120	2/3

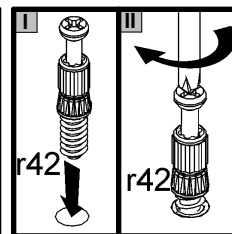
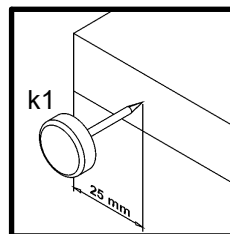
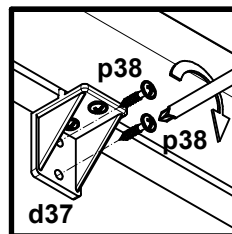
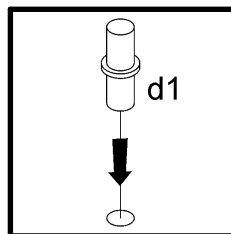
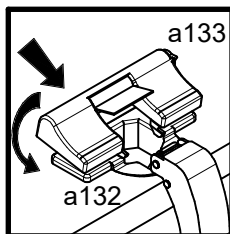
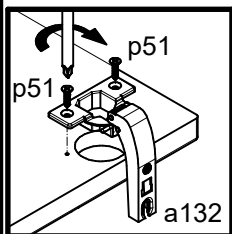
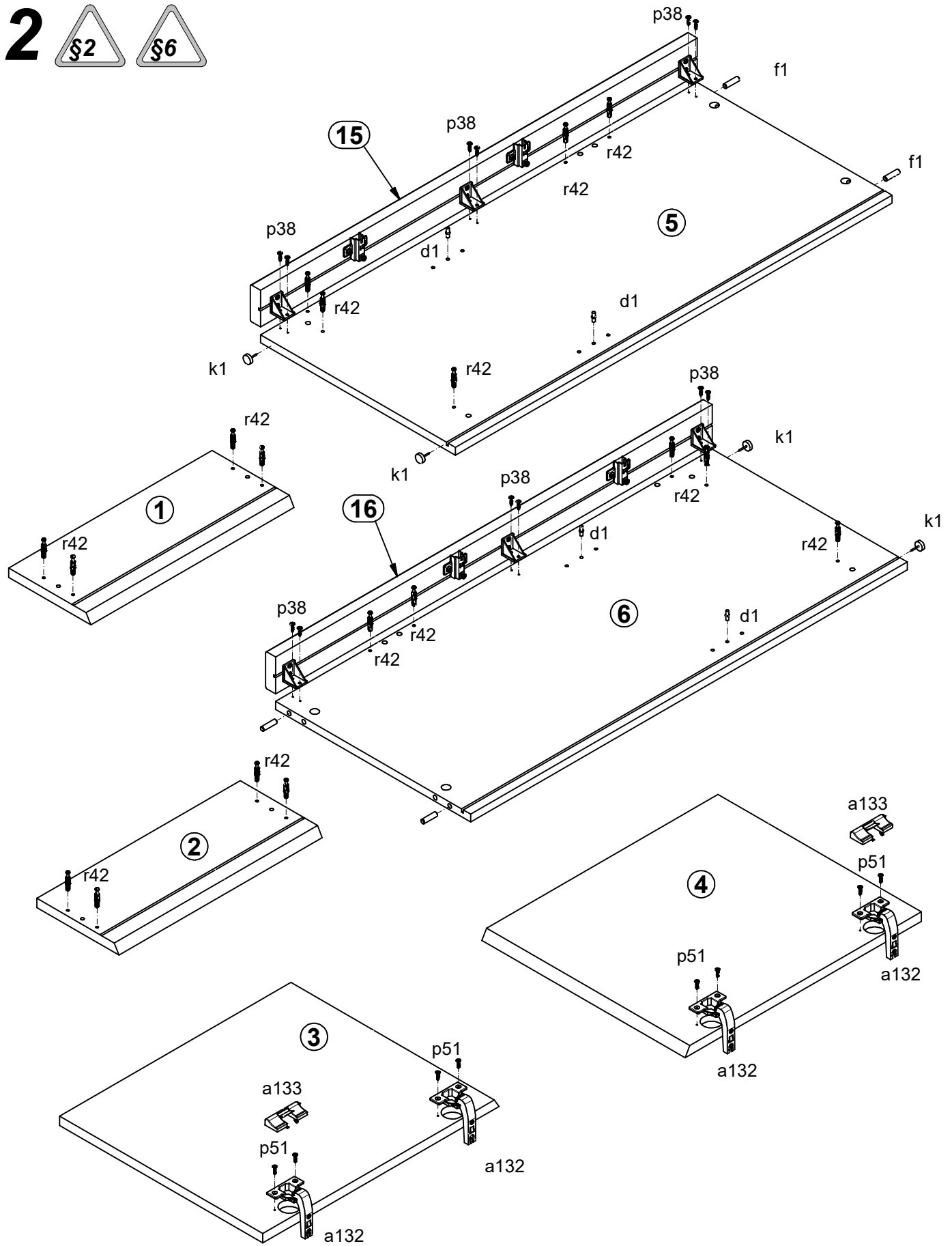


4x a132	2x a133	4x b43	4x Ø5x17 mm d1	1x d36	9x d37	2x Ø7x50 mm e1	8x Ø6.3x13 mm e2	16x Ø6x13 mm e3
3x Ø7x24 mm e45	22x Ø8x30 mm f1	2x Ø8x20 mm f13	8x Ø6.5x40 mm f25	4x Ø6x30 mm f9	4x k1	12x l2	46x Ø3.5x16 mm p38	8x Ø3.5x15 mm p51
4x Ø2.9x16 mm p55	20x Ø15x12 mm #16 r1	8x Ø12x10.5 mm #12 r15	28x 20x11 r42	2x 350mm w167L	2x 350mm w167P	1x 4 mm z1	1x n2611	1x Ø3.5x16 mm p38

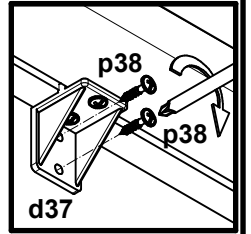
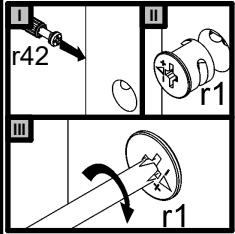
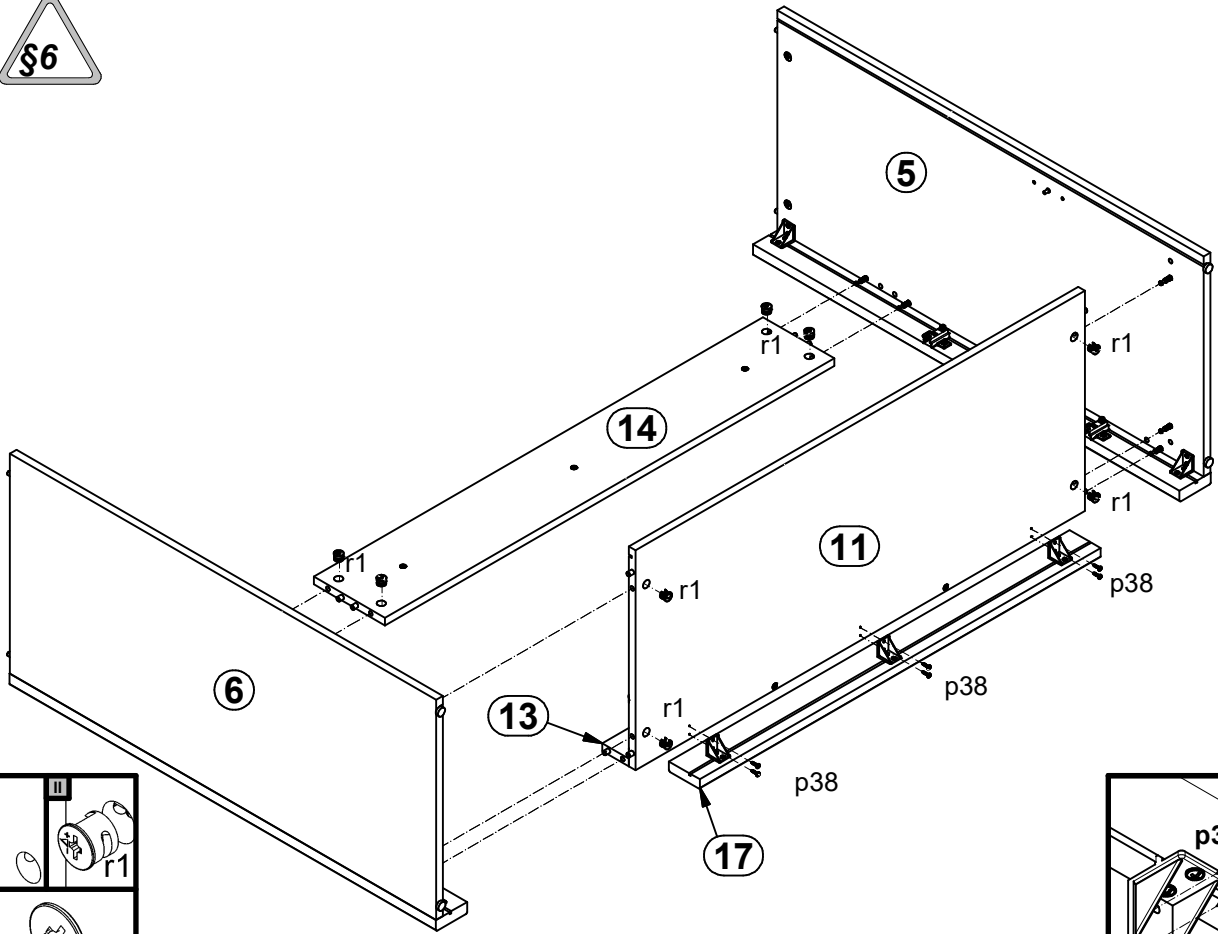
1  §2



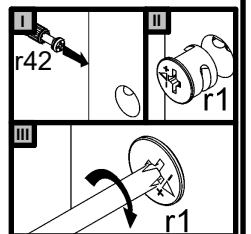
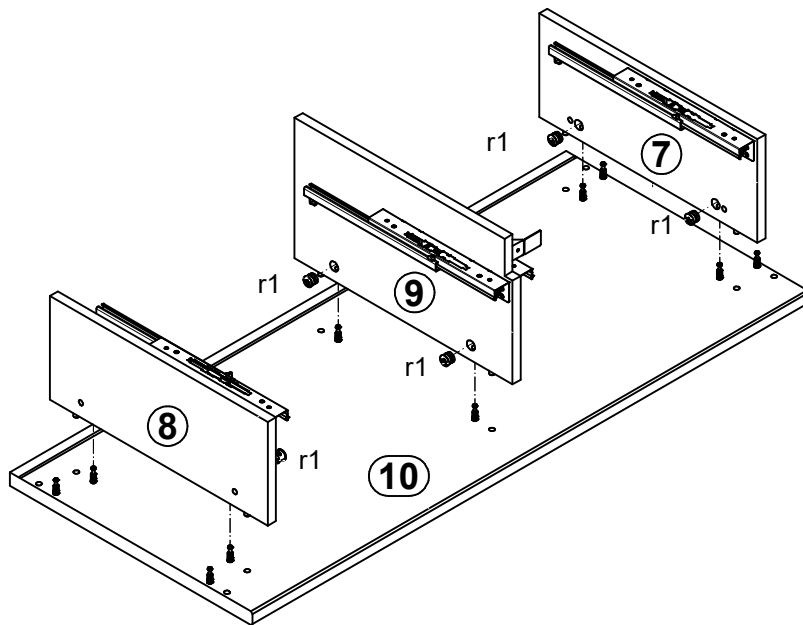
2



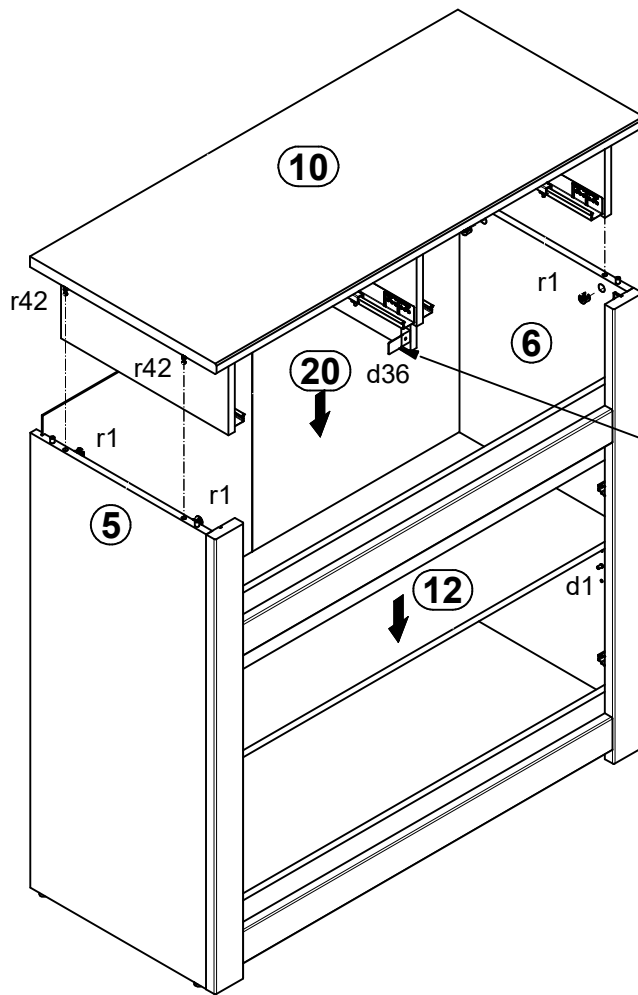
3



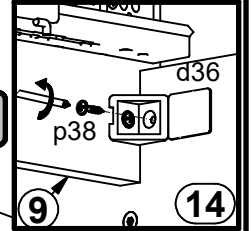
4



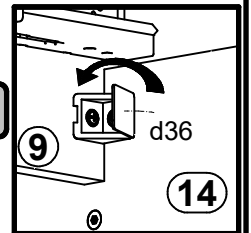
5



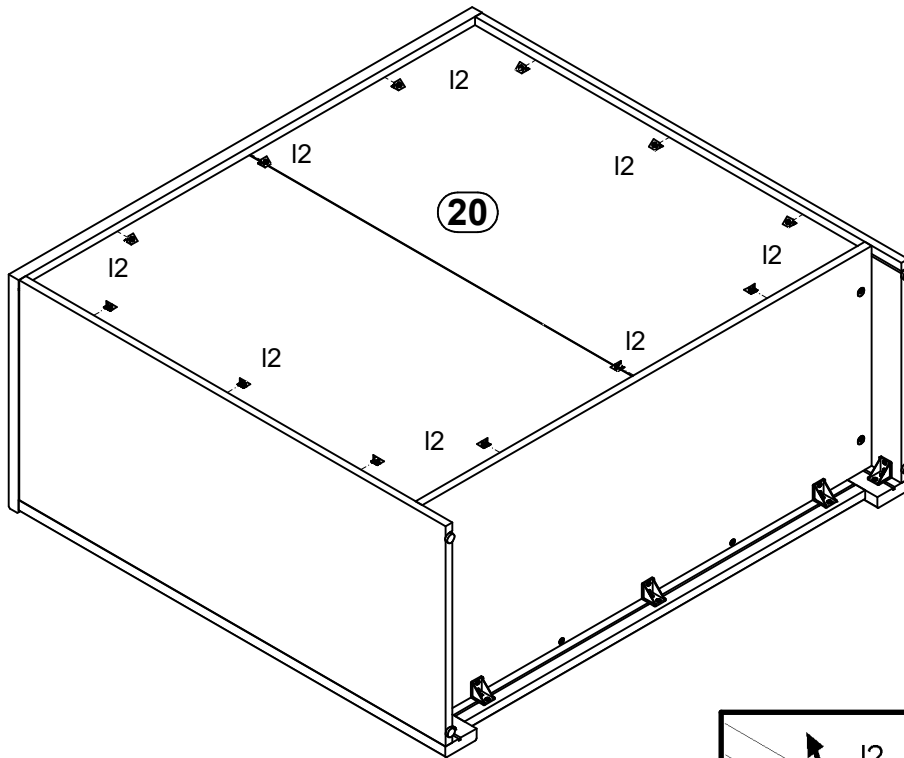
I



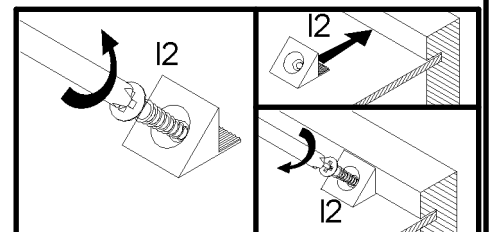
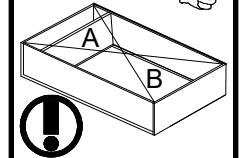
II



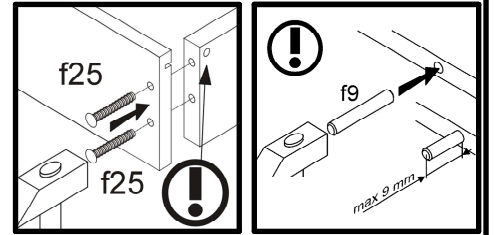
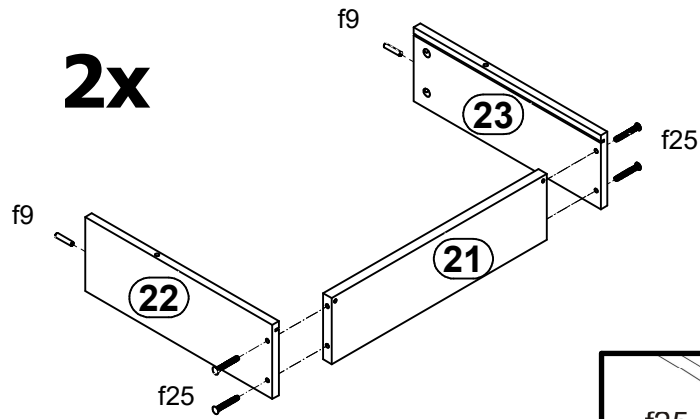
6



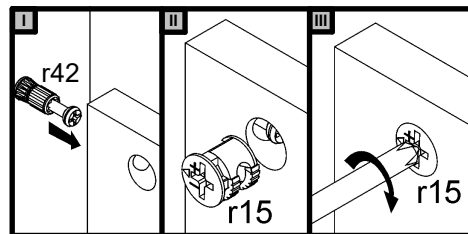
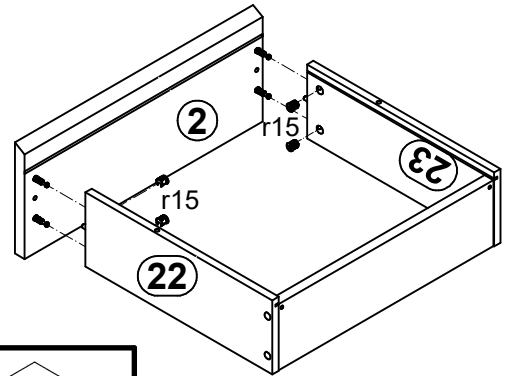
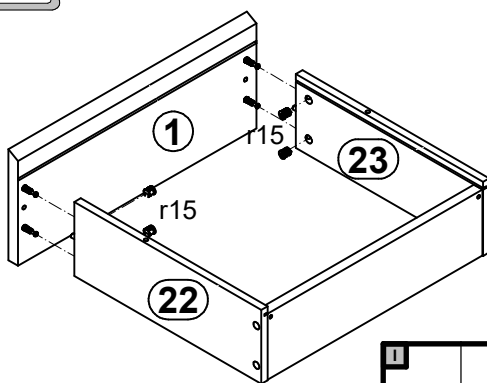
A=B



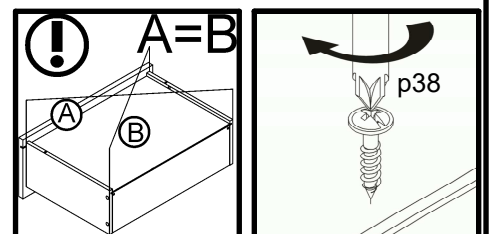
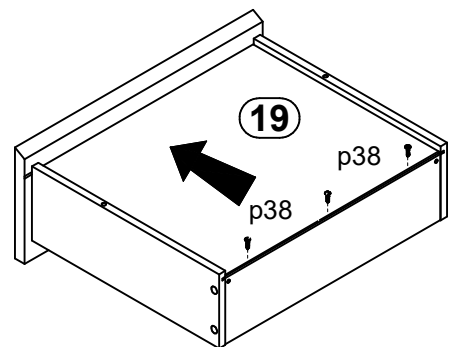
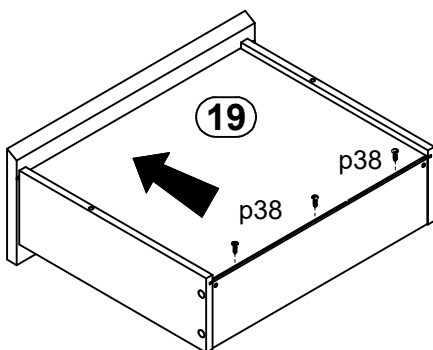
7 



8 



9 



10

