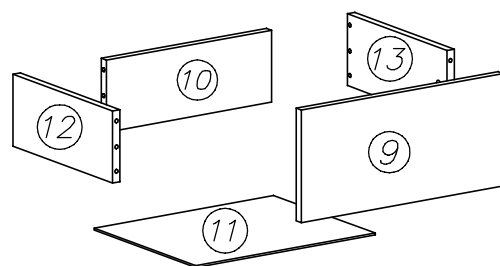
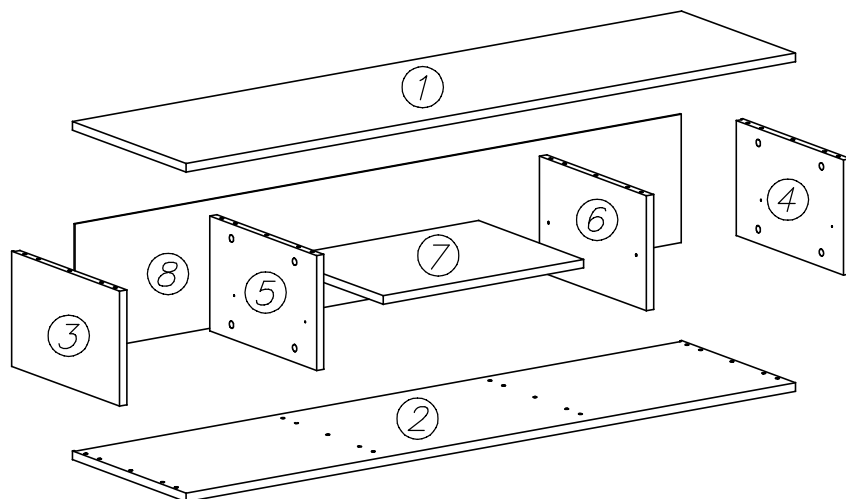
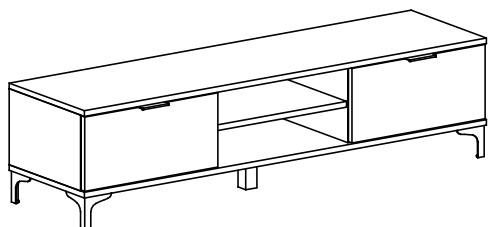
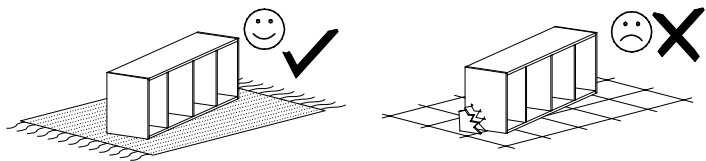
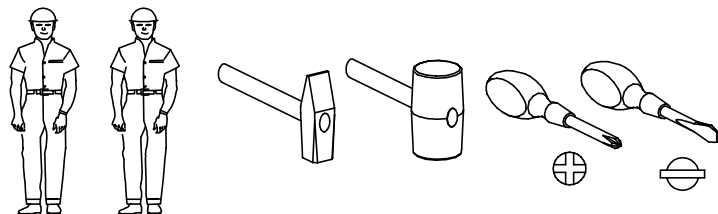
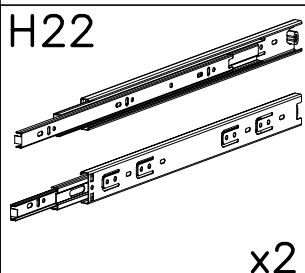


LEN05 rtv 2S

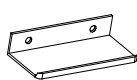


H22



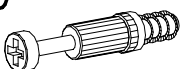
x2

E17



x2

K5



x20

G21



3x16

x70

W2



4mm

x1

G34



3,5x16

x20

G4



4x16

x20

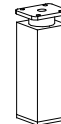
K1



ø15x13,2

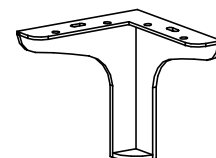
x20

P17



x1

P13



x4

A1



ø7x50

x4

F2



x4

I7



ø18

x20

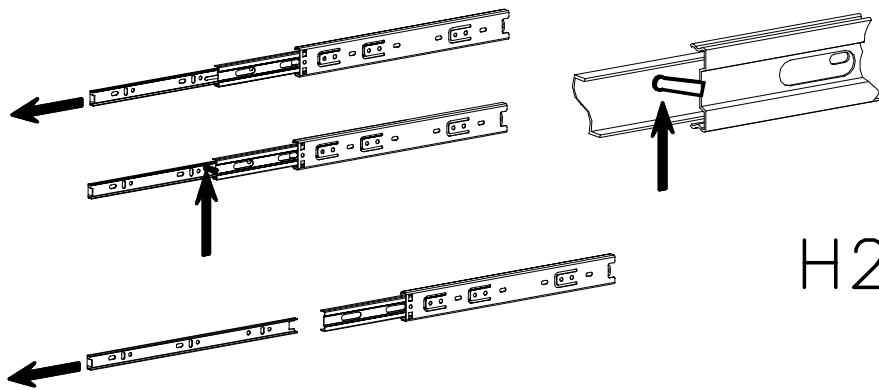
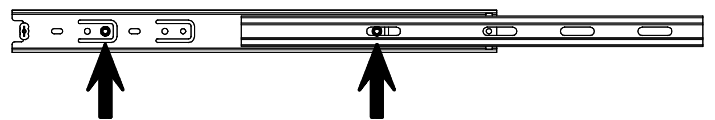
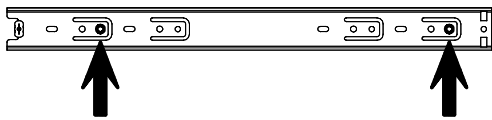
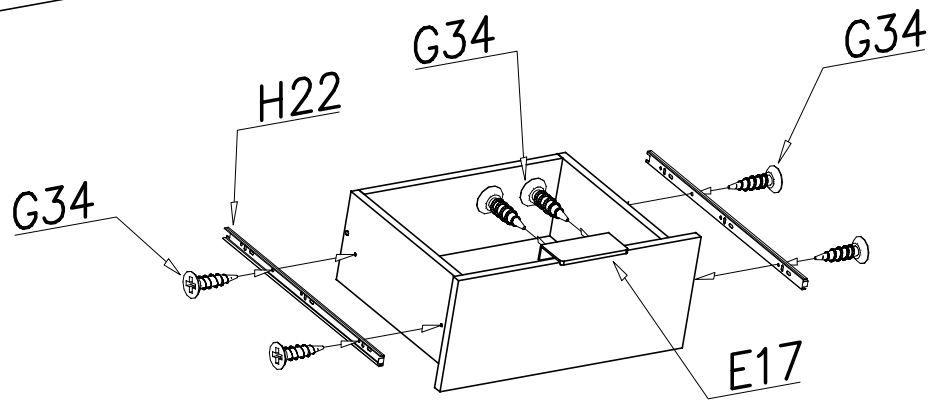
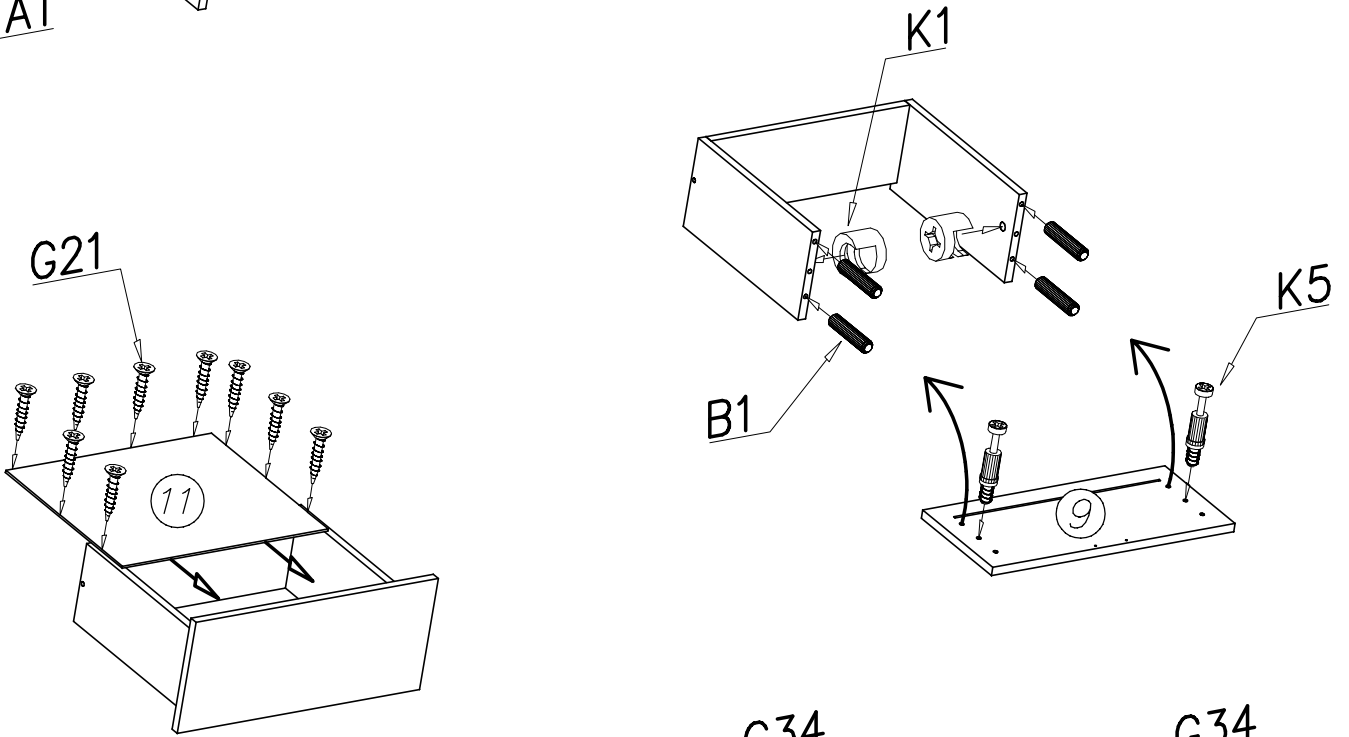
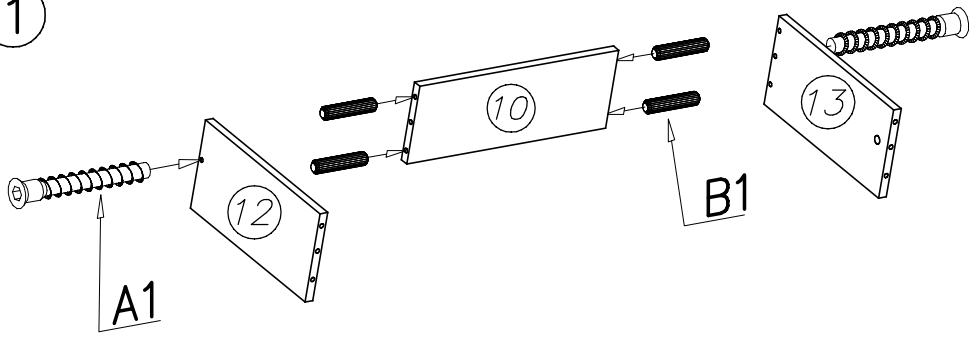
B1



ø8x35

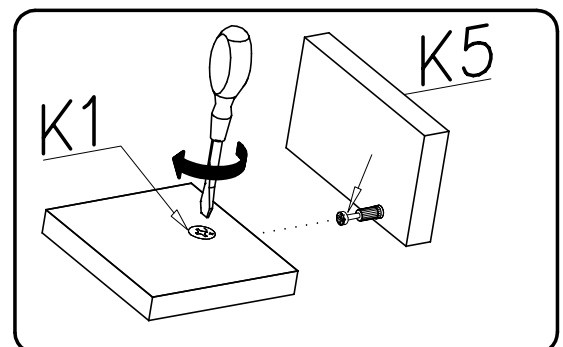
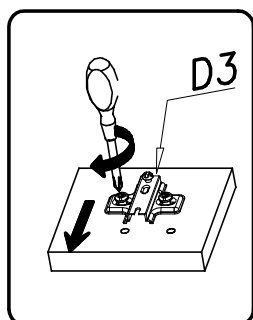
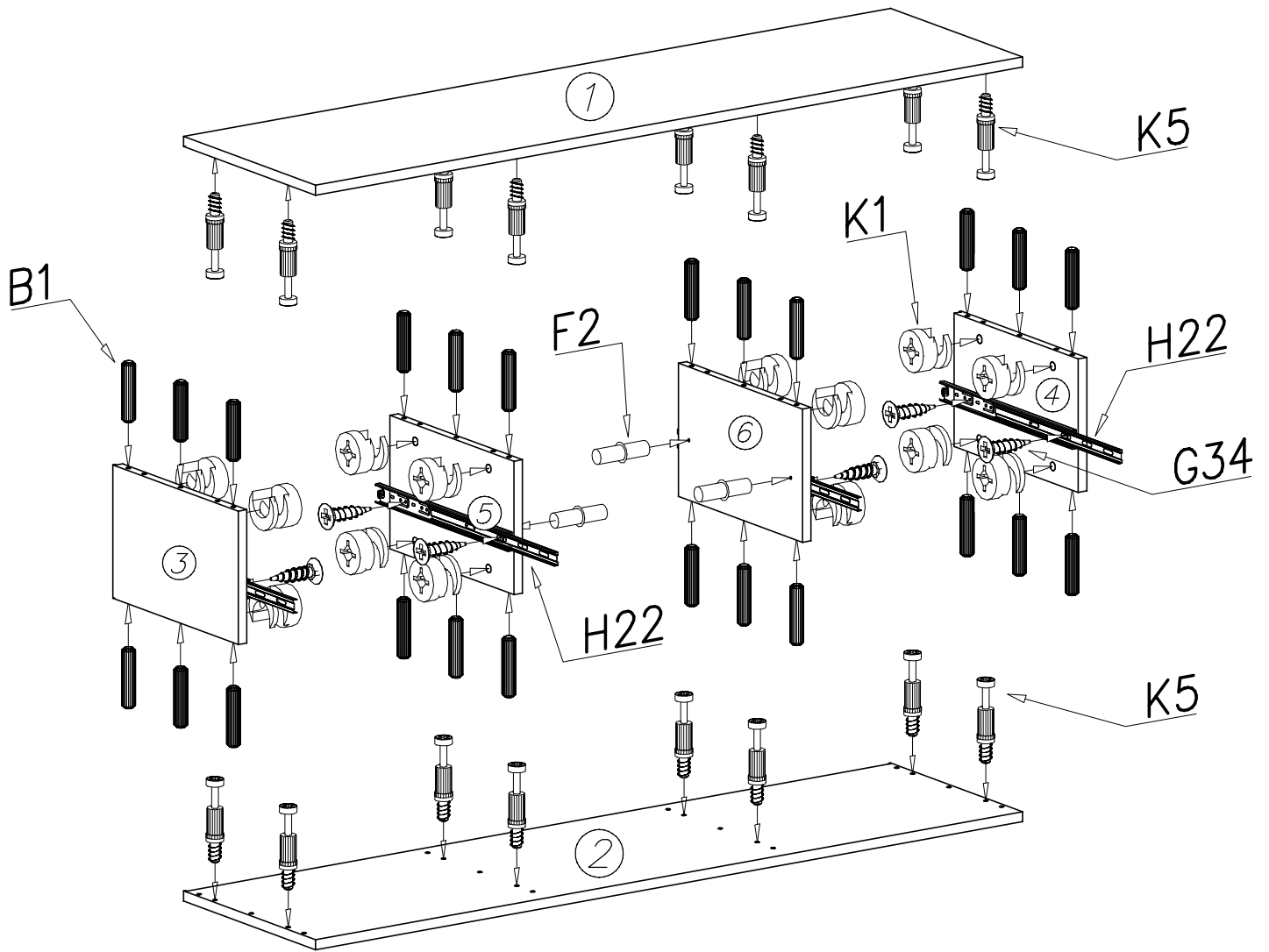
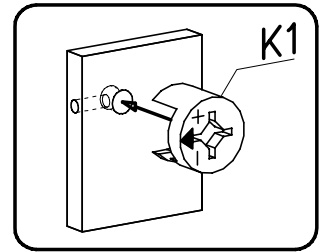
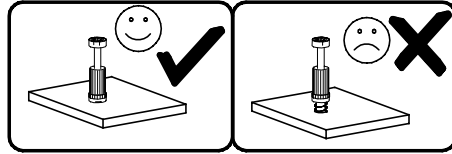
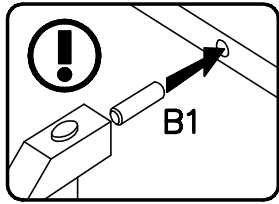
x40

1

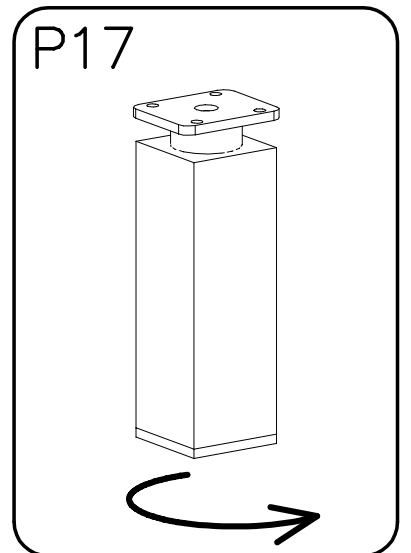
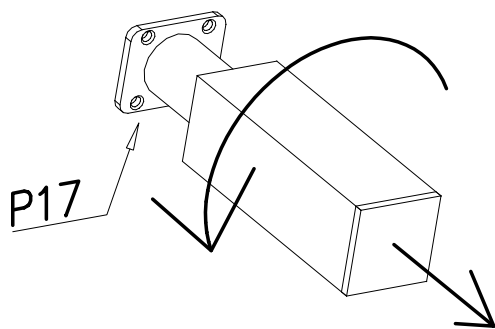
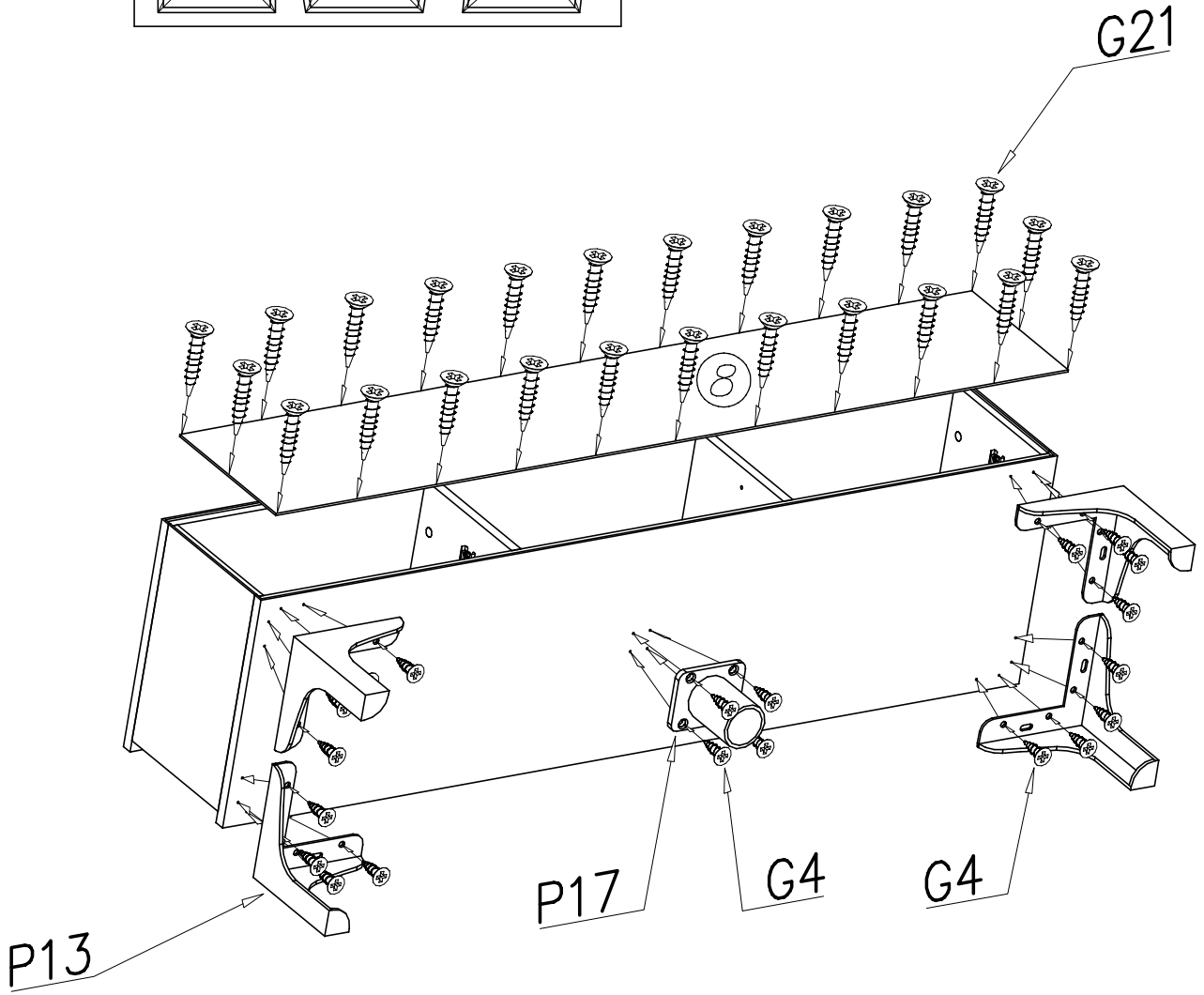
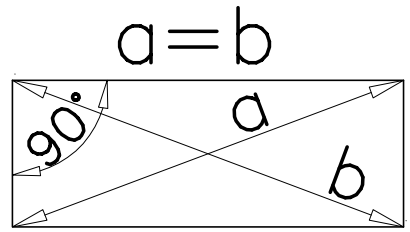
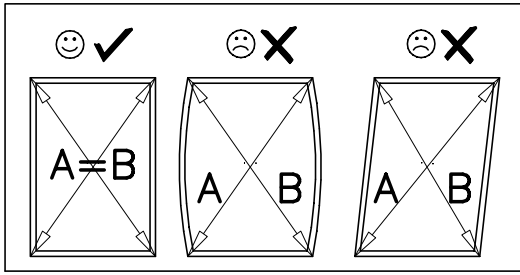


H22

2



3



4

