

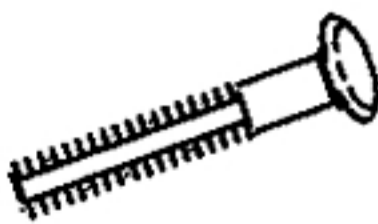



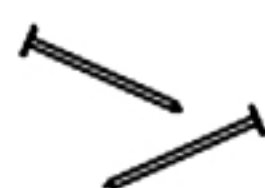



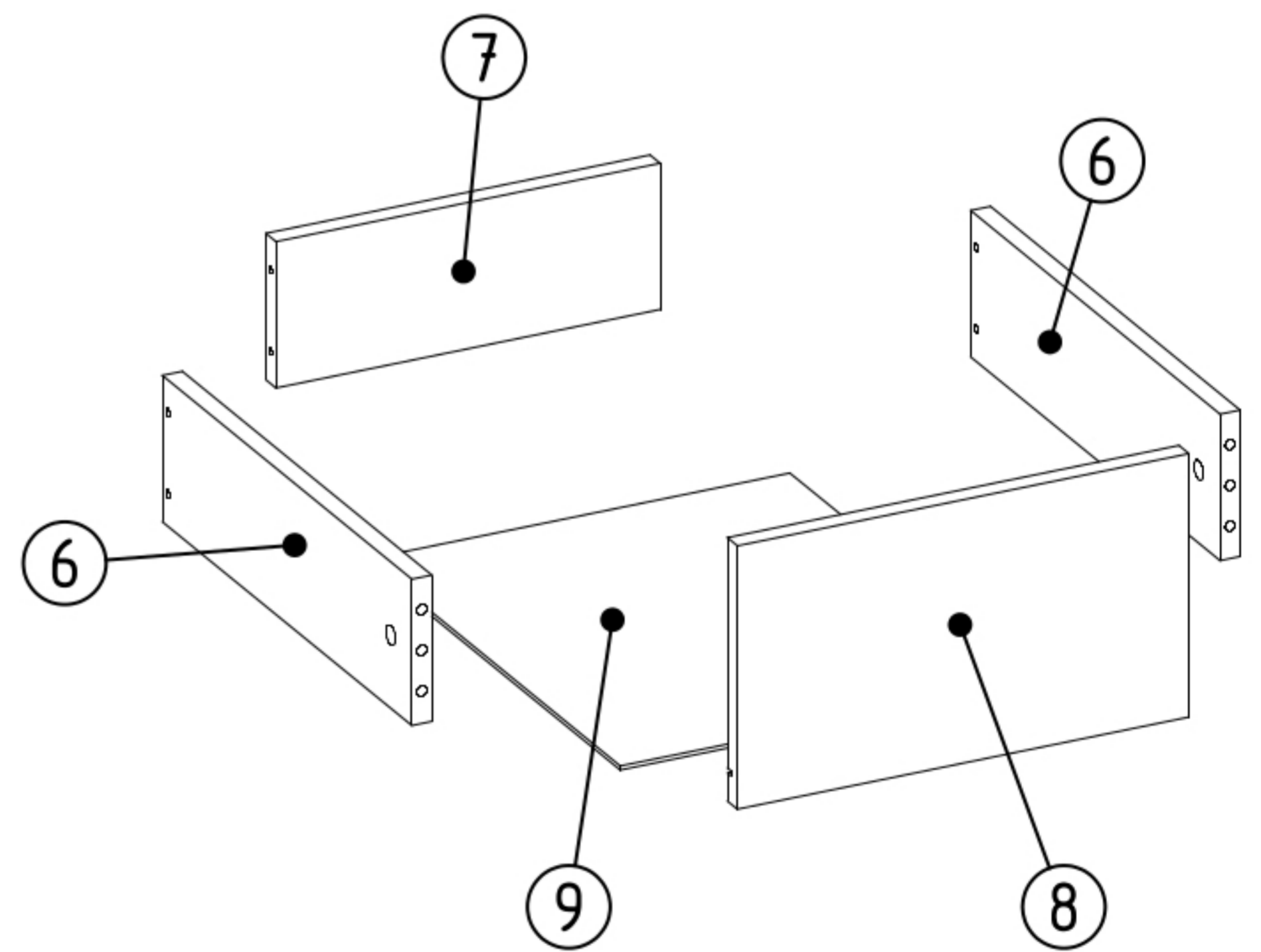
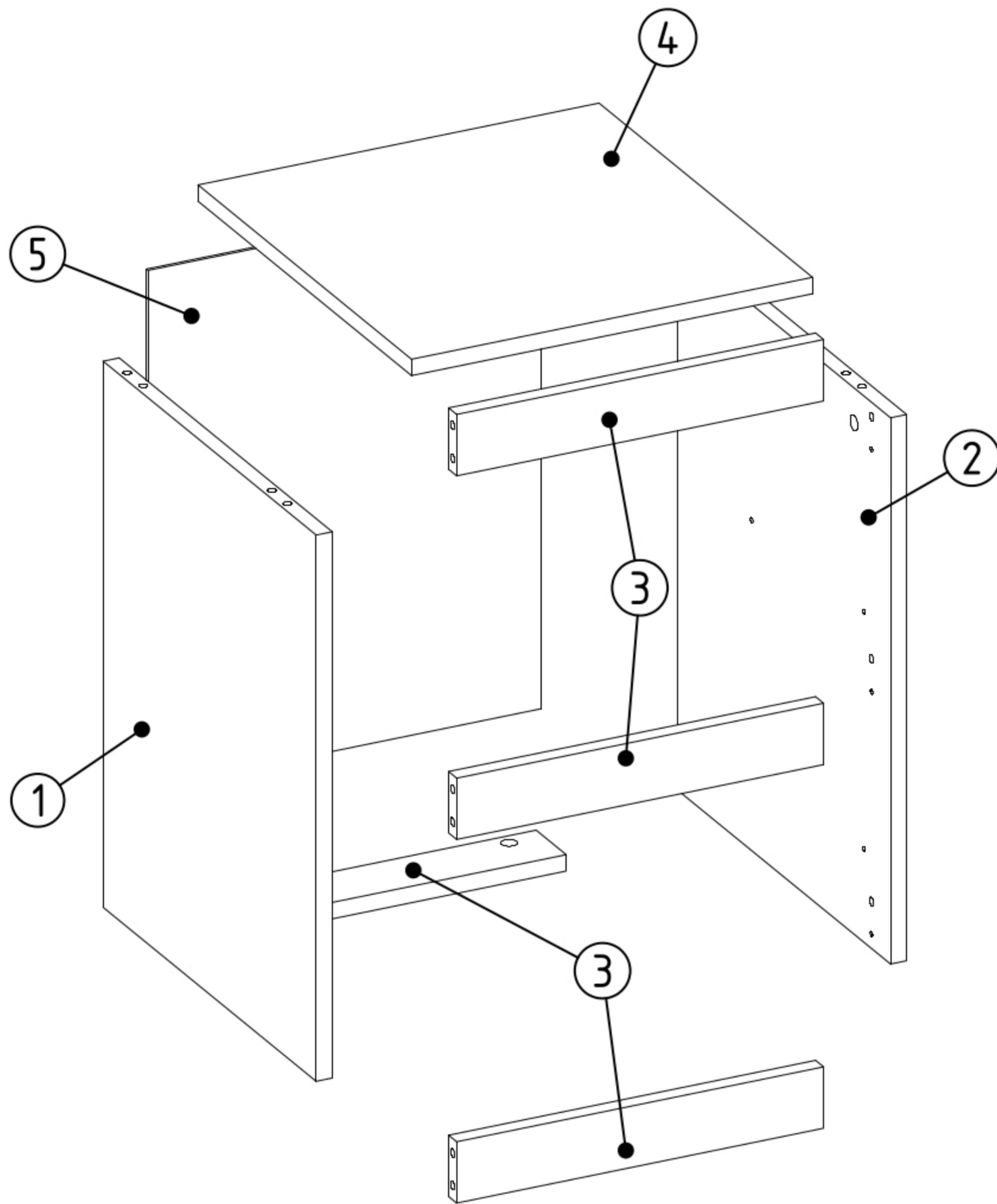


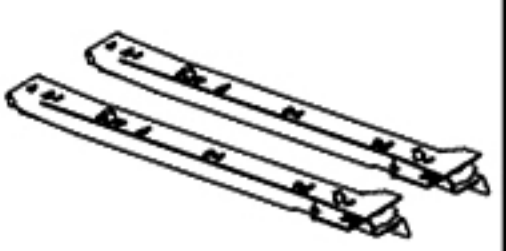

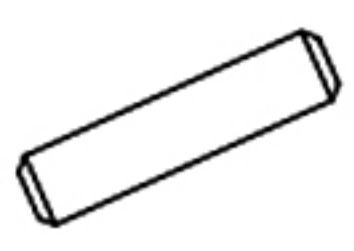



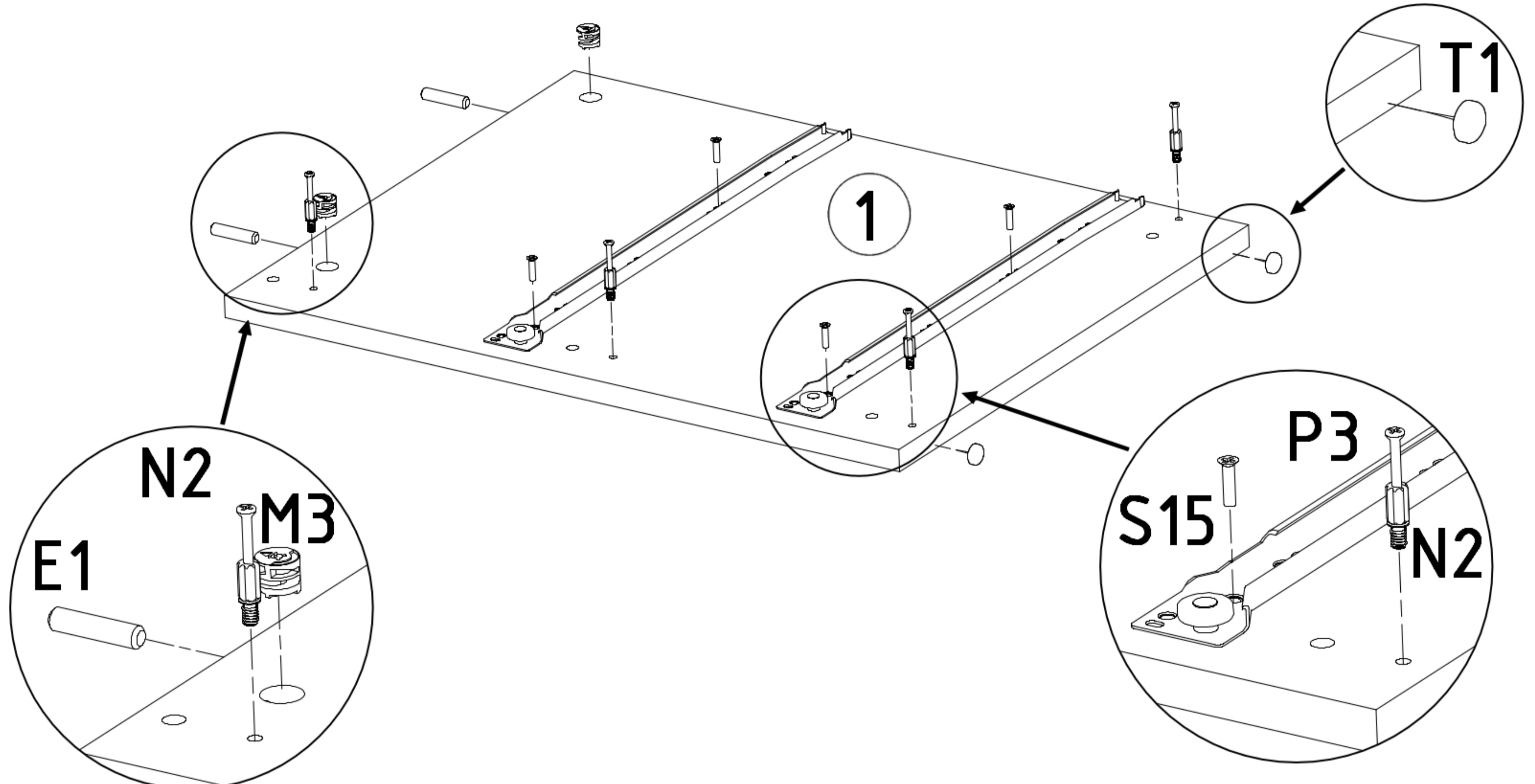
<p>N2</p>  <p>30,3 x 16</p>	<p>M3</p>  <p>x 16</p>	<p>E4</p>  <p>x 8</p>	<p>S1</p>  <p>3,5x16 x 8</p>	<p>E1</p>  <p>8x35 x 20</p>
<p>T1</p>  <p>x 4</p>	<p>Z2</p>  <p>x 40</p>	<p>P3</p>  <p>L=400 x 2</p>	<p>S15</p>  <p>6x8 x 8</p>	<p>M2</p>  <p>x 4</p>









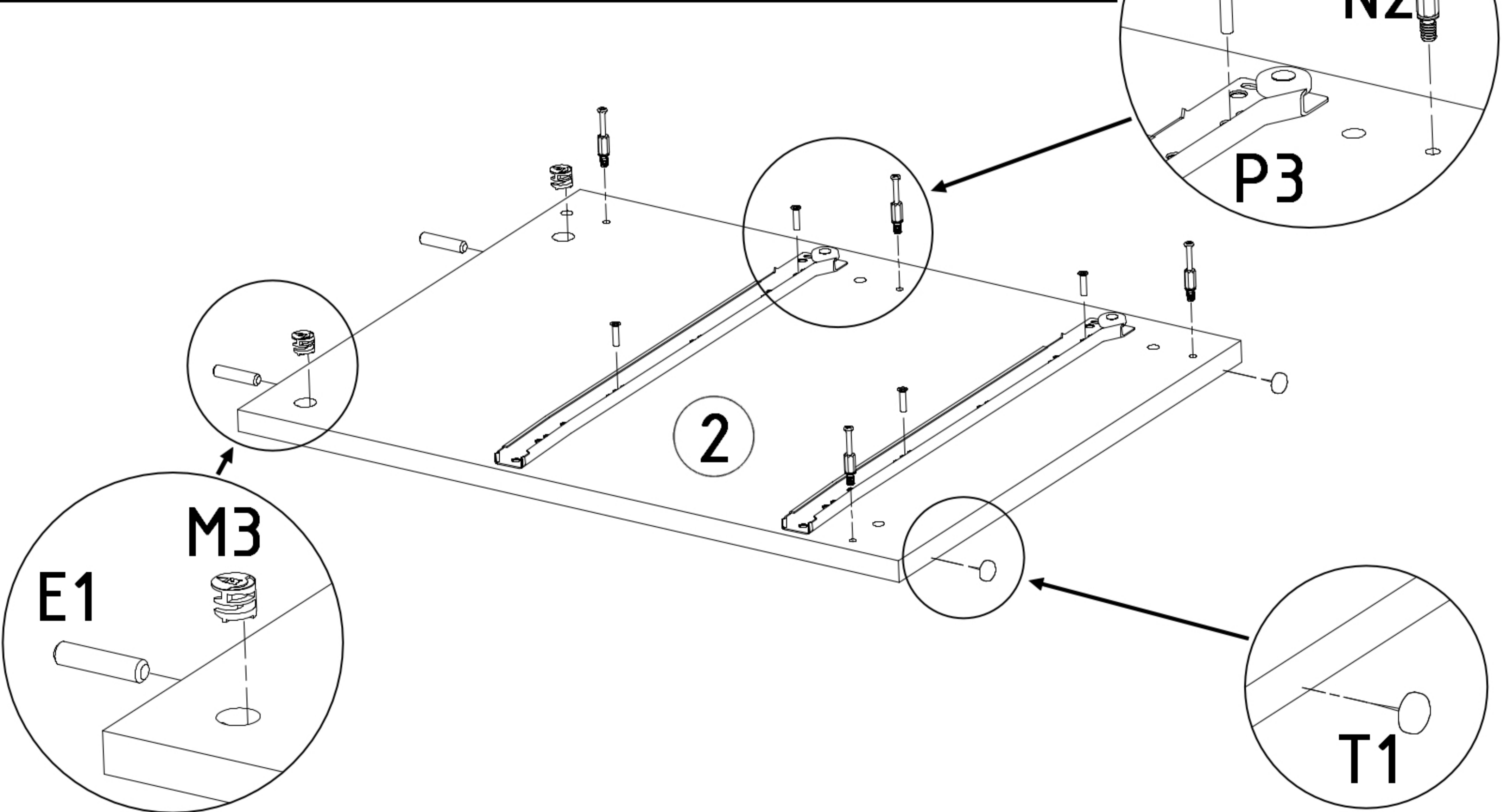
1	x	1
2	x	1
3	x	4
4	x	1


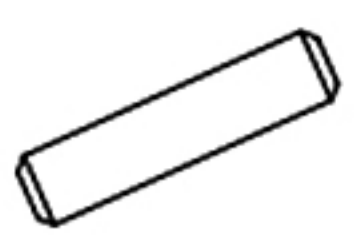
5	x	1
6	x	4
7	x	2
8	x	2
9	x	2

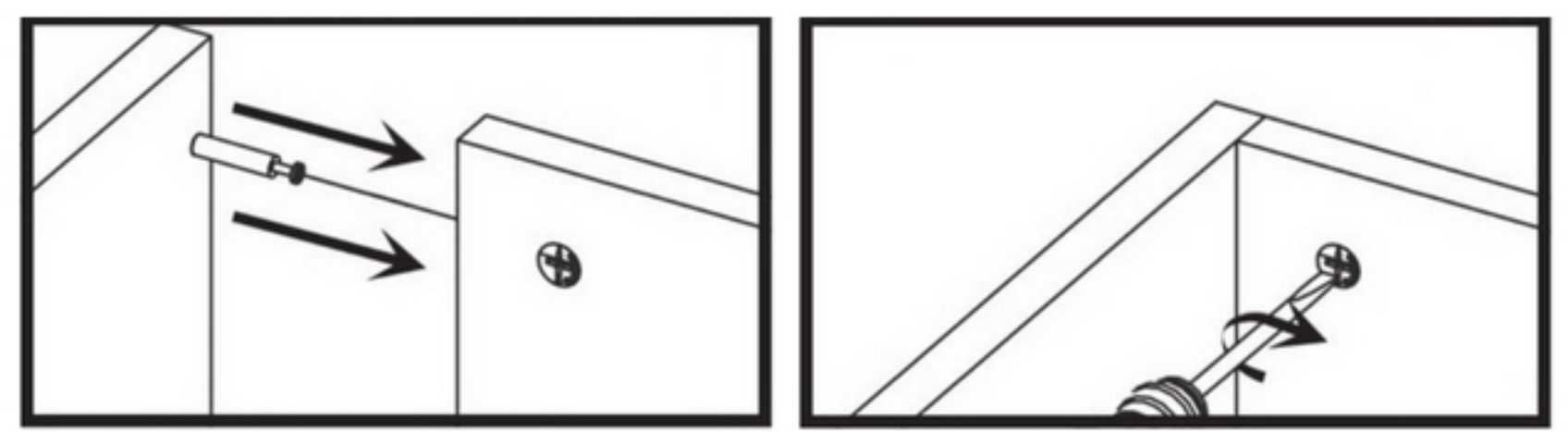
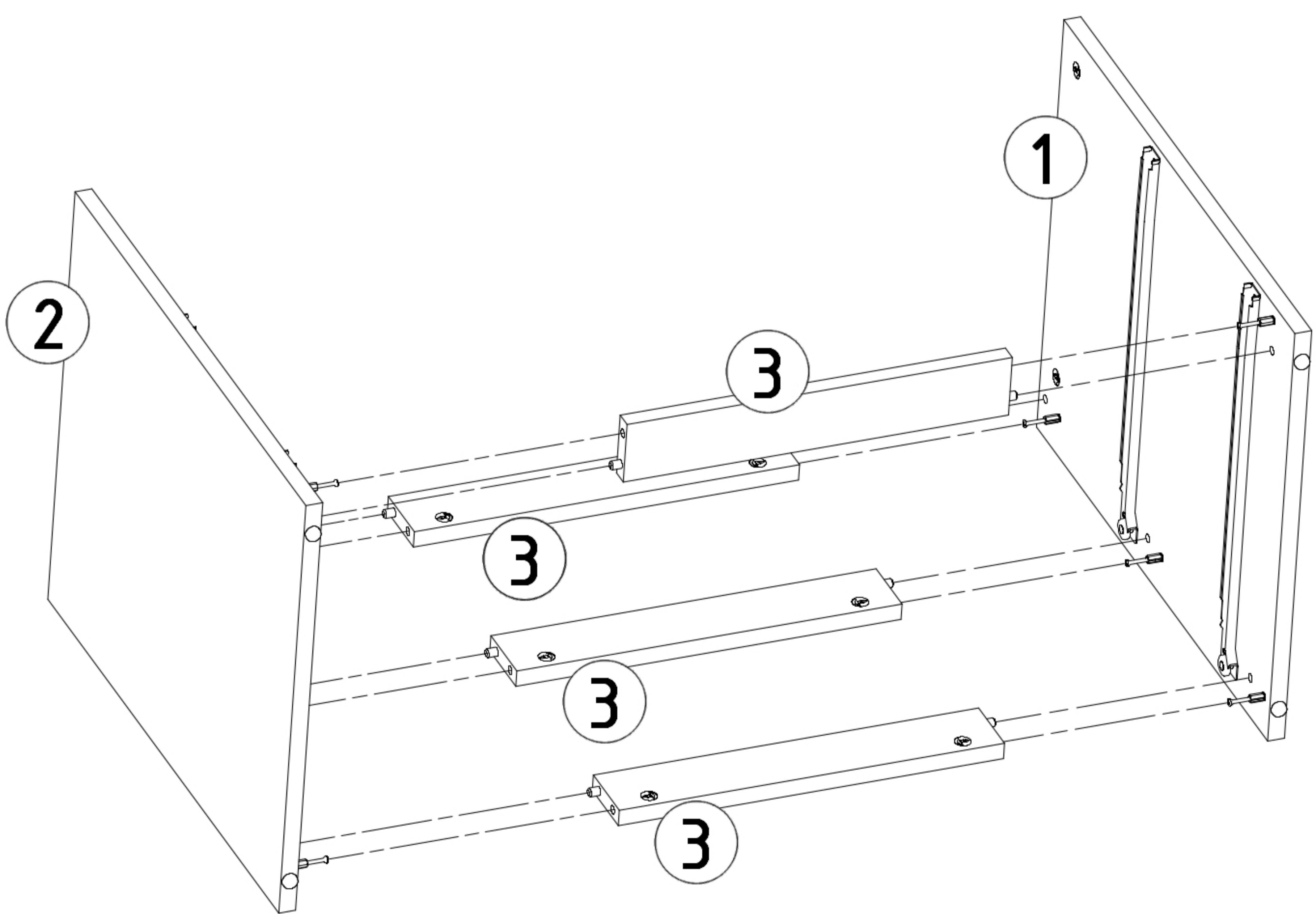
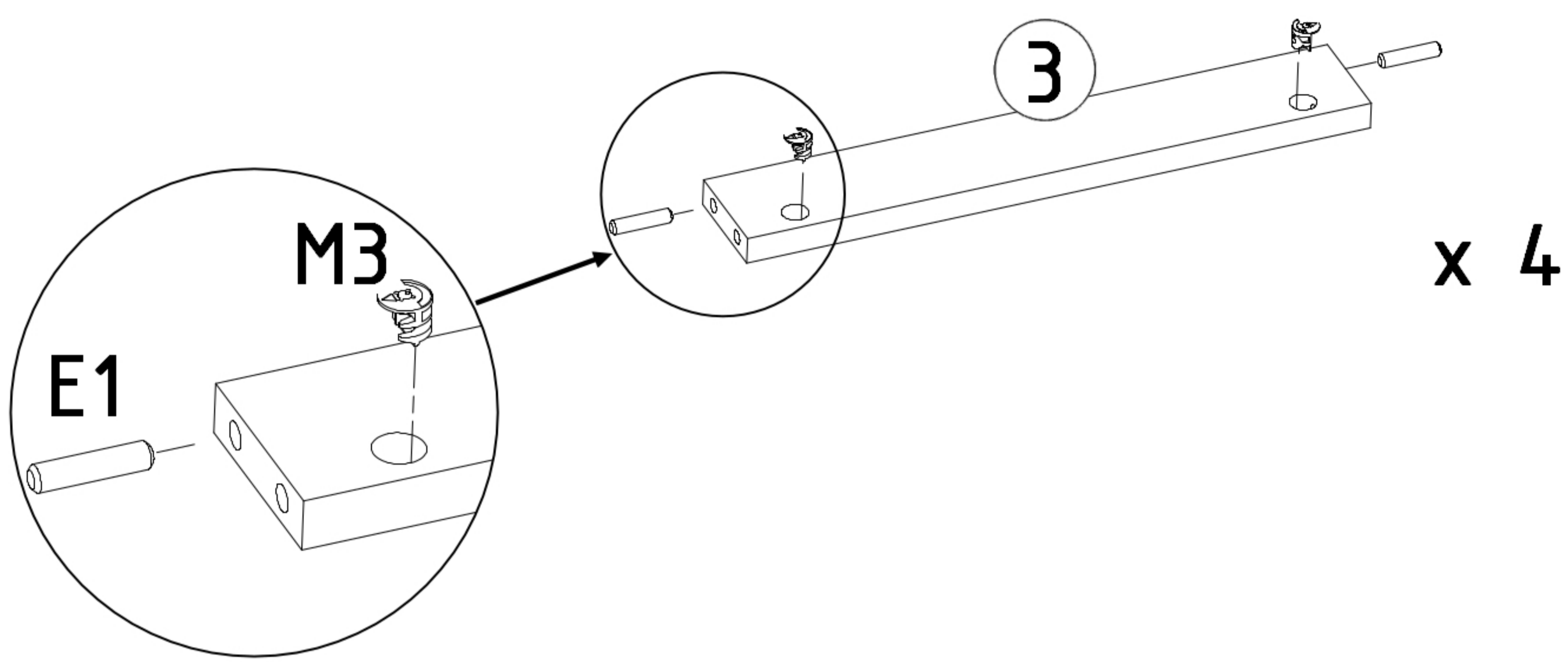
N2  30,3 x 4	M3  x 2	P3  L=400 x 2	S15  6x8 x 4	E1  8x35 x 2	T1  x 2
---	---	---	--	--	---



N2  30,3 x 4	M3  x 2	P3  L=400 x 2	S15  6x8 x 4	E1  8x35 x 2	T1  x 2
---	---	---	--	--	---



M3  x 8	E1  8x35 x 8
---	---

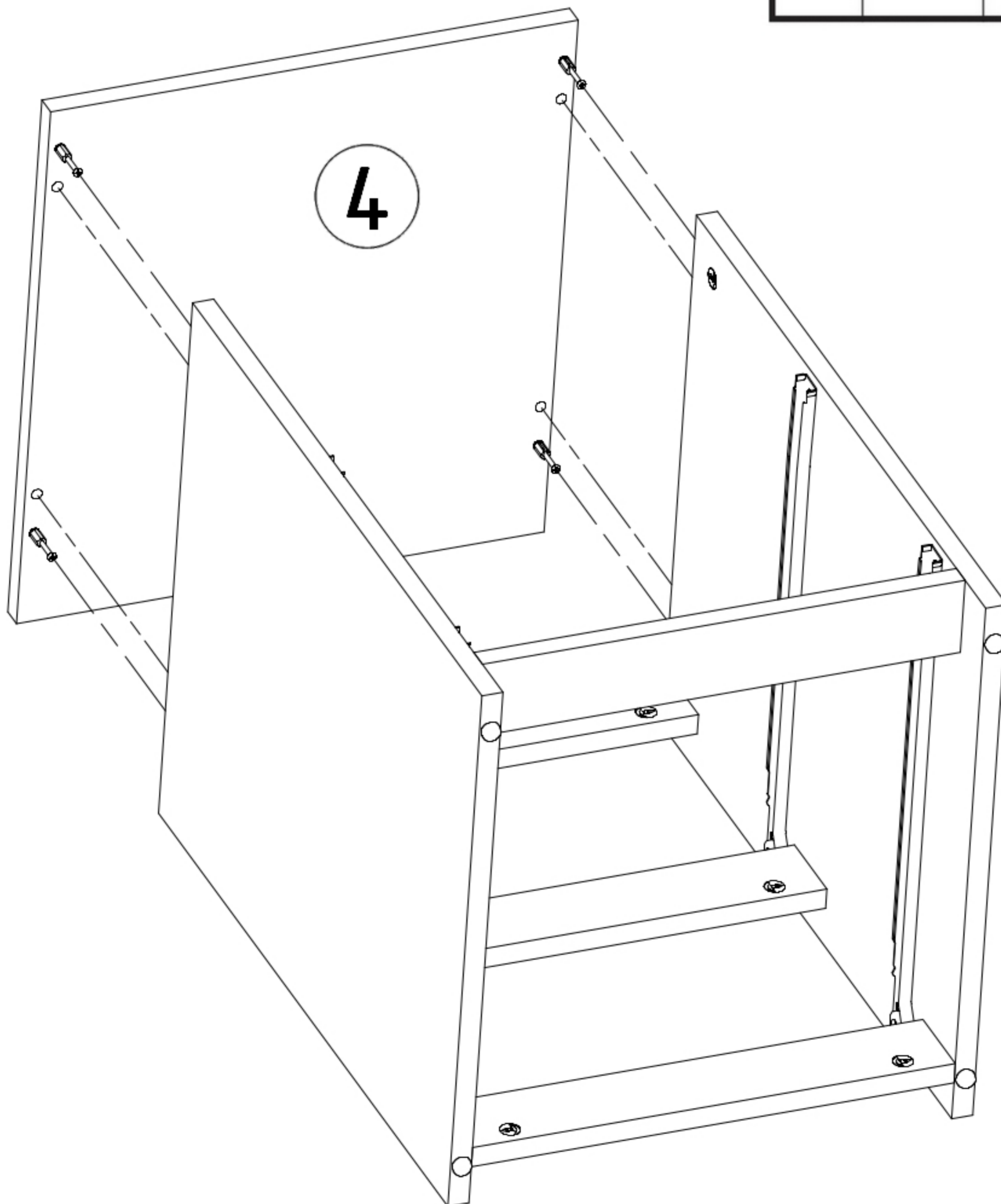
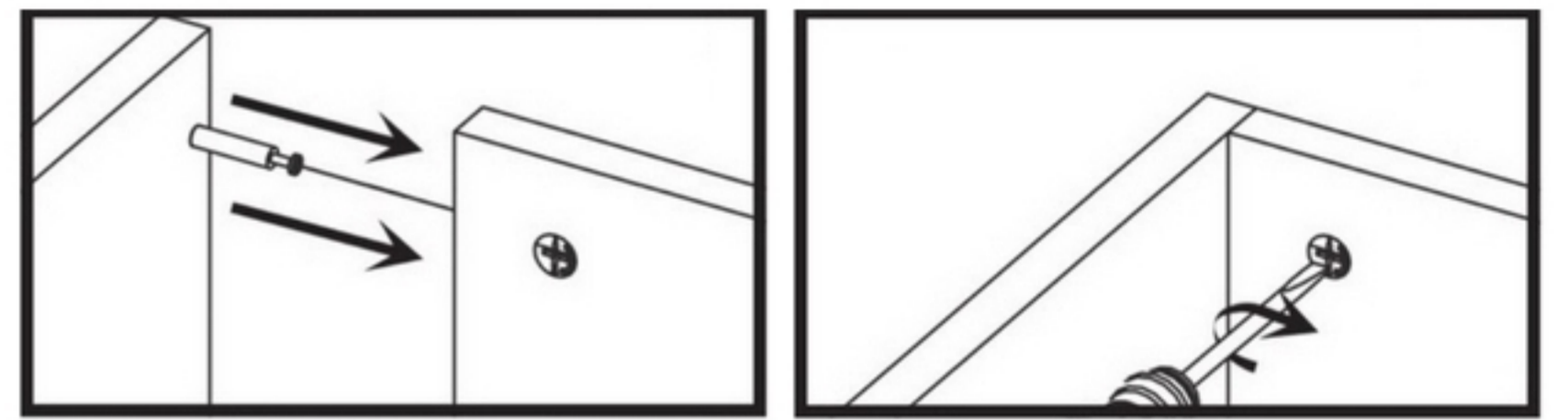
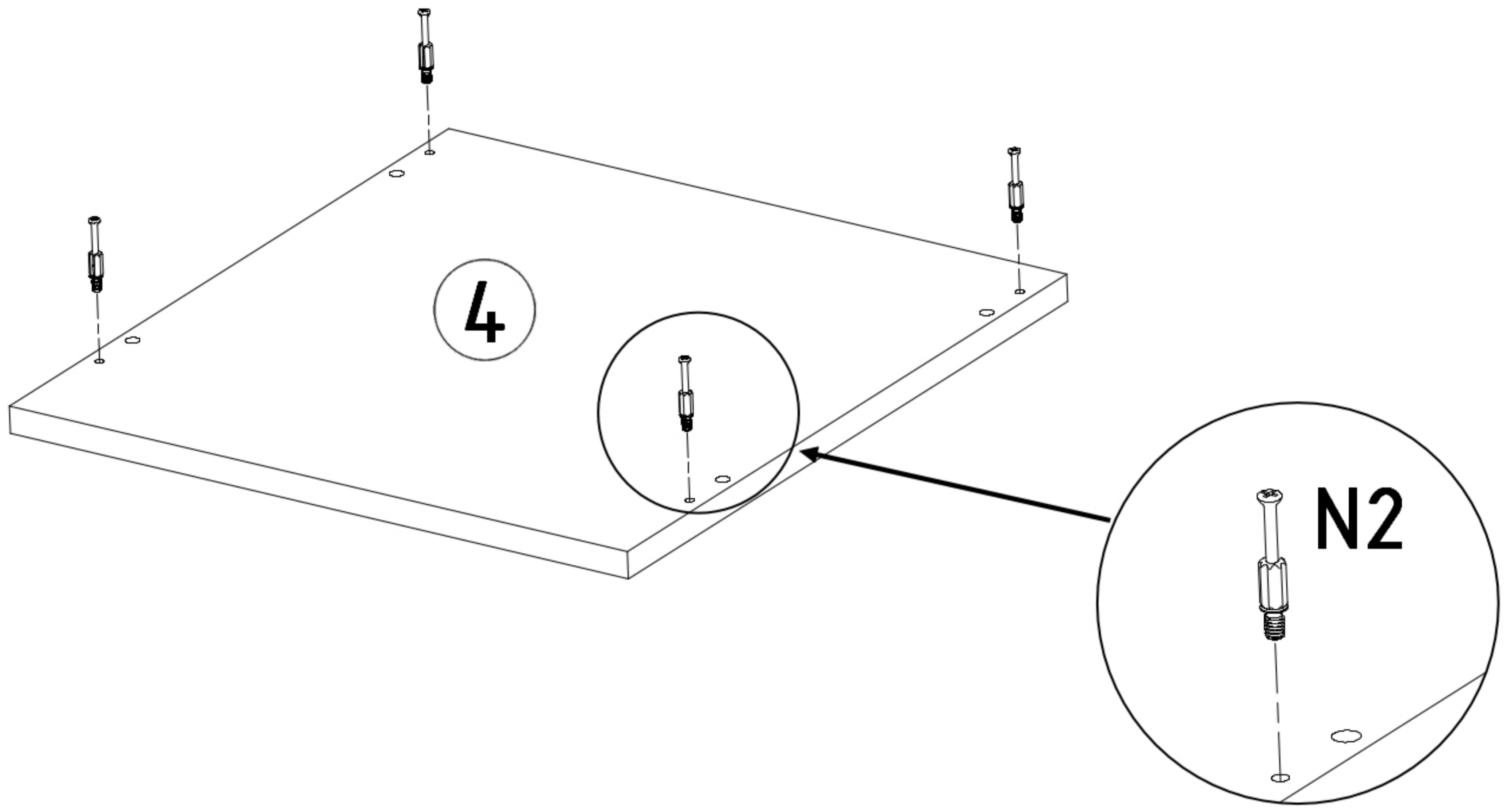


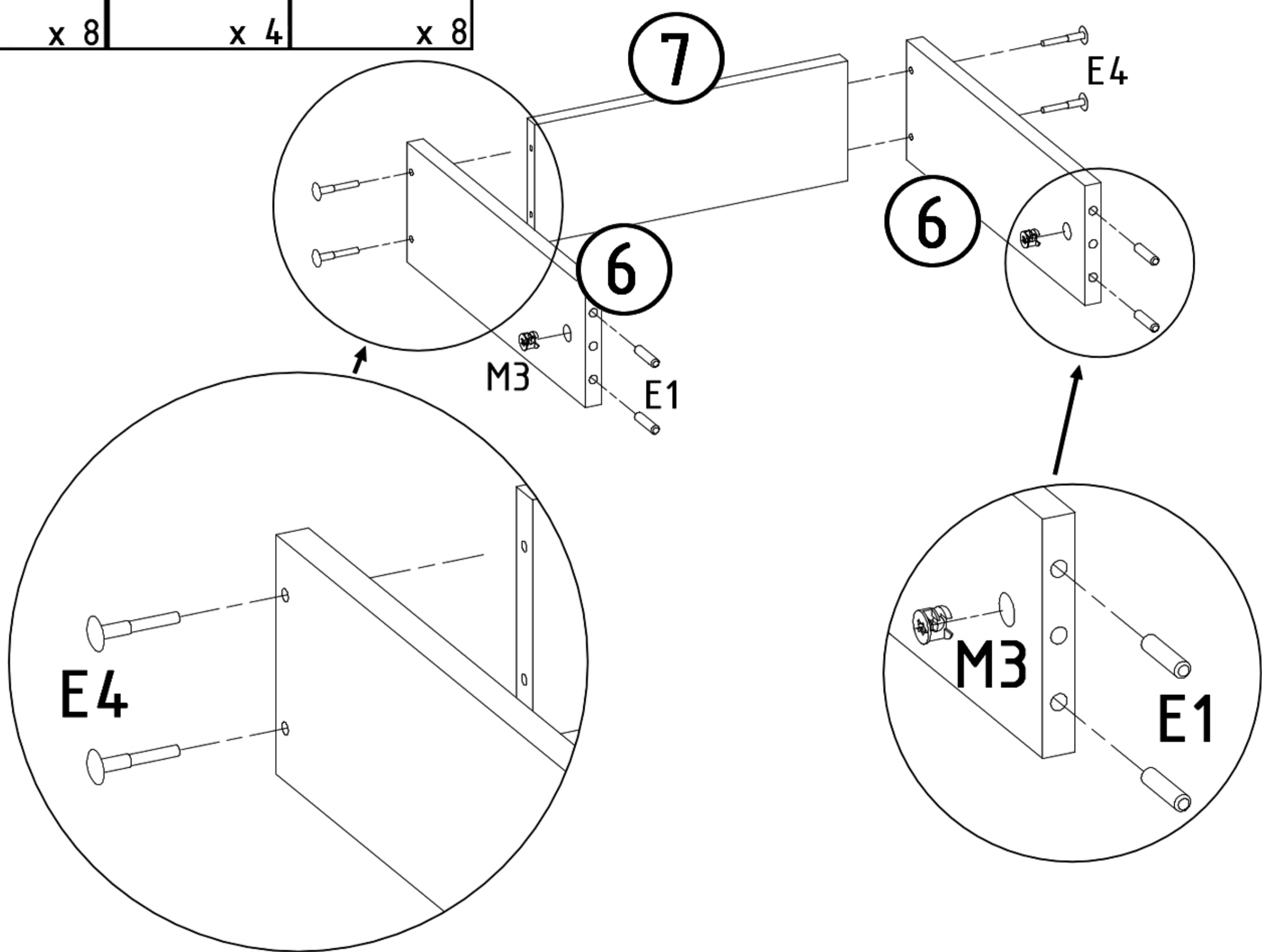
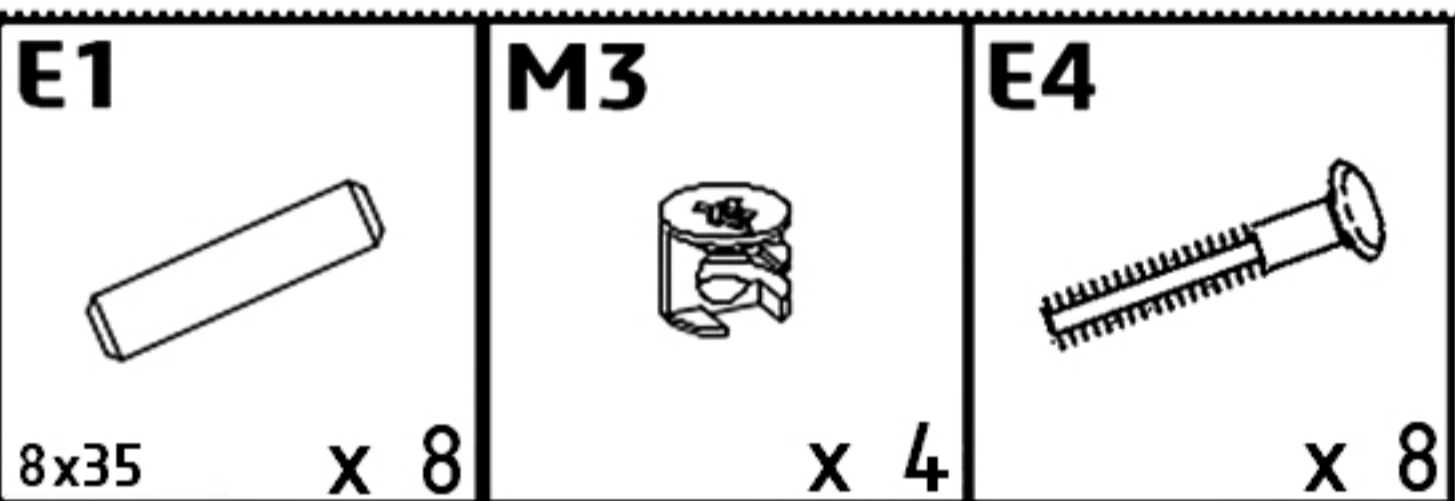
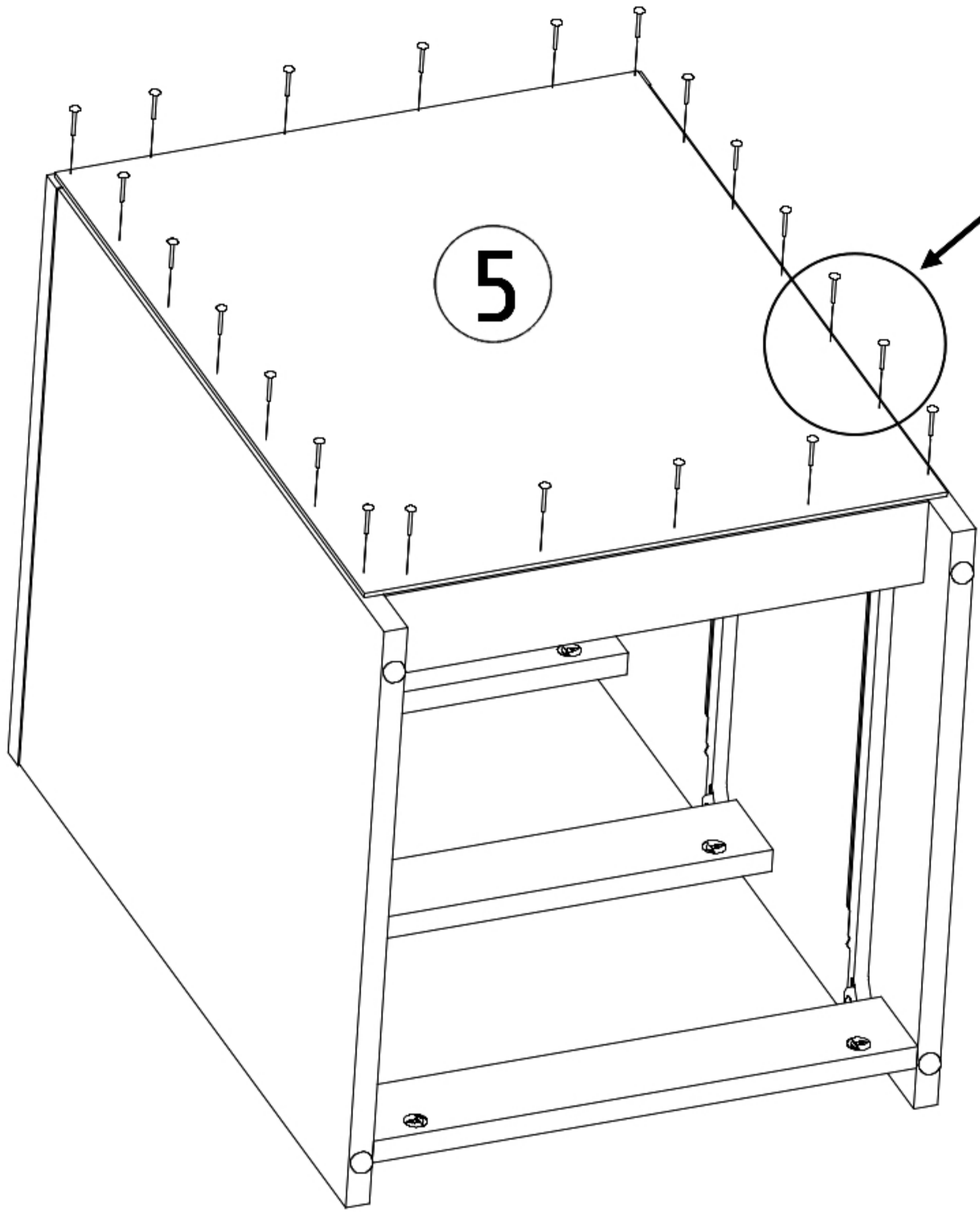
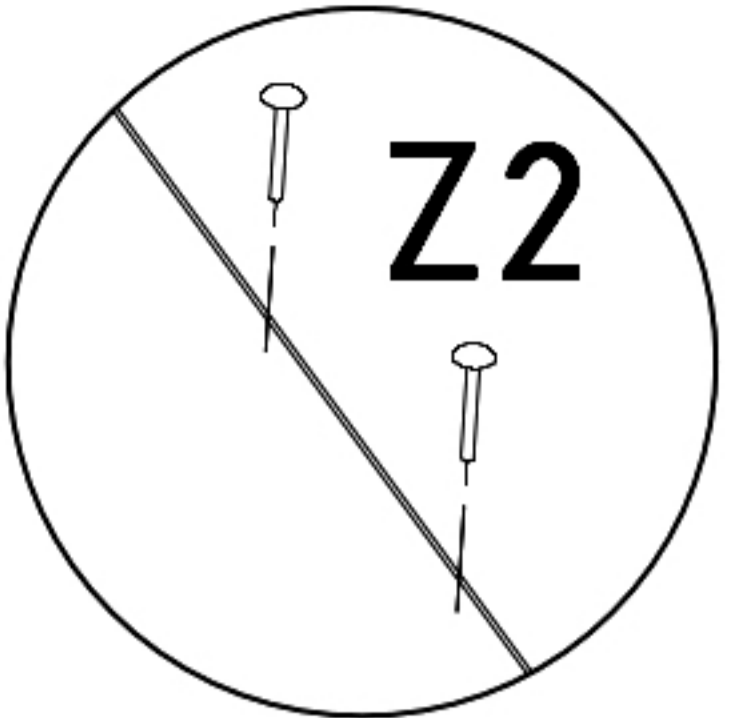
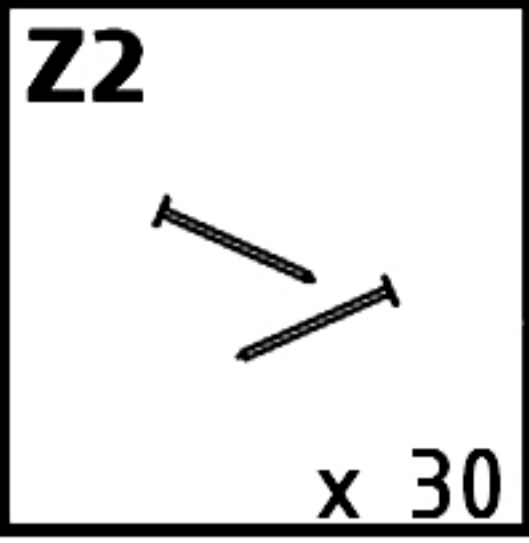
N2



30,3

x 4





x 2

