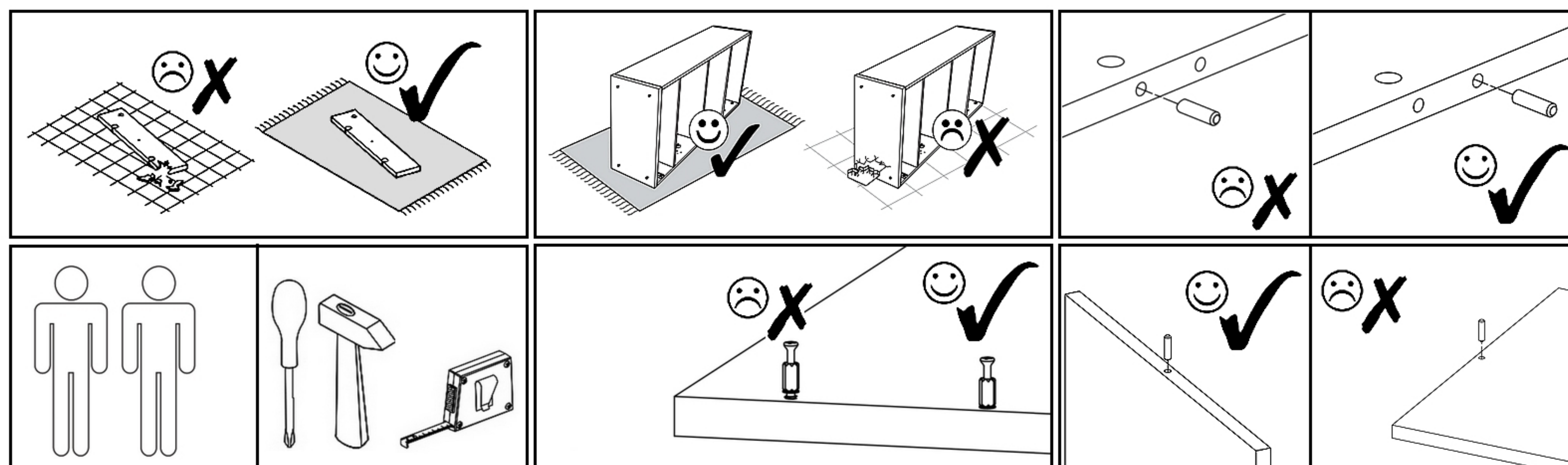
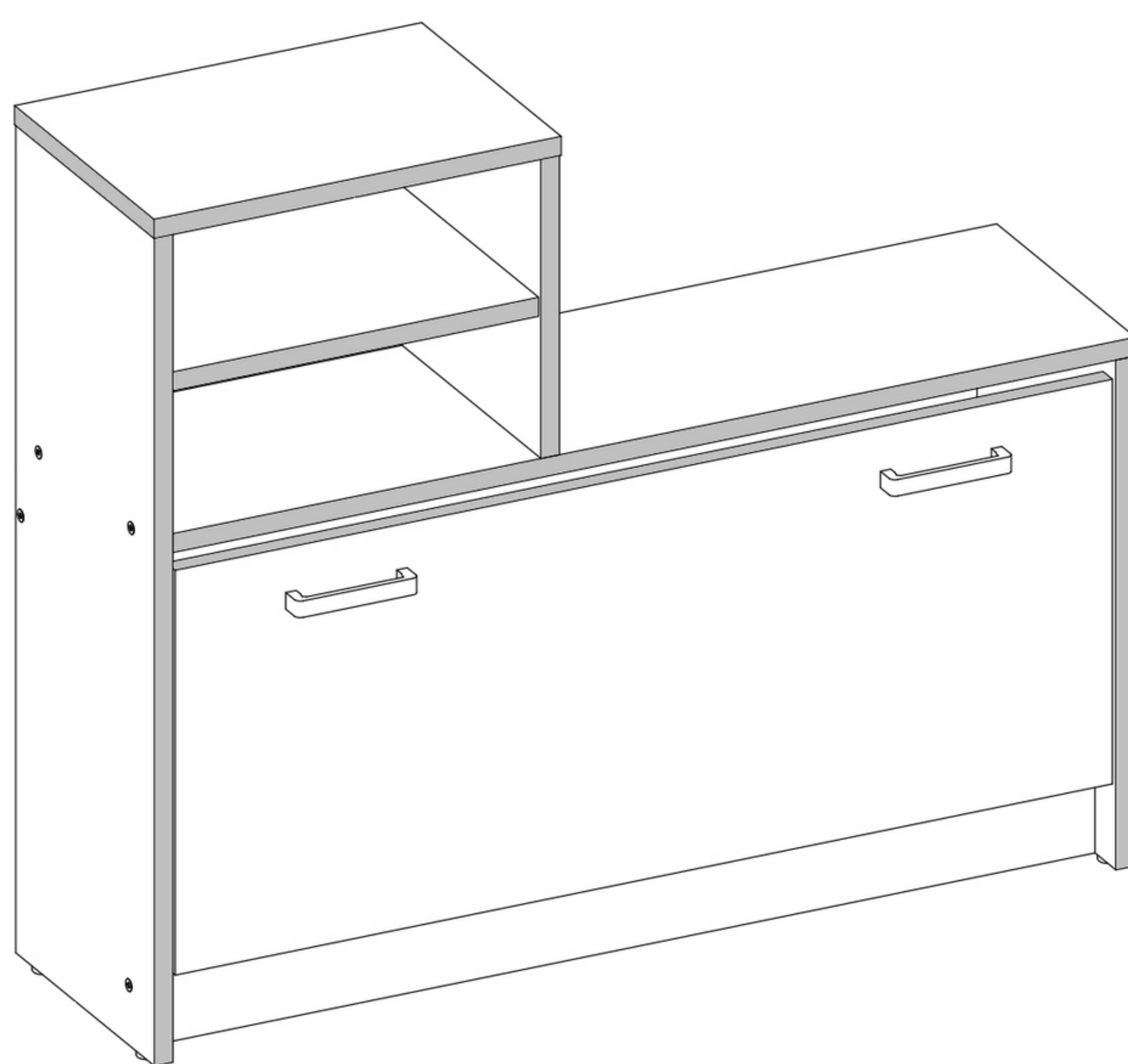
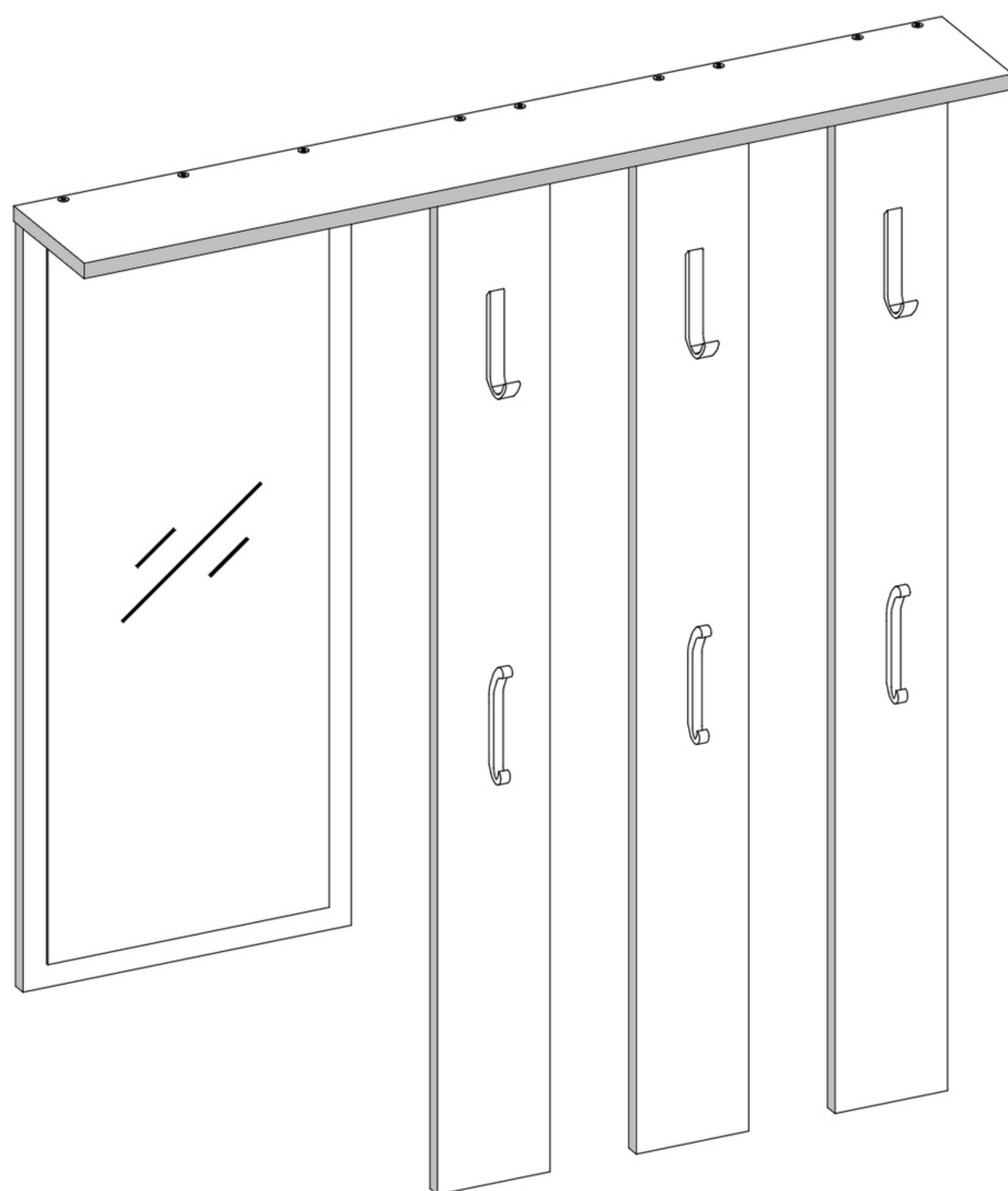
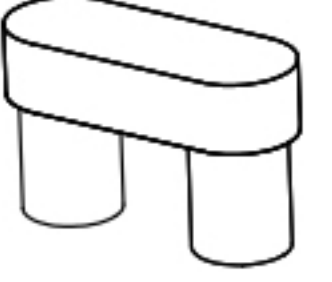


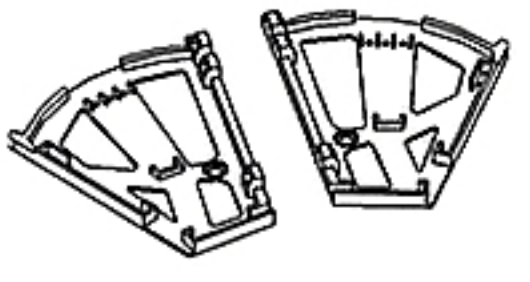

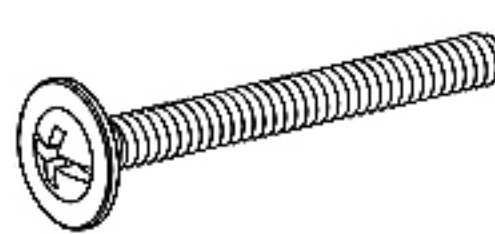
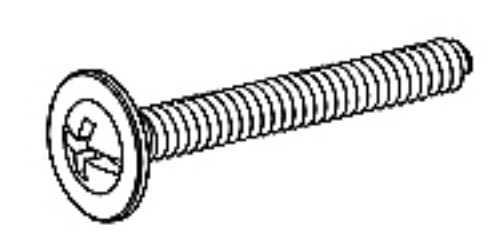
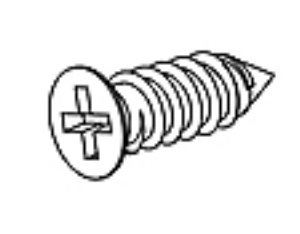

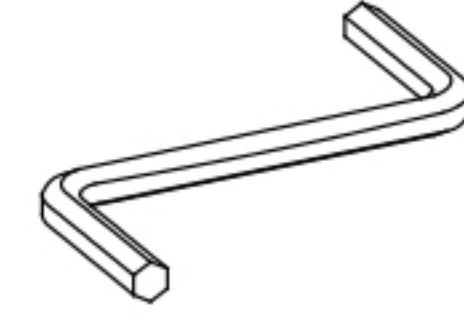
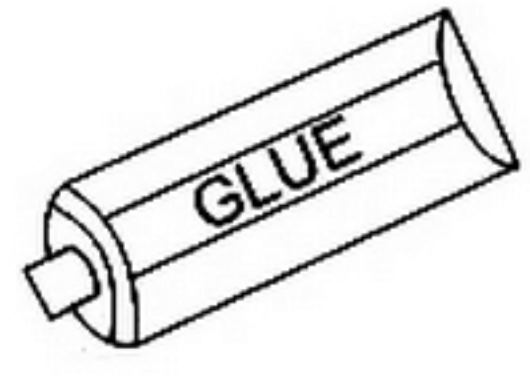
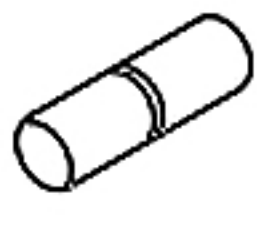


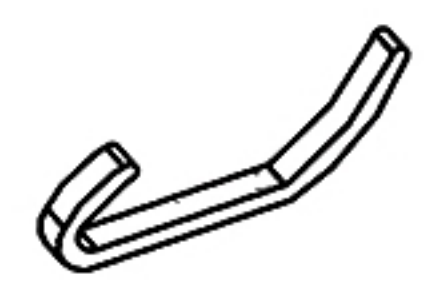
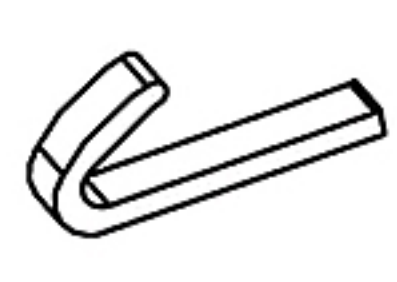

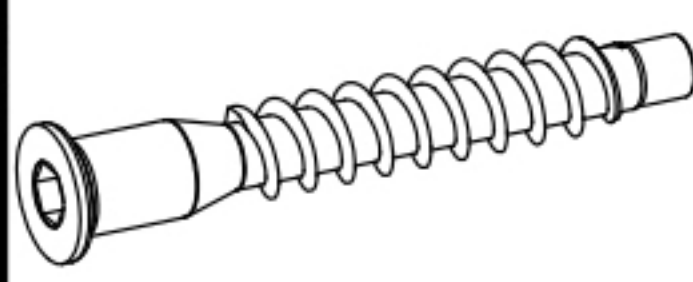
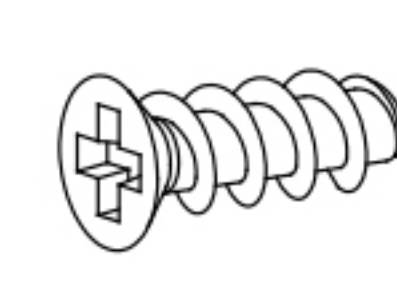



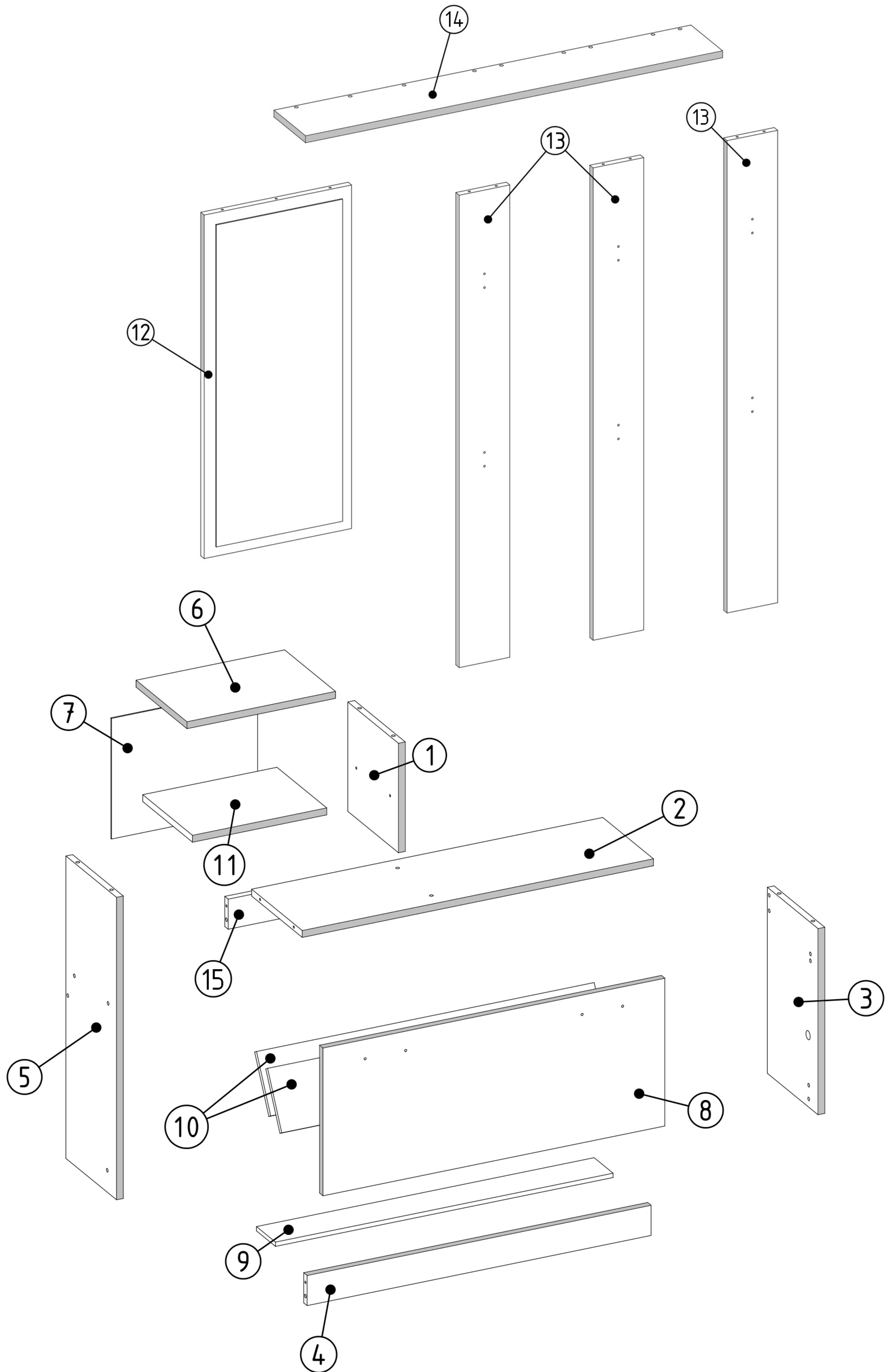
26/01/2022

VERA



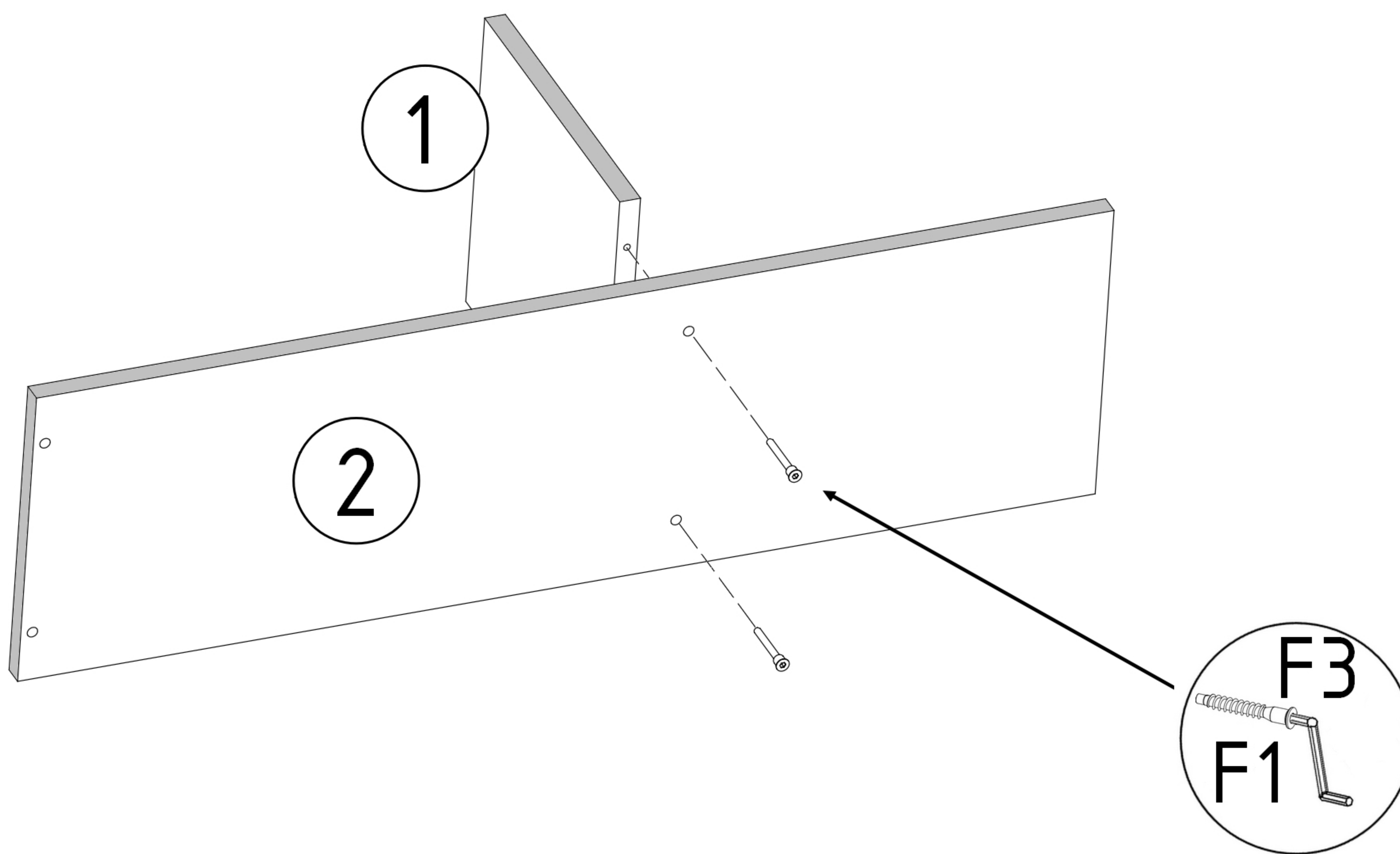
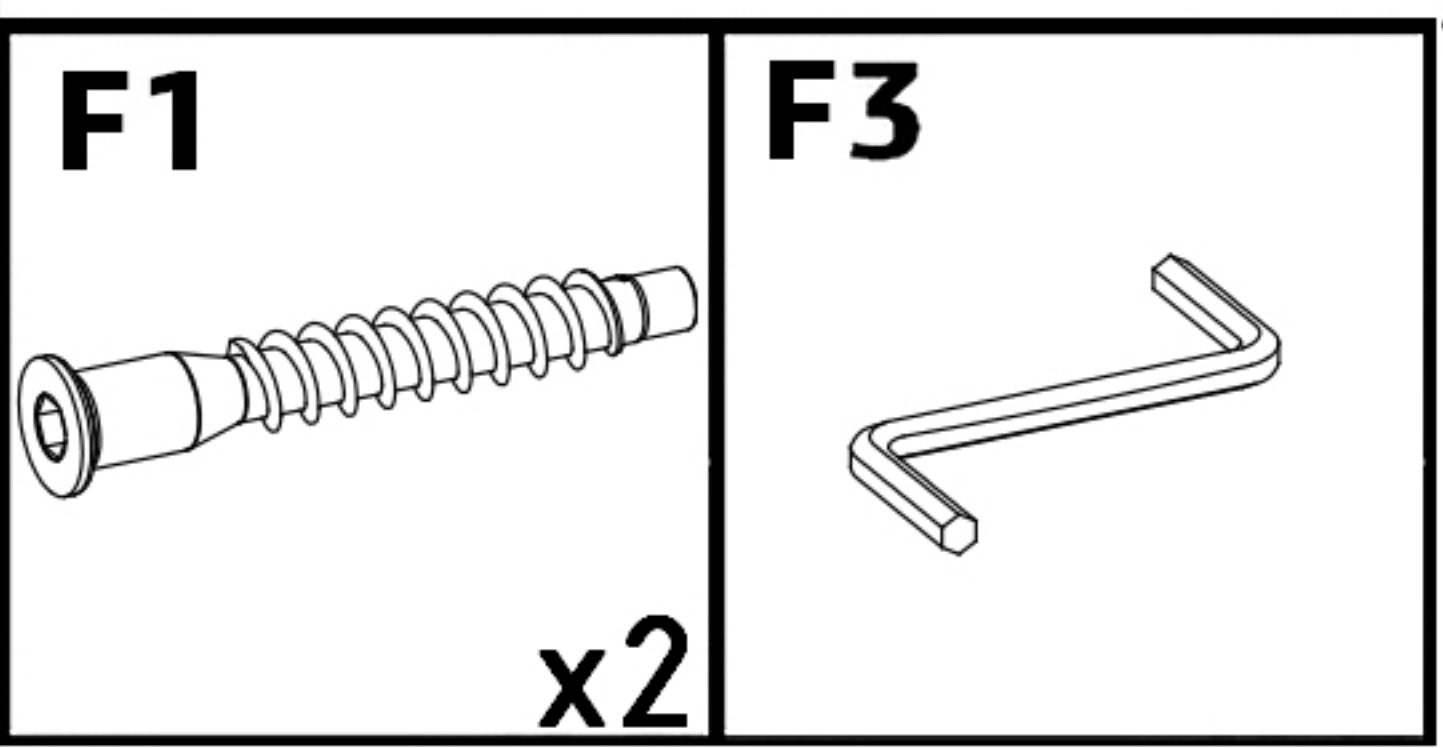
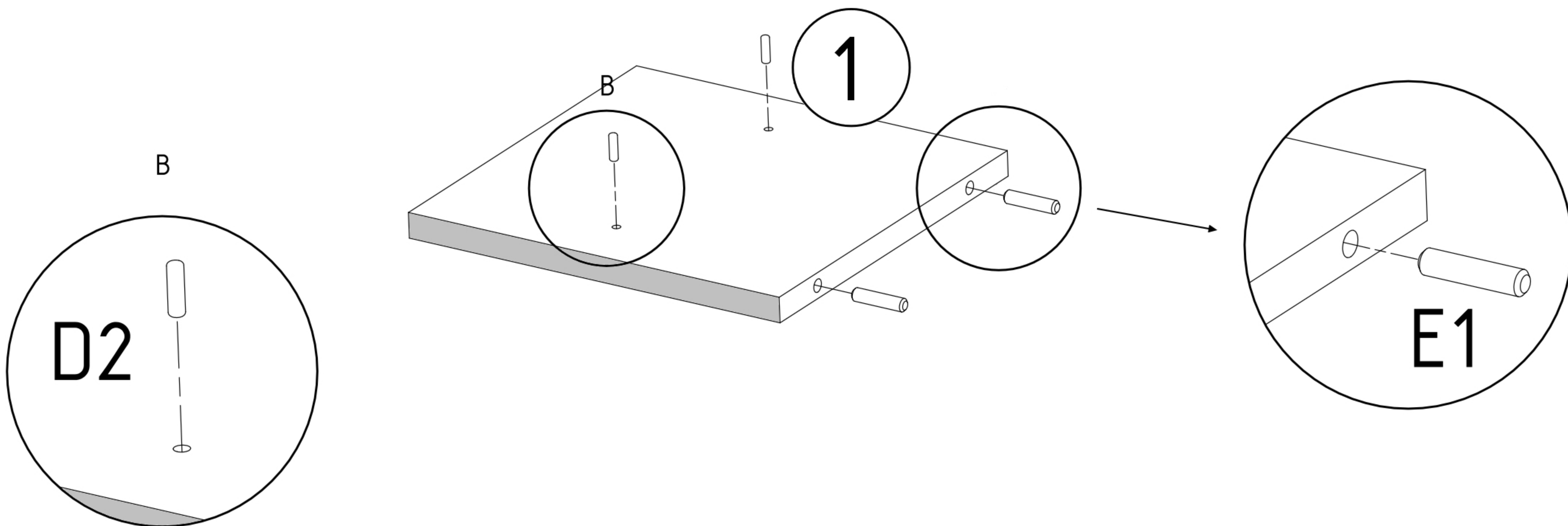
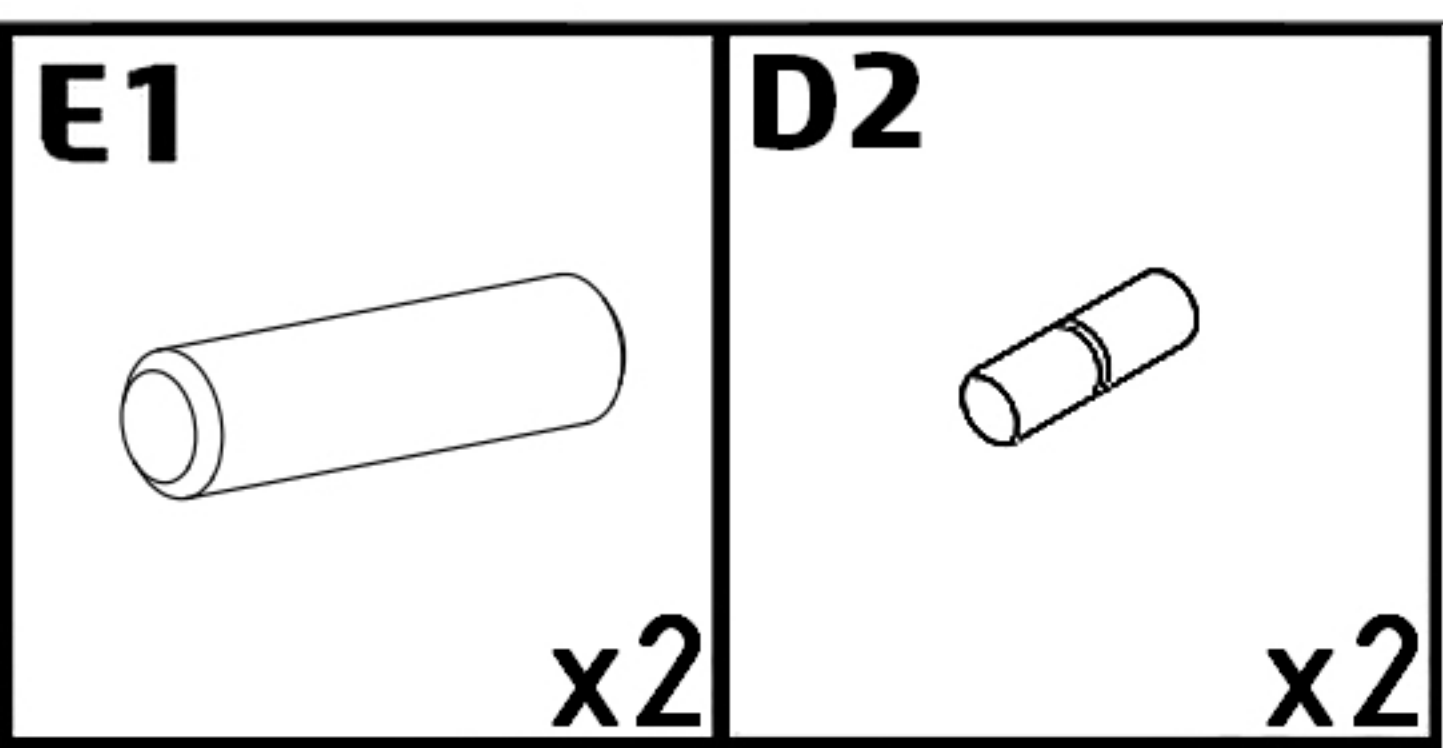
<b>A11</b>  x2	<b>A12</b>  x2	<b>A13</b>  x2	<b>A10</b>  x1				
<b>U1</b>  L=137mm x2	<b>P9</b>  4x30mm x4	<b>S3</b>  4x25mm x12	<b>S1</b>  3x20mm x6	<b>E1</b>  8x35mm x10	<b>F3</b>  x1	<b>K1</b>  GLUE x1	<b>D2</b>  5x16mm x4
<b>T1</b>  x4	<b>Z2</b>  x10	<b>L6</b>  L=120mm x3	<b>L5</b>  L=75mm x3	<b>D12</b>  ø34mm x2	<b>F1</b>  7x50mm x17	<b>S15</b>  6x13mm x8	<b>F2</b>  ø12mm x6



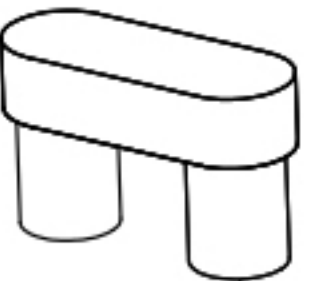

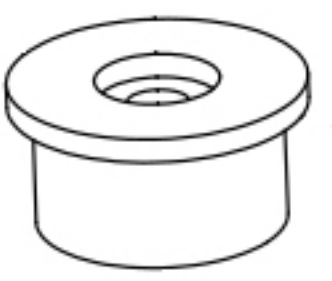
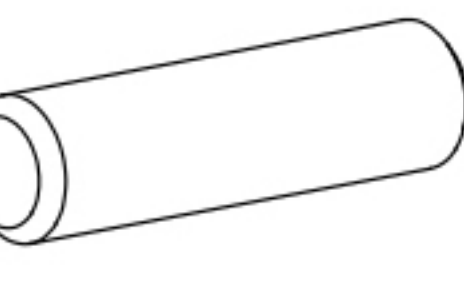



1	x	1
2	x	1
3	x	1
4	x	1
5	x	1
6	x	1
7	x	1
8	x	1

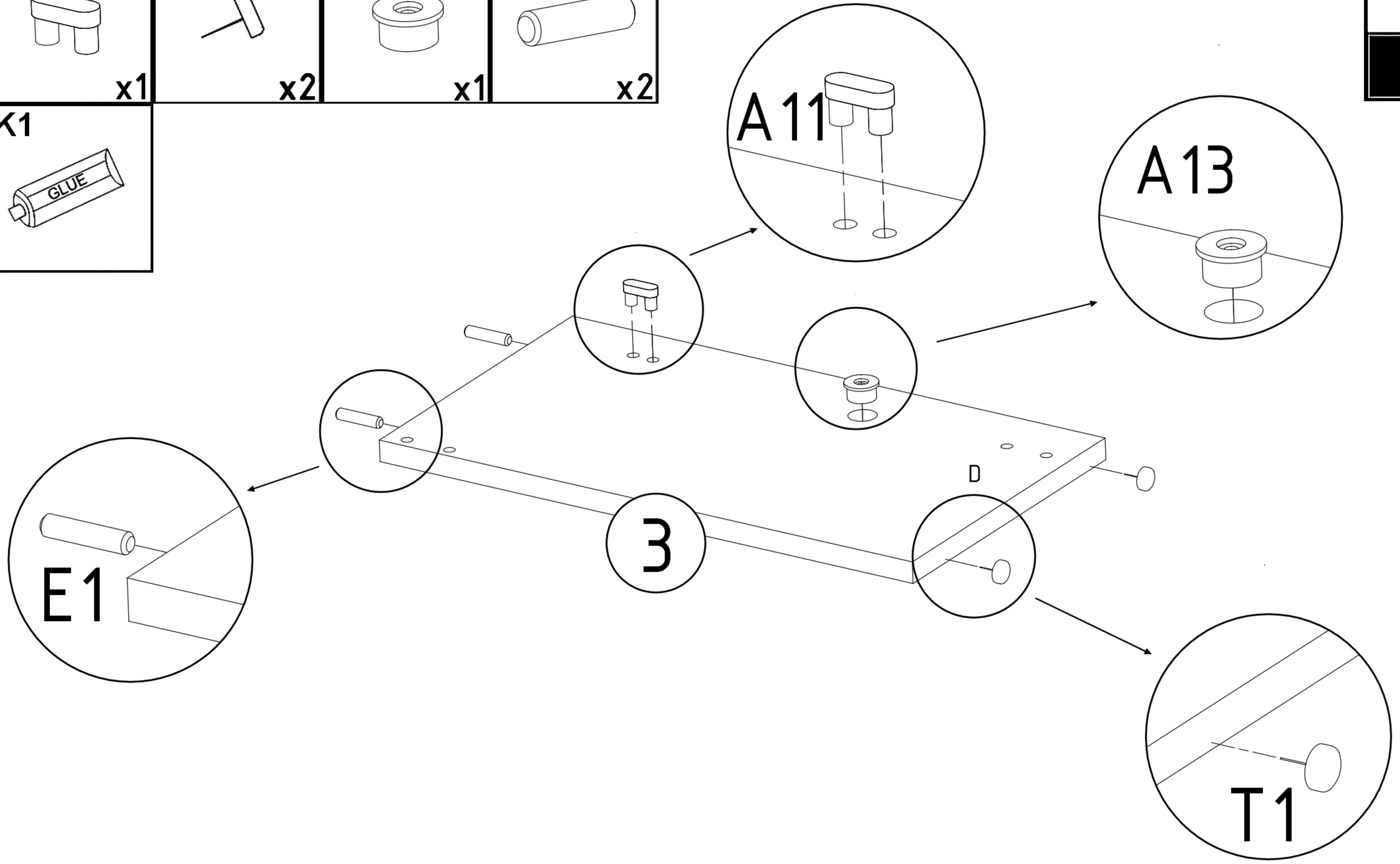
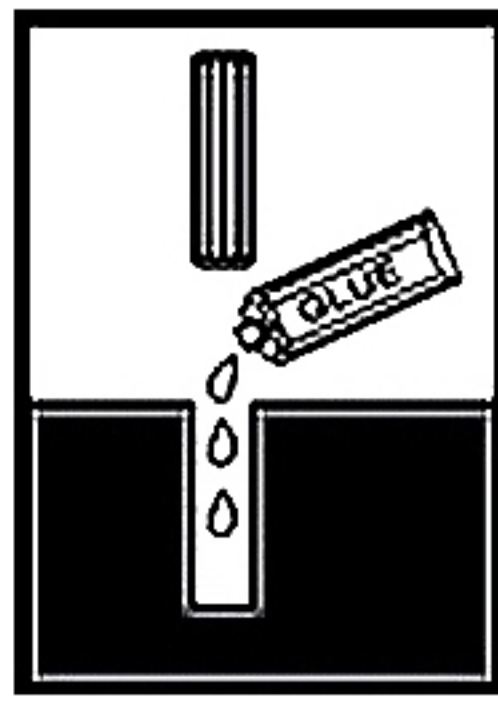
9	x	1
10	x	2
11	x	1
12	x	1
13	x	3
14	x	1
15	x	1




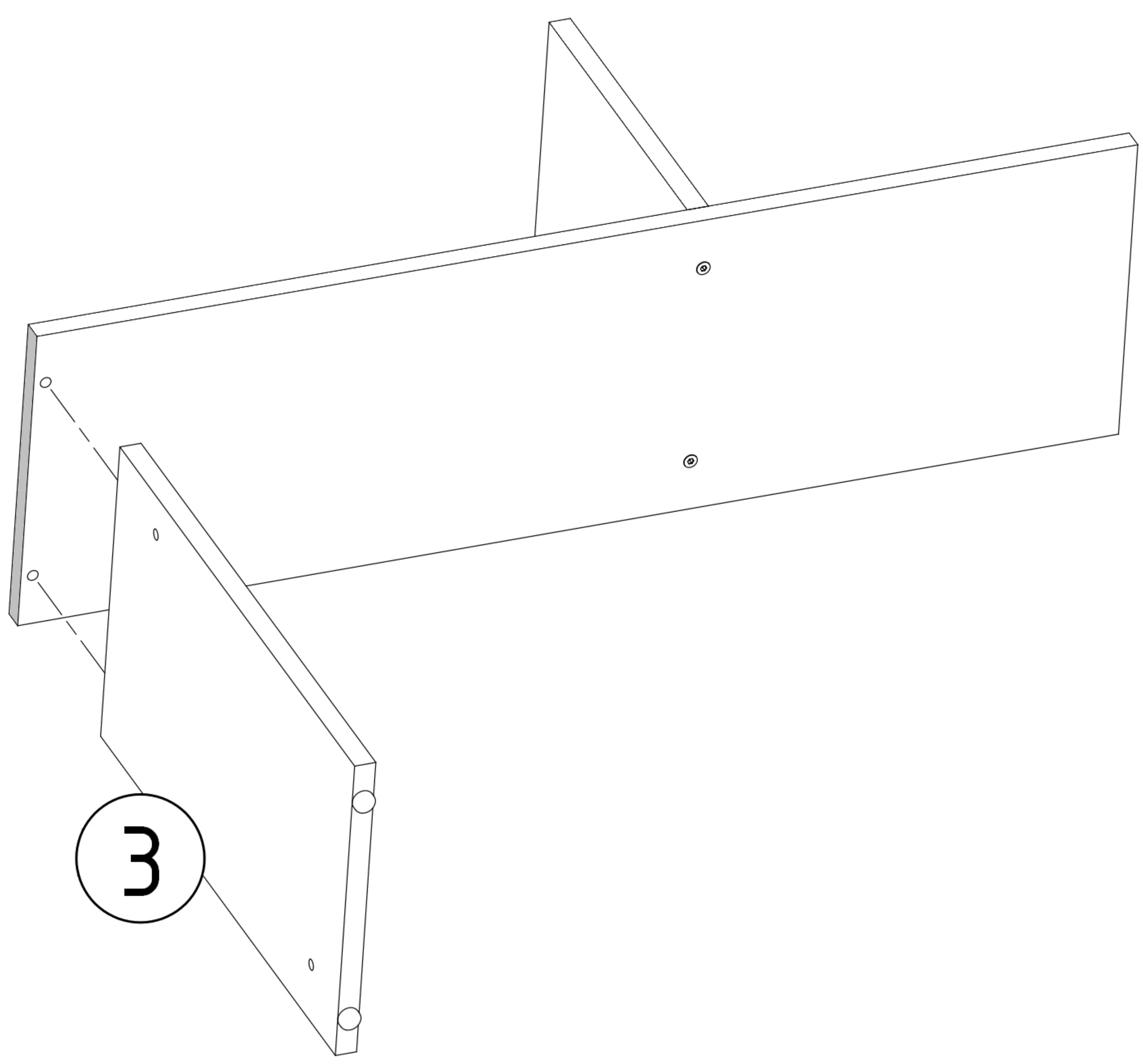
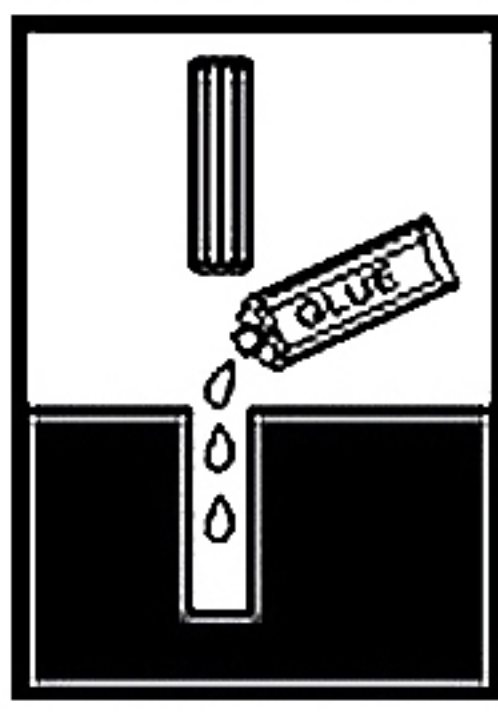


<b>A11</b>  x1	<b>T1</b>  x2	<b>A13</b>  x1	<b>E1</b>  x2
--	--	---	--

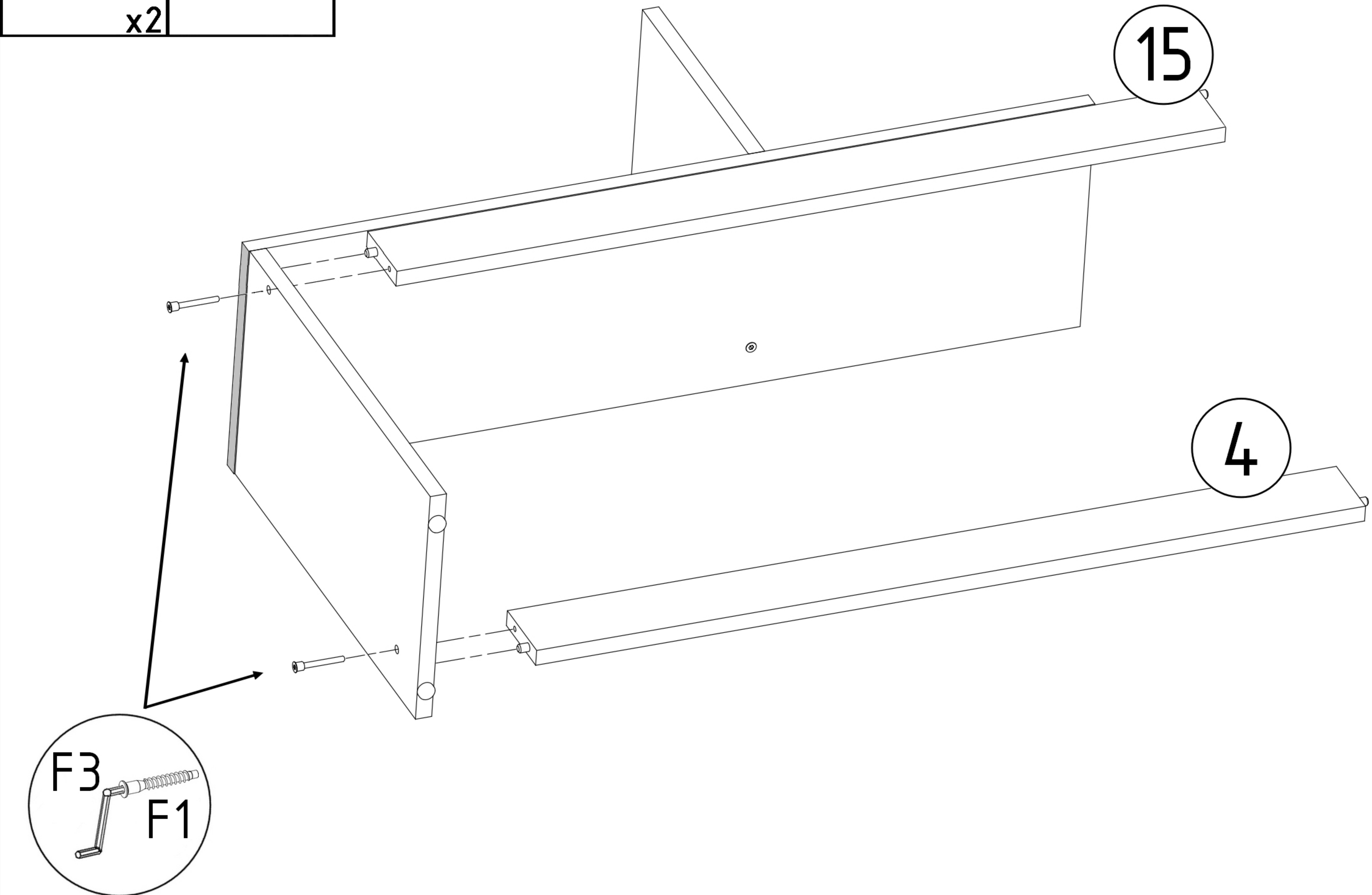
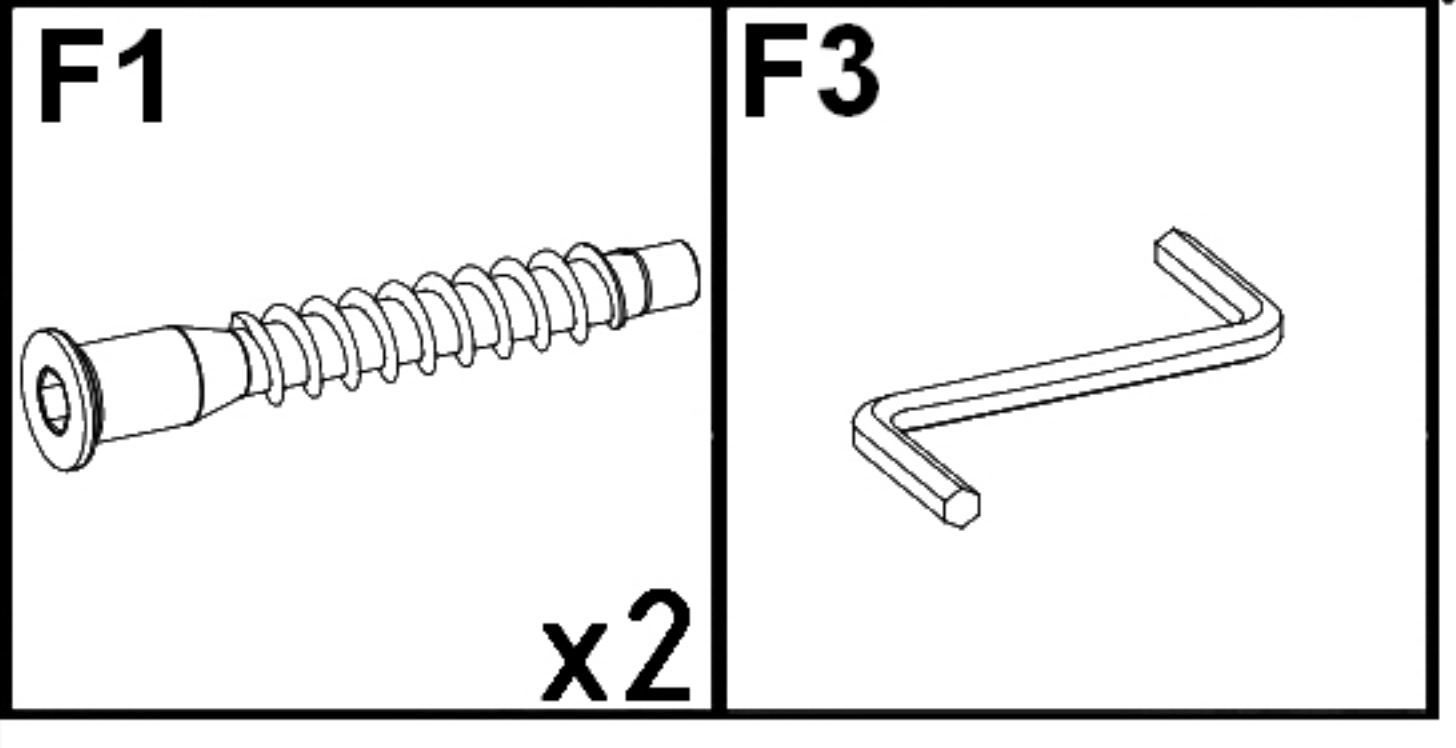
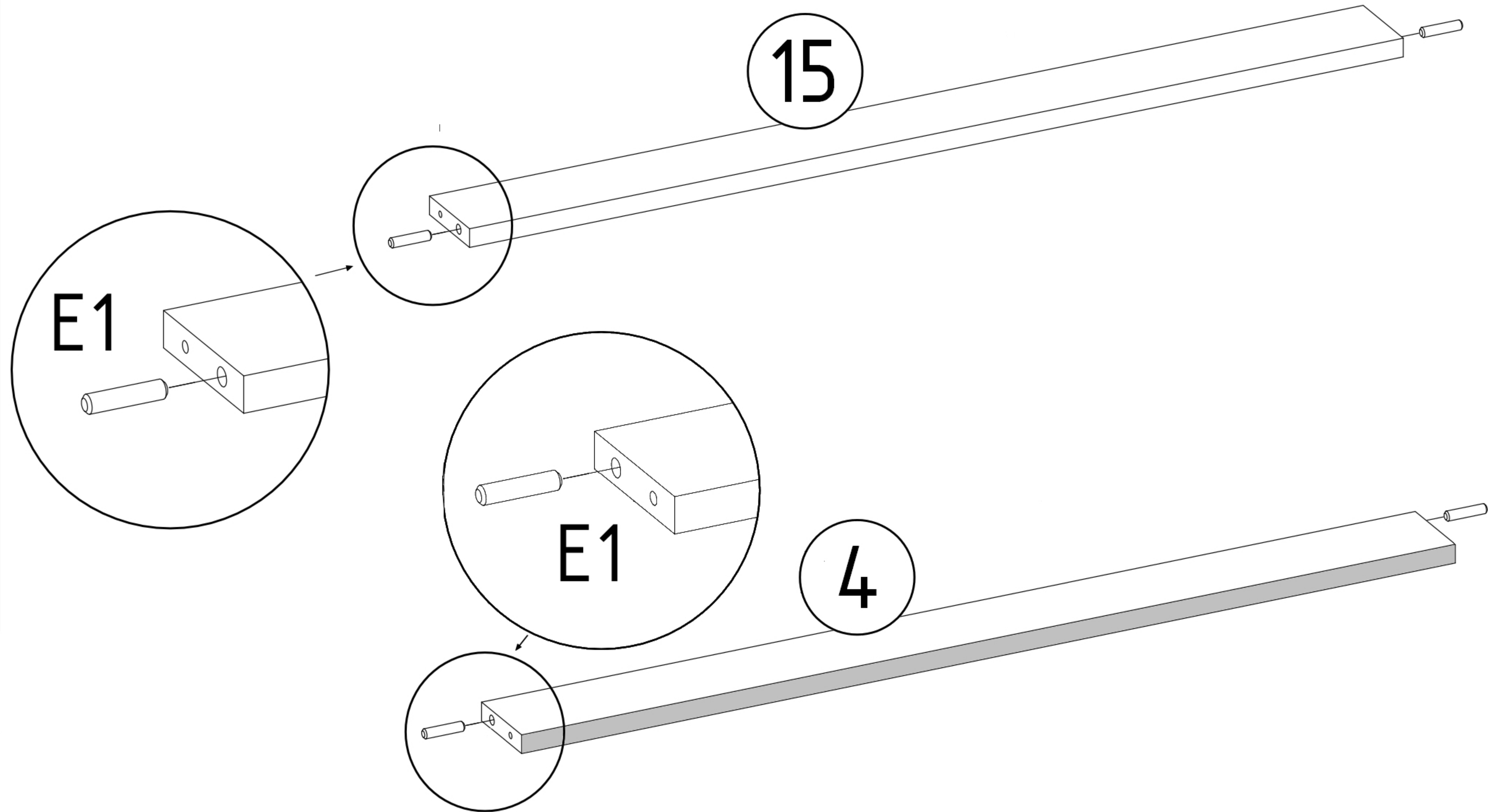
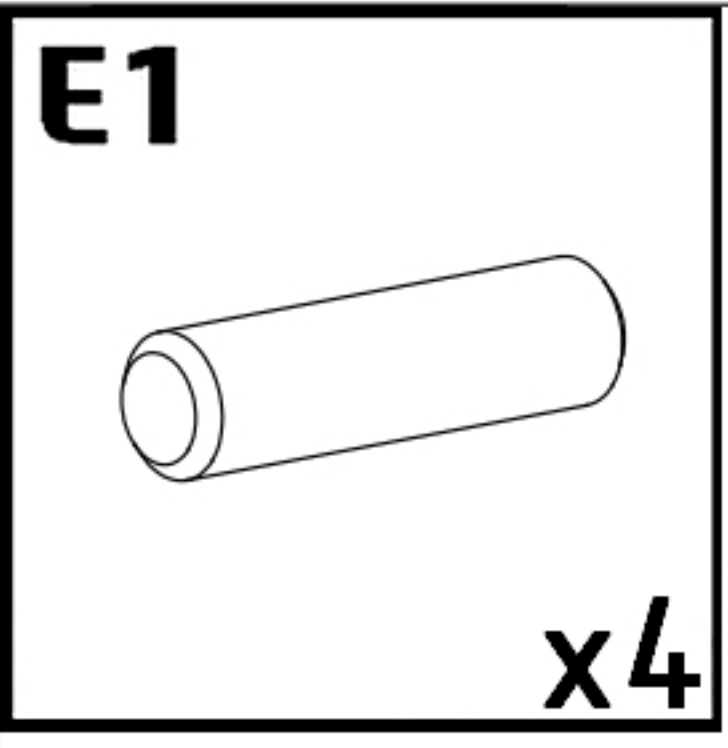
**K1**  




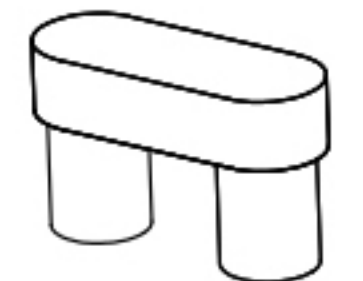

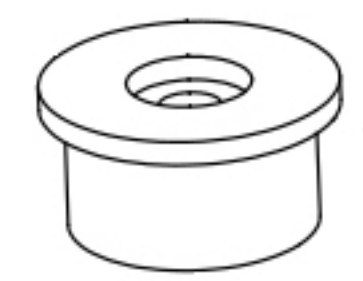
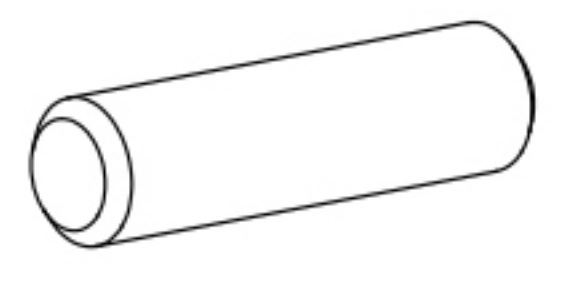
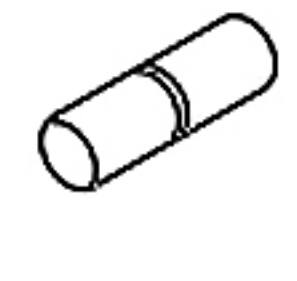
**K1**  


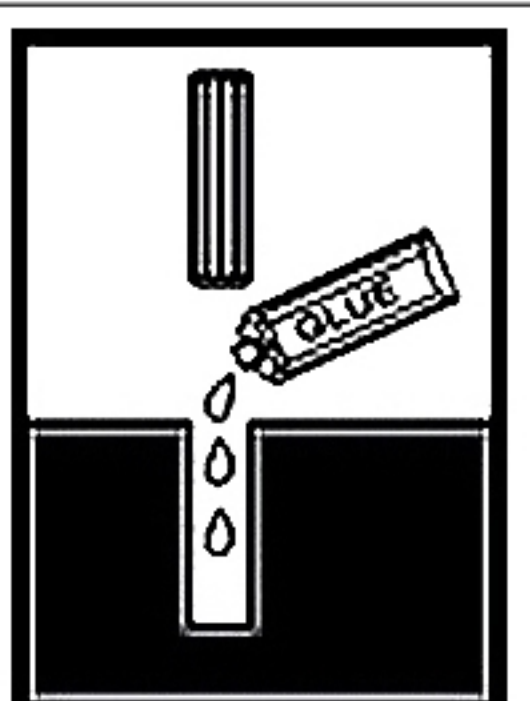





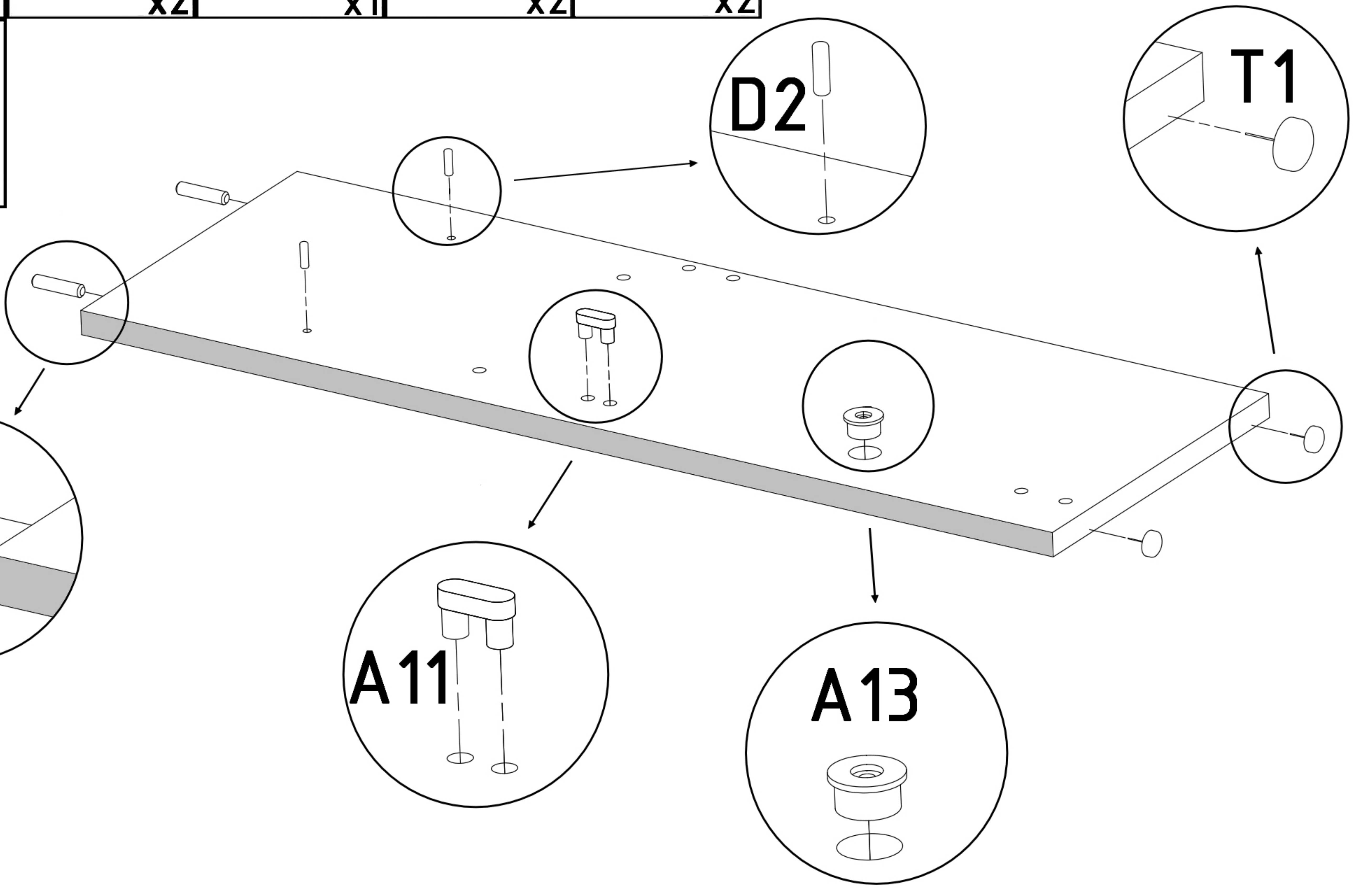


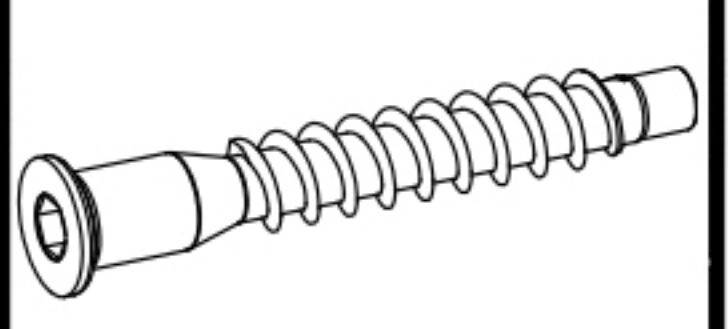
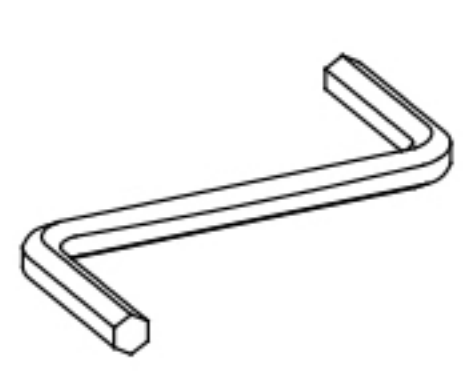


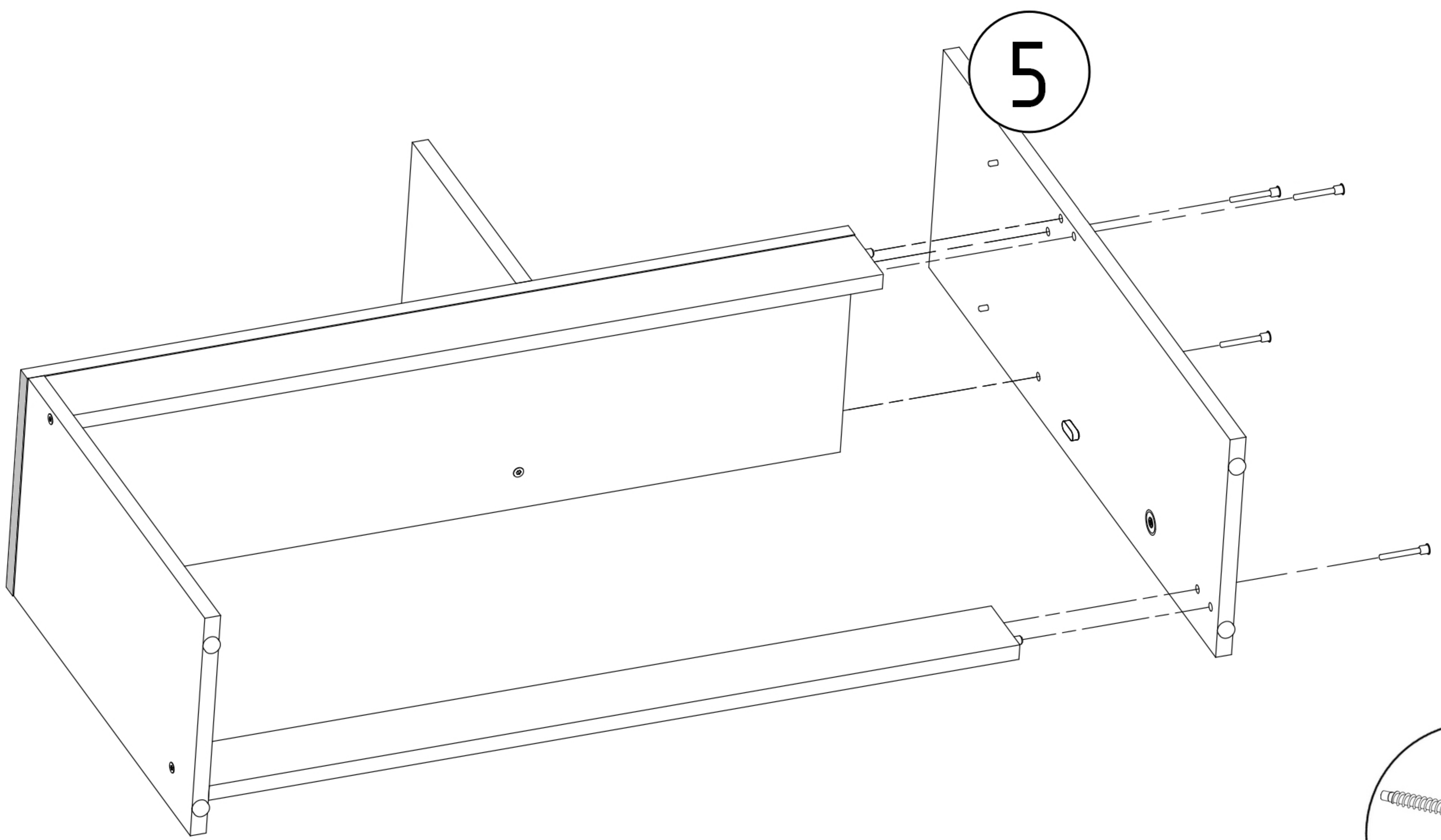
<b>A11</b>  x1	<b>T1</b>  x2	<b>A13</b>  x1	<b>E1</b>  x2	<b>D2</b>  x2
--	--	---	--	--

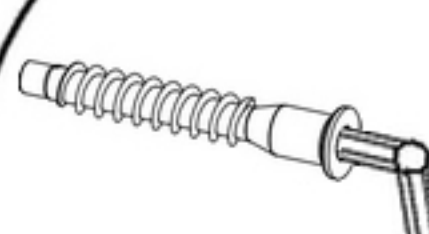



<b>K1</b> 
---



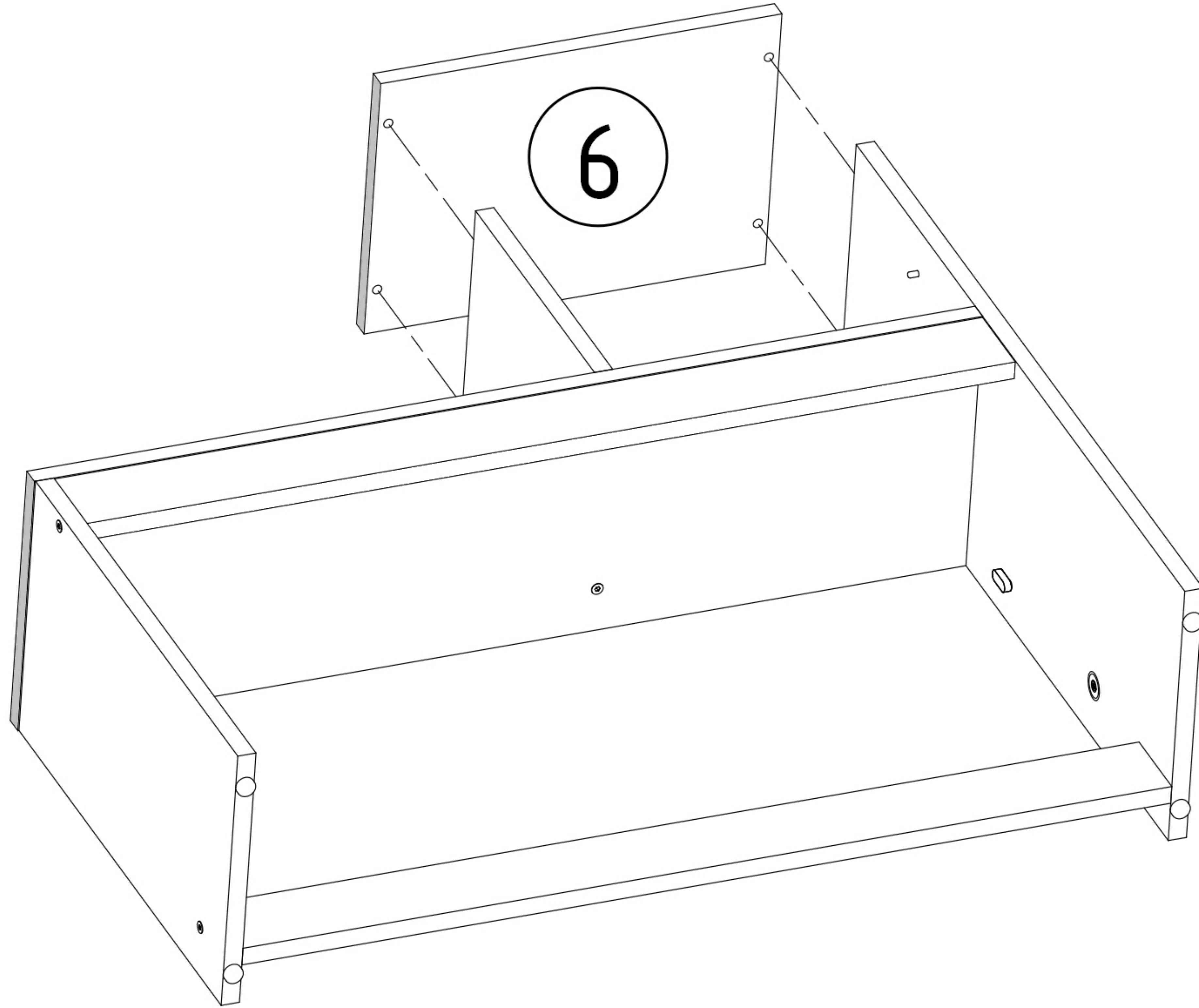
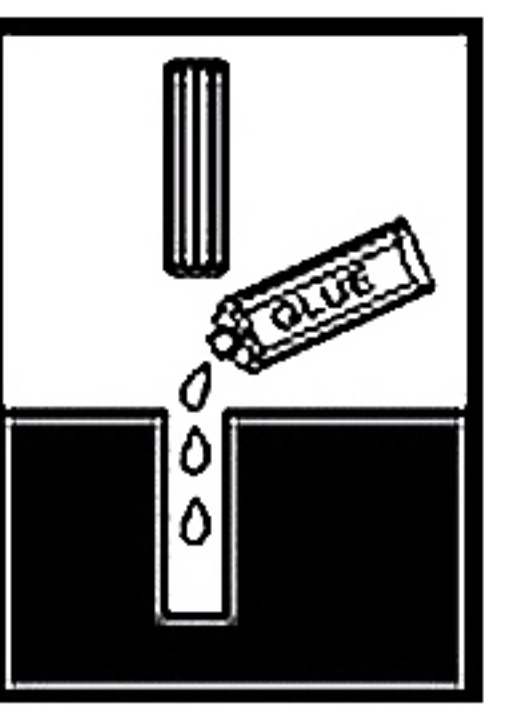
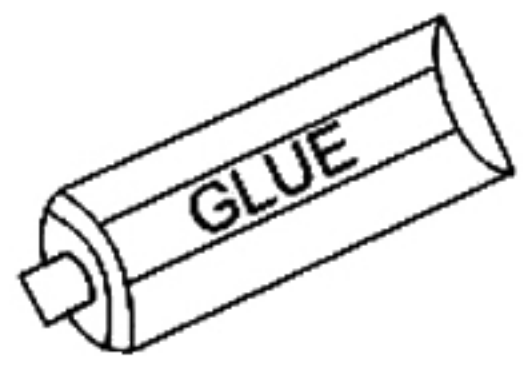
<b>F1</b>  x4	<b>F3</b> 
---	--



	<b>F3</b>
<b>F1</b>	



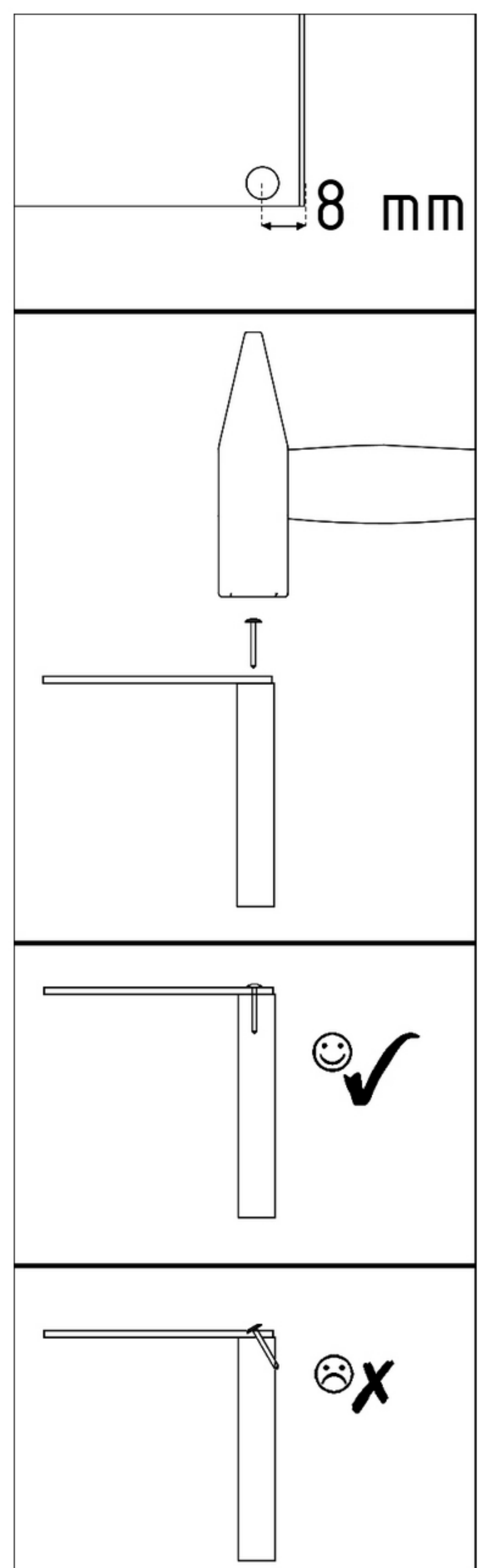
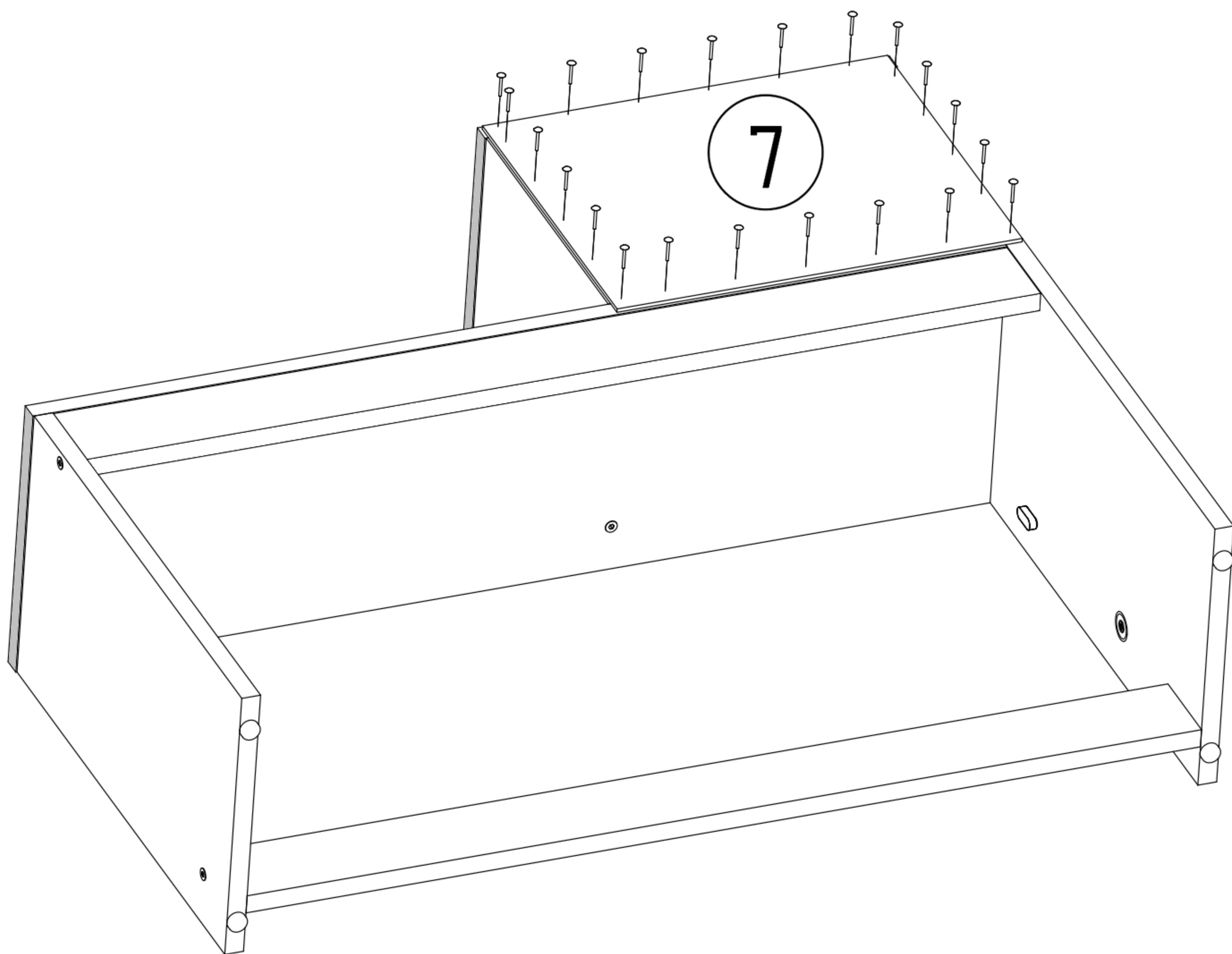
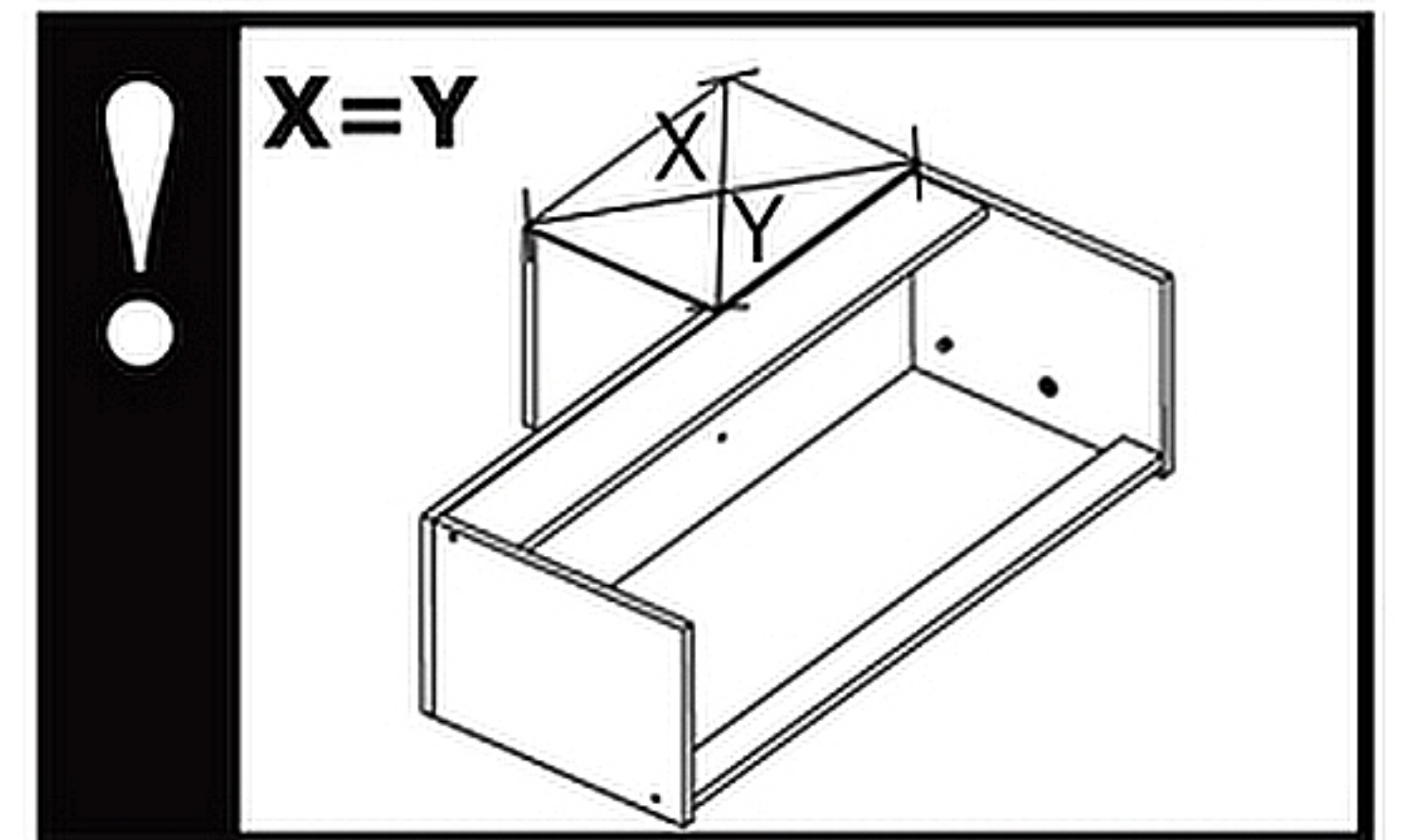
K1




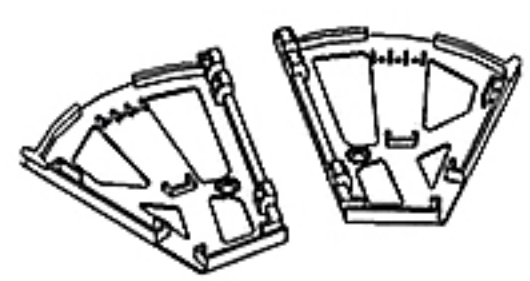
Z2

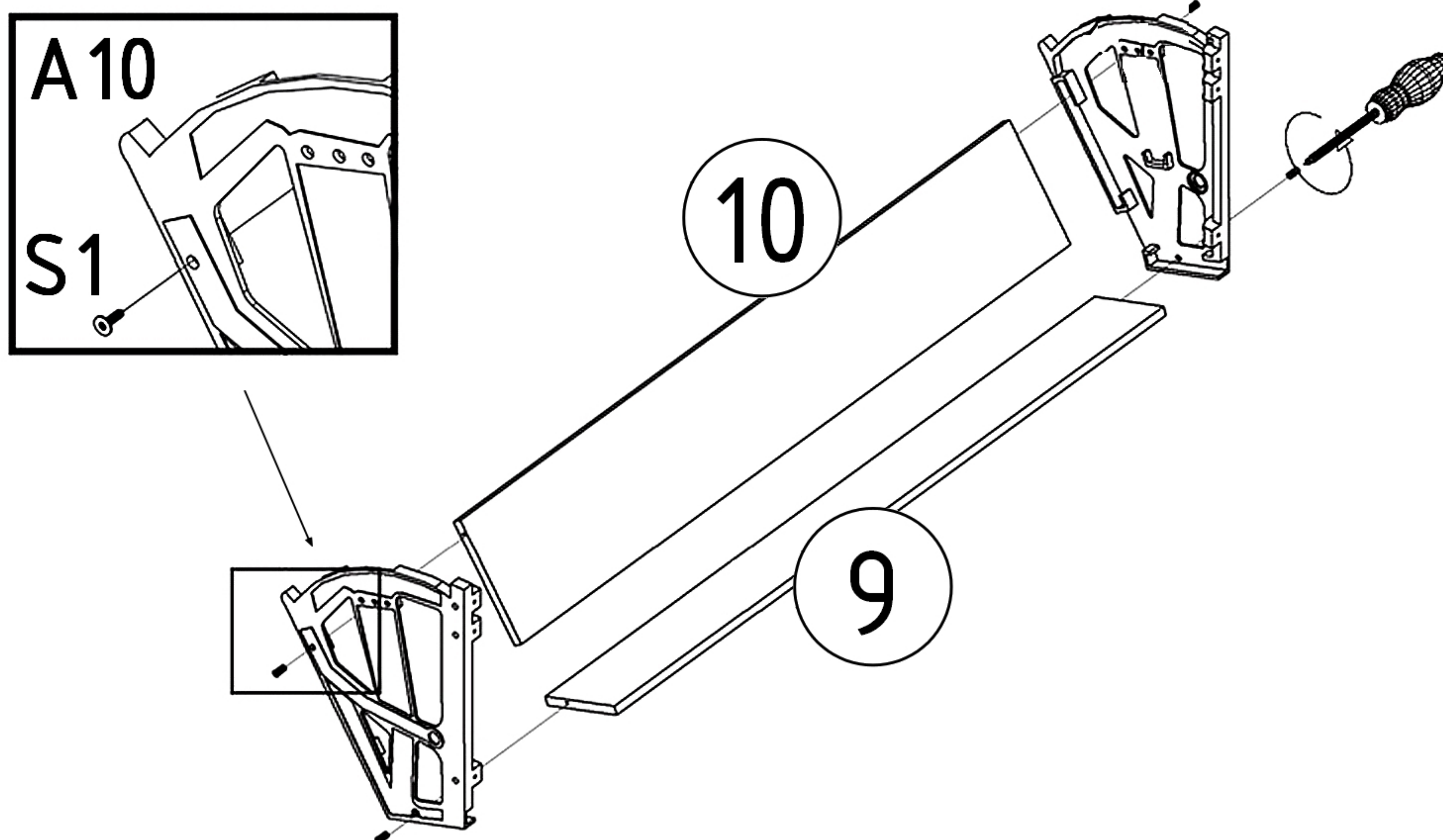


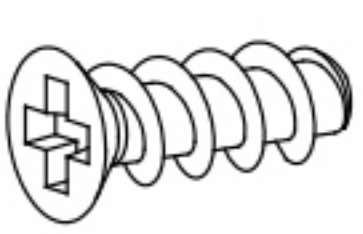
x10

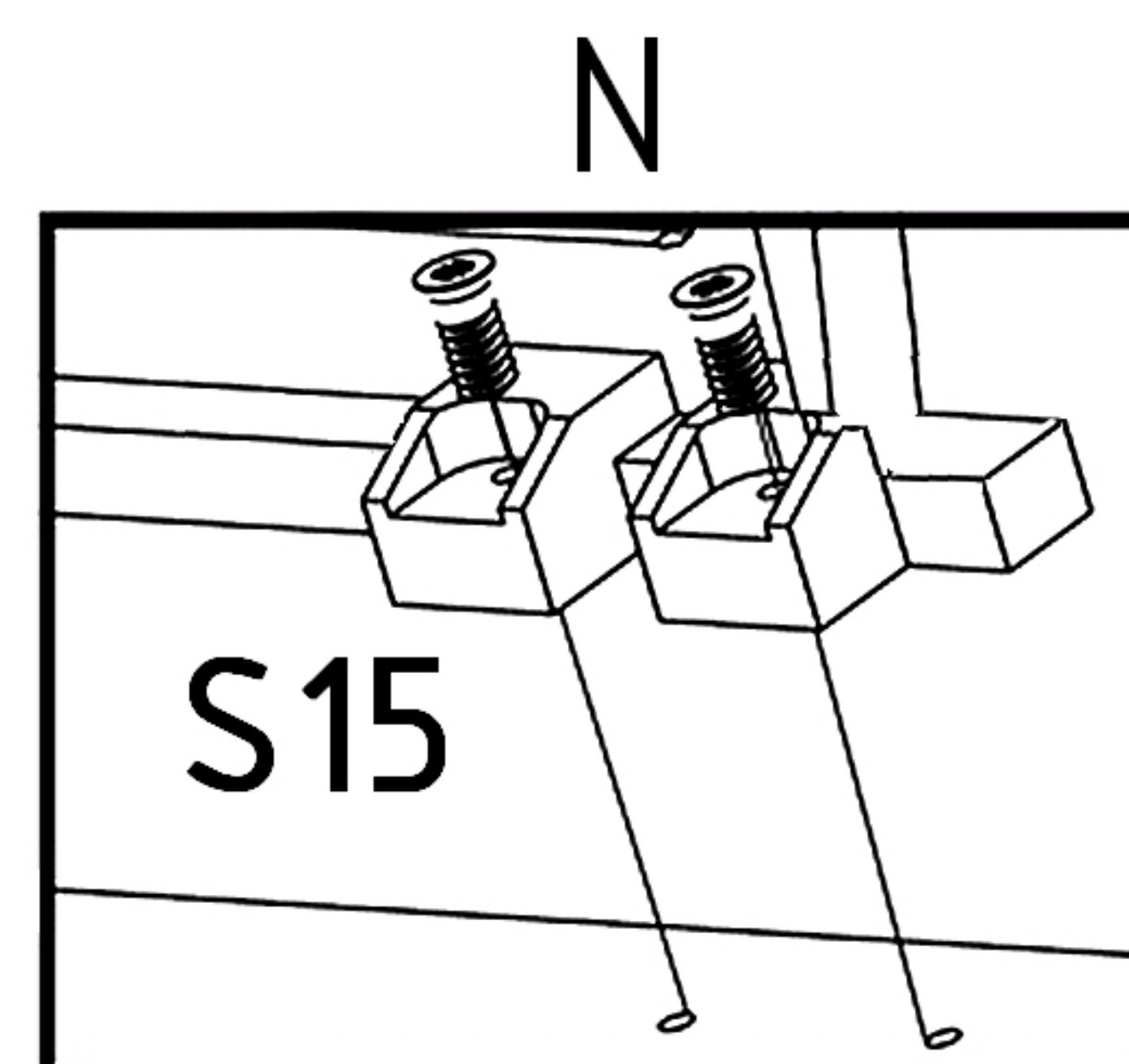
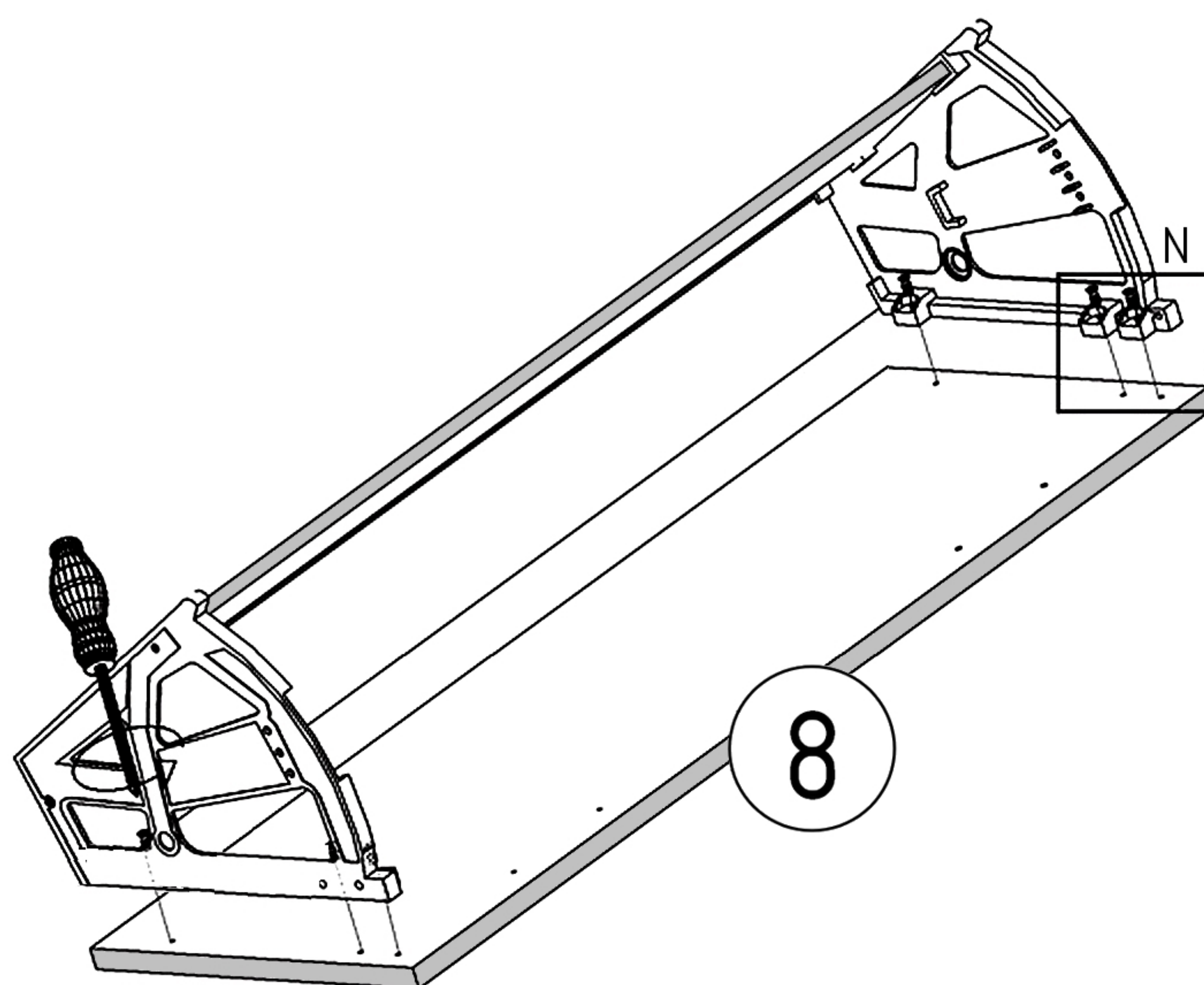




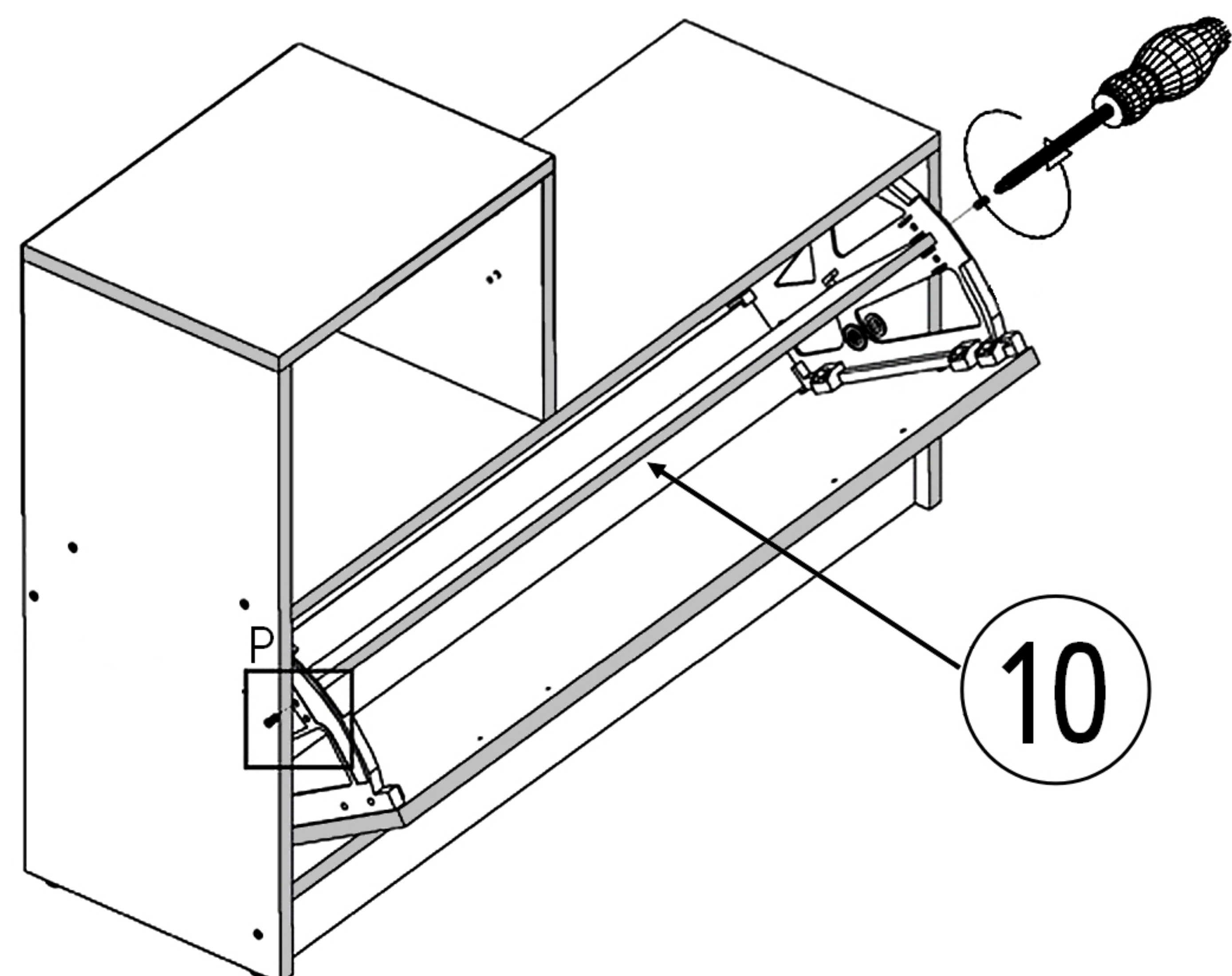
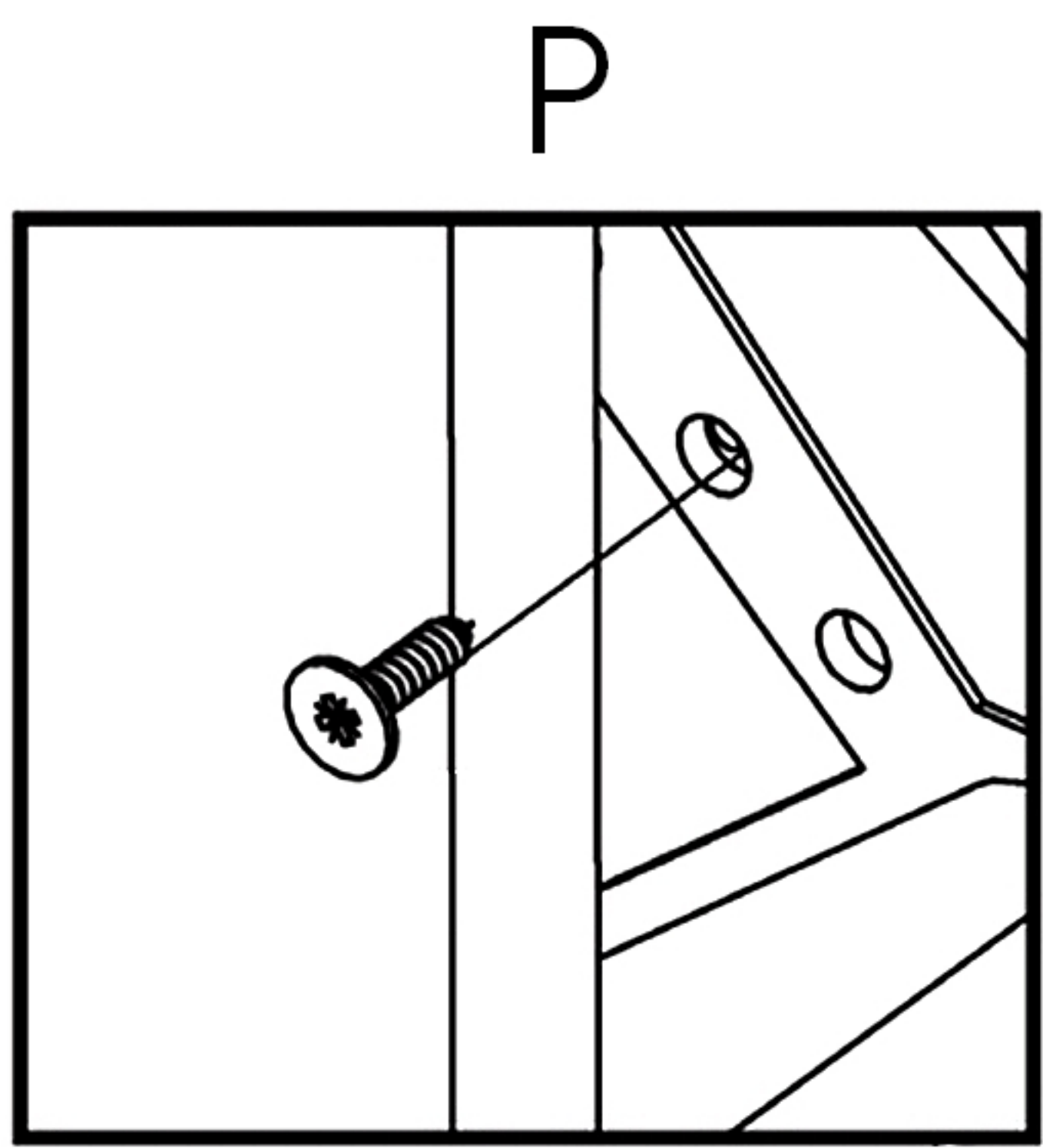
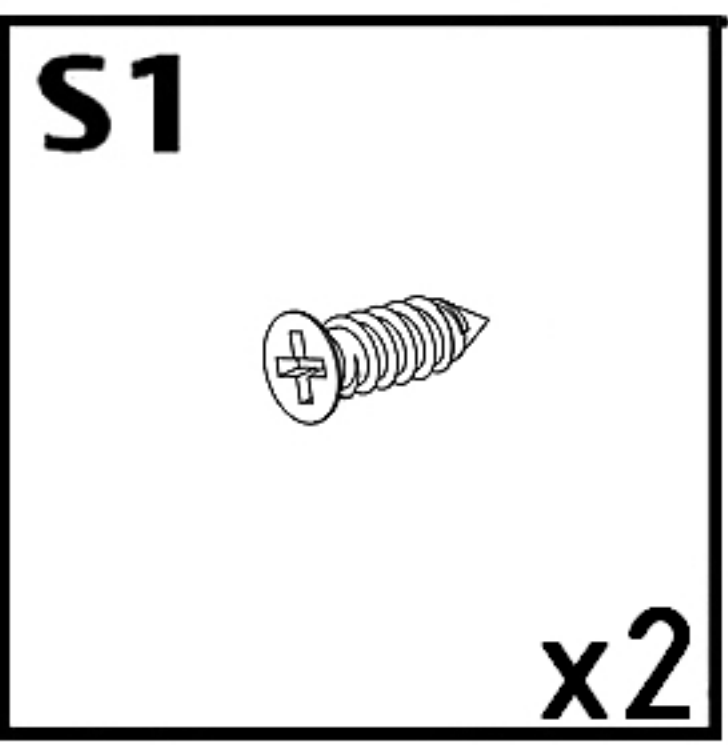
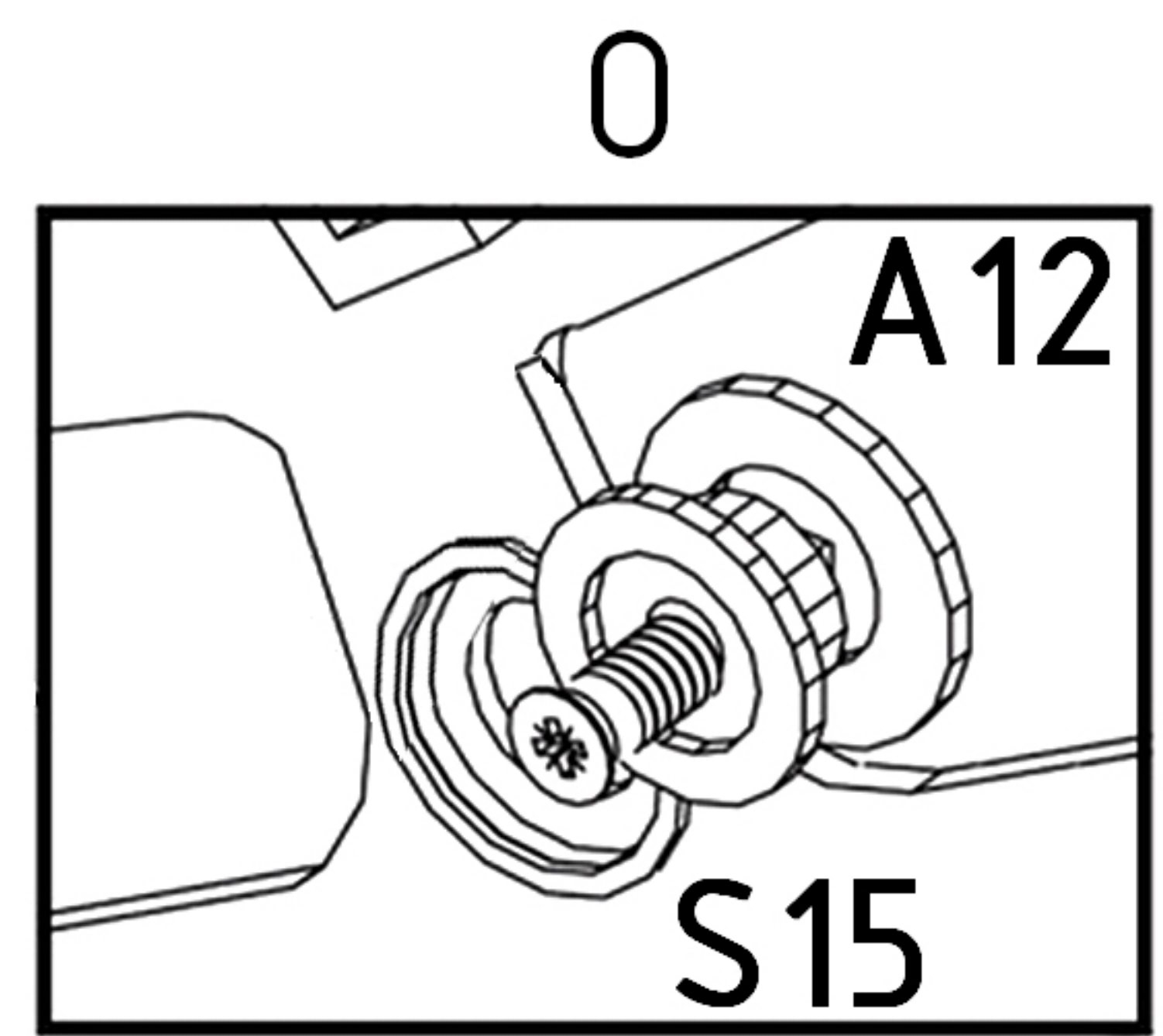
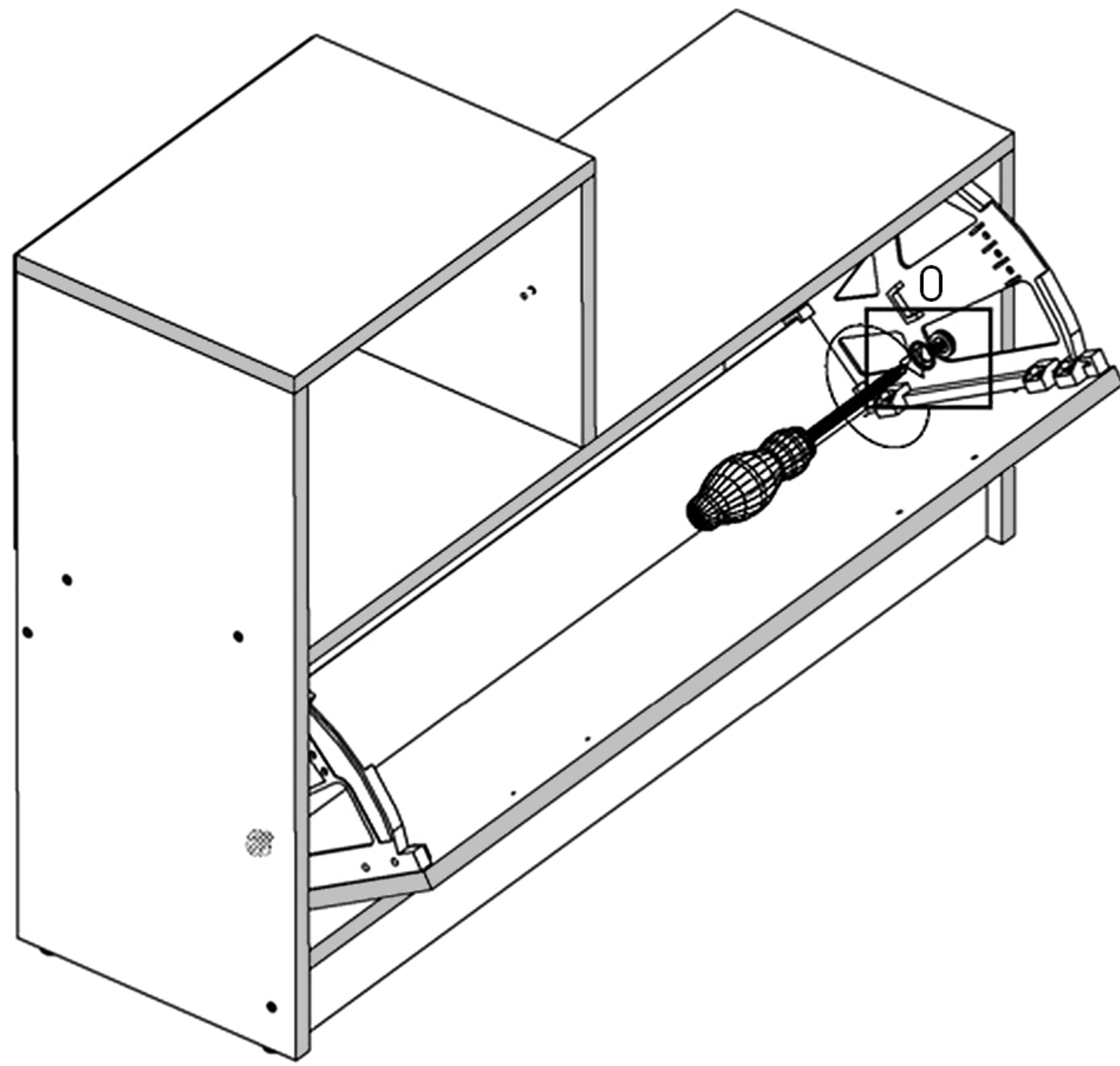
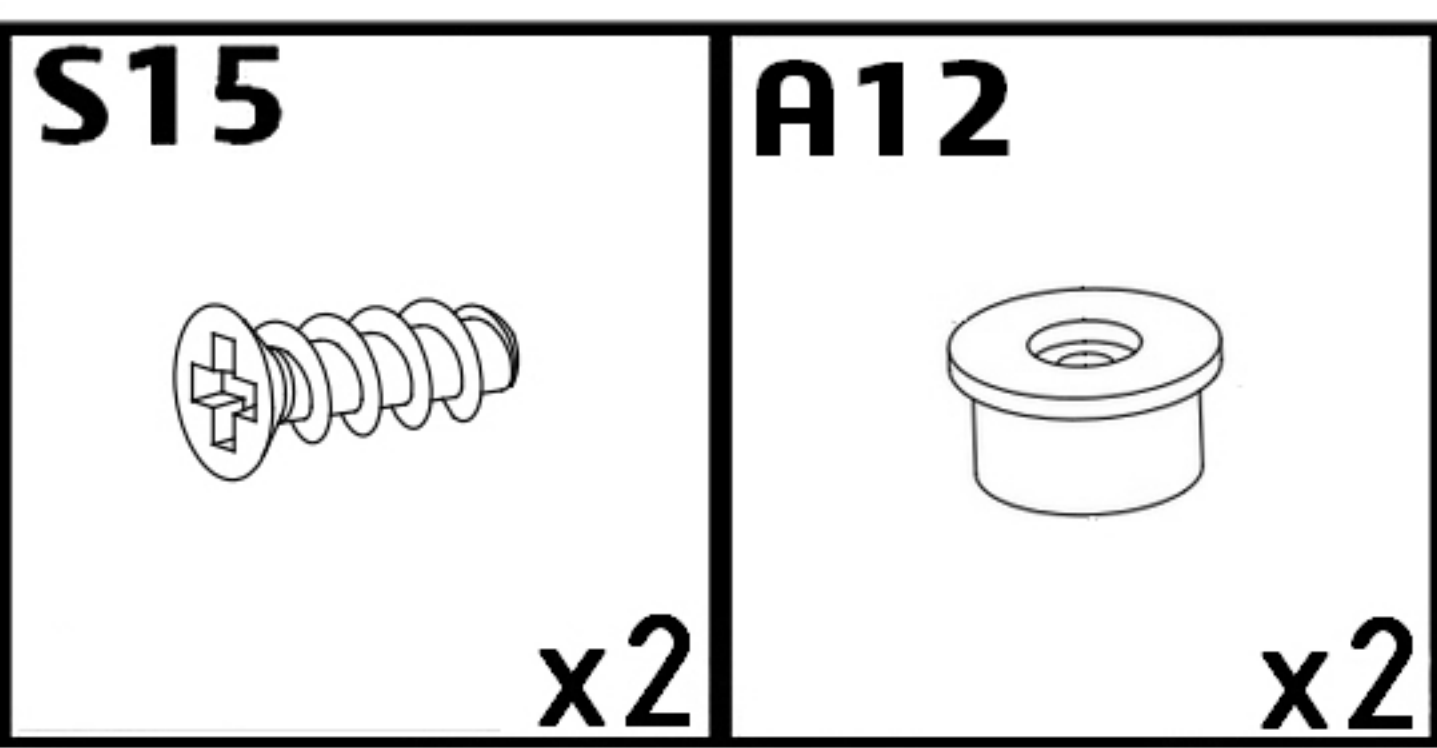
<b>S1</b>  x4	<b>A10</b>  x1
--	---




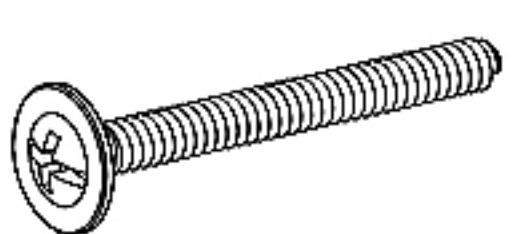
<b>S15</b>  x6
--

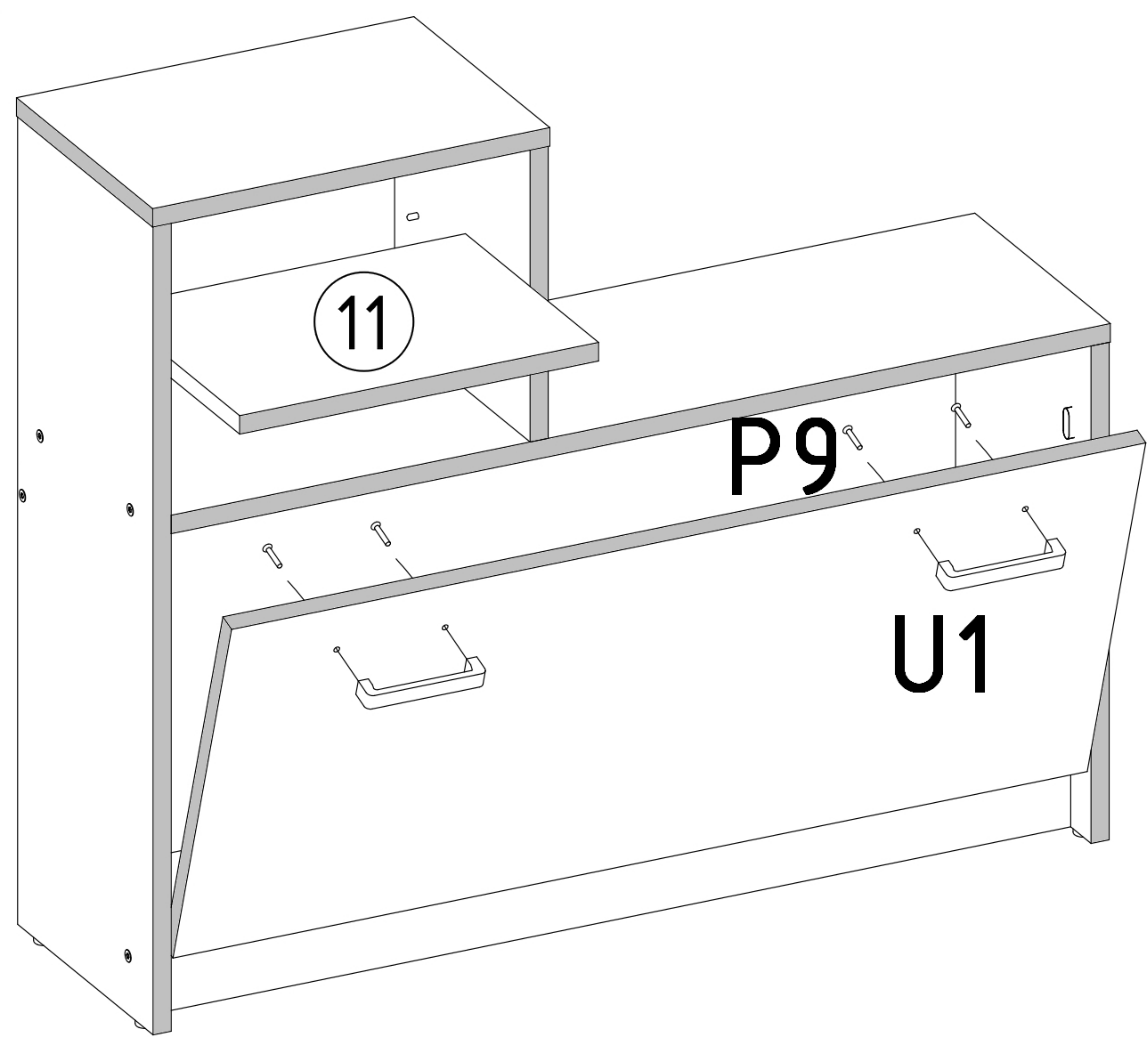





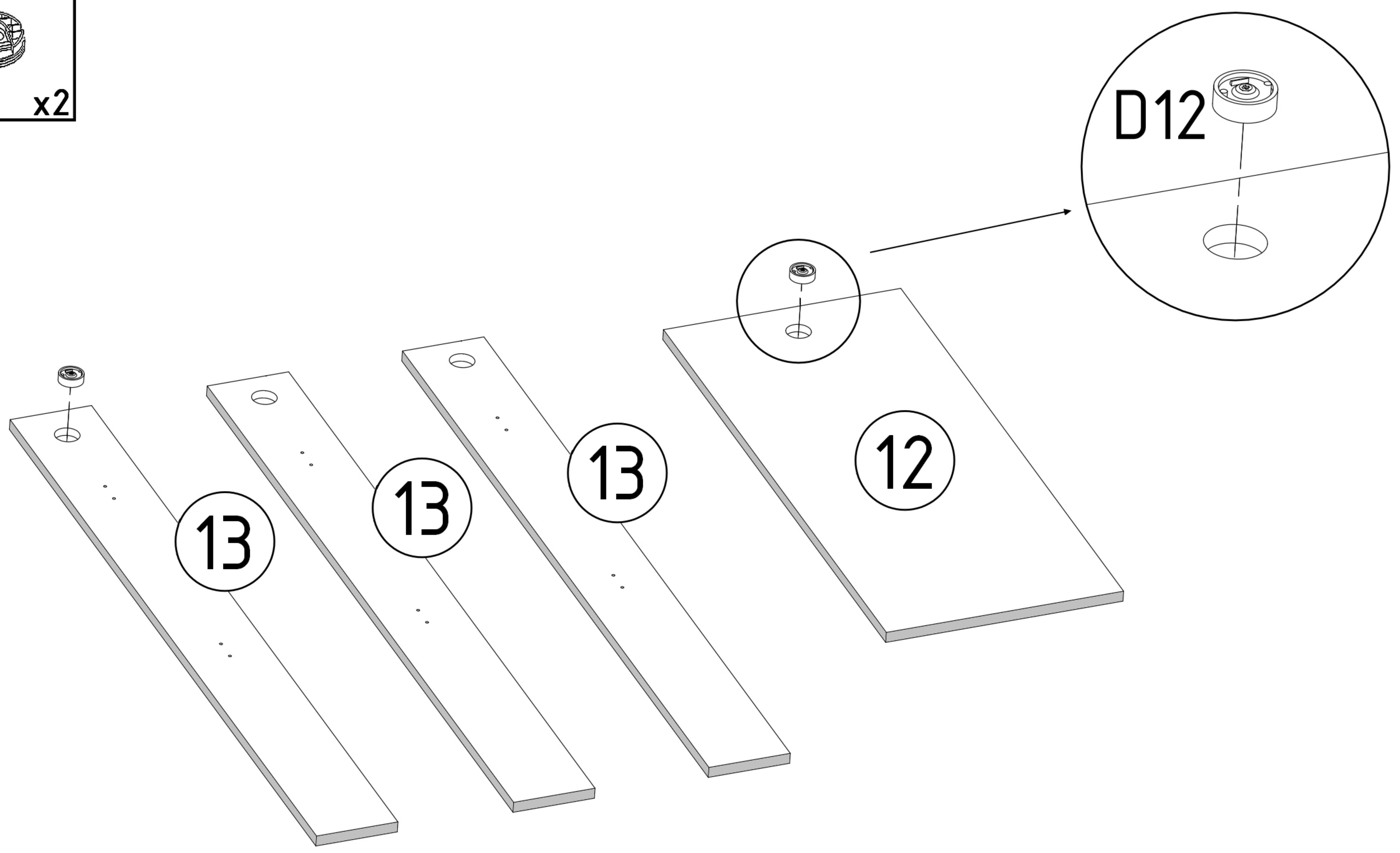




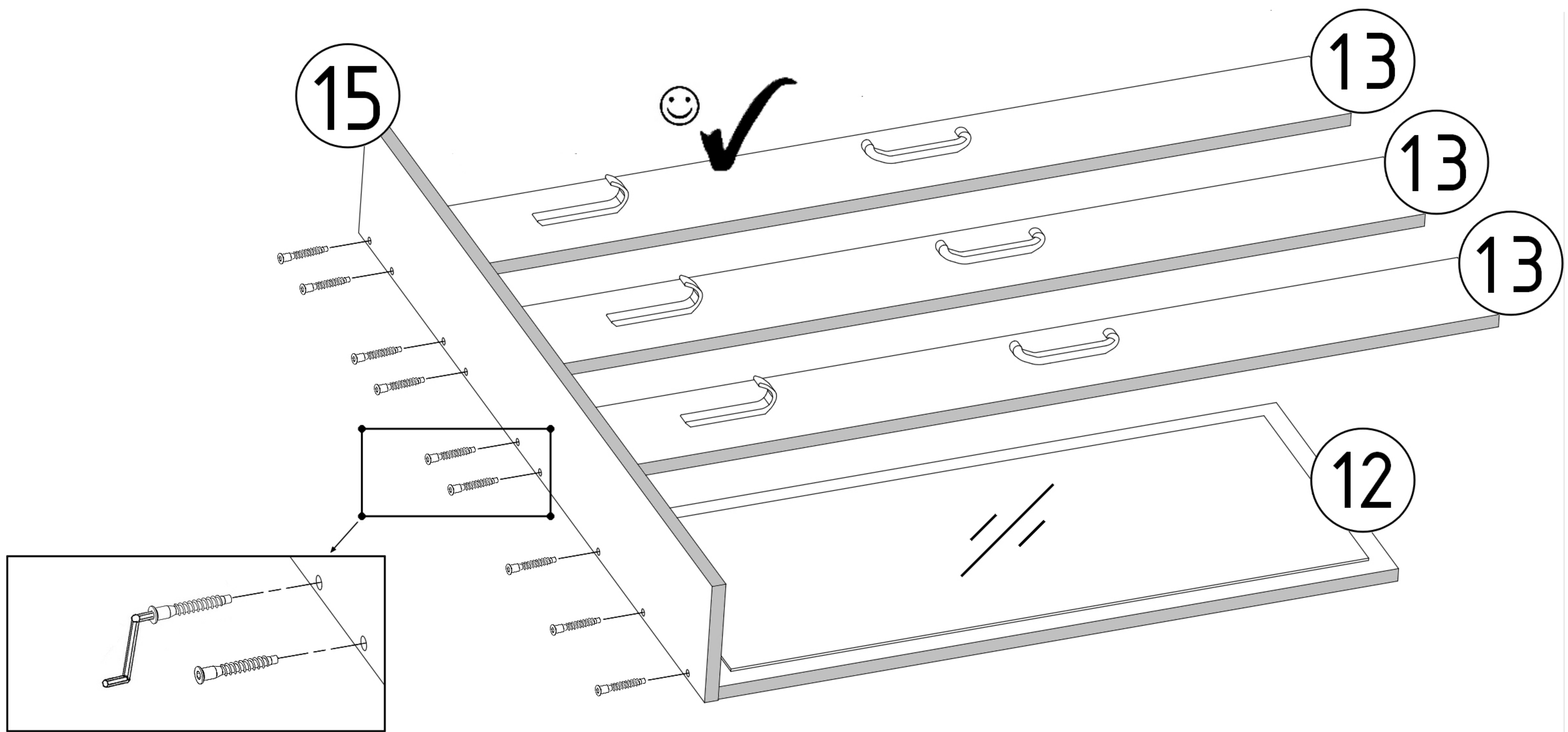
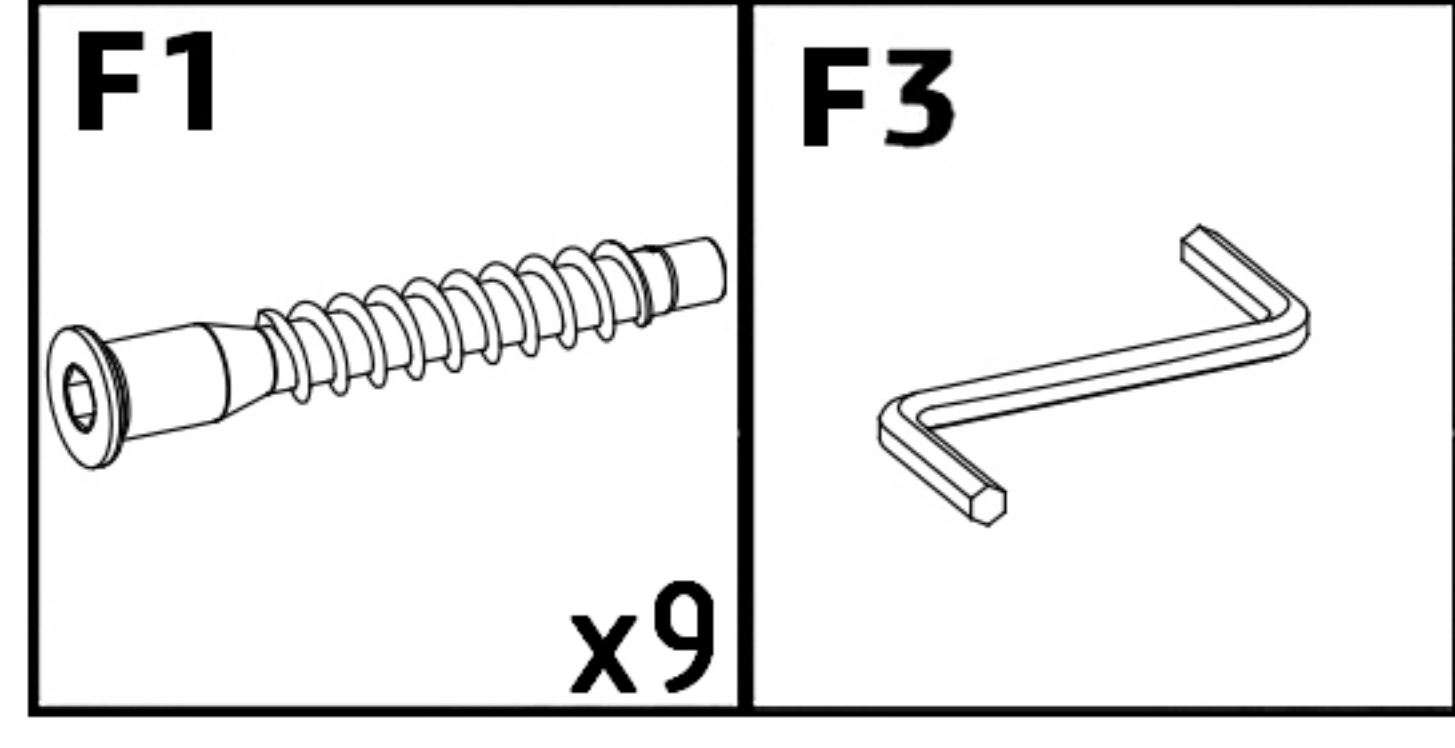
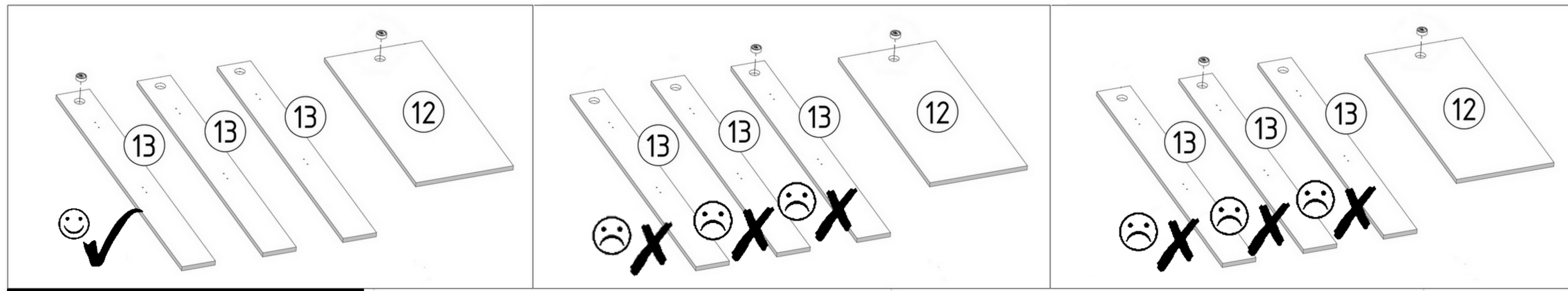
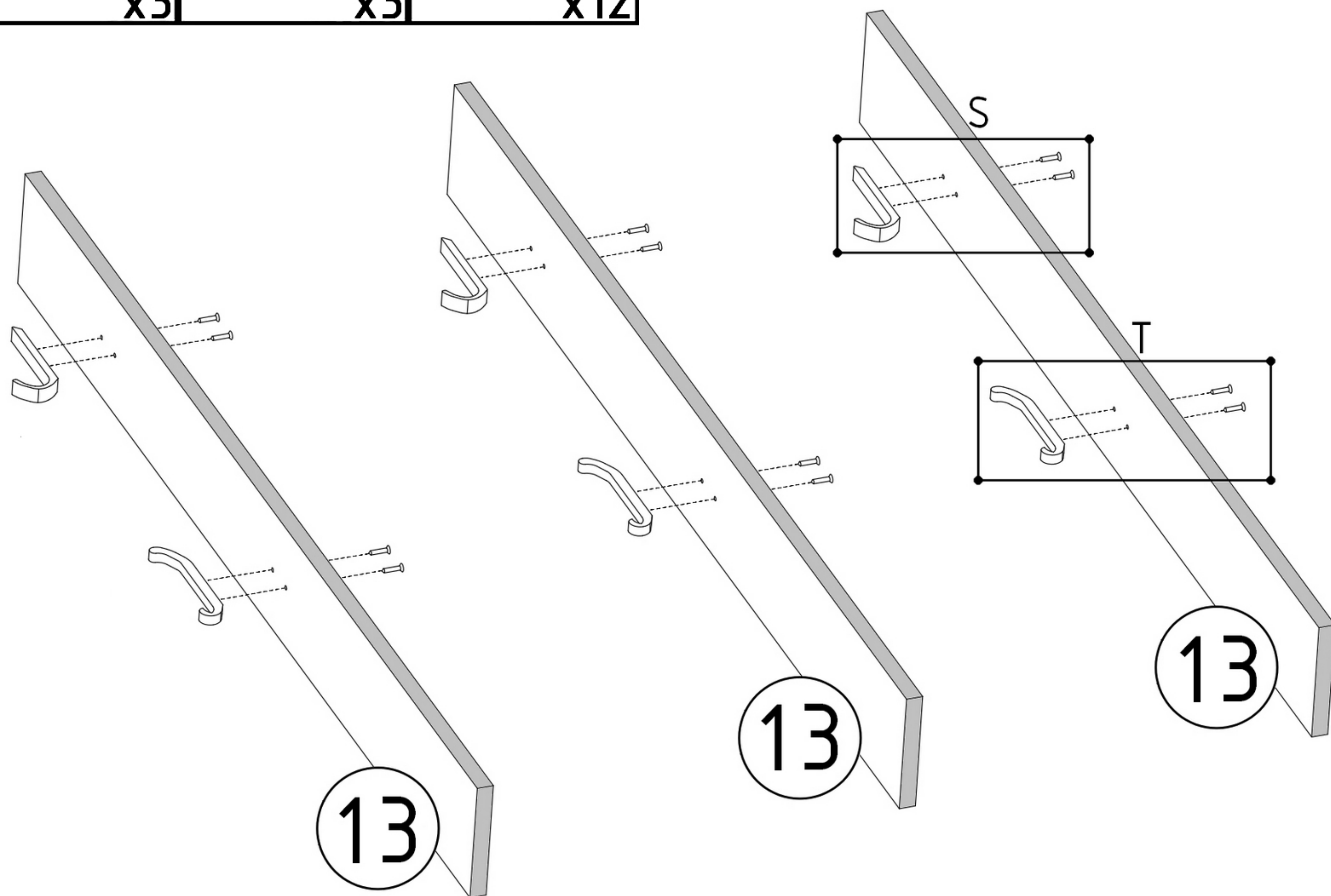
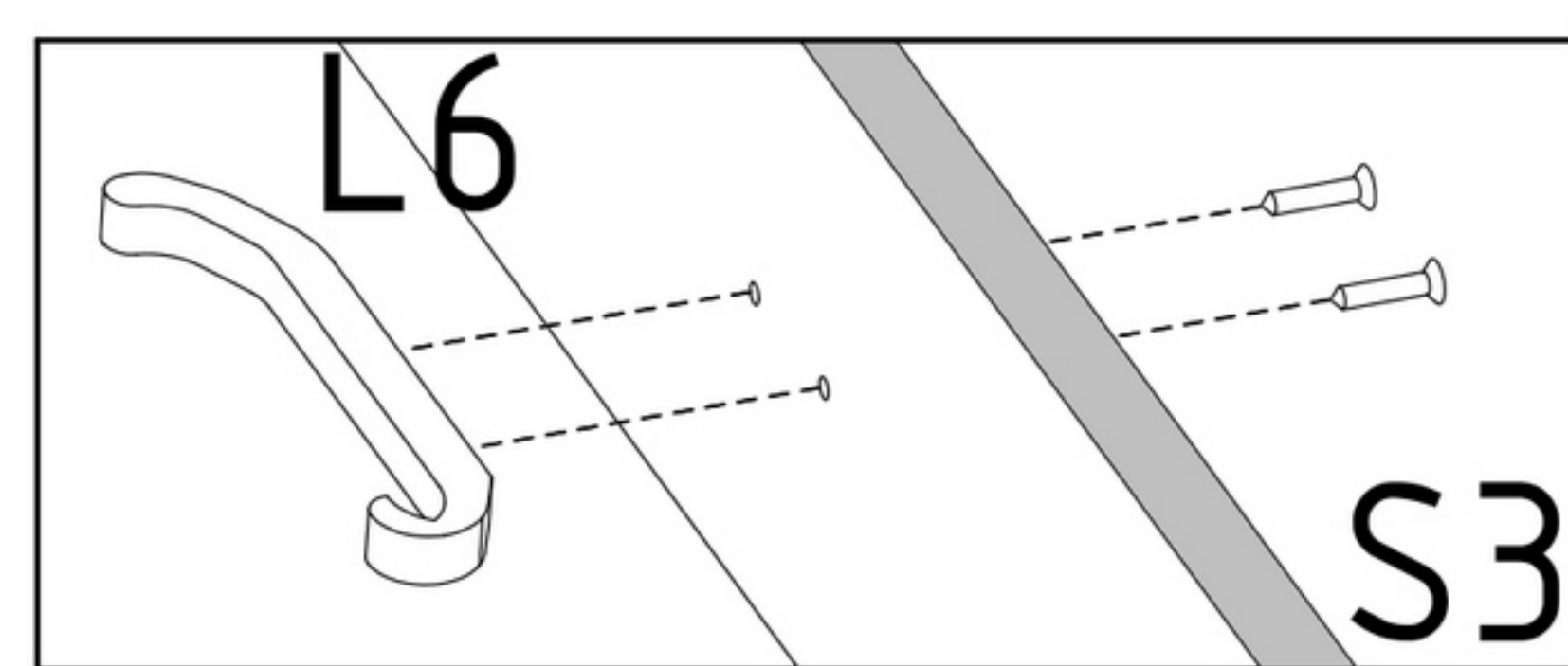
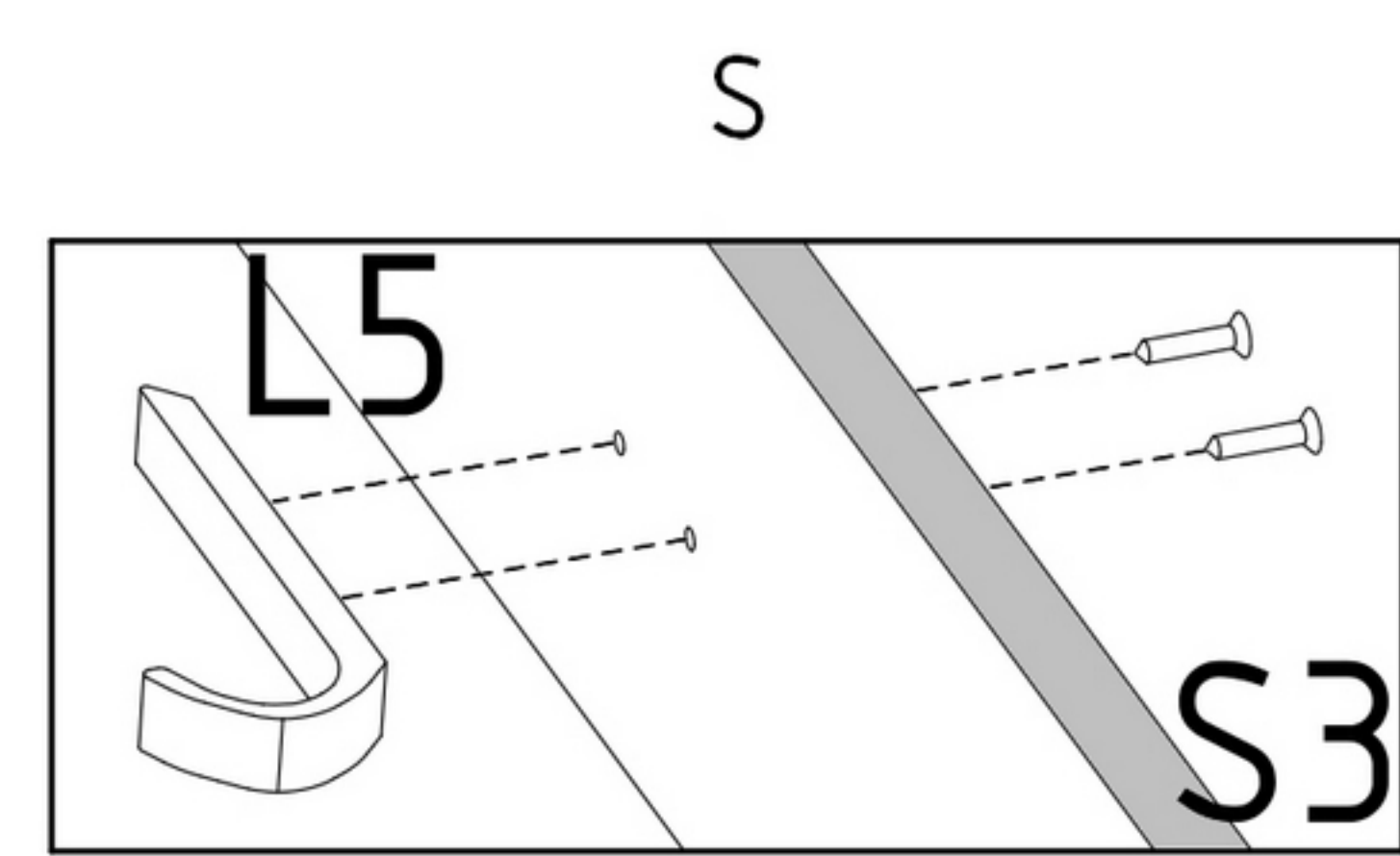
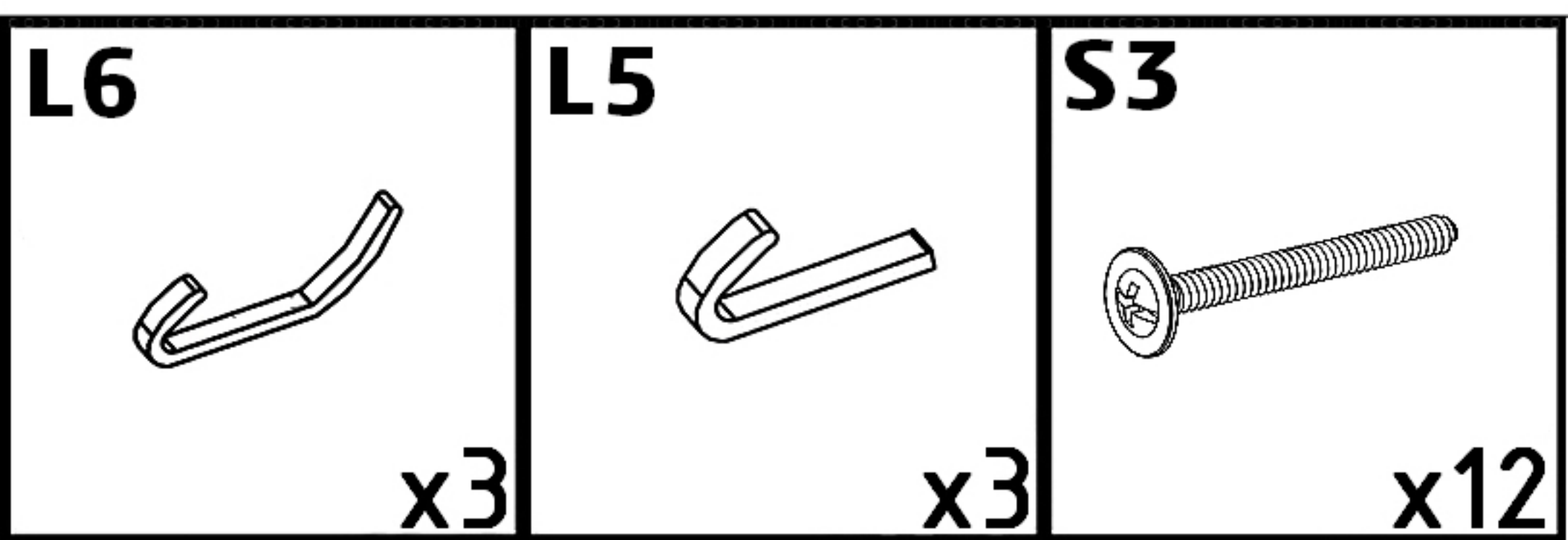
<b>U1</b>  x2	<b>P9</b>  x4
---	--



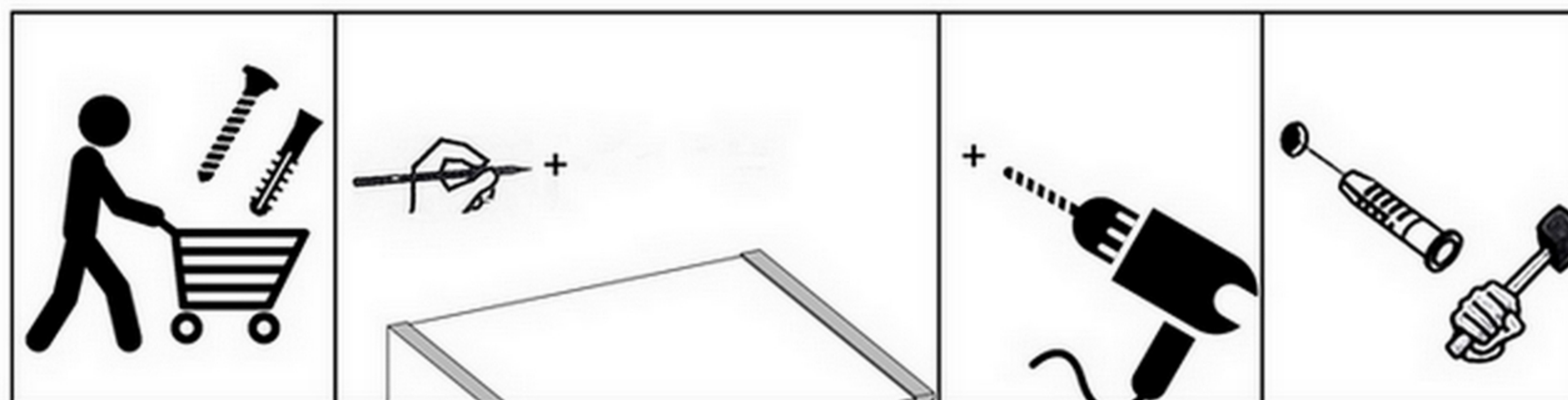
<b>D12</b>  x2
--











611mm

