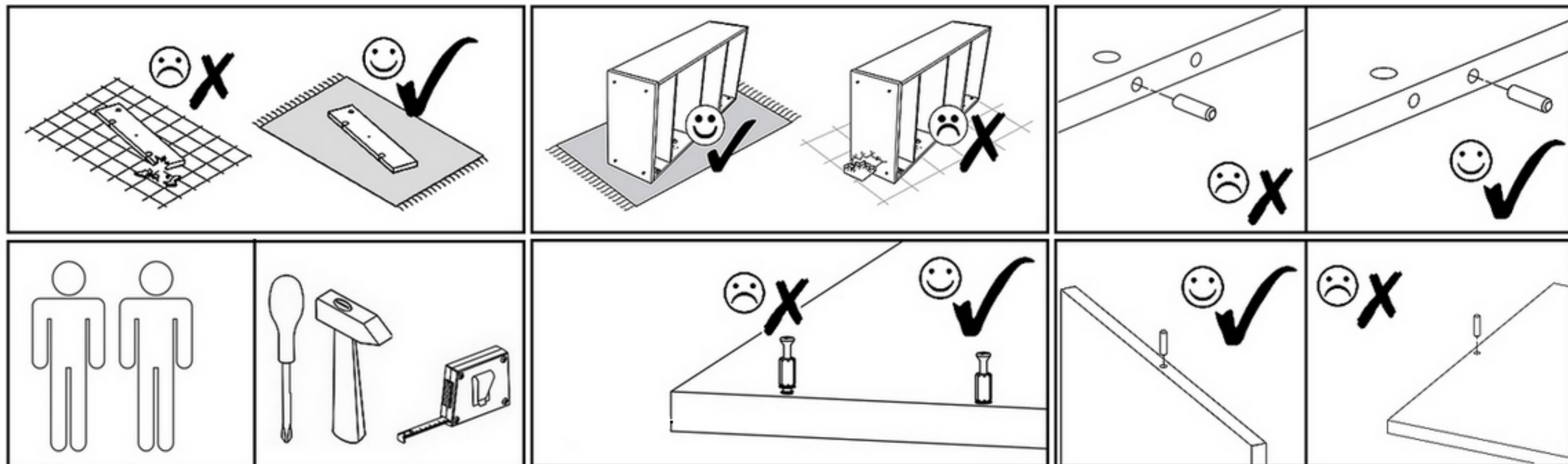
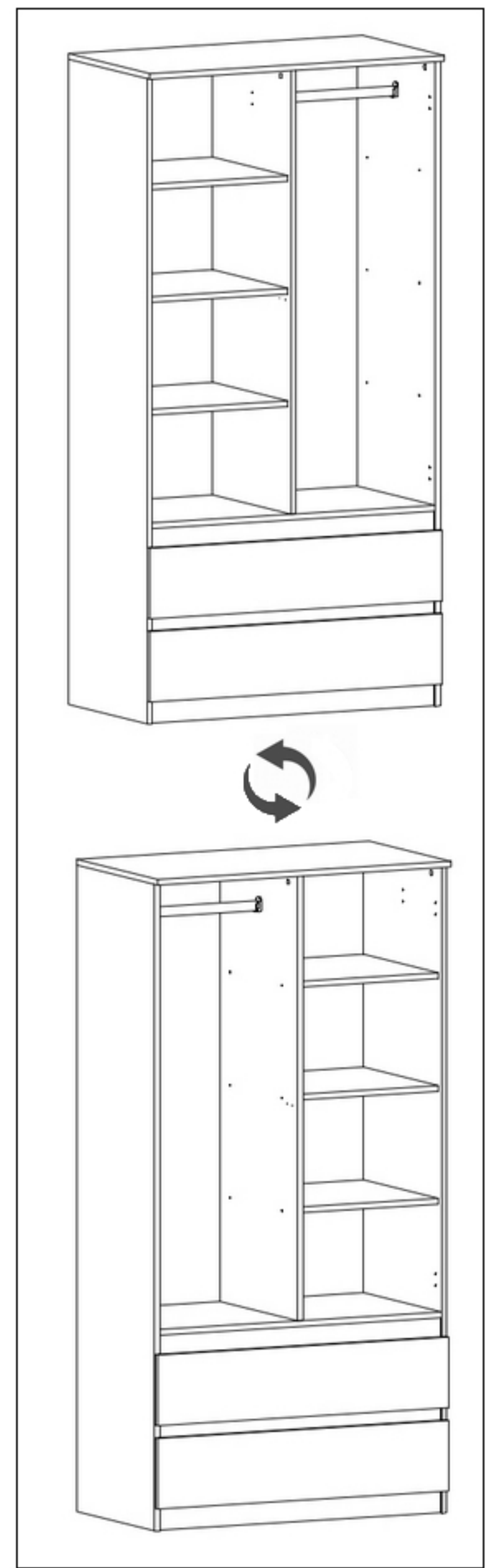
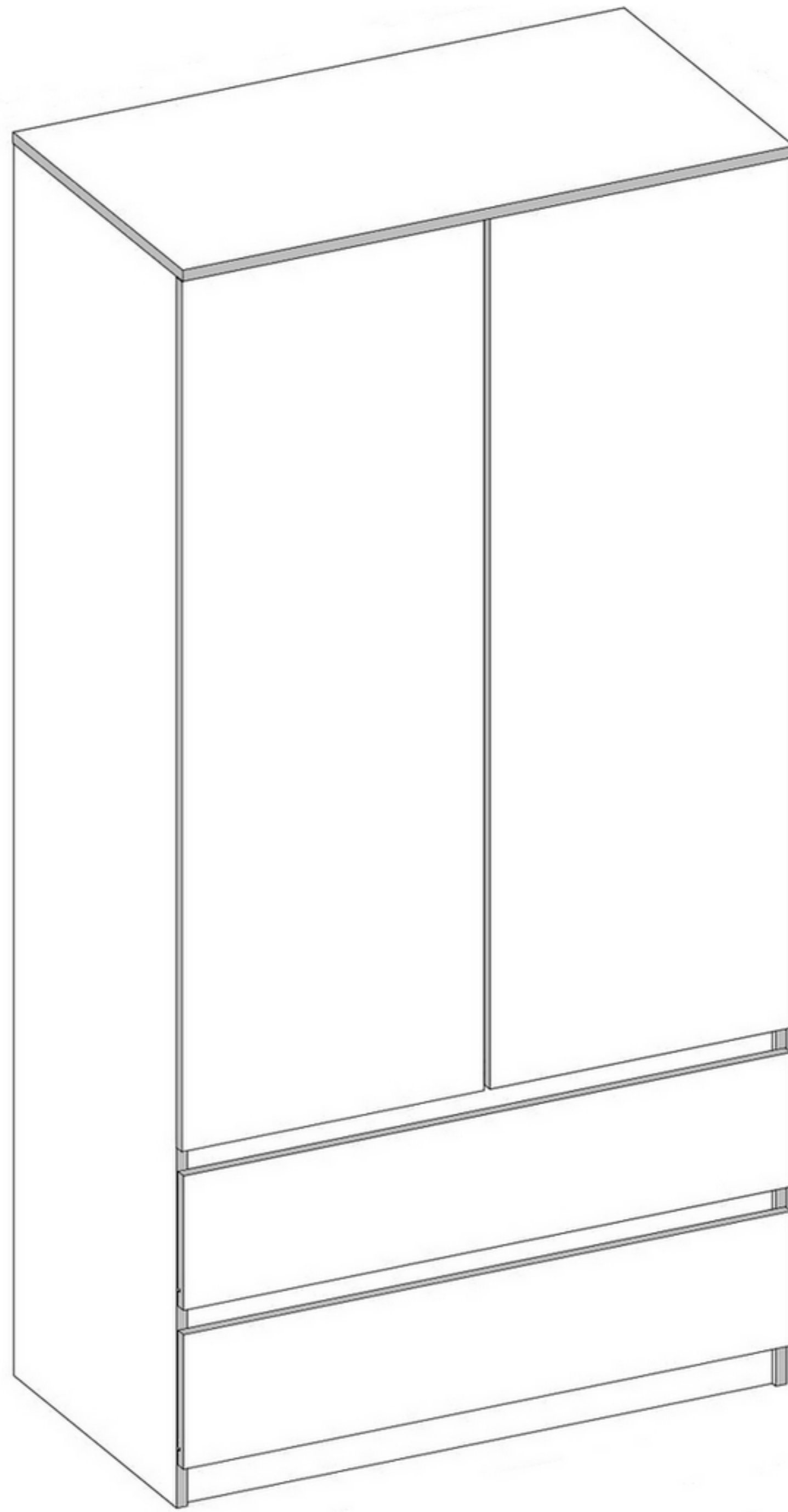
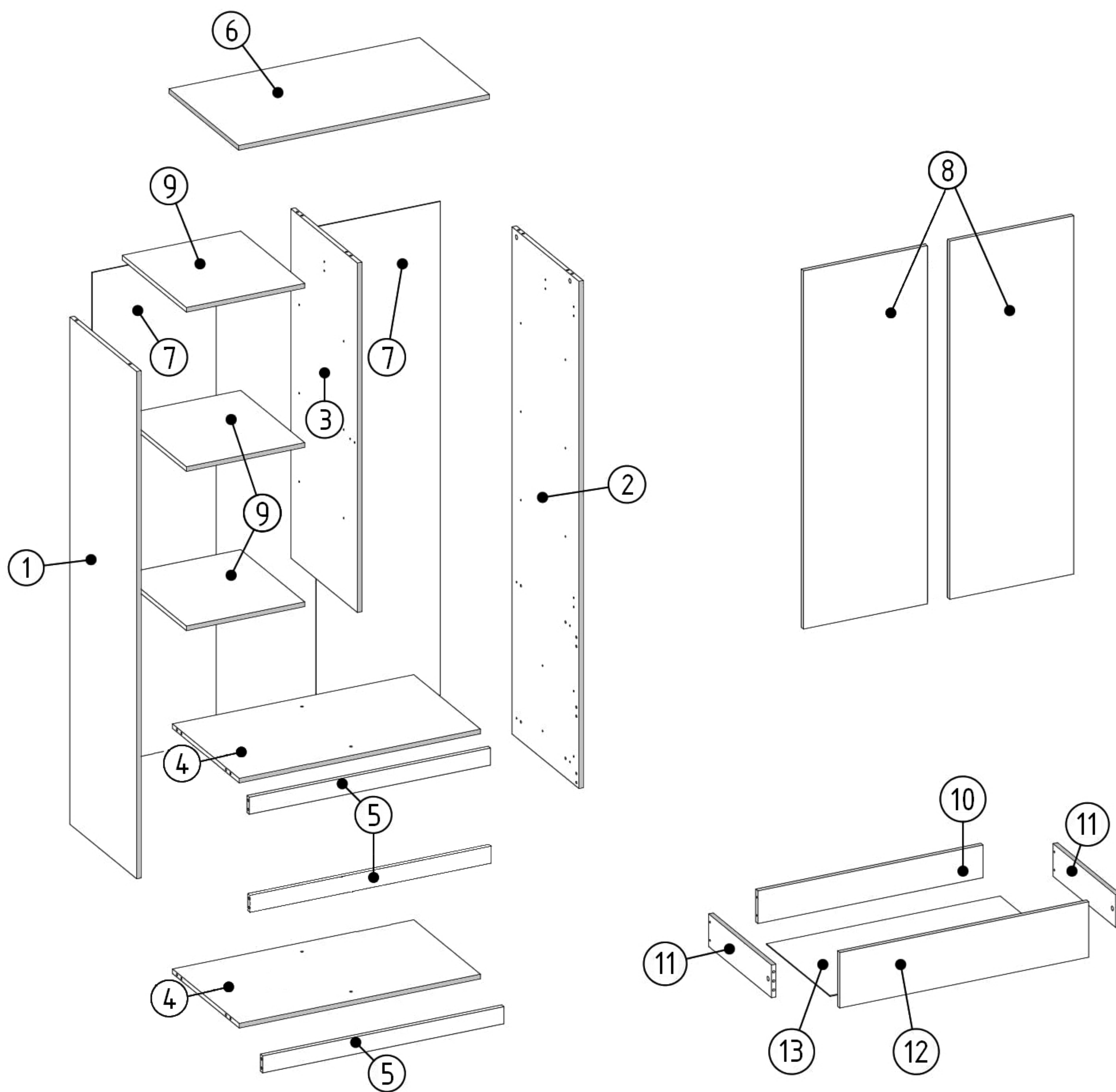


25.01.2022

# SS-90

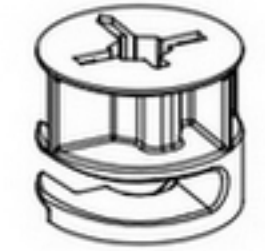




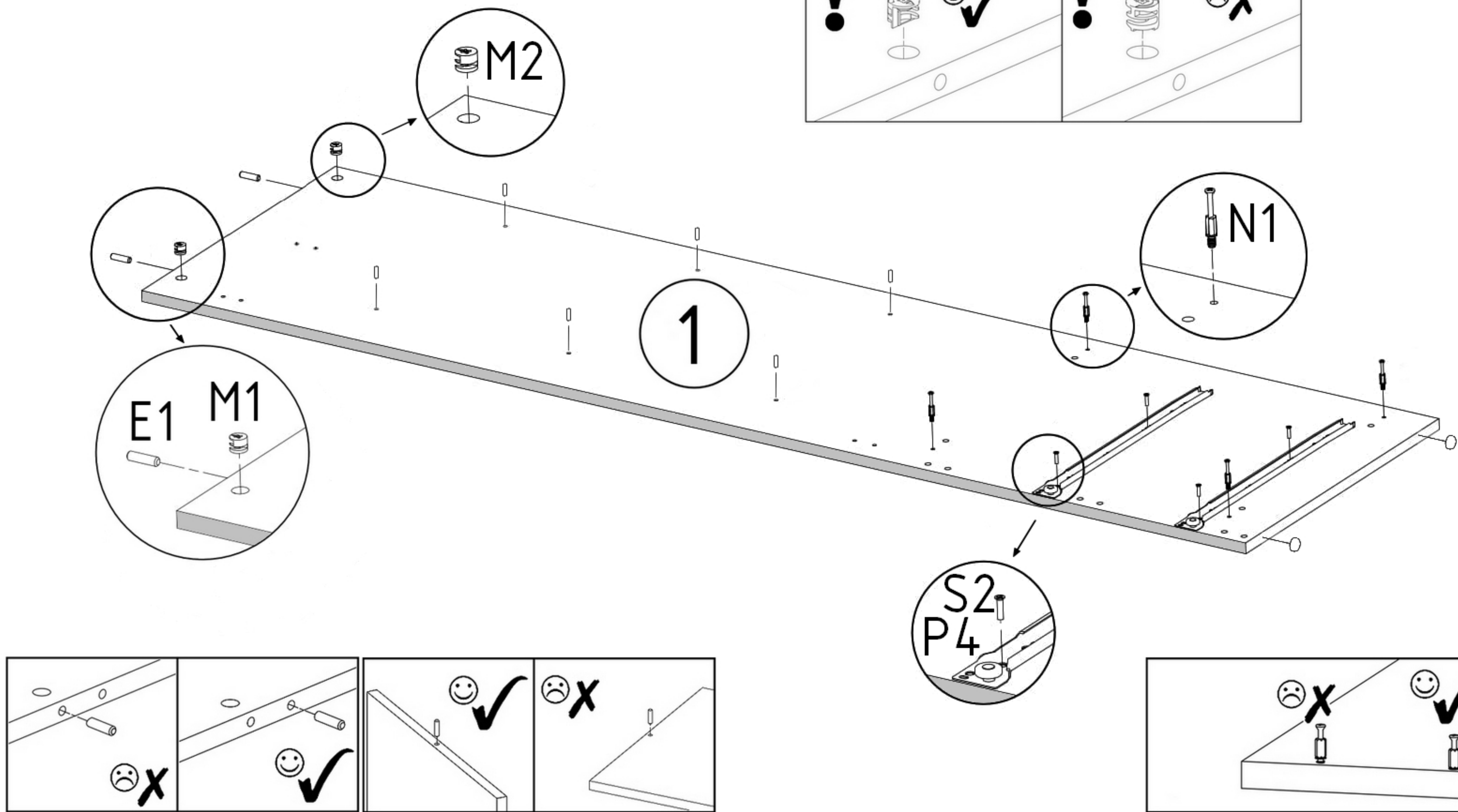
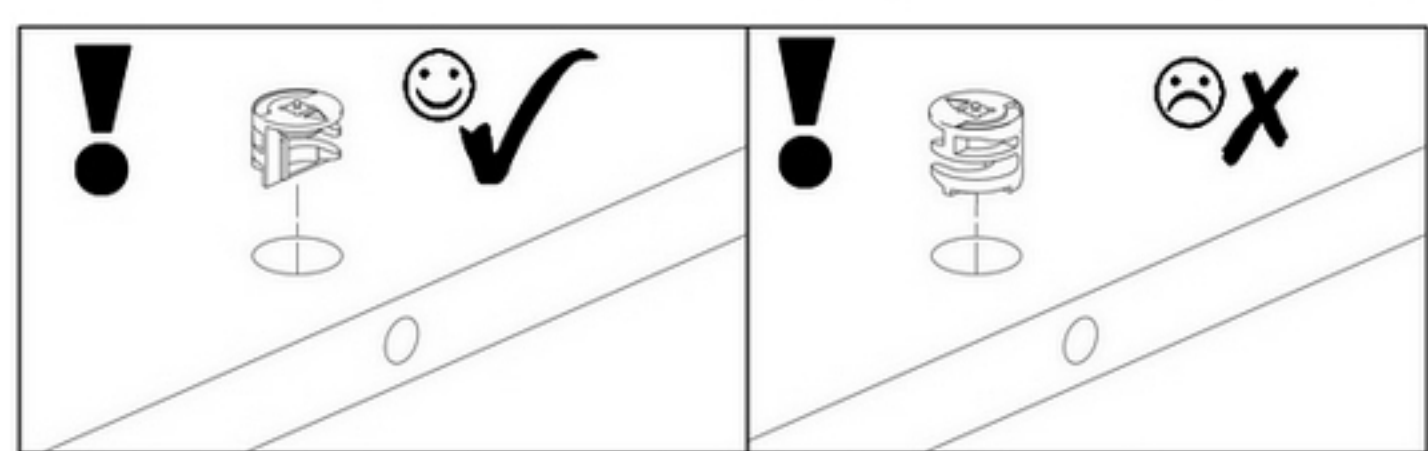
<b>U5</b>  L=414mm x 1	<b>K2</b>  x1	<b>T3</b>  x2	<b>E4</b>  L=43 mm x 8	 x 1			
<b>N1</b>  L=35mm x 18	<b>M1</b>  12x15mm x 18	<b>U4</b>  x2	<b>S1</b>  3,5x16mm x 18	<b>E1</b>  8x30mm x 34	<b>K7</b>  L=16mm x 12	<b>S7</b>  2,5x20 mm x 5	<b>Z4</b>  x5
<b>P4</b>  L=400mm x 2	<b>Z1</b>  x100	<b>S2</b>  6x8mm x 12	<b>T1</b>  x4	<b>M2</b>  ø16mm x 10	<b>A1</b>  ZP x 4	<b>F1</b>  7x50mm x 2	<b>K1</b>  x1

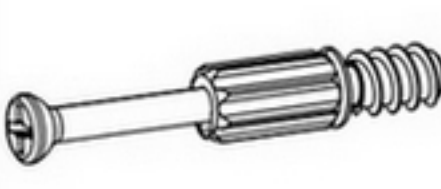





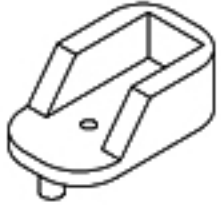


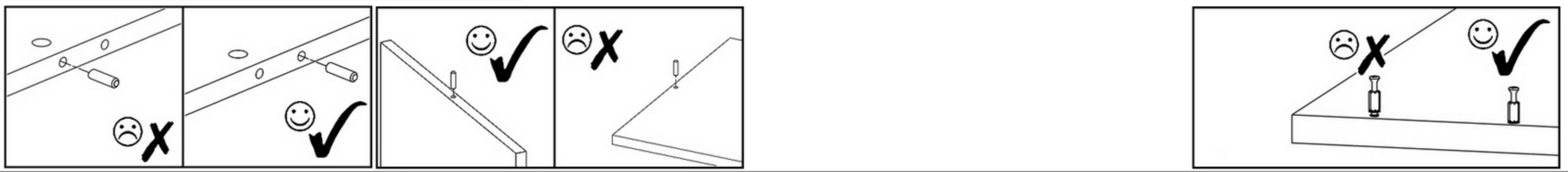
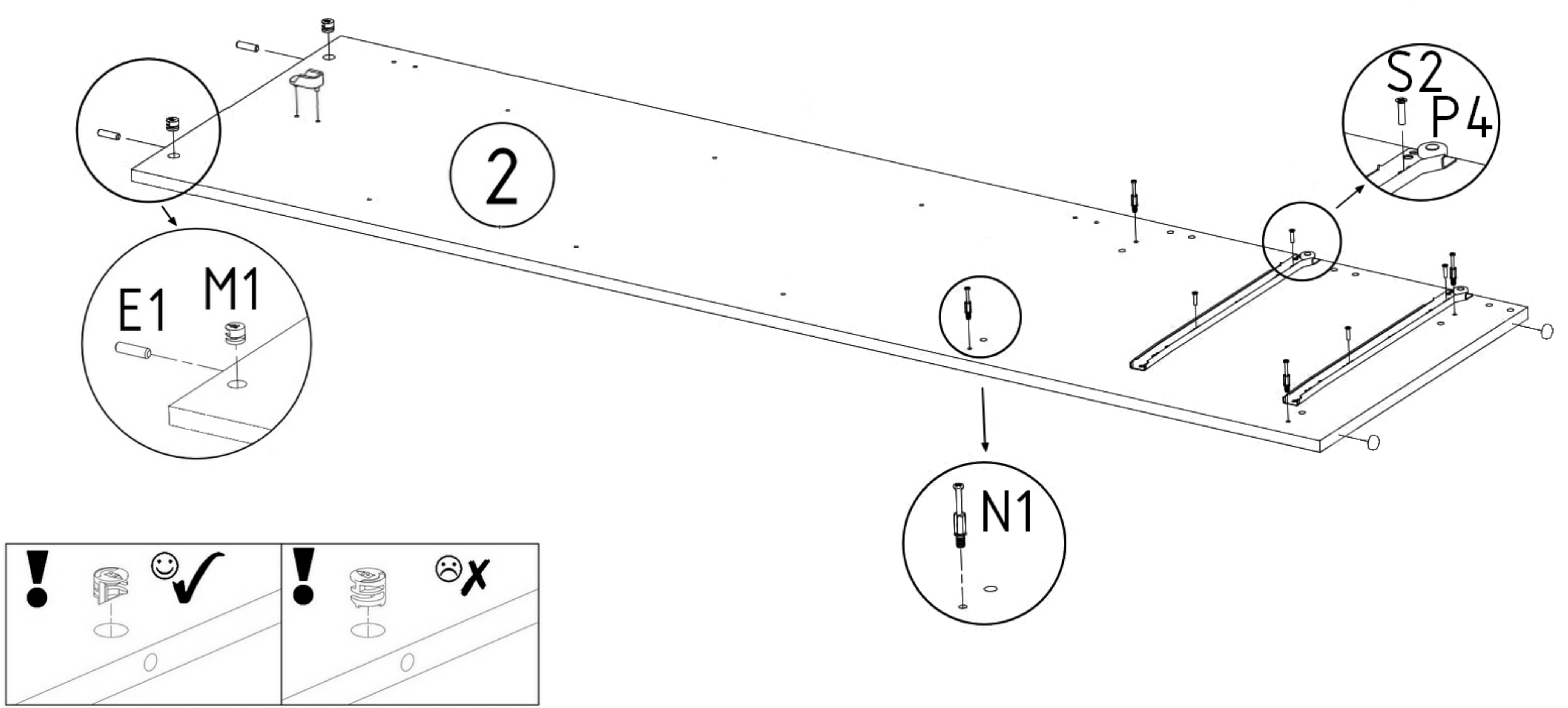
<b>1</b>	x	1
<b>2</b>	x	1
<b>3</b>	x	1
<b>4</b>	x	2
<b>5</b>	x	3
<b>6</b>	x	1
<b>7</b>	x	2
<b>8</b>	x	2





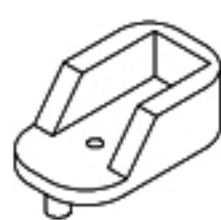
<b>9</b>	x	3
<b>10</b>	x	2
<b>11</b>	x	4
<b>12</b>	x	2
<b>13</b>	x	2

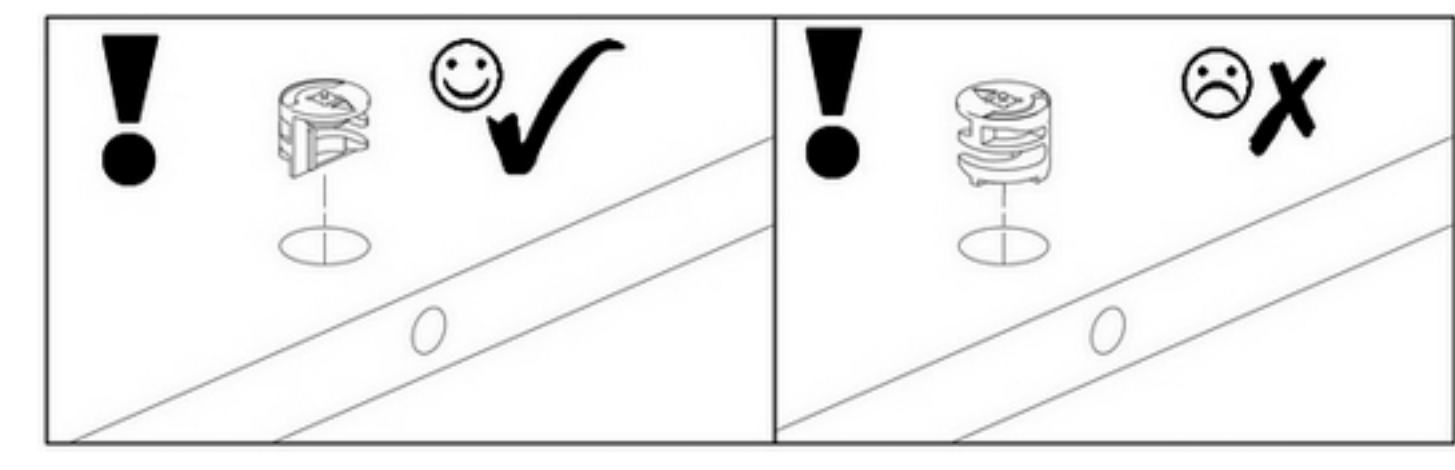
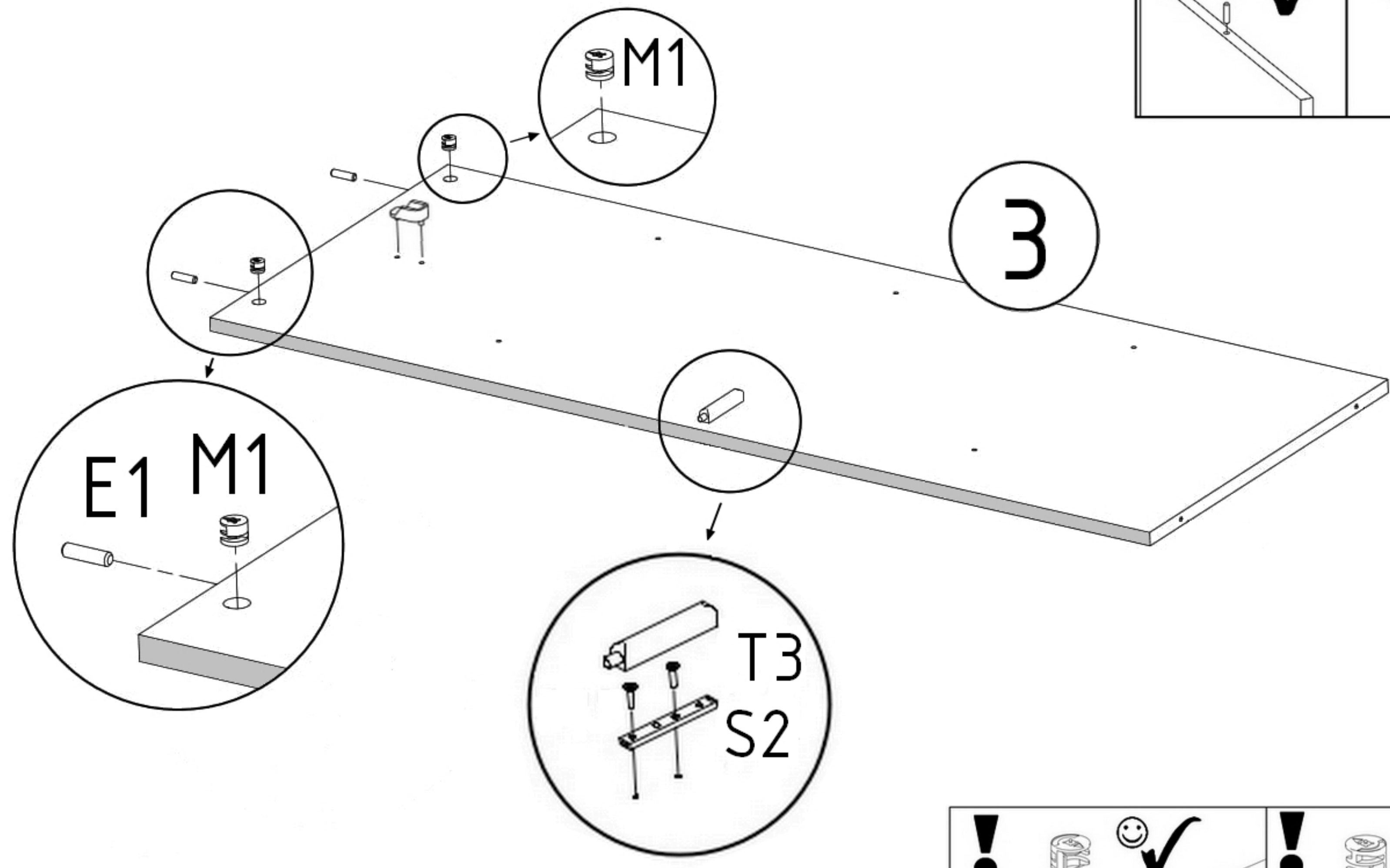
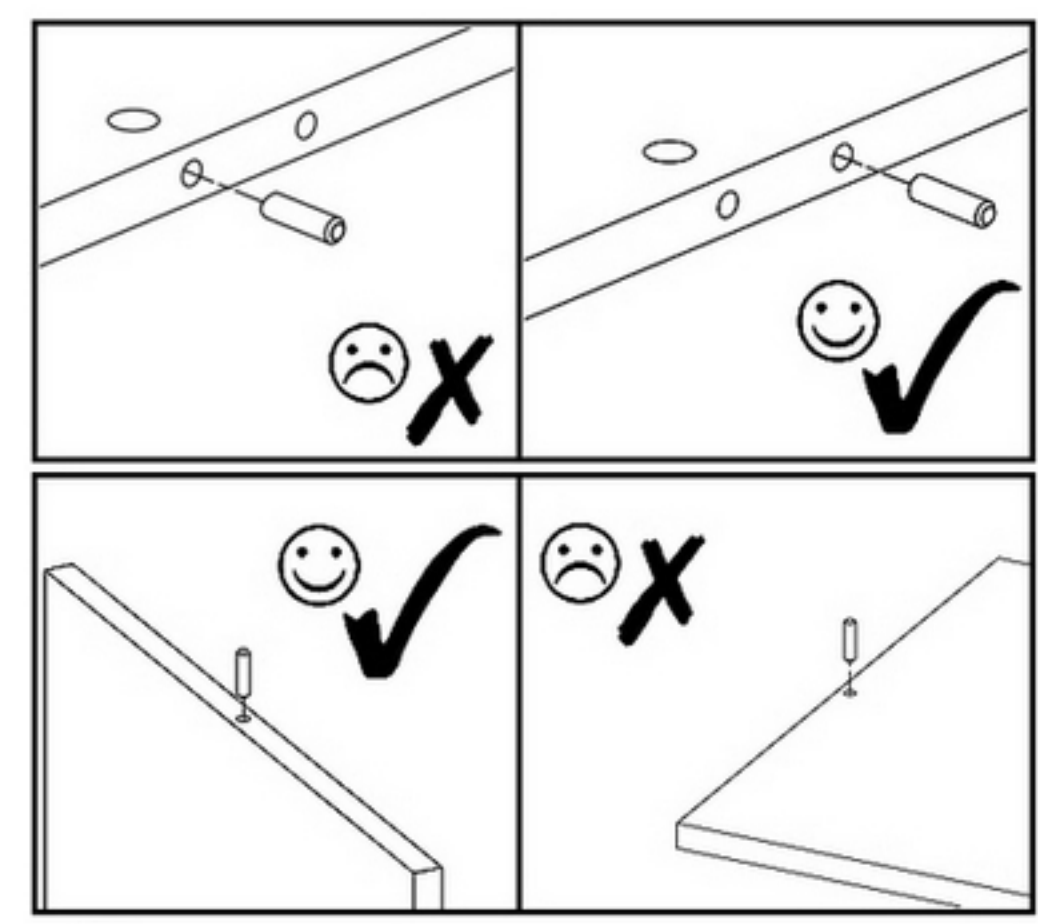
<b>N1</b>  L=35mm X4	<b>M1</b>  12x15mm X2	<b>P4</b>  L=400mm X2	<b>S2</b>  6x8mm X4	<b>E1</b>  8x30mm X2	<b>K7</b>  L=16mm X6	<b>T1</b>  X2
--	--	--	--	---	---	--






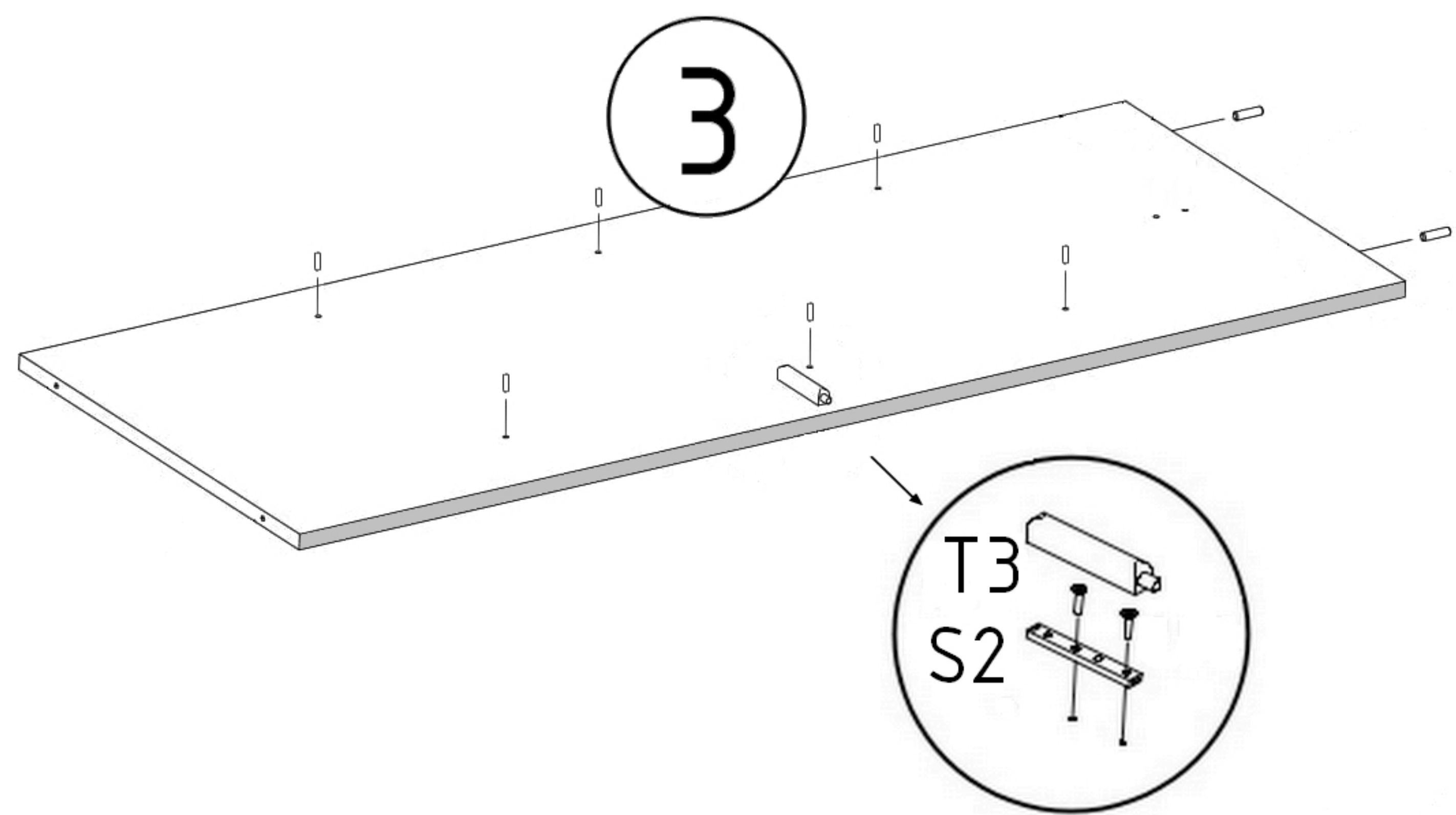
<b>N1</b>  L=35mm X4	<b>M1</b>  12x15mm X2	<b>P4</b>  L=400mm X2	<b>S2</b>  6x8mm X4	<b>E1</b>  8x30mm X2	<b>T1</b>  X2	<b>U4</b>  X1
--	--	--	--	---	--	--


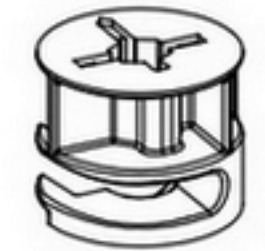


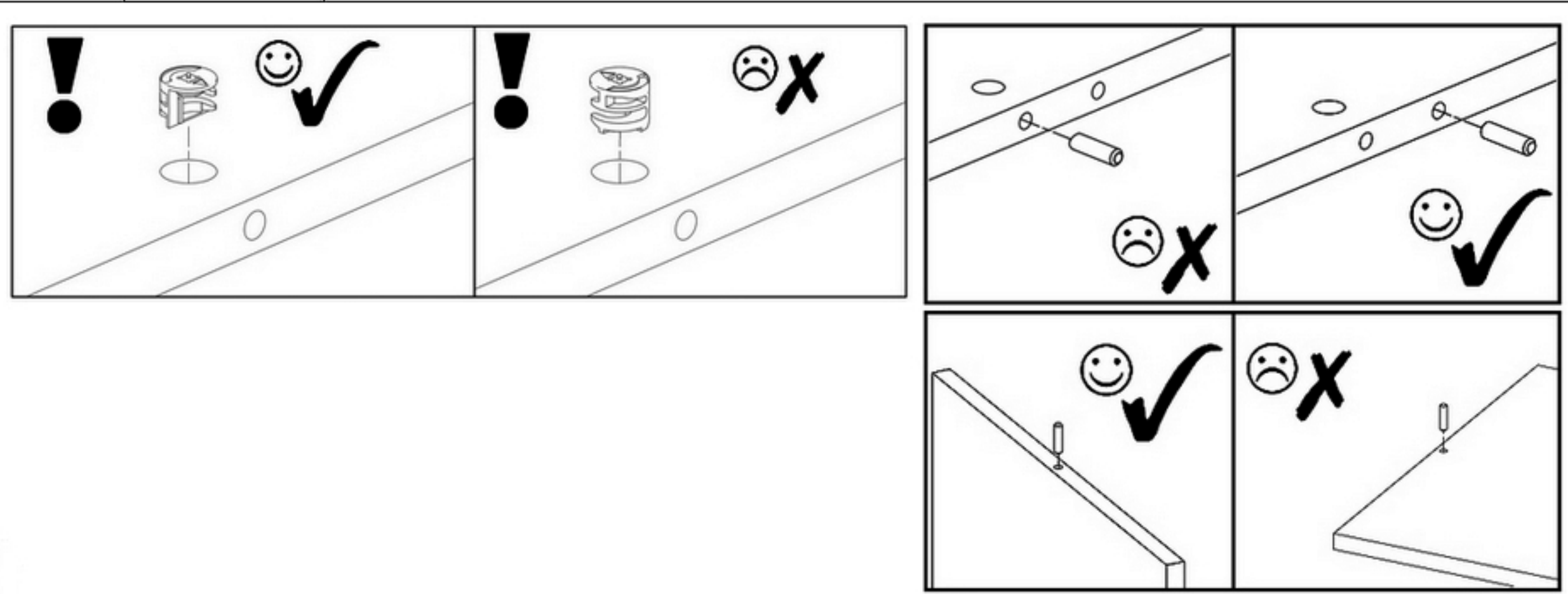
<b>M1</b>  12x15mm x2	<b>T3</b>  x1	<b>S2</b>  6x8mm x2	<b>E1</b>  8x30mm x2	<b>U4</b>  x1
--	--	--	--	--



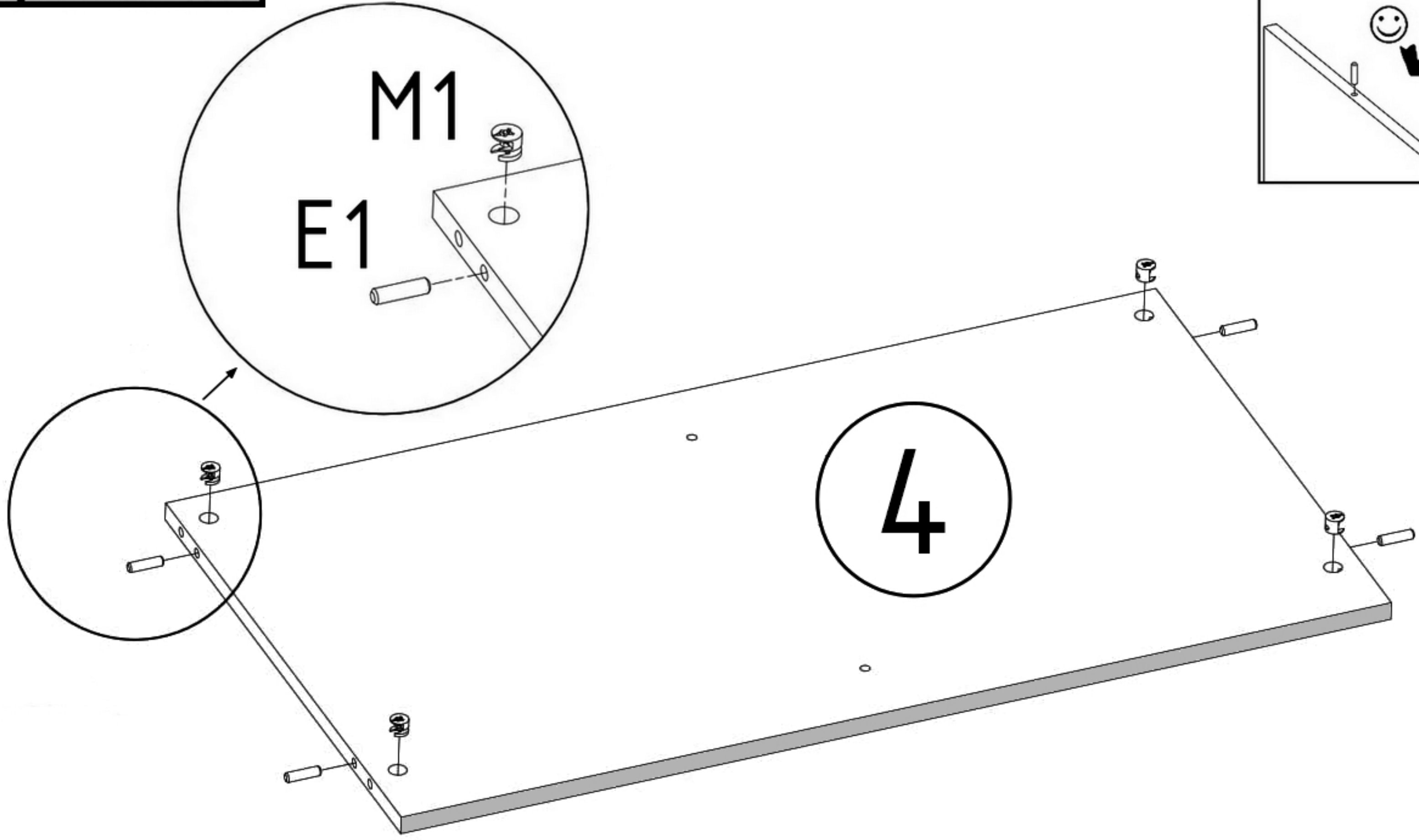
<b>T3</b>  x1	<b>S2</b>  6x8mm x2	<b>K7</b>  L=16mm x6
---	--	---





<b>E1</b>  8x30mm	<b>M1</b>  12x15mm
<b>x8</b>	<b>x8</b>

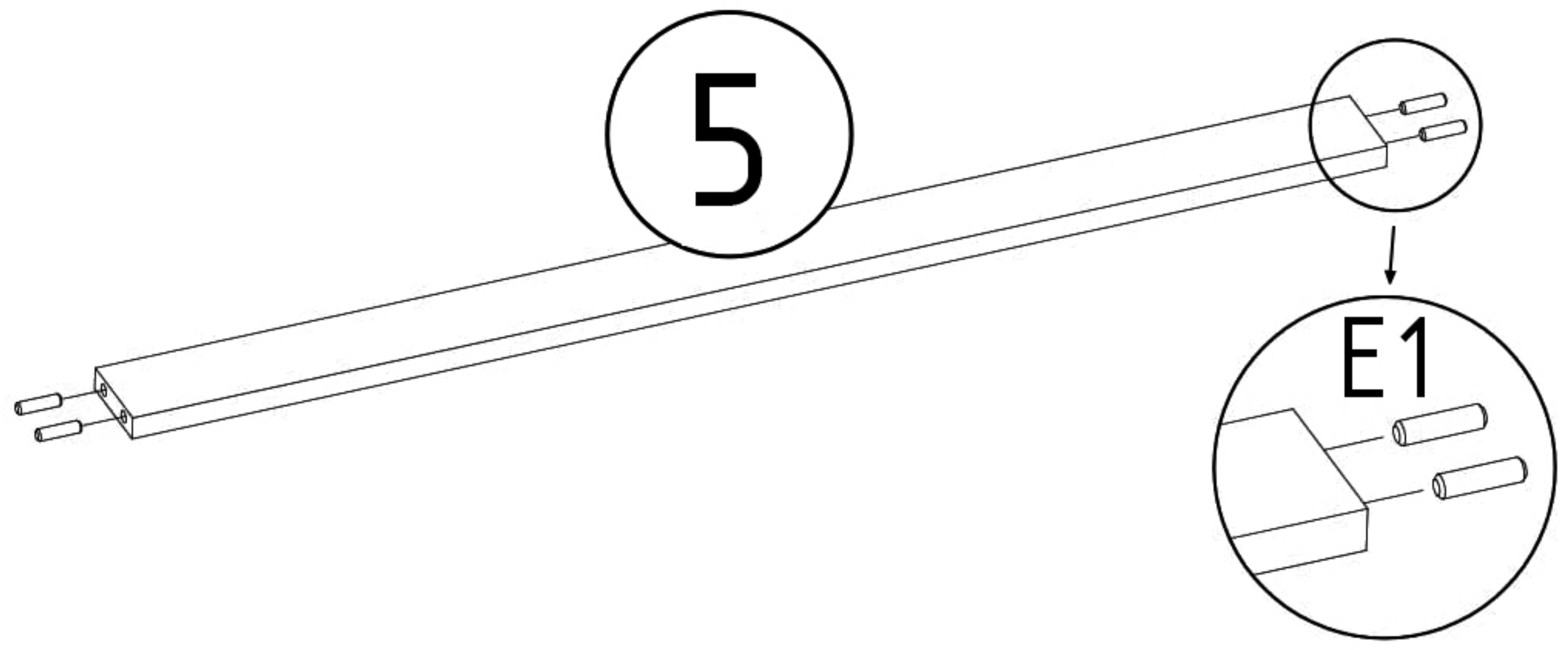


Warning diagrams showing correct and incorrect ways to use nuts and tubes on wood. The diagrams use exclamation marks (!) for warnings, smiley faces (😊) for correct usage, and sad faces (☹️) for incorrect usage. The first two diagrams show a nut being used to secure a tube to a wood surface. The first is correct (😊), the second is incorrect (☹️). The next two diagrams show a tube being used to secure a wood surface. The first is incorrect (☹️), the second is correct (😊). The last two diagrams show a tube being used to secure a wood surface at an angle. The first is correct (😊), the second is incorrect (☹️).



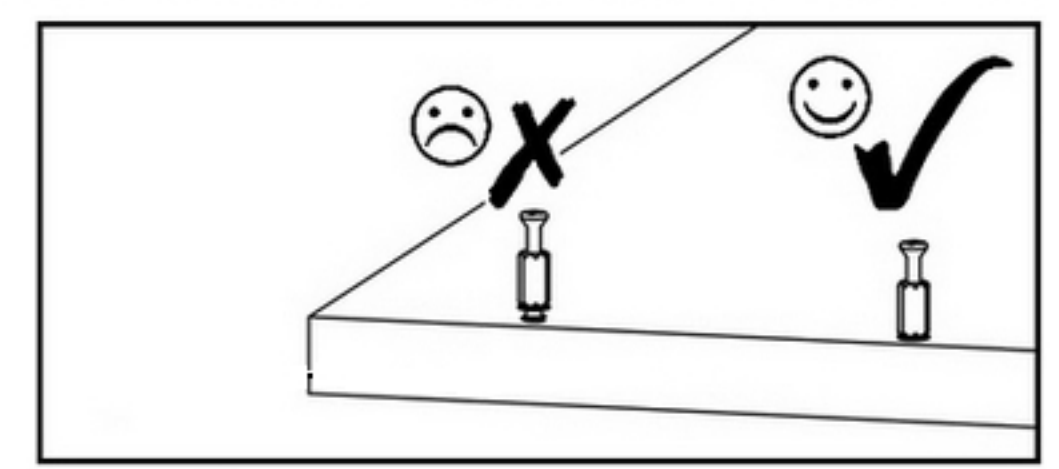
**x2**

<b>E1</b>  8x30mm	 GLUE
<b>x12</b>	<b>x 1</b>

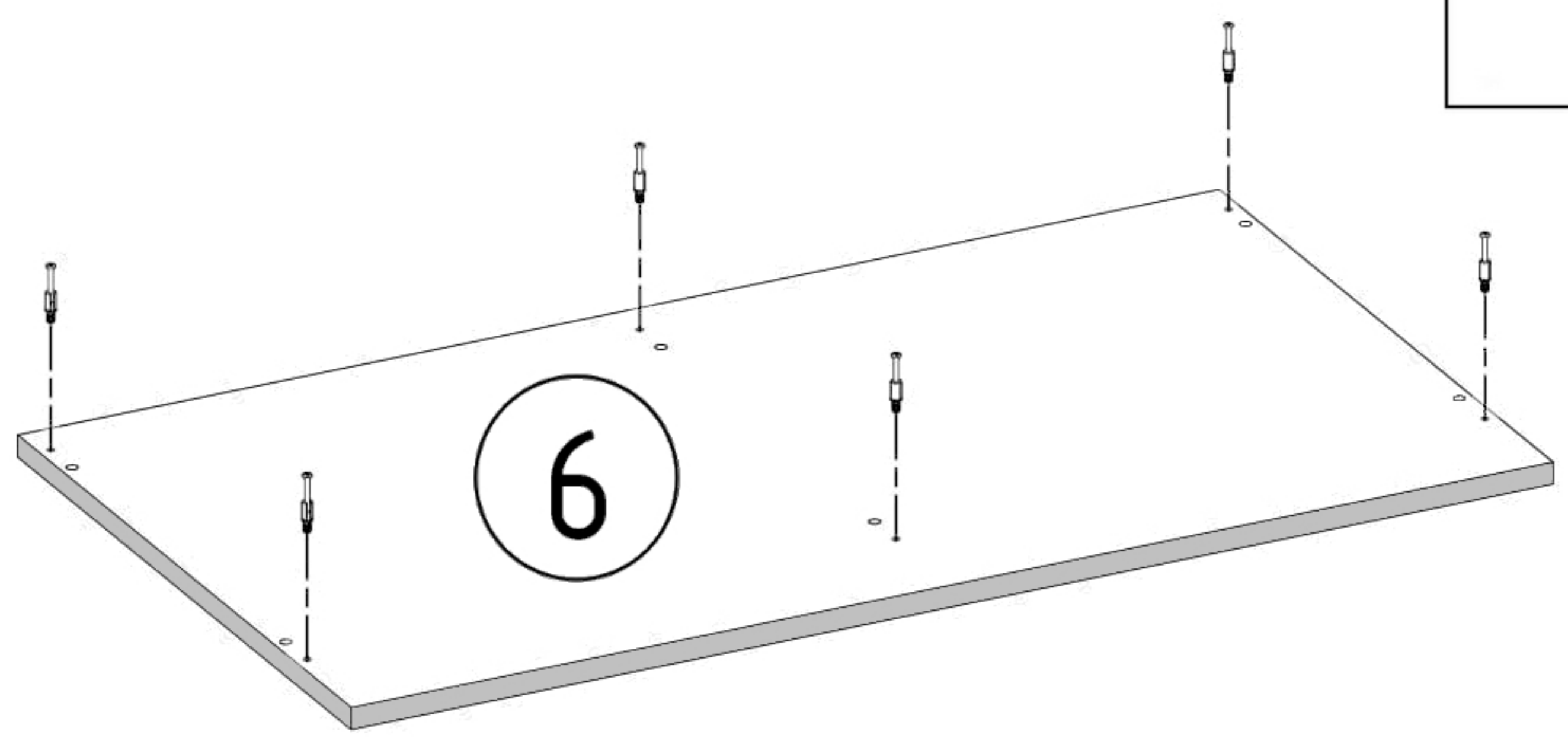


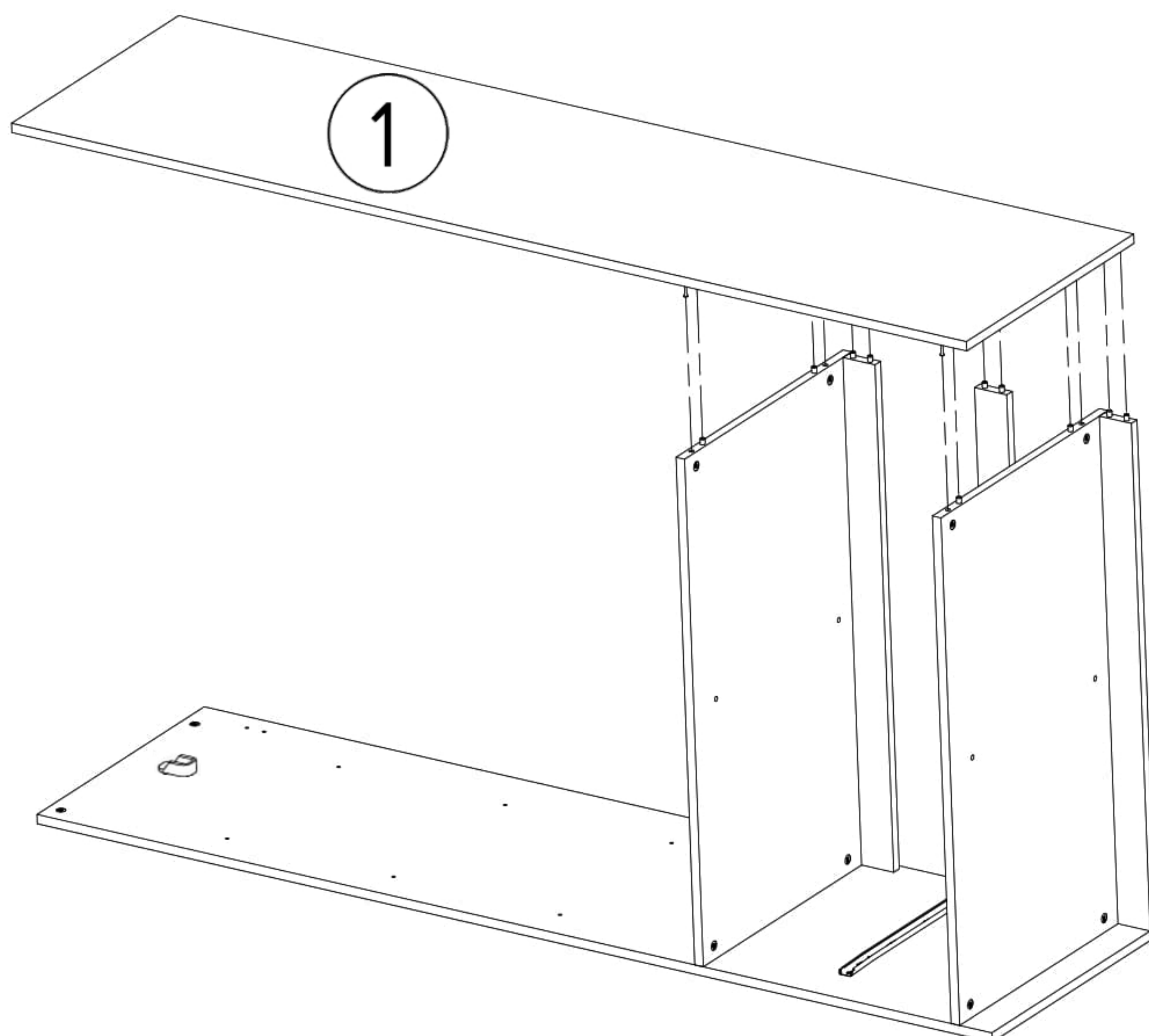
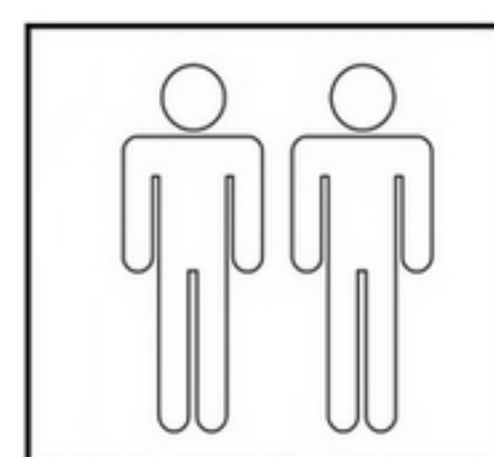
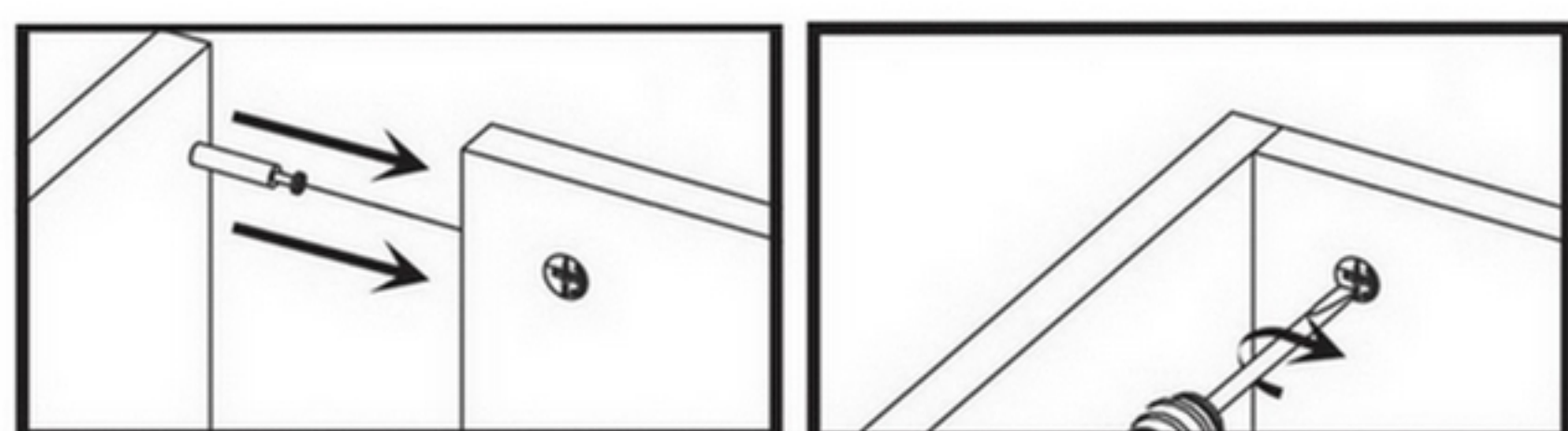
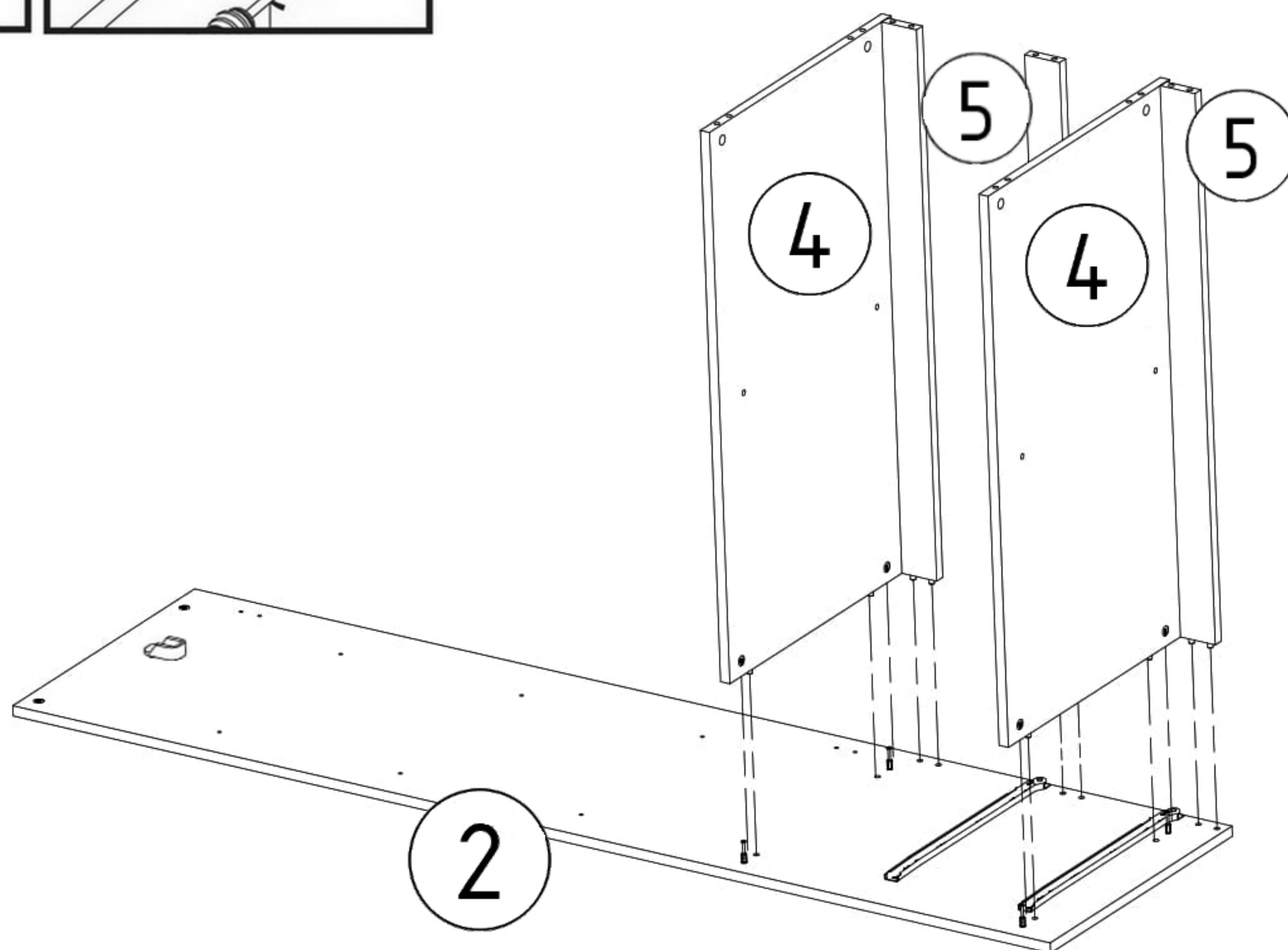
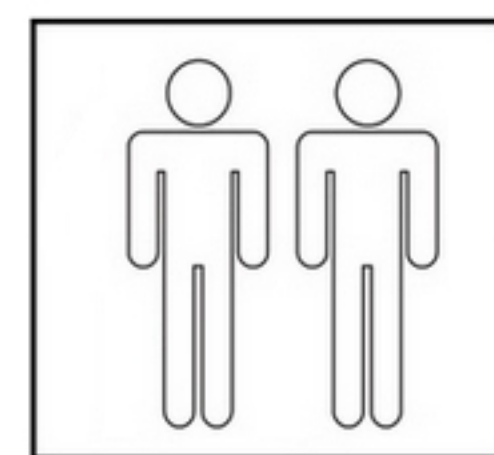
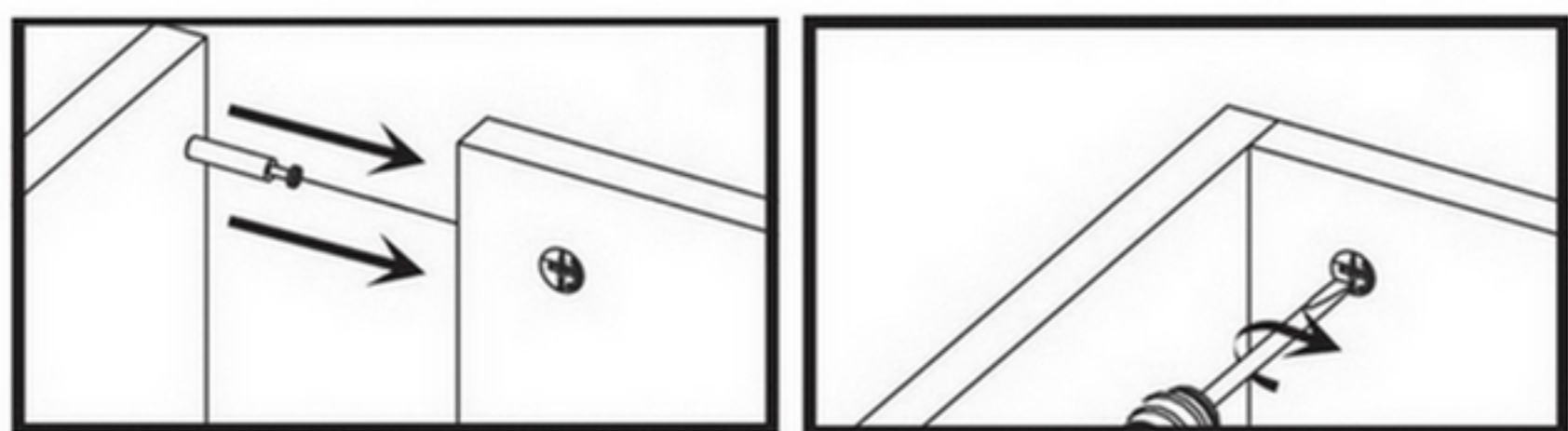
**x3**

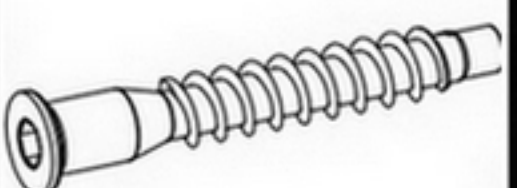
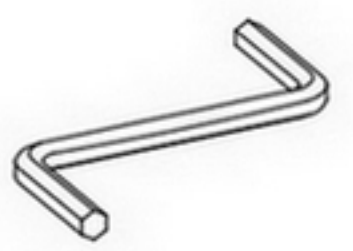
<b>N1</b>  L=35mm
<b>x6</b>

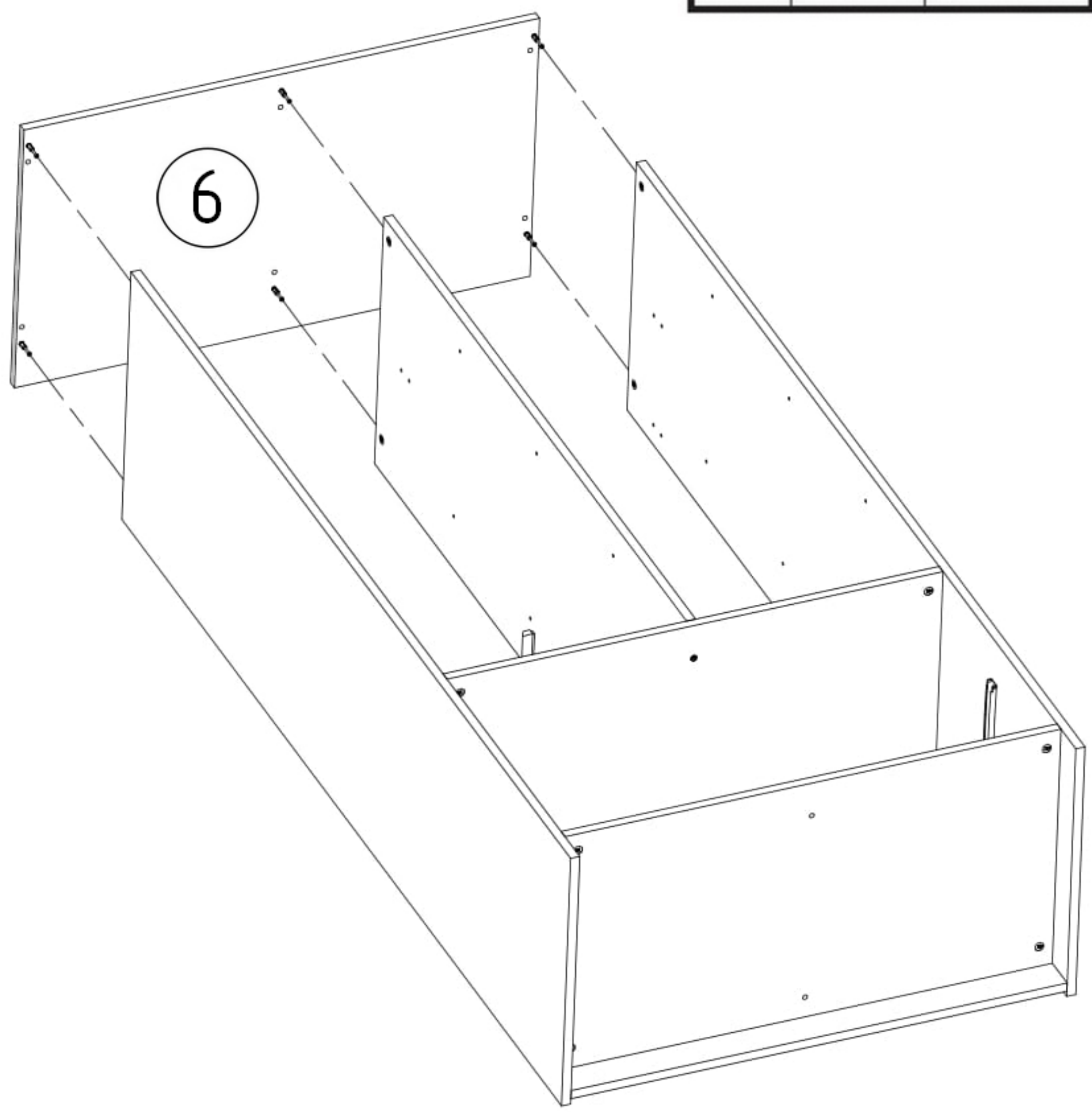
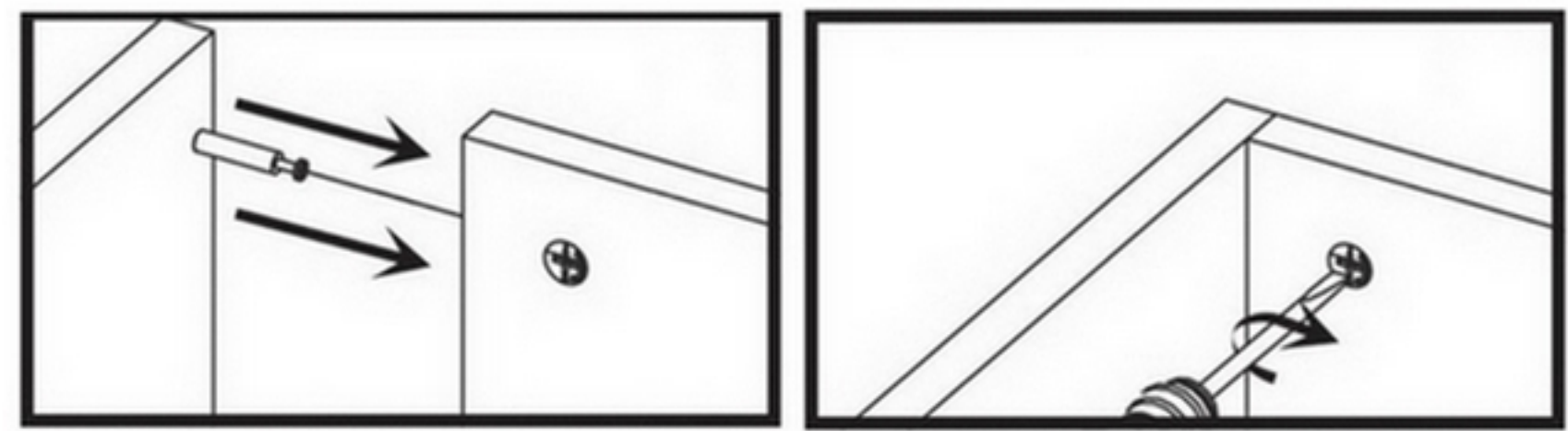
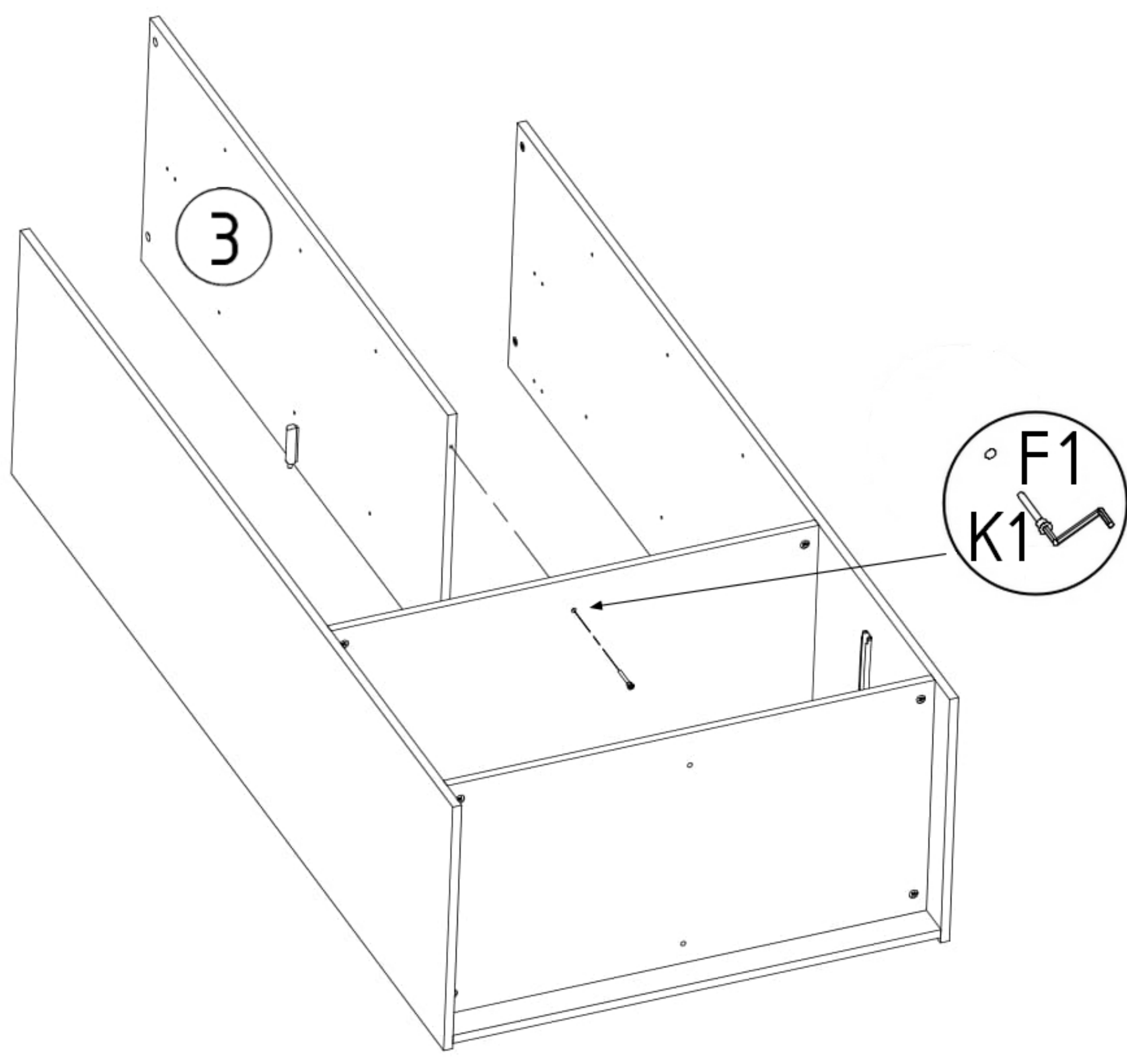





Warning diagram showing correct and incorrect ways to use a screw on wood. The diagram shows a screw being used to secure a wood surface. The first is incorrect (☹️), the second is correct (😊).

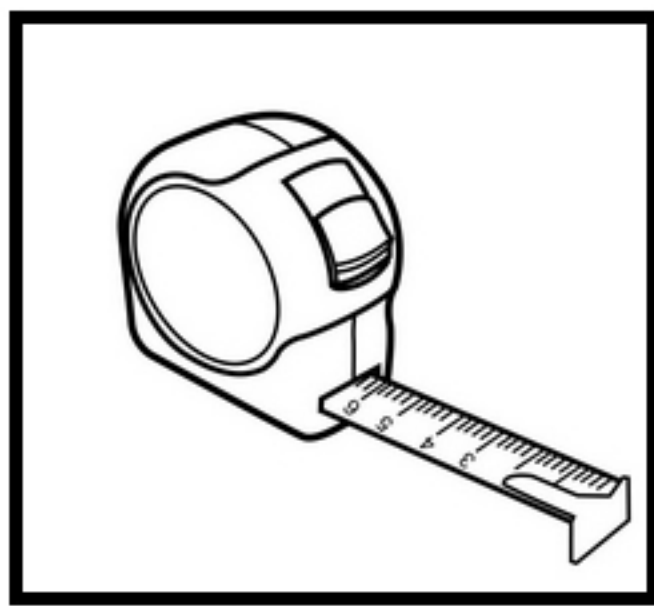
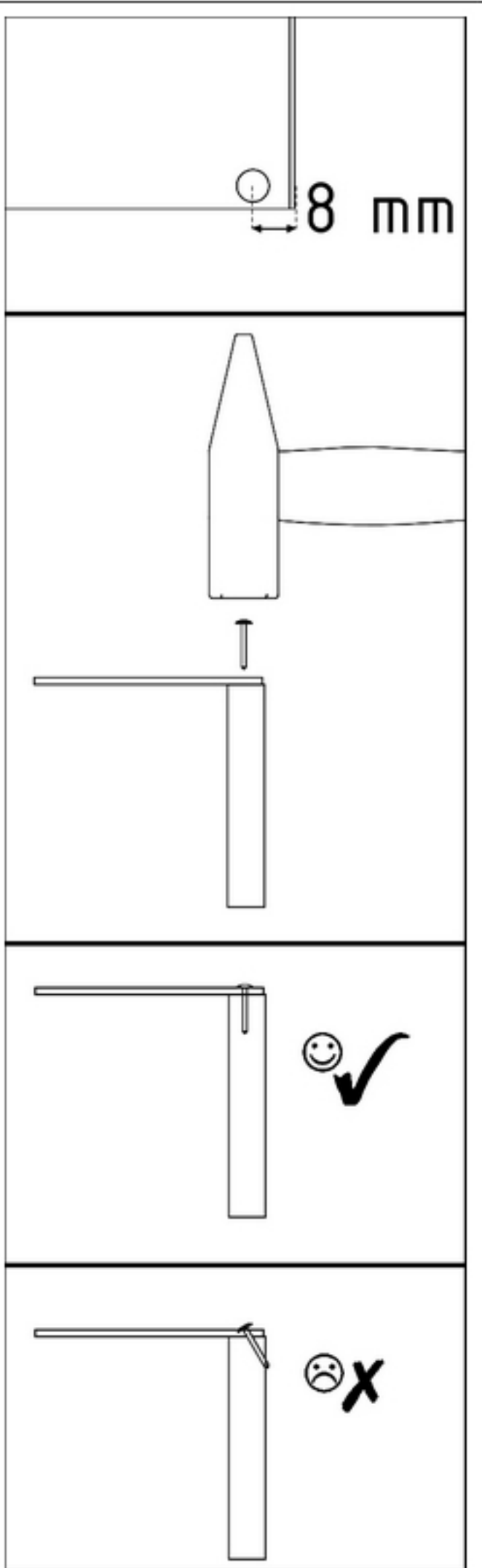
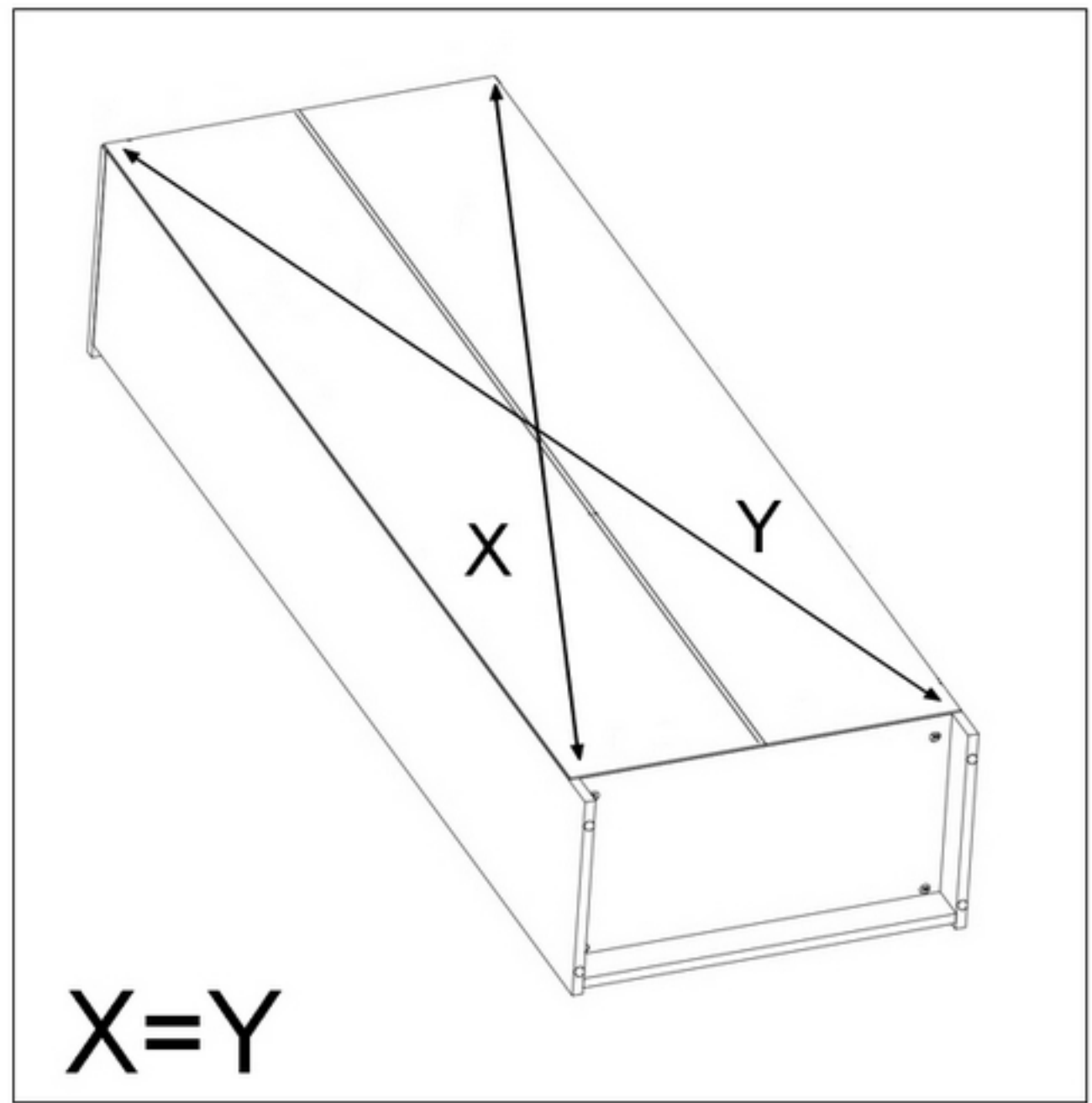
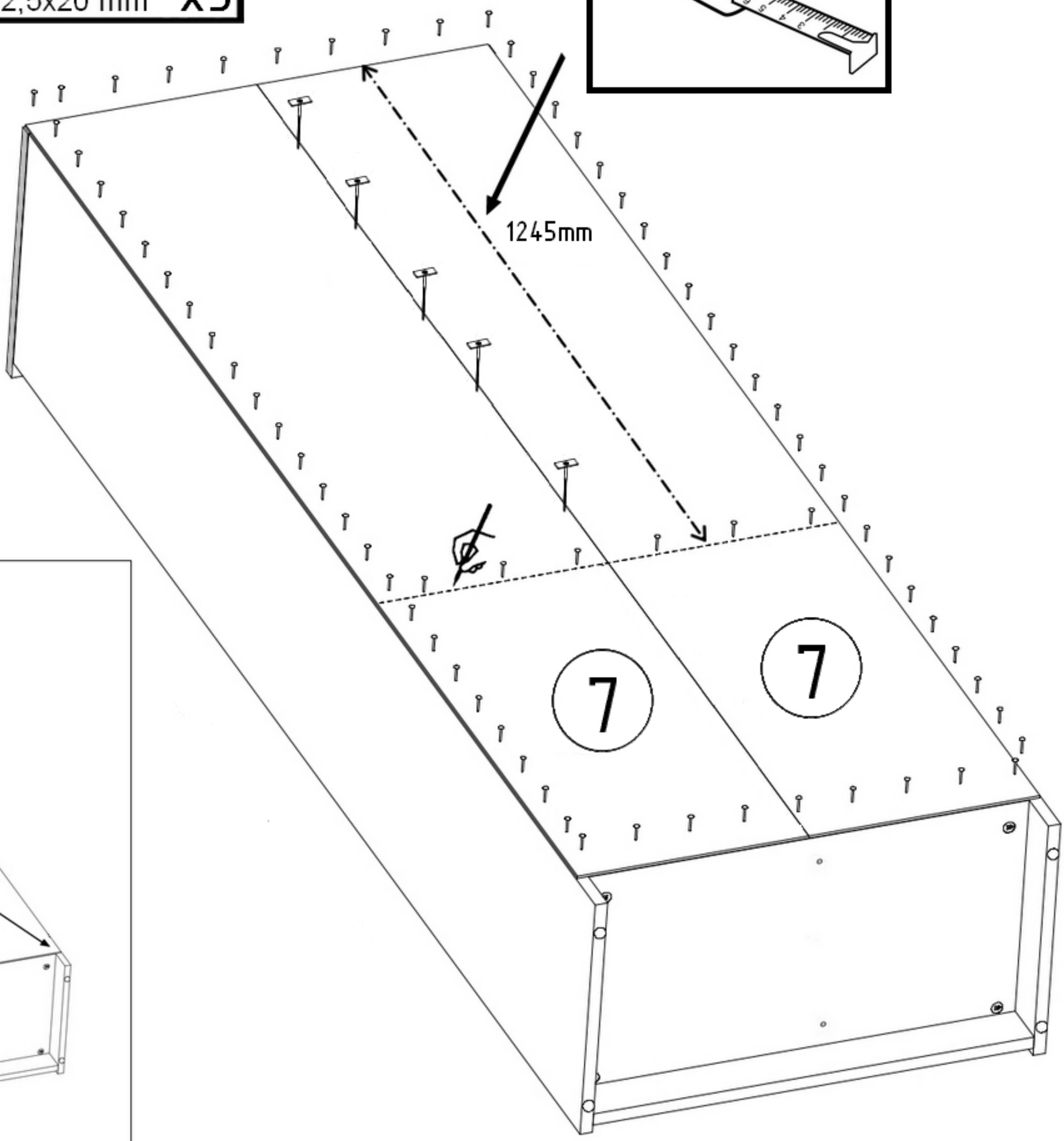


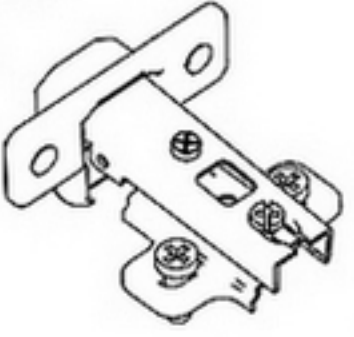



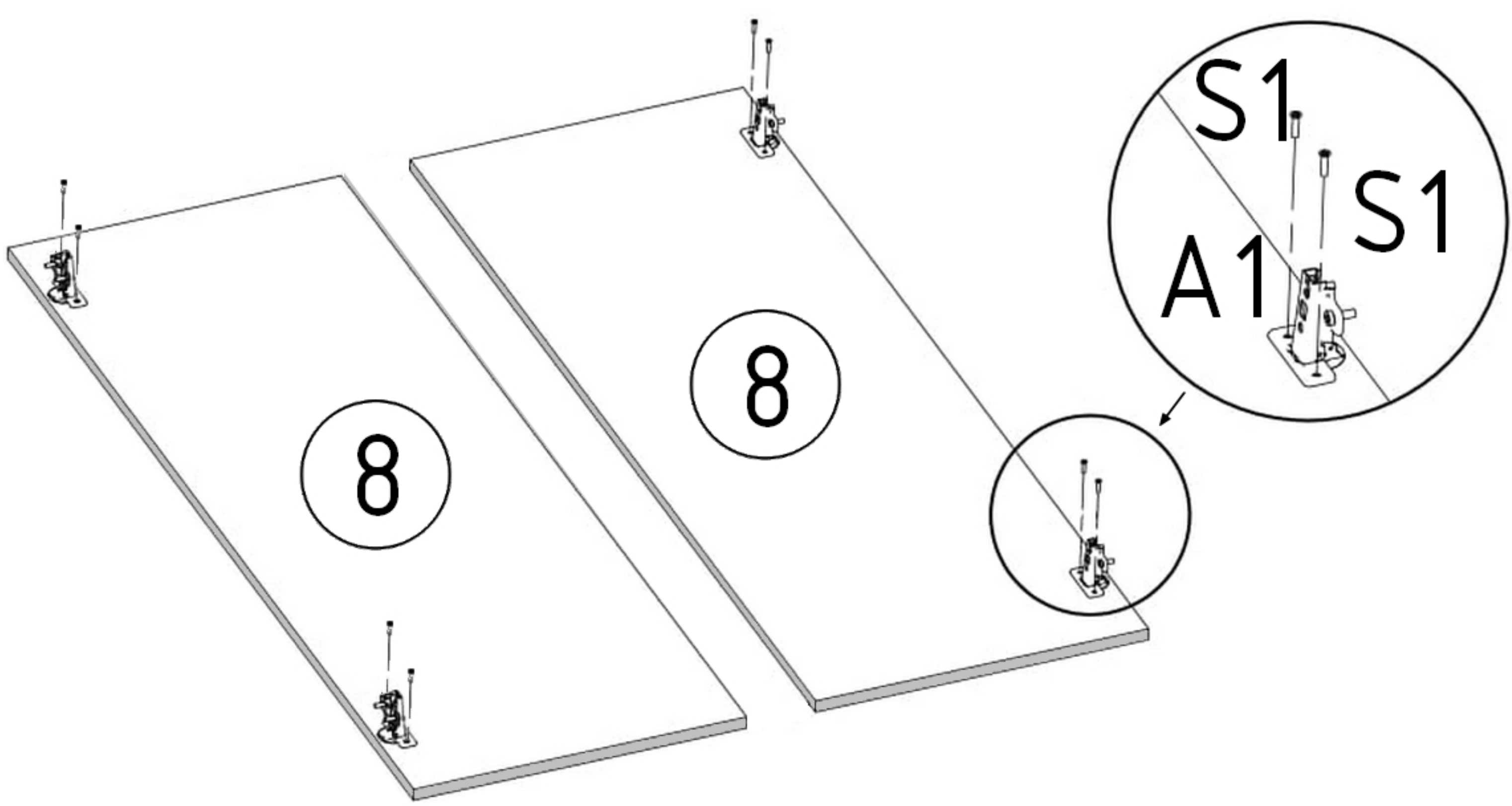
<b>F1</b>  7x50mm x2	<b>K1</b>  x1
--	--



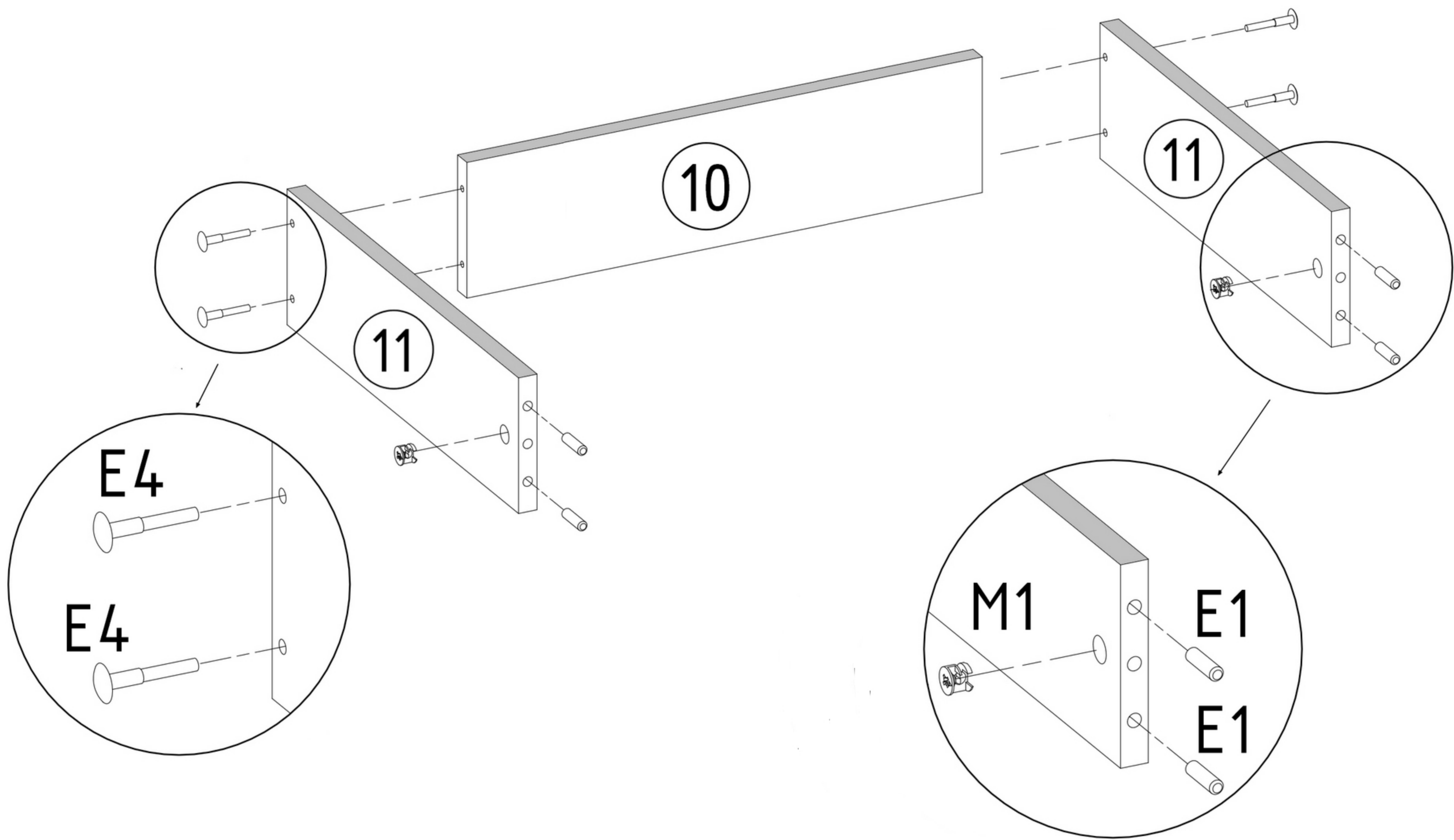
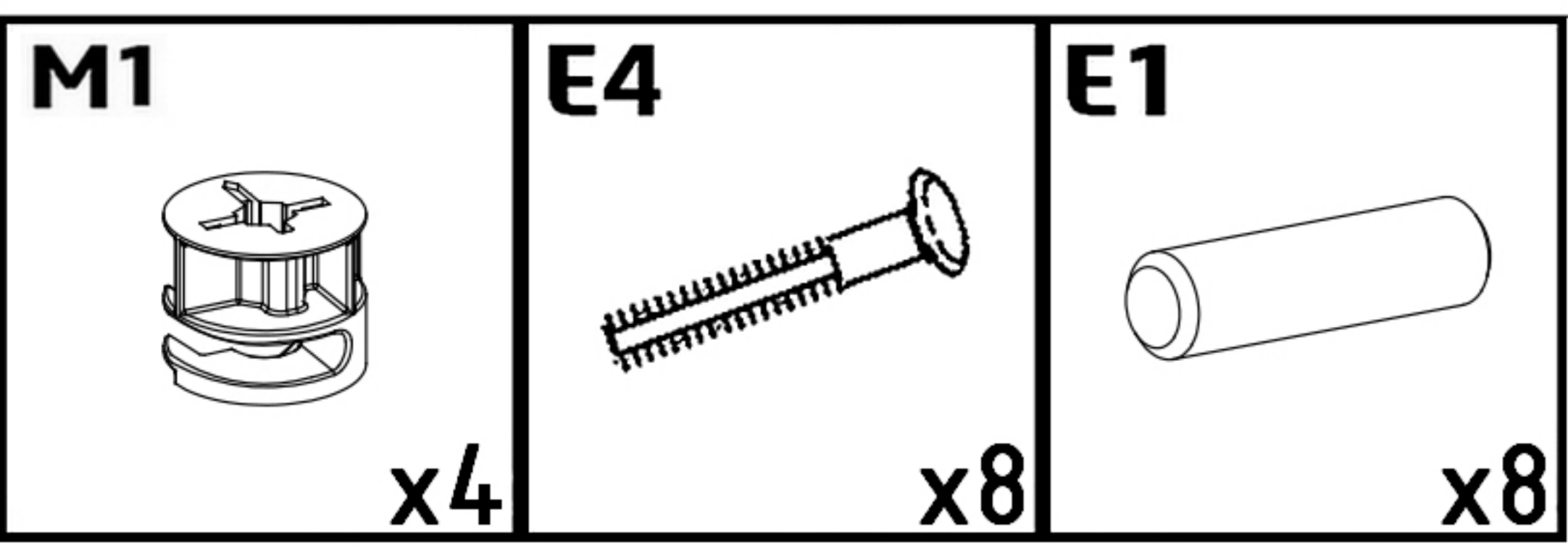
<b>Z1</b>  x90	<b>Z4</b>  x5	<b>S7</b>  2,5x20 mm x5
---	--	--

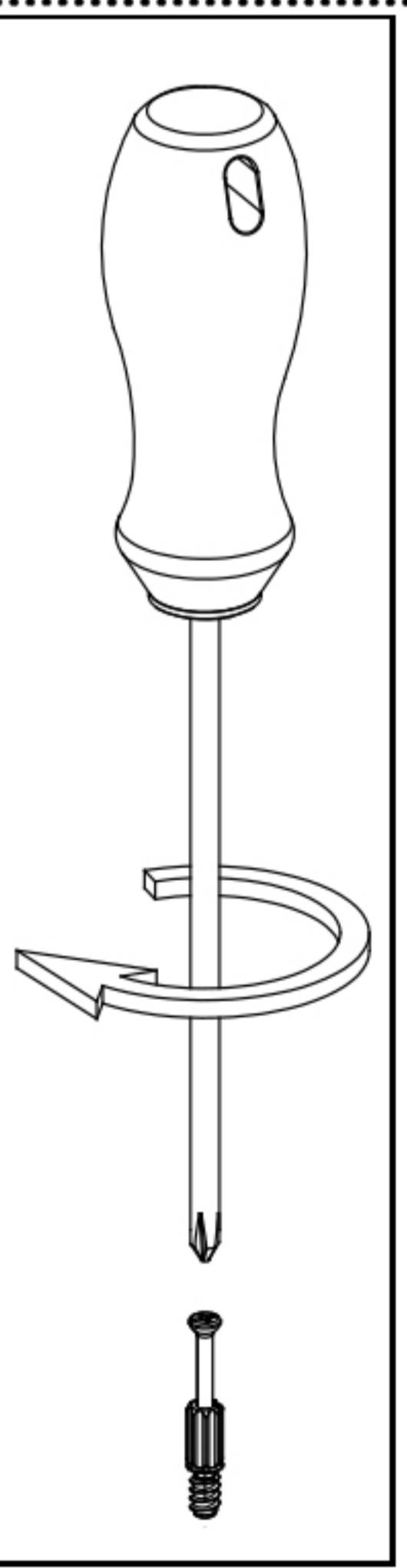
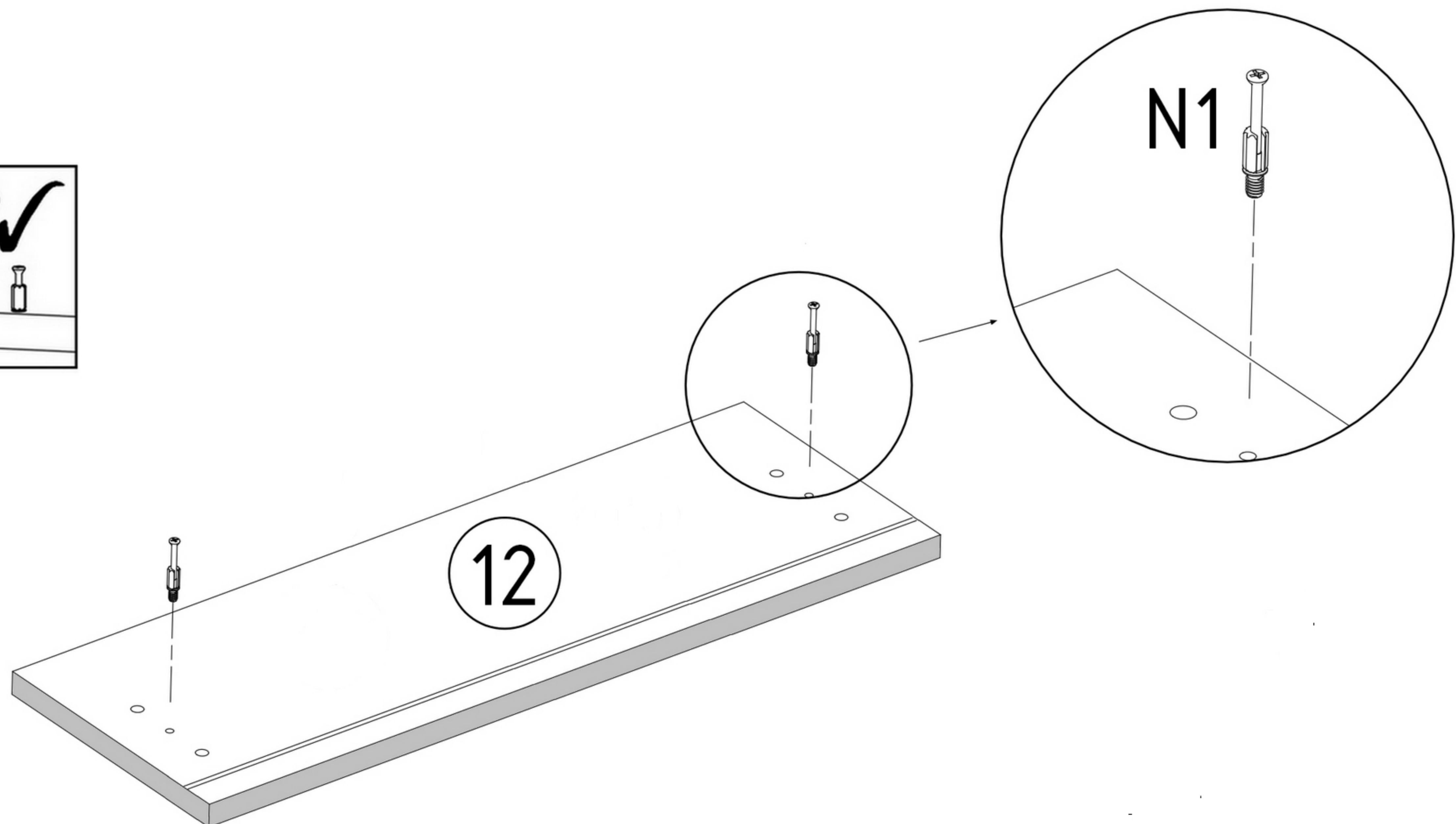
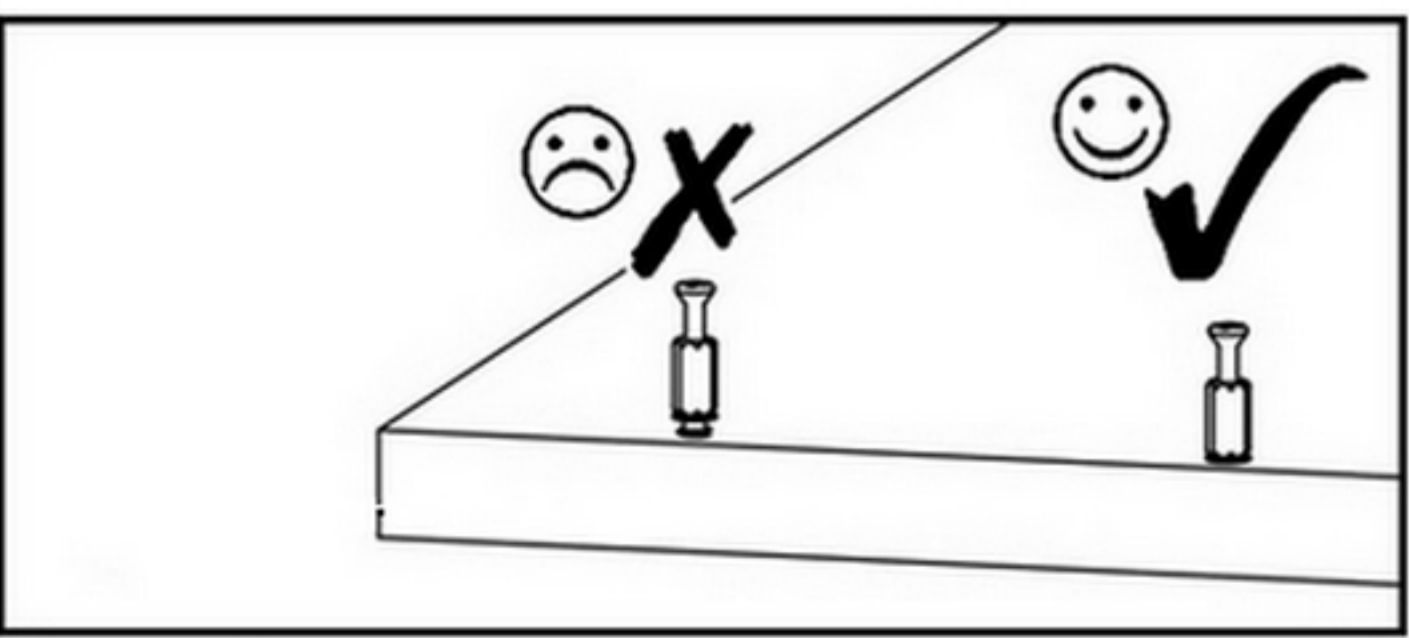
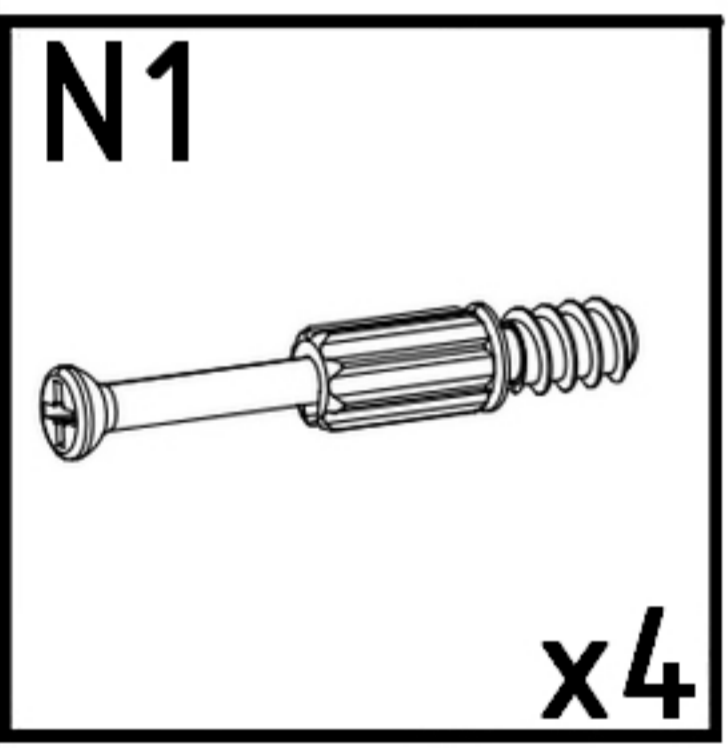
<b>A1</b>  ZP x4	<b>S1</b>  3,5x16mm x8
---	---





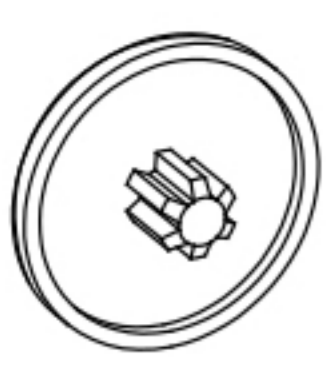


x2

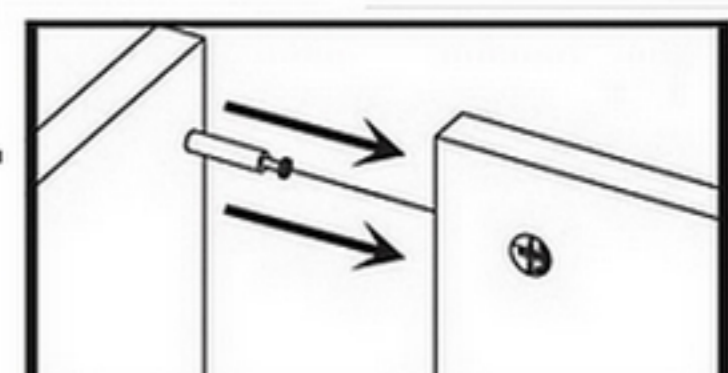


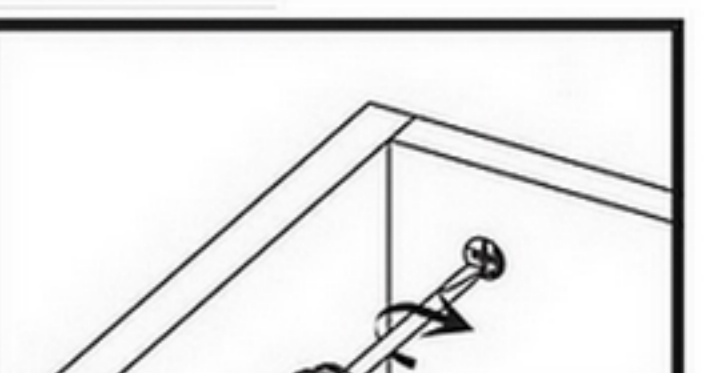
x2

**M2**

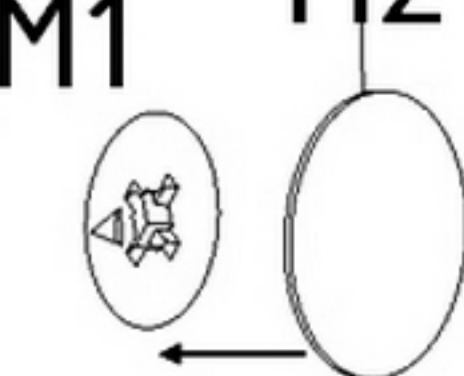
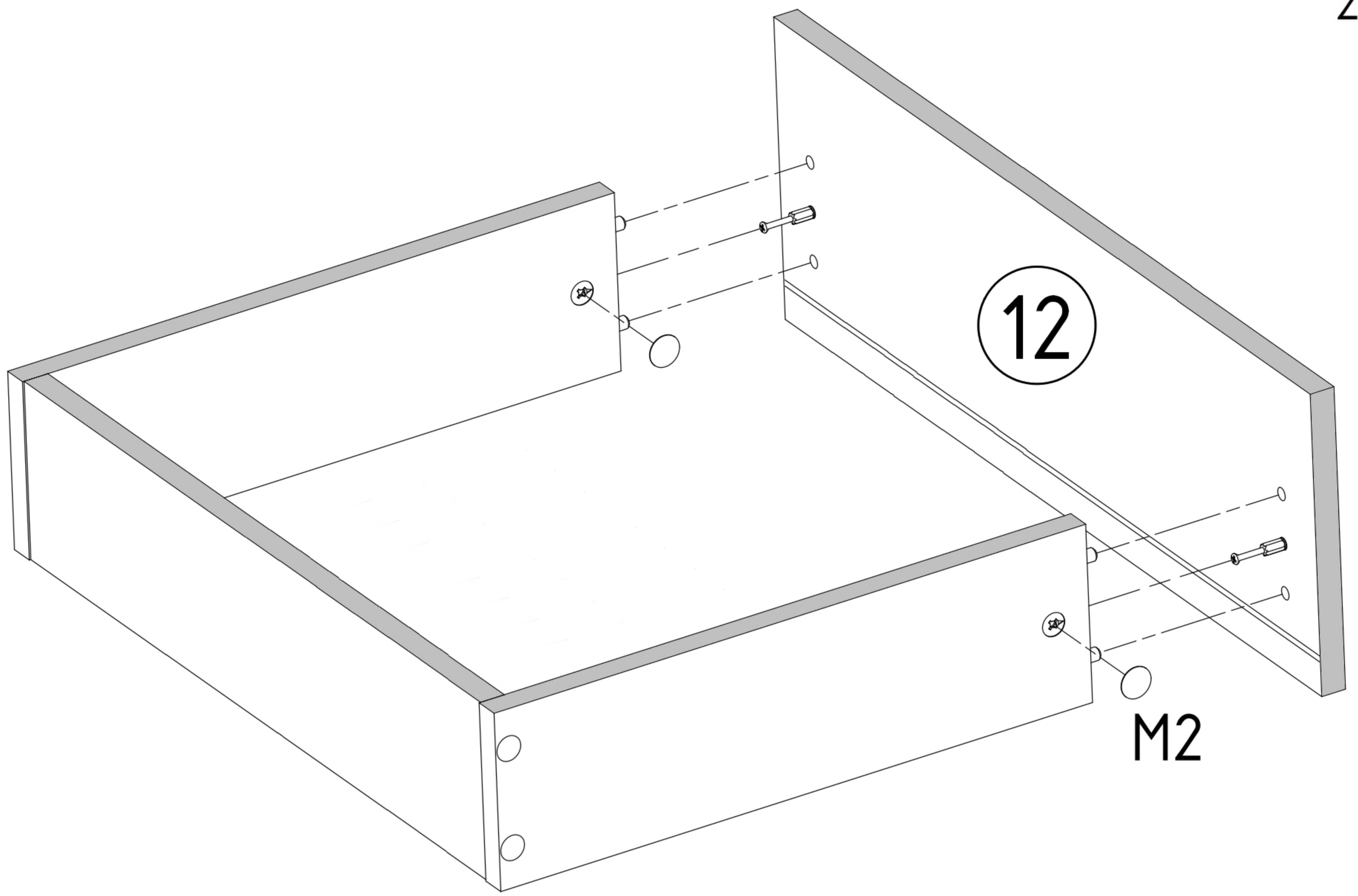


**x4**

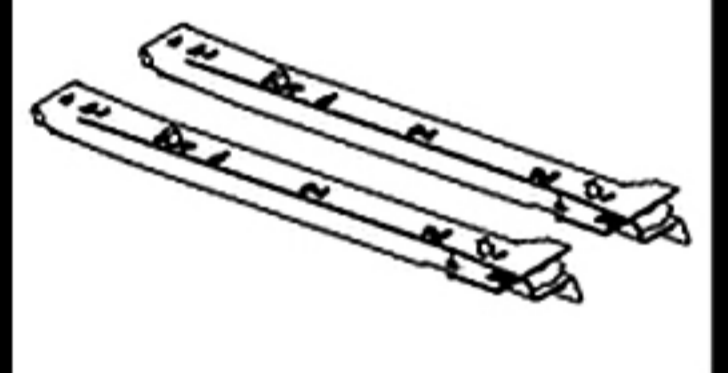
1. 

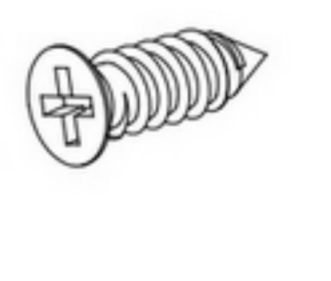
2. 

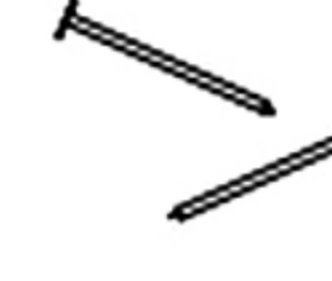
**M1** **M2**

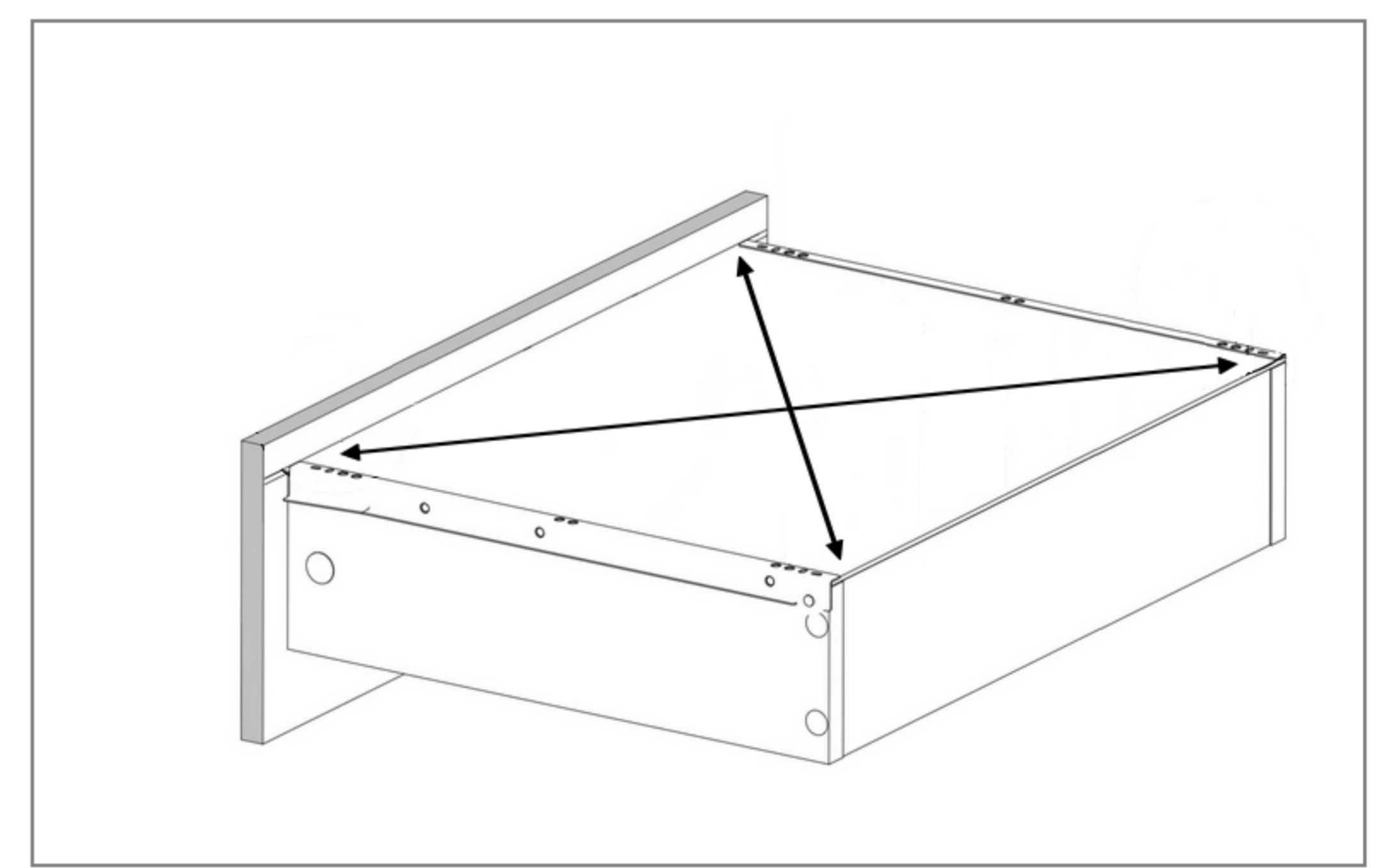



**x2**

**P4**  **x4**

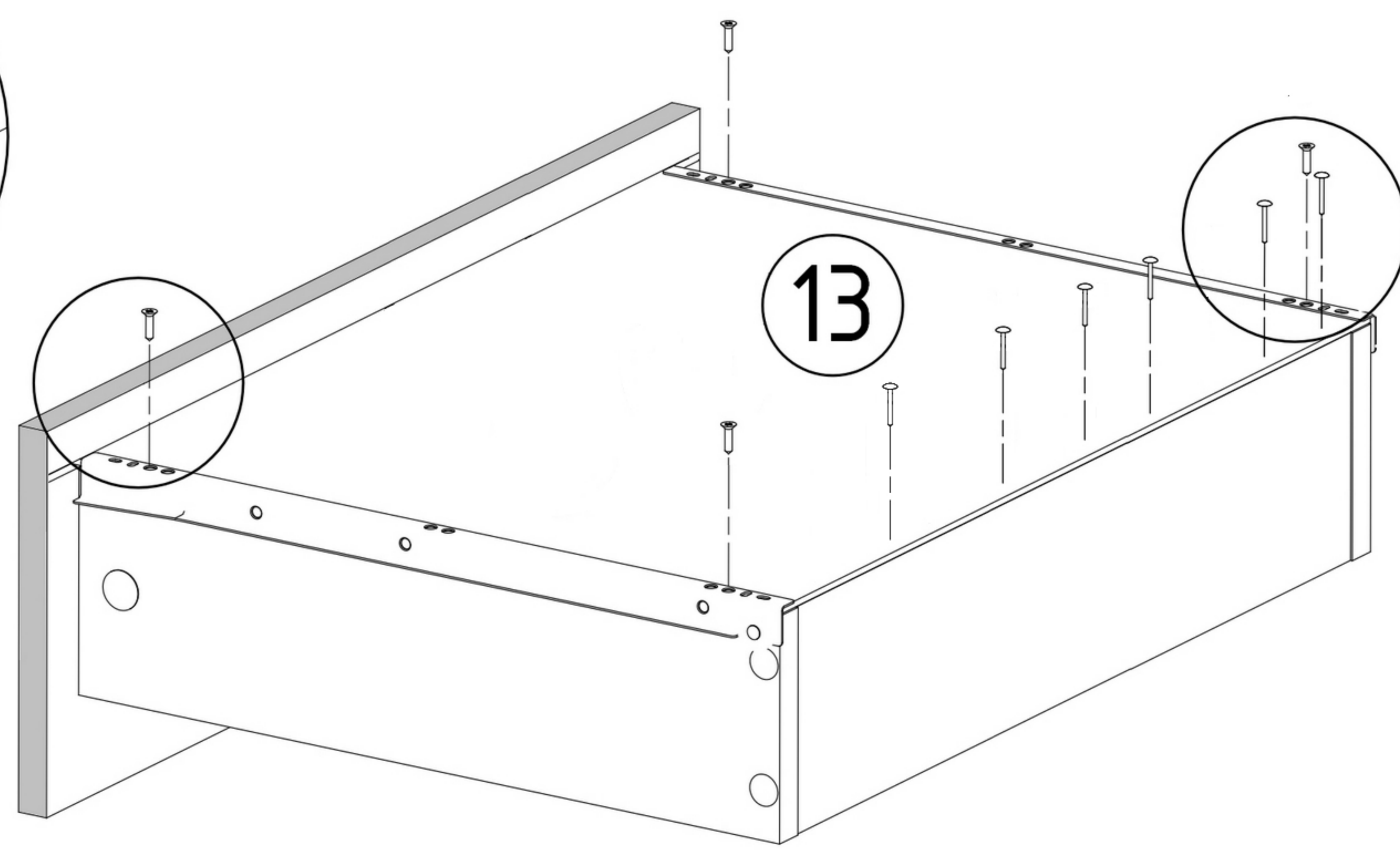
**S1**  **x8**

**Z2**  **x10**



**S1**




**P4**

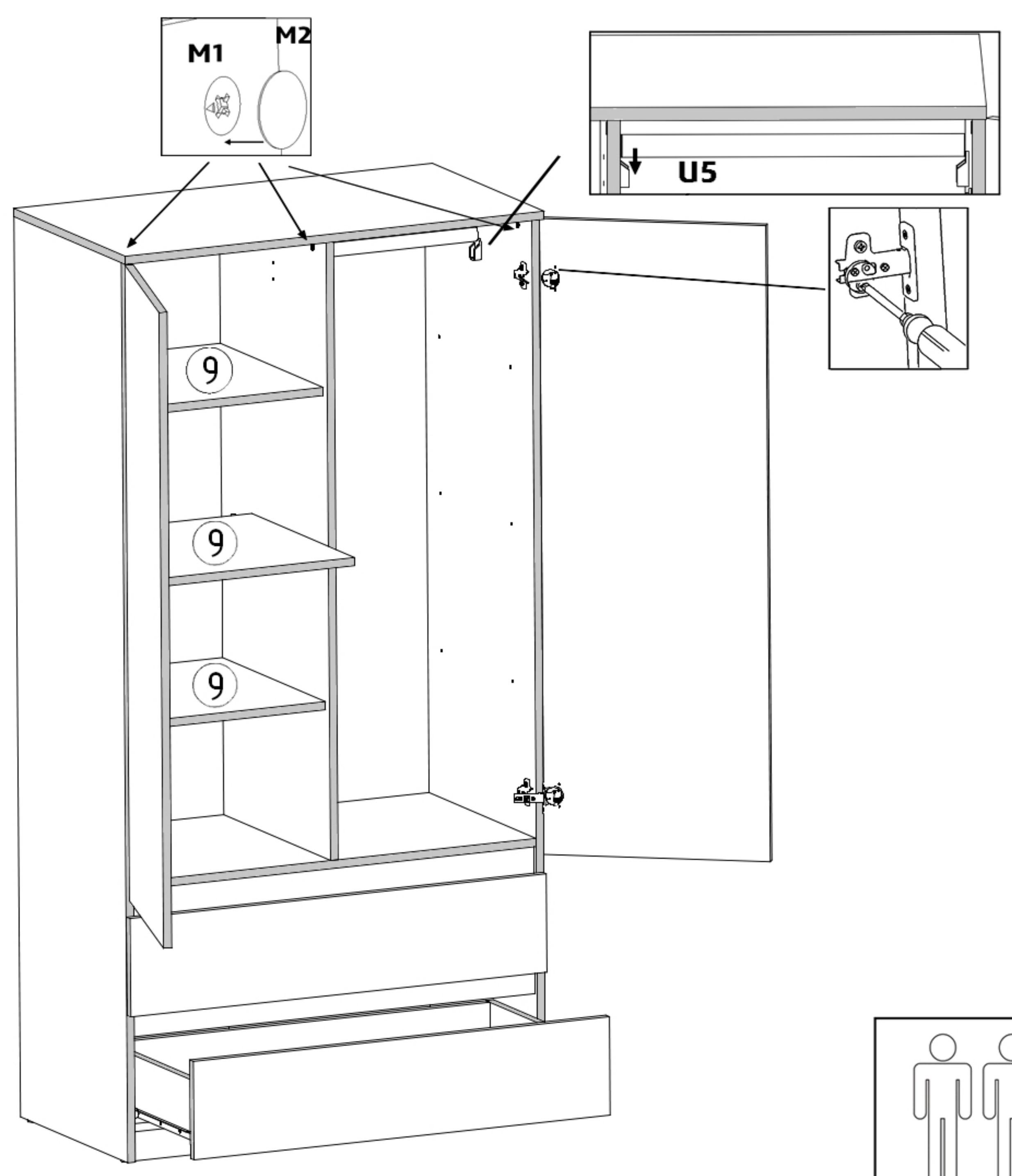
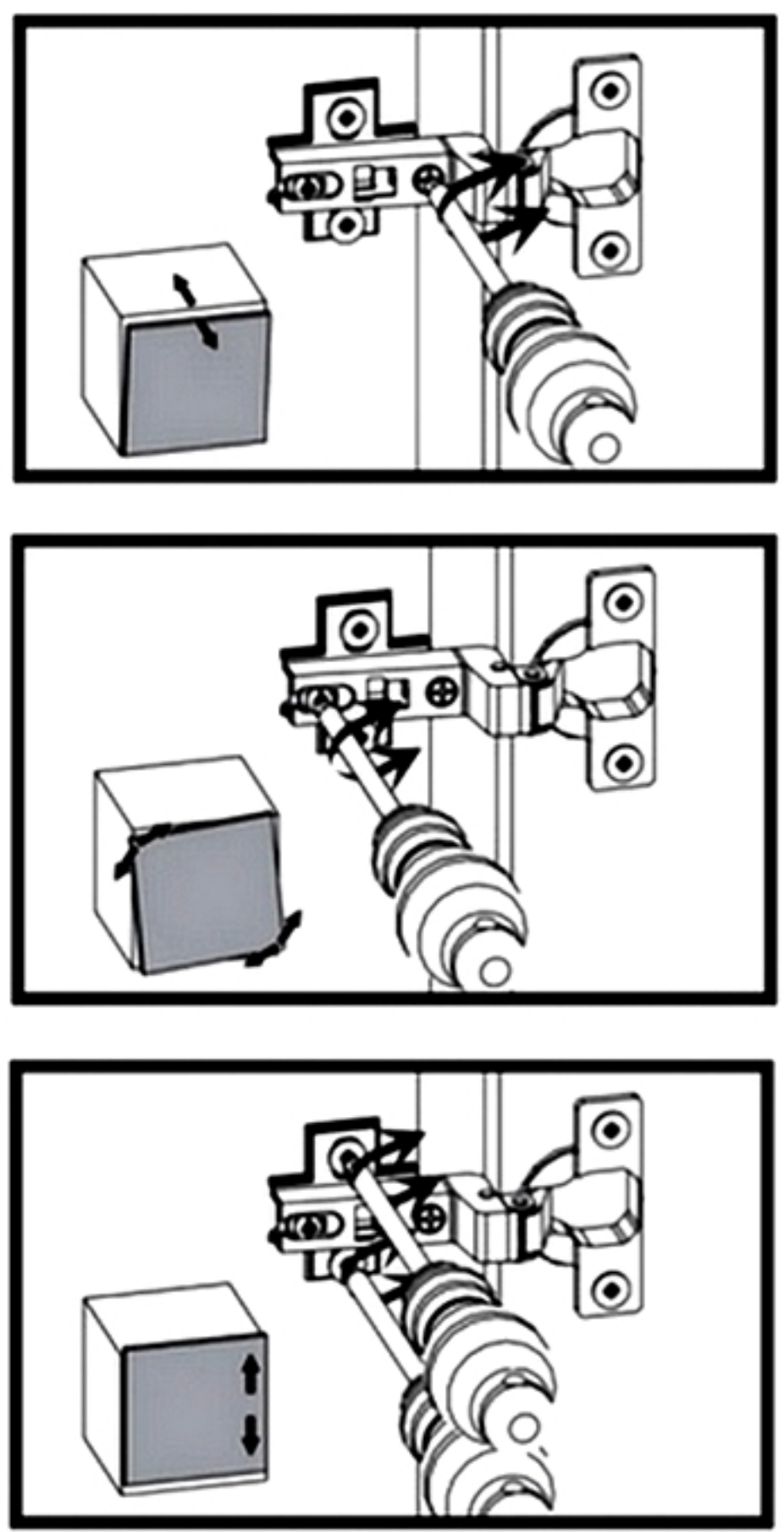



**Z2** **S1**

**P2**

**x2**

<b>U5</b>  <b>x 1</b>	<b>U4</b>  <b>x 2</b>	<b>M2</b>  ø16mm <b>x 6</b>
--	--	---



<b>K2</b>  <b>x 1</b>
---

