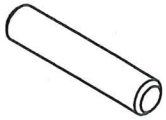


Ax10



Ø8x35

Bx10



7x60

Cx8



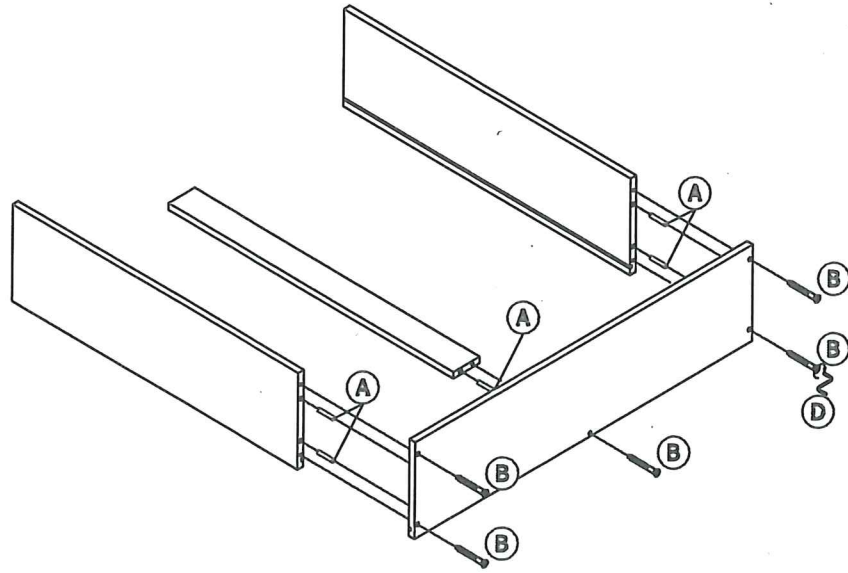
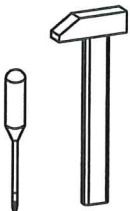
3x12

Dx1

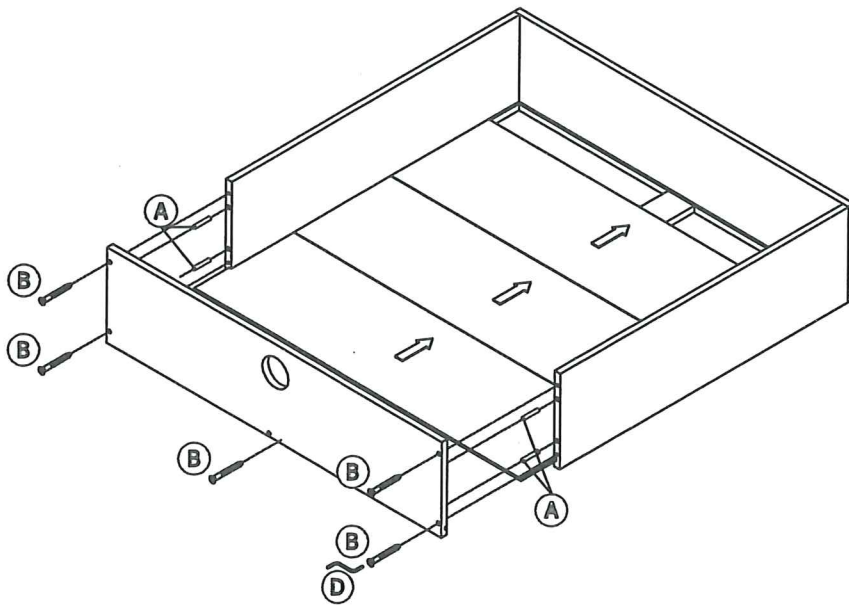


4mm

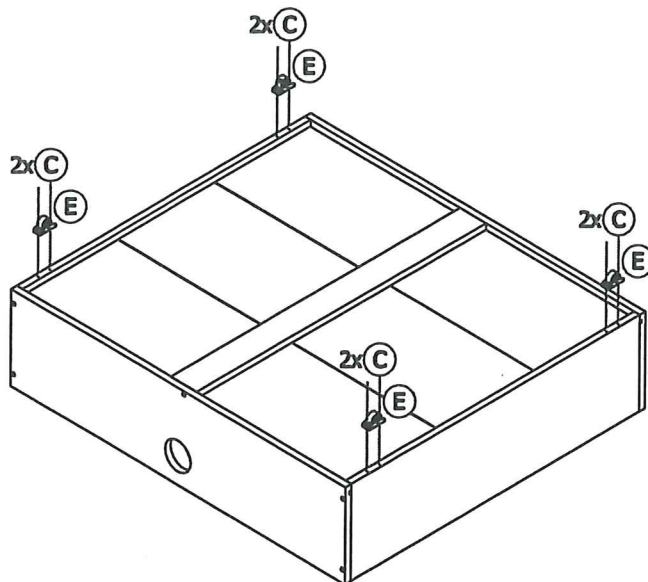
Ex4



I



II



III