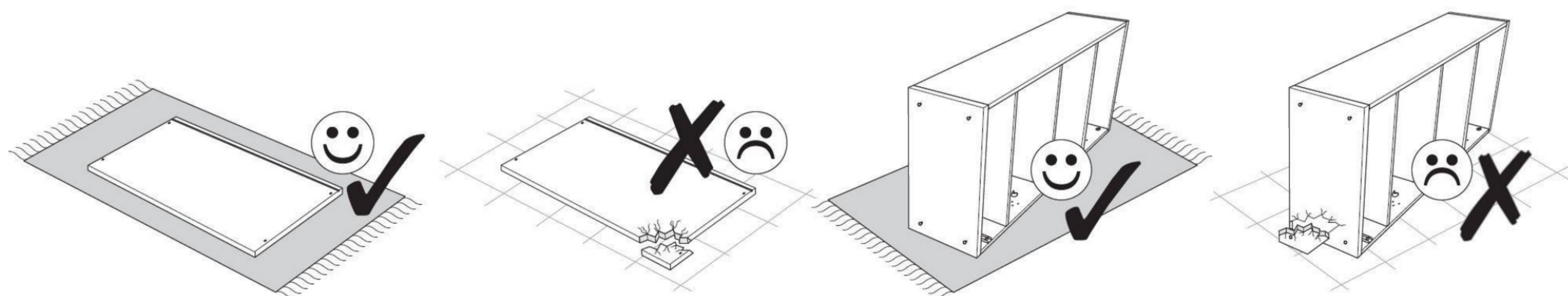
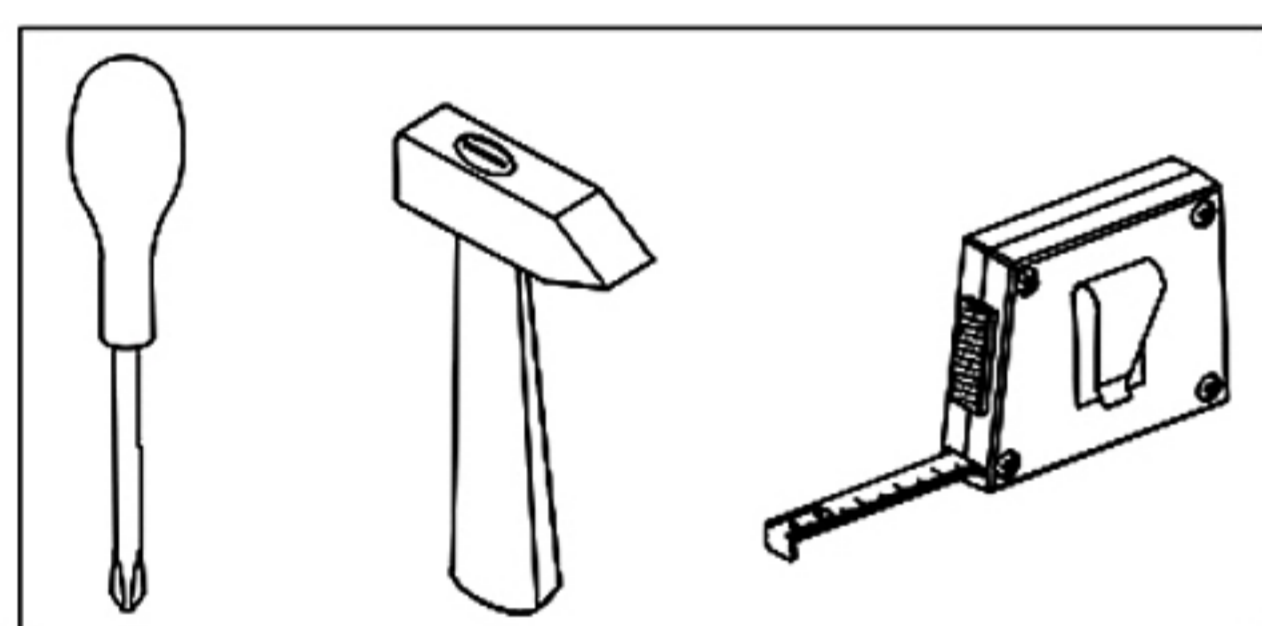
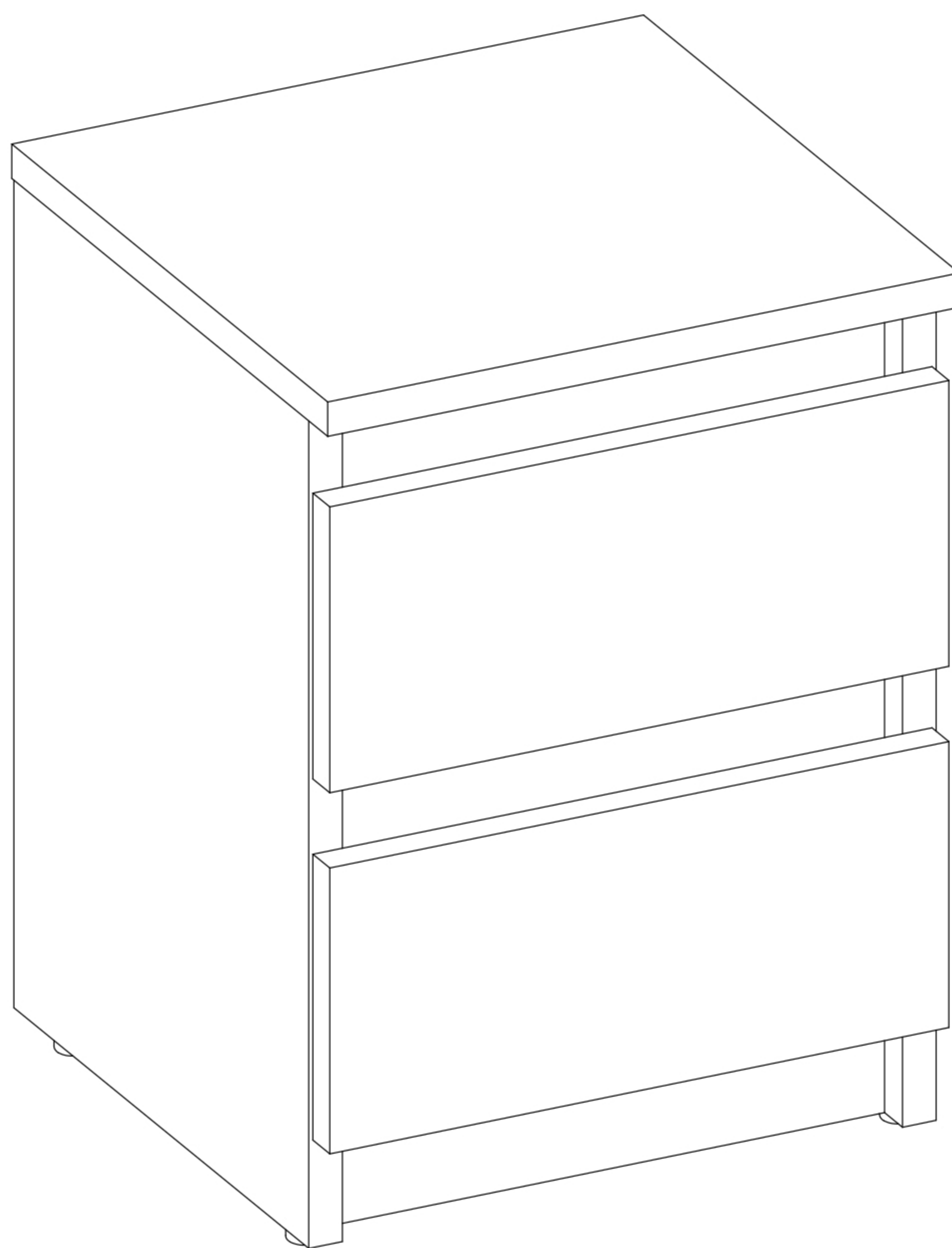
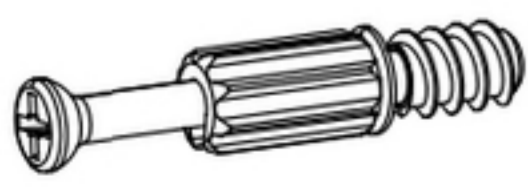



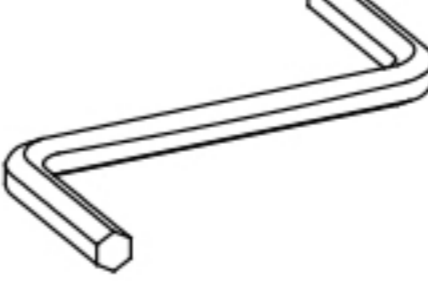


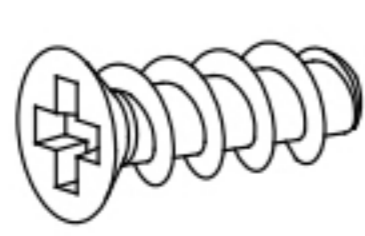

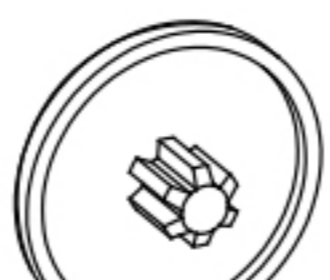
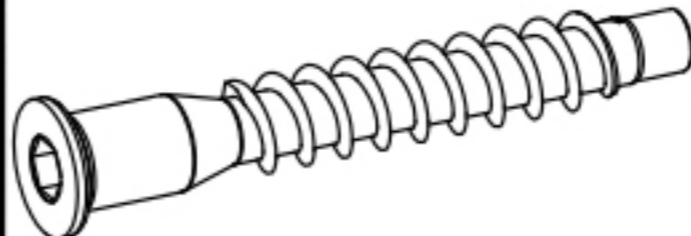
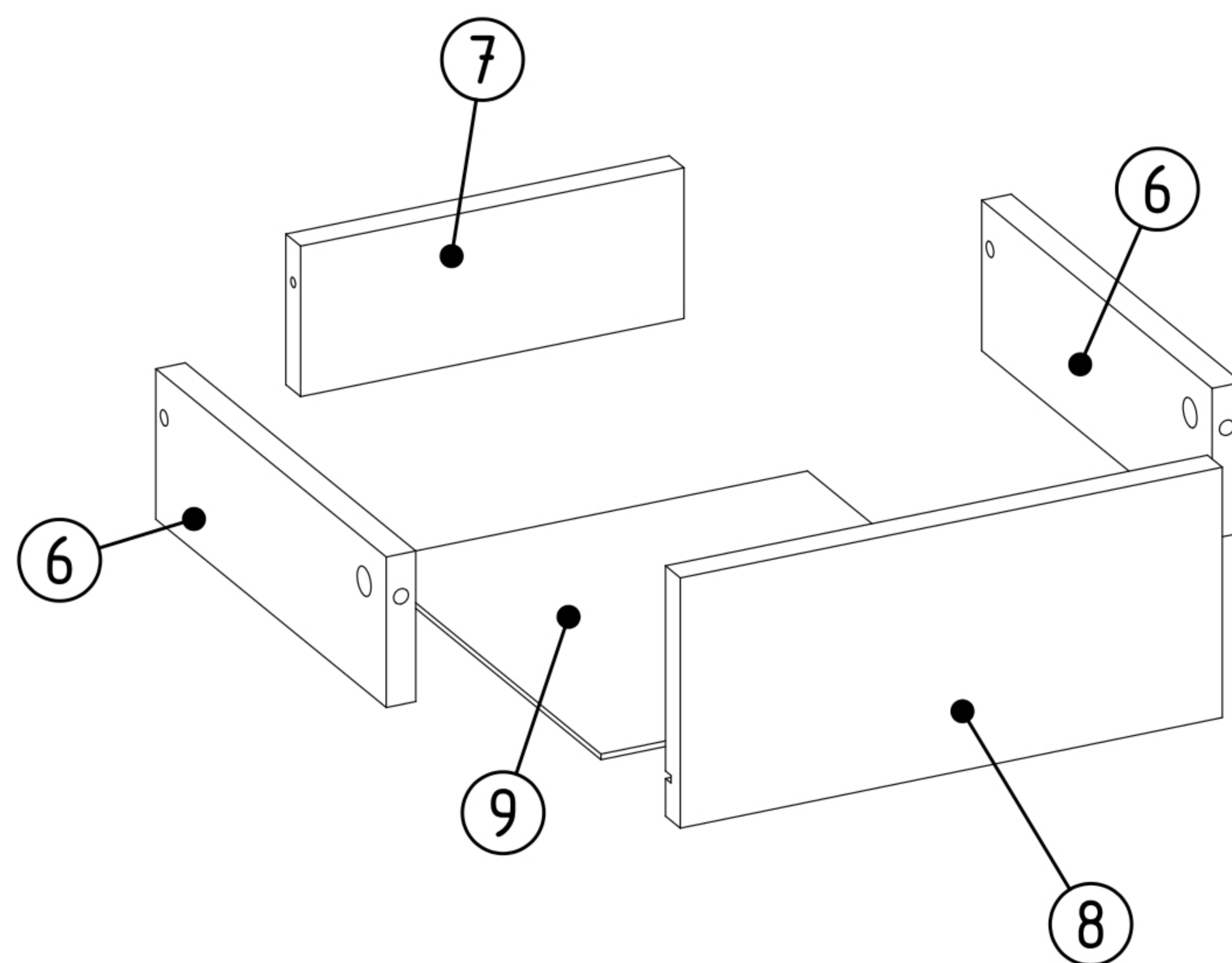
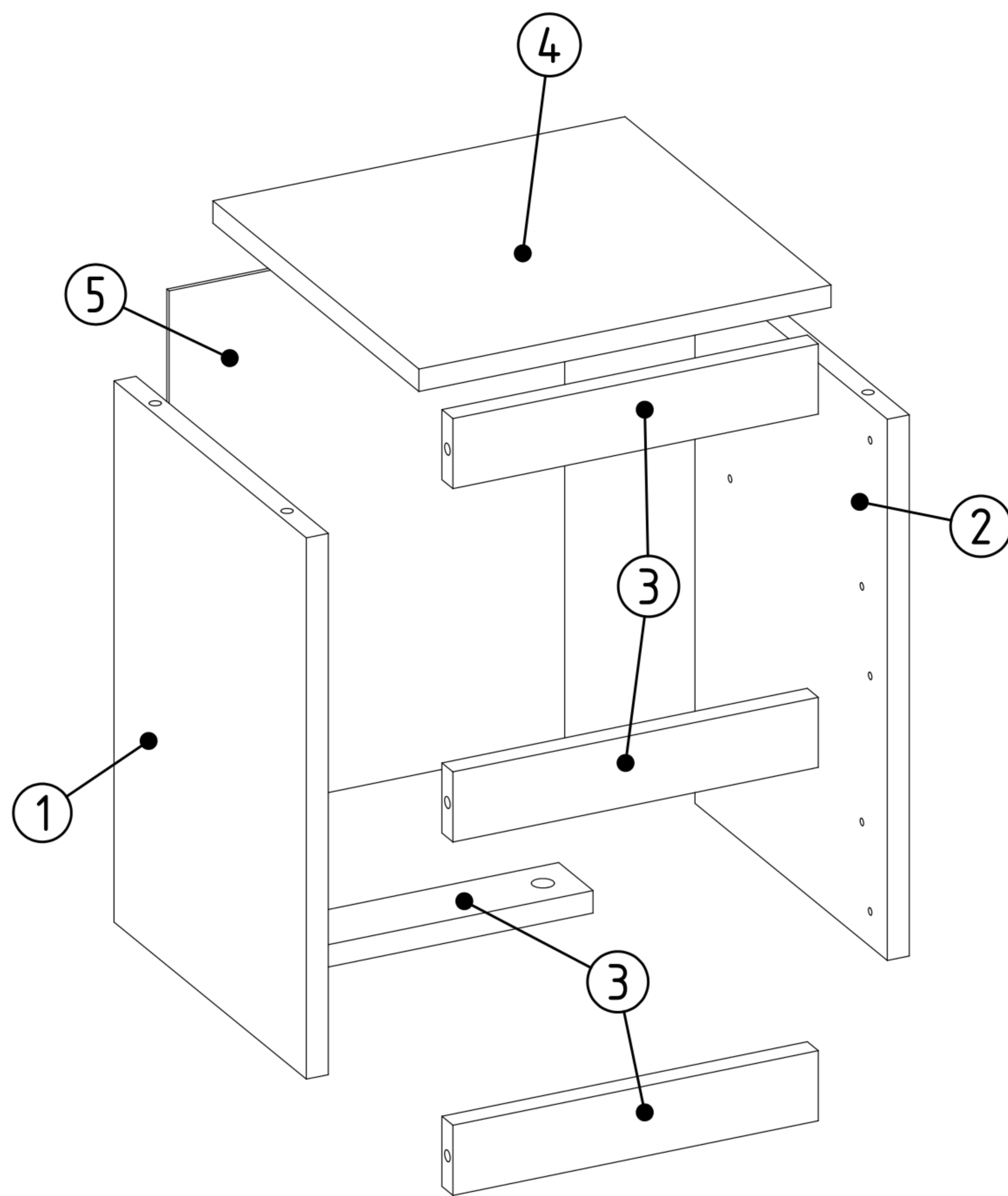


17/11/2020

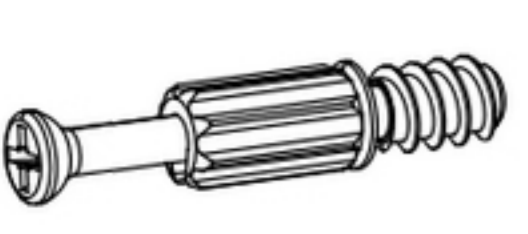
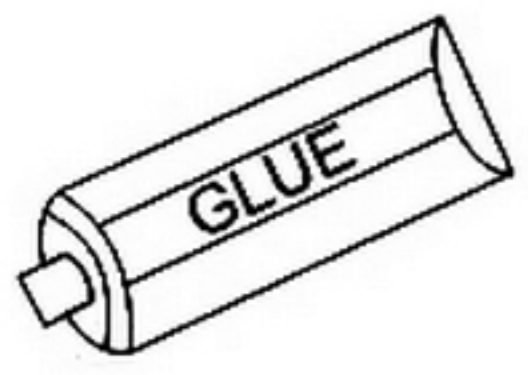

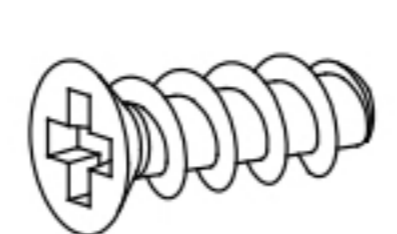
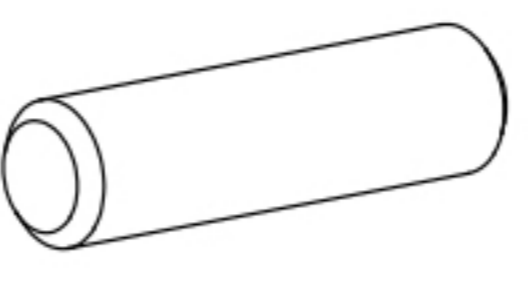

M2

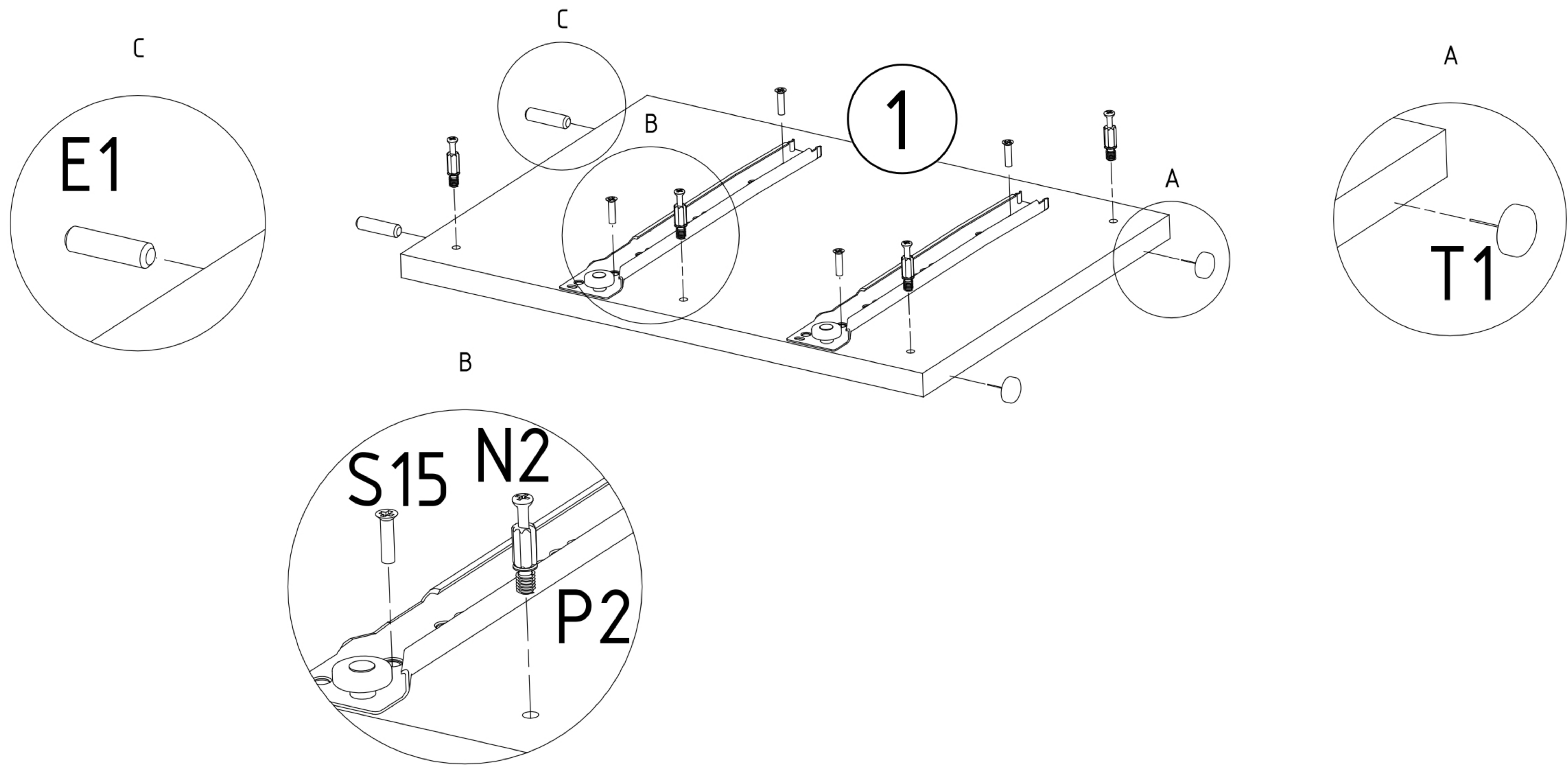
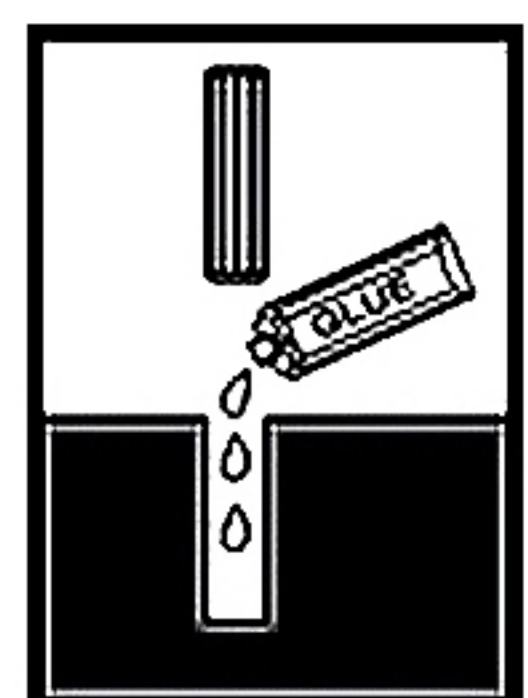


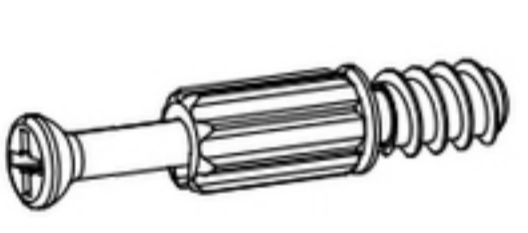
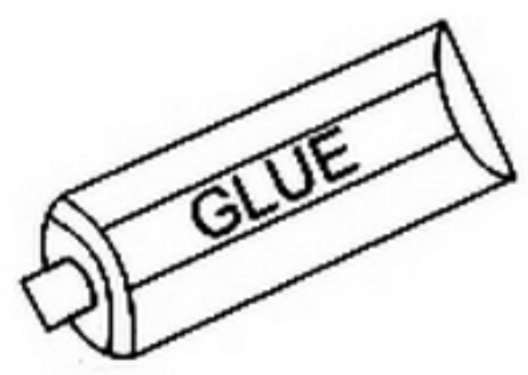

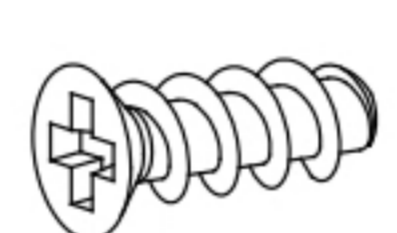
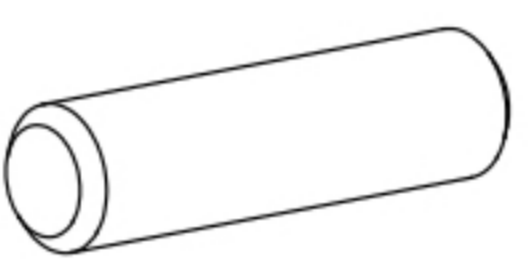

N2  L=20,3 x12	M3  x12	S1  3,5x16 x8	E1  8x30 x4	K1  x1
T1  x4	Z2  x20	S15  6x8 x8	P2  L=250 x2	M2  x4
				F2  7x50 x4

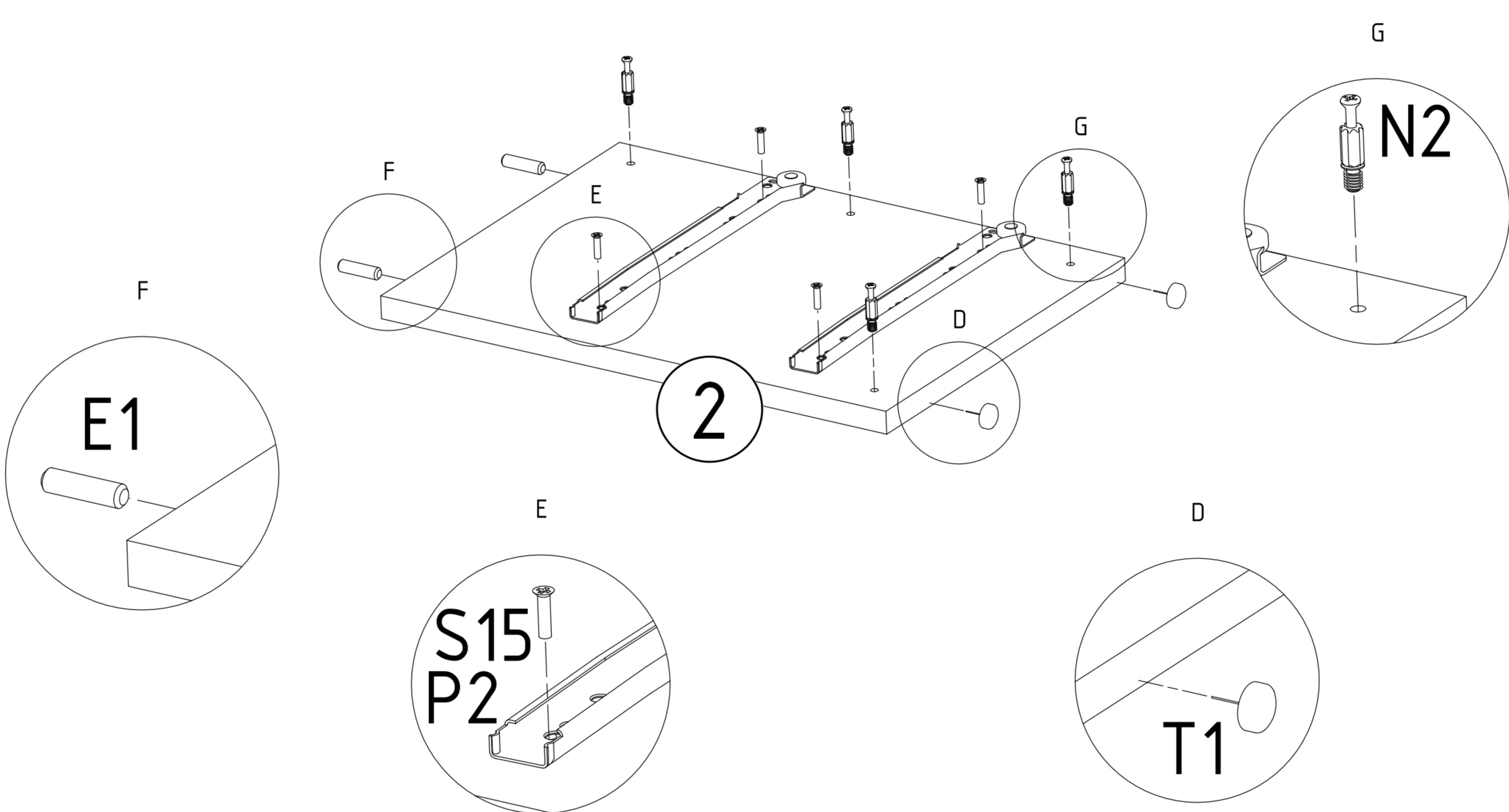
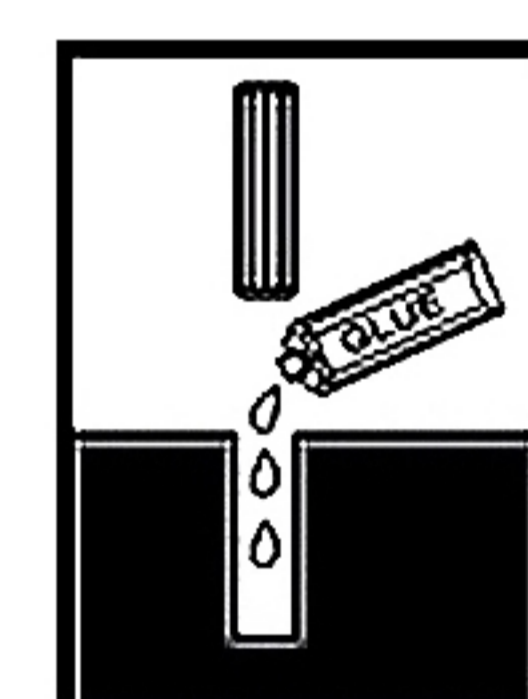


1	x	1
2	x	1
3	x	4
4	x	1
5	x	1
6	x	4
7	x	2
8	x	2
9	x	2

N2  L=20,3 x4	GLUE  x1	P2  x2	S15  6x8 x4	E1  8x30 x2	T1  x2
--	--	--	---	--	--



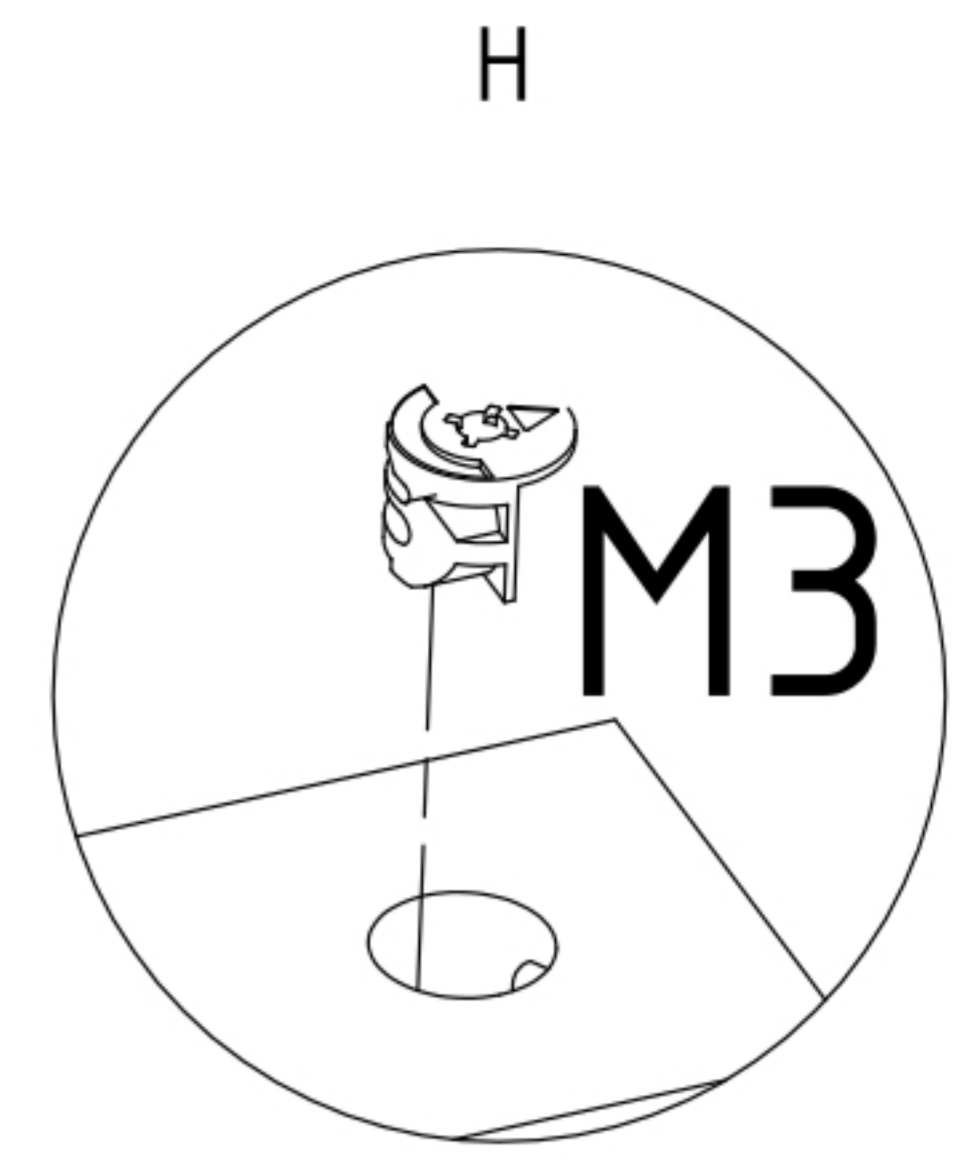
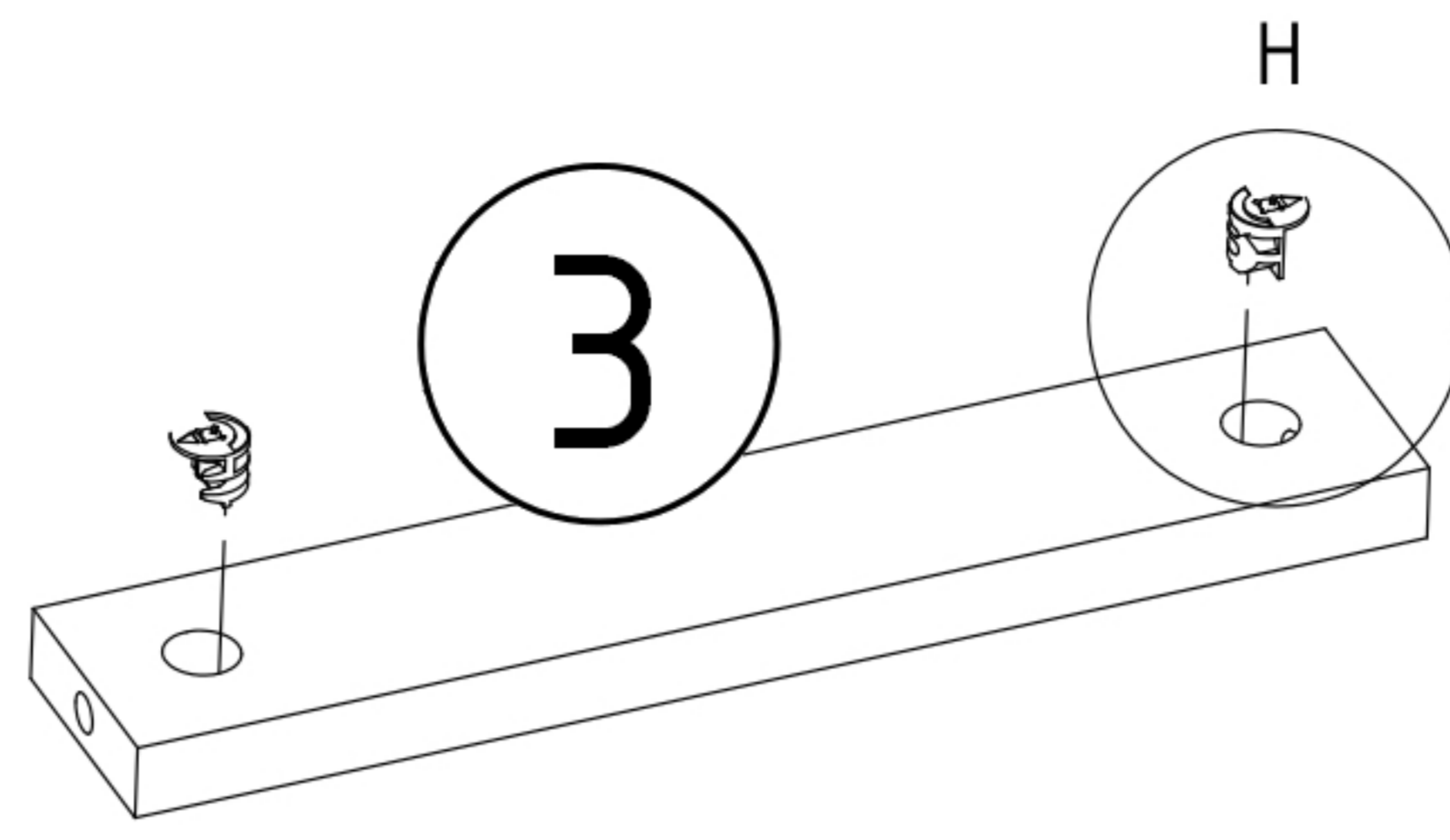
N2  L=20,3 x4	GLUE  x1	P2  x2	S15  6x8 x4	E1  8x30 x2	T1  x2
--	--	--	---	--	--



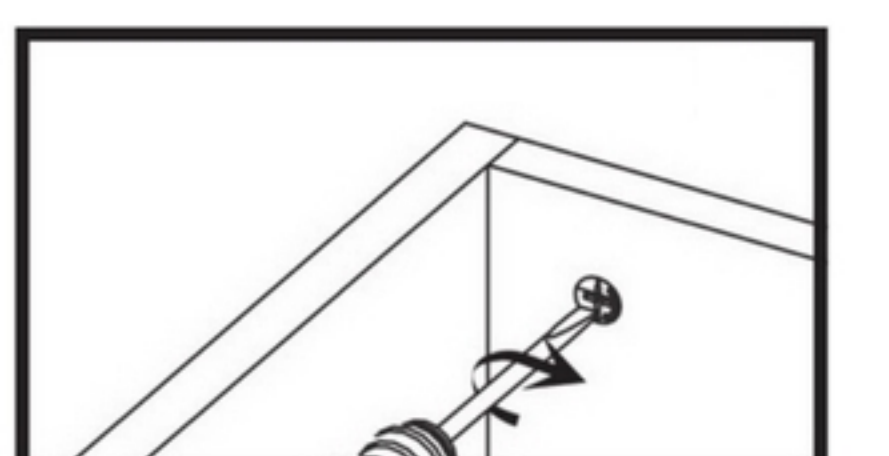
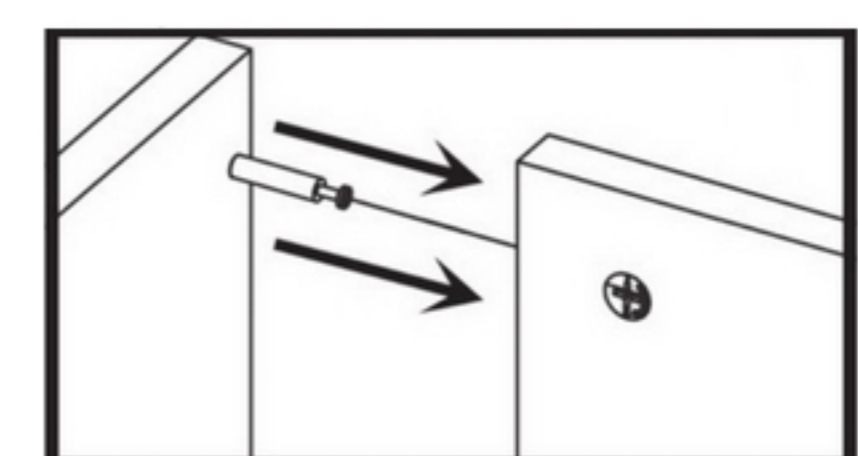
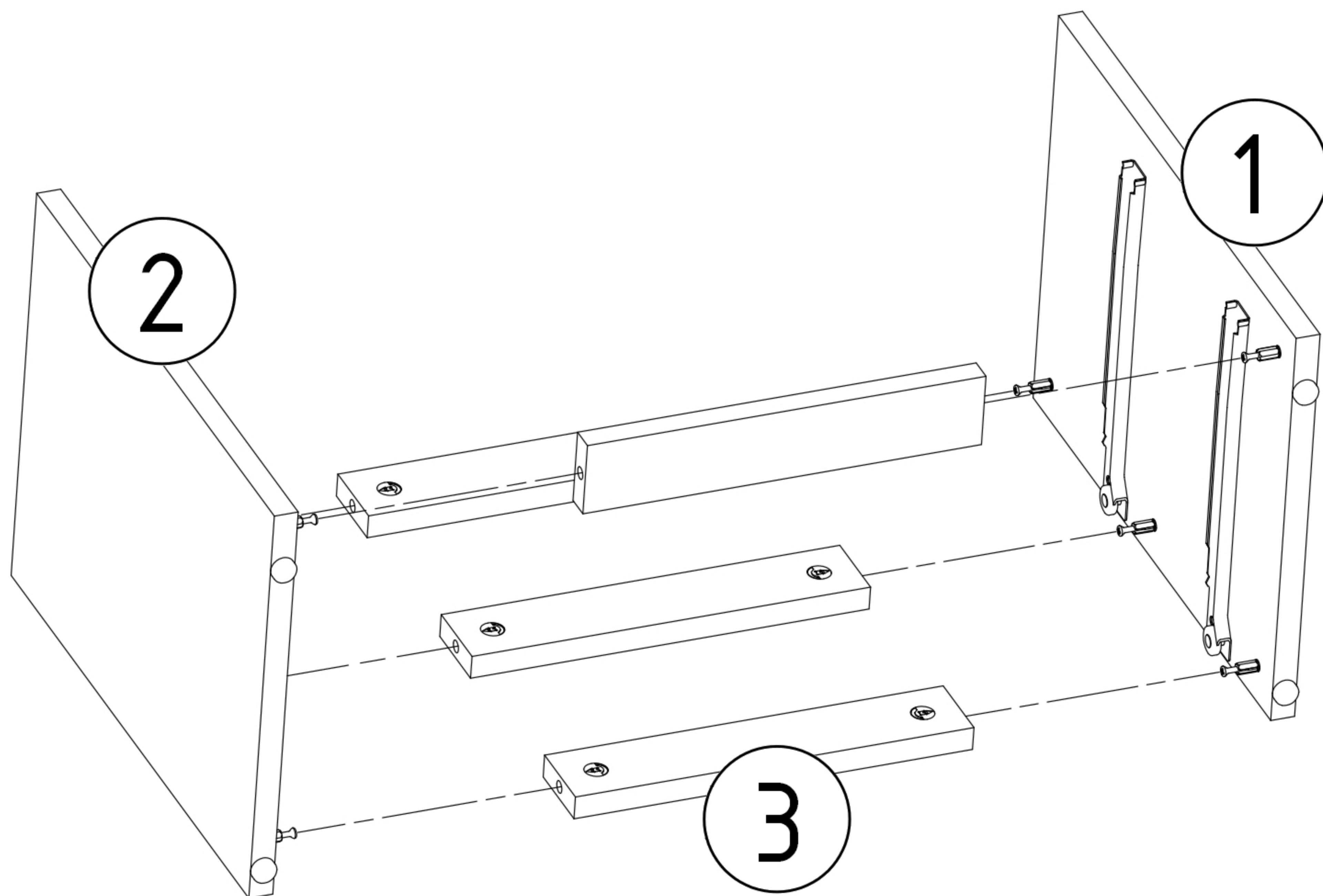
M3

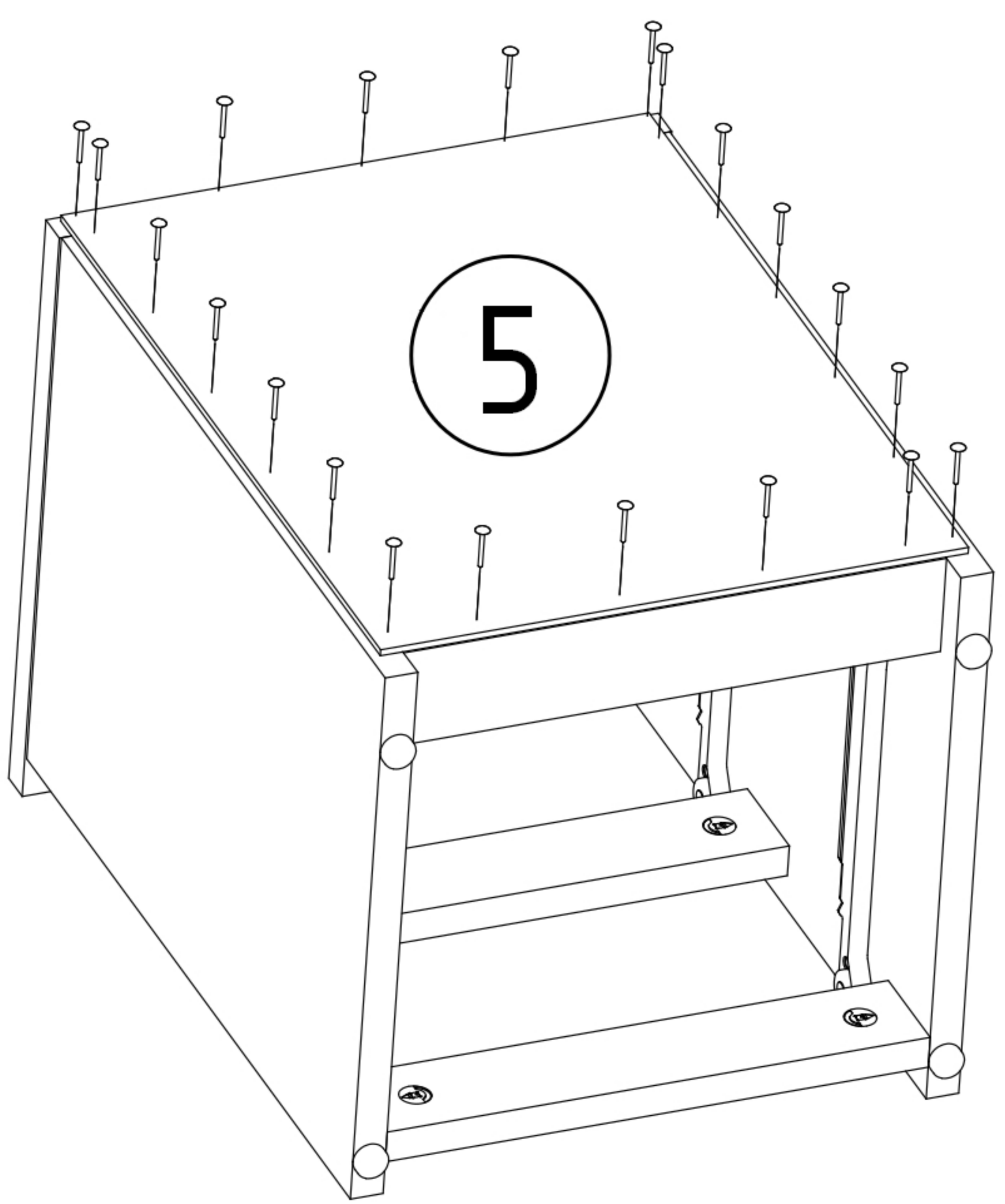
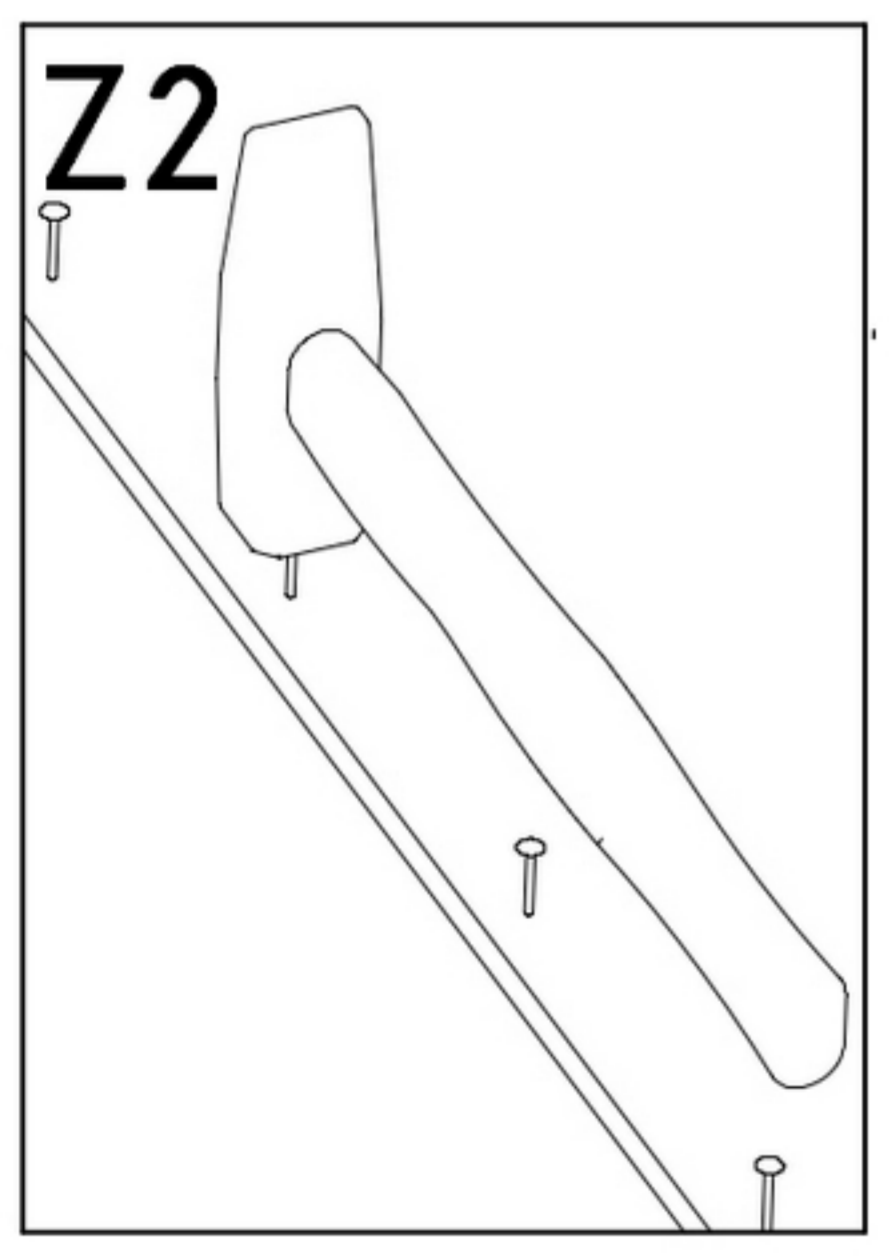
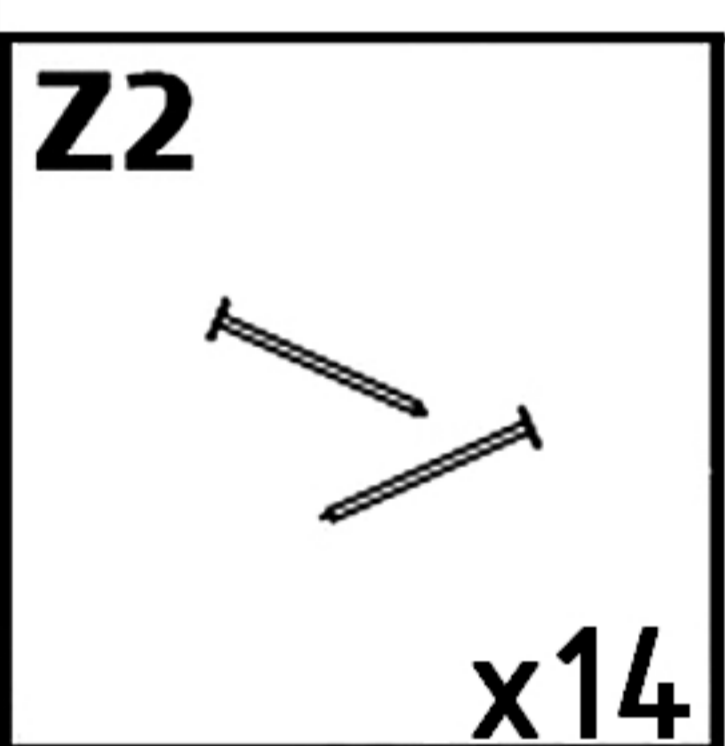
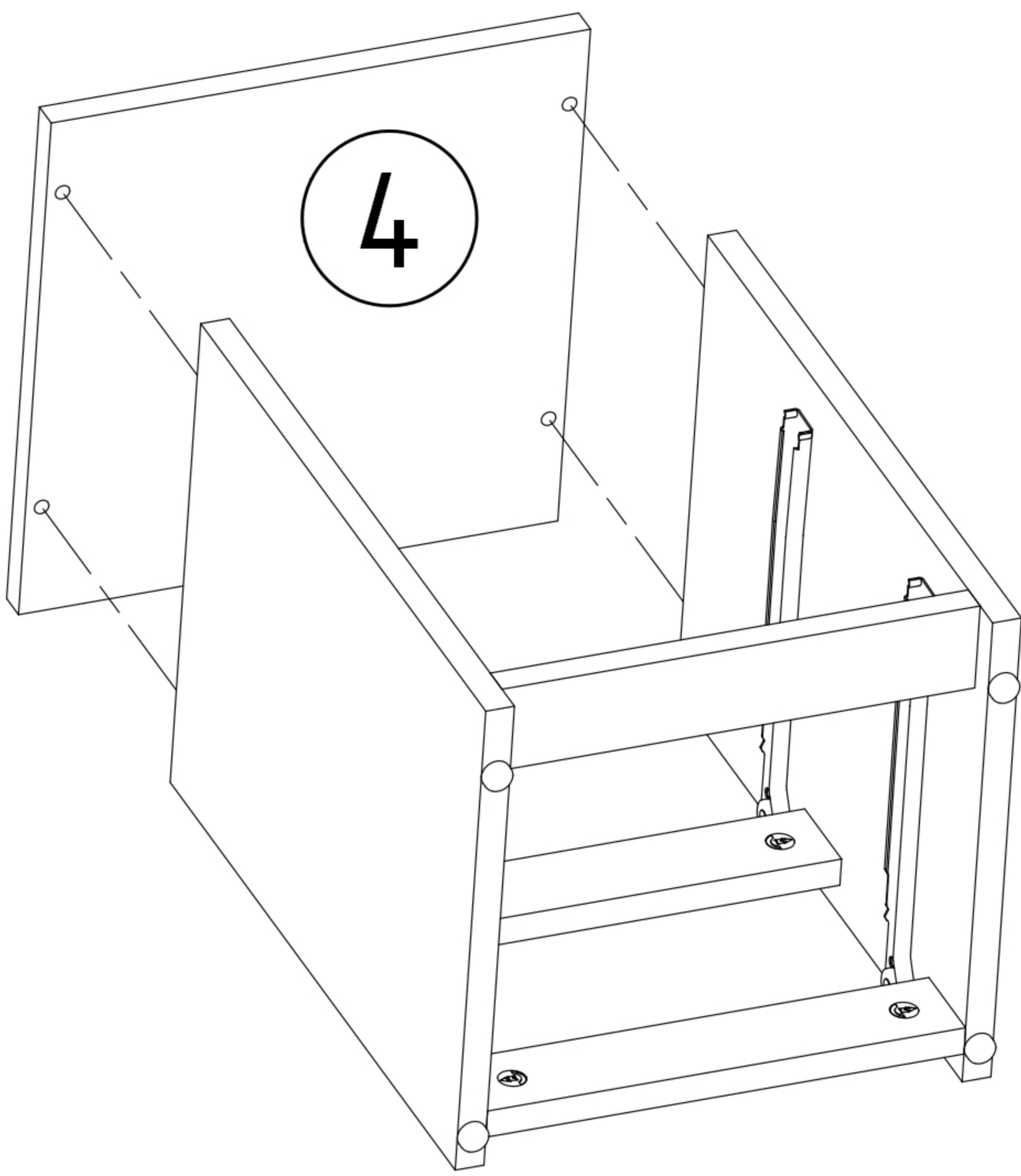
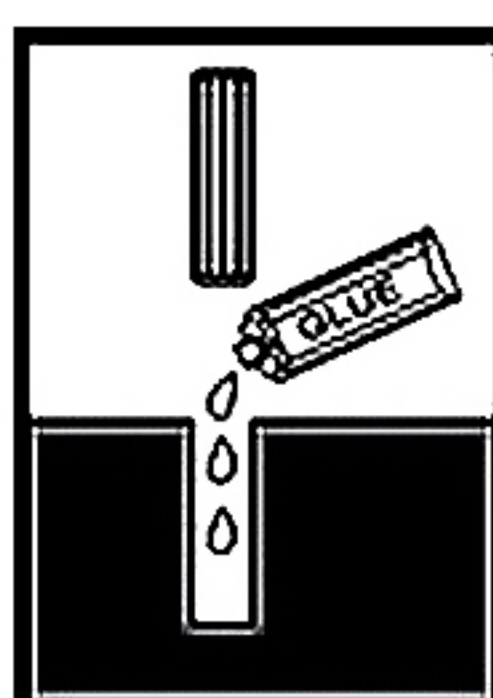
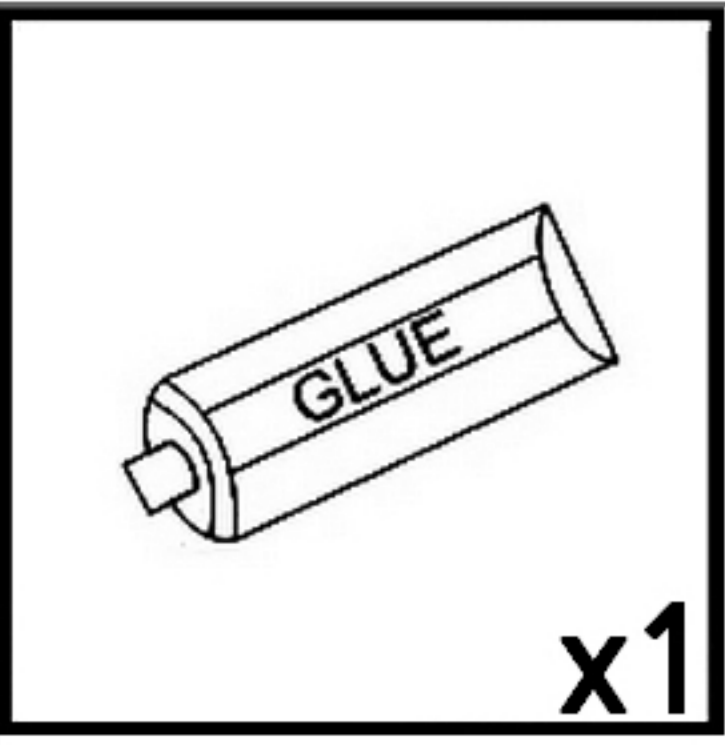


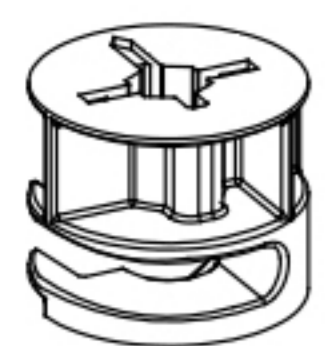
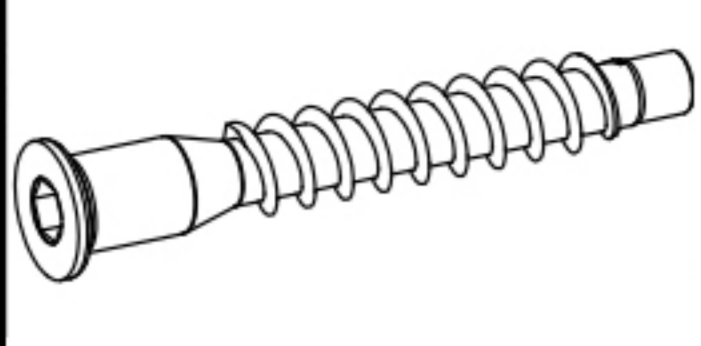
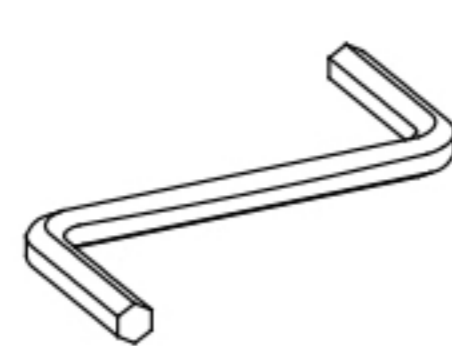
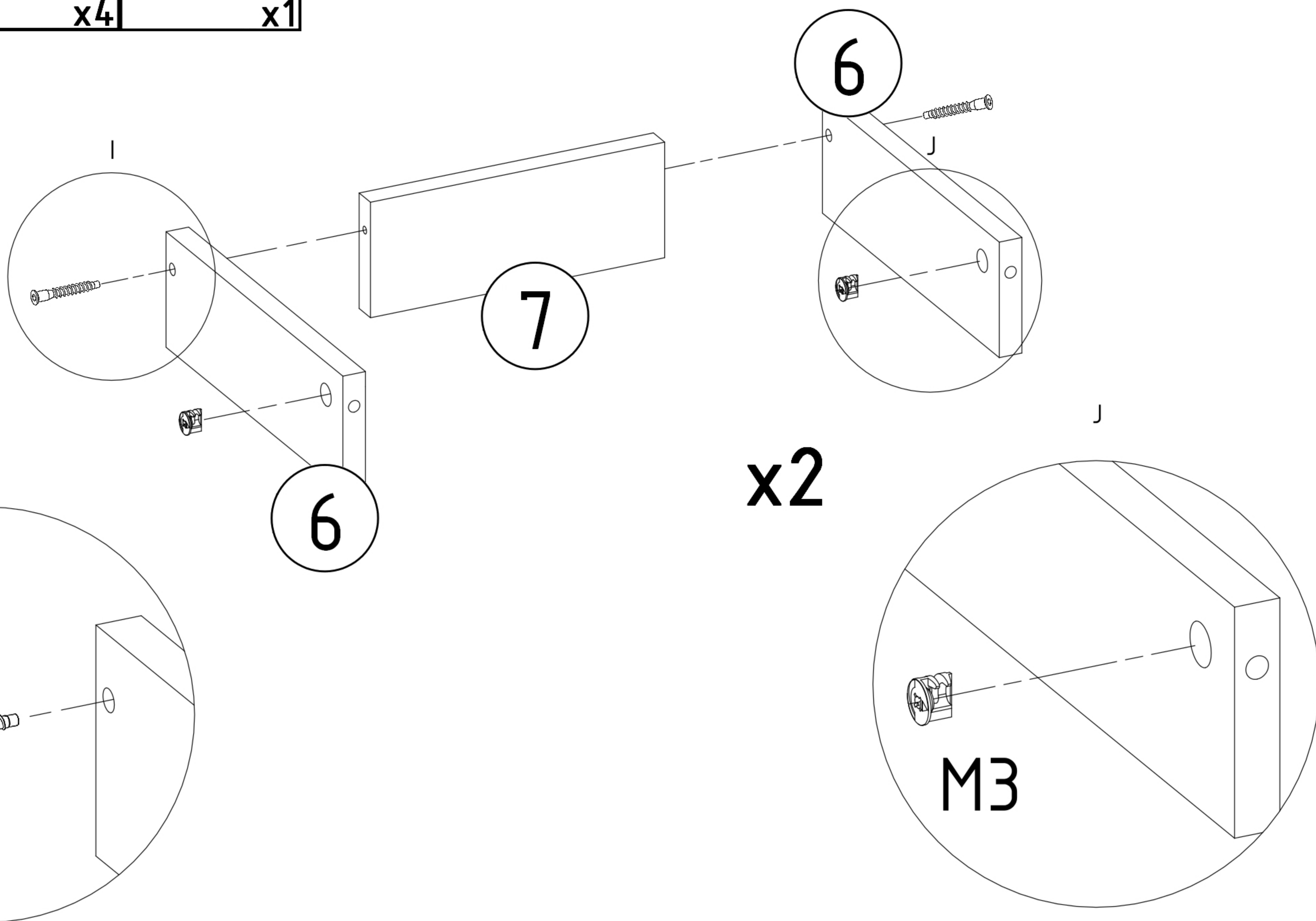
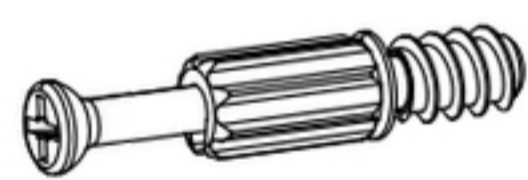
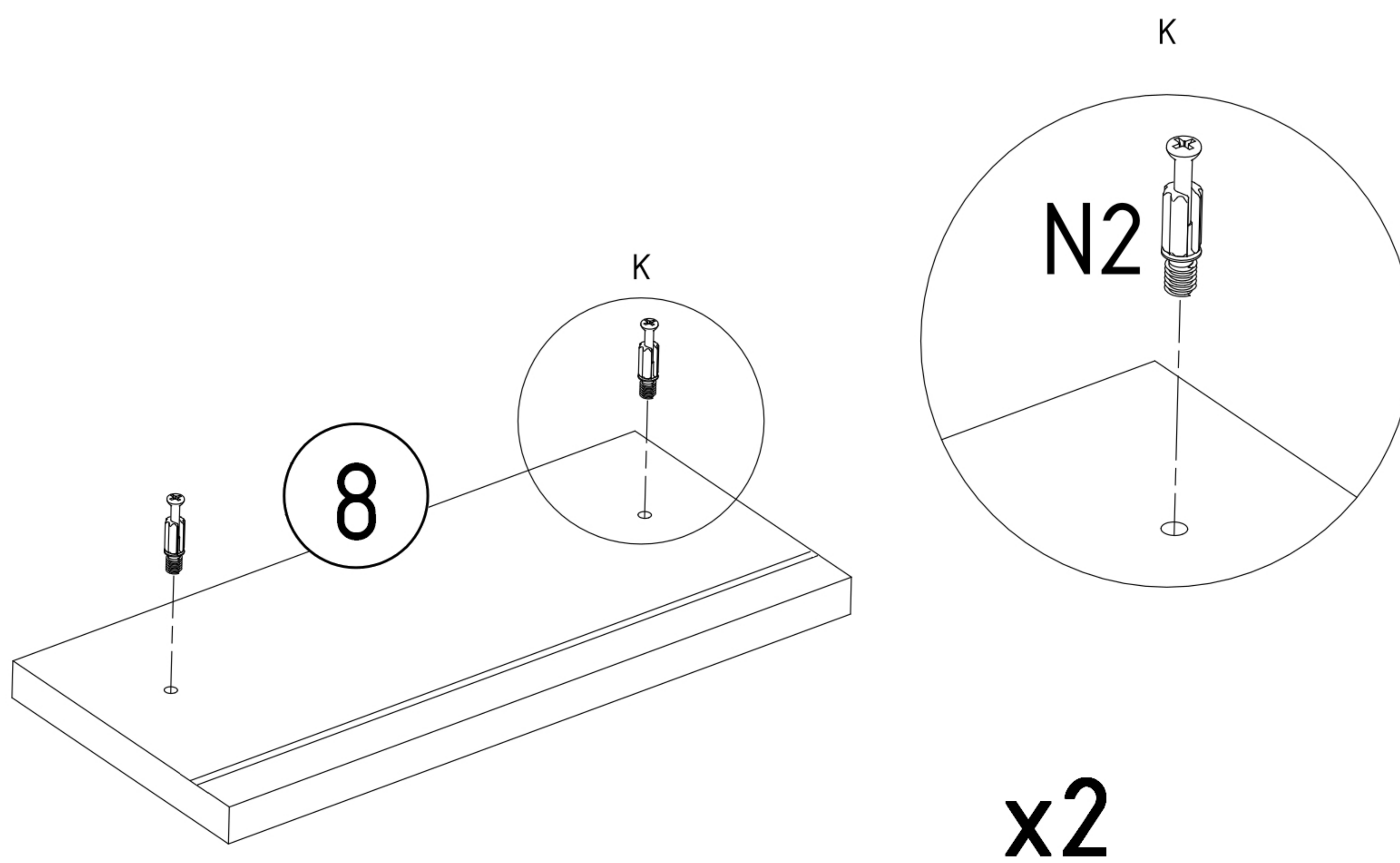
x8



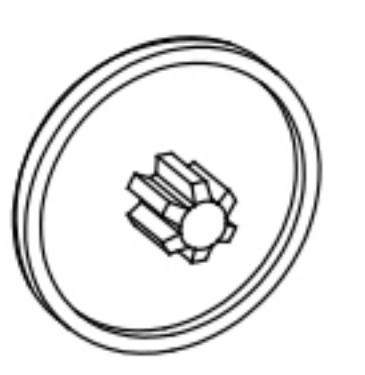
x4



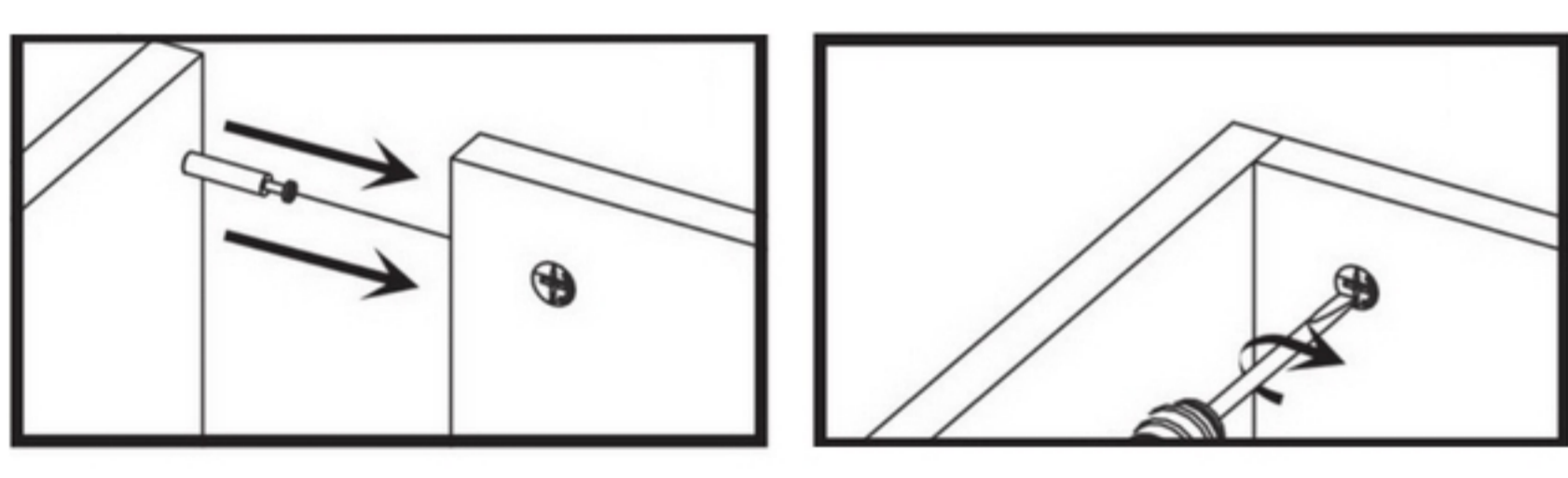
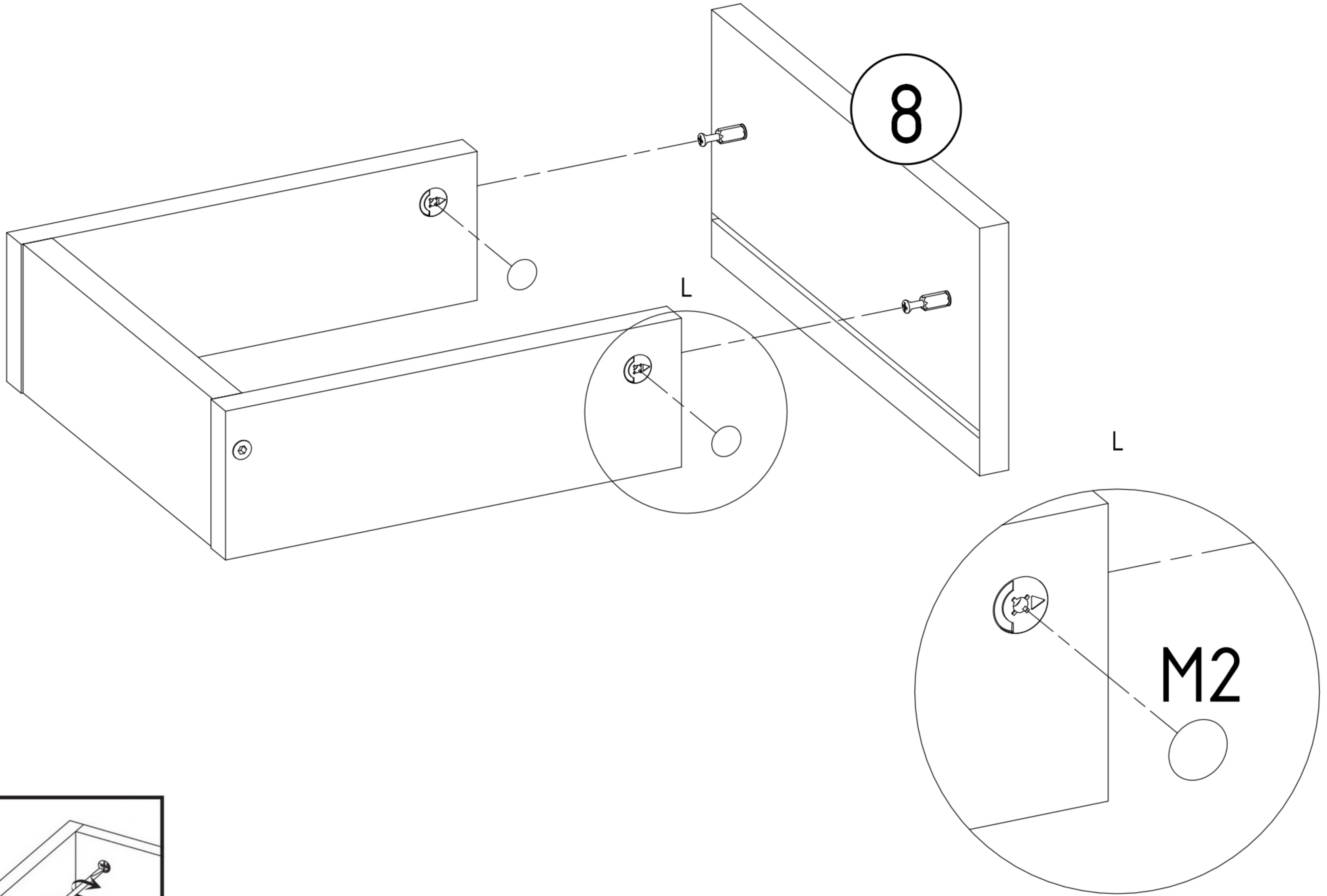


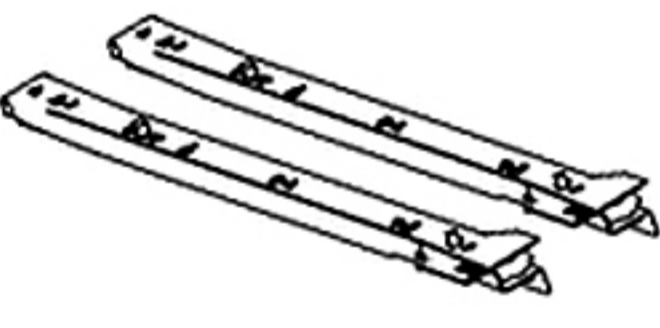
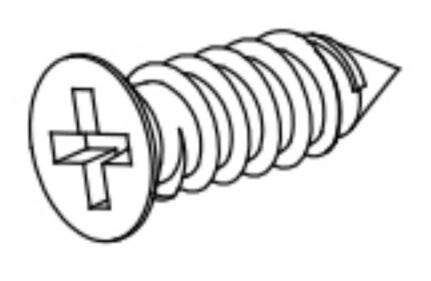

M3**x4****F2****x4****K1****x1****N2****L=20,3****x4**

M2



x4



<p>P2</p>  <p>x2</p>	<p>S1</p>  <p>3,5x16</p>	<p>Z2</p>  <p>x8</p>
--	---	---

