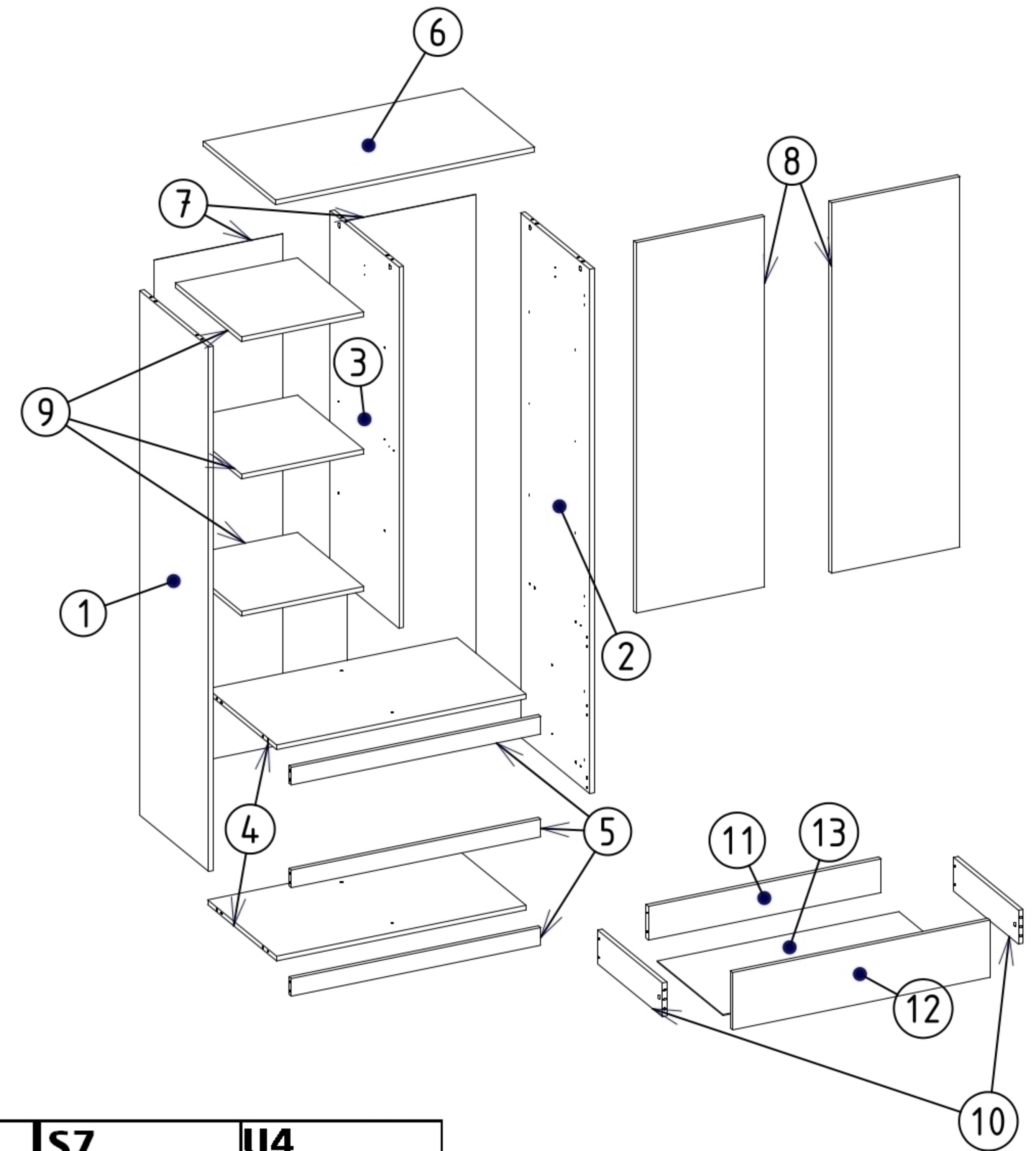
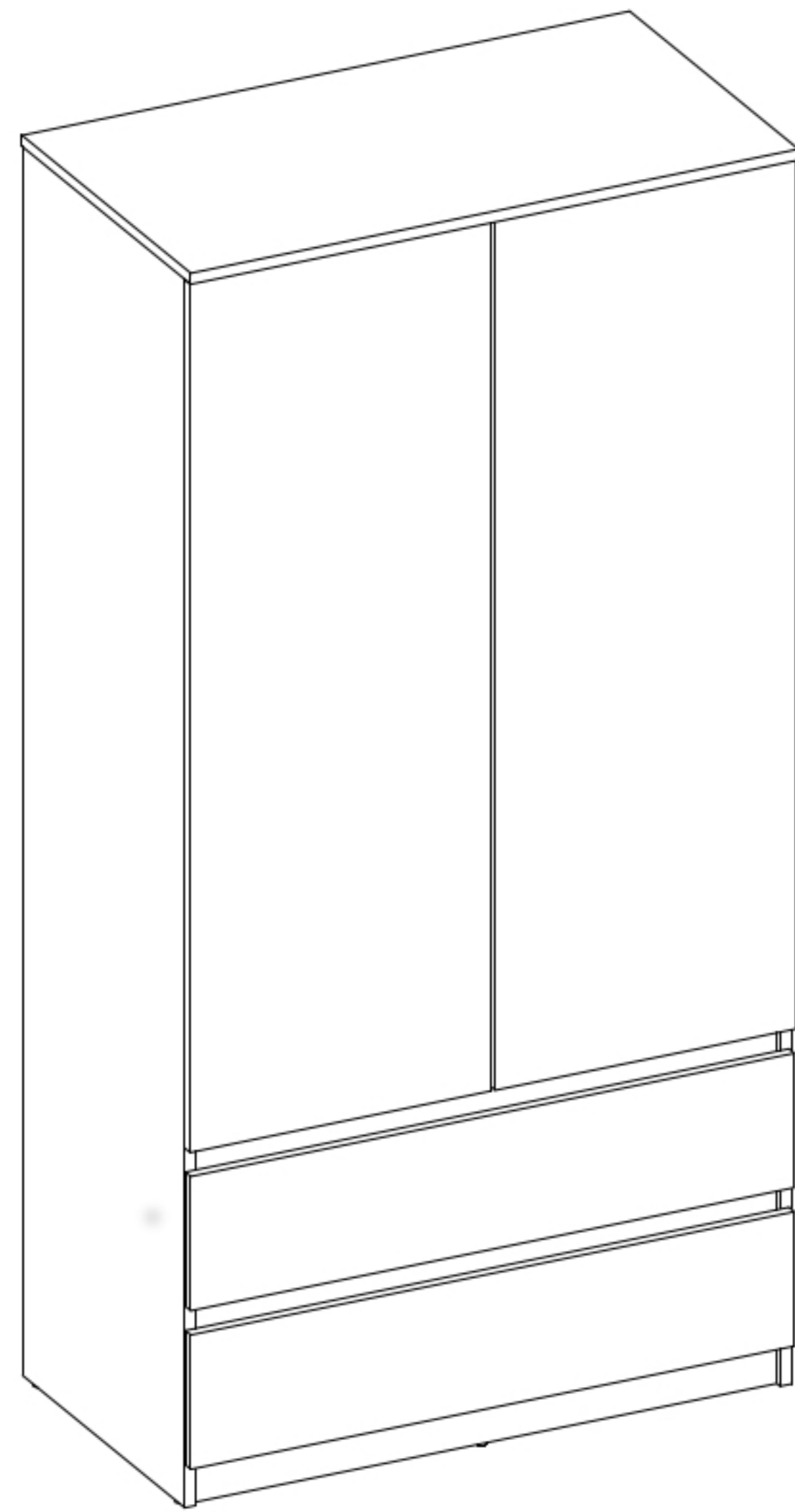

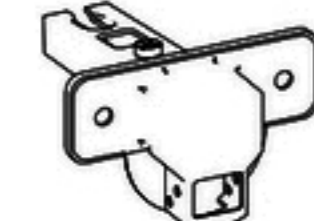

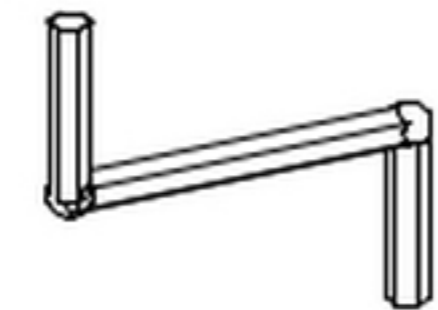



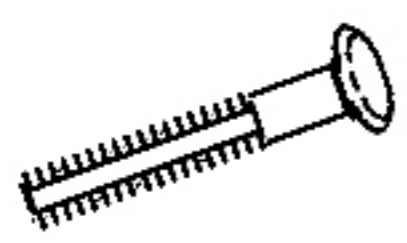




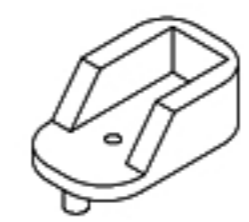


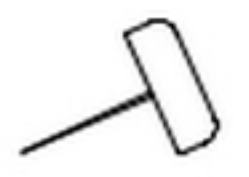




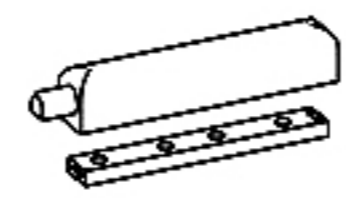

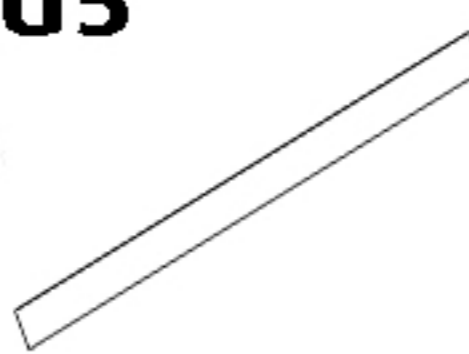

11.06.2021

SS-90




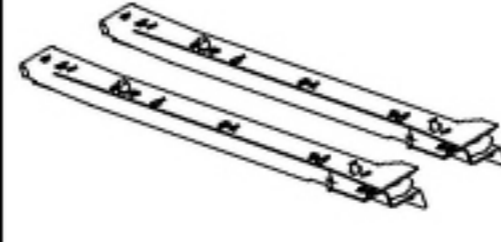





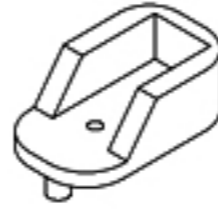
A0  x 4	A1  x 4	F2  7x50 mm x 2	K1  x 1	 x 1
--	--	--	---	---

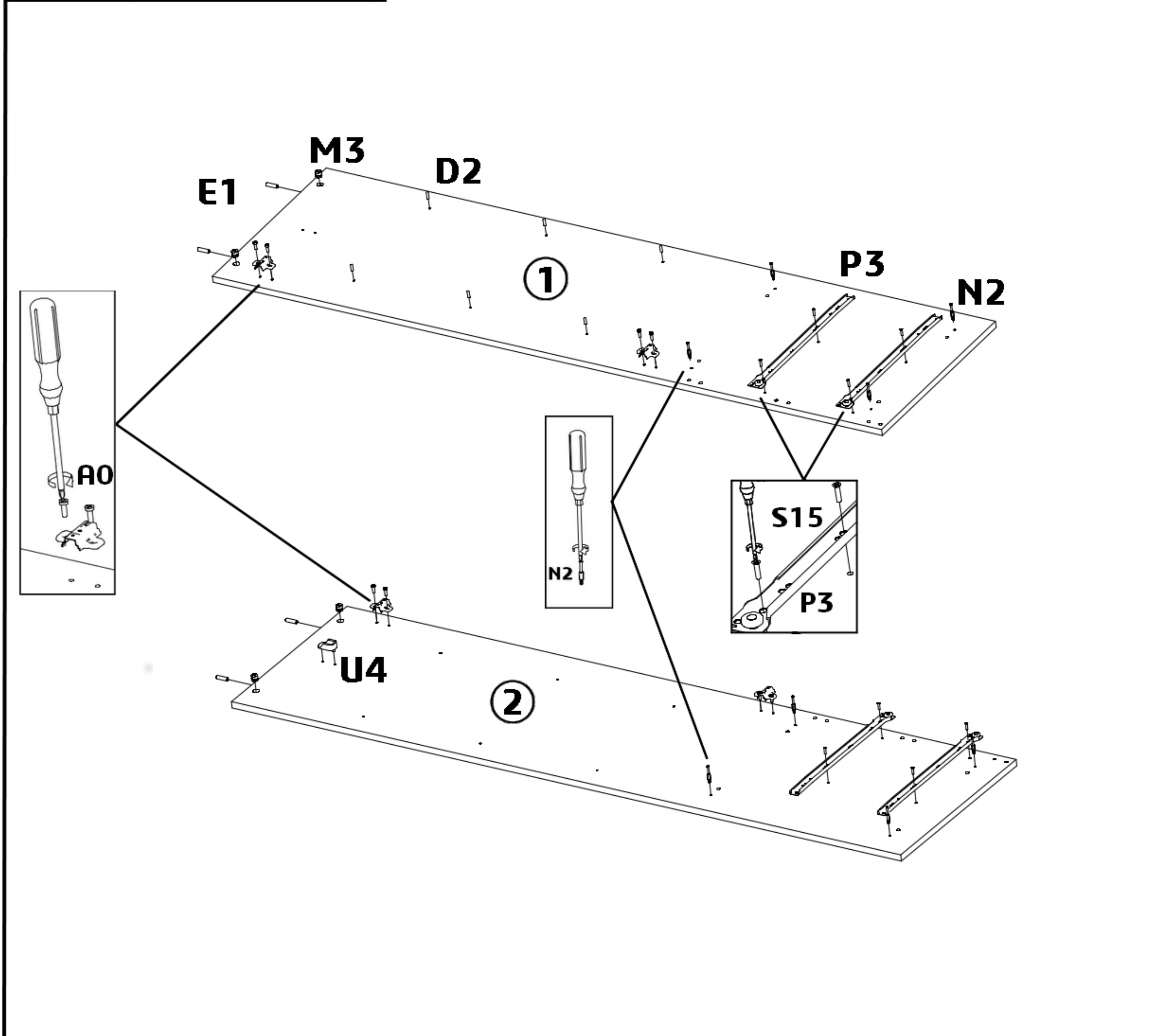
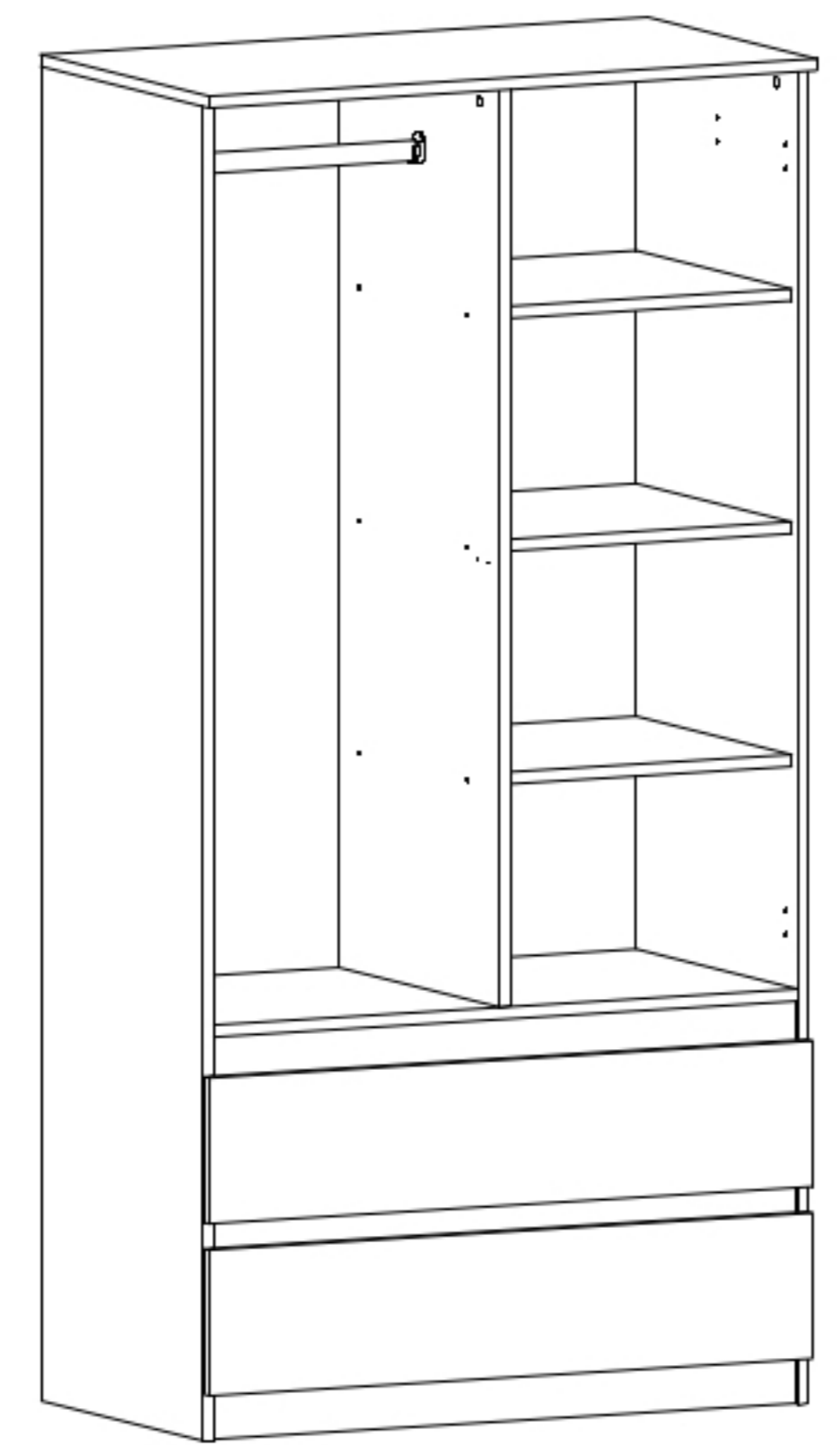
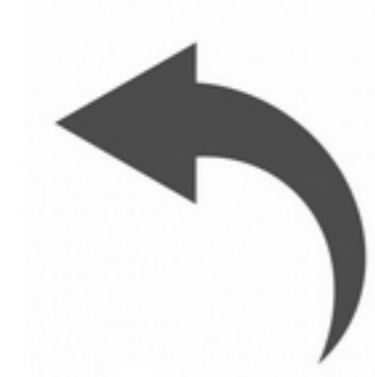
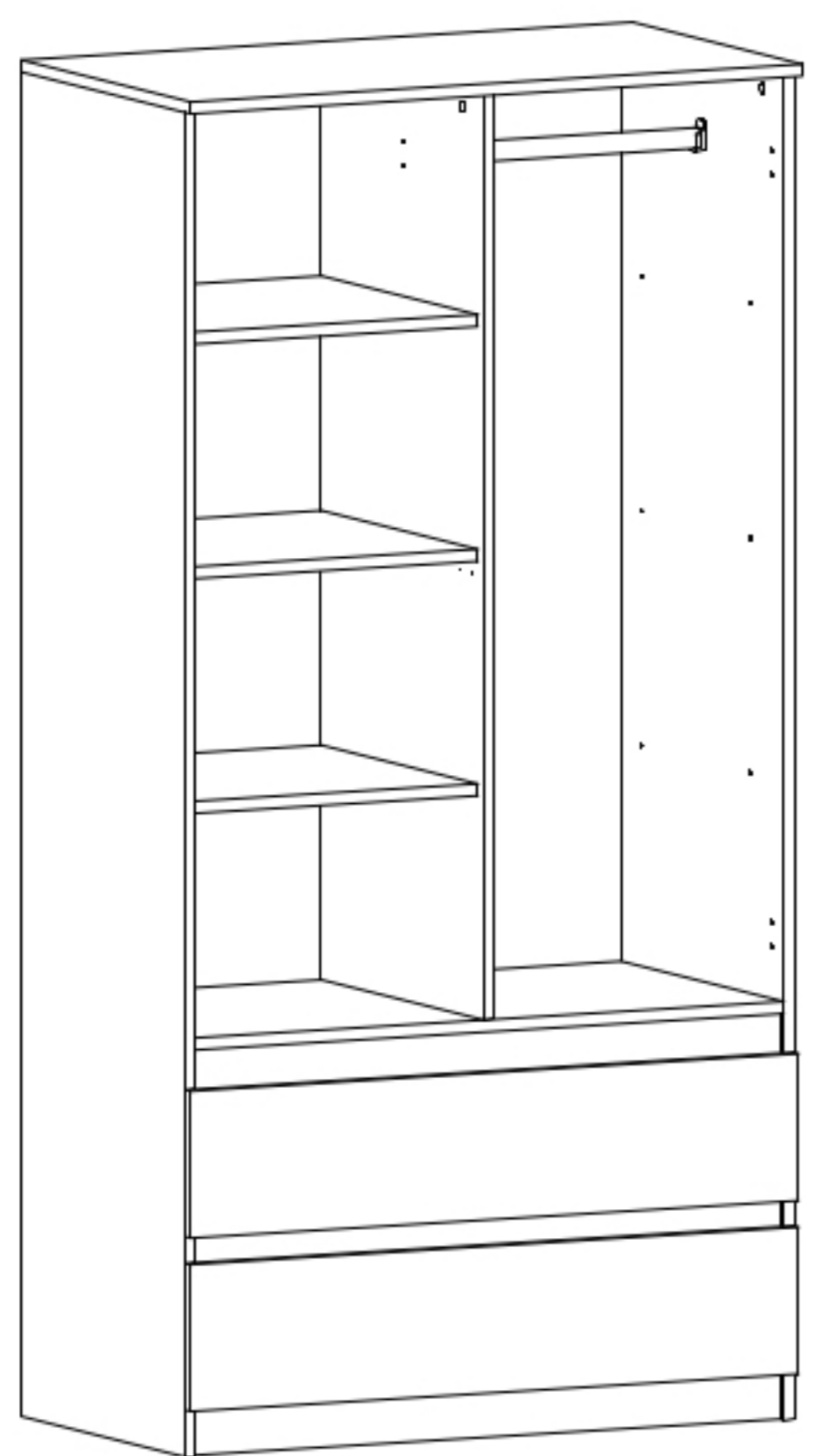
N2  L=35 mm x 18	M3  12x15 mm x 18	E4  L=43 mm x 8	S1  3,5x16 mm x 18	E1  8x30 mm x 34	D2  5x16 mm x 12	S7  2,5x20 mm x 5	U4  x 2
---	--	--	--	---	---	--	--

T1  x 5	Z2  x 100	P3  L=400 mm x 2	S15  6x9 mm x 12	M2  ø17 mm x 10	T3  x 2	 x 1	U5  x 1	Z4  x 5
--	--	---	--	--	--	---	--	--




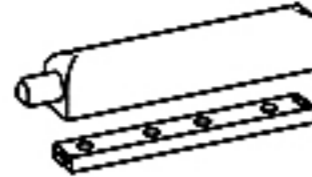

1	x 1	7	x 2
2	x 1	8	x 2
3	x 1	9	x 3
4	x 2	10	x 4
5	x 3	11	x 2
6	x 1	12	x 2
		13	x 2

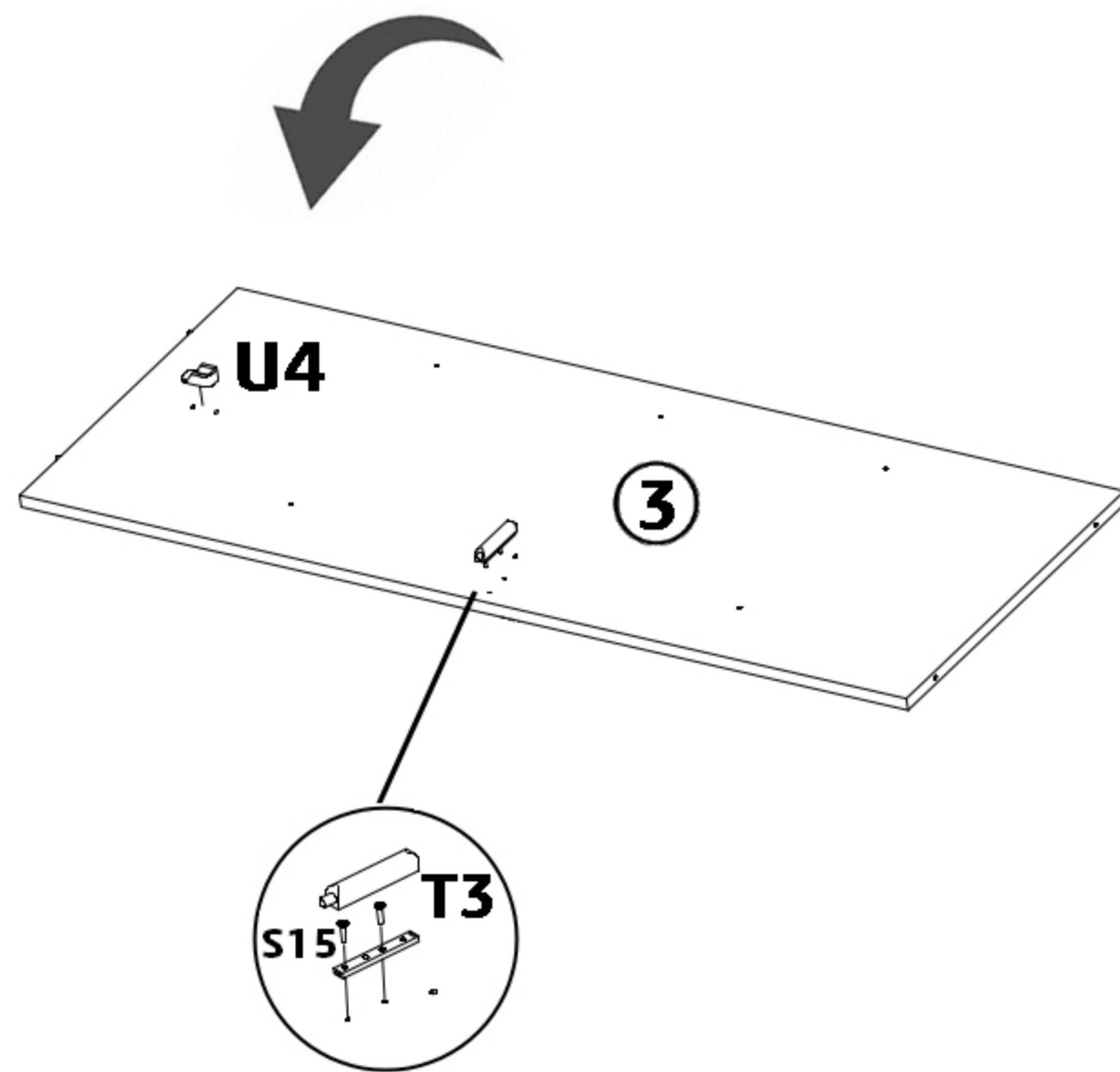
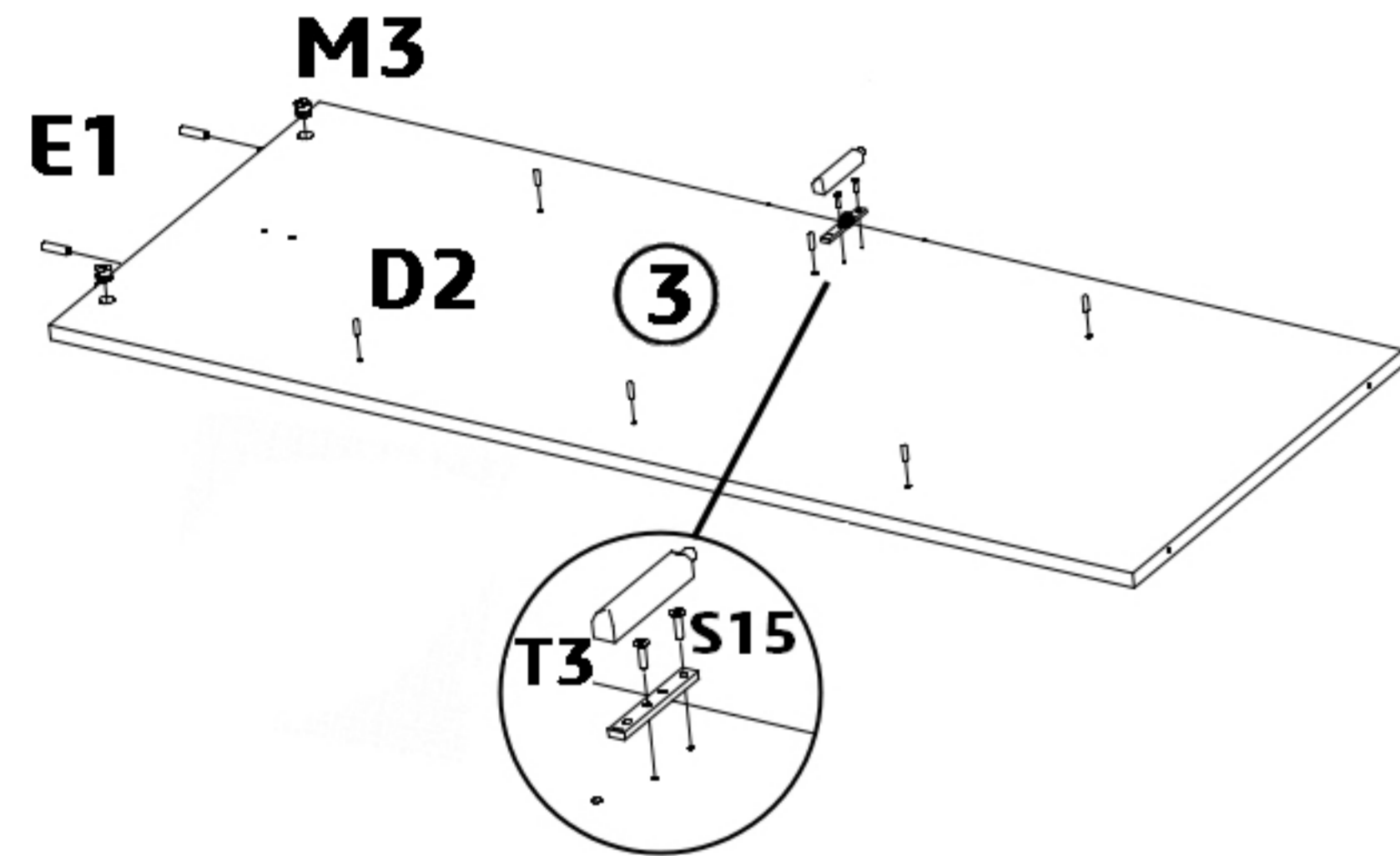
1

N2  x 8	P3  x 2	S15  x 8	E1  x 4	D2  x 6	M3  x 4
A0  x 4	U4  x 1				





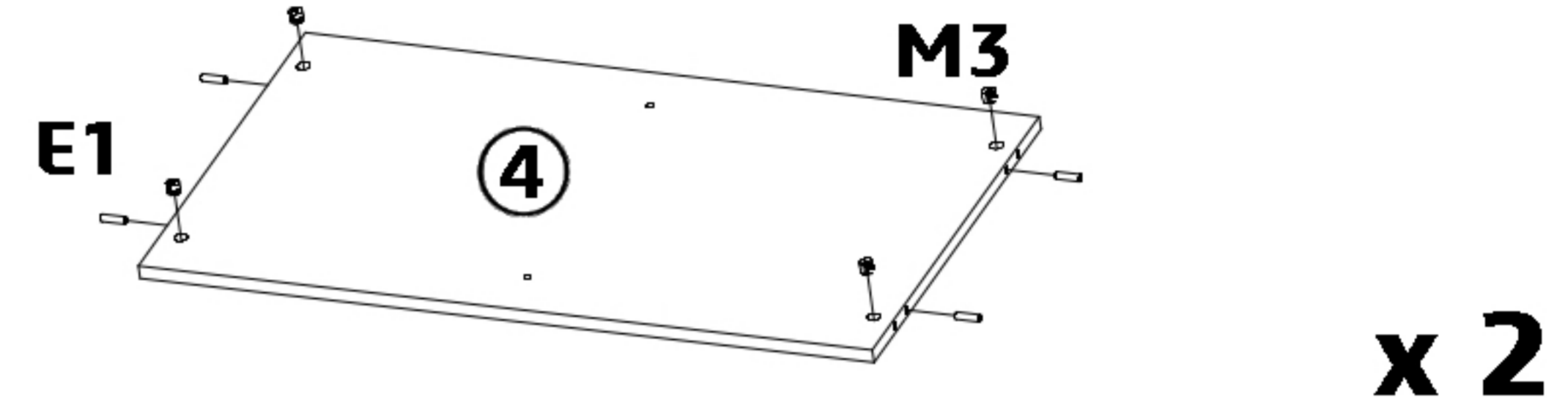
2


E1  x 2	D2  x 6	M3  x 2	T3  x 2	S15  x 4
--	--	--	---	---

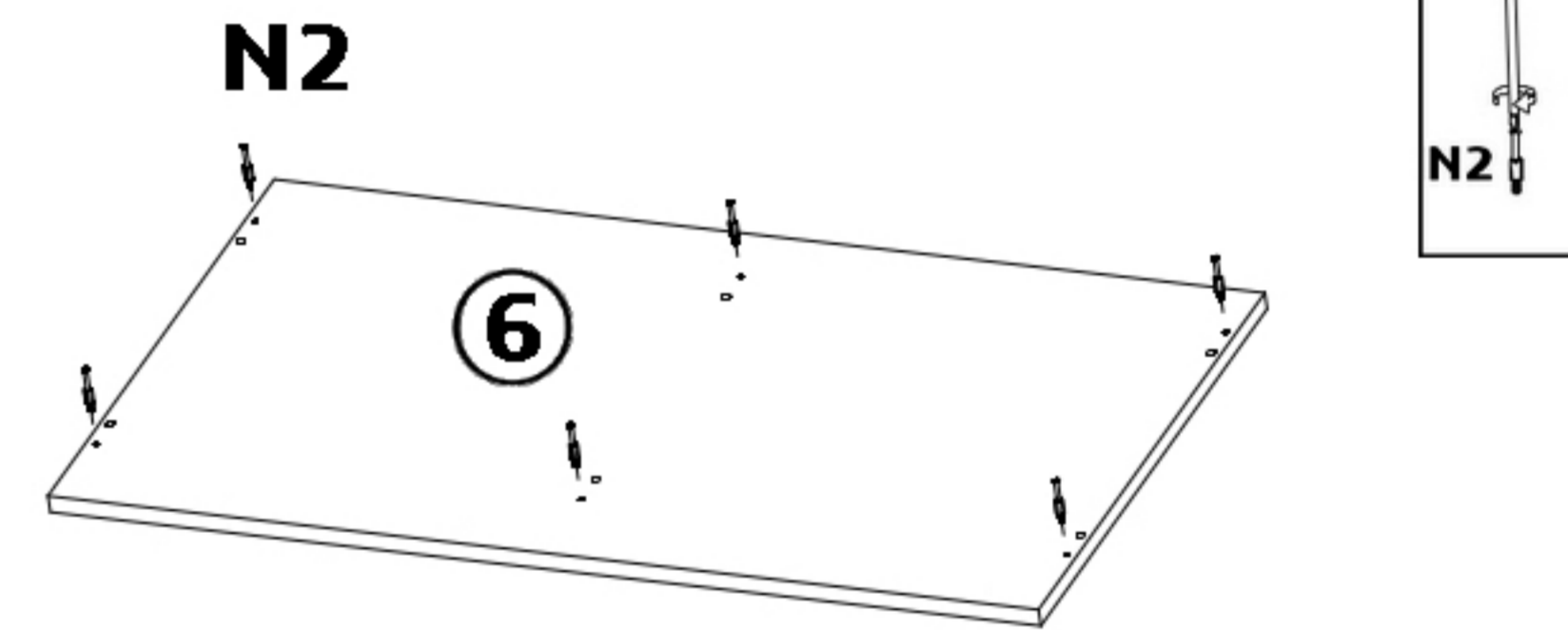


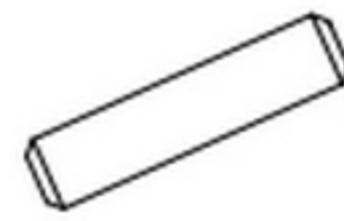

3

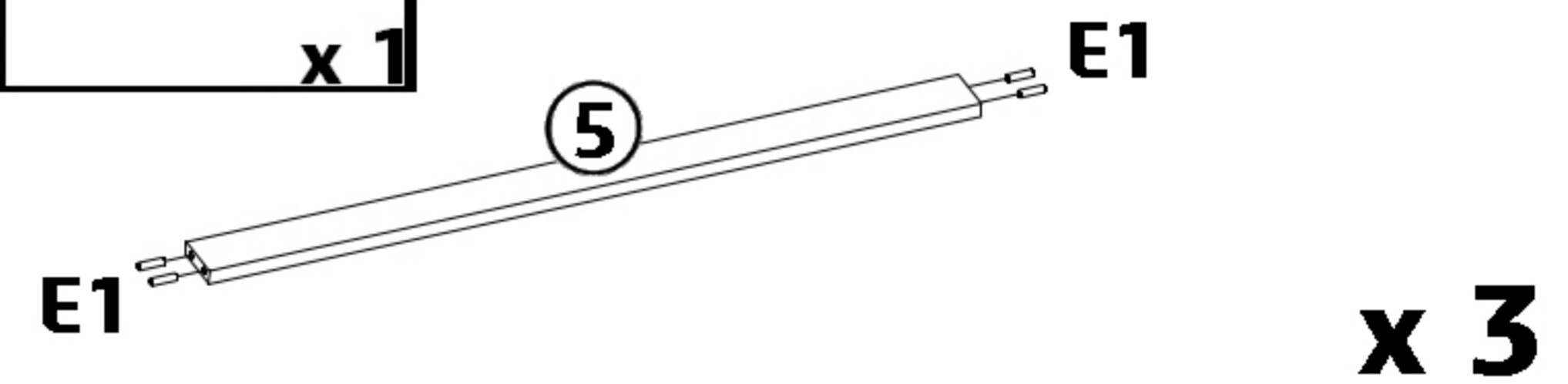
M3  x 8	E1  x 8
--	--



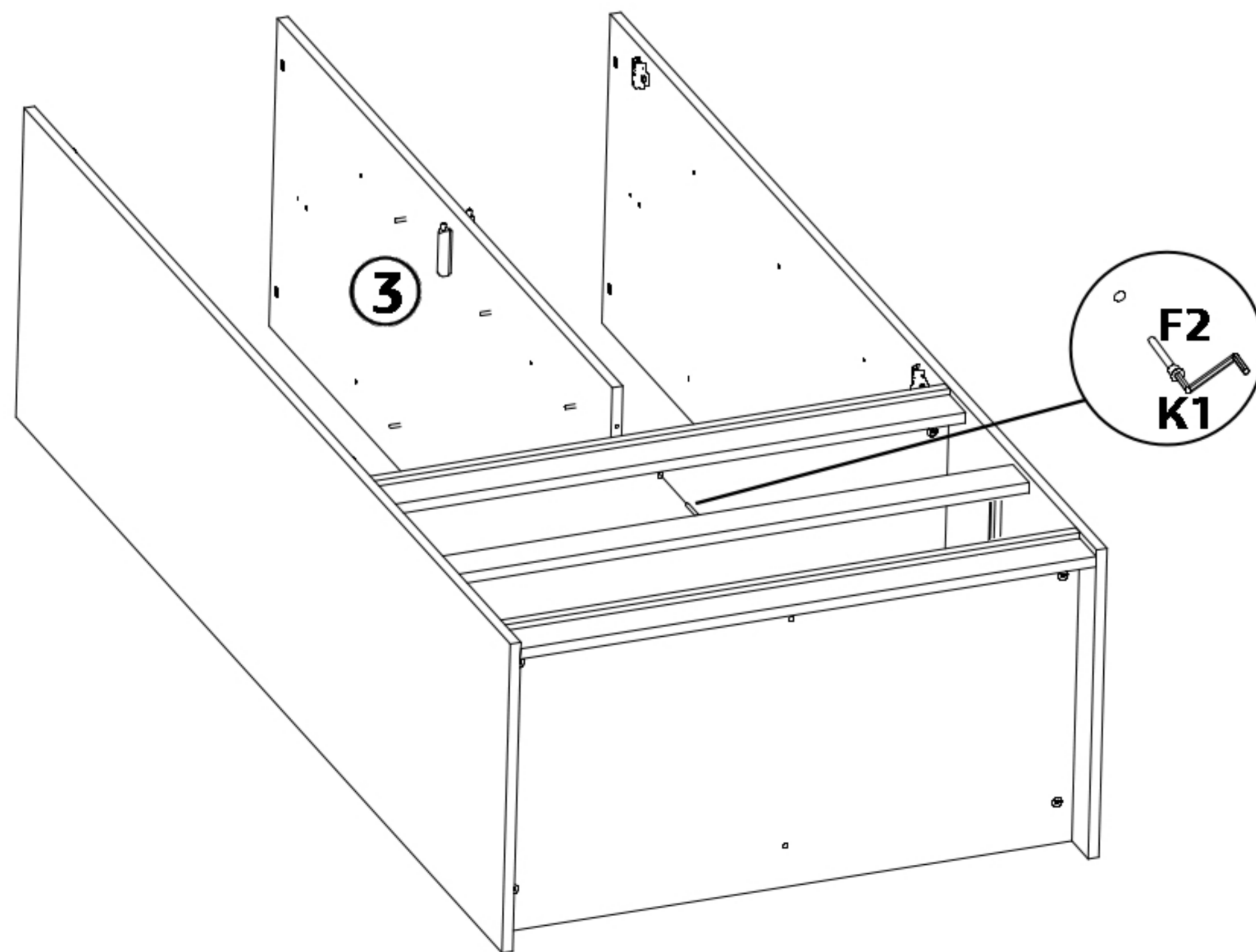
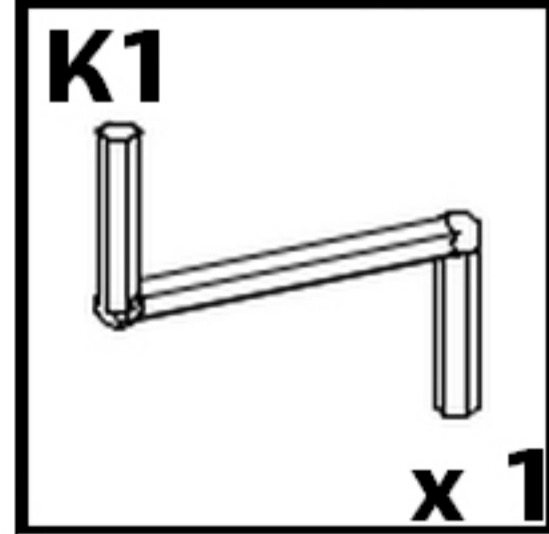
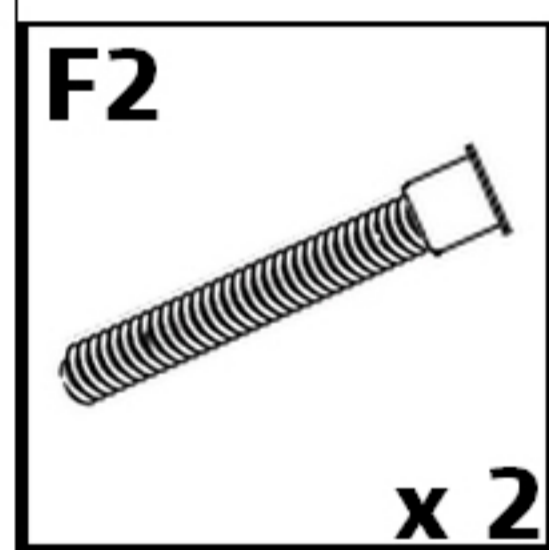
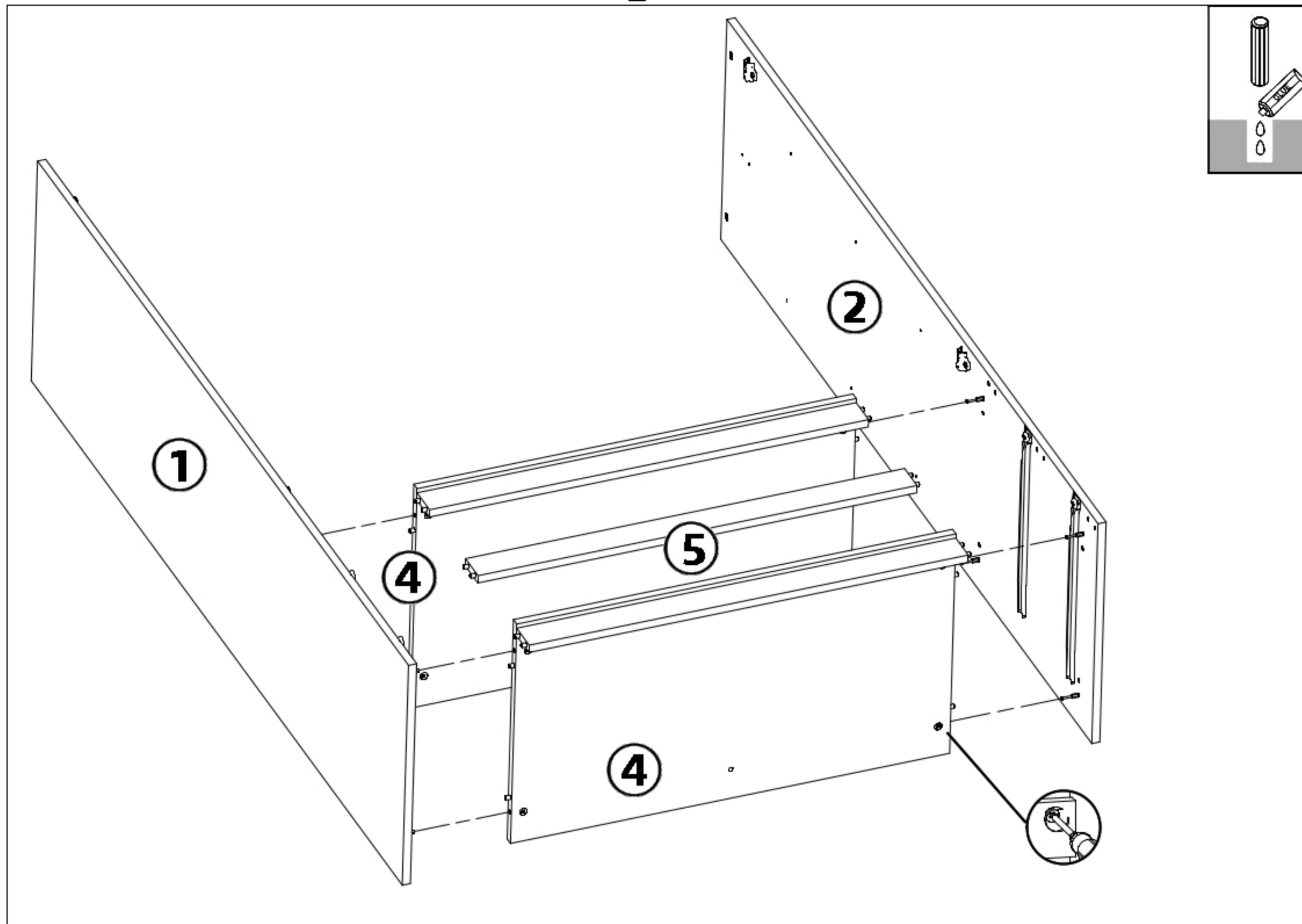
N2  x 6



E1  x 12	GLUE  x 1
---	--

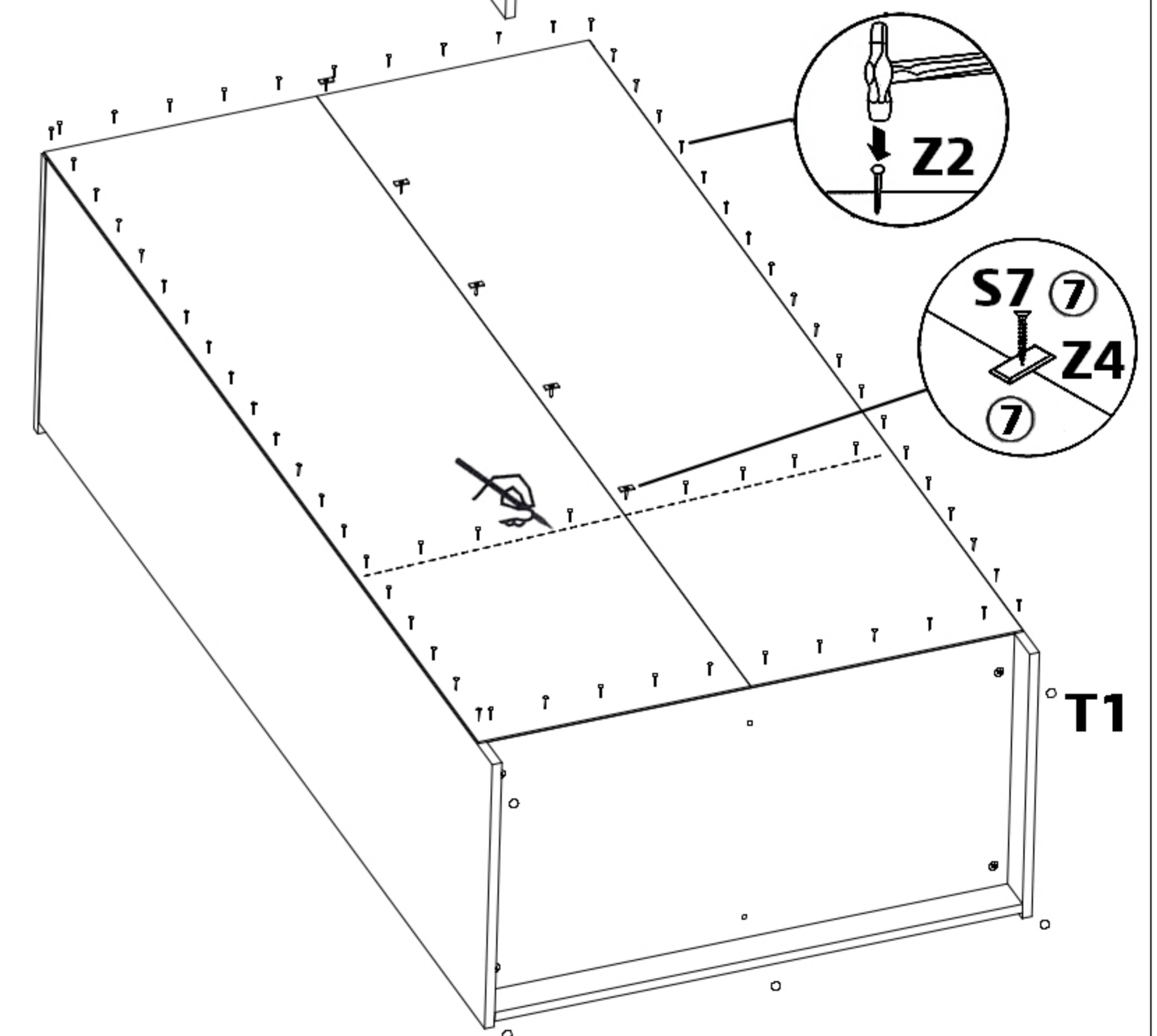
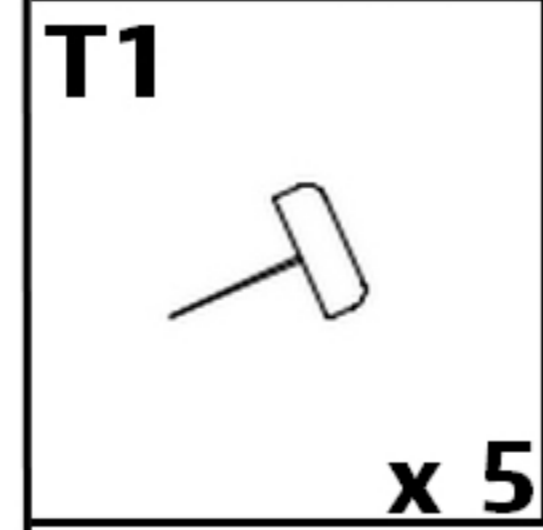
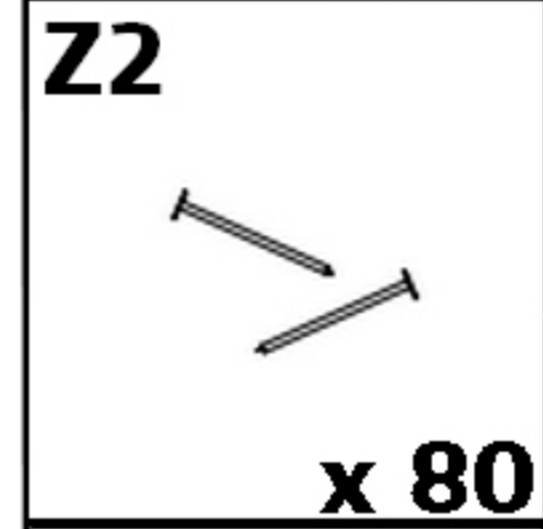
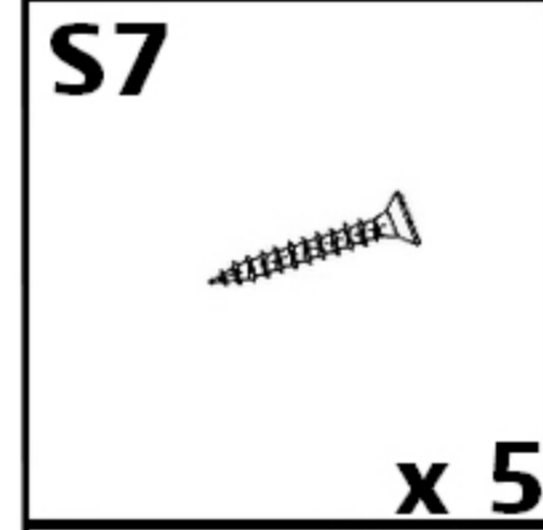
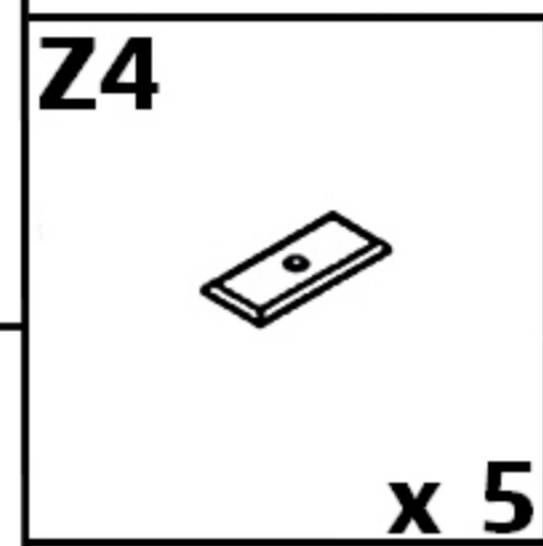
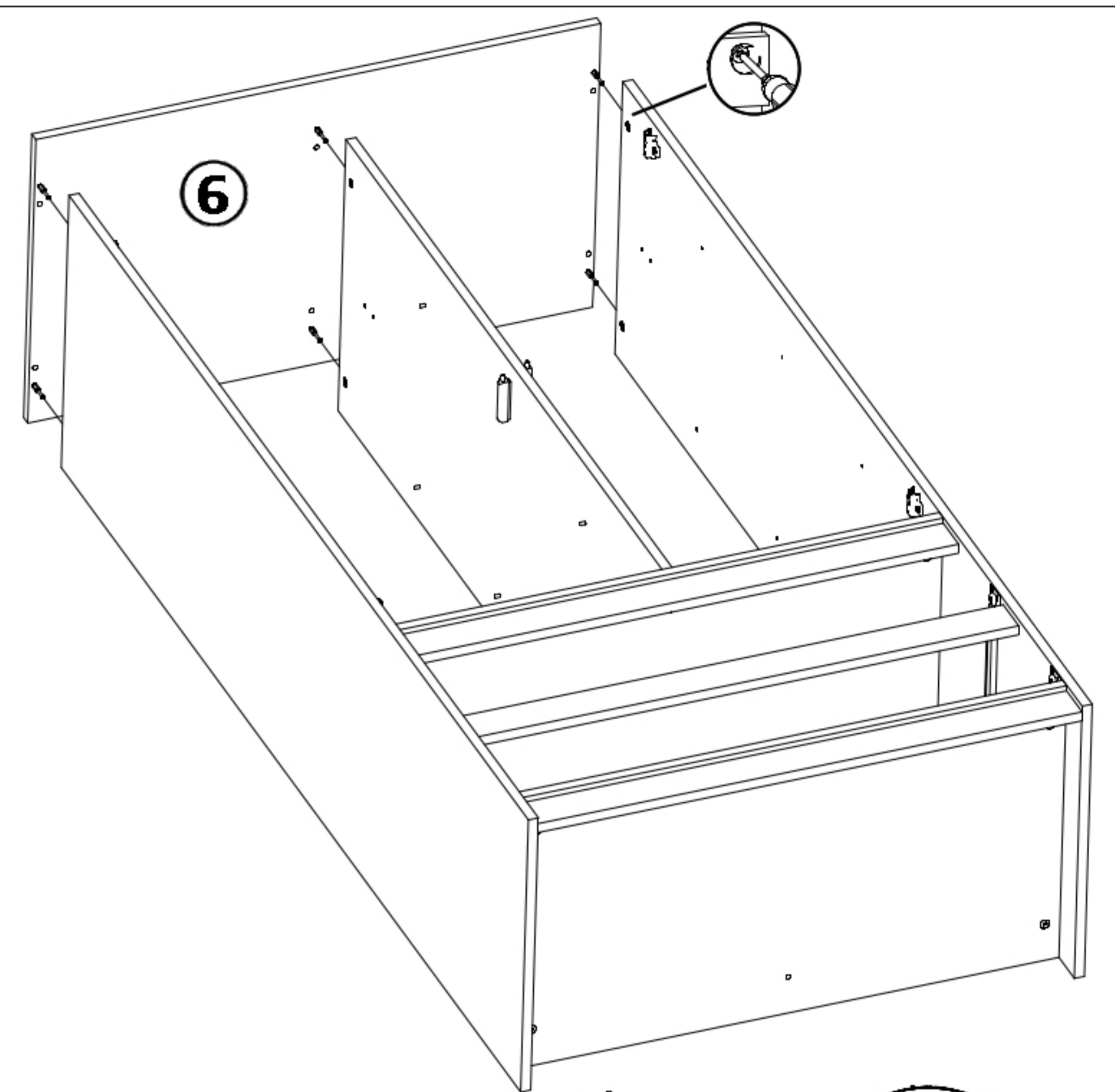


4



F2
K1

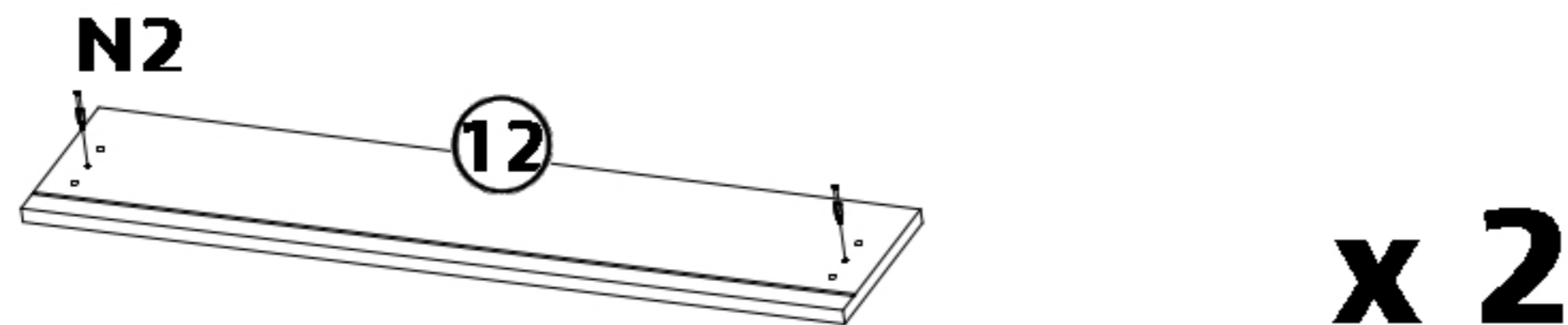
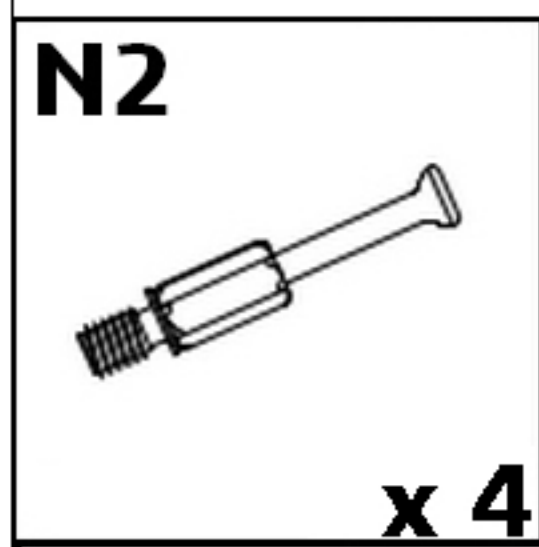
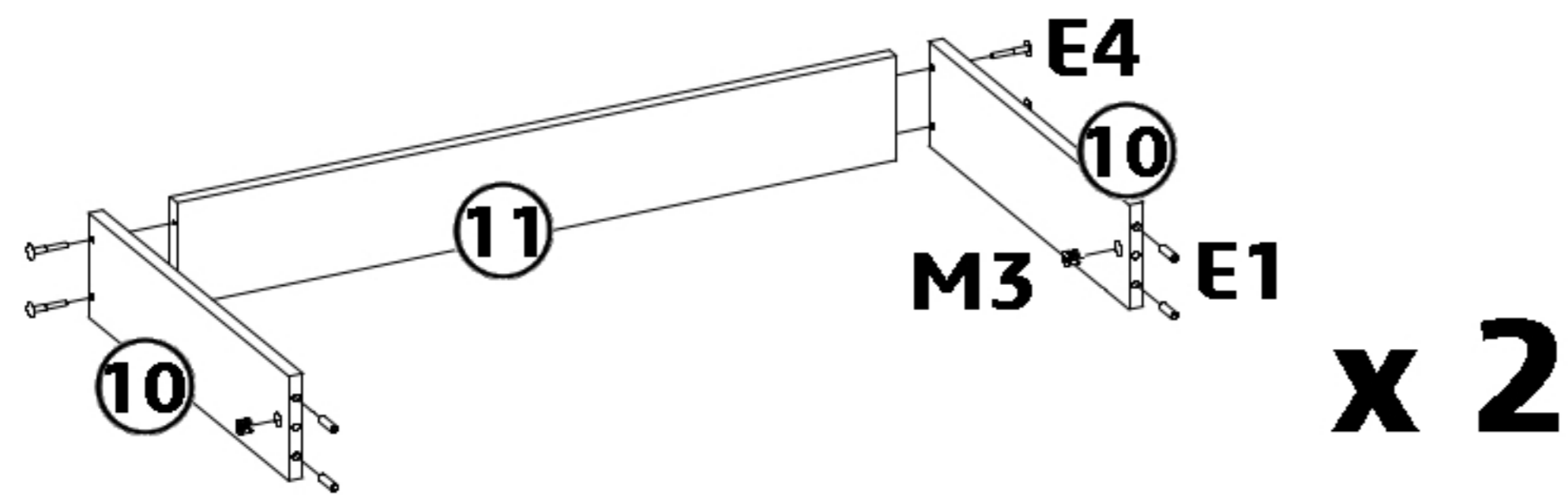
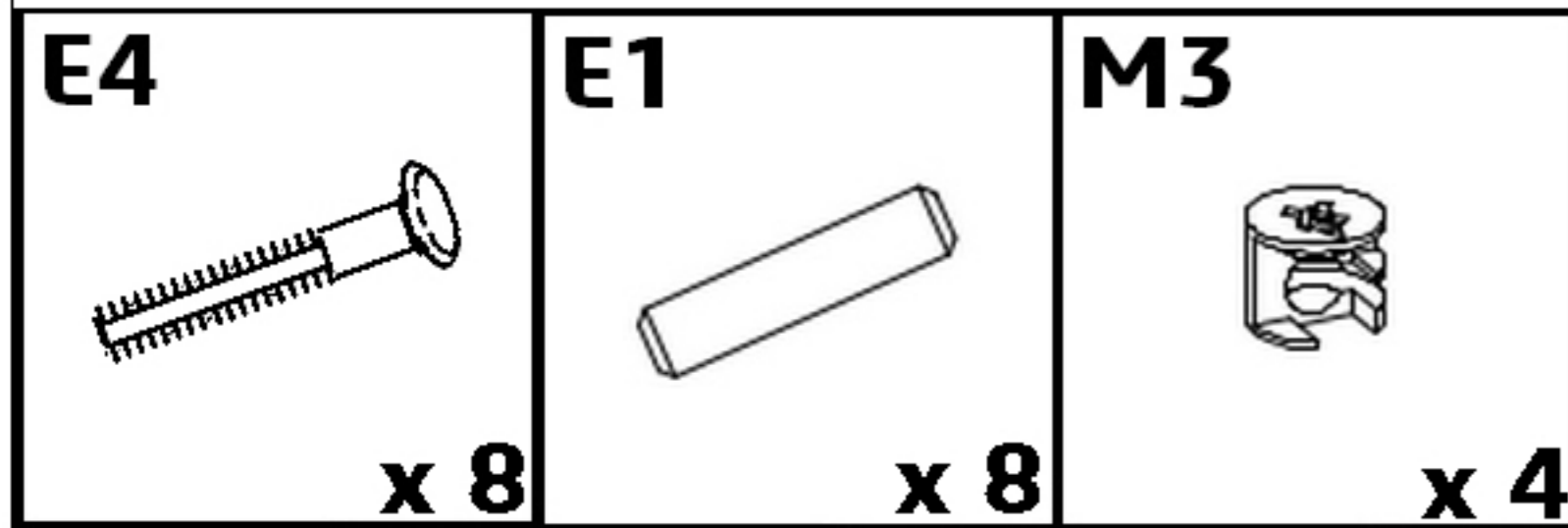
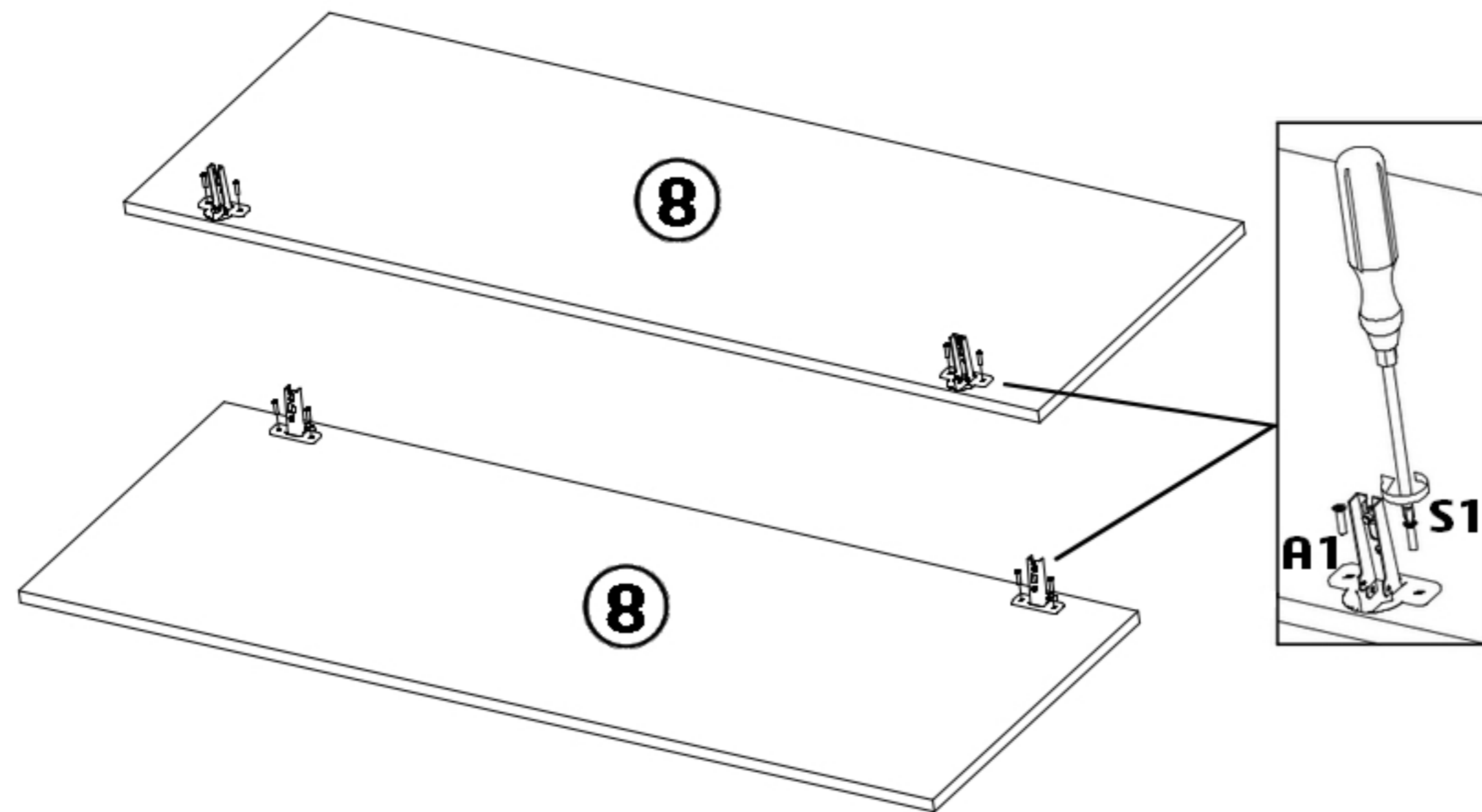
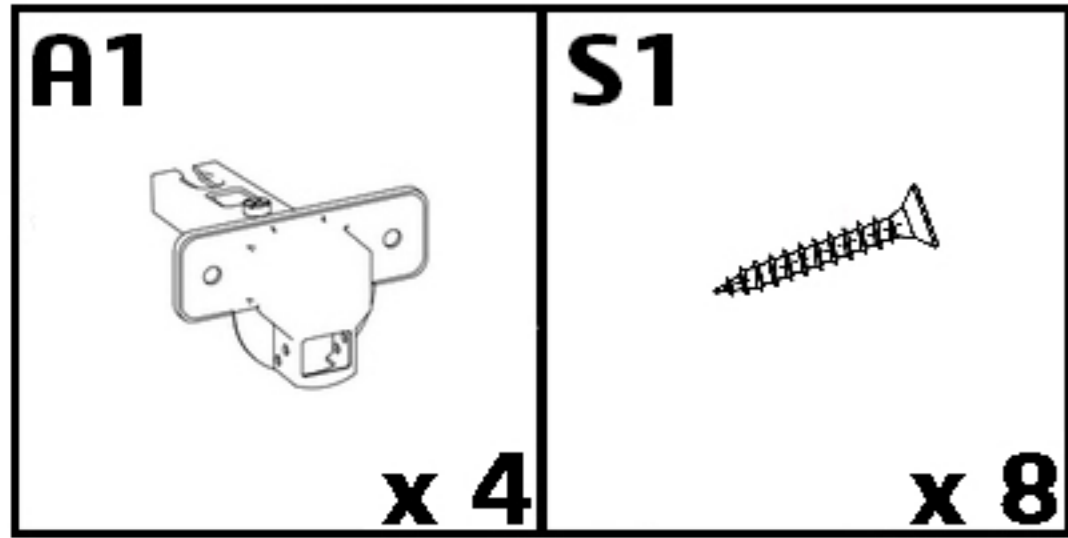
5



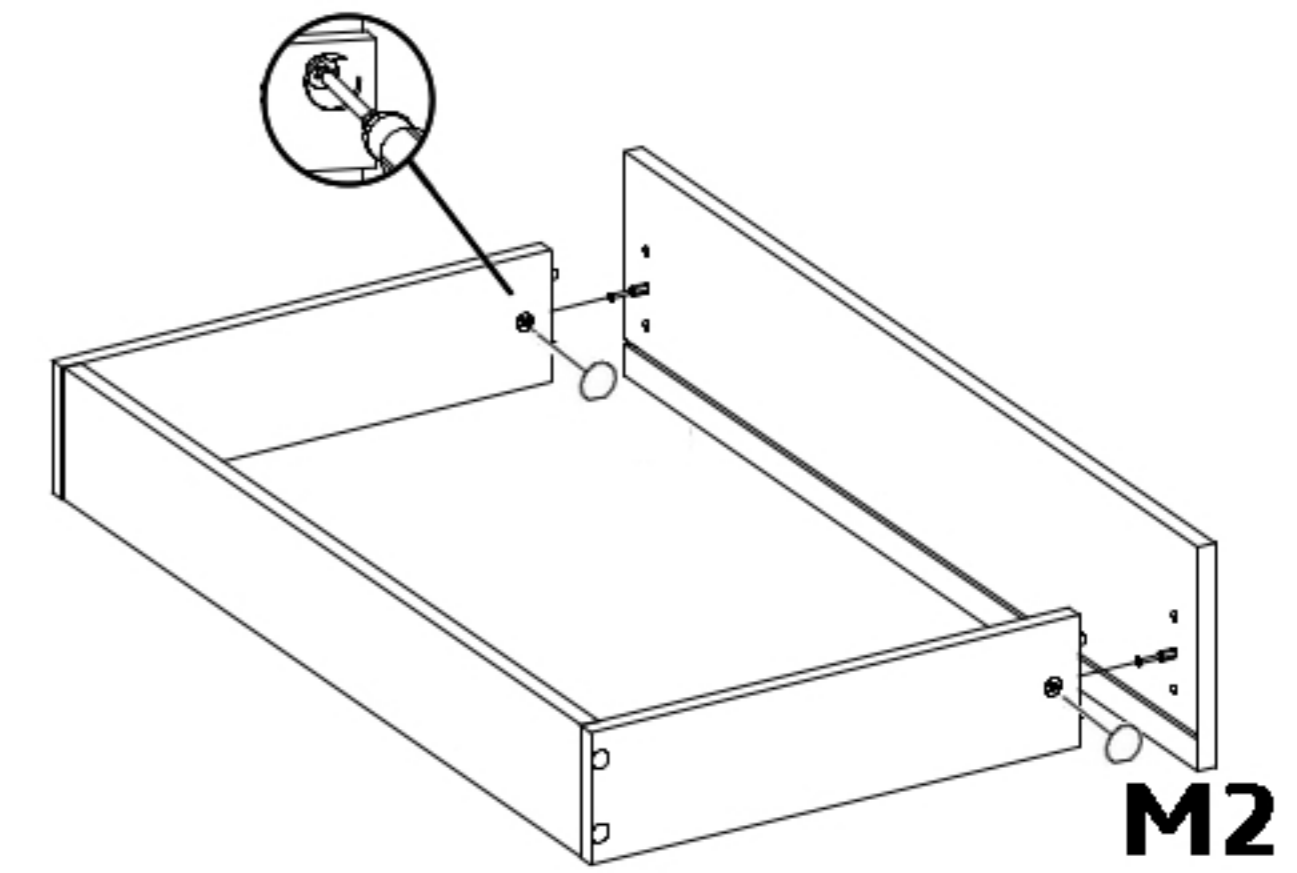
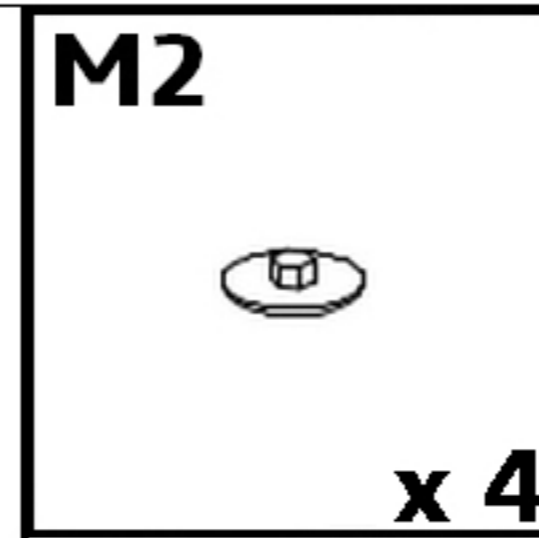
S7 ⑦
Z4
⑦

T1

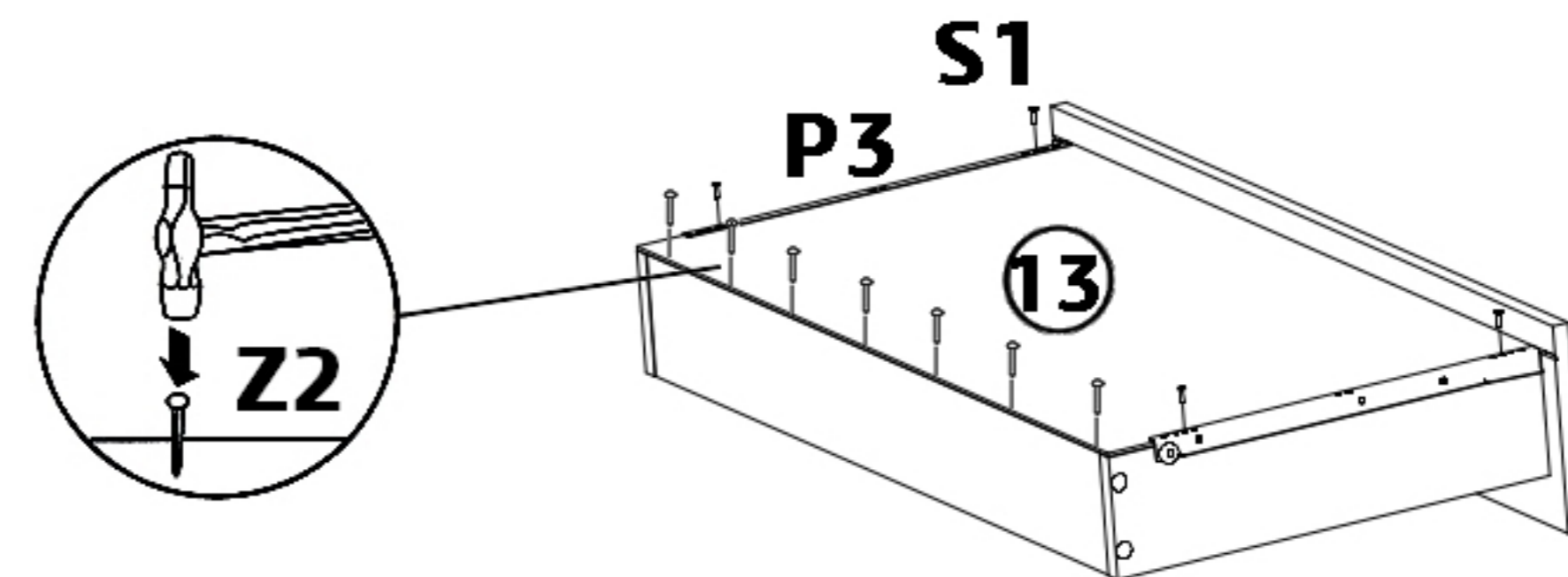
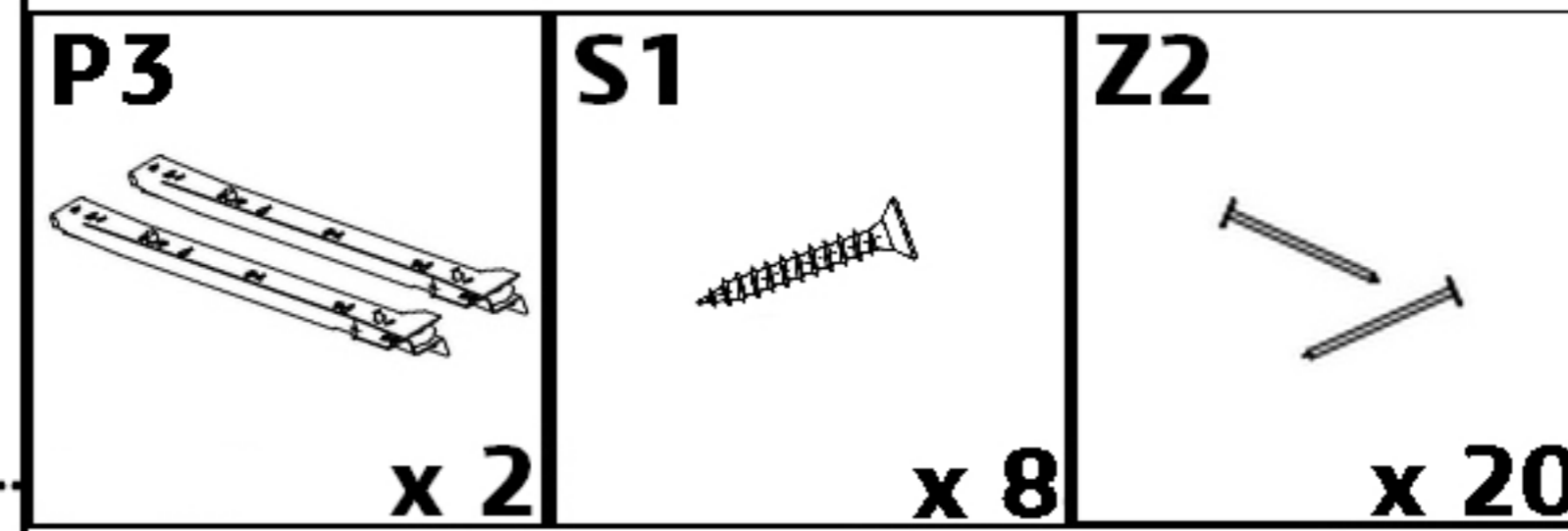
6



7

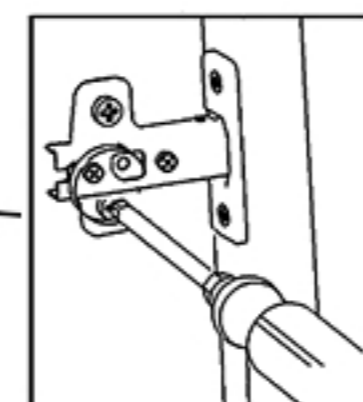
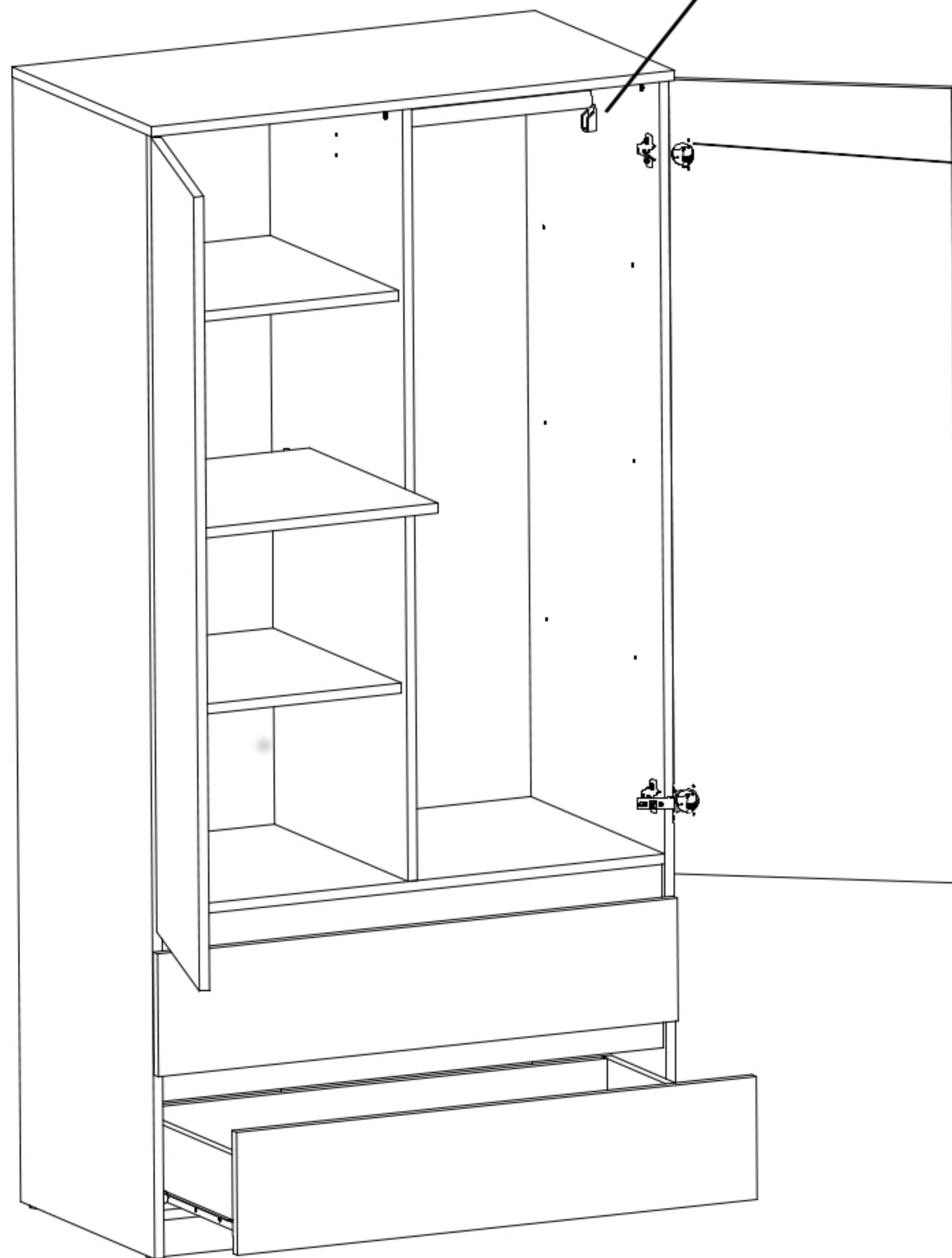
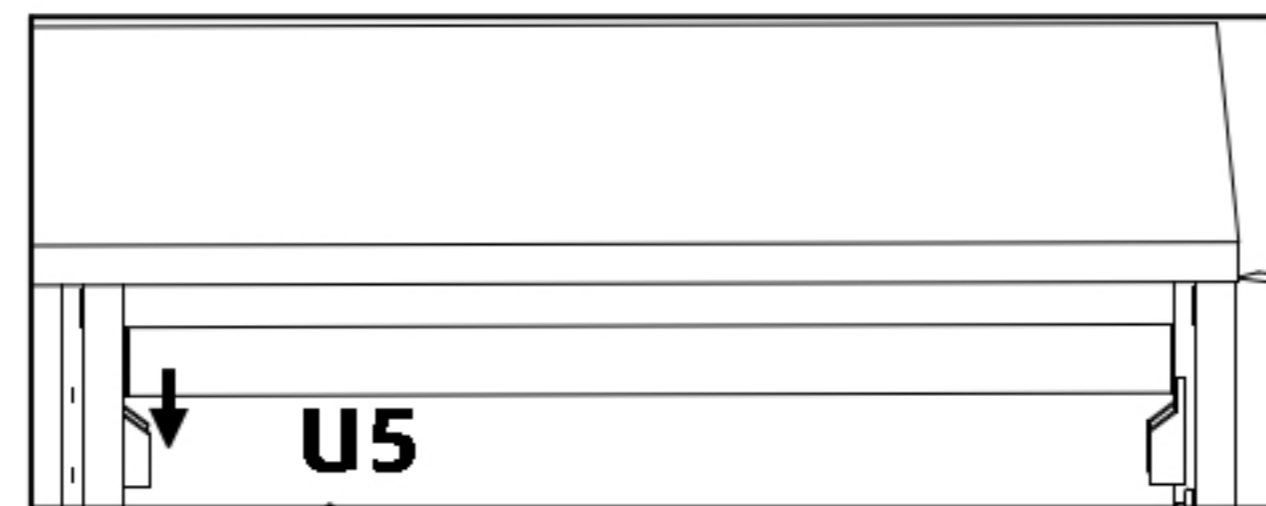
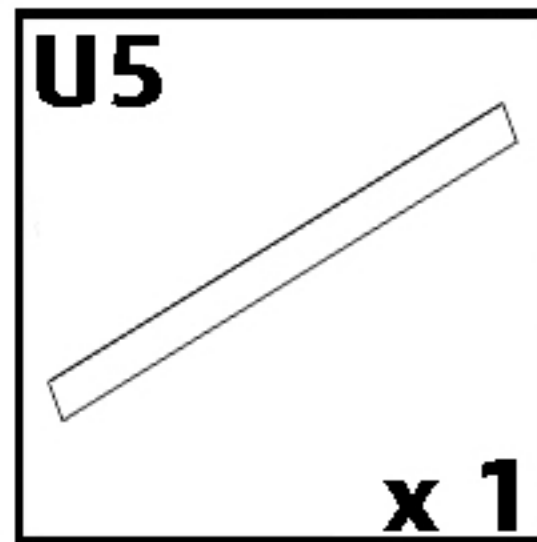


x 2



x 2

8



9

