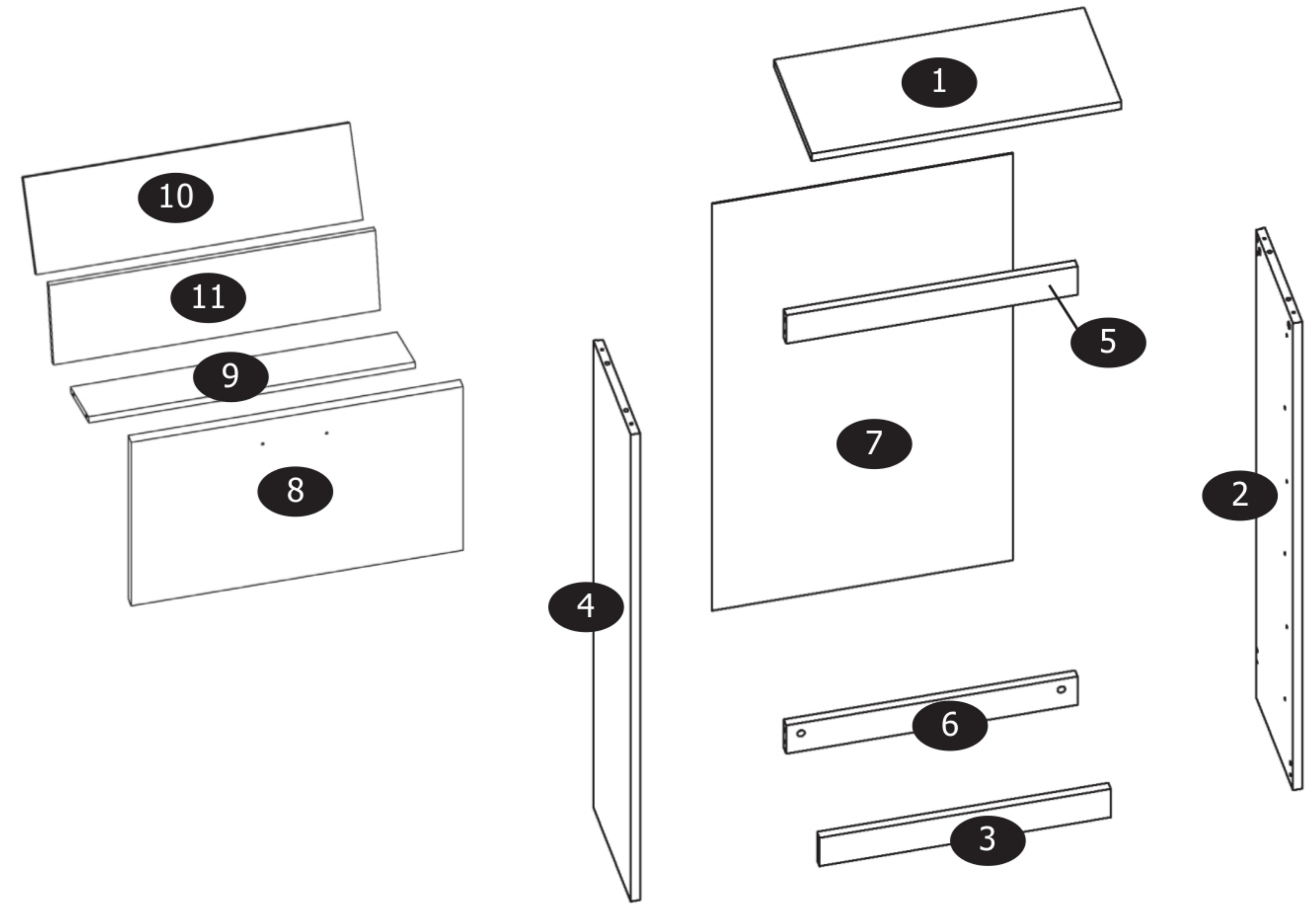
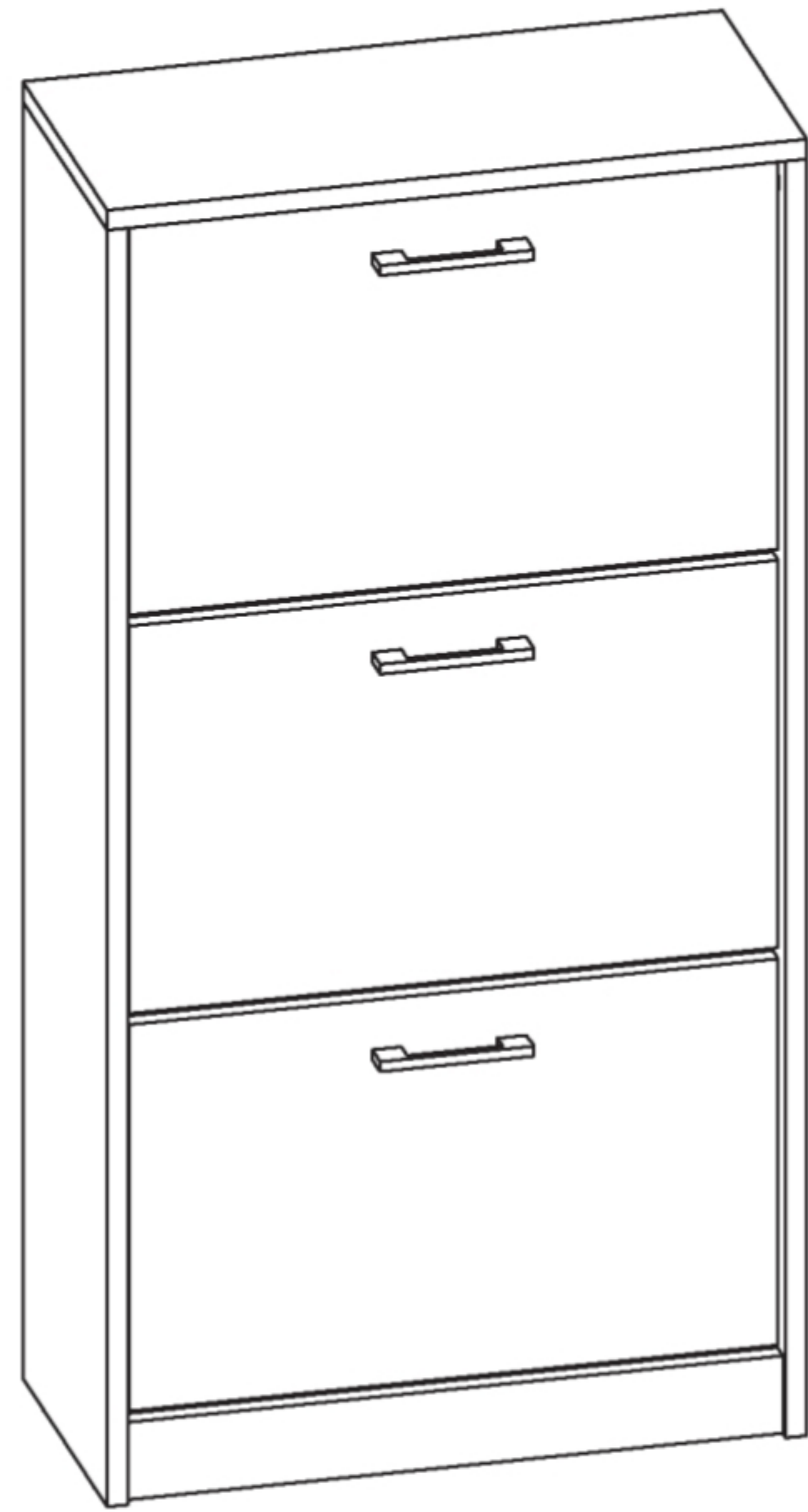

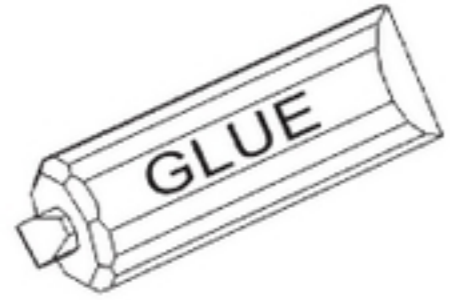
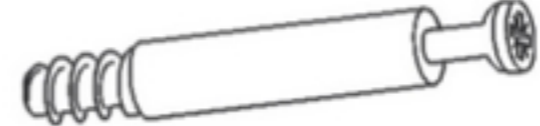
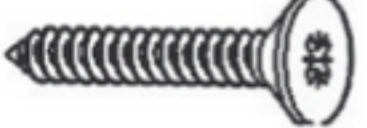
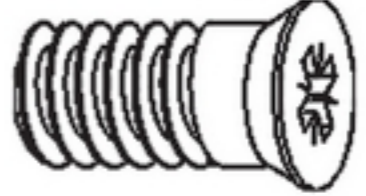


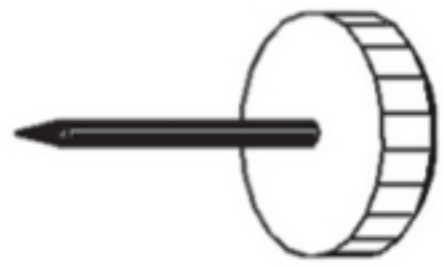
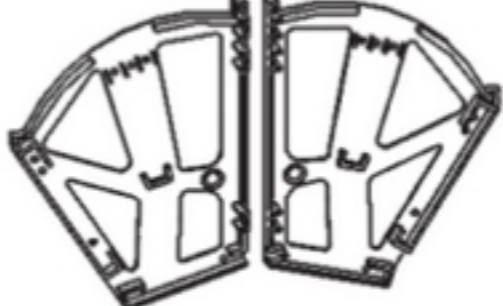

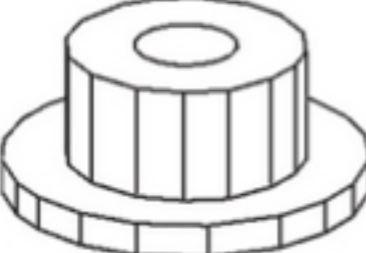
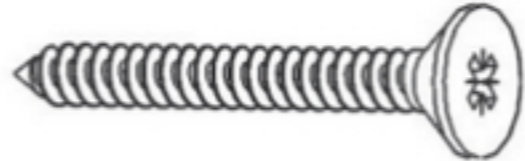

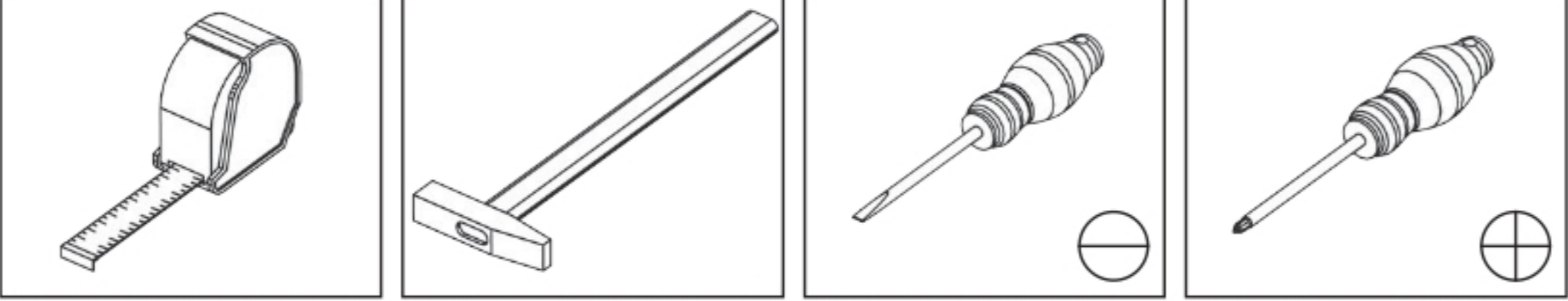


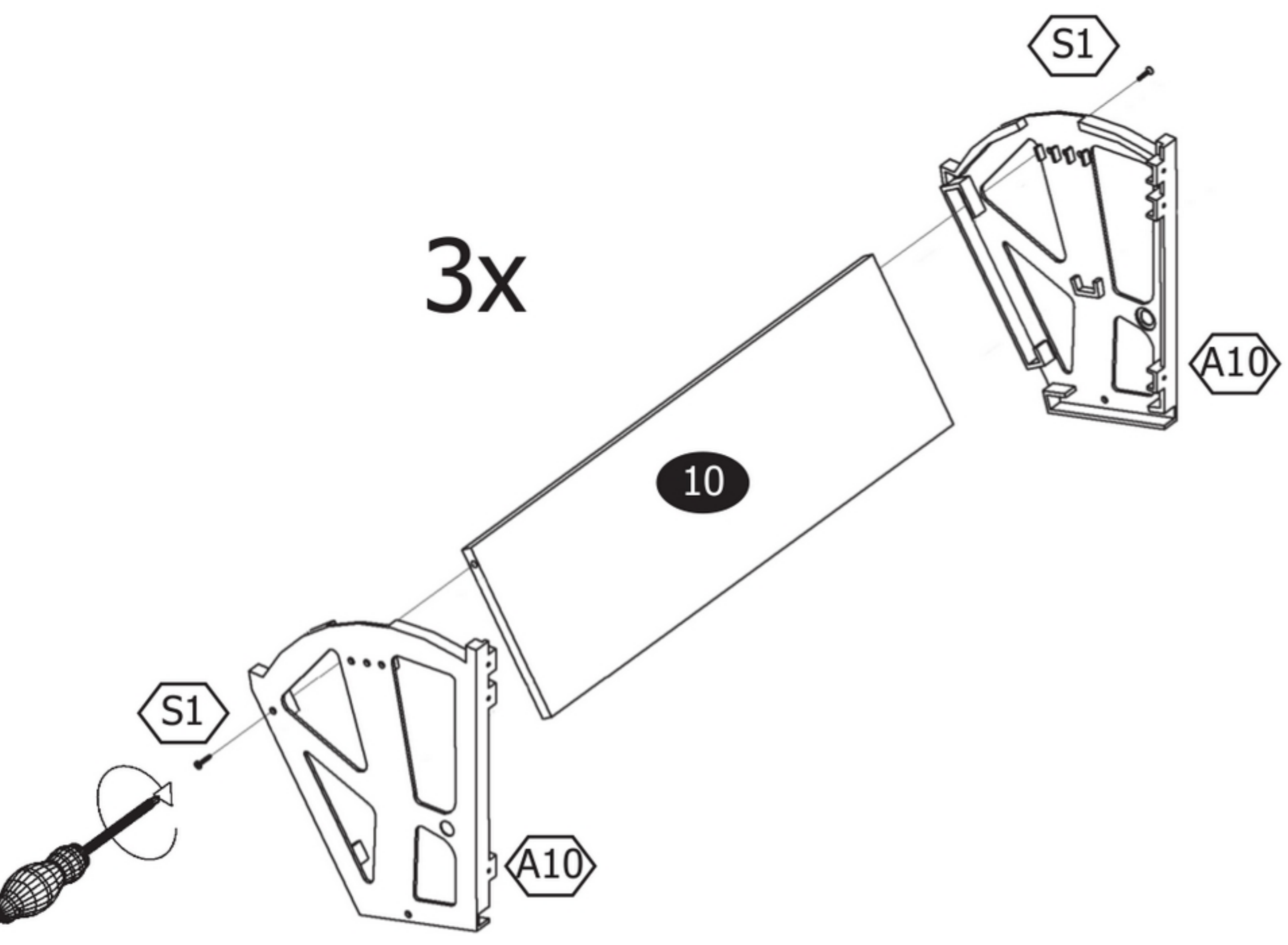
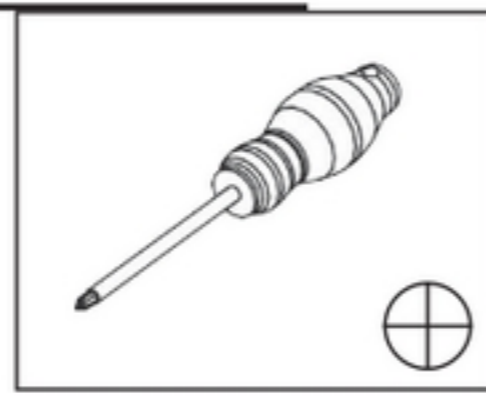
PAULA



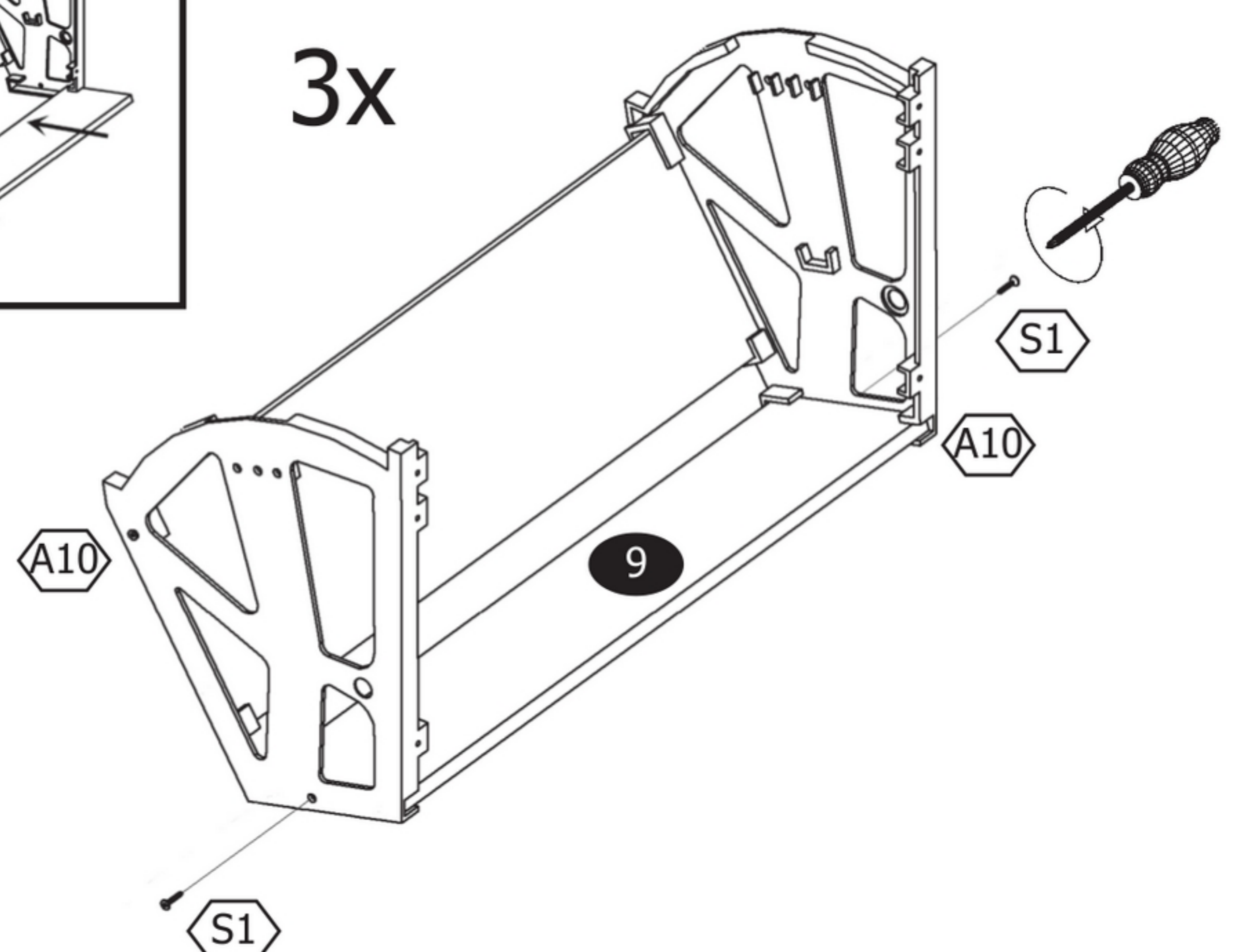
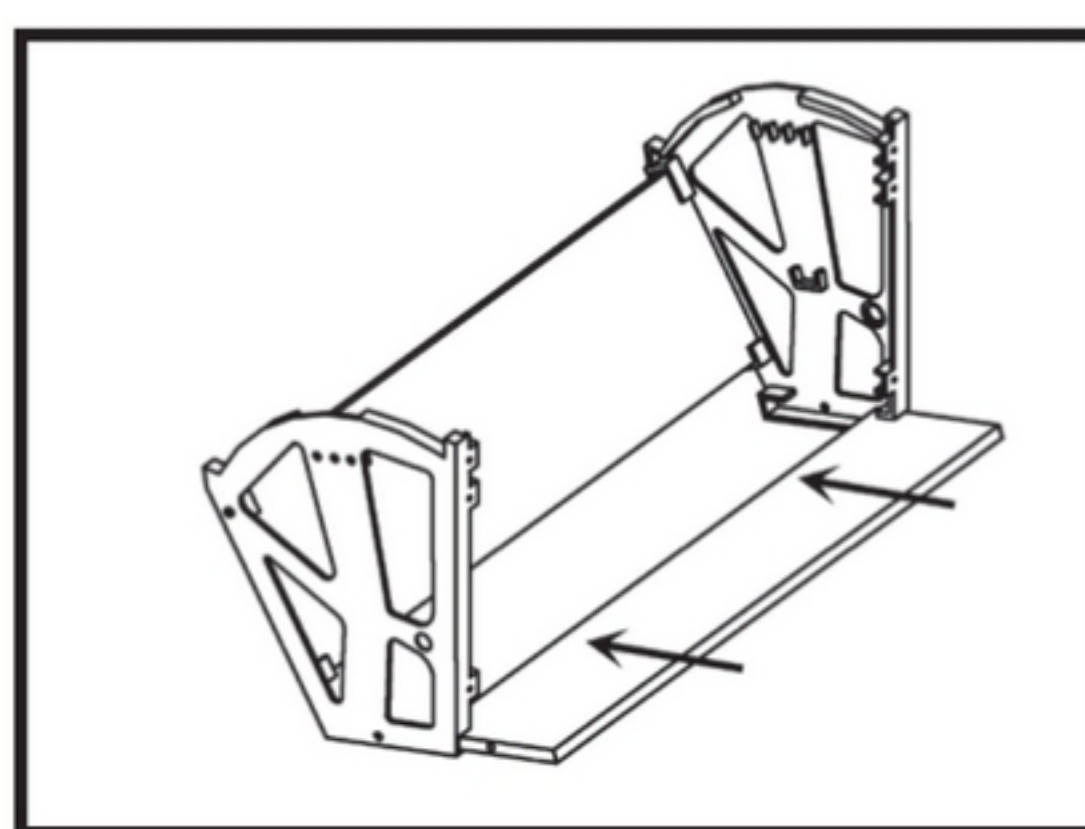
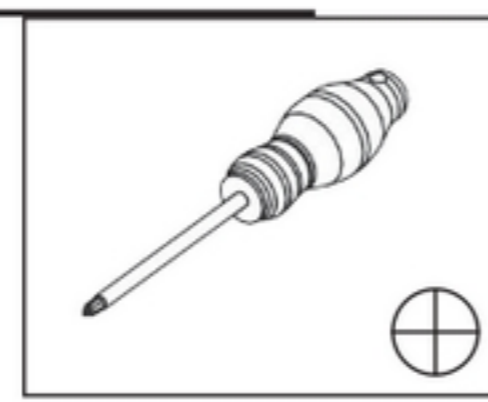
<p>U1</p>  <p>x3</p>	<p>X1</p>  <p>x1</p>	<p>N1</p>  <p>x8</p>	
<p>S1</p>  <p>x18 2,5x13mm</p>	<p>S15</p>  <p>x246,3x13mm</p>	<p>M3</p>  <p>x8</p>	
<p>E1</p>  <p>x12 Ø8mm</p>	<p>T1</p>  <p>x4</p>	<p>A10</p>  <p>x3</p>	
<p>A11</p>  <p>x6</p>	<p>A12</p>  <p>x6</p>	<p>S3</p>  <p>x6 4x27mm</p>	
<p>Z2</p>  <p>x26 2x25mm</p>			

- 1 x1
- 2 x1
- 3 x1
- 4 x1
- 5 x1
- 6 x1
- 7 x1
- 8 x3
- 9 x3
- 10 x3
- 11 x3

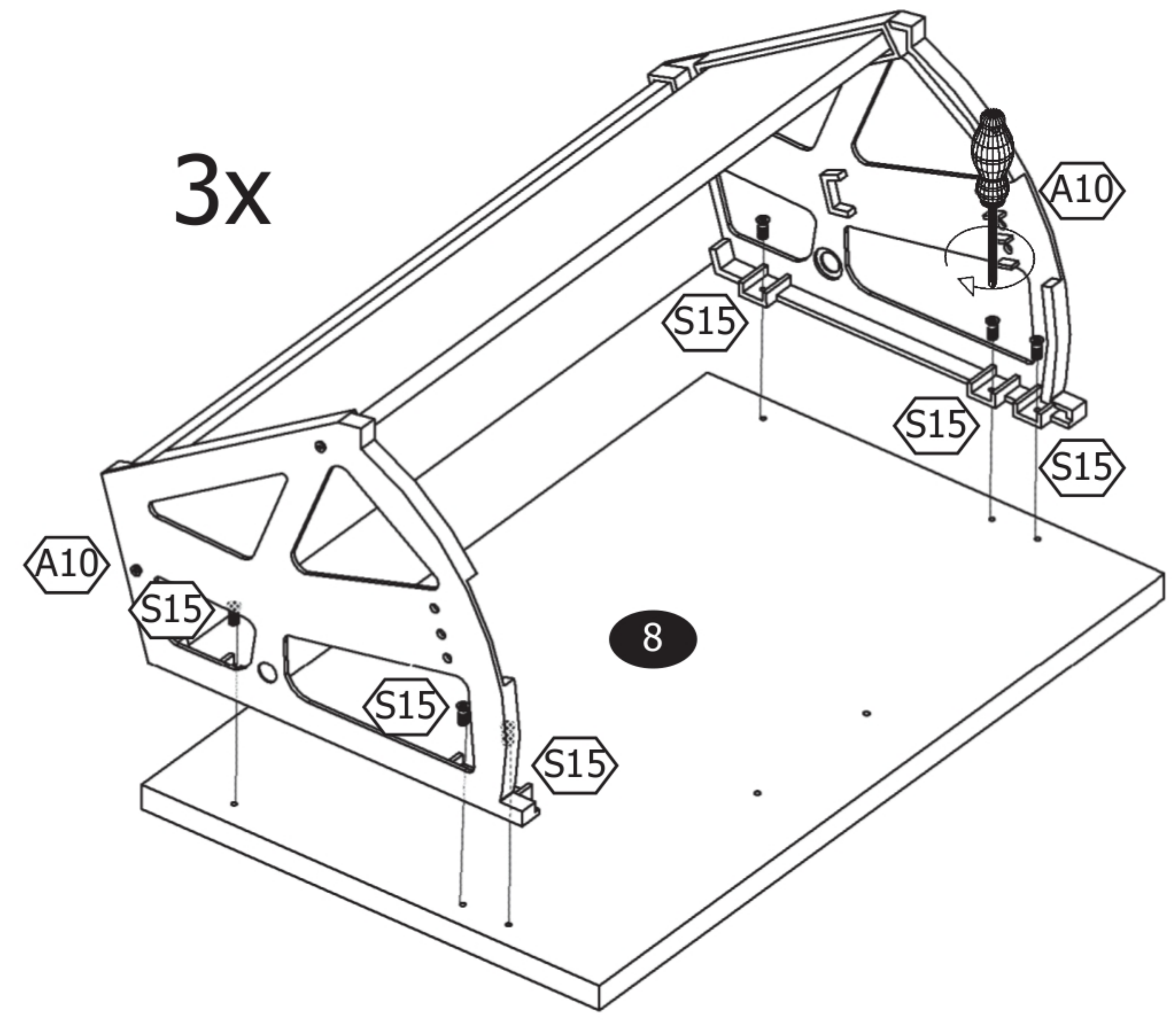
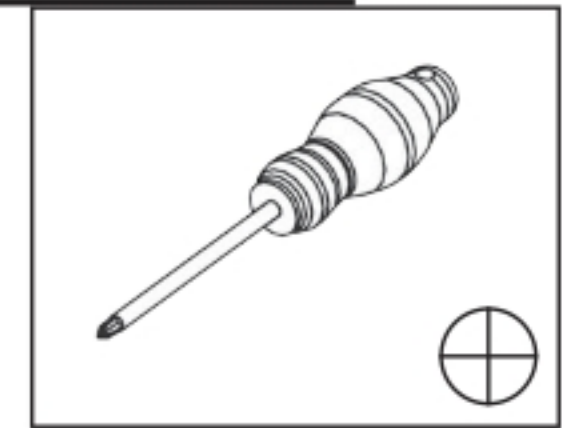
1



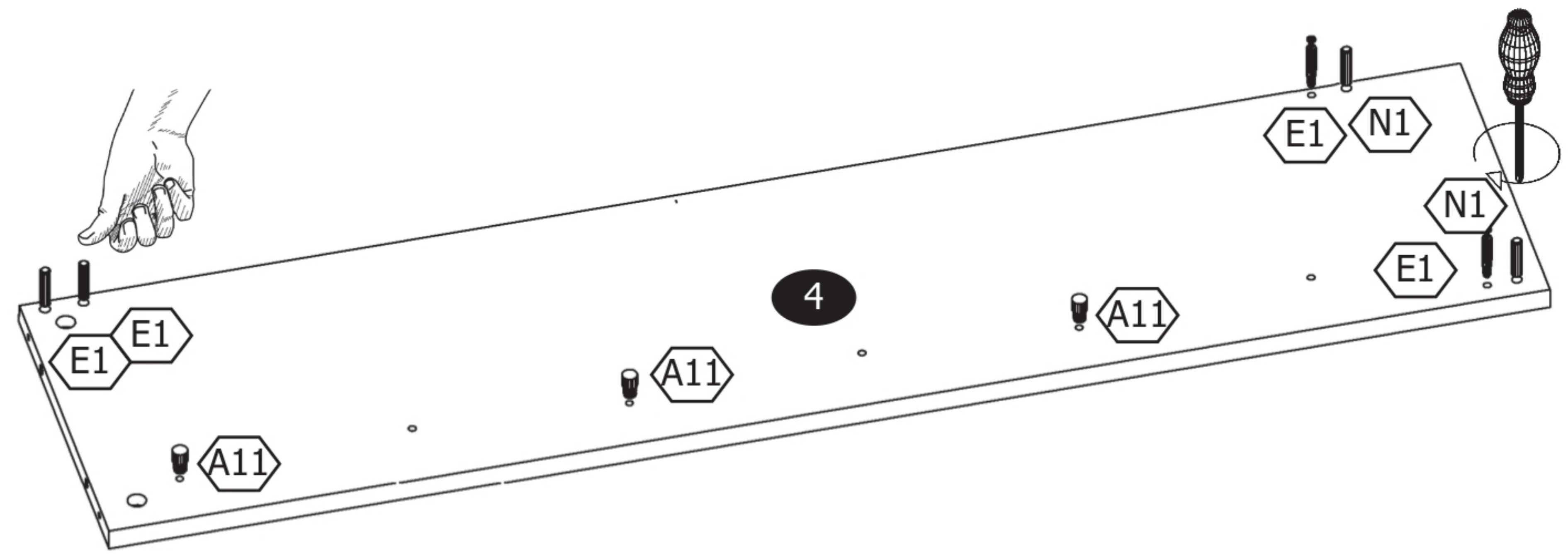
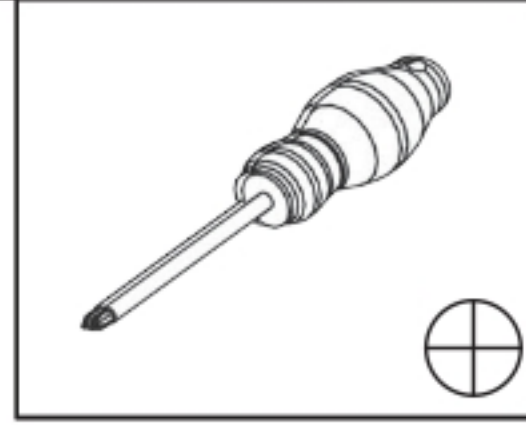
2

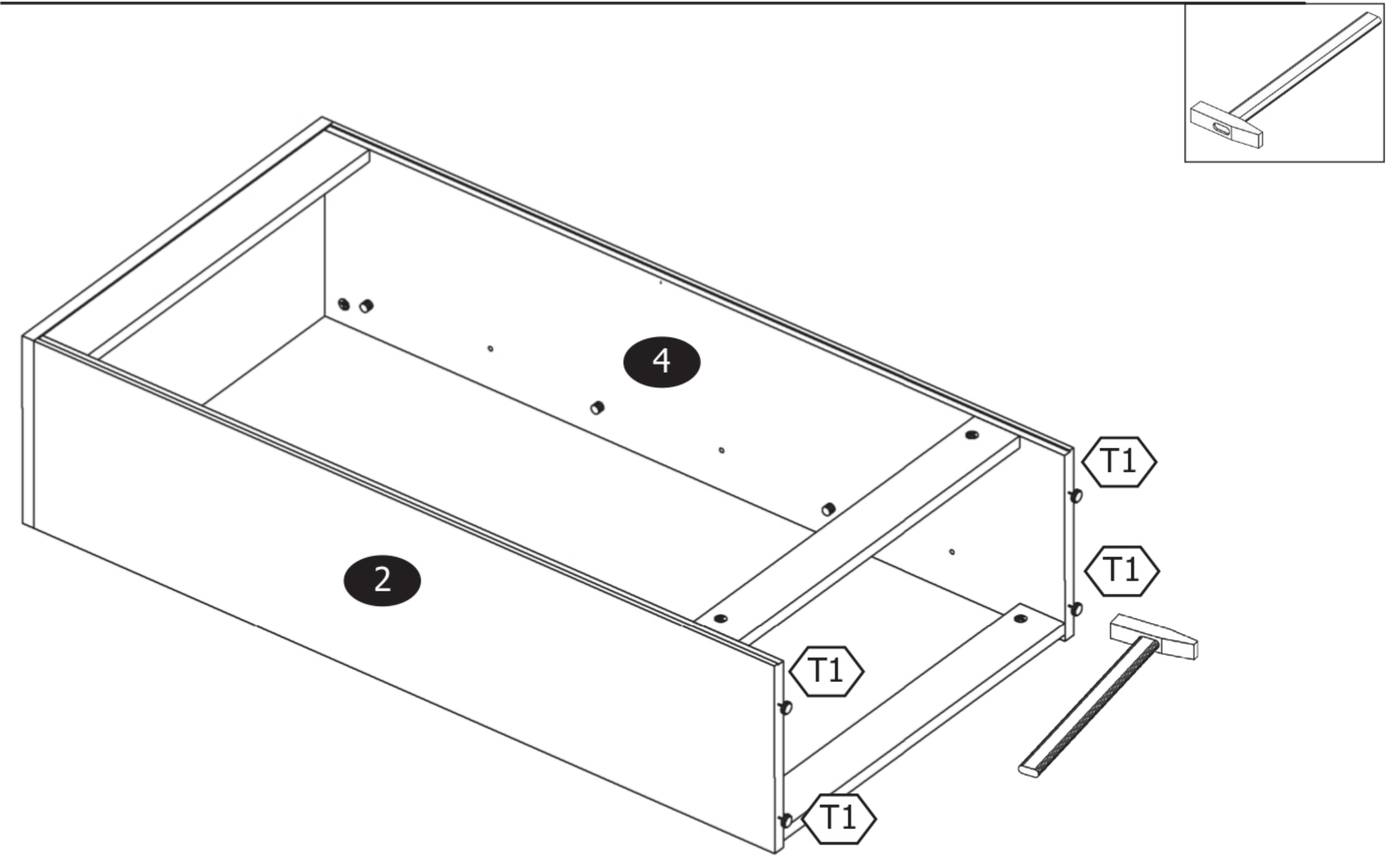
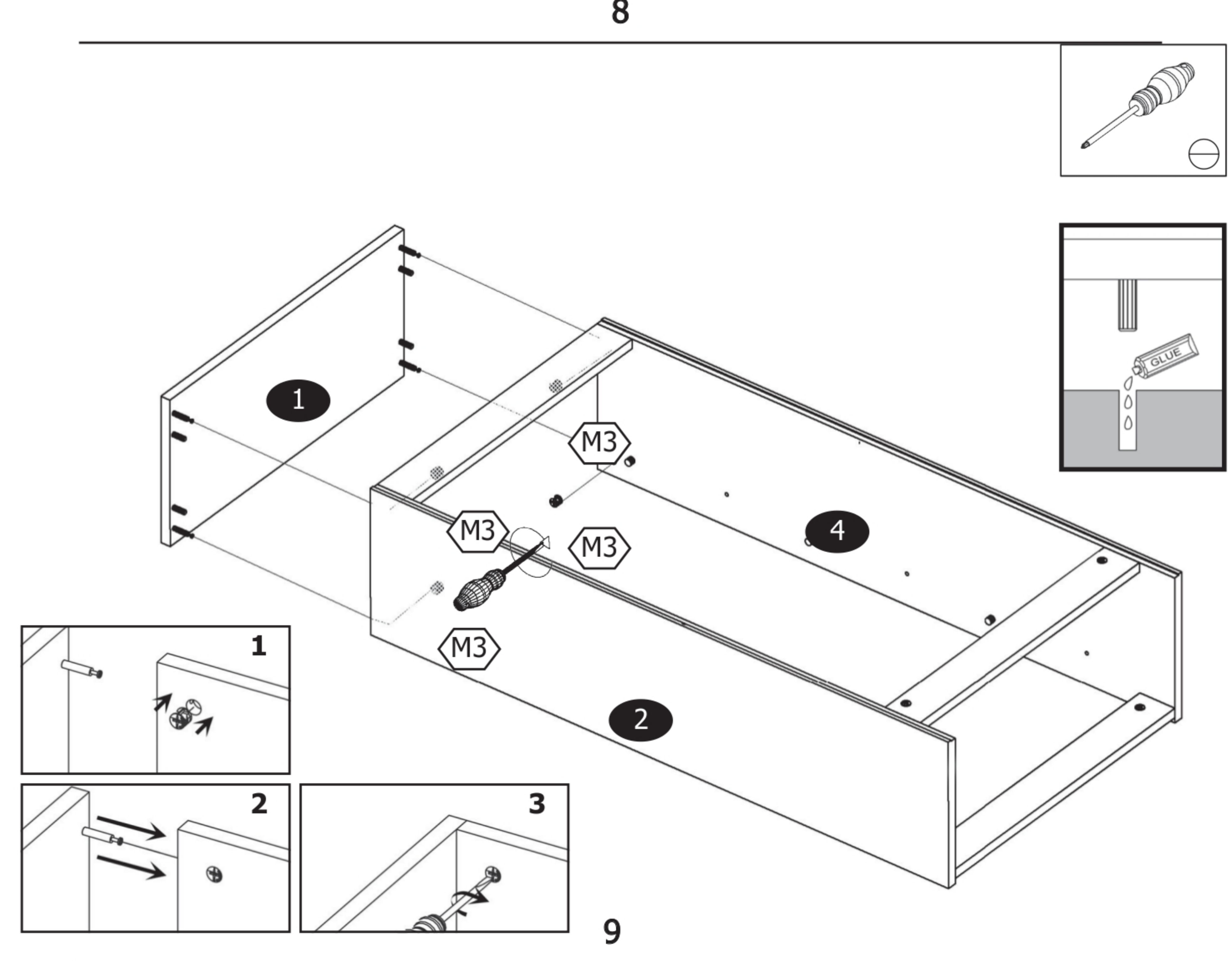
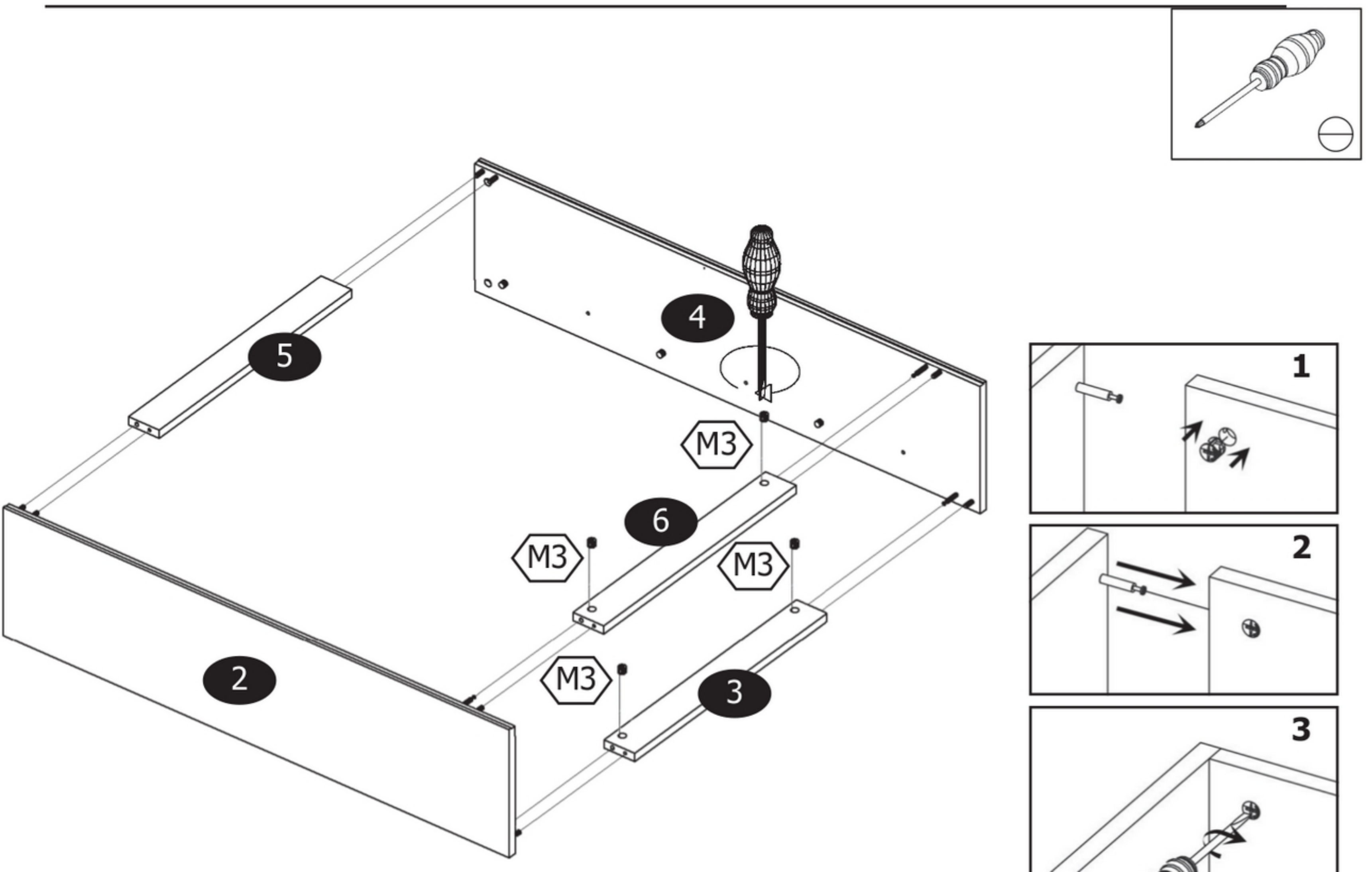
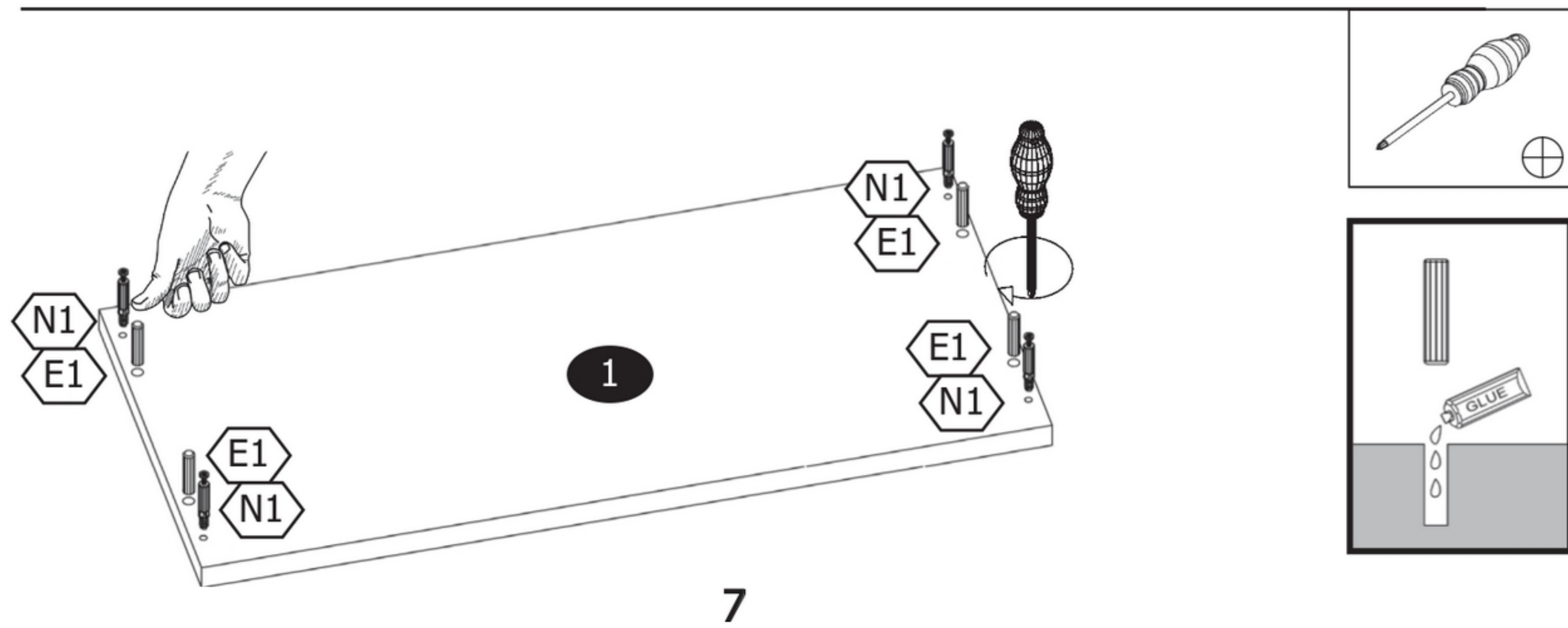
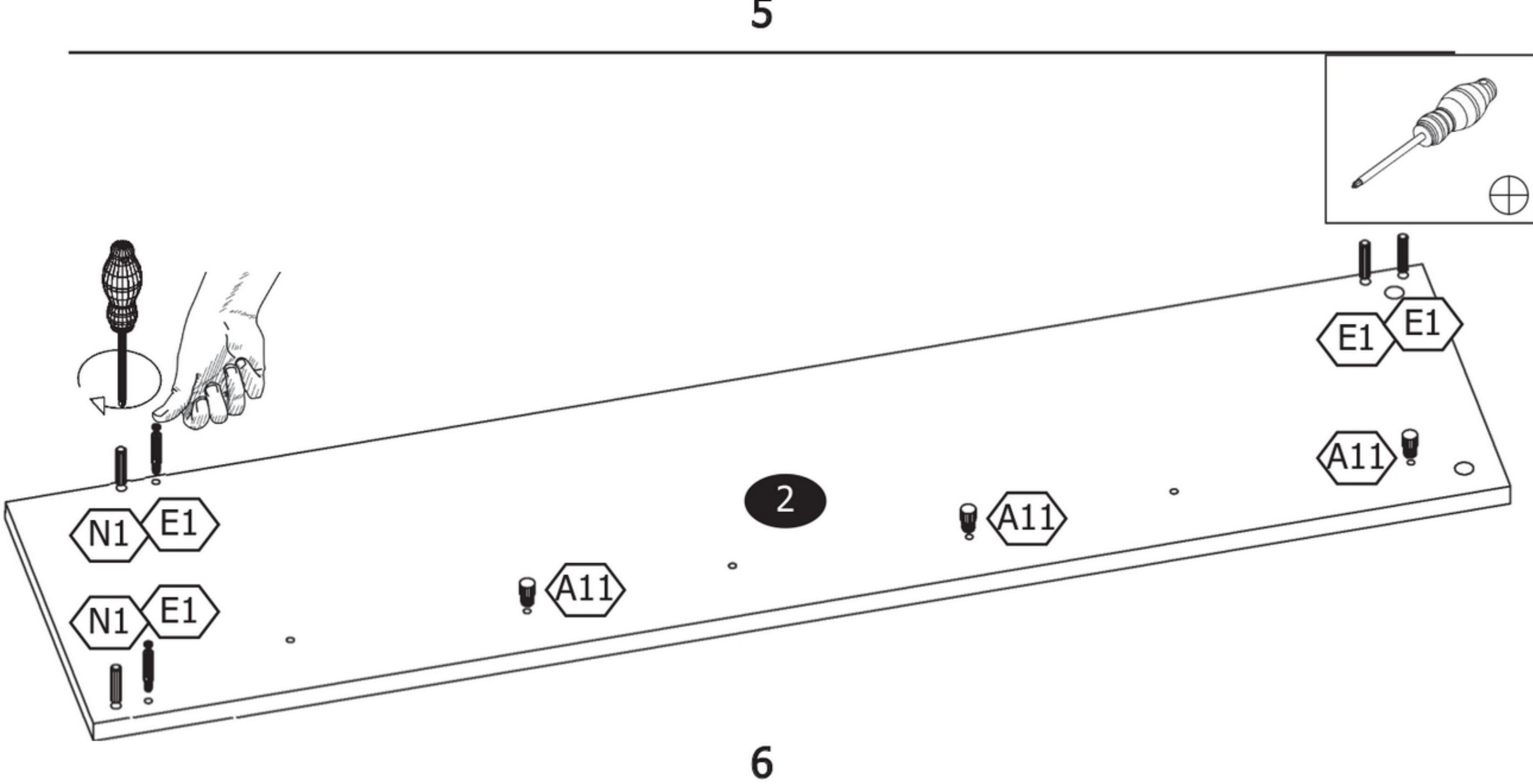


3

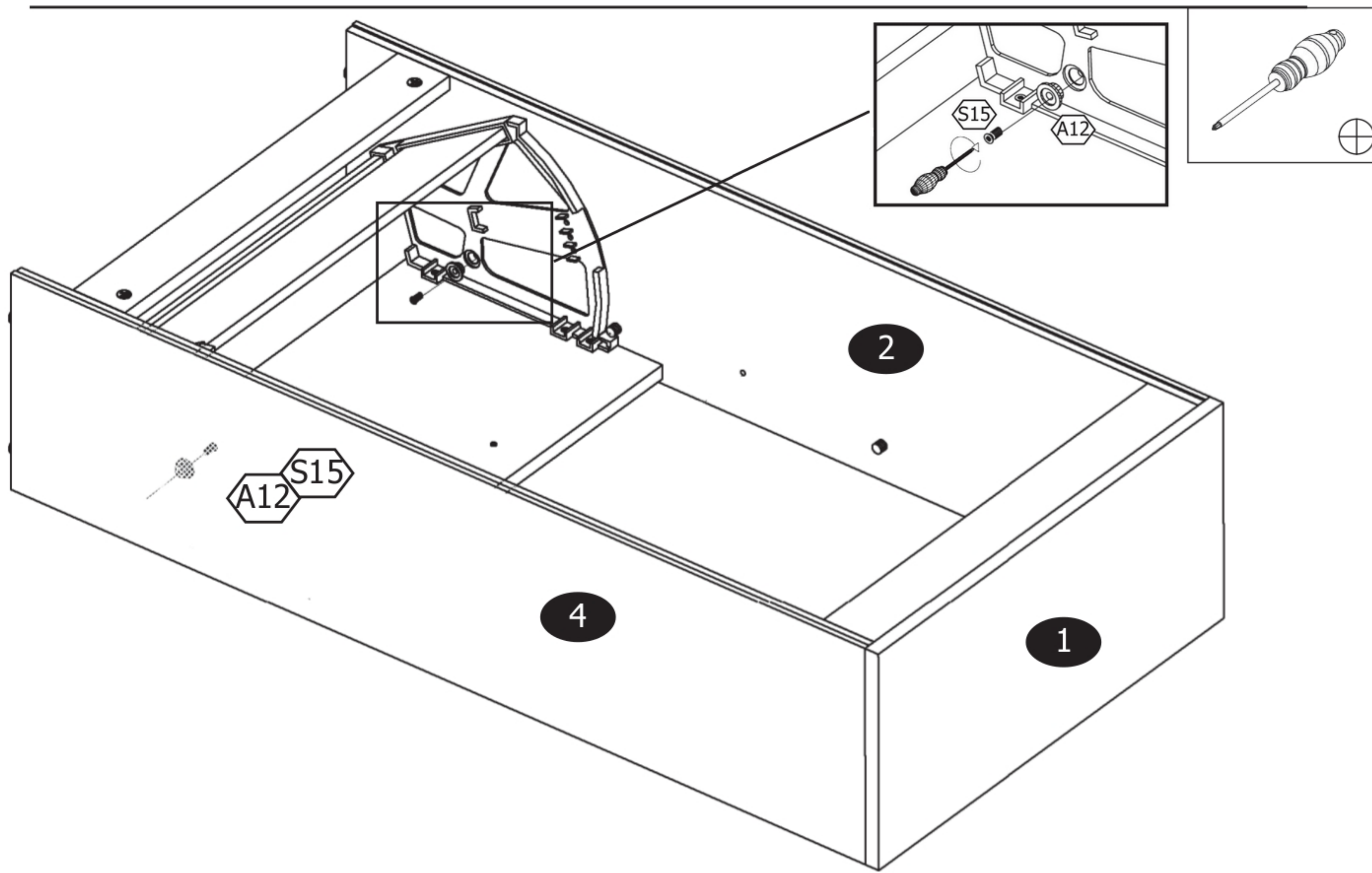


4

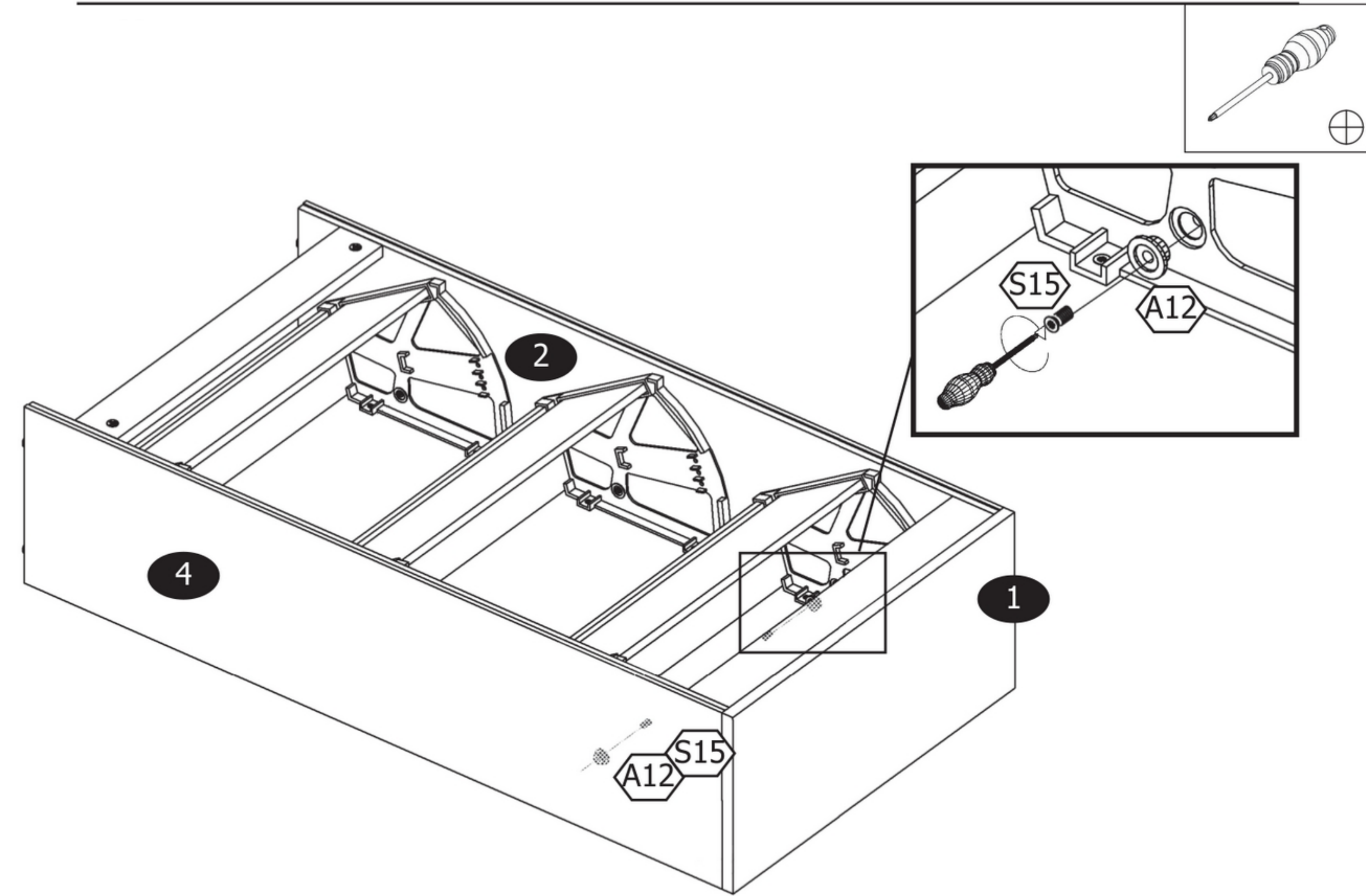




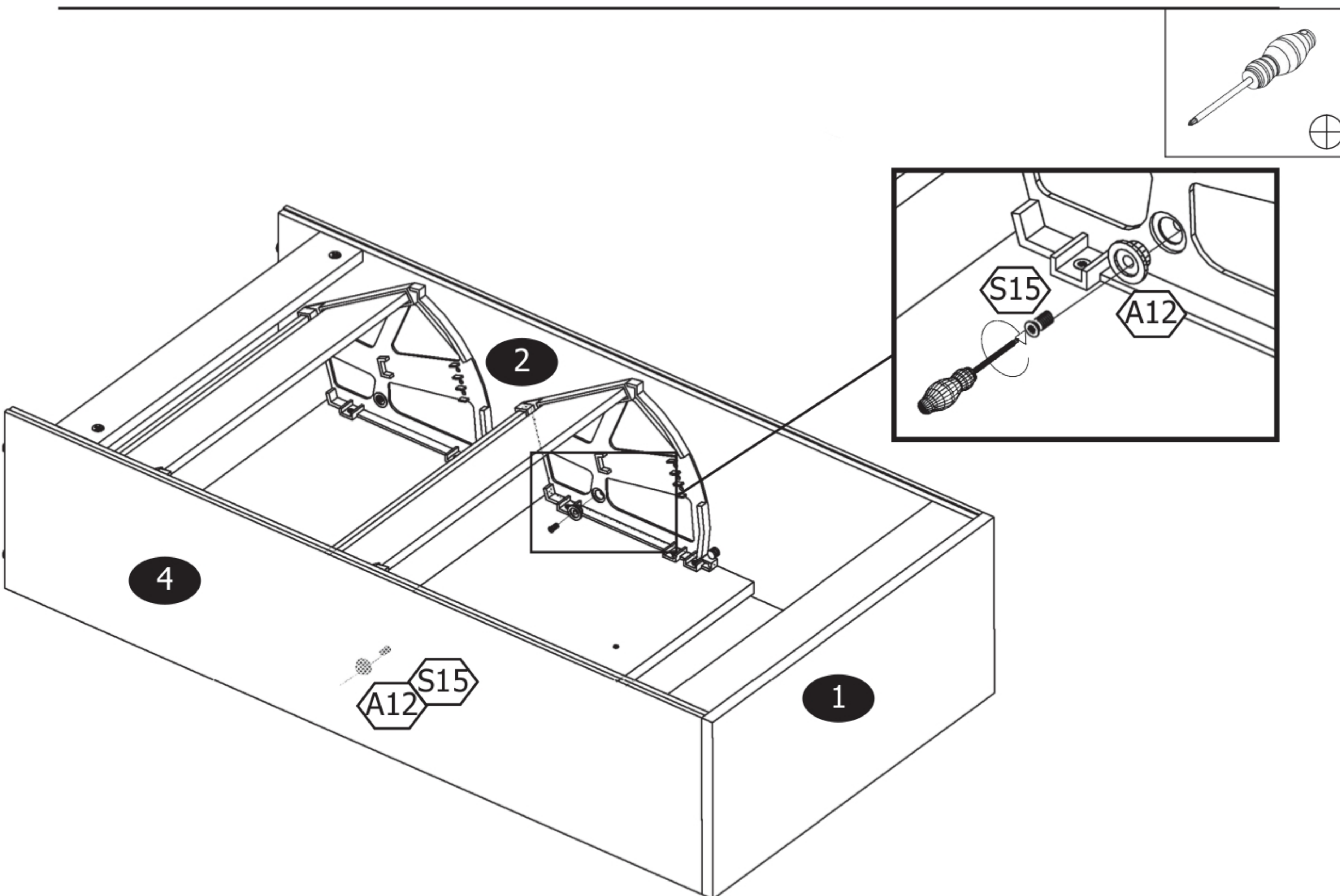
10



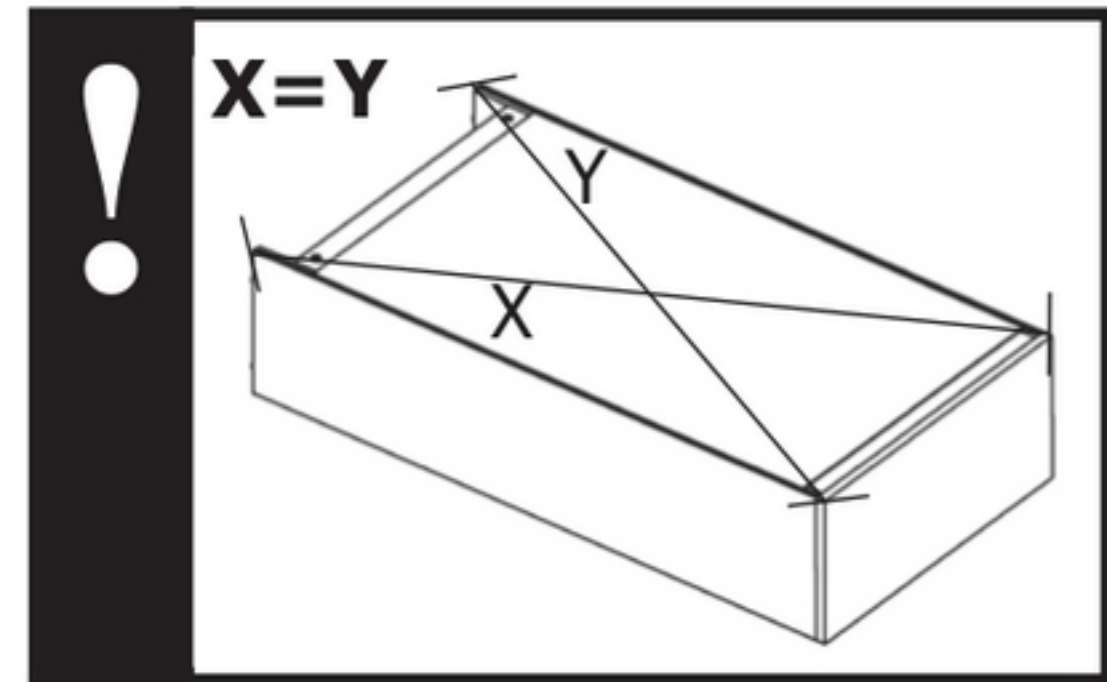
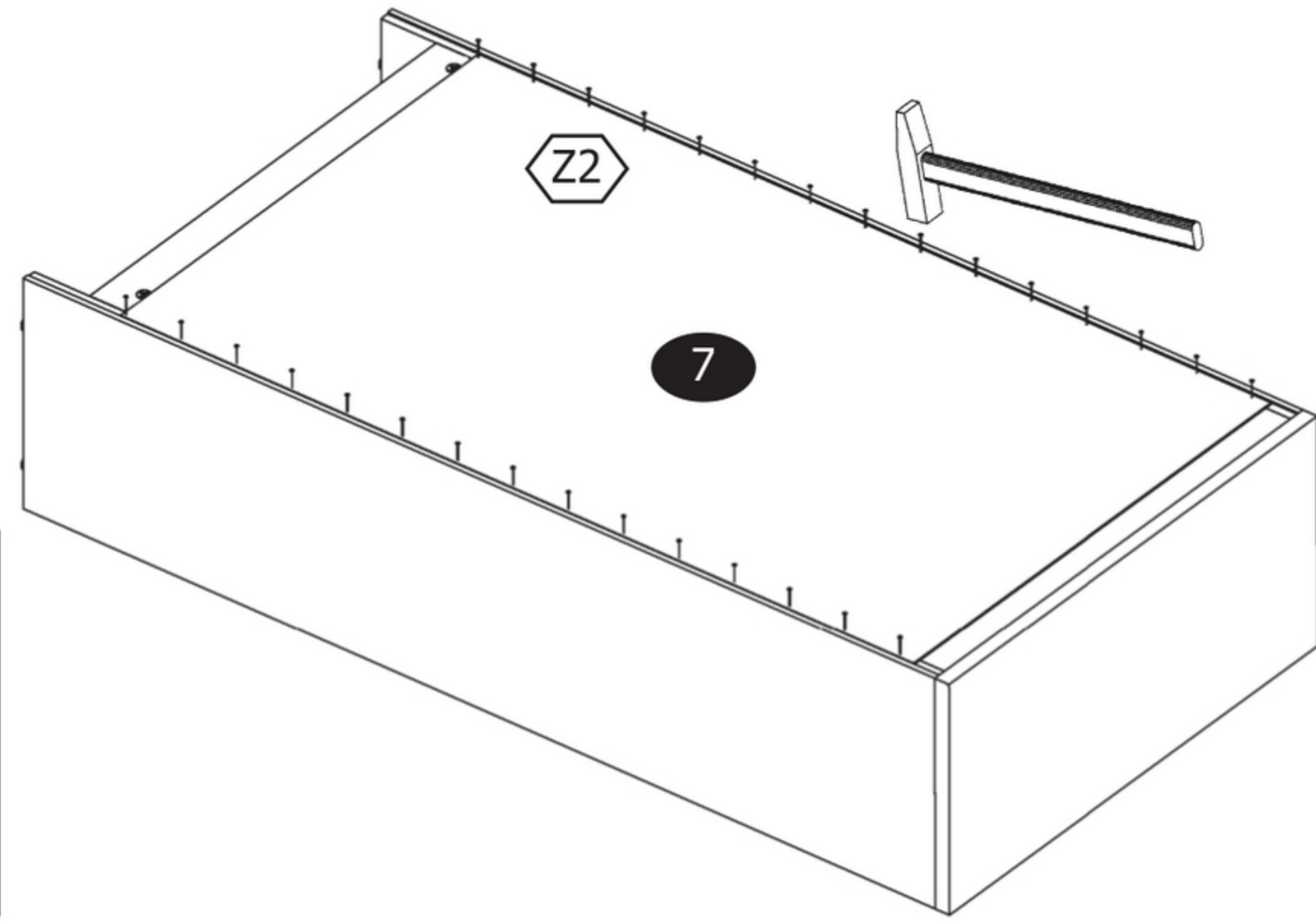
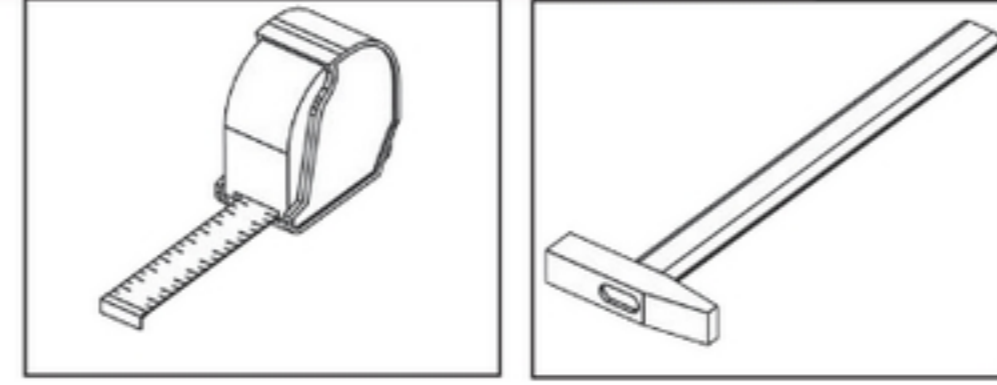
12



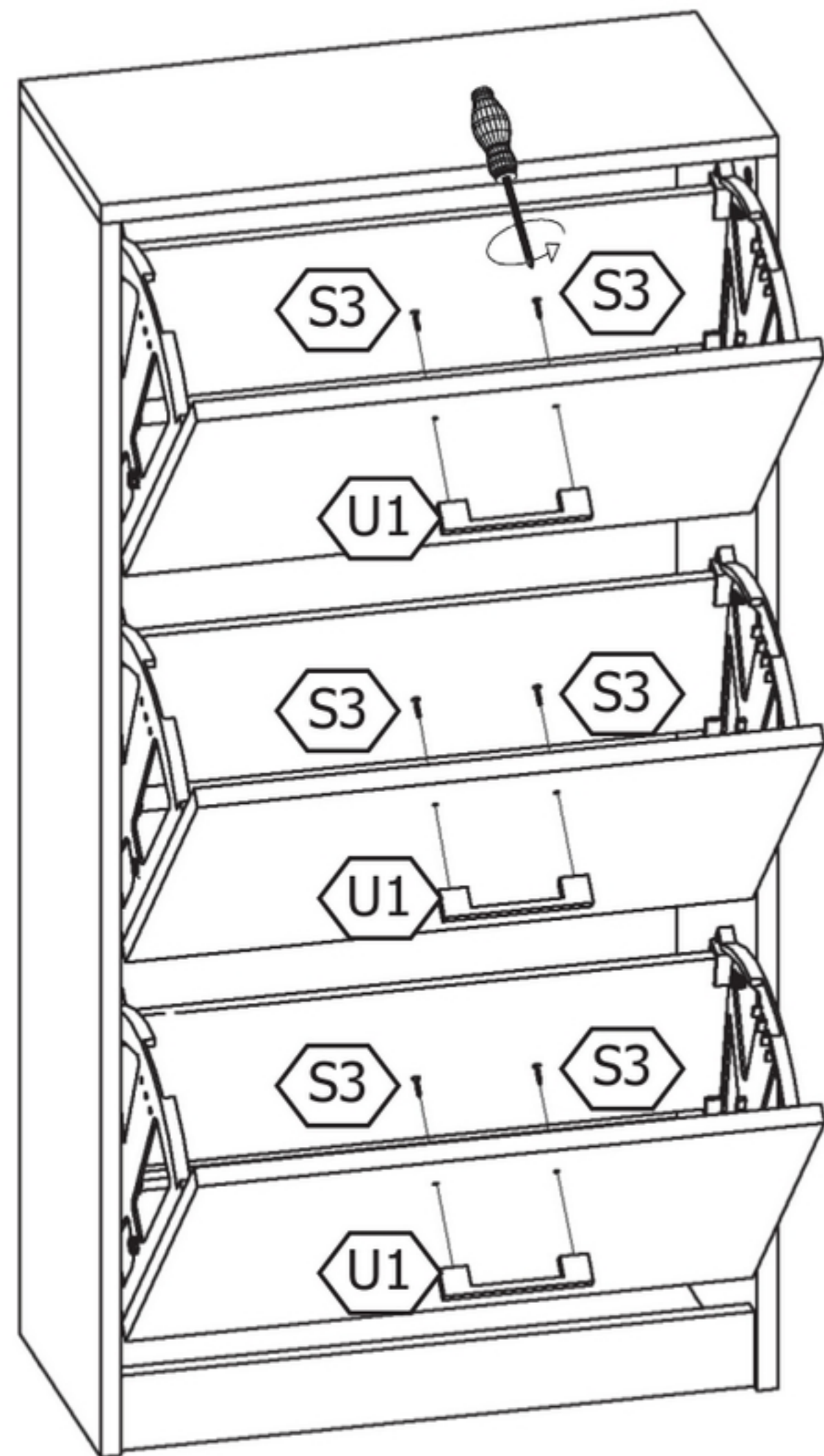
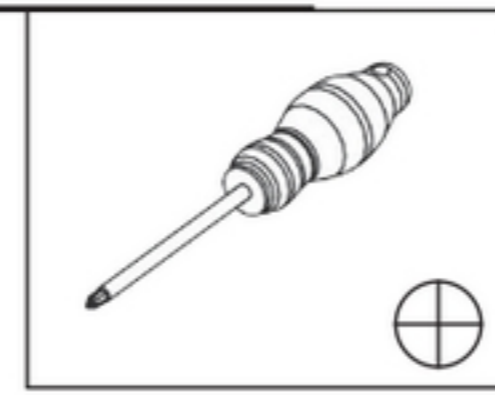
11



13



14



15

