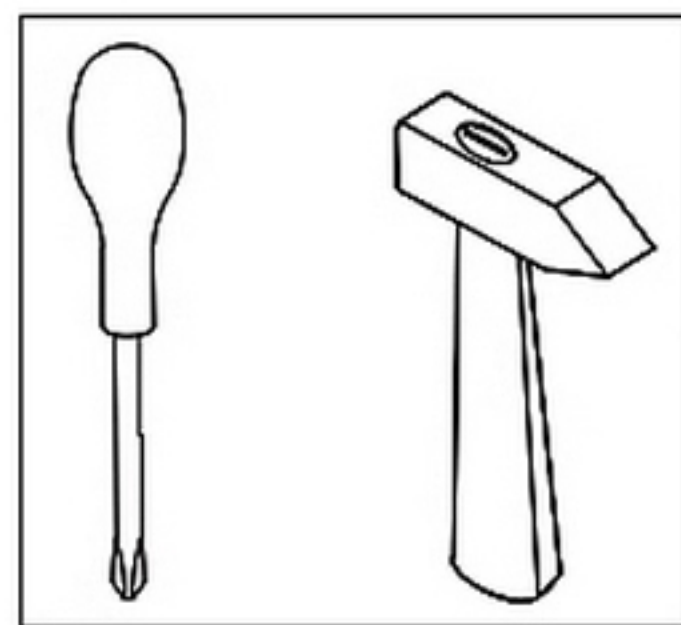
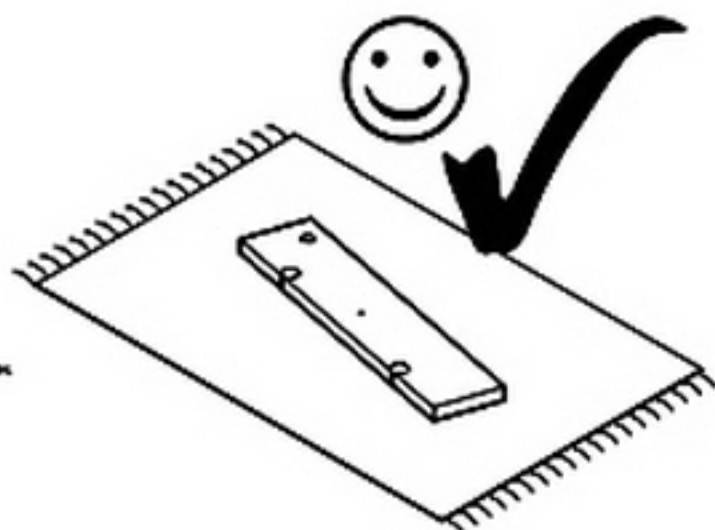
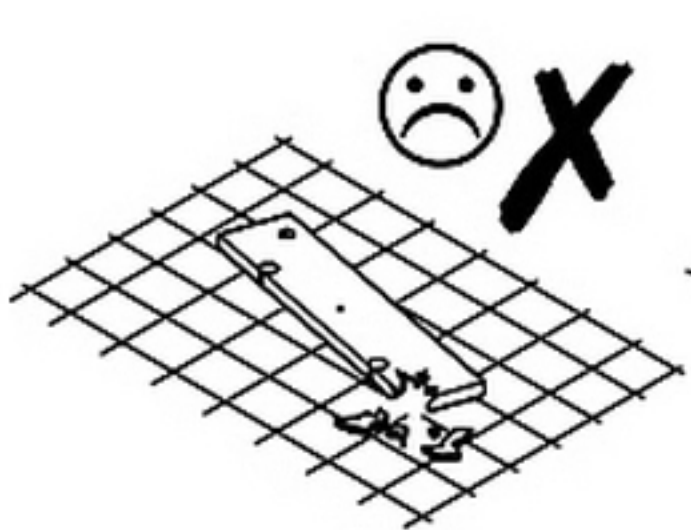
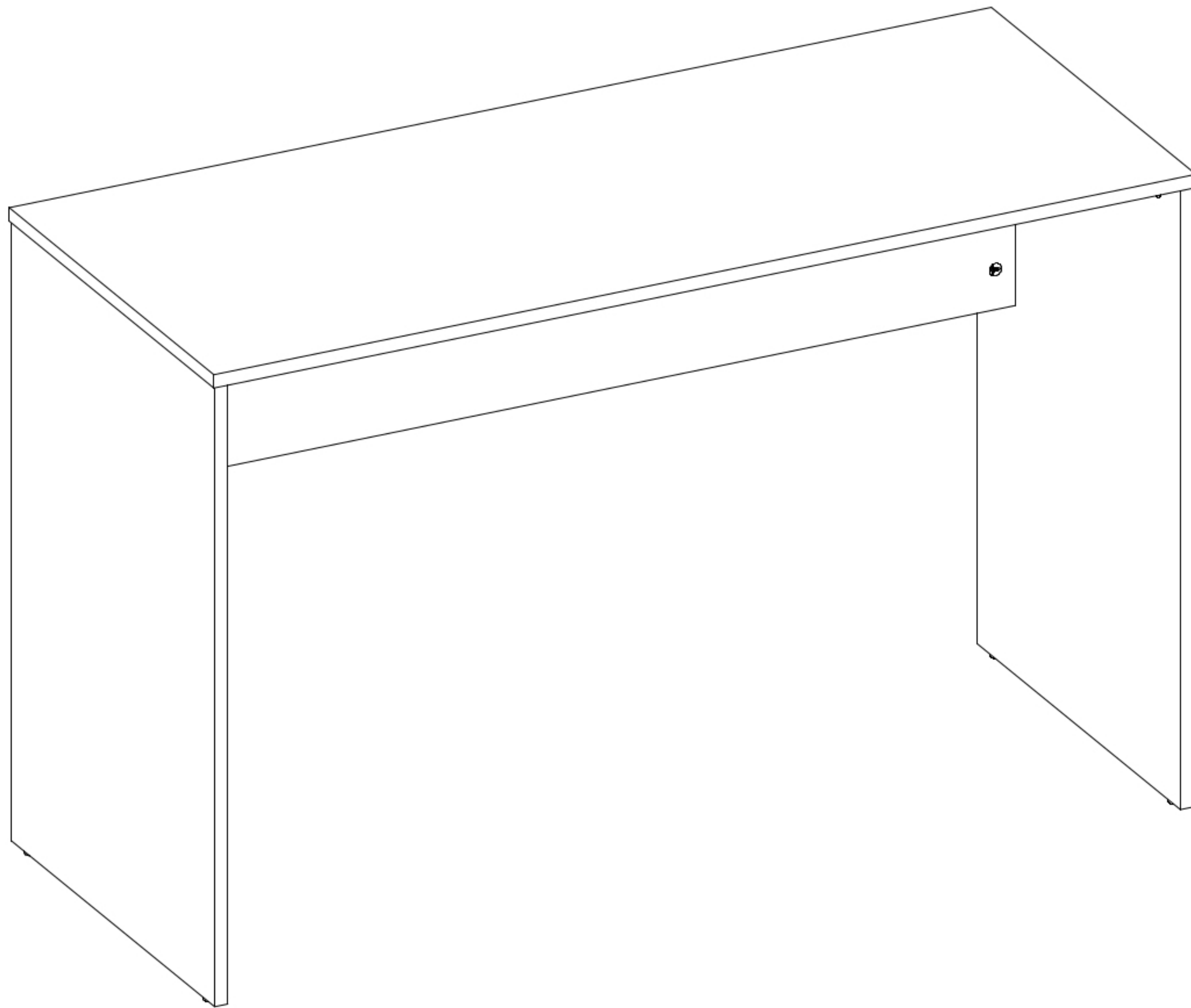
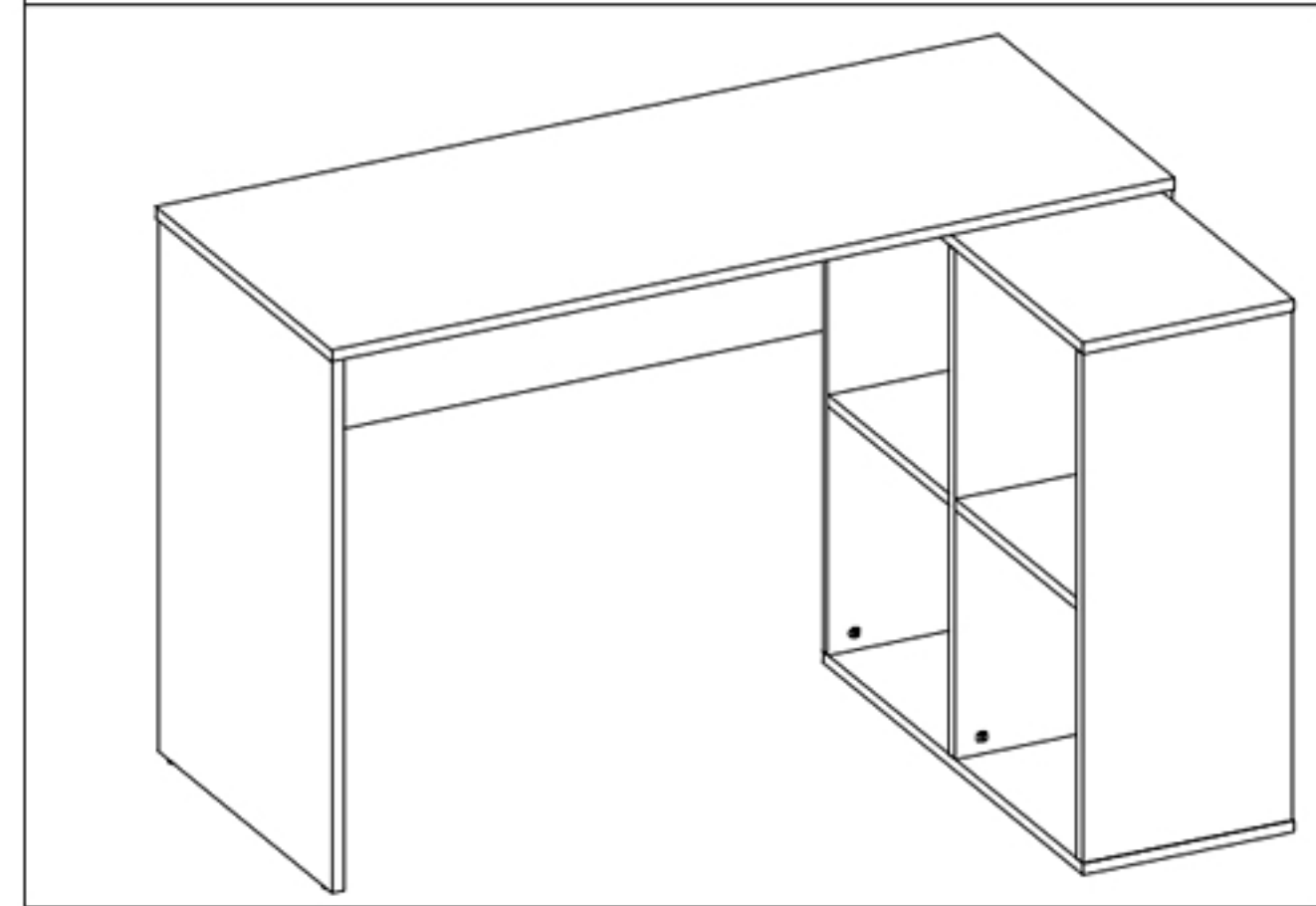
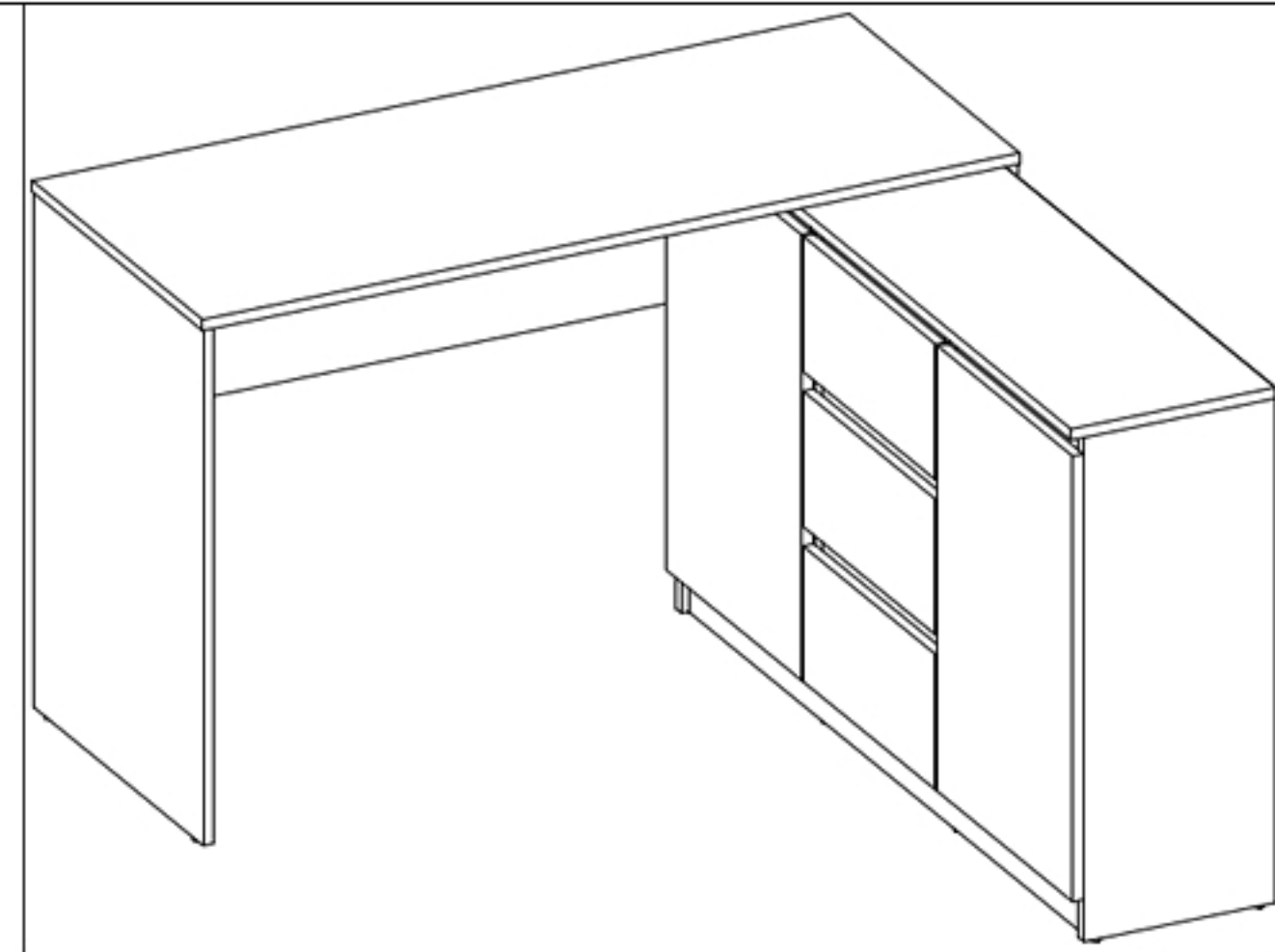
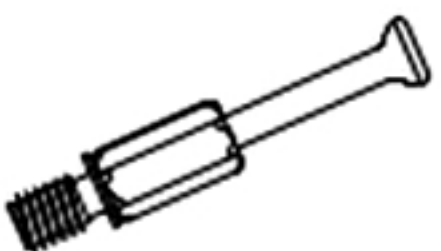




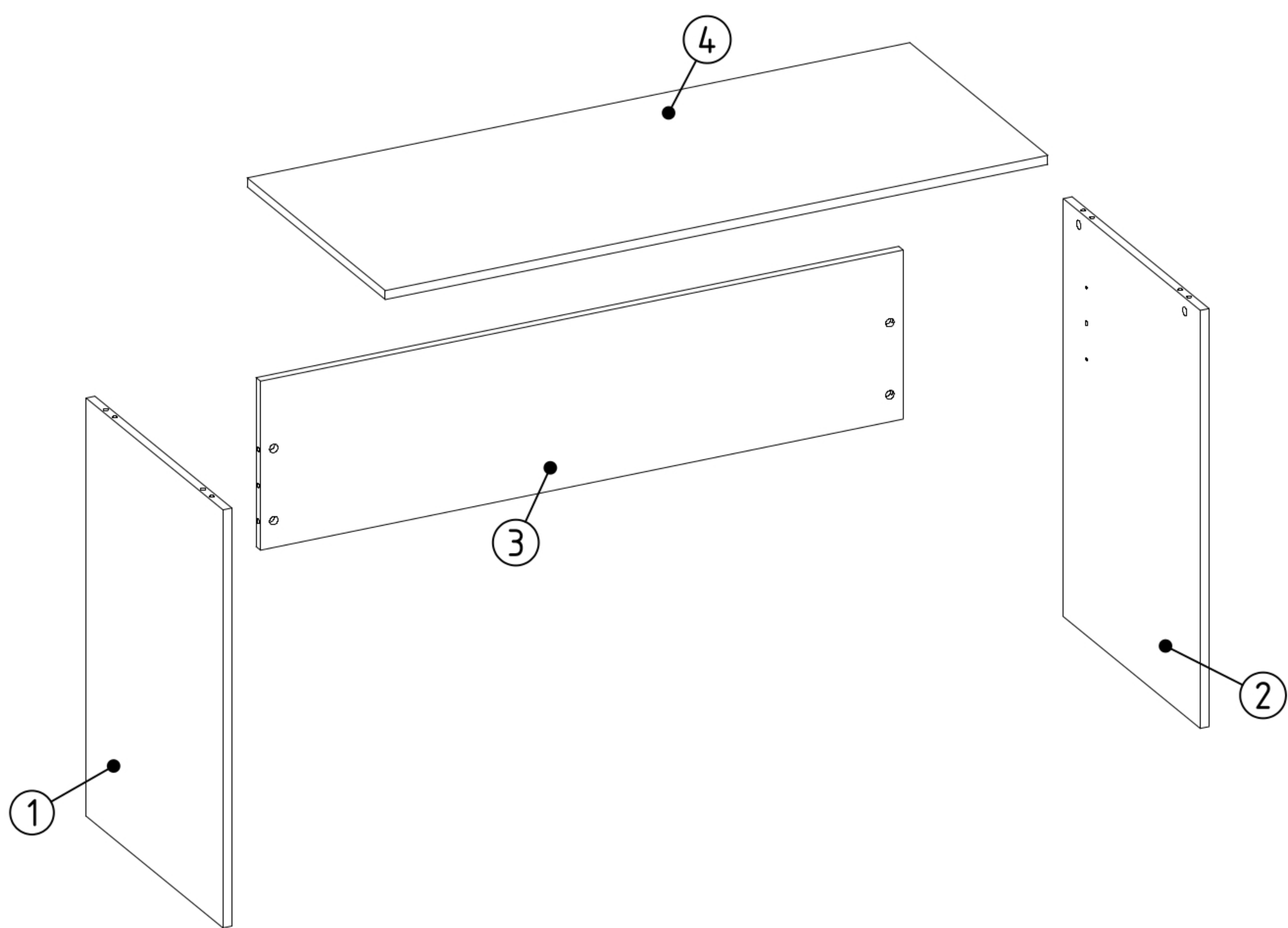


24.03.2020



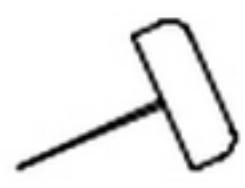

# PLUS

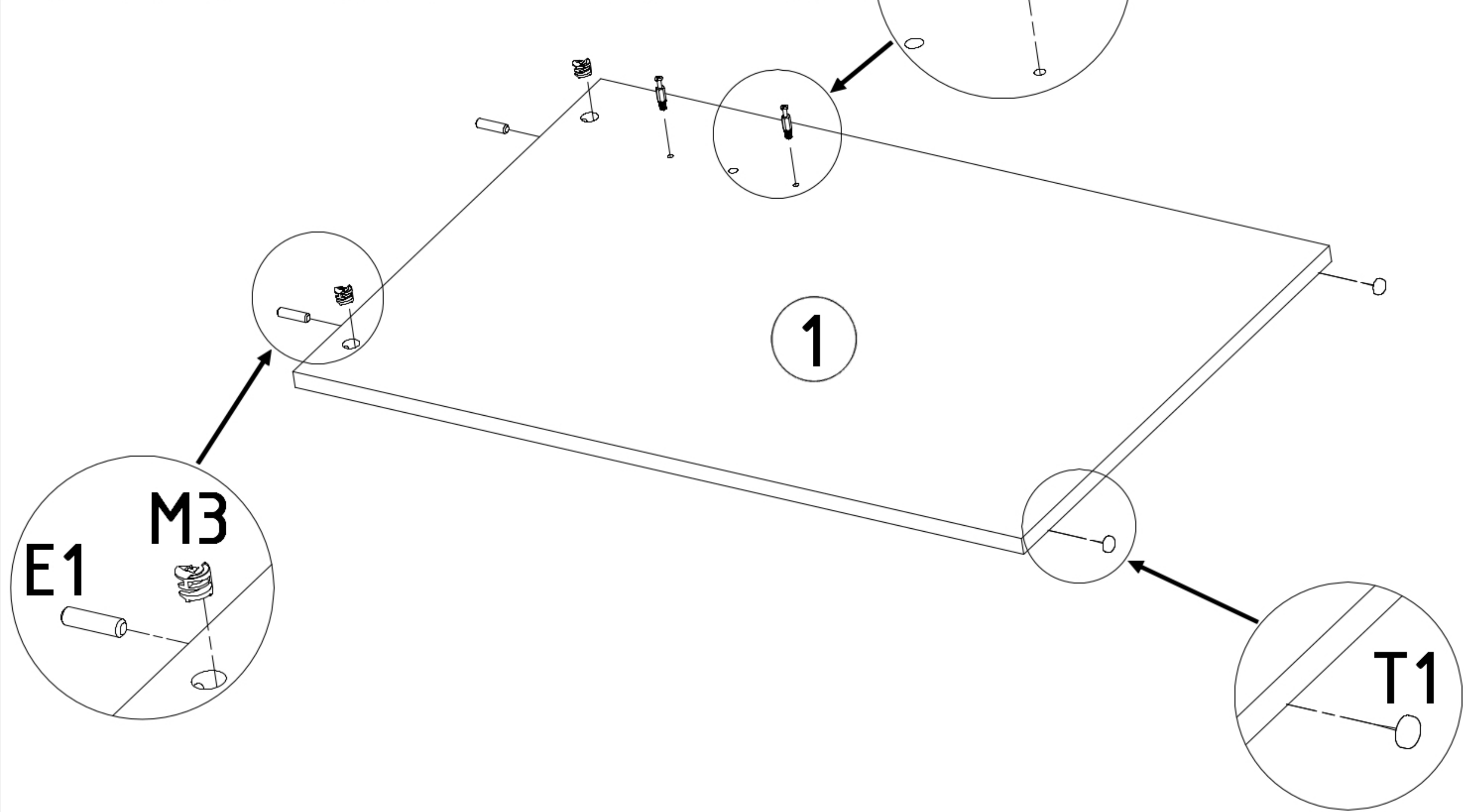






<b>N2</b>  20,3 x 8	<b>E1</b>  8x30 x 6	<b>M3</b>  x 8	<b>M2</b>  x 8	<b>T1</b>  x 4
---	--	---	--	---

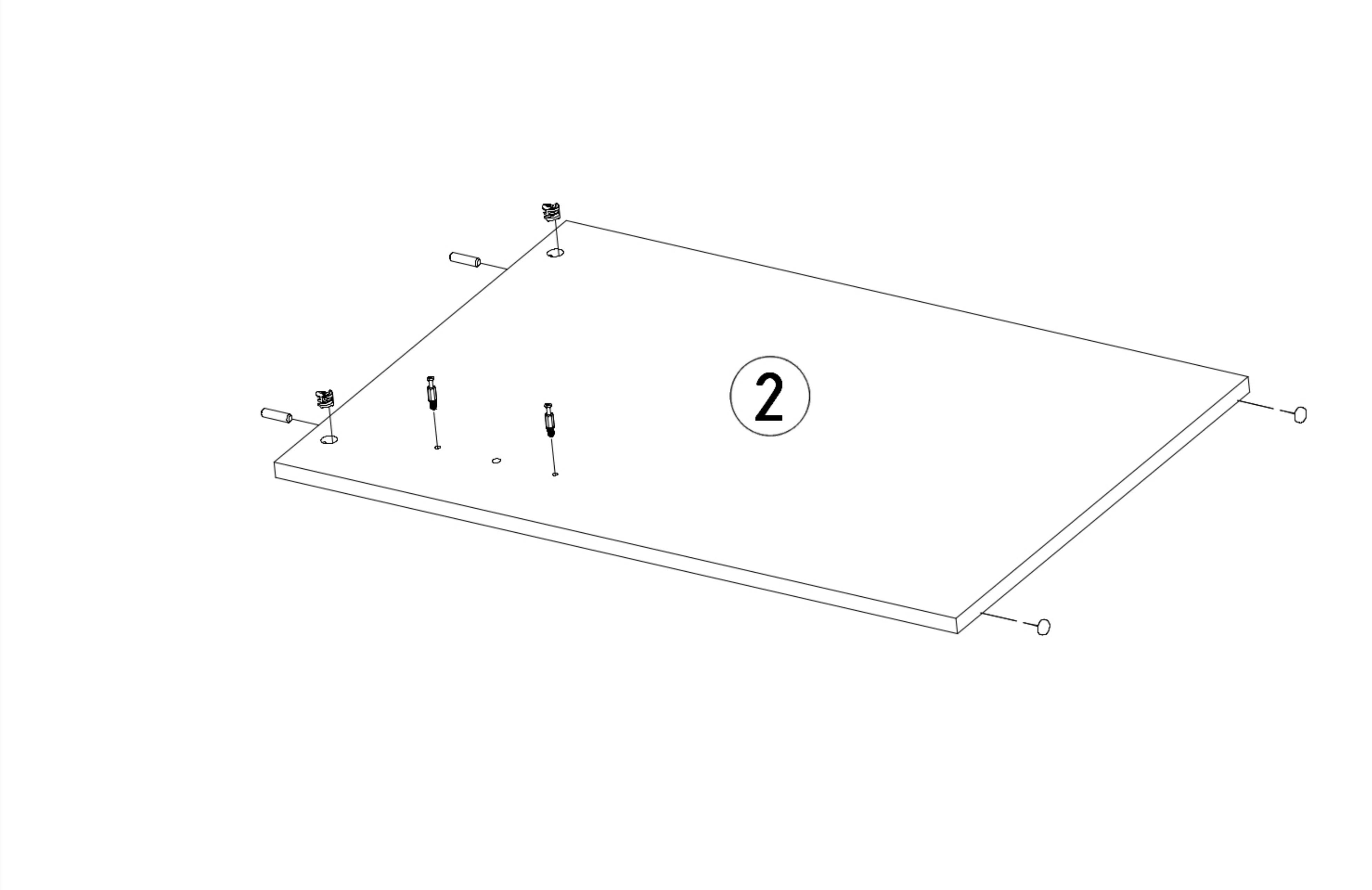




<b>1</b>	<b>x</b>	<b>1</b>
<b>2</b>	<b>x</b>	<b>1</b>
<b>3</b>	<b>x</b>	<b>1</b>
<b>4</b>	<b>x</b>	<b>1</b>

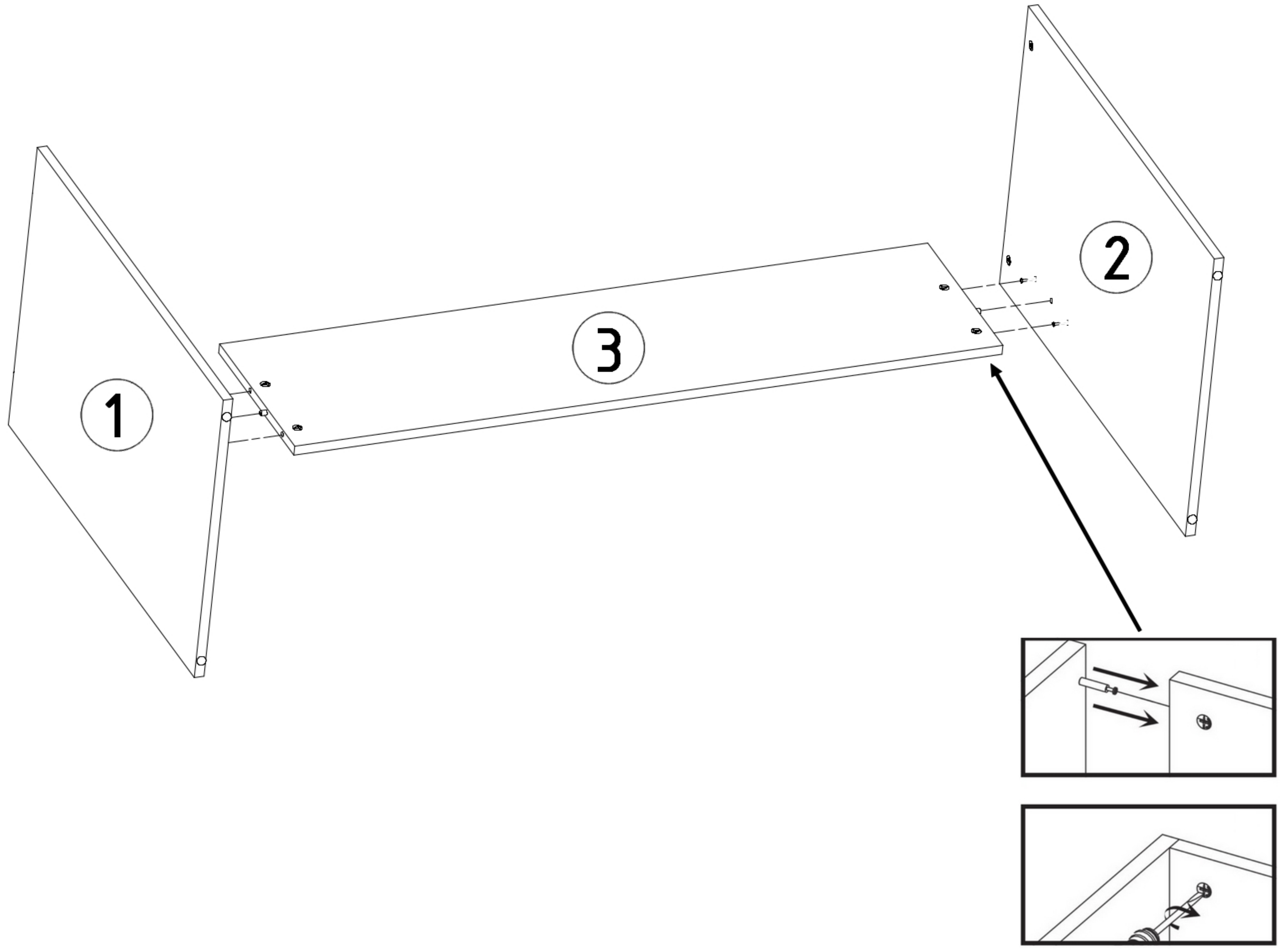
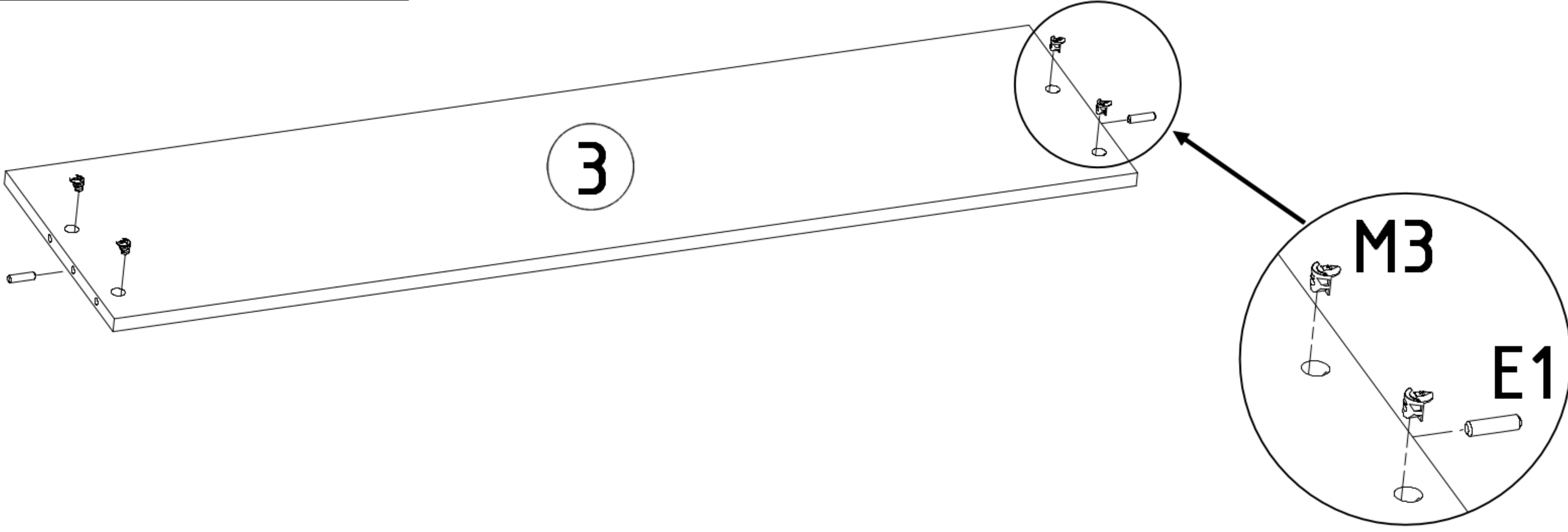
<b>N2</b>  20,3 x 2	<b>E1</b>  8x30 x 2	<b>T1</b>  x 2	<b>M3</b>  x 2
---	--	---	--



<b>N2</b>  20,3 x 2	<b>E1</b>  8x30 x 2	<b>T1</b>  x 2	<b>M3</b>  x 2
---	--	---	--



<b>E1</b>  8x30	<b>M3</b>  x 4
---	---





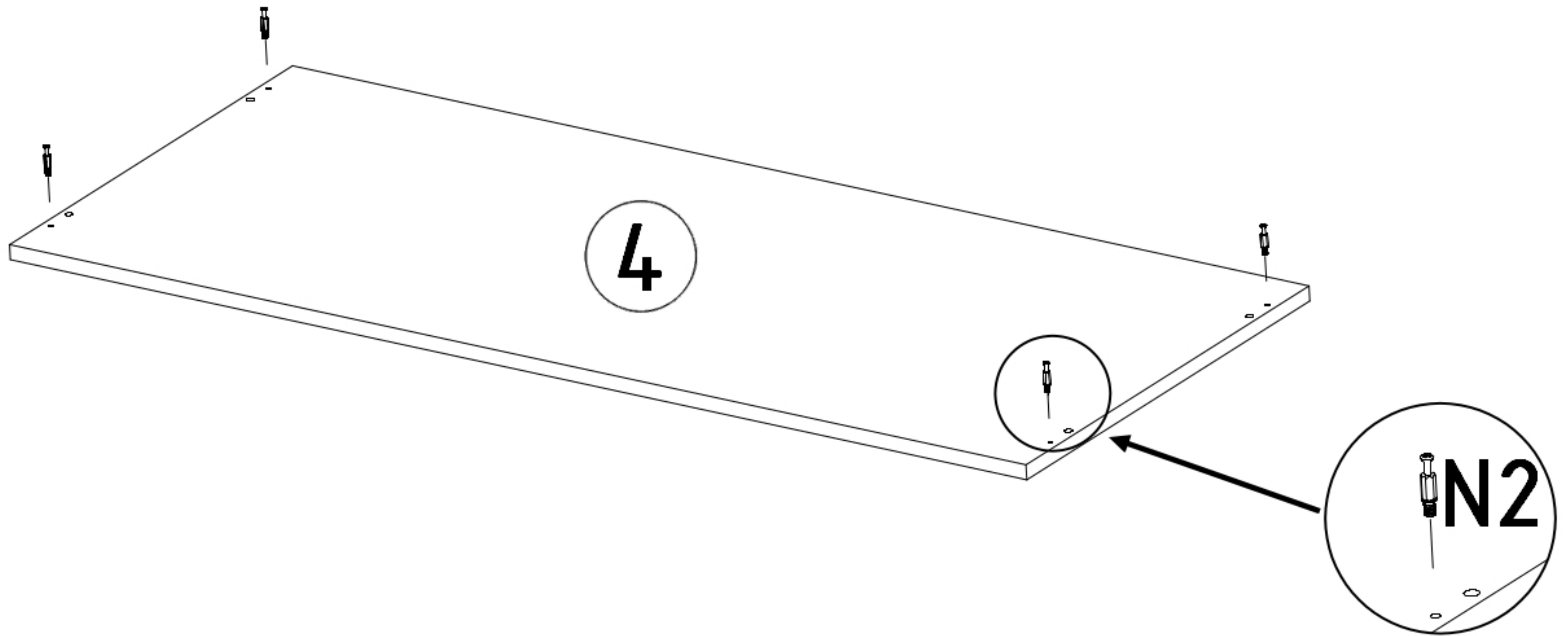
4

N2



20,3

x 4



M2



x 8

M3

M2

