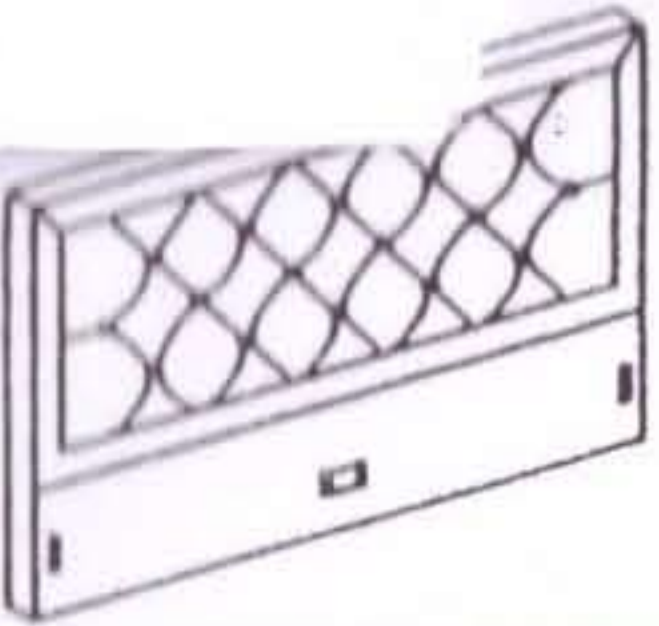
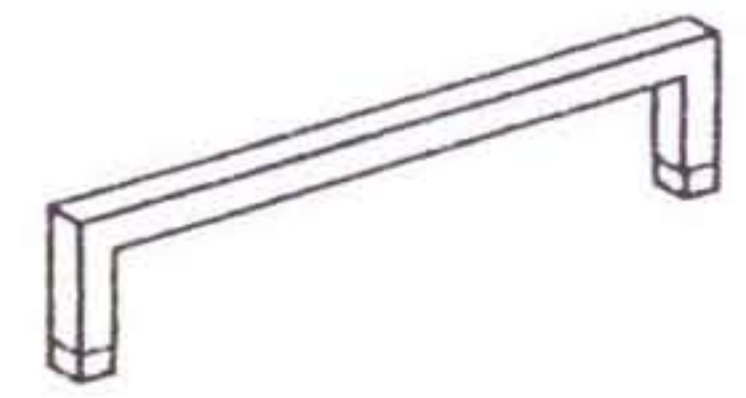


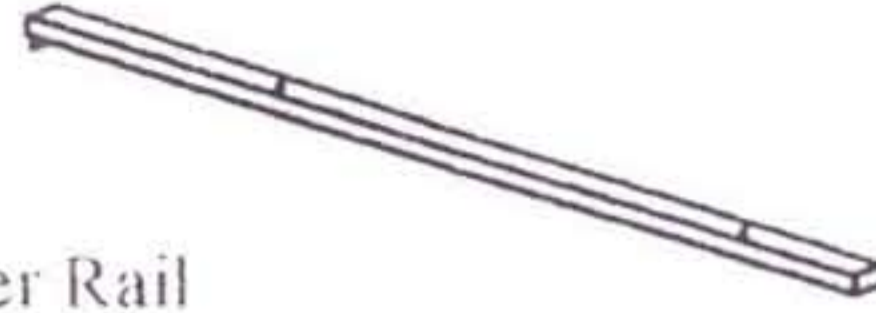

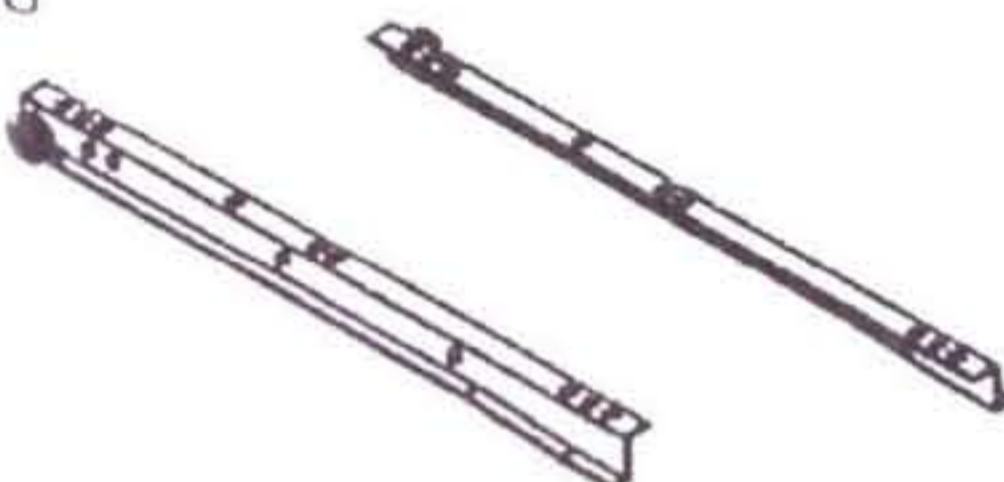

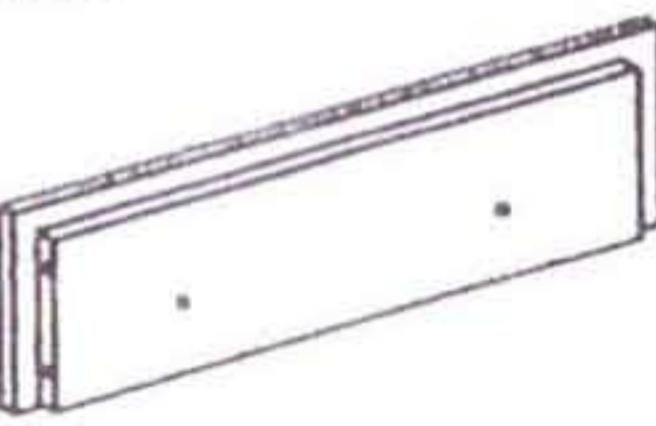
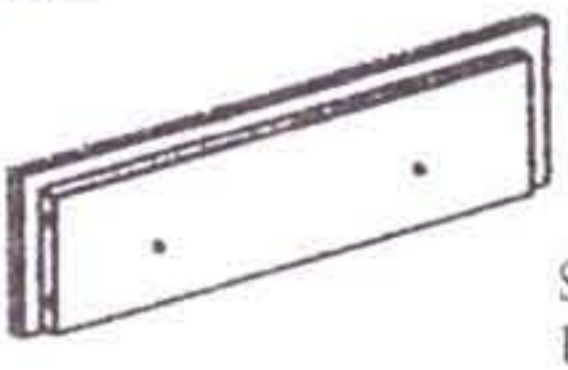
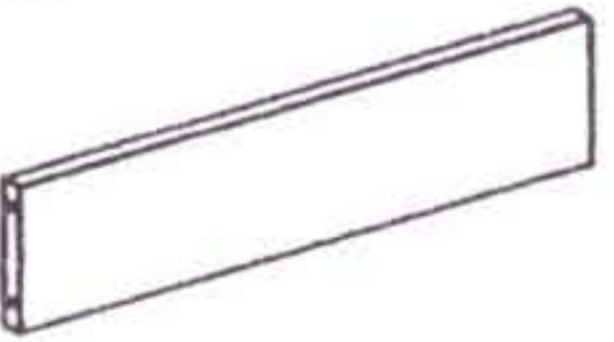

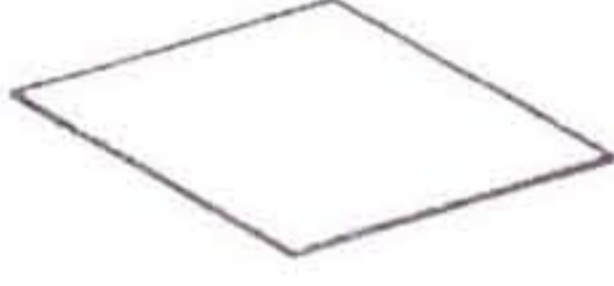
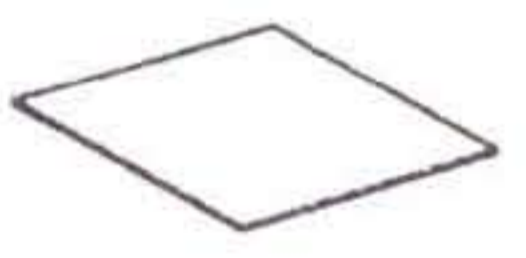
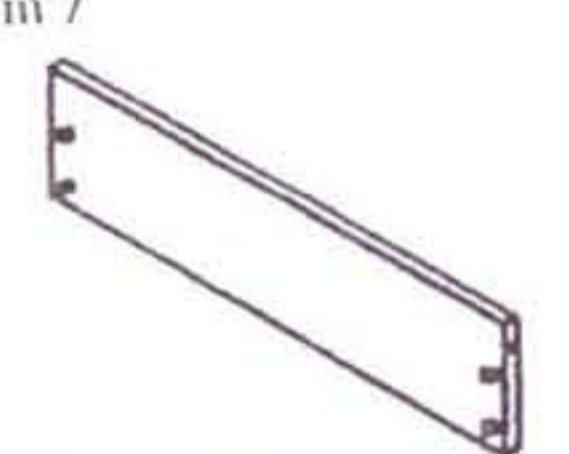
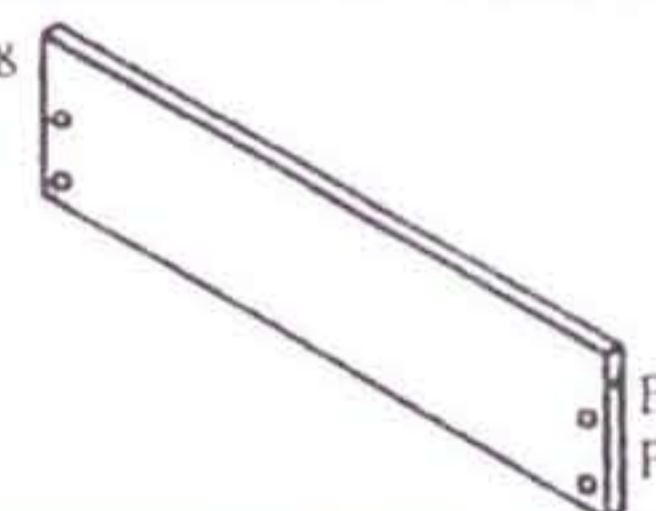

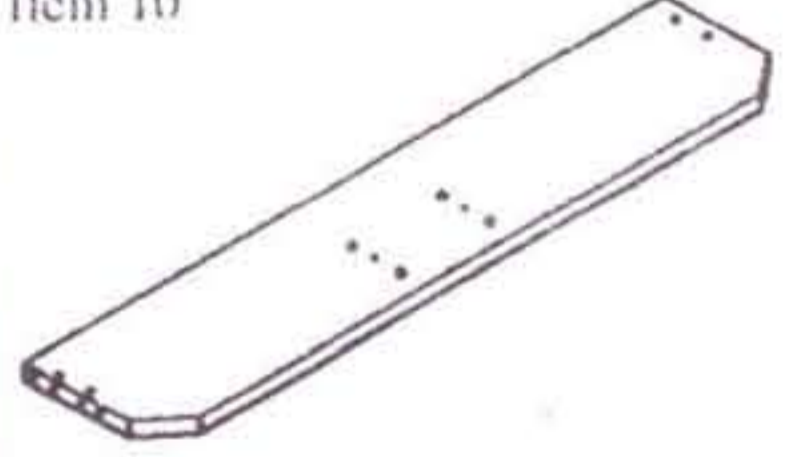
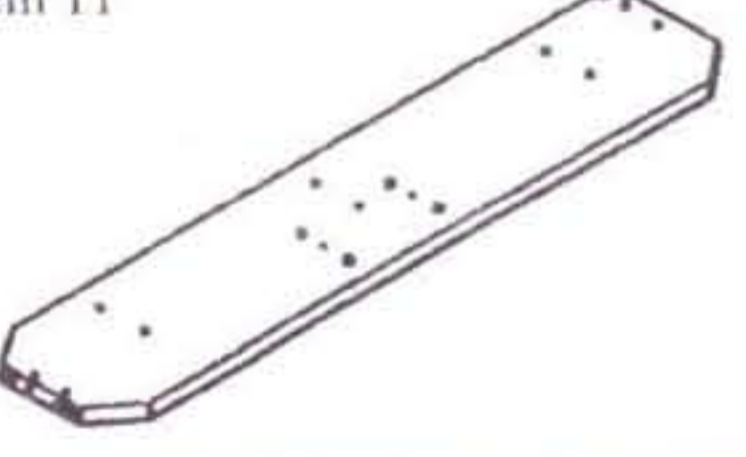


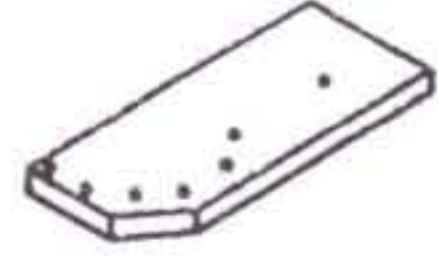
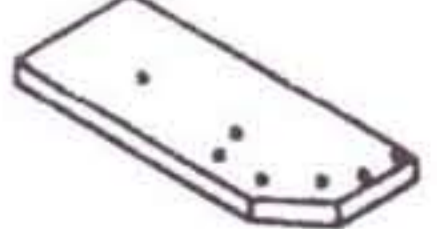

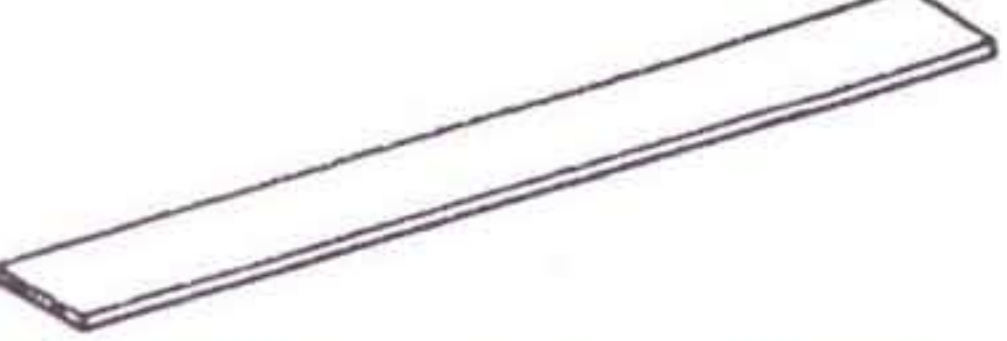


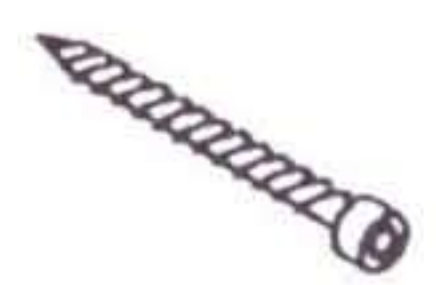
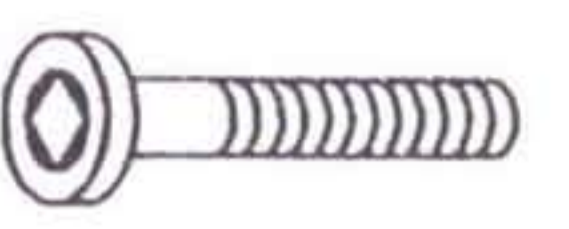

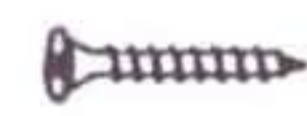
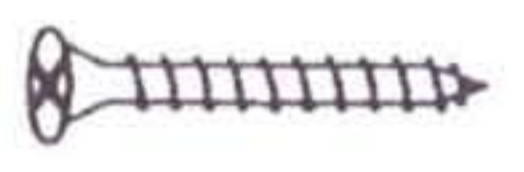
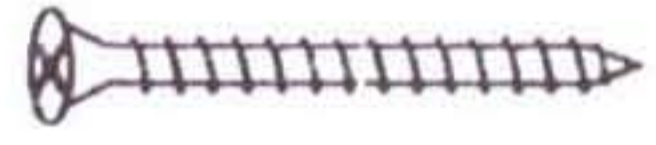
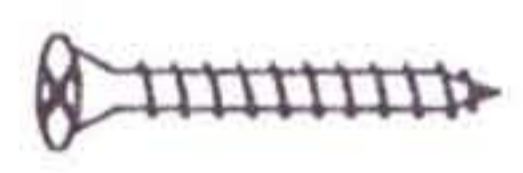





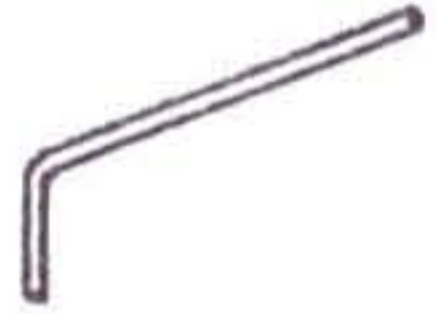
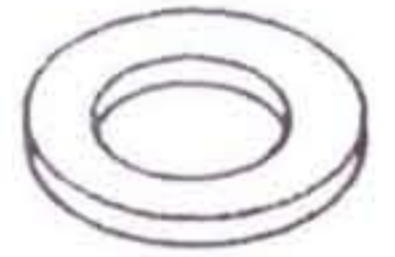
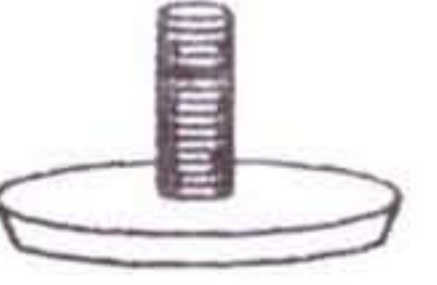
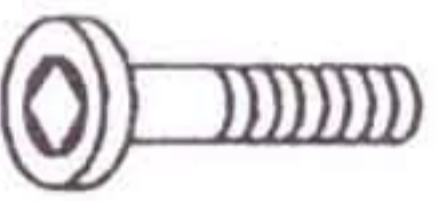


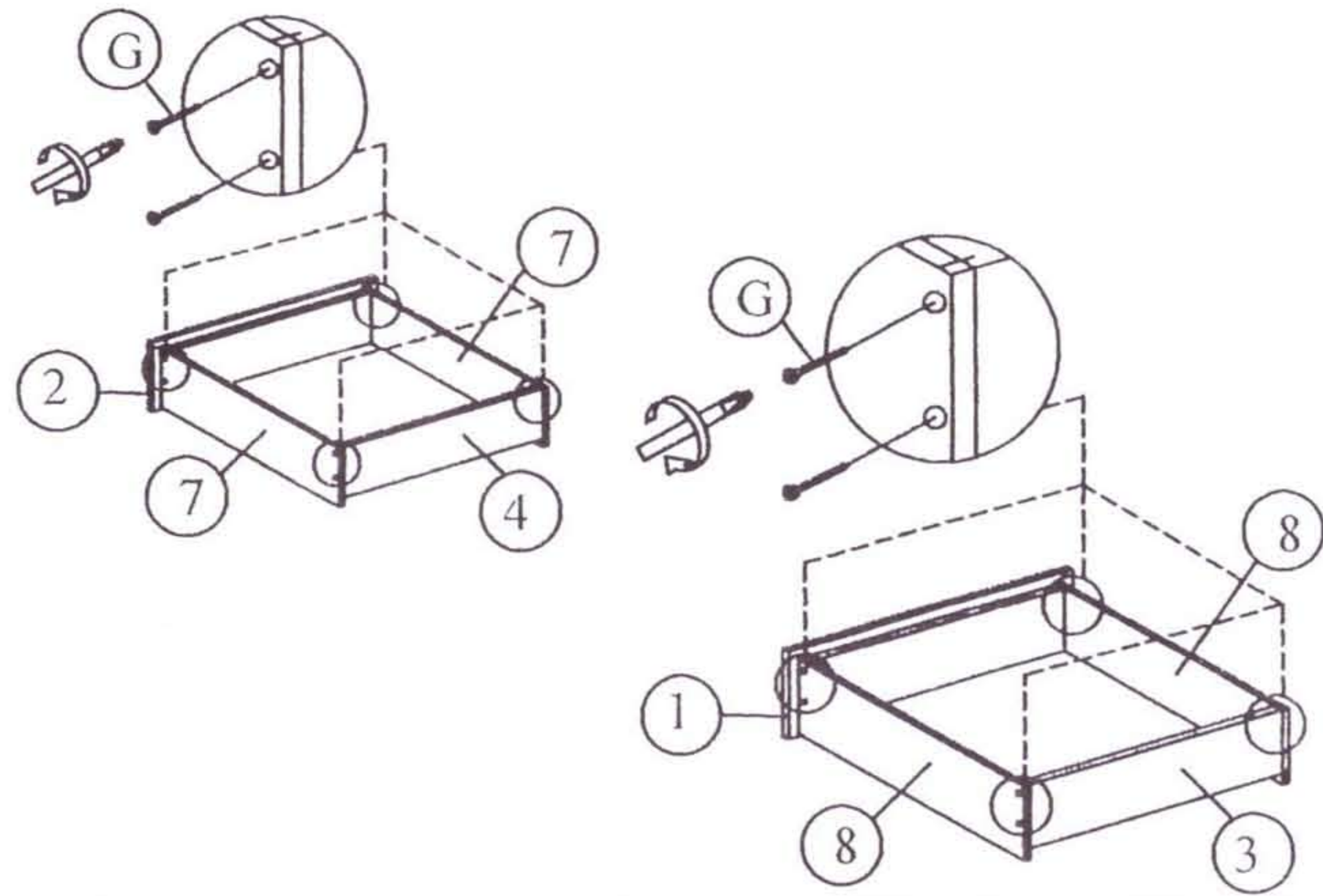
"&5'6")

# Assembly Instruction

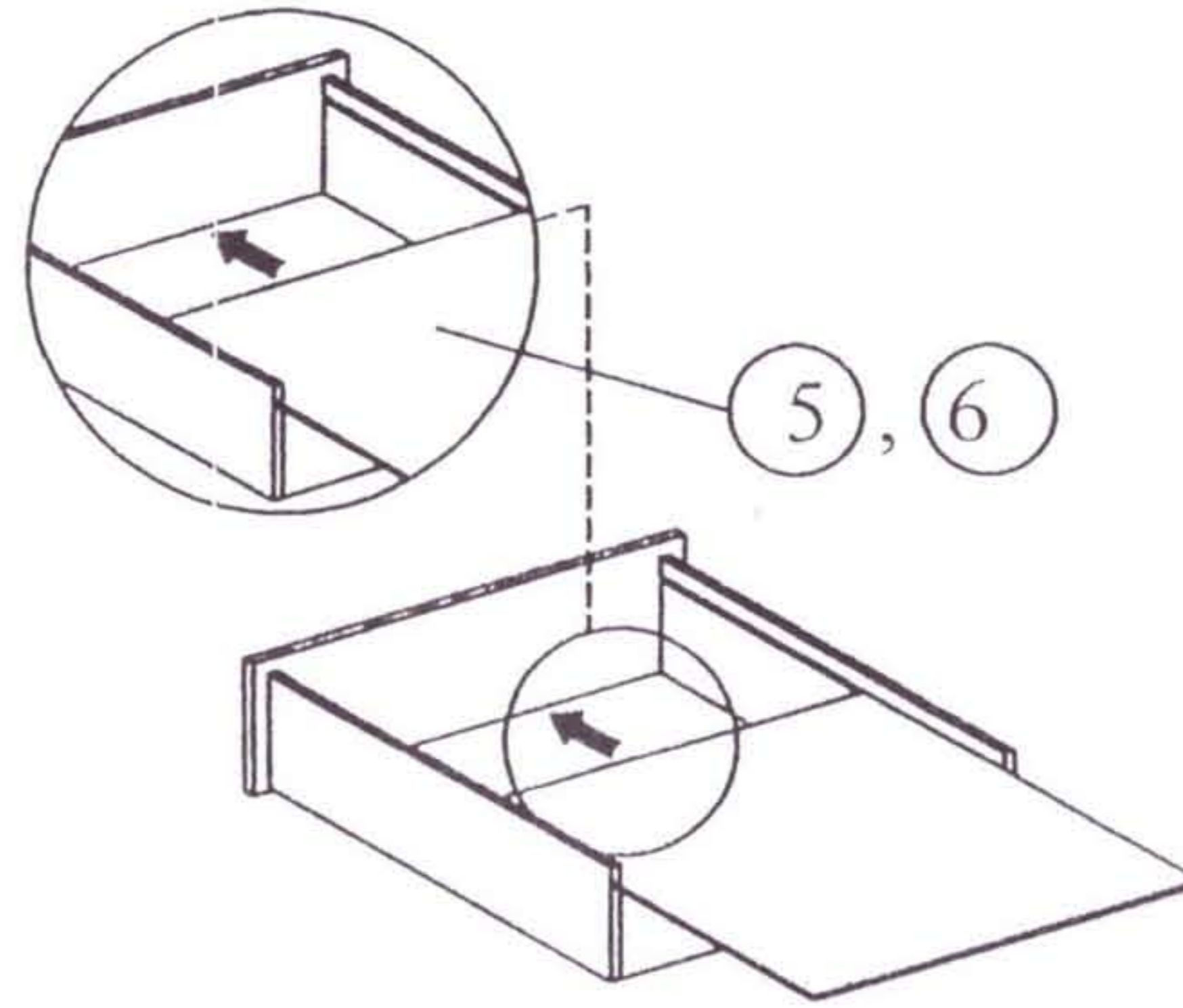
 Headboard 1 pc	 Item AB 1 pc	 Item AC 2 pcs
 14 Slats 1 pc	 Center Rail 1 pc	 Support leg 2 pcs
 Drawer Slide 500 8 pcs	 Drawer Slide 500 8 pcs	
 Big Drawer Front Panel 2 pcs	 Small Drawer Front Panel 2 pcs	 Big Drawer Back Panel 2 pcs
 Small Drawer Back Panel 2 pcs	 Big Drawer Bottom Panel 2 pcs	 Small Drawer Bottom Panel 2 pcs
 Small Drawer Side Panel 4 pcs	 Big Drawer Side Panel 4 pcs	
 8 pcs	 Item 10 1 pc	 Item 11 1 pc
 Item 12 2 pcs	 Item 13 2 pcs	 Item 14 1 pc
 Item 15 1 pc	 Item 16 1 pc	
 Item 17 1 pc	 Item 18 1 pc	

 Plastic Dowel ( 8 x 25 ) 31 pcs	 JCBC W M6 x 40 17 pcs	 JCBC M6 x 40 2 pcs
 JCBC M6 x 60 2 pcs	 CSK M3.5 x 16 mm 48 pcs	 CSK M4 x 32 mm 46 pcs
 CSK M4 x 50mm 32 pcs	 CSK M4 x 25 mm 1 pc	 Mini Fix Bolt 10 pcs
 Mini Fix Housing 10 pcs	 Mini Fix Cap 10 pcs	 Power Nail 1/8 52 pcs
 White Nail Leg 16 pcs	 Allen Key 65 mm 1 pc	 M6 Flat Washer 10 pcs
 Adjuster 2 pcs	 JCBC M6 x 30 8 pcs	

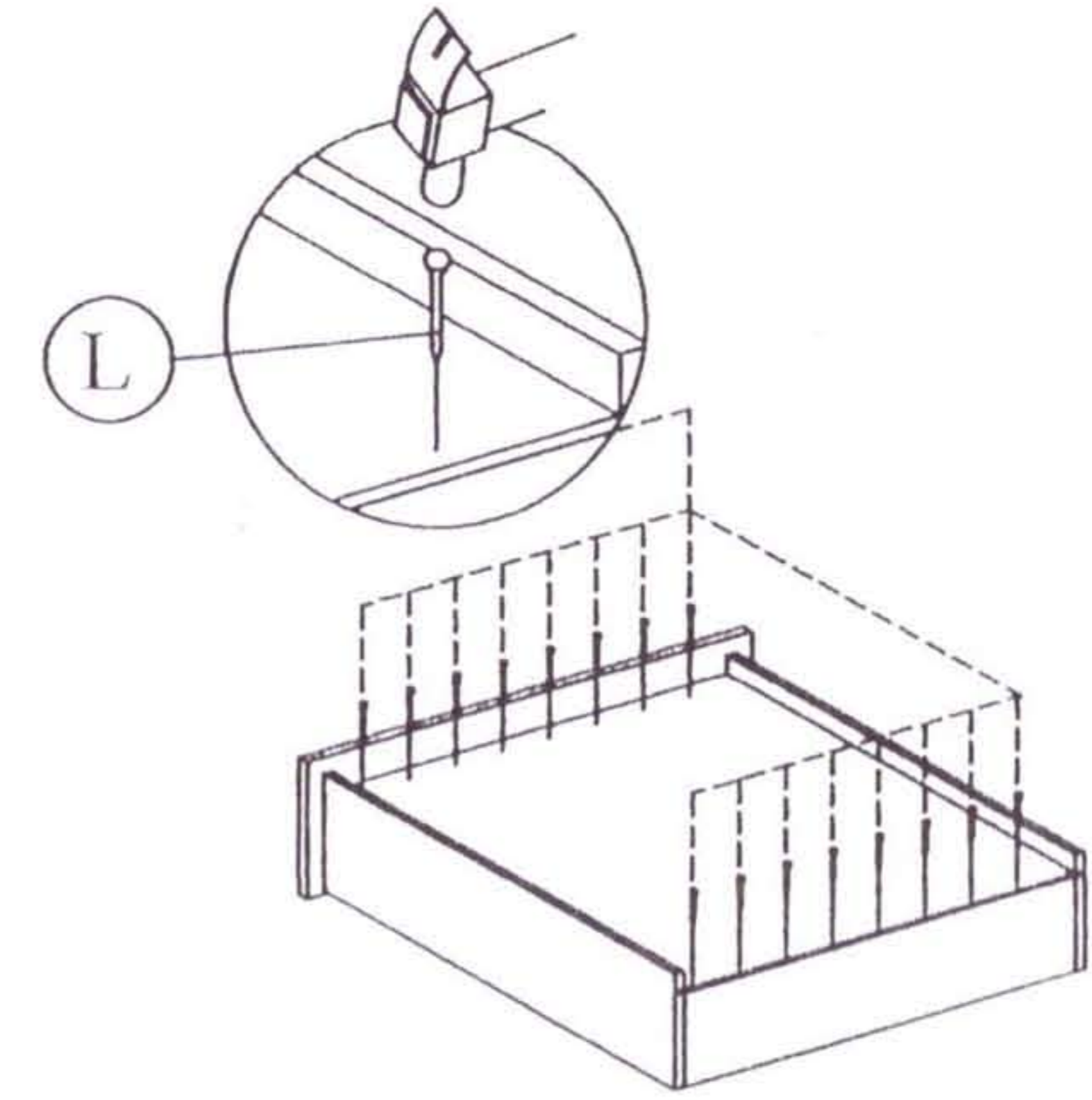
Step 1 The way to assemble the big drawer and small drawer is the same !! Step 1 until Step 5 !!



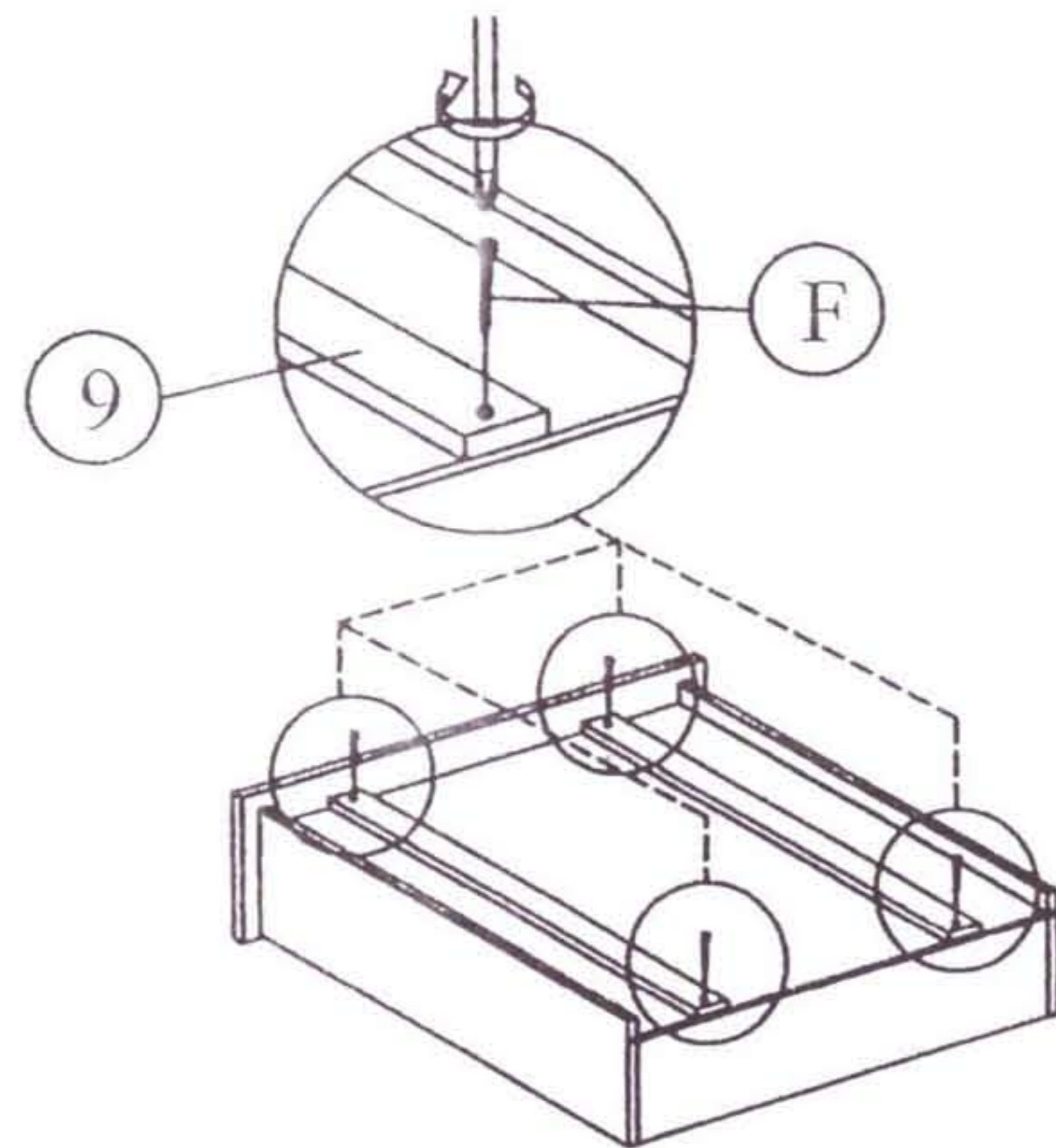
Step 2



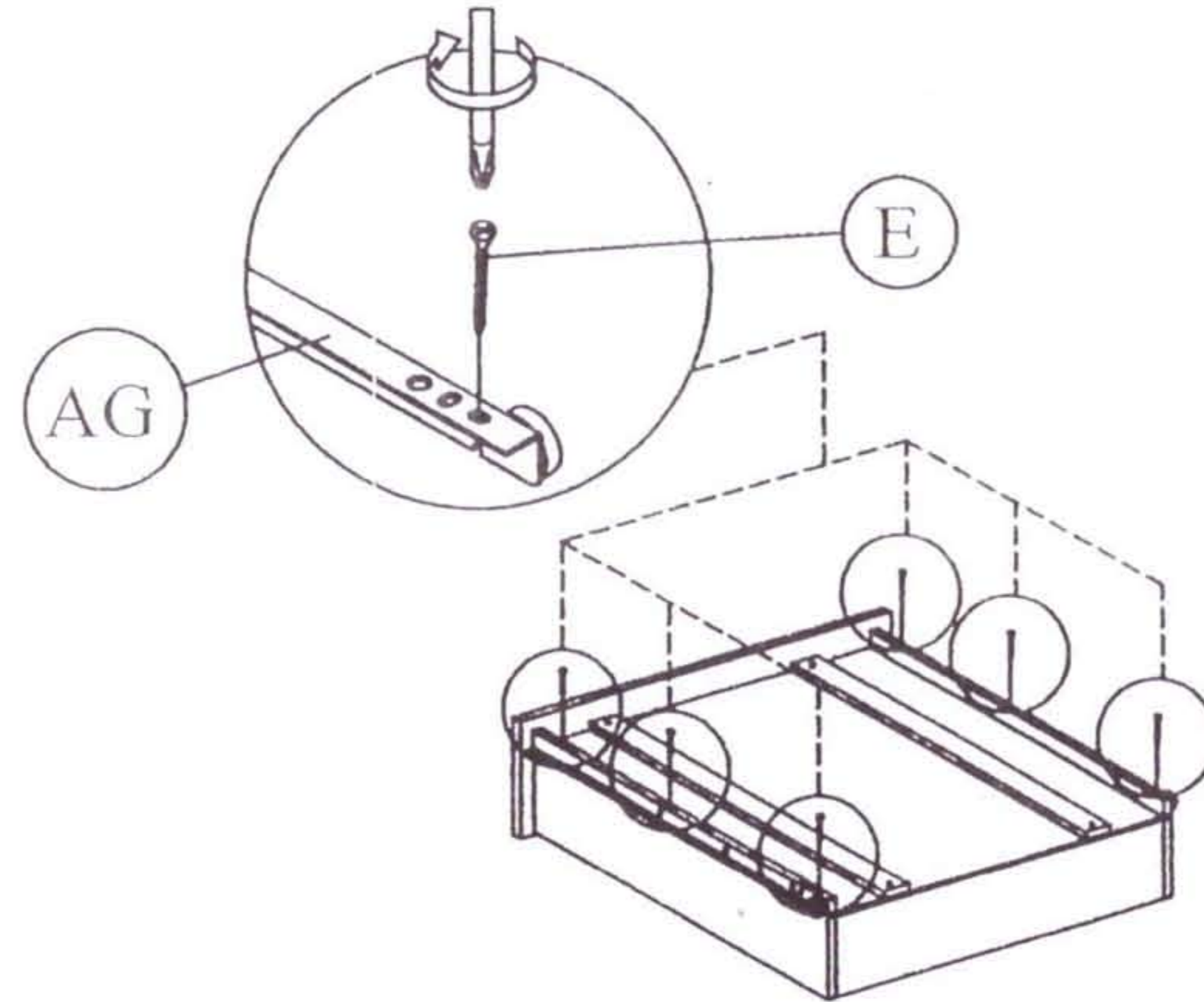
Step 3



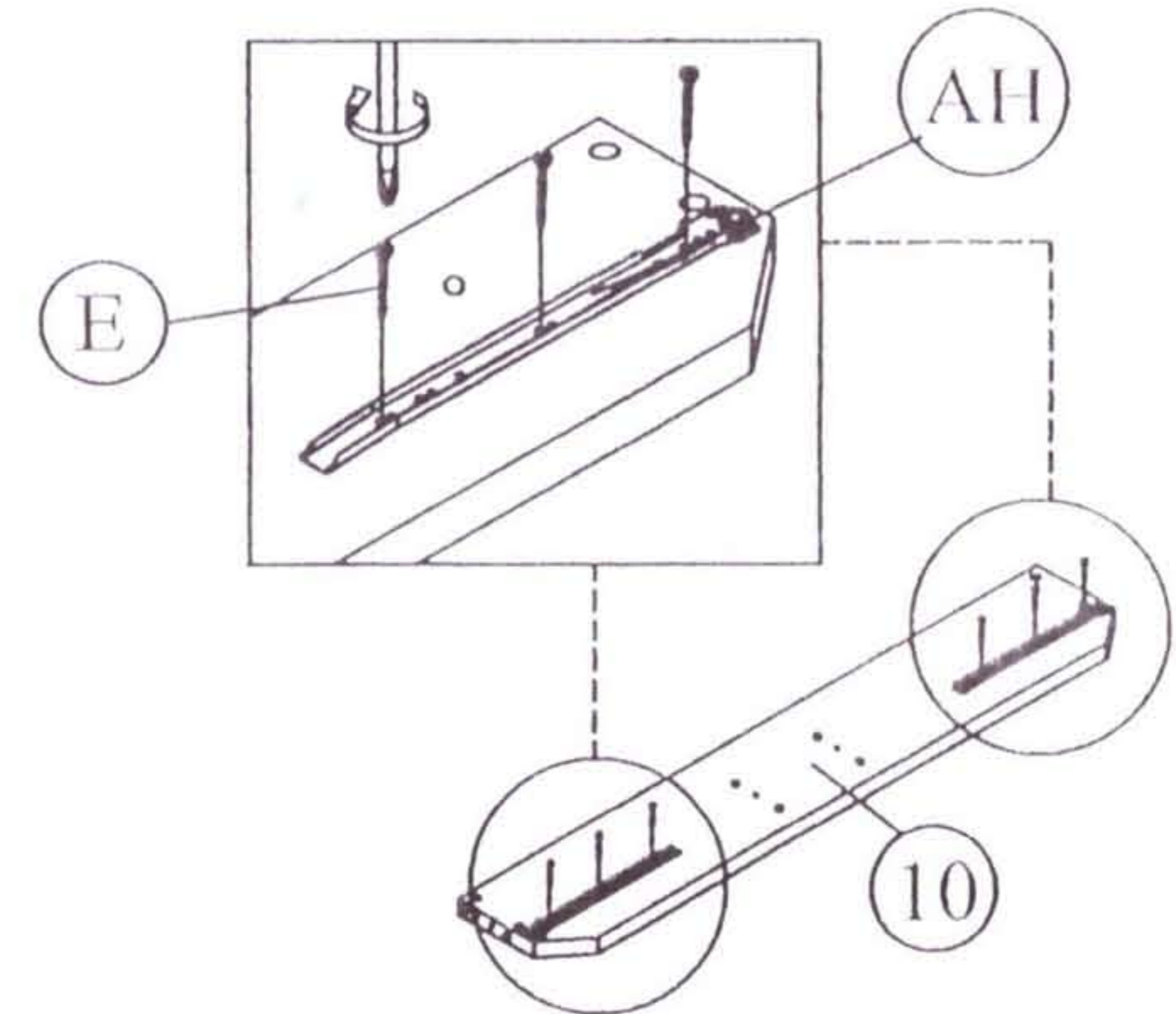
Step 4



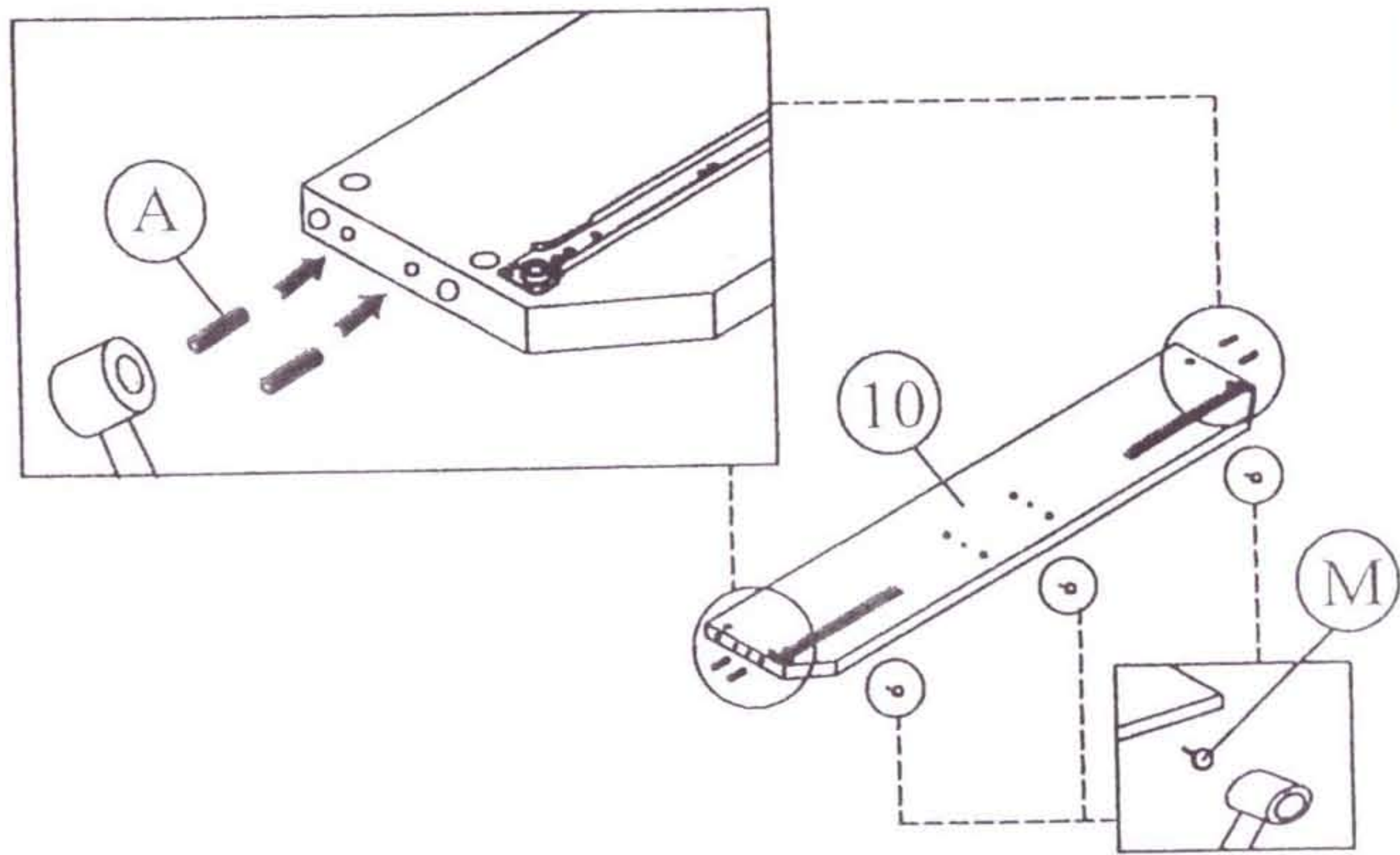
Step 5



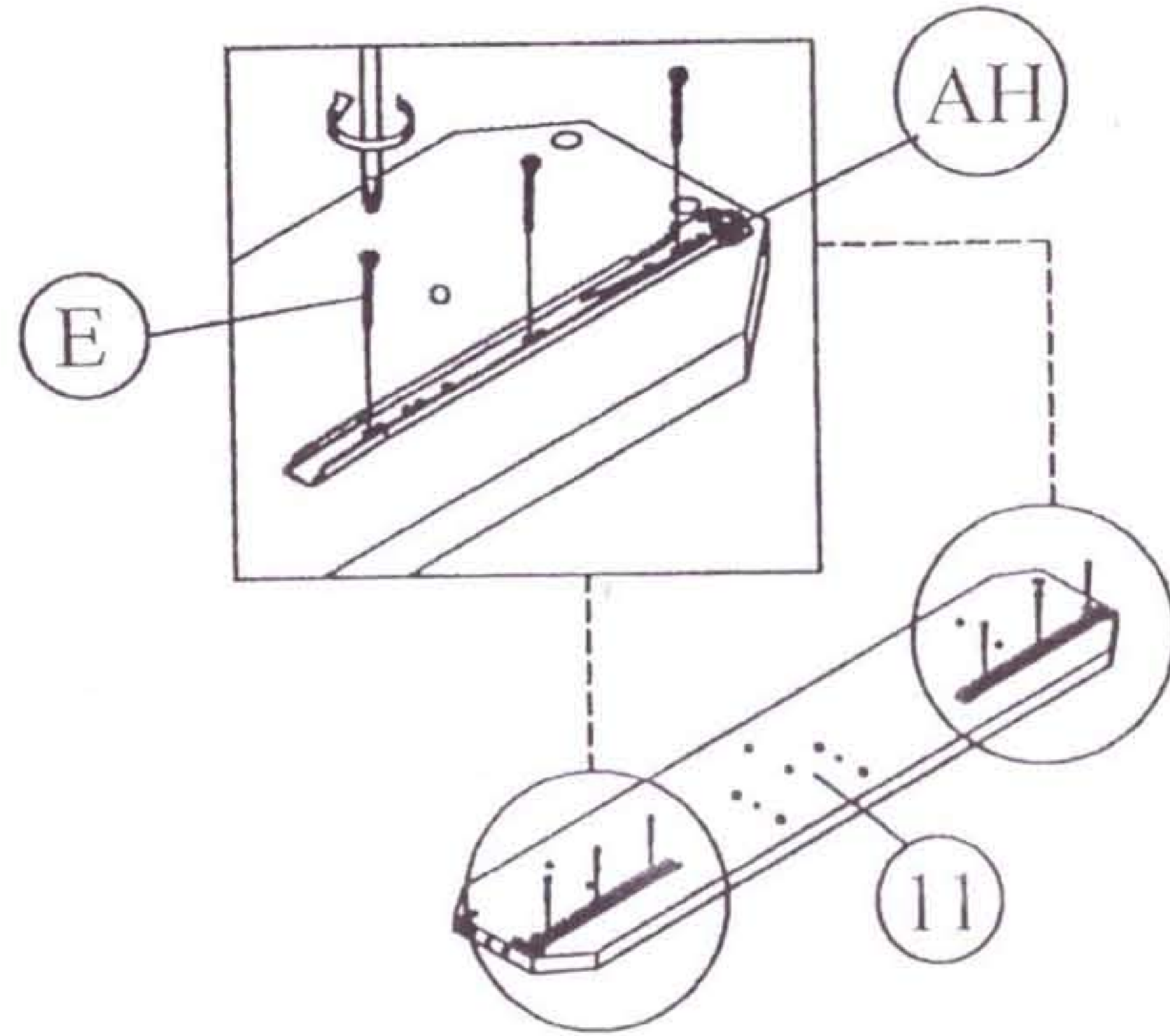
Step 6



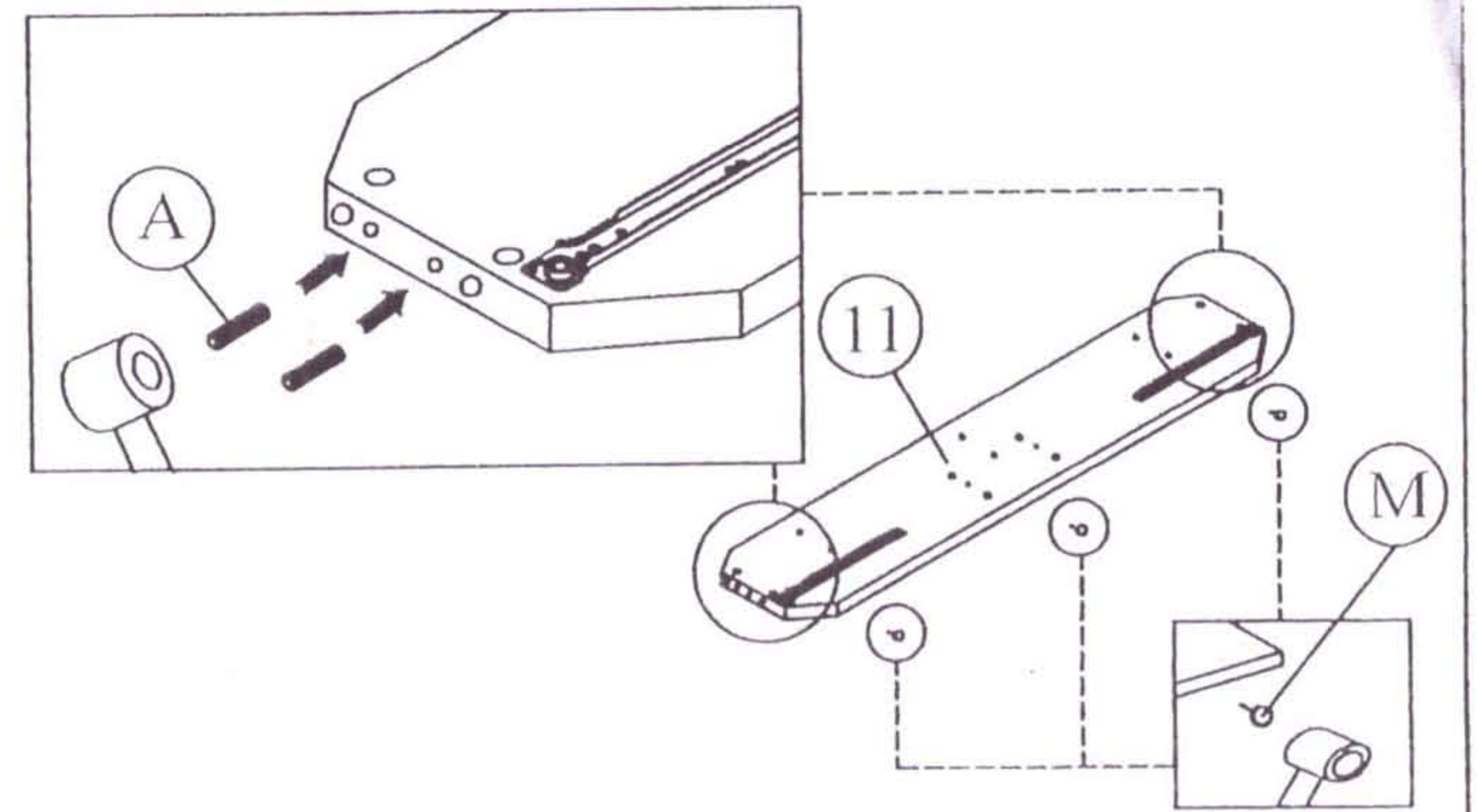
Step 7



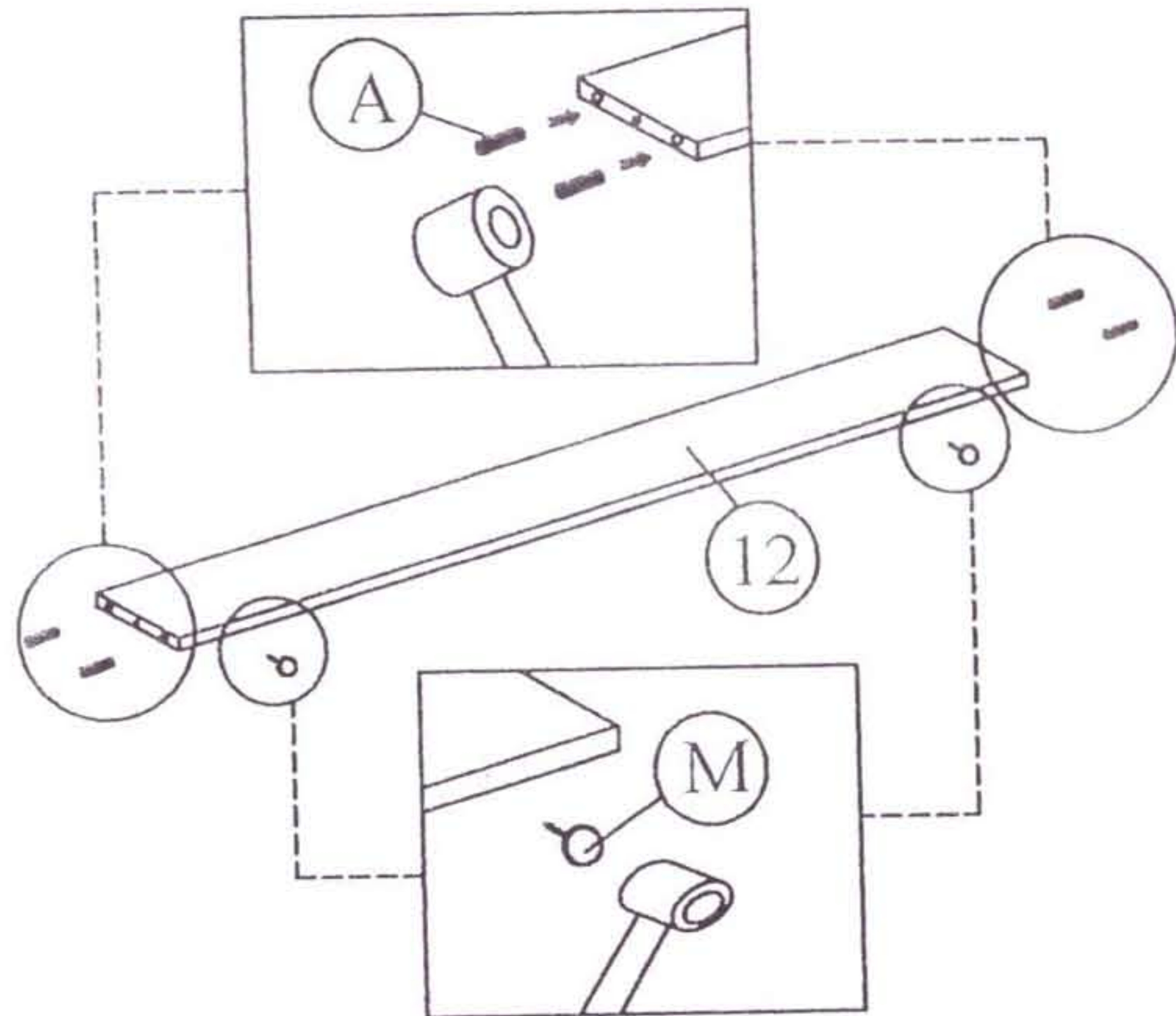
Step 8



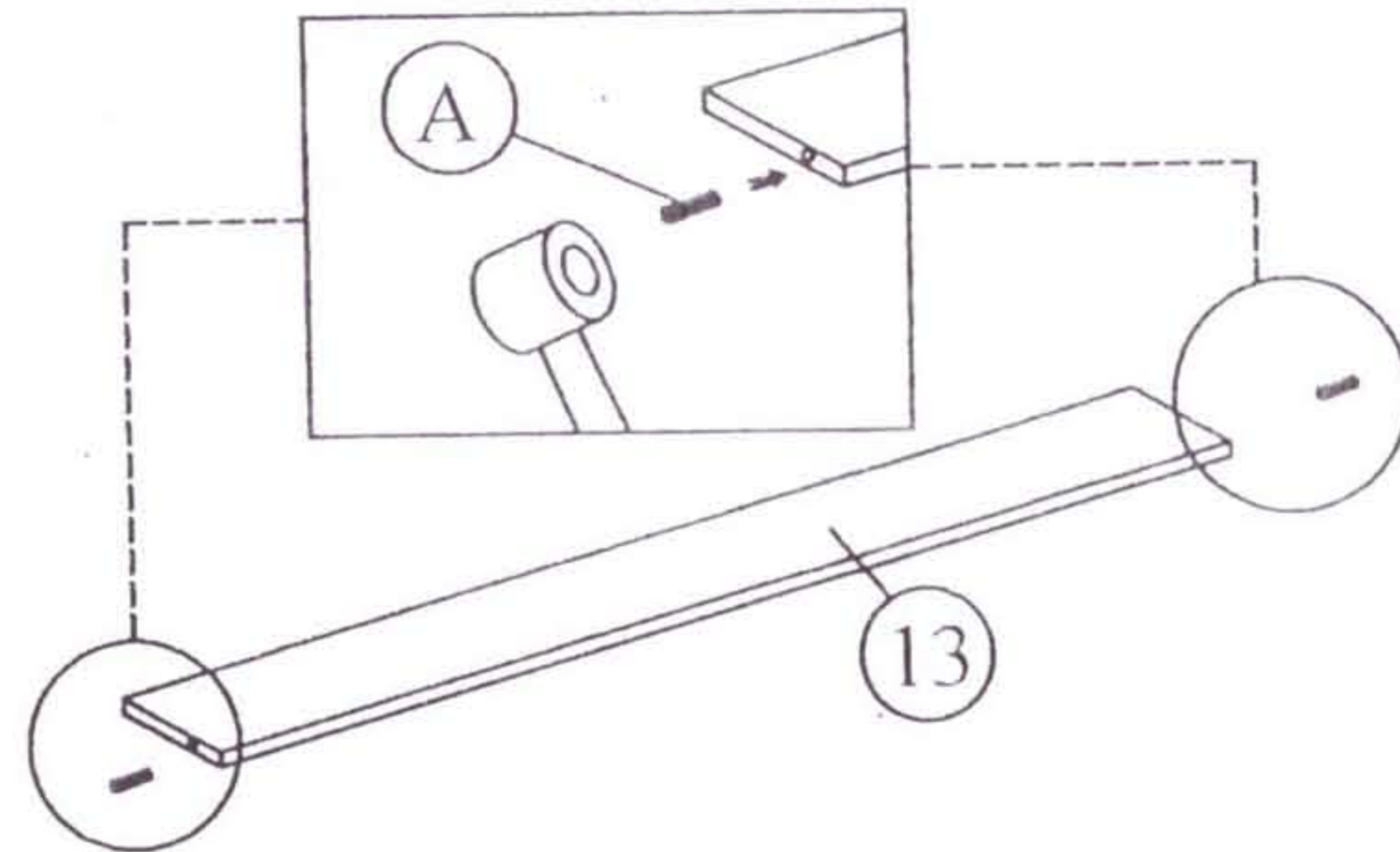
Step 9



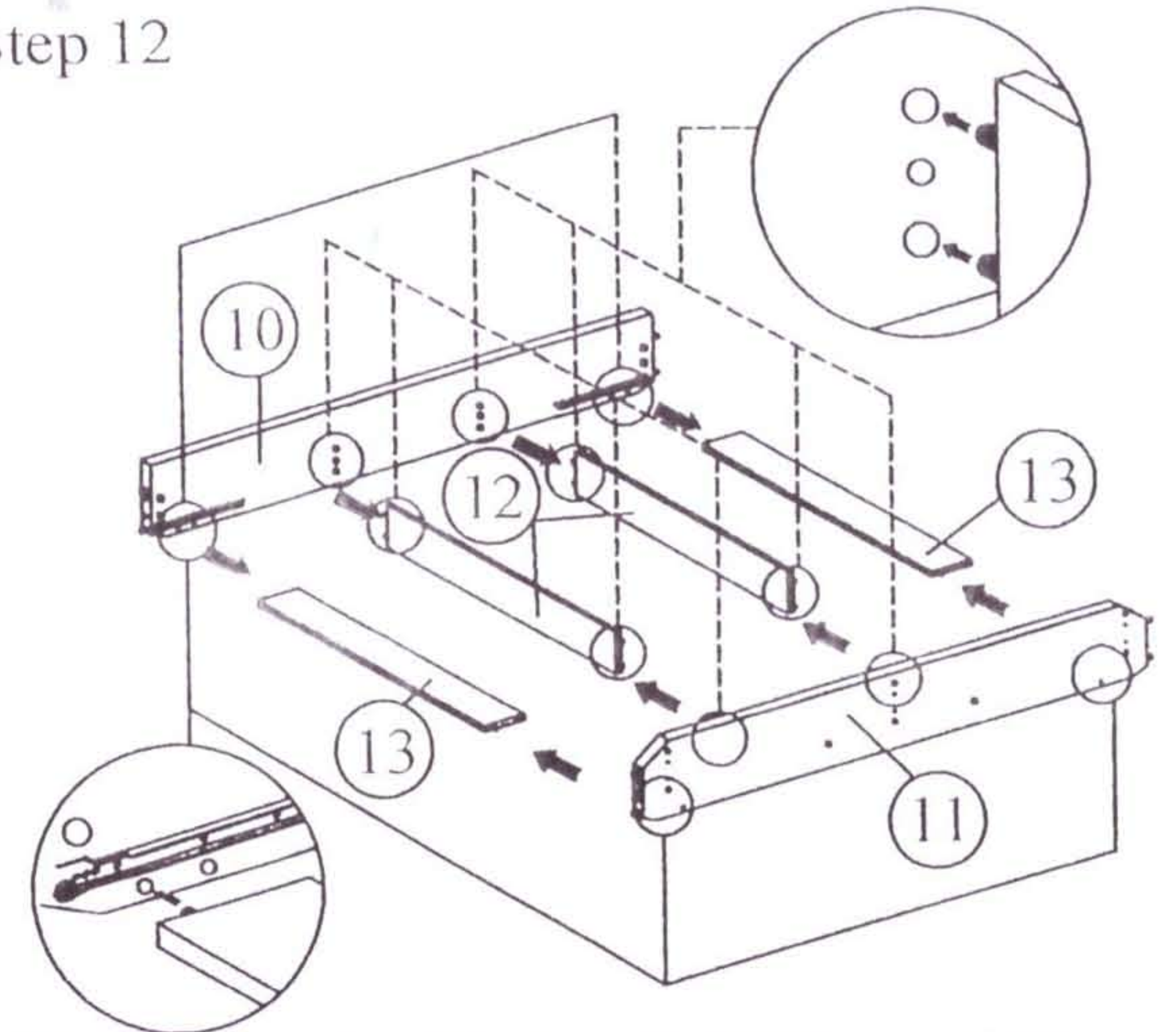
Step 10



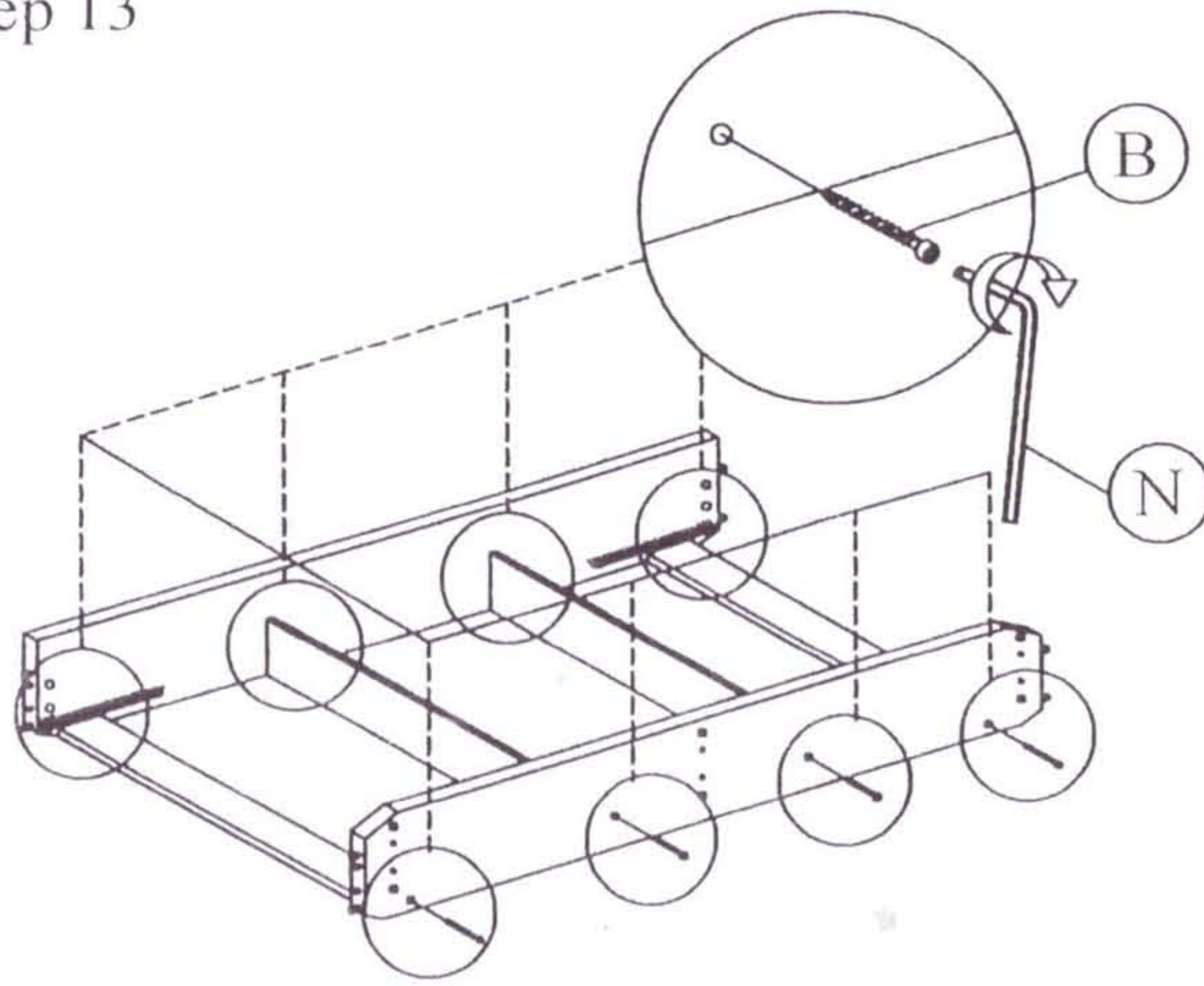
Step 11



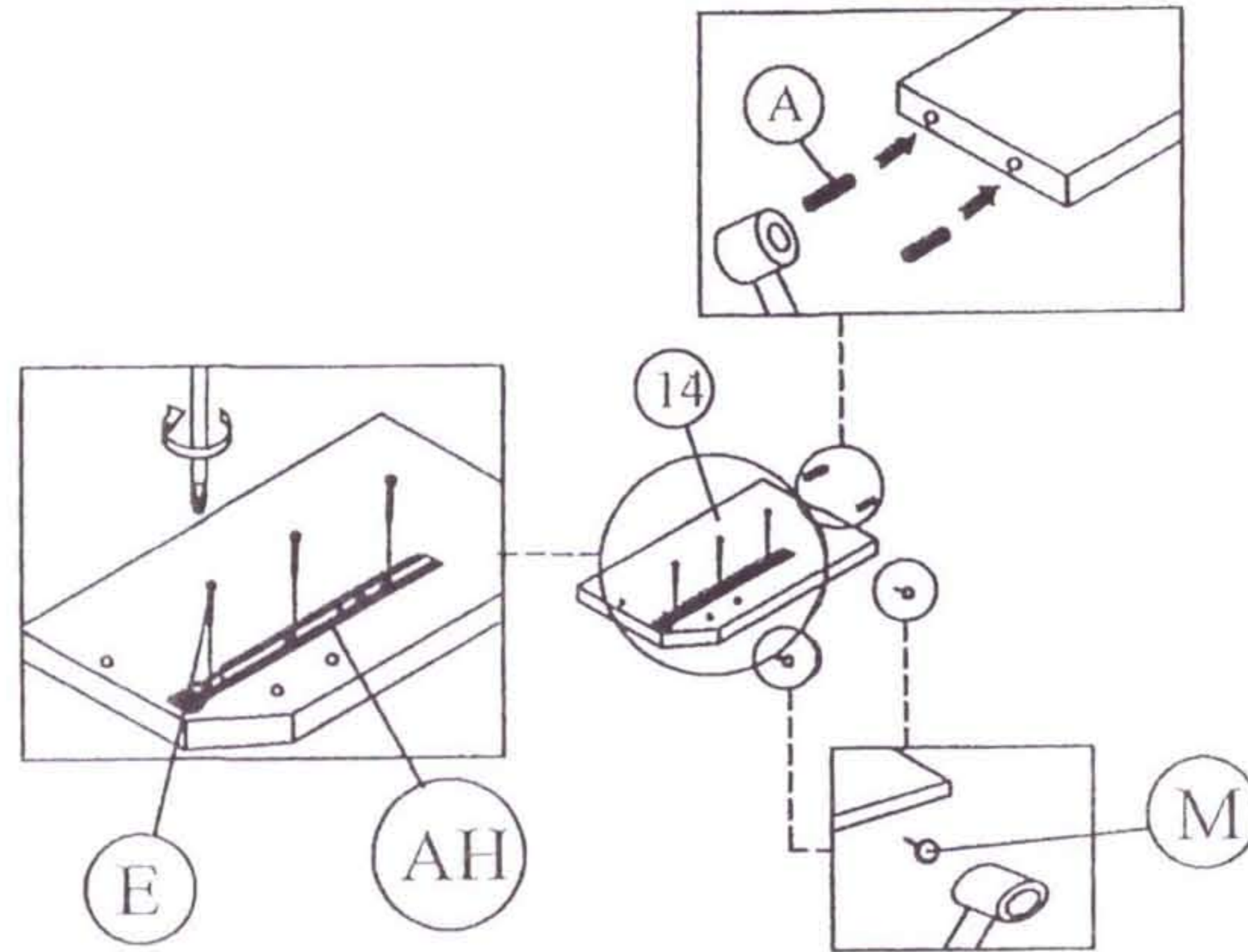
Step 12



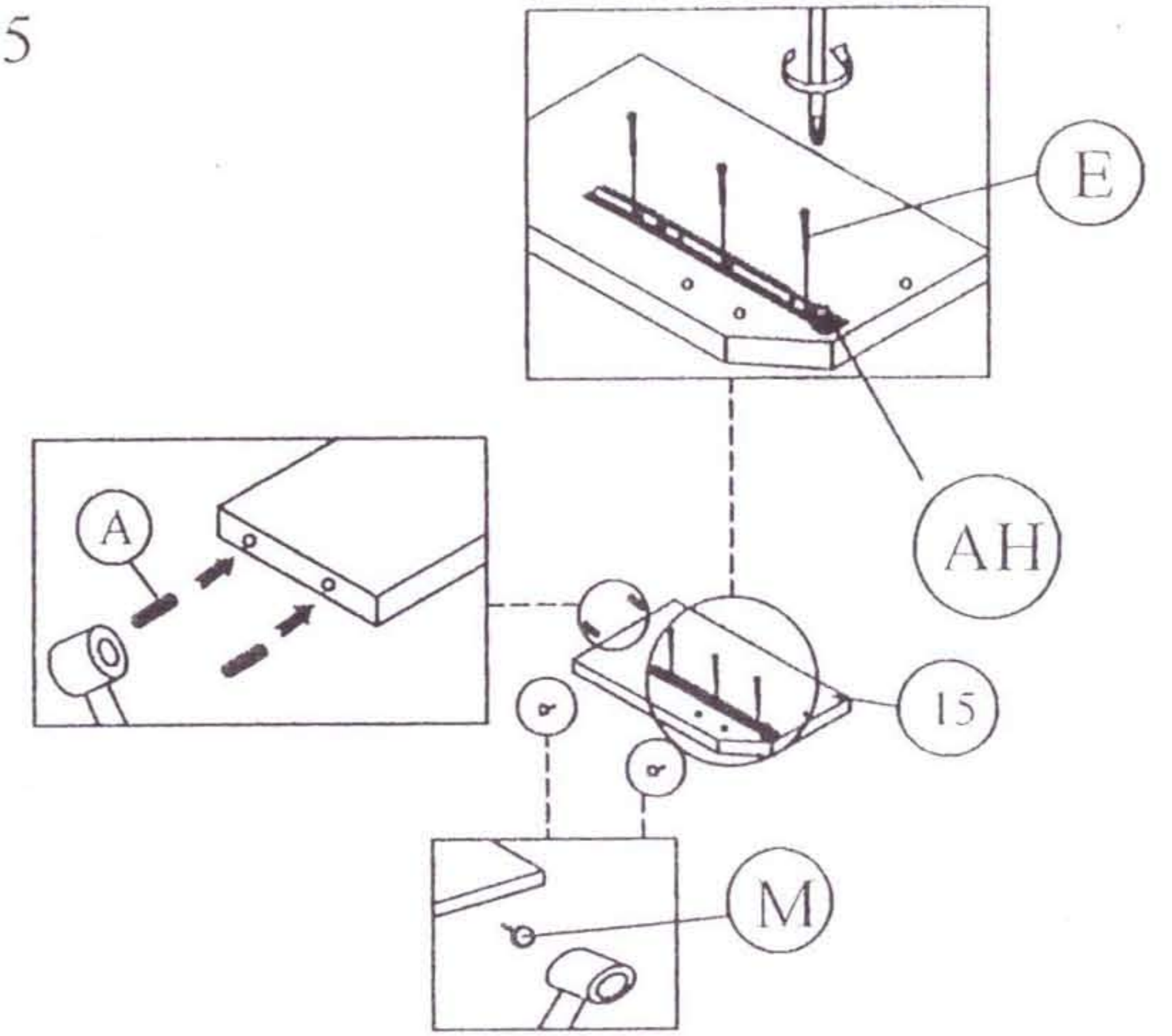
Step 13



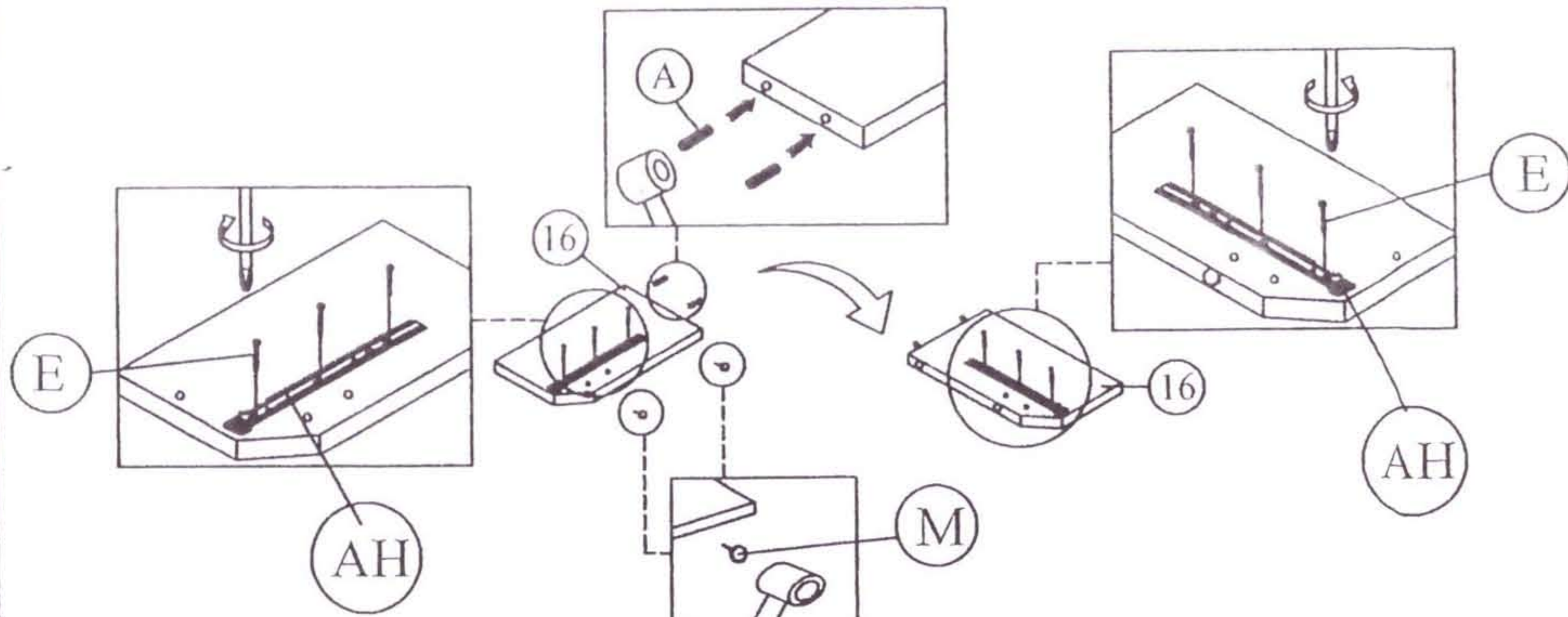
Step 14



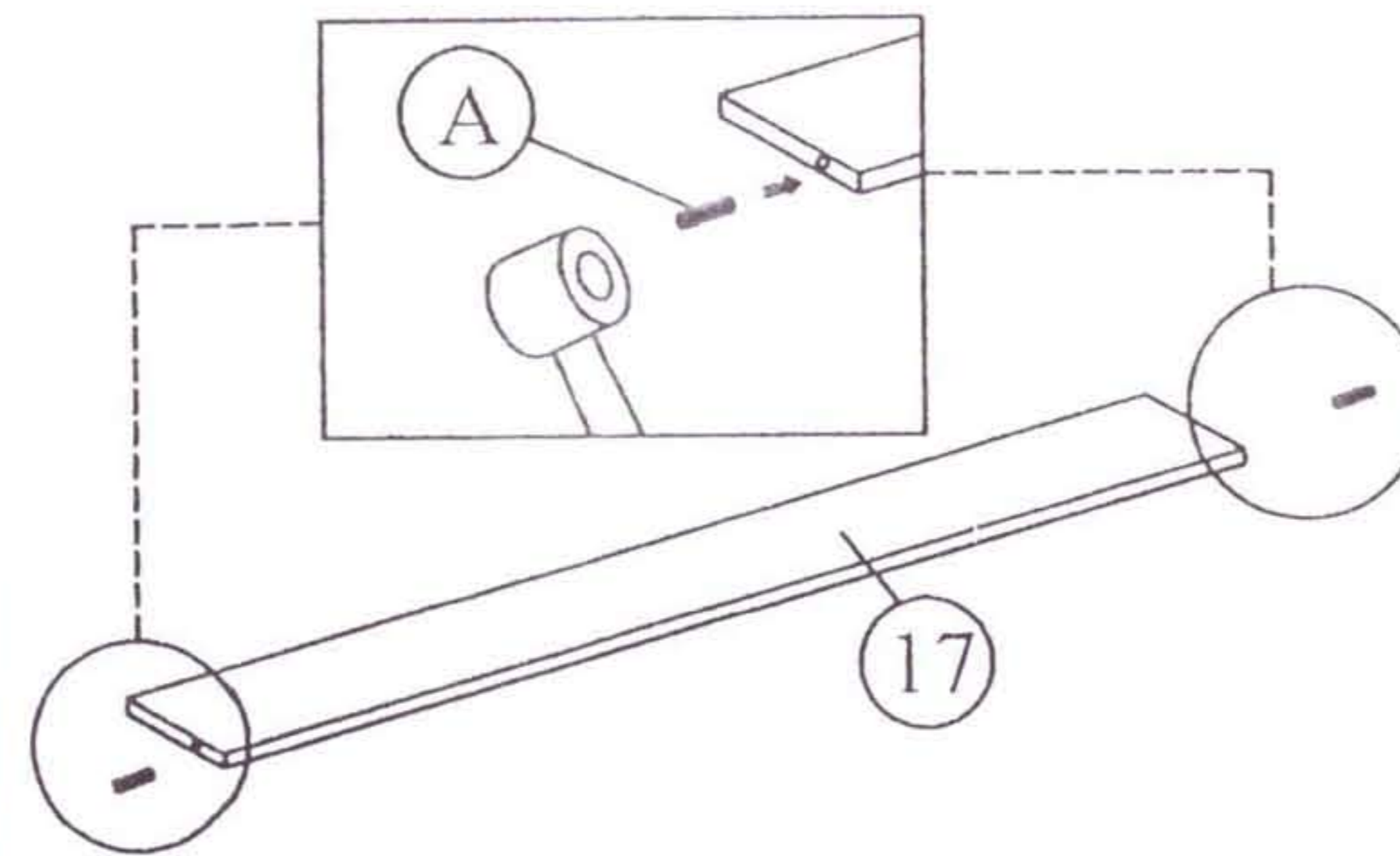
Step 15



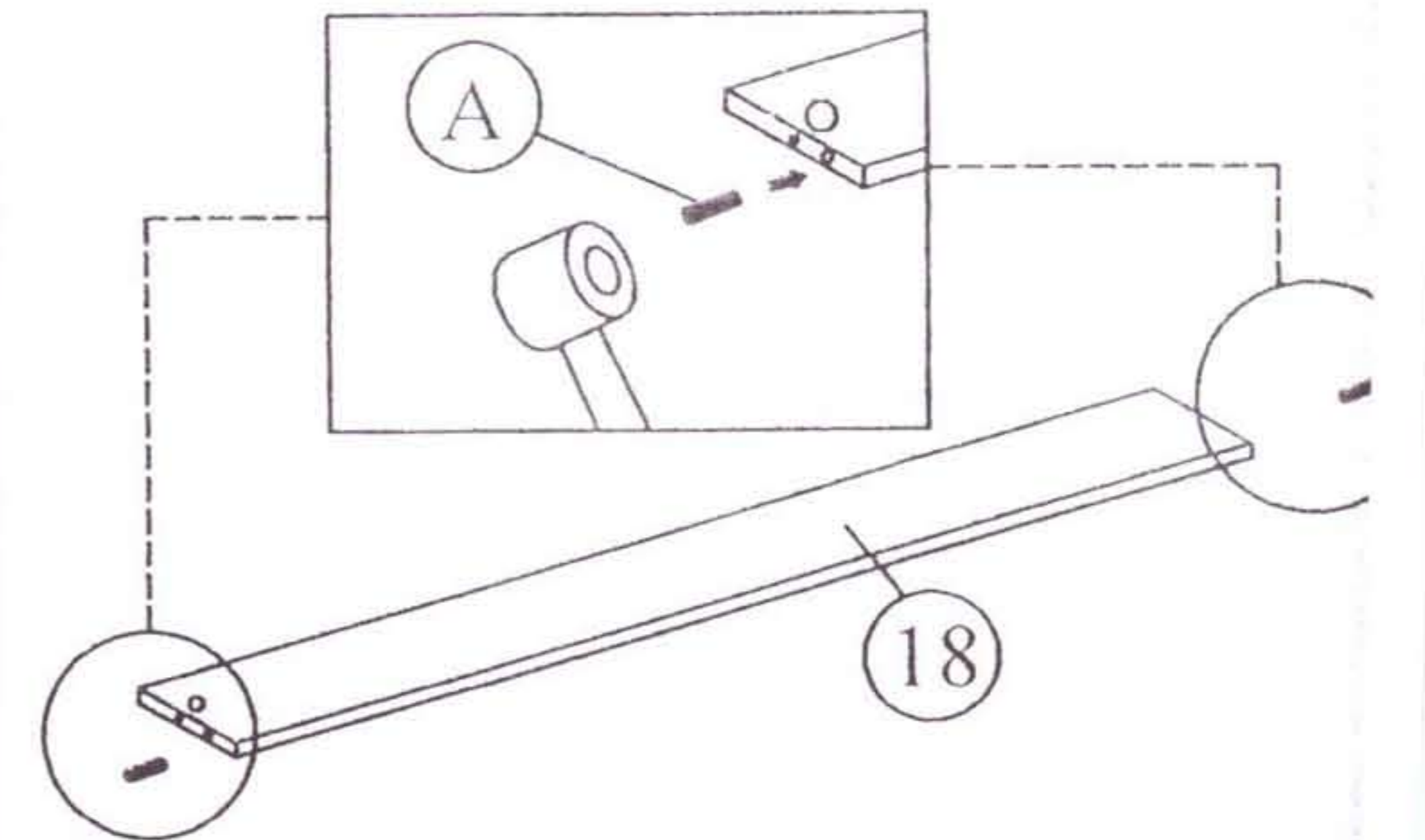
Step 16 Attach AH to 16 and tighten it with D , the flip AH to the other side and repeat the same step.



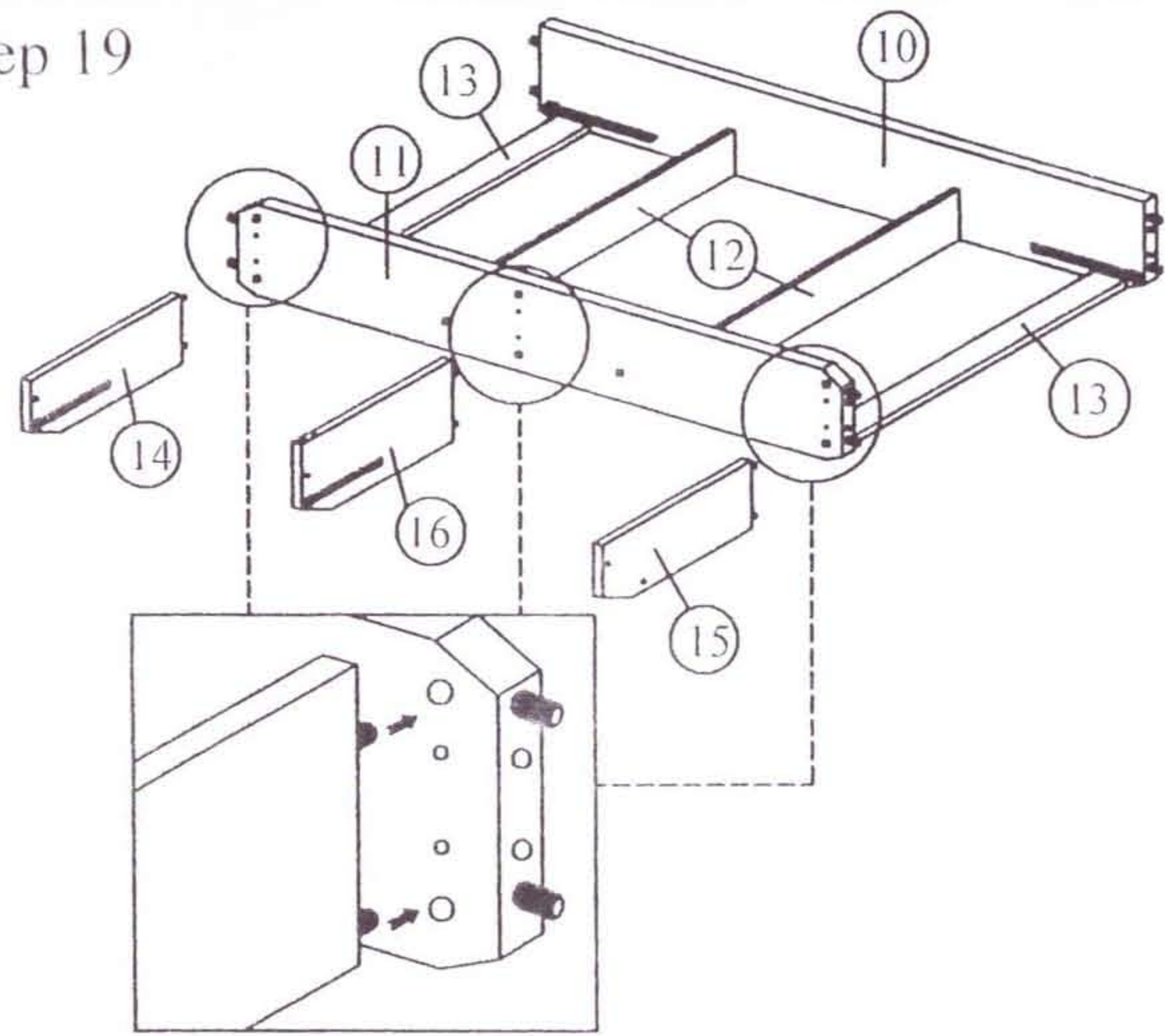
Step 17



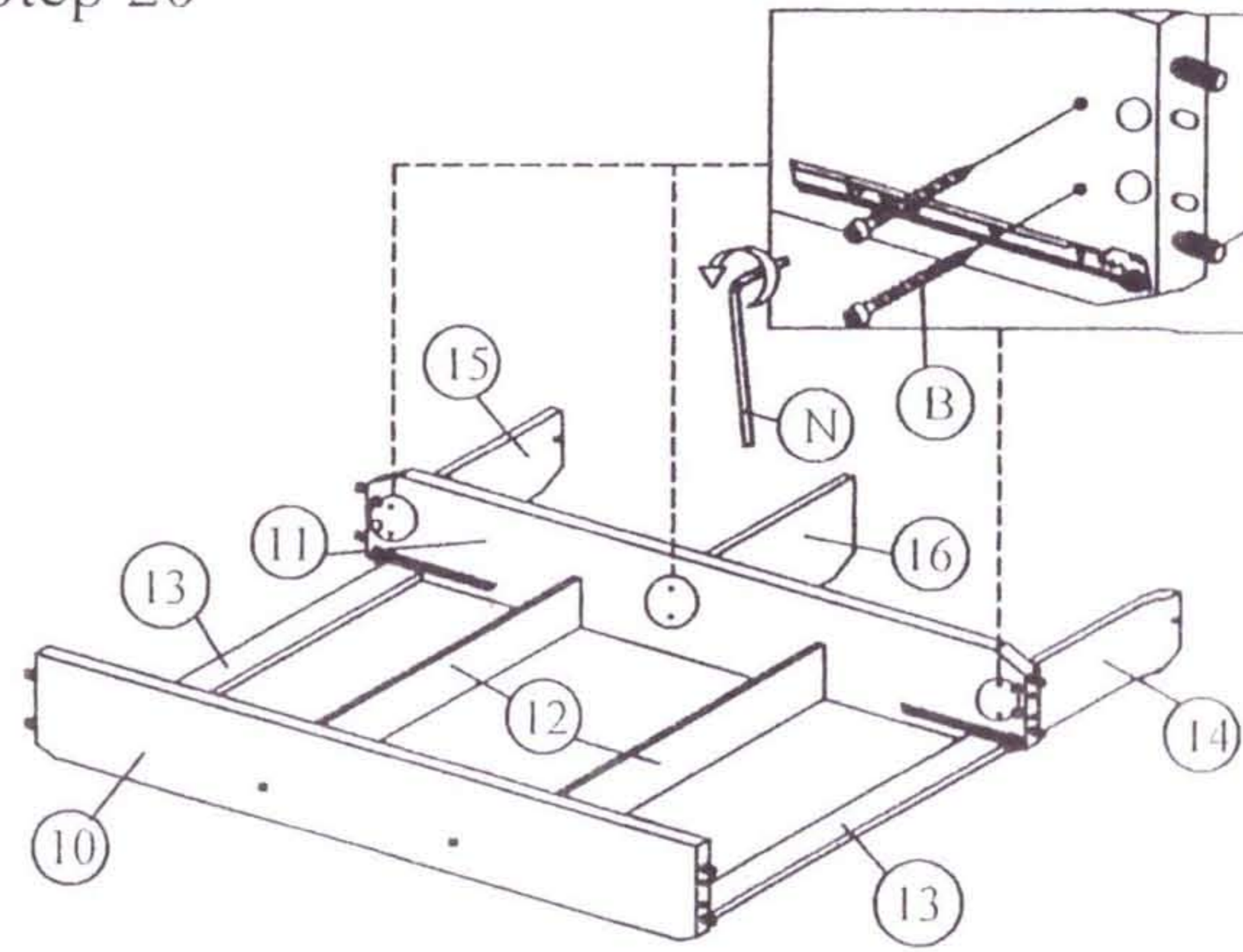
Step 18



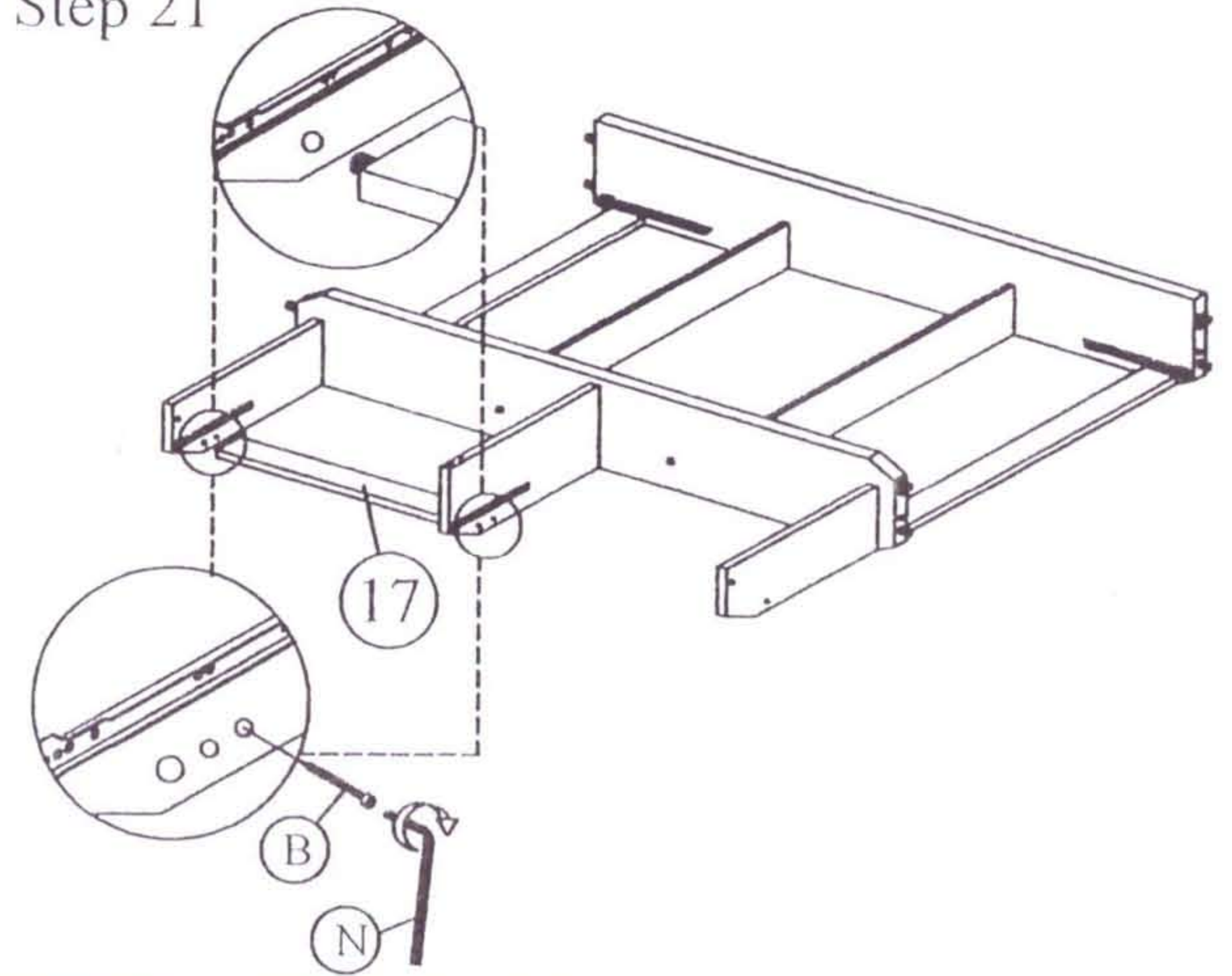
Step 19



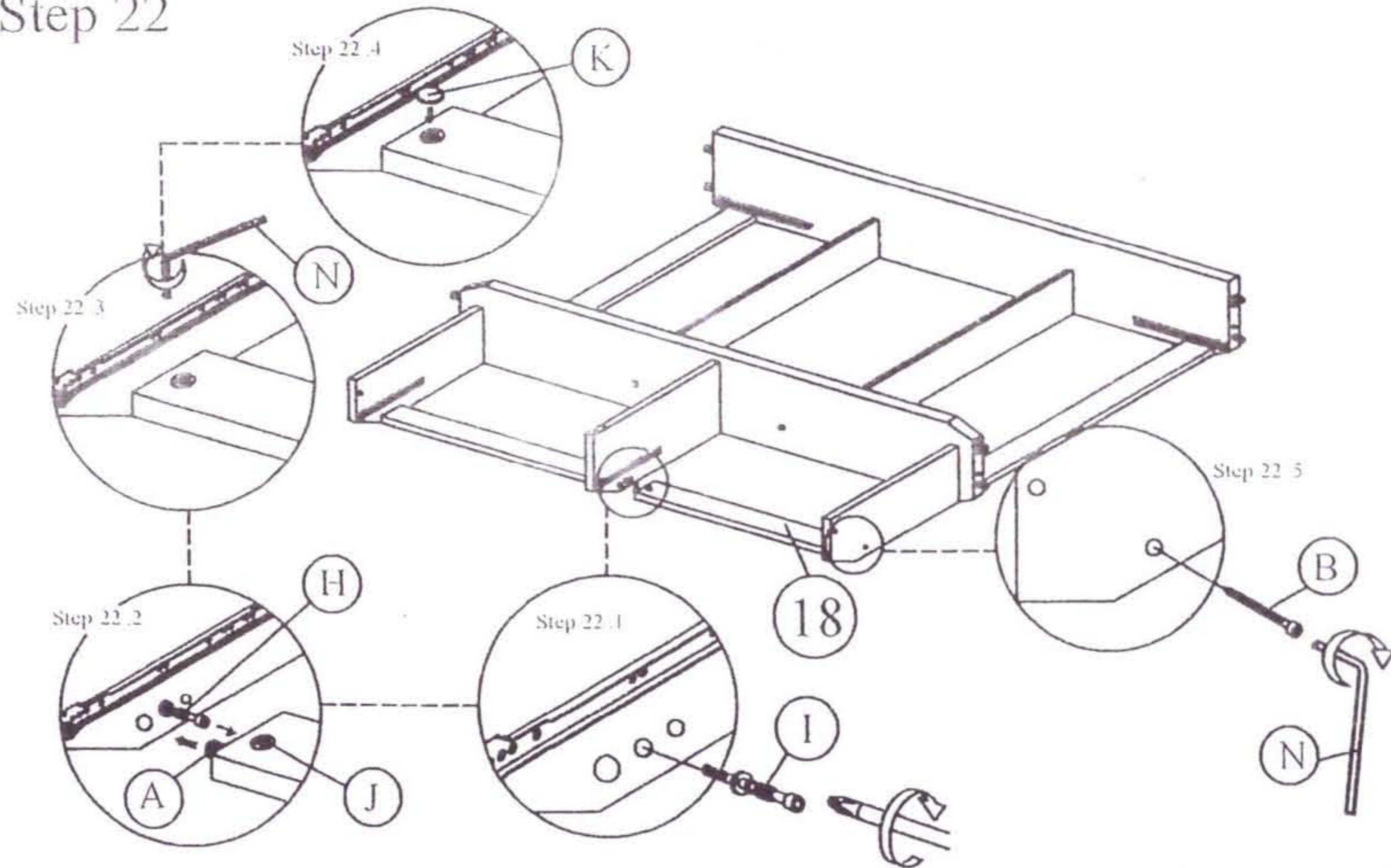
Step 20



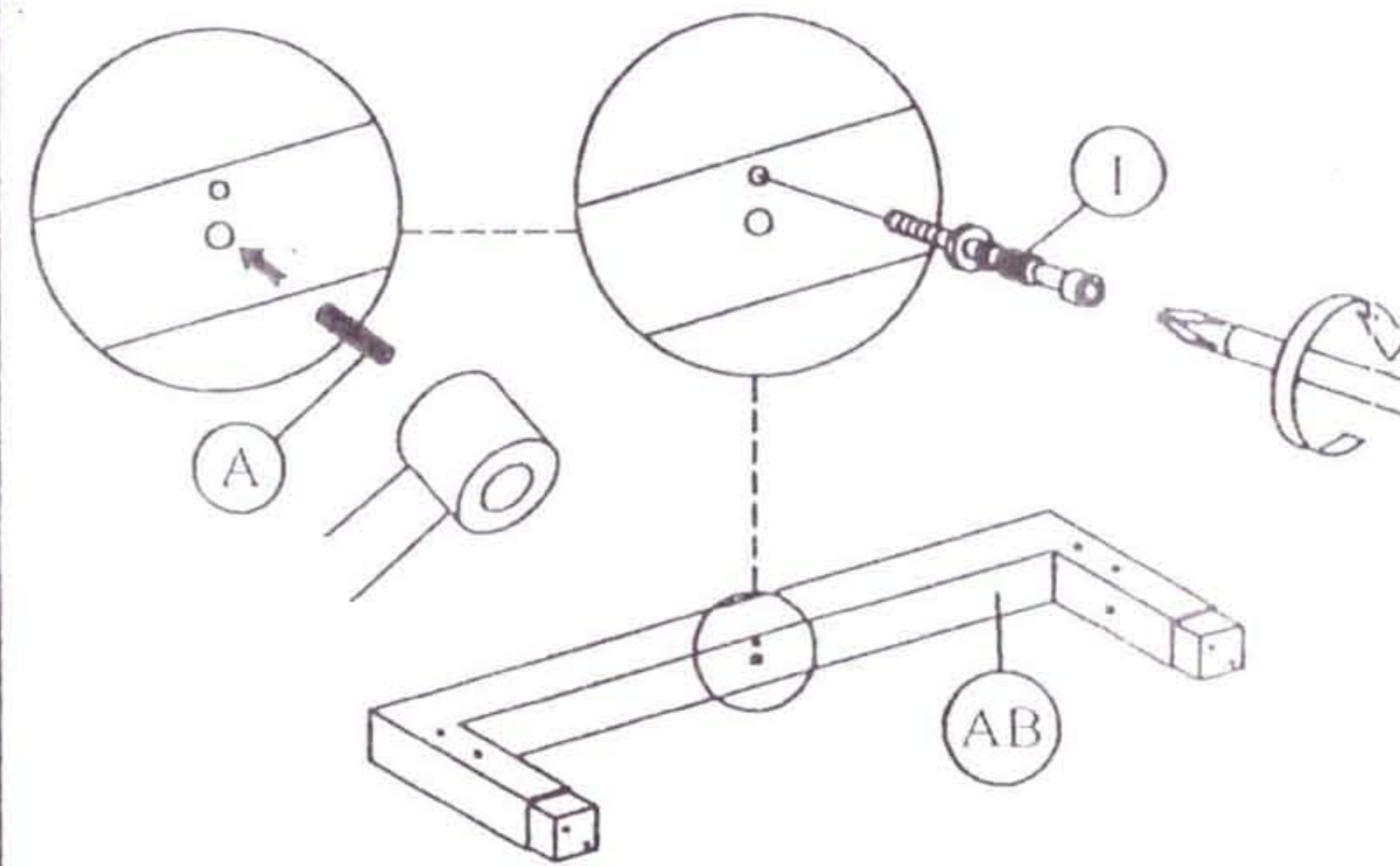
Step 21



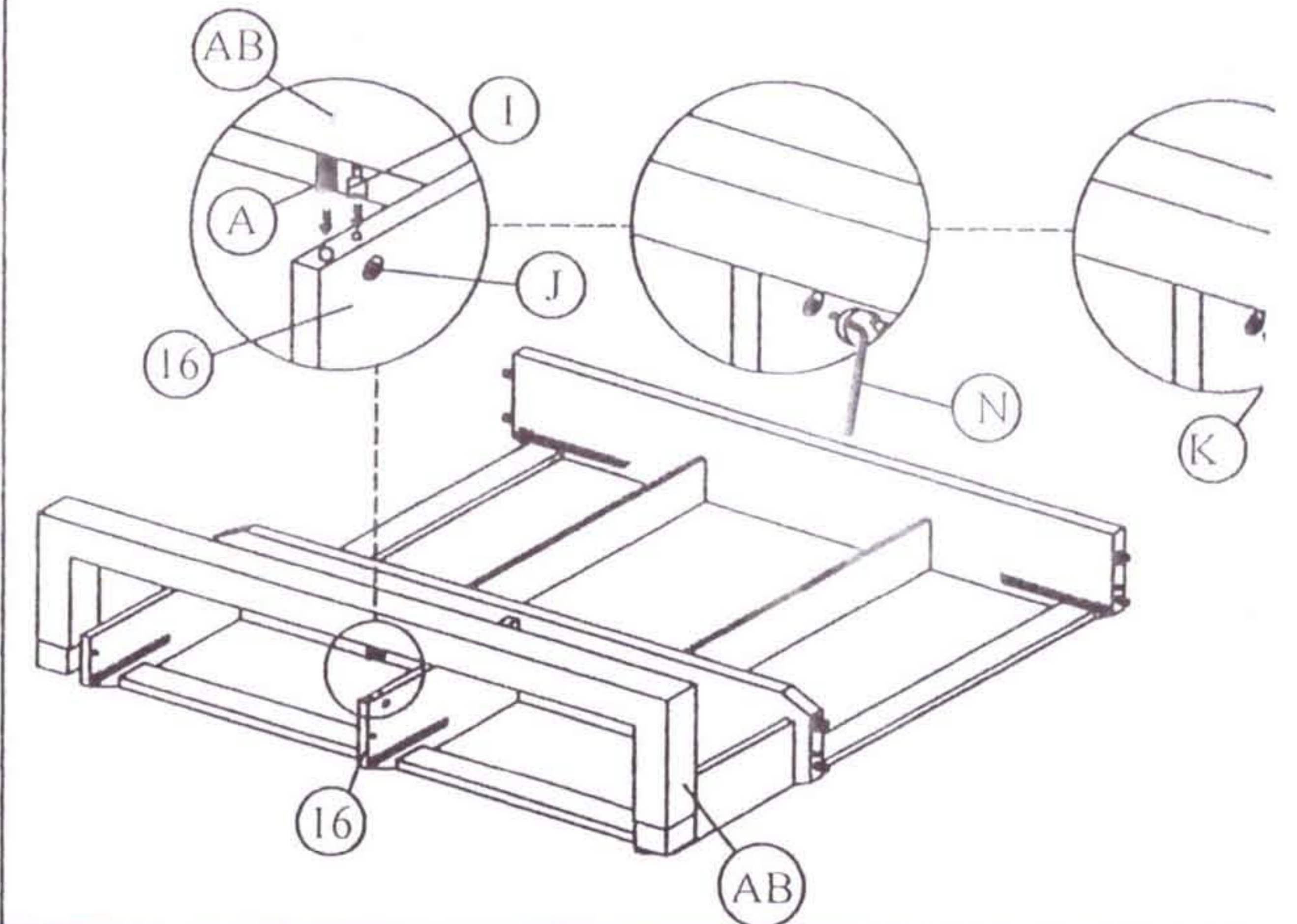
Step 22



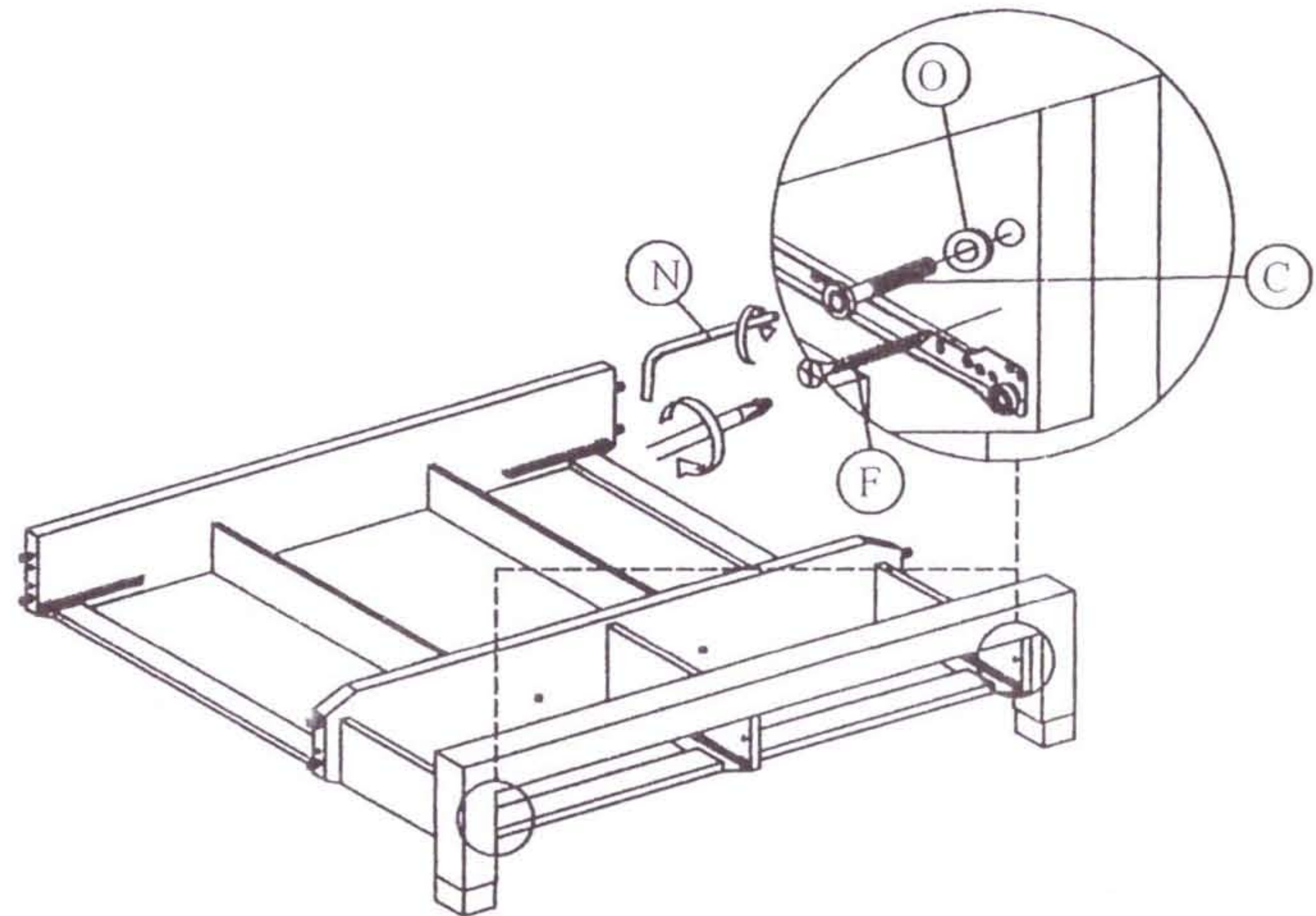
Step 23



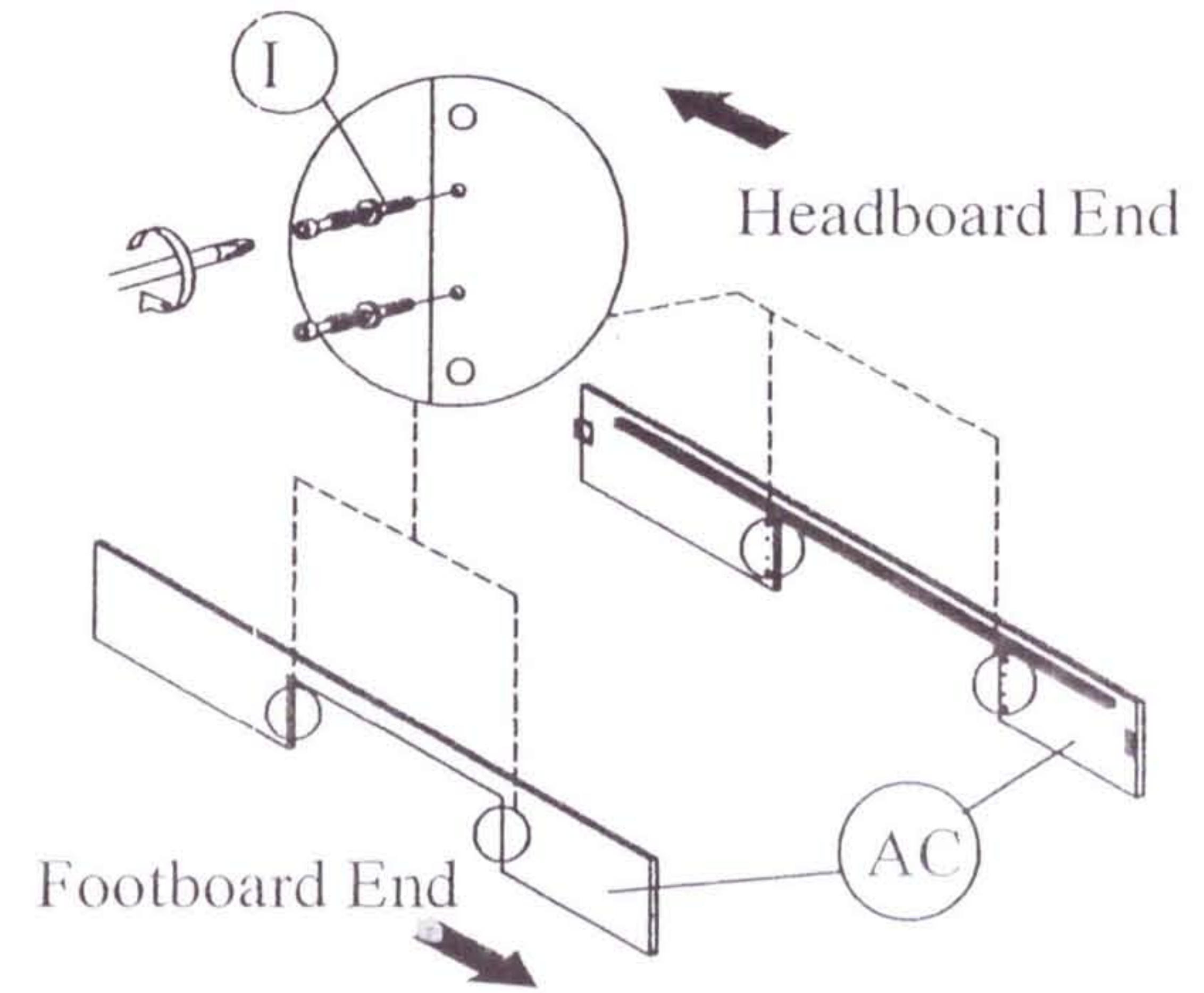
Step 24



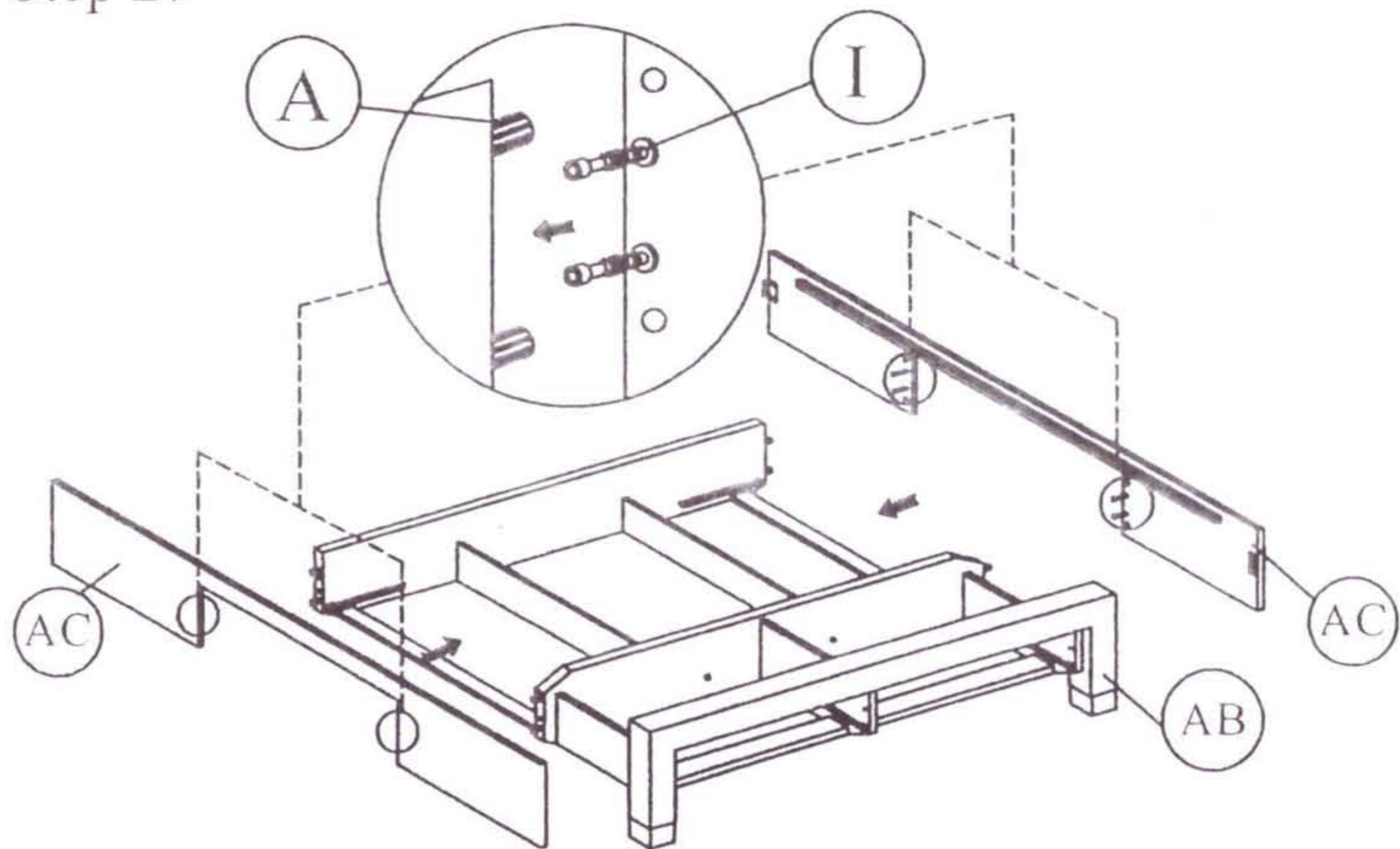
Step 25



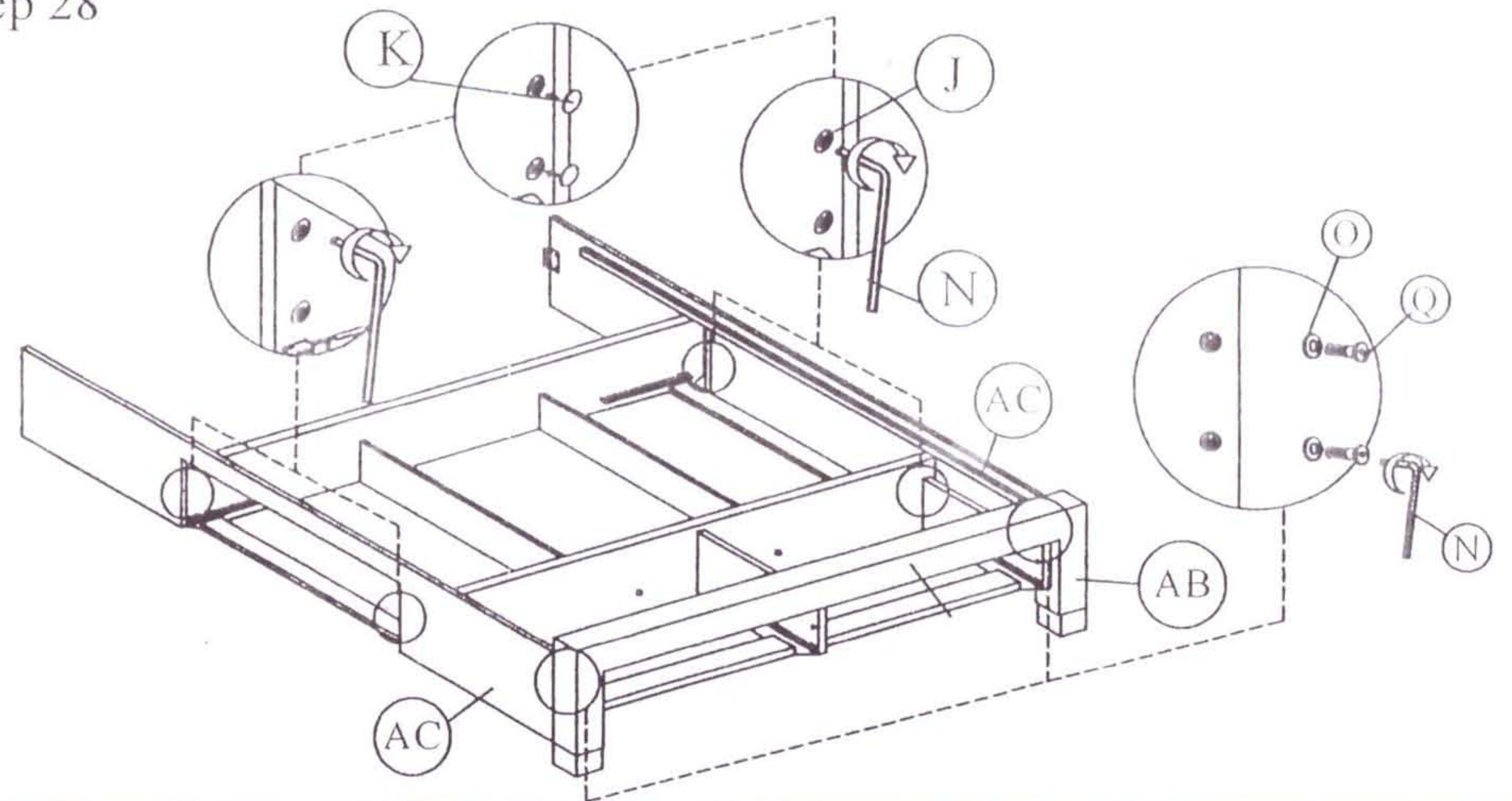
Step 26



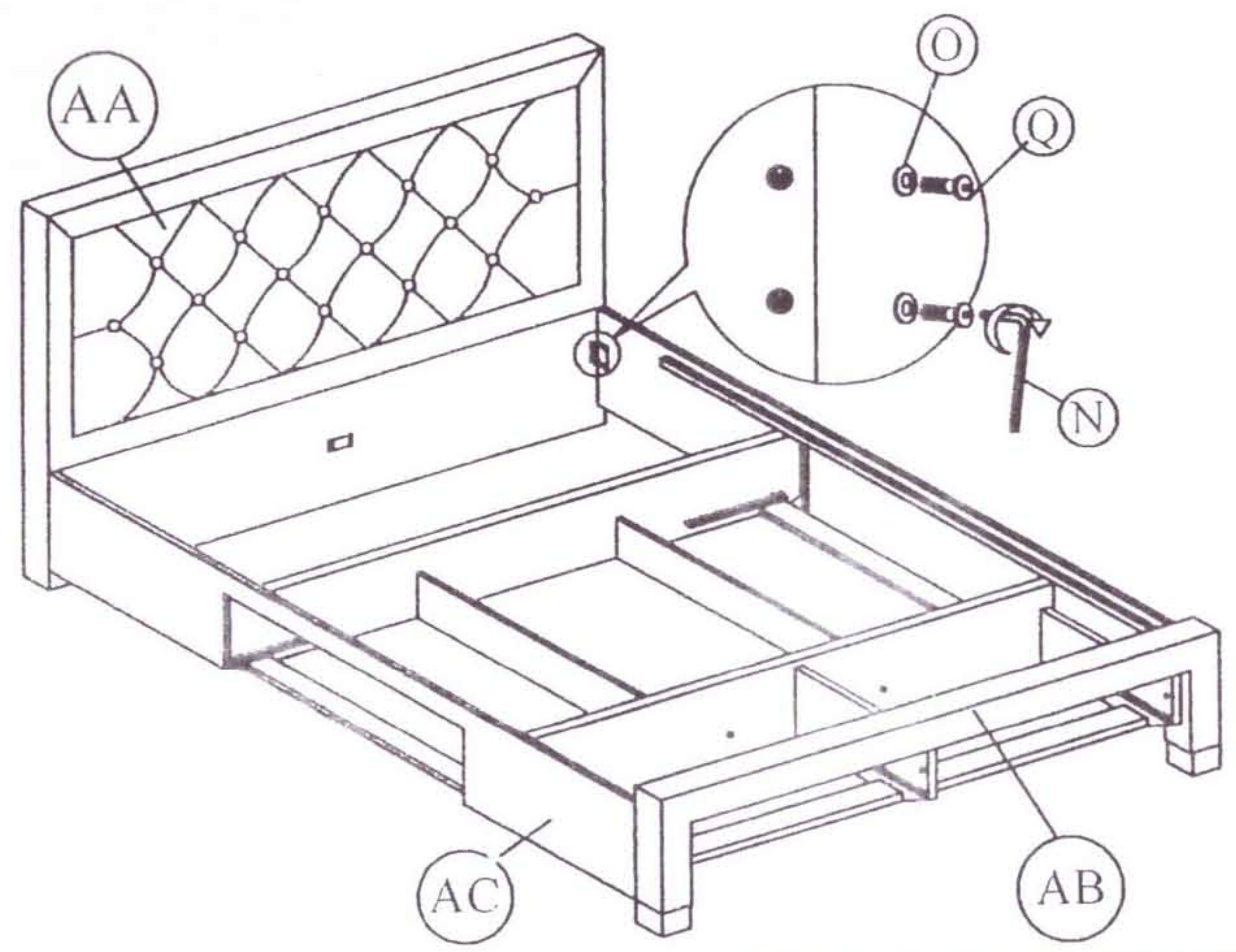
Step 27



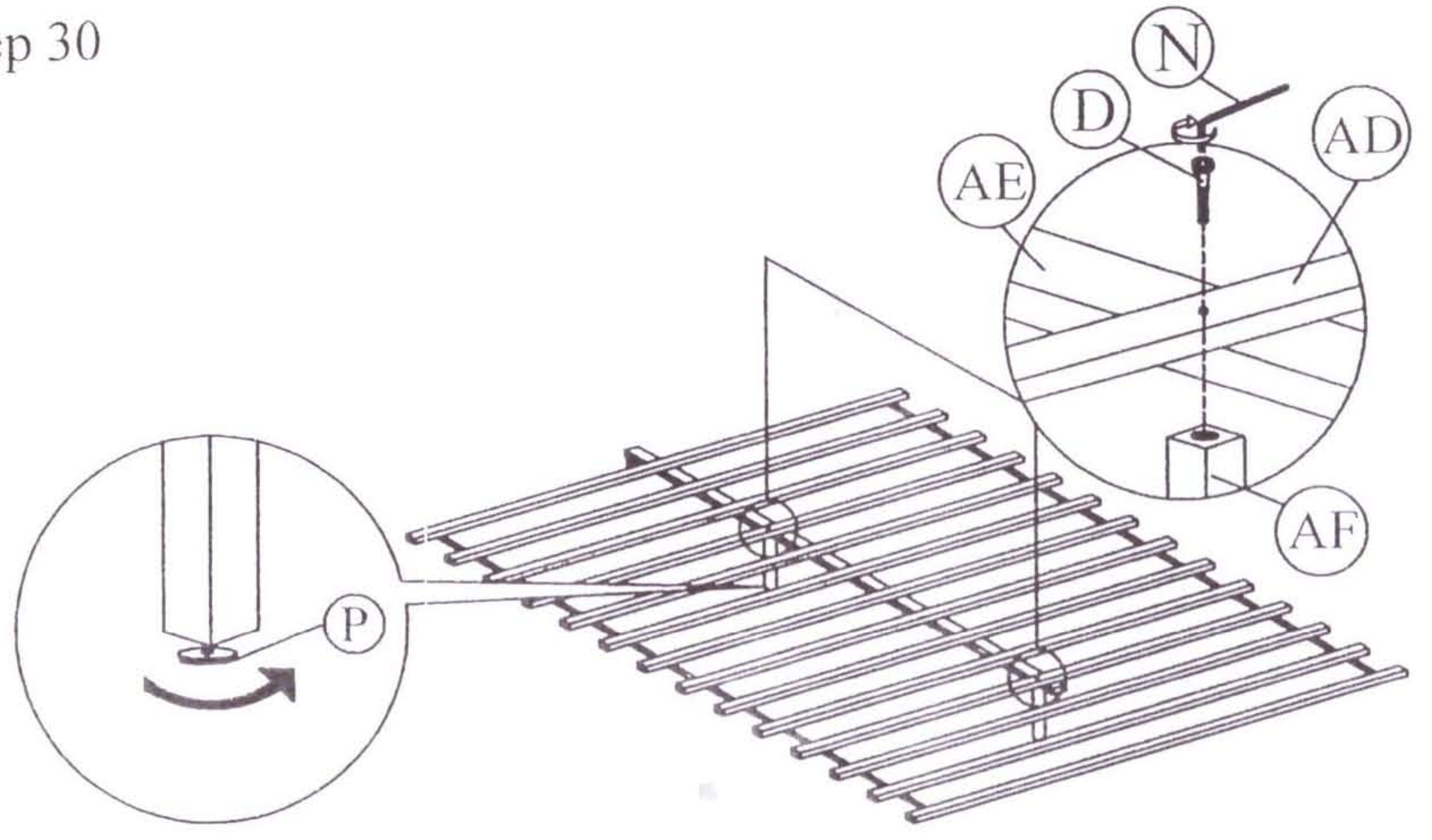
Step 28



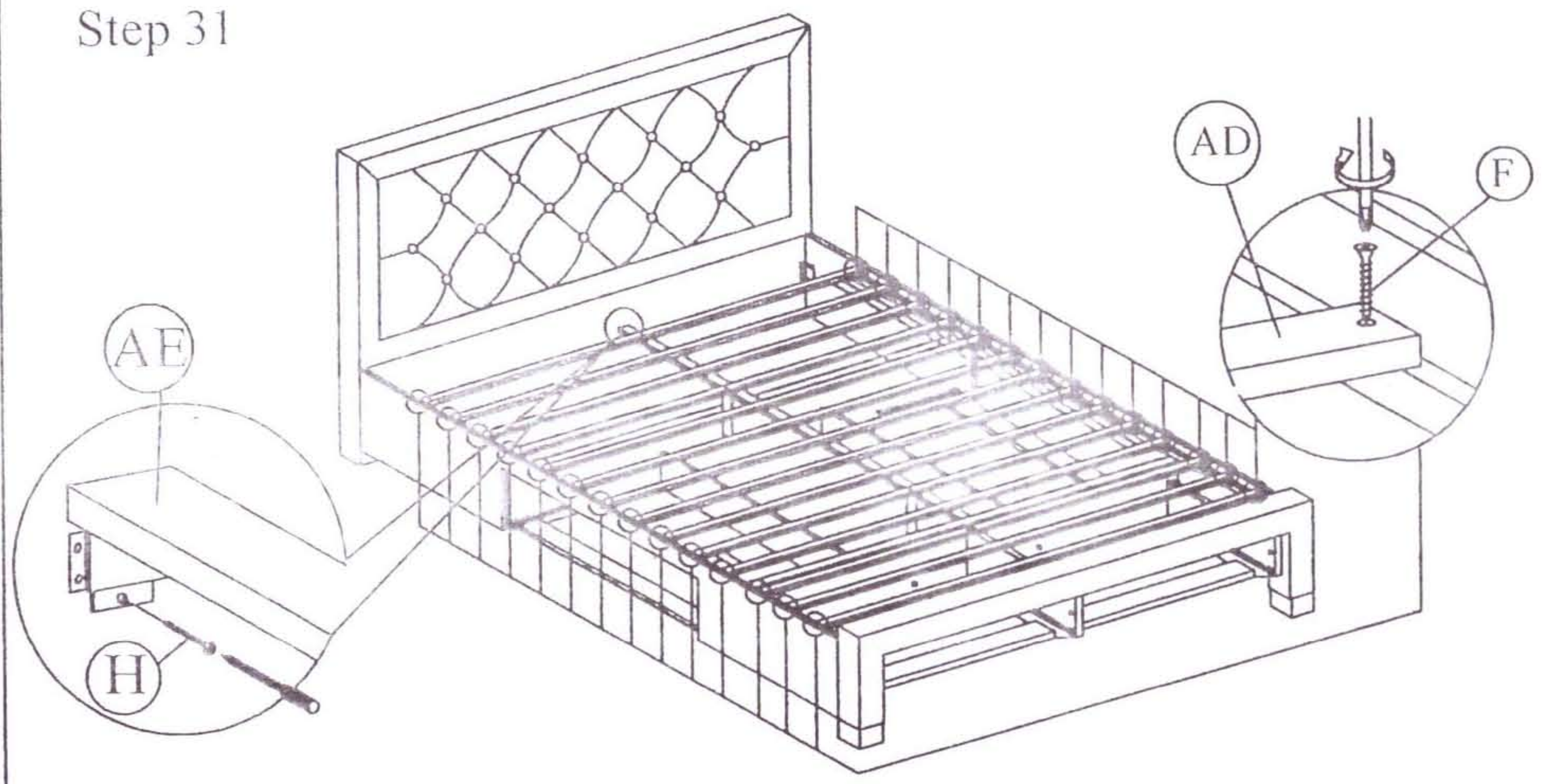
Step 29



Step 30



Step 31



Step 32

